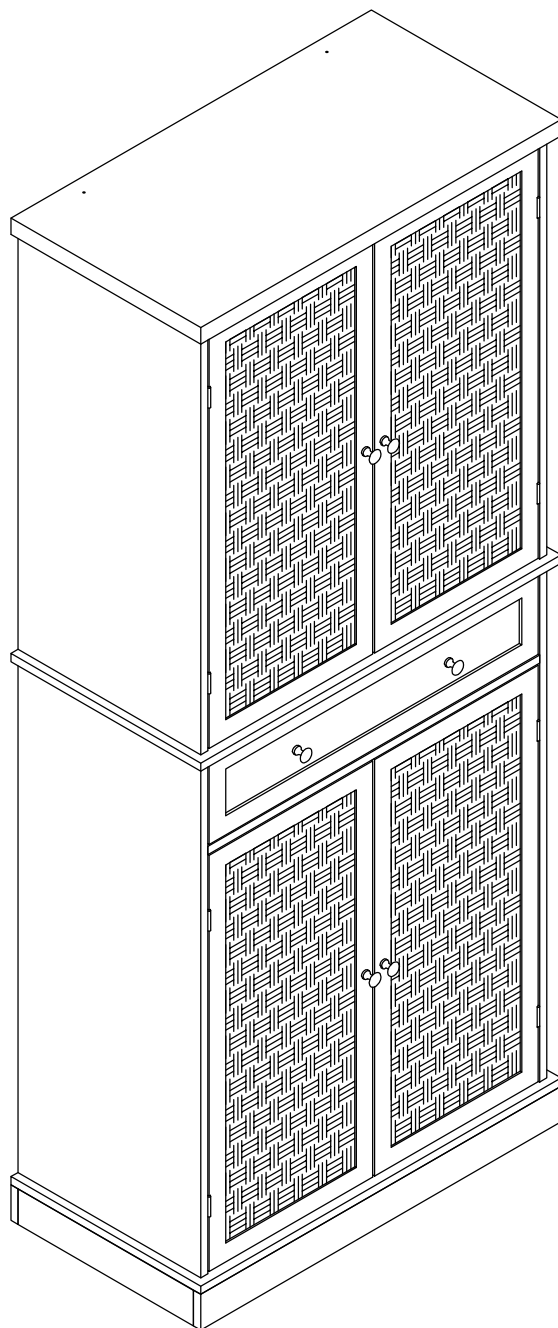


Installation Instruction



Product name

4 Door Cabinet

Ver.1.0 20230329

Assembling

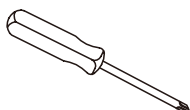
Estimated time for assembly



45:00

What you need

- Use the packaging carton as a working surface to prevent product damage during assembly
- Phillips head screwdriver



Weight Limitation



30 | 11 | 11
lbs table top | lbs per drawer | lbs per shelf

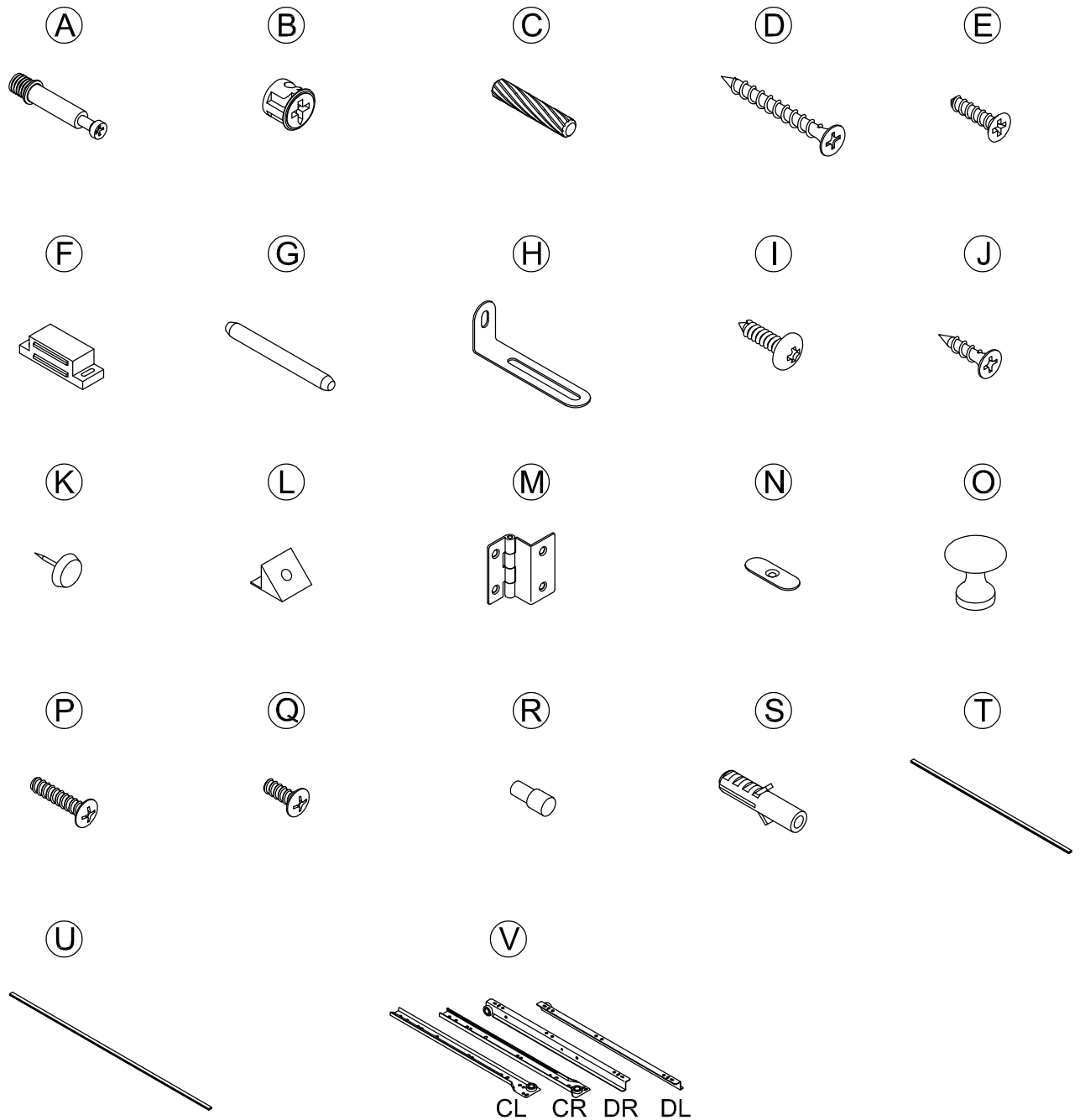


2 PERSONS

What's included

Code	Description	Qty
A	Cam Bolt M6X35MM	31
B	Cam Lock 15X10MM	31
C	Wooden Dowel M8X30MM	14
D	Screw M4X35MM	15
E	Screw M3X14MM	16
F	Magnetic Door Catcher	4
G	Wooden Dowel M8X50MM	4
H	Metal Plate	2
I	Screw M4X12MM	2
J	Screw M3X12MM	52
K	Plastic Foot Nail	4
L	Plastic Corner Support	8
M	Hinge	8
N	Metal Plate	8
O	Handle	6
P	Bolt M4X20MM	4
Q	Bolt M4X10MM	2
R	Metal Support	16
S	Anchor	2
T	Plastic Strip 680MM	1
U	Plastic Strip 860MM	1
V	Slide sets	1

The Hardwares



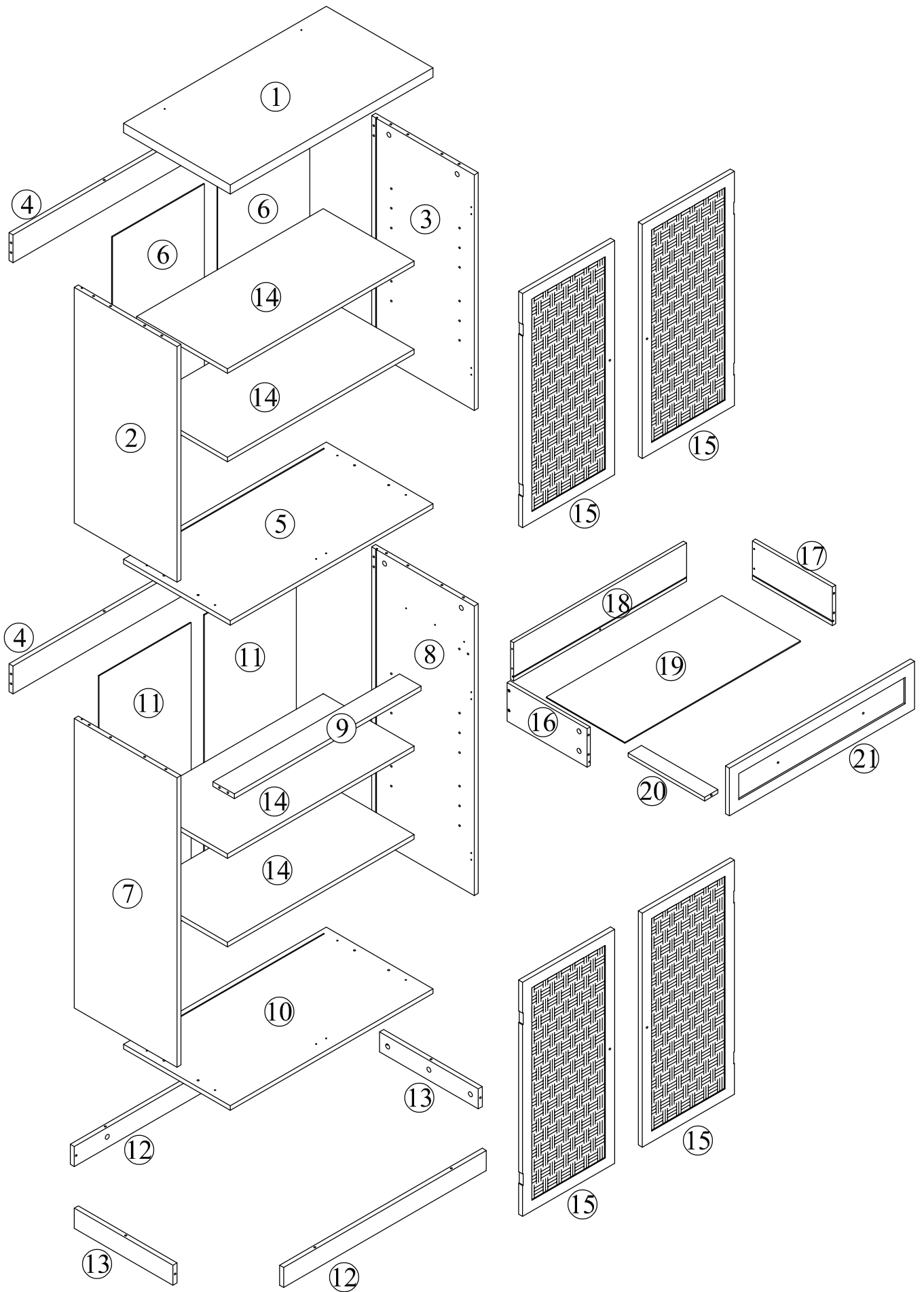
IMPORTANT:

1. Do not tighten bolts / screws completely until all bolts / screws are lined up and inserted into holes.
2. Do not over tighten screws and bolts to avoid stripping.
3. Please use hand tools to assemble this product. Do not use power tools.
4. Must need 2 people to assemble this product.

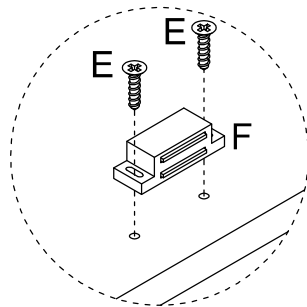
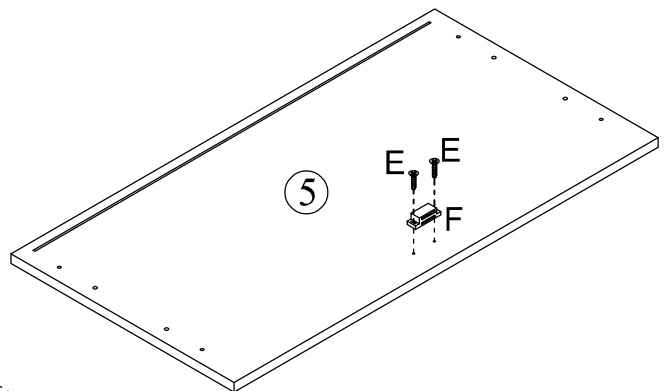
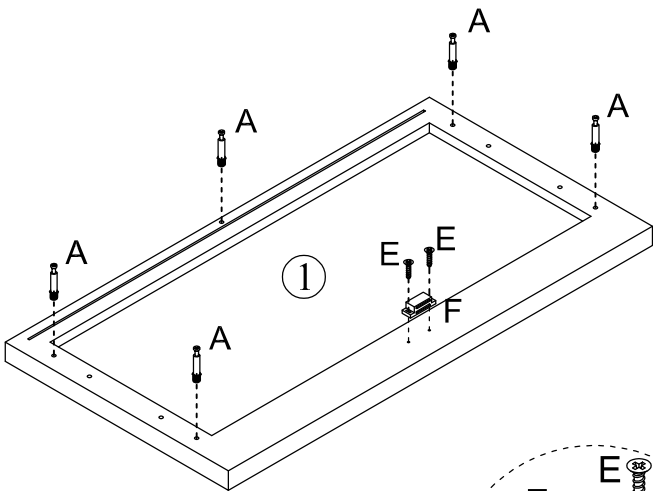
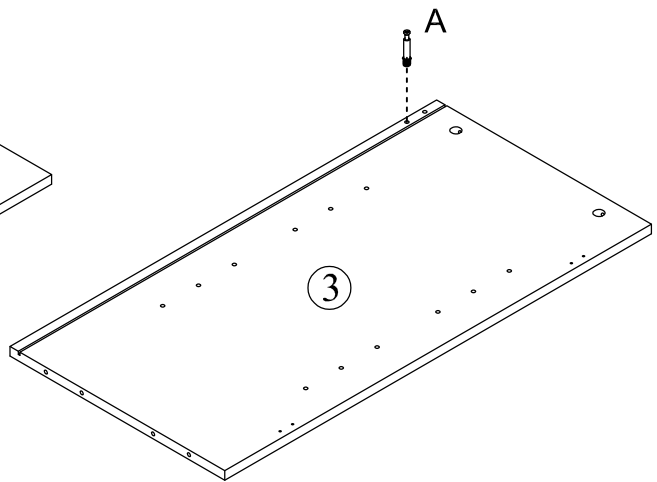
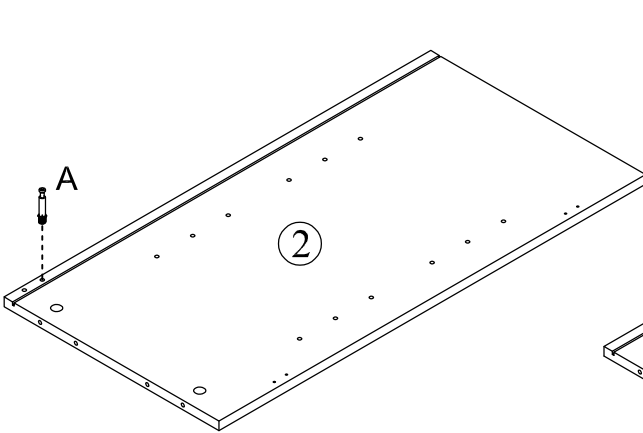
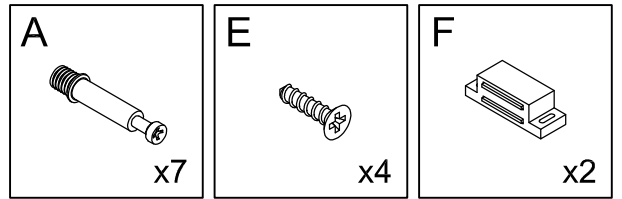


Included Accessories

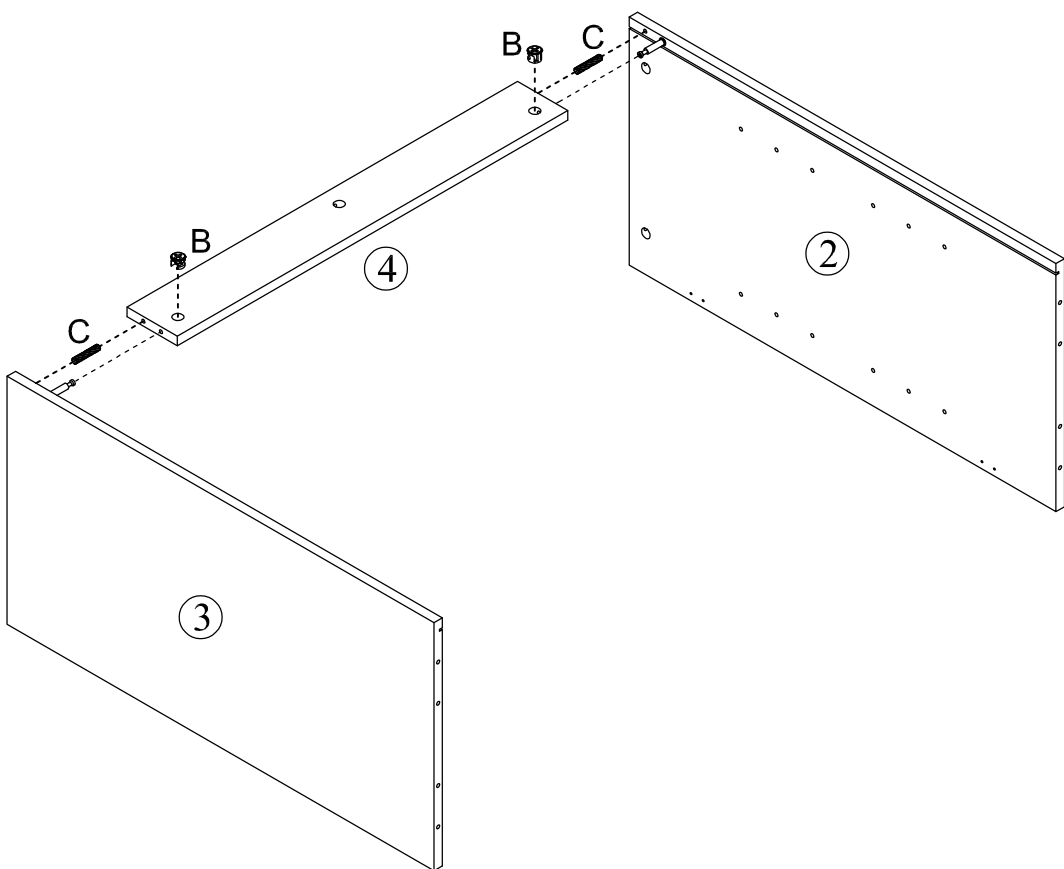
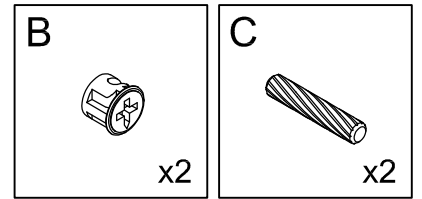
Code	Description	Qty
1	Cabinet Top	1
2	Upper Left Side Panel	1
3	Upper Right Side Panel	1
4	Back Support Panel	2
5	Upper Bottom Panel	1
6	Upper Back Panel	2
7	Bottom Left Side Panel	1
8	Bottom Right Side Panel	1
9	Bottom Top Support Panel	1
10	Bottom Panel	1
11	Bottom Back Panel	2
12	Bottom Long Panel	2
13	Bottom Short Panel	2
14	Shelf	4
15	Door	4
16	Drawer Left Side Panel	1
17	Drawer Right Side Panel	1
18	Drawer Back Panel	1
19	Drawer Bottom Panel	1
20	Drawer Support Panel	1
21	Drawer Front Panel	1



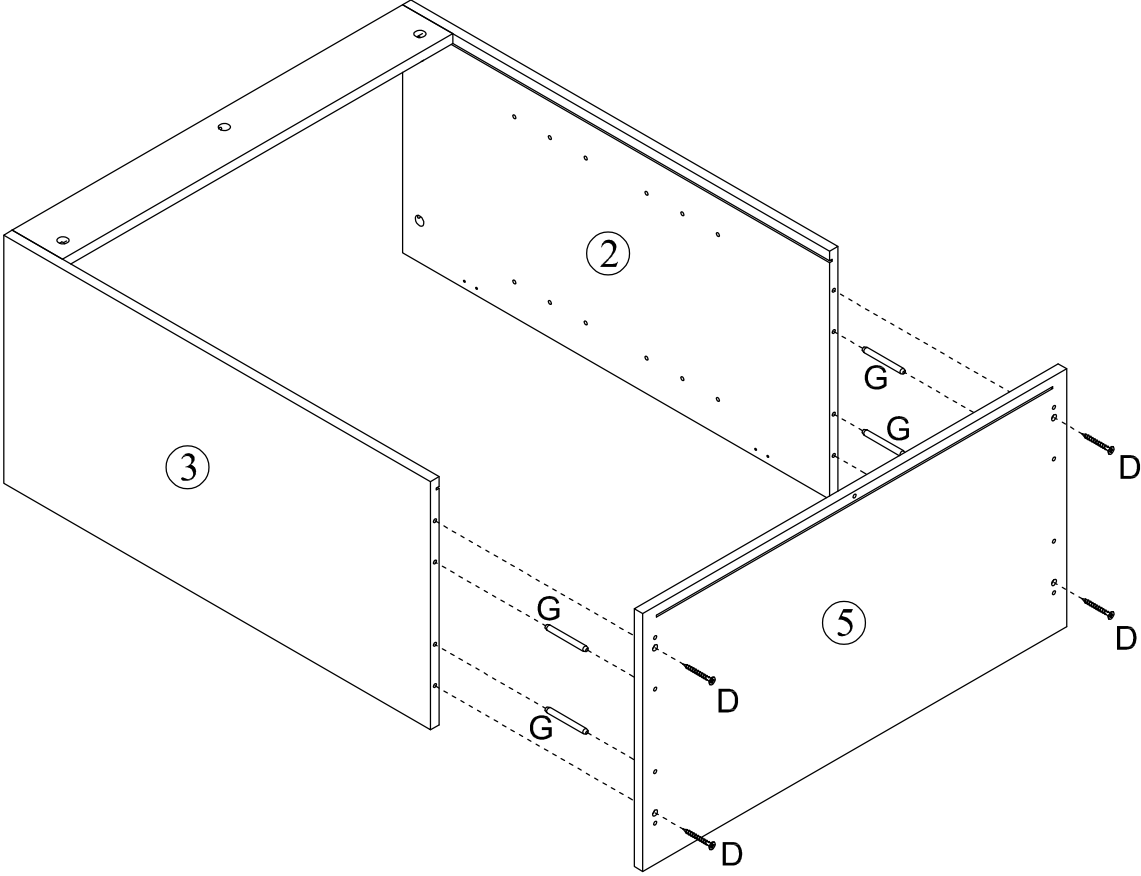
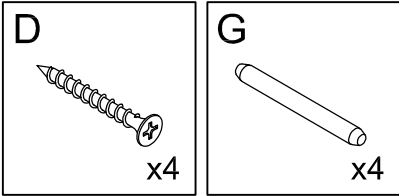
STEP 1



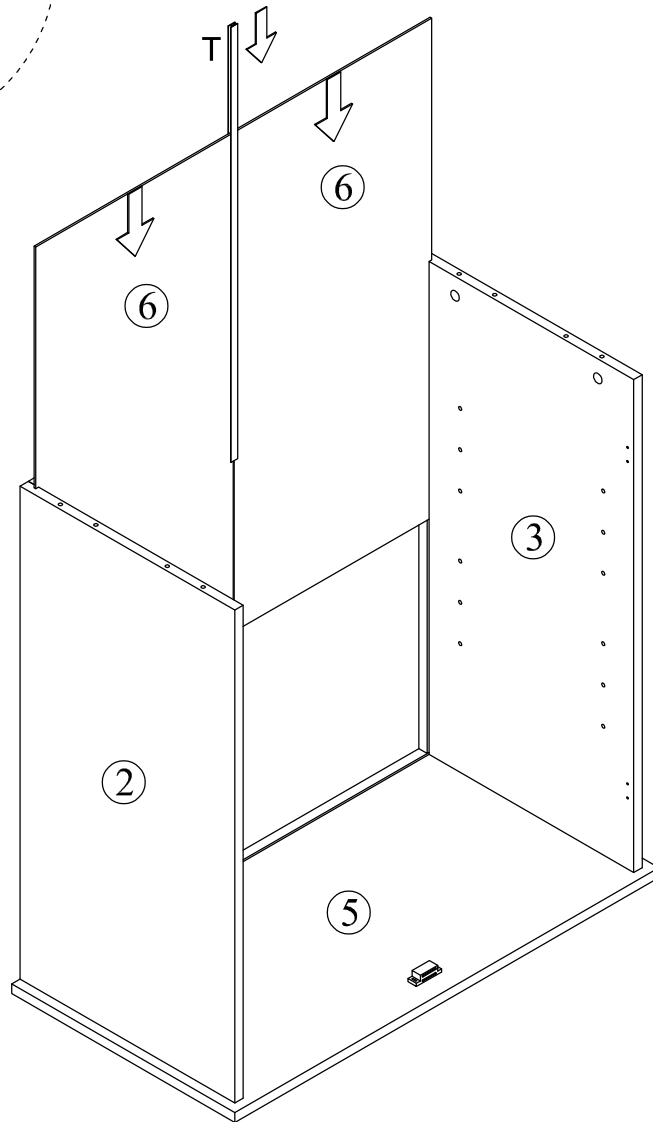
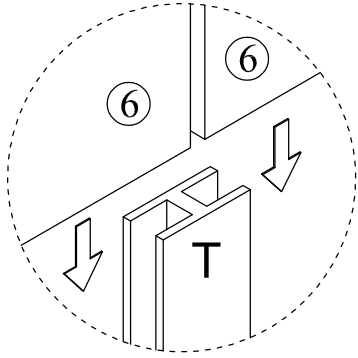
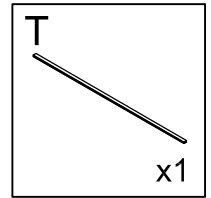
STEP 2



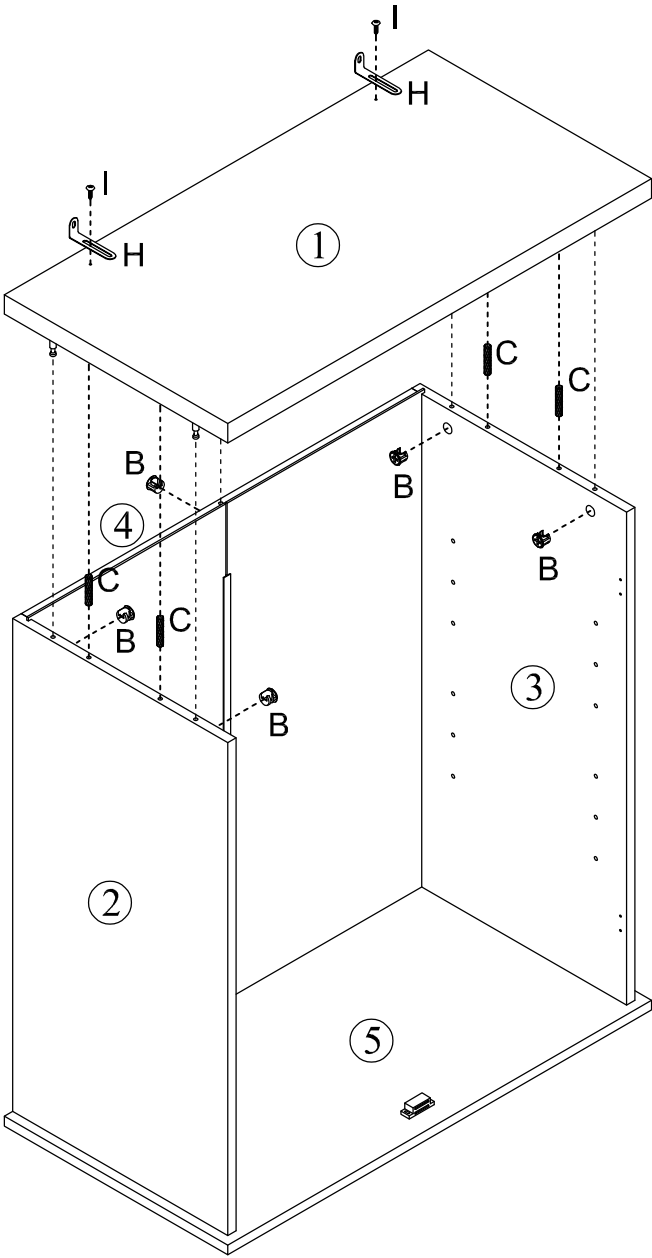
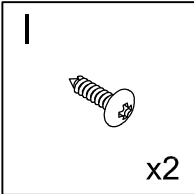
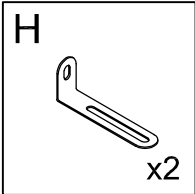
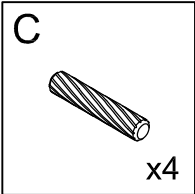
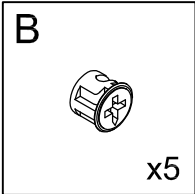
STEP 3



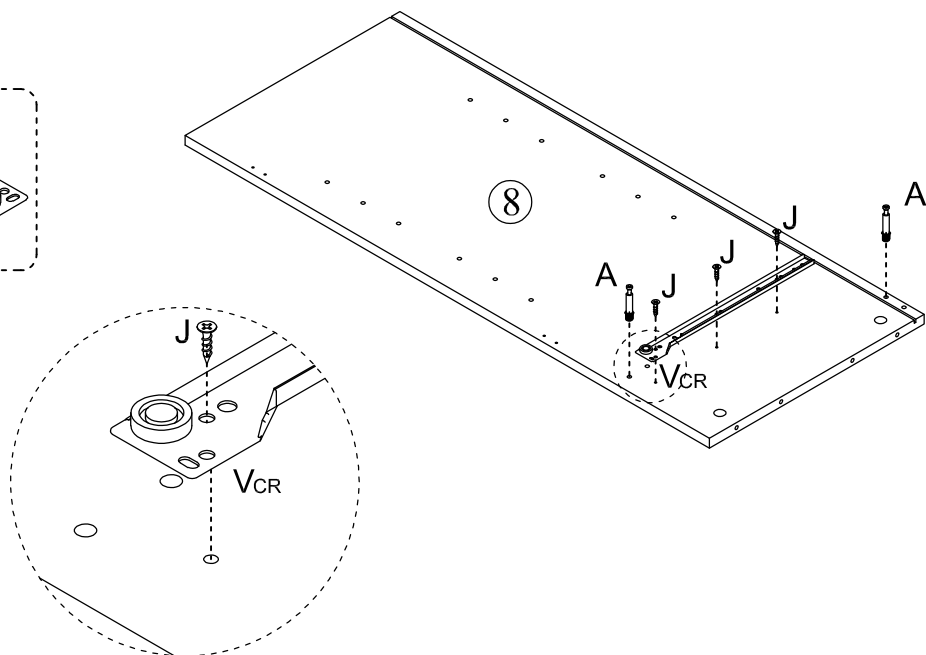
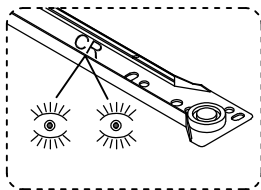
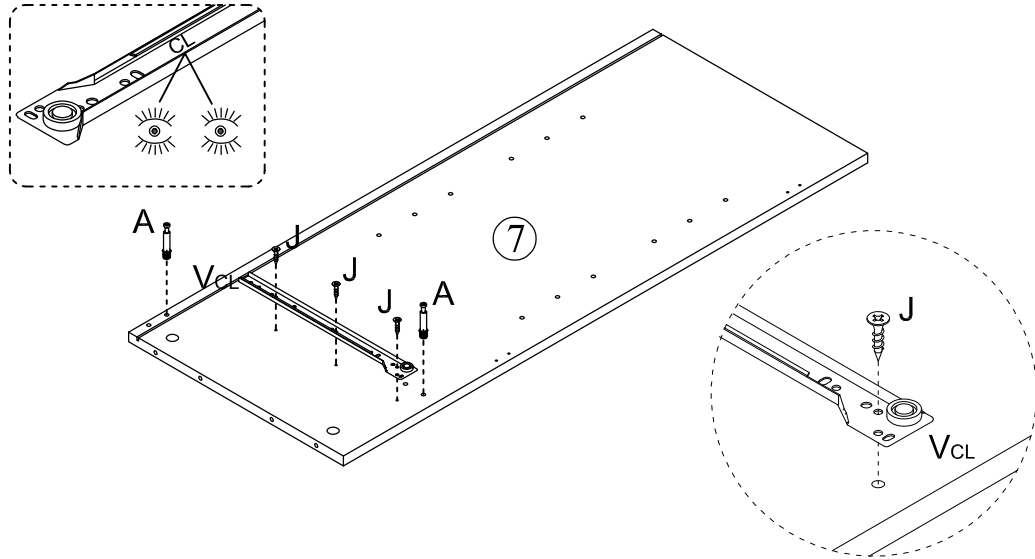
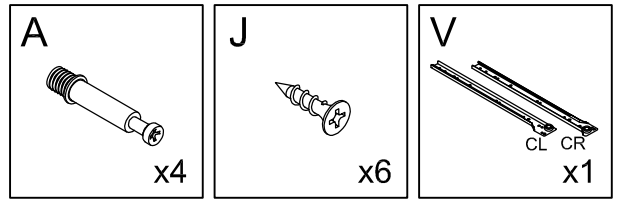
STEP 4



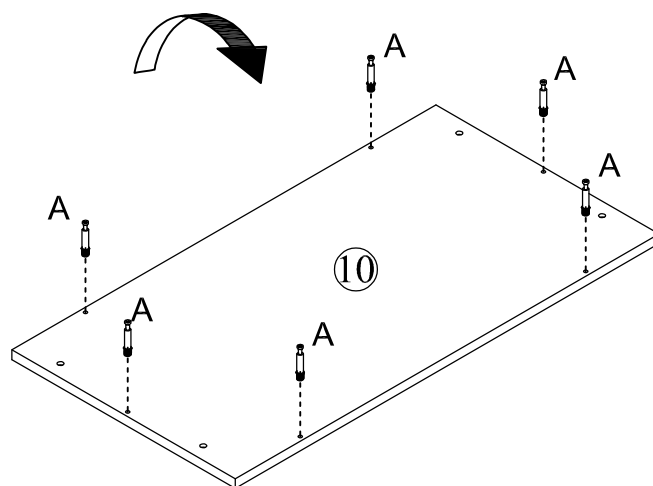
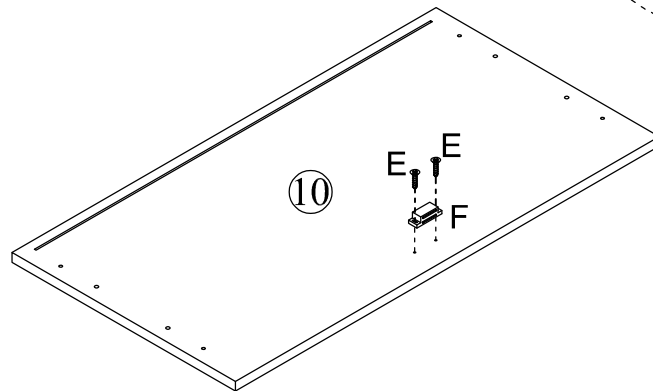
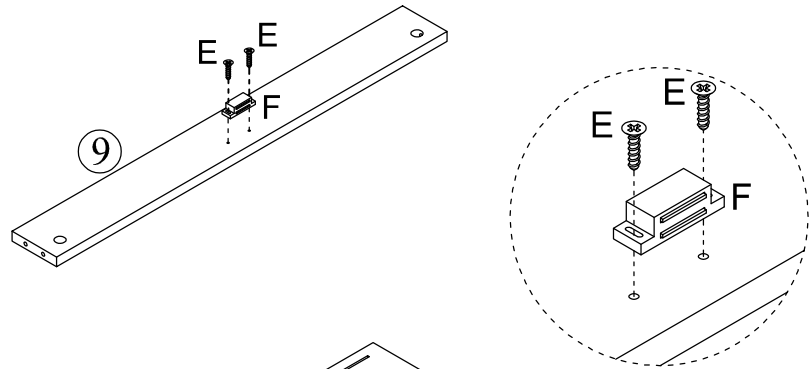
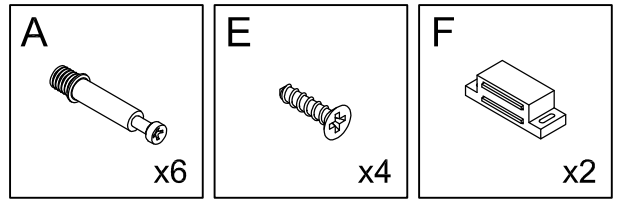
STEP 5



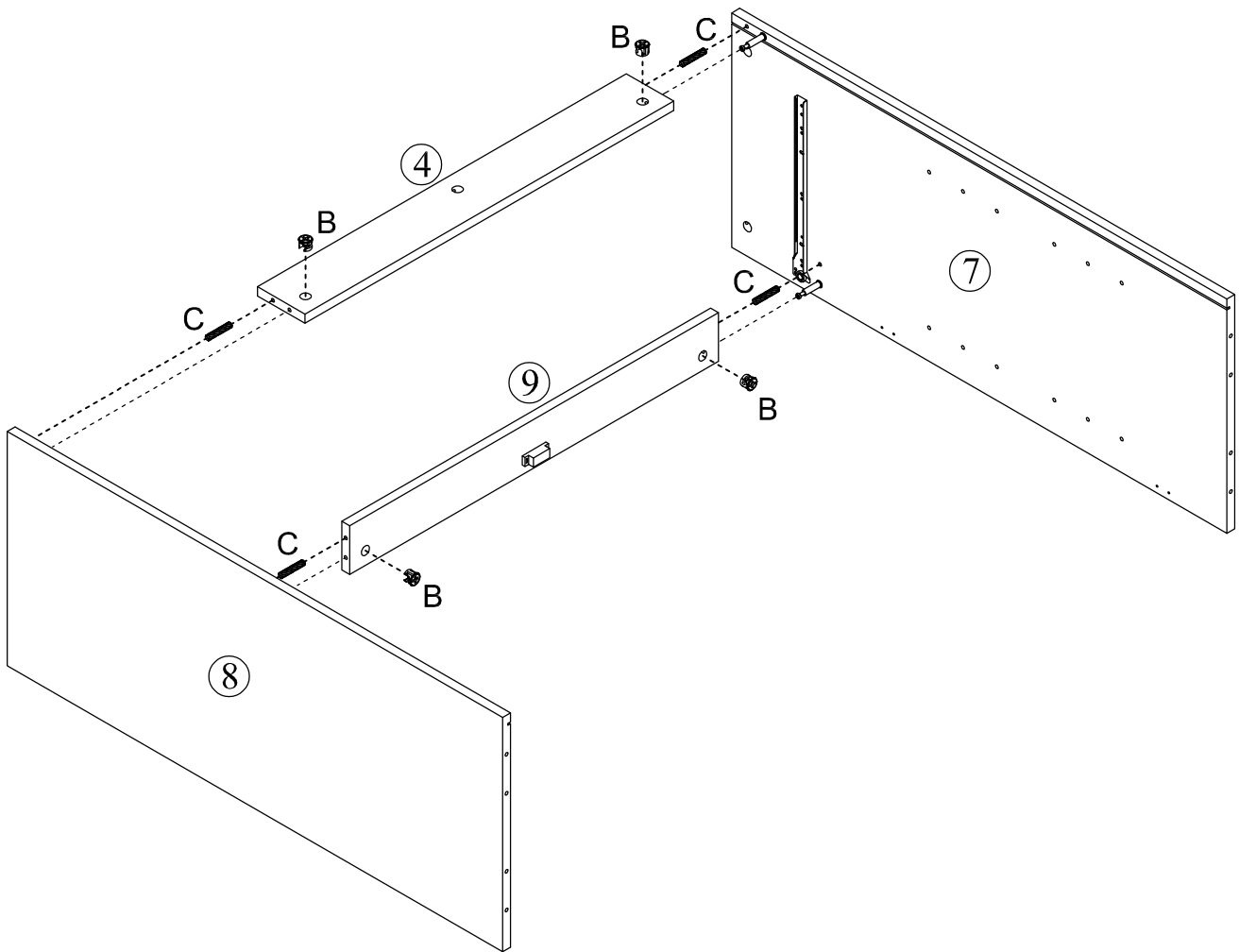
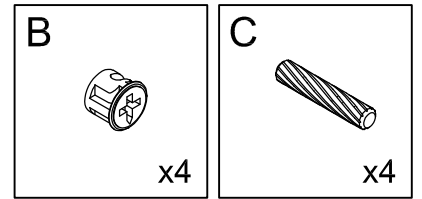
STEP 6



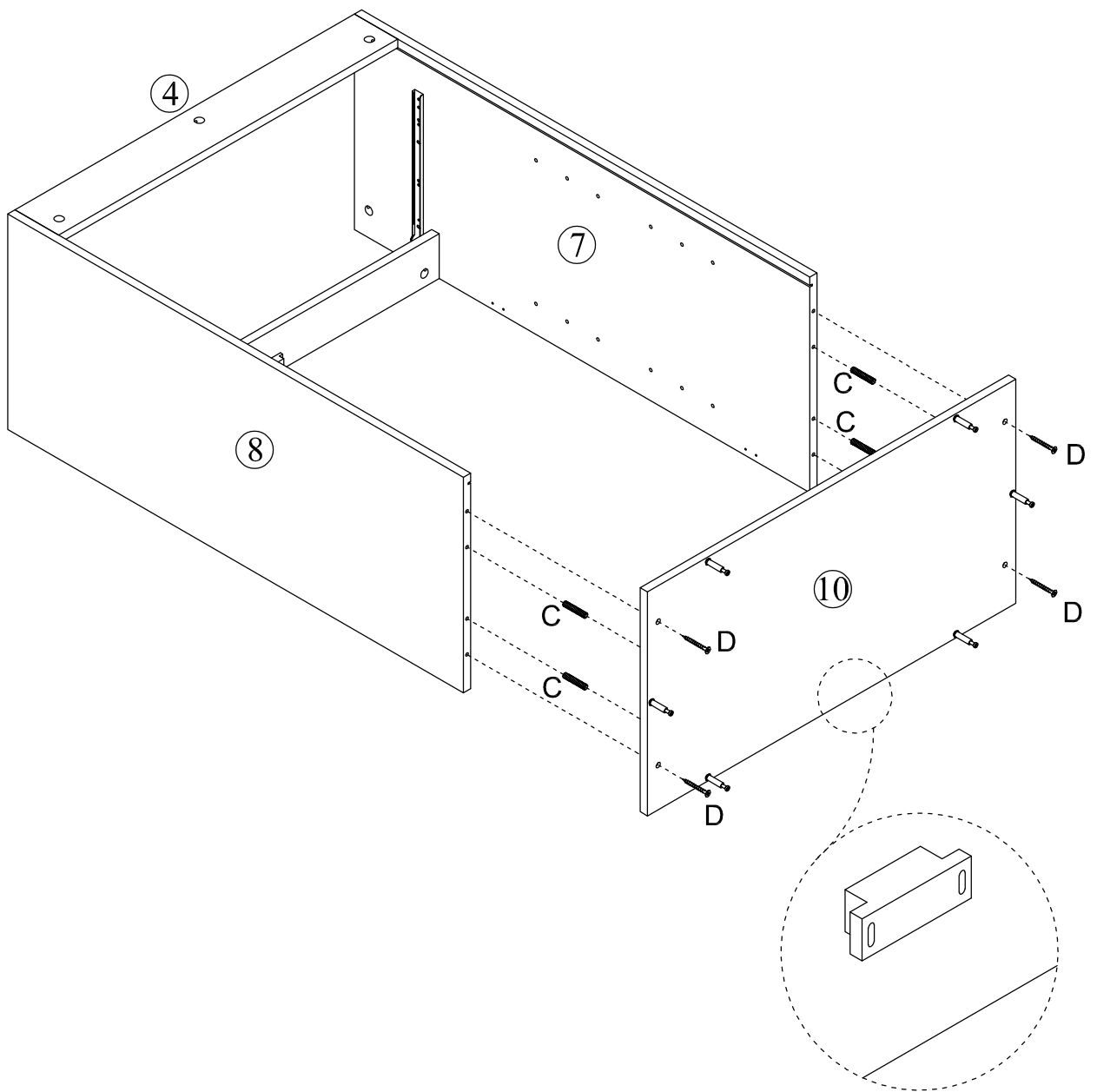
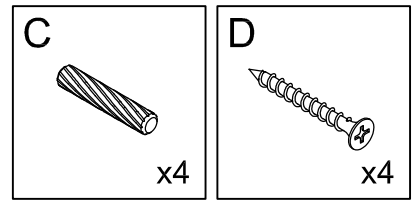
STEP 7



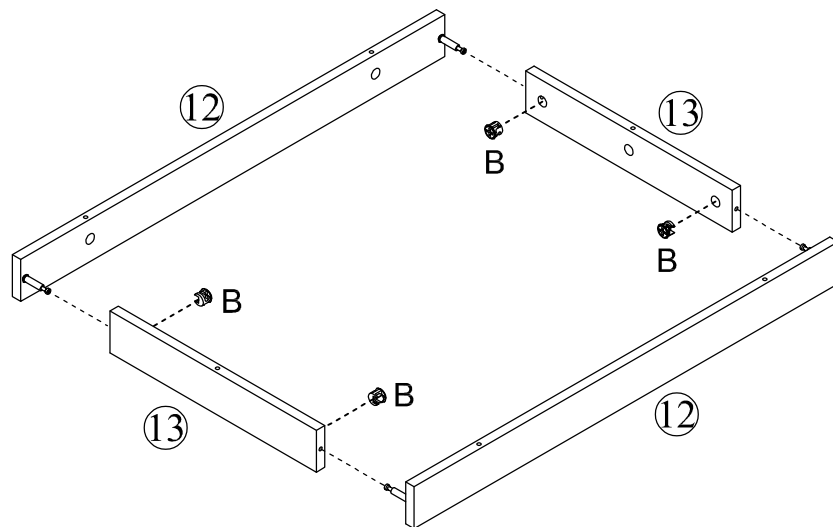
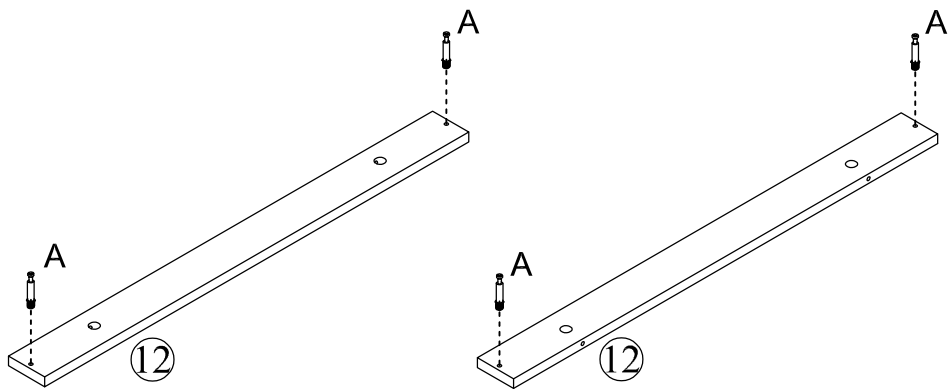
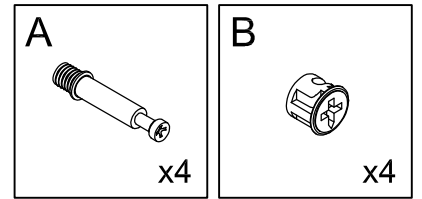
STEP 8



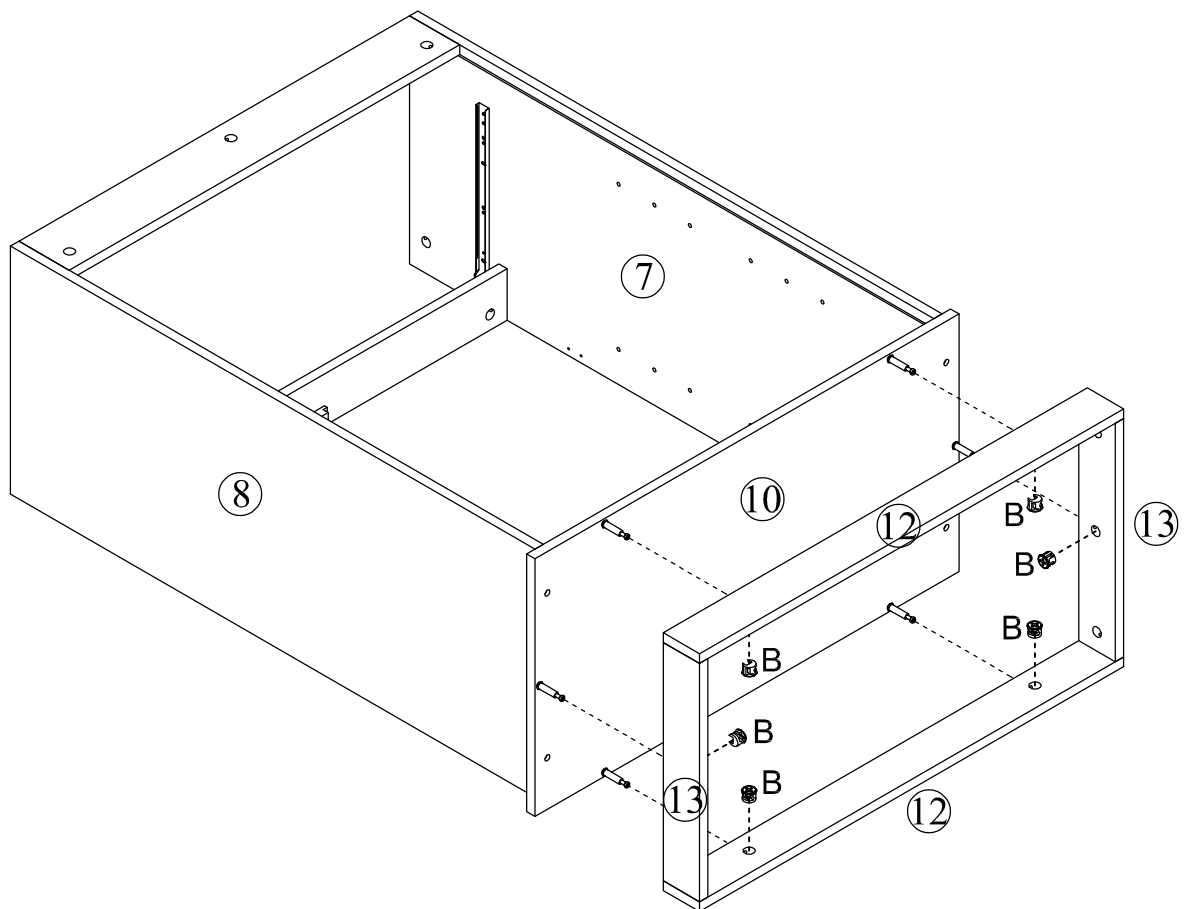
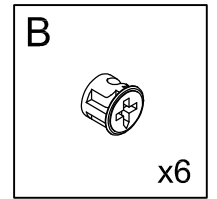
STEP 9



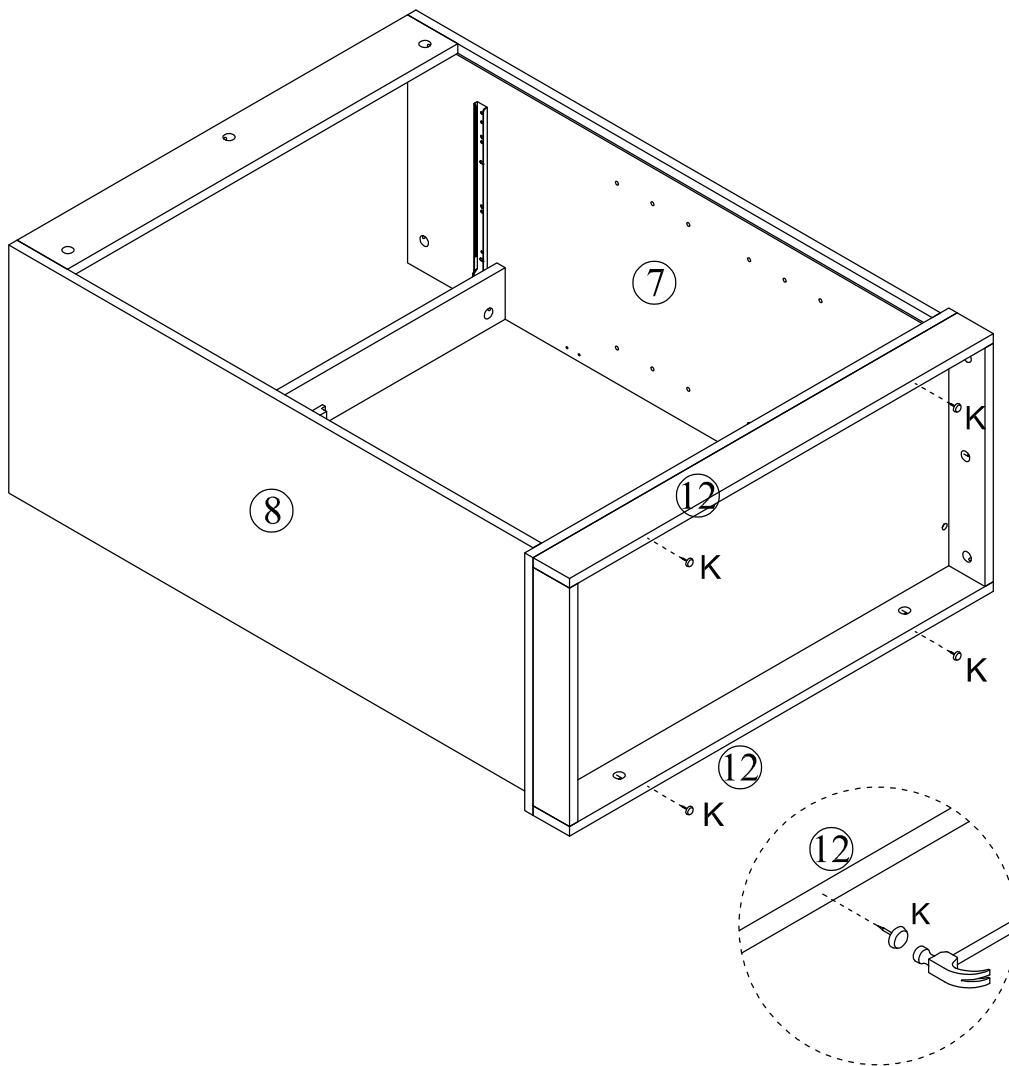
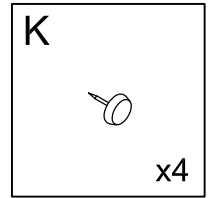
STEP 10



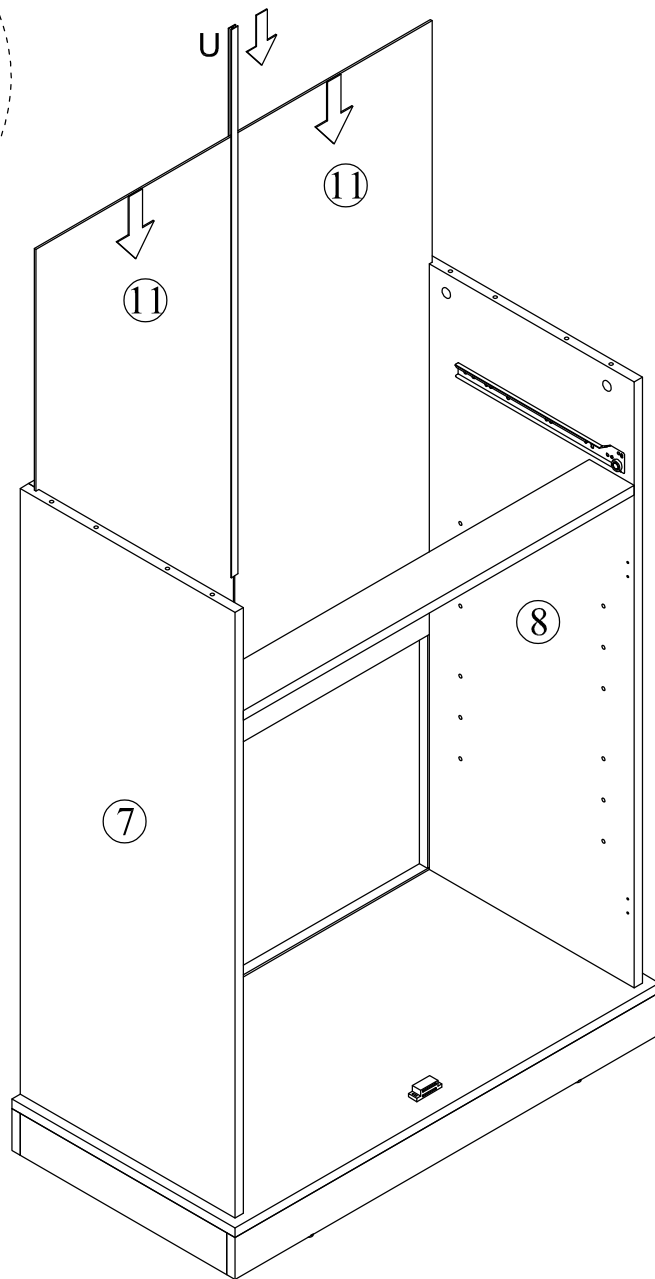
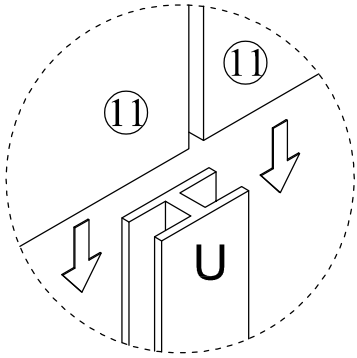
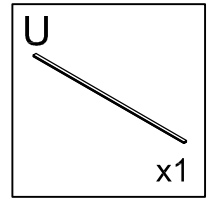
STEP 11



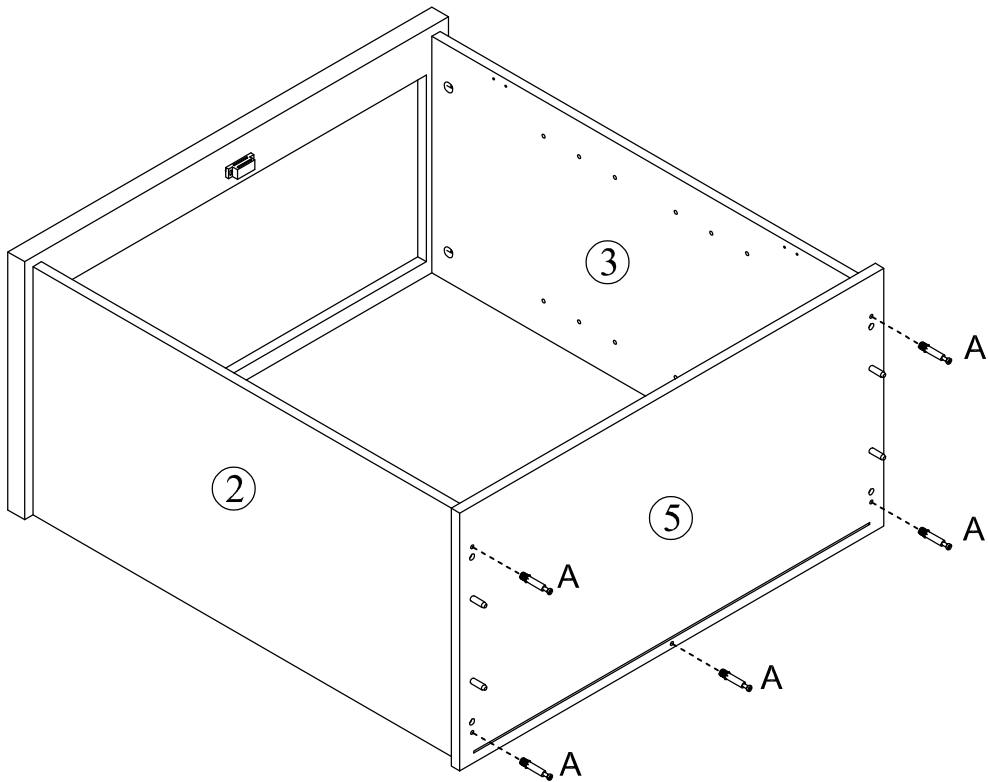
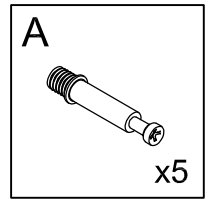
STEP 12



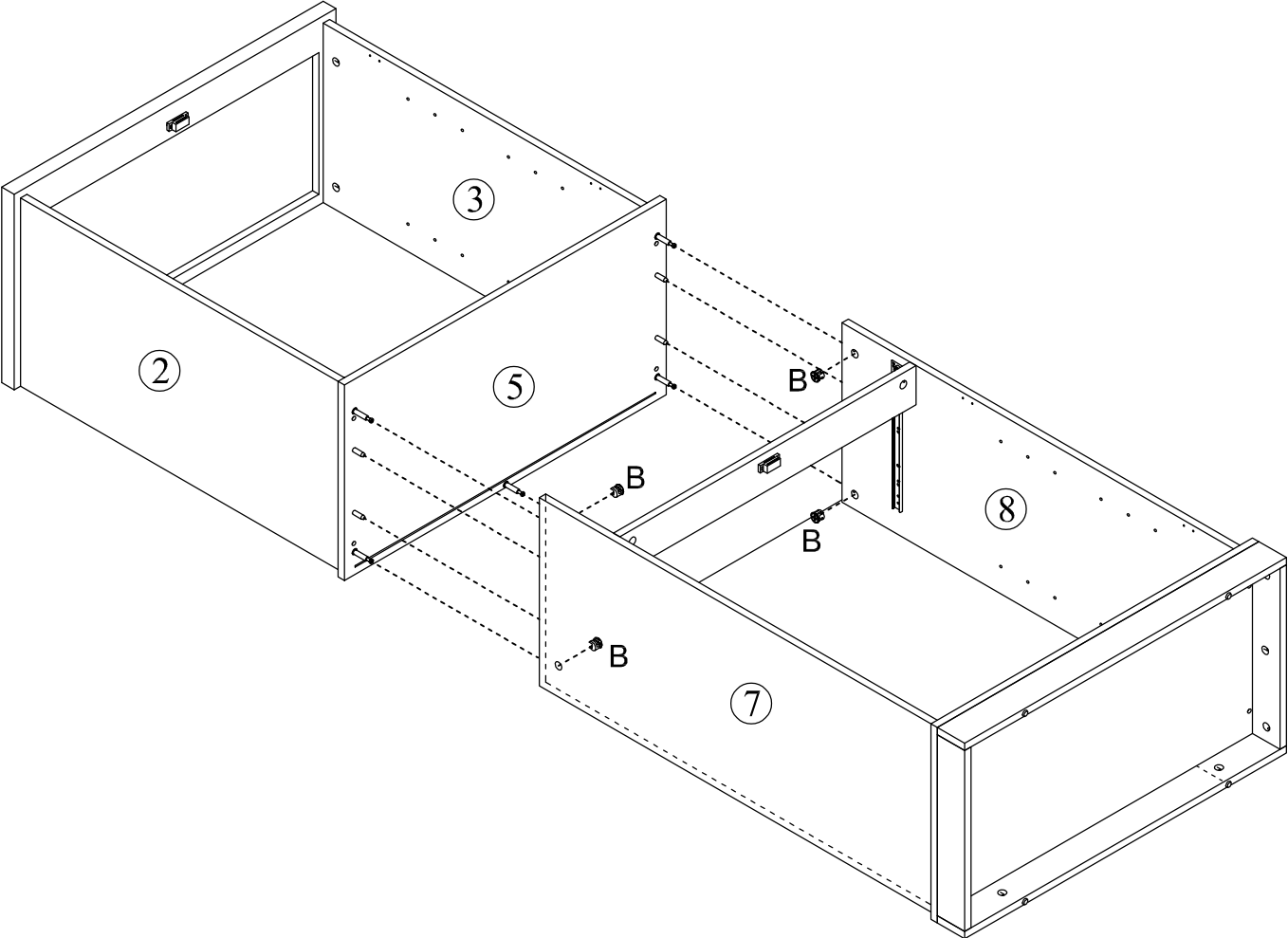
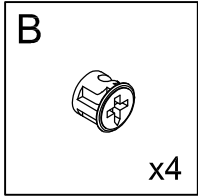
STEP 13



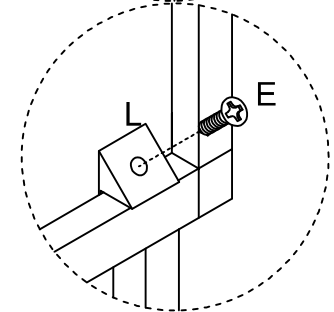
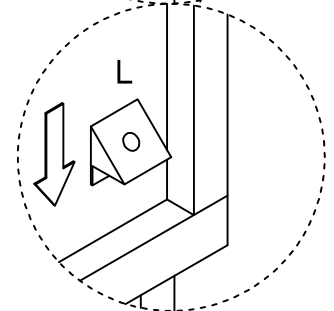
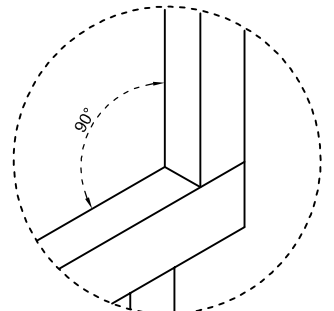
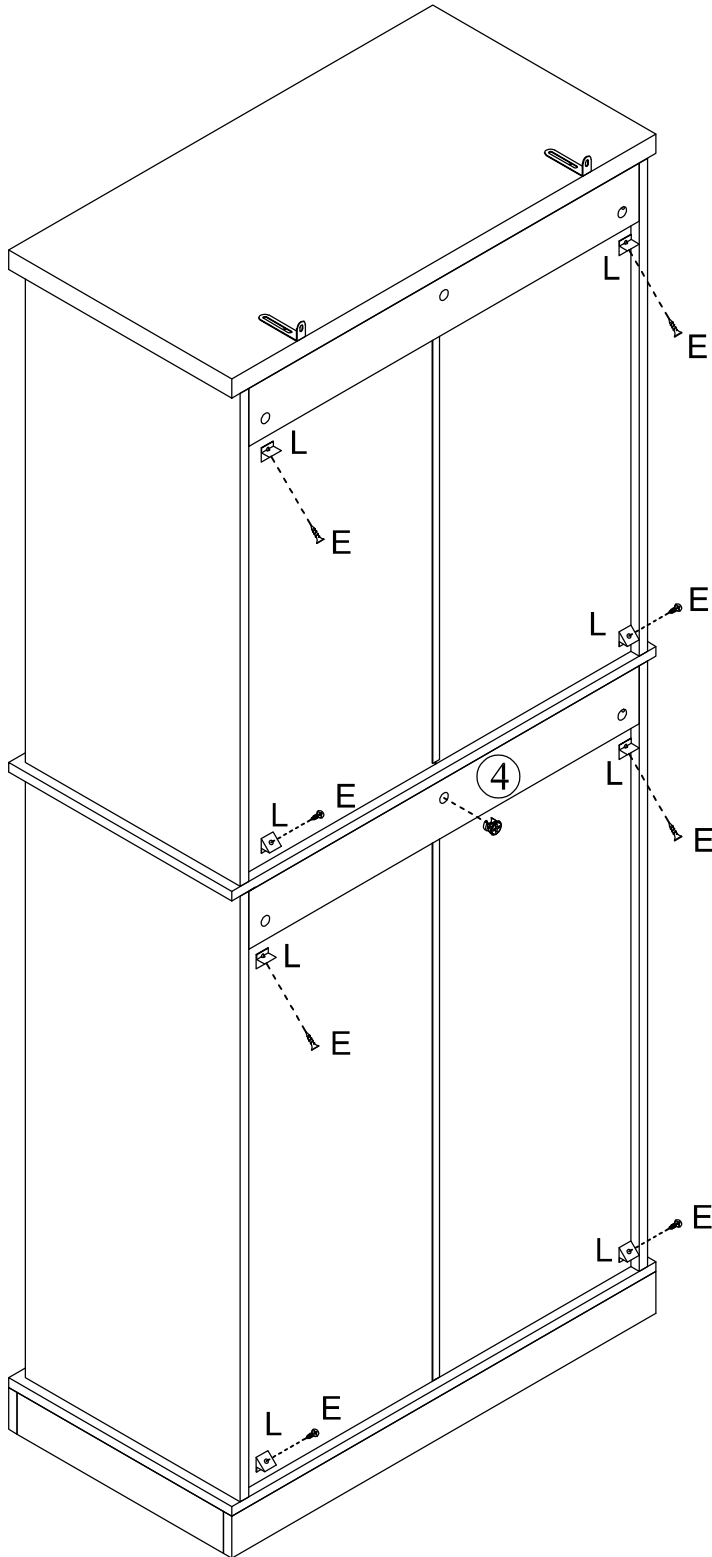
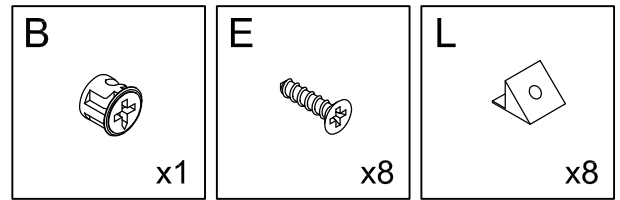
STEP 14



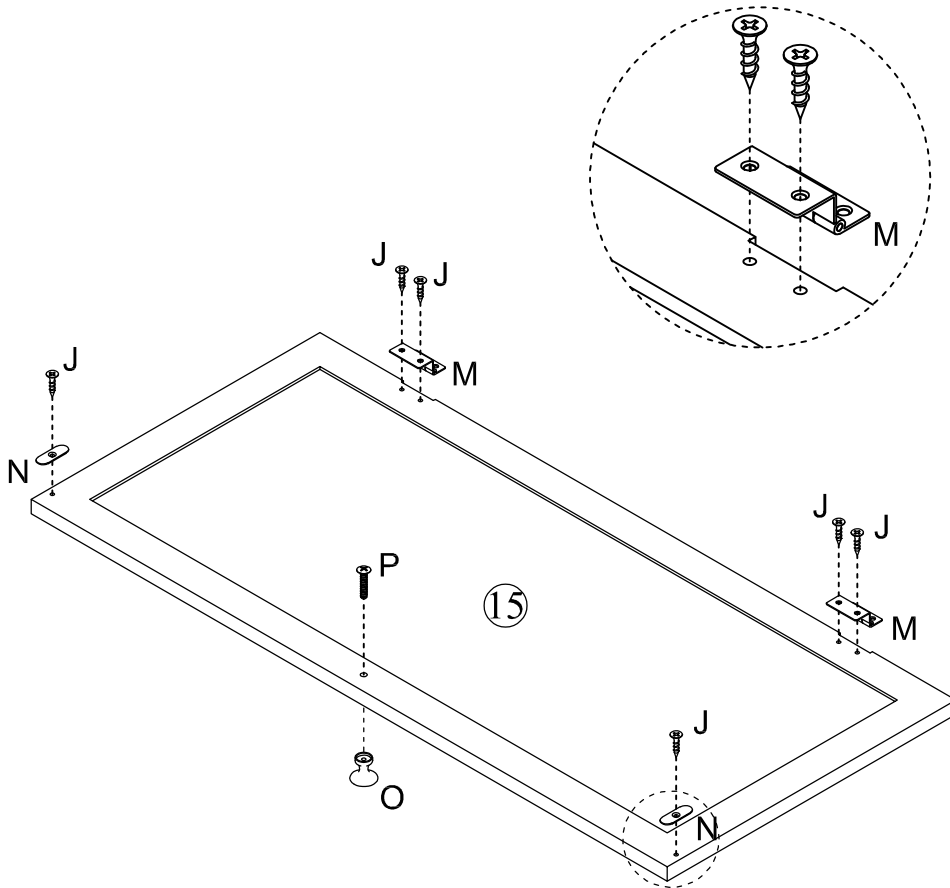
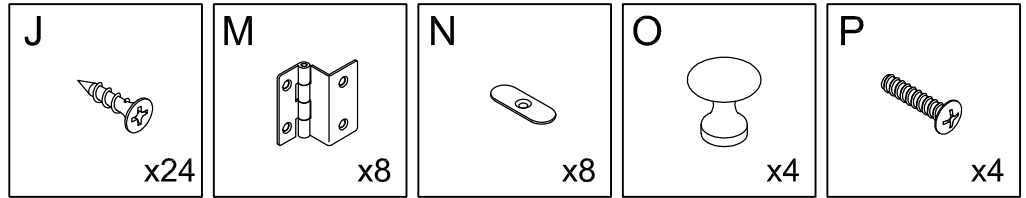
STEP 15



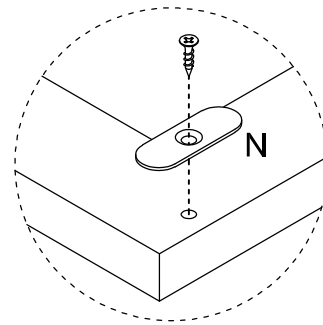
STEP 16



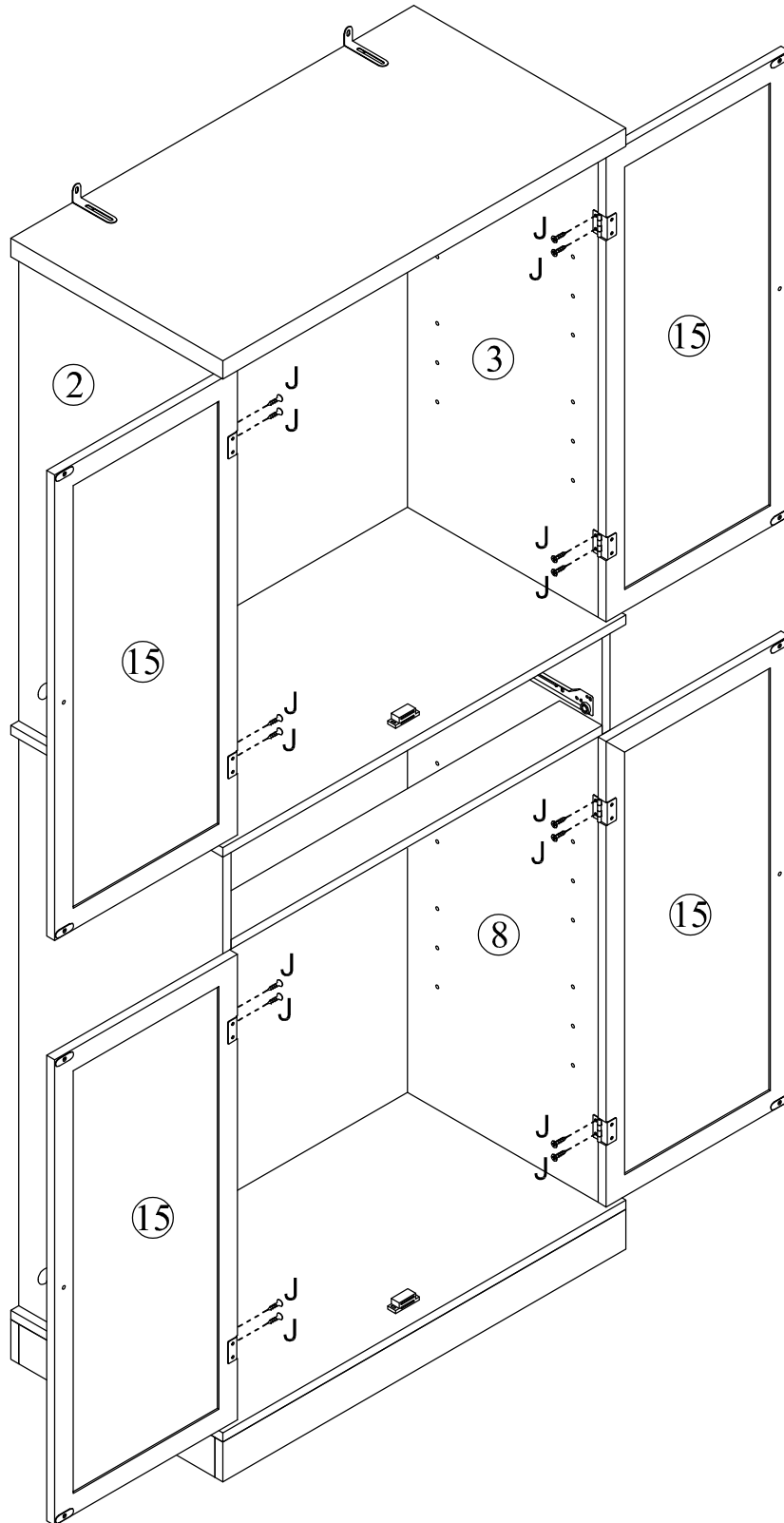
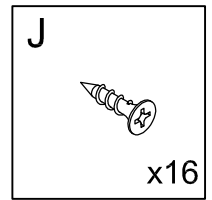
STEP 17



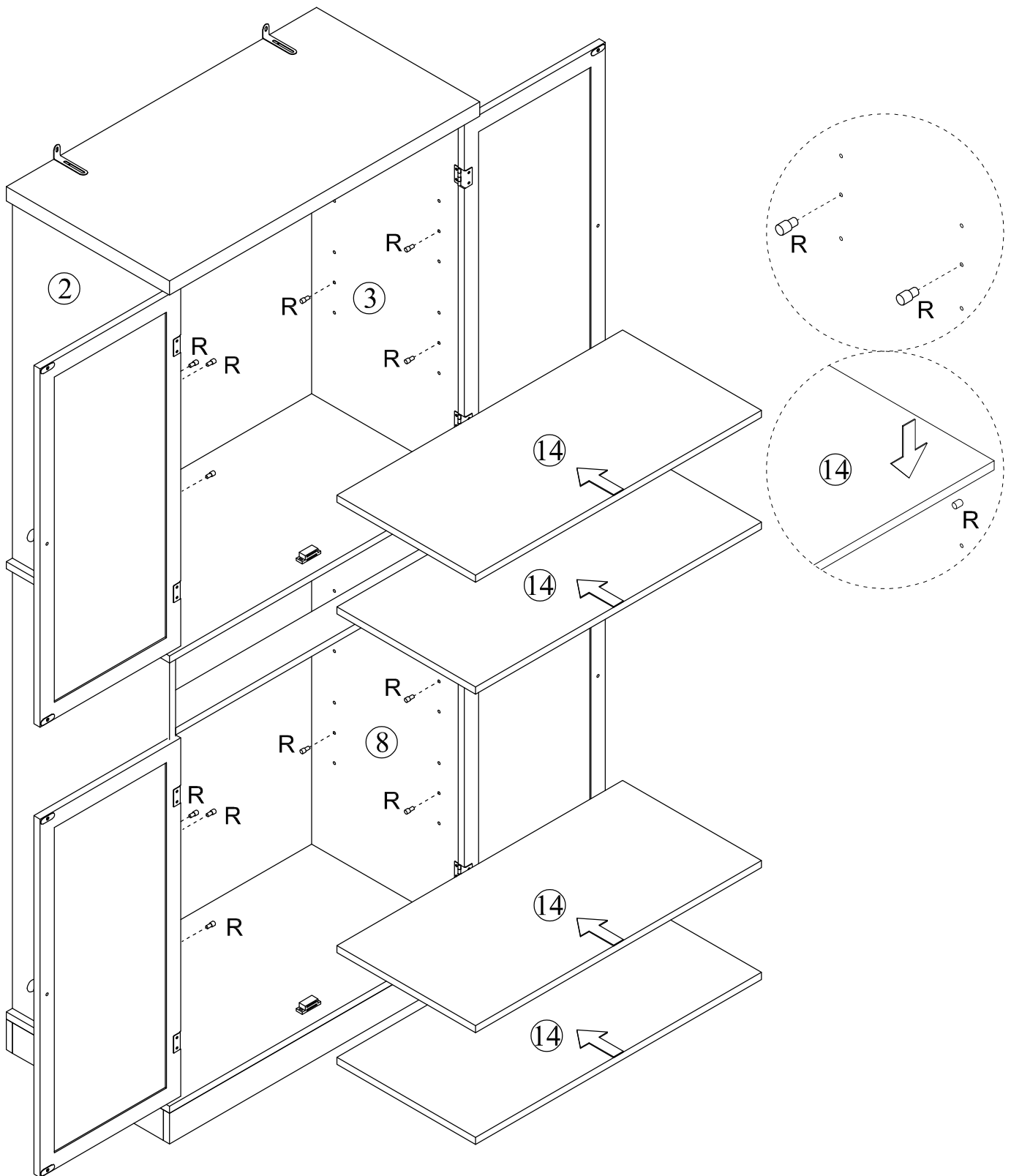
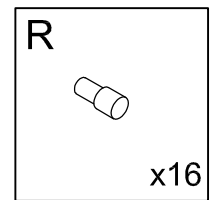
x4



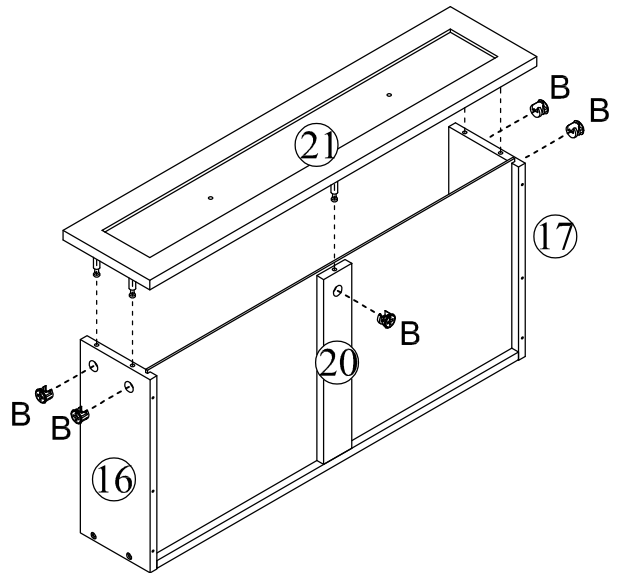
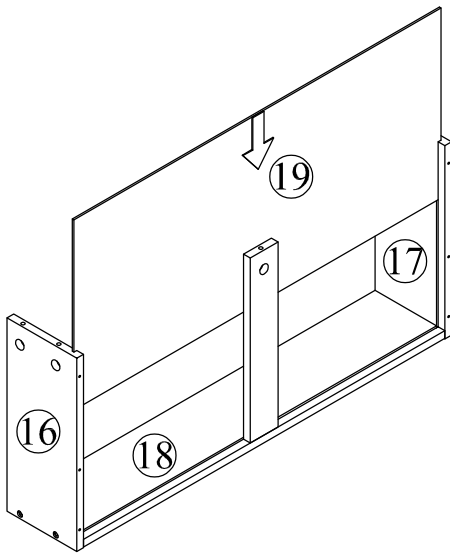
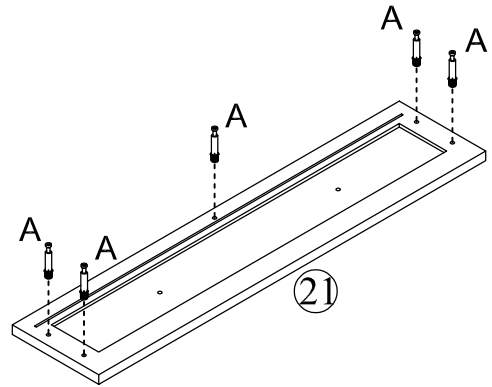
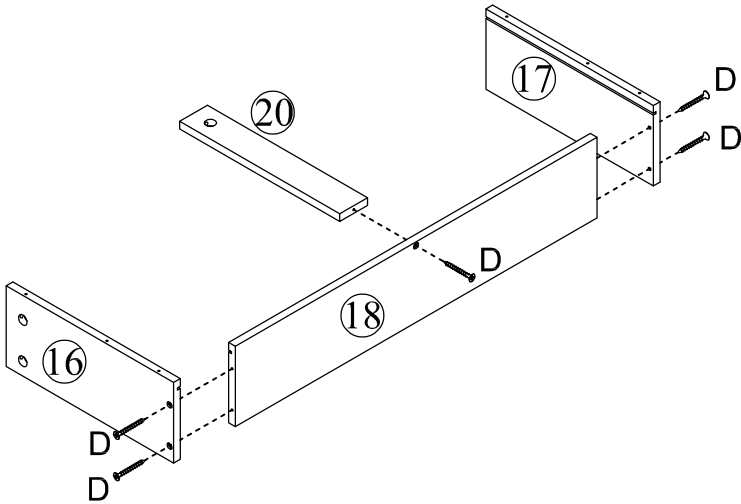
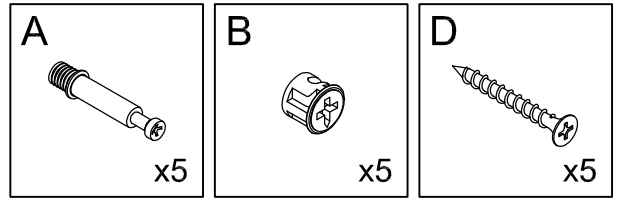
STEP 18



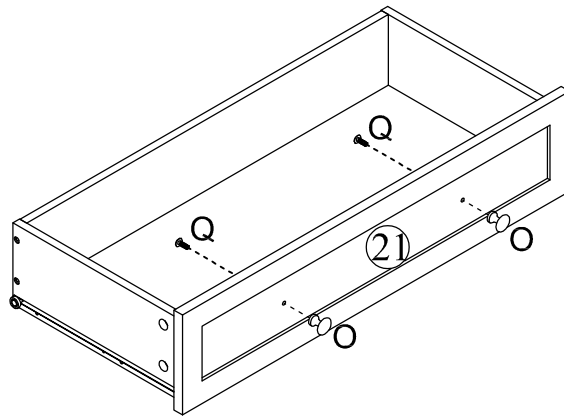
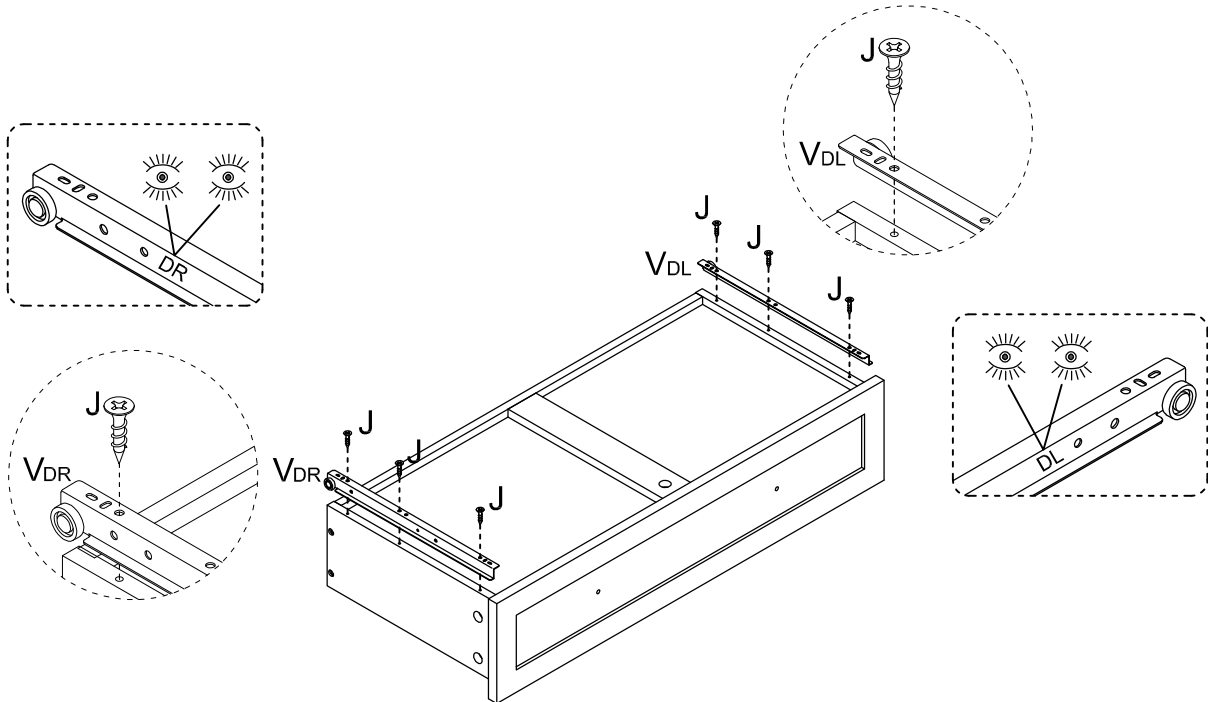
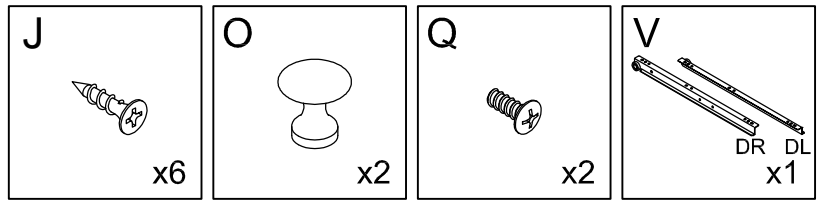
STEP 19



STEP 20



STEP 21



Proper Use

- DO NOT** use for commercial purposes
- DO NOT** use as a step stool or stand on table
- DO NOT** put hot serving liquid directly on the table top
- DO NOT** leave spilled liquid on the table top
- DO NOT** use table if damaged
- DO NOT** exceed weight limit
- DO NOT** make temporary repairs
- DO NOT** use outdoor

Dear Customer:

Thank you for purchasing our product,we wish you satisfy our service,if you have any further questions or any quality issues,please show the belows number and don't hesitate to contact our Customer Service People: