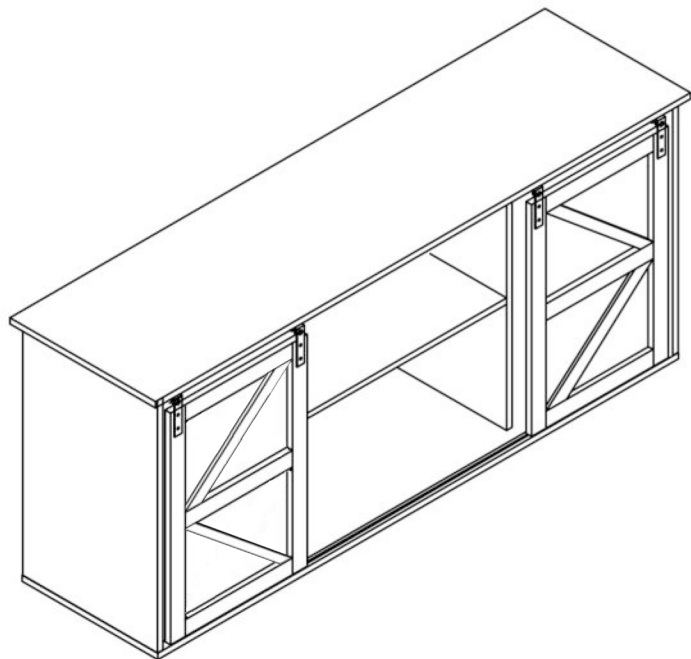


Sliding Barn Door Bar Cabinet

USER'S MANUAL

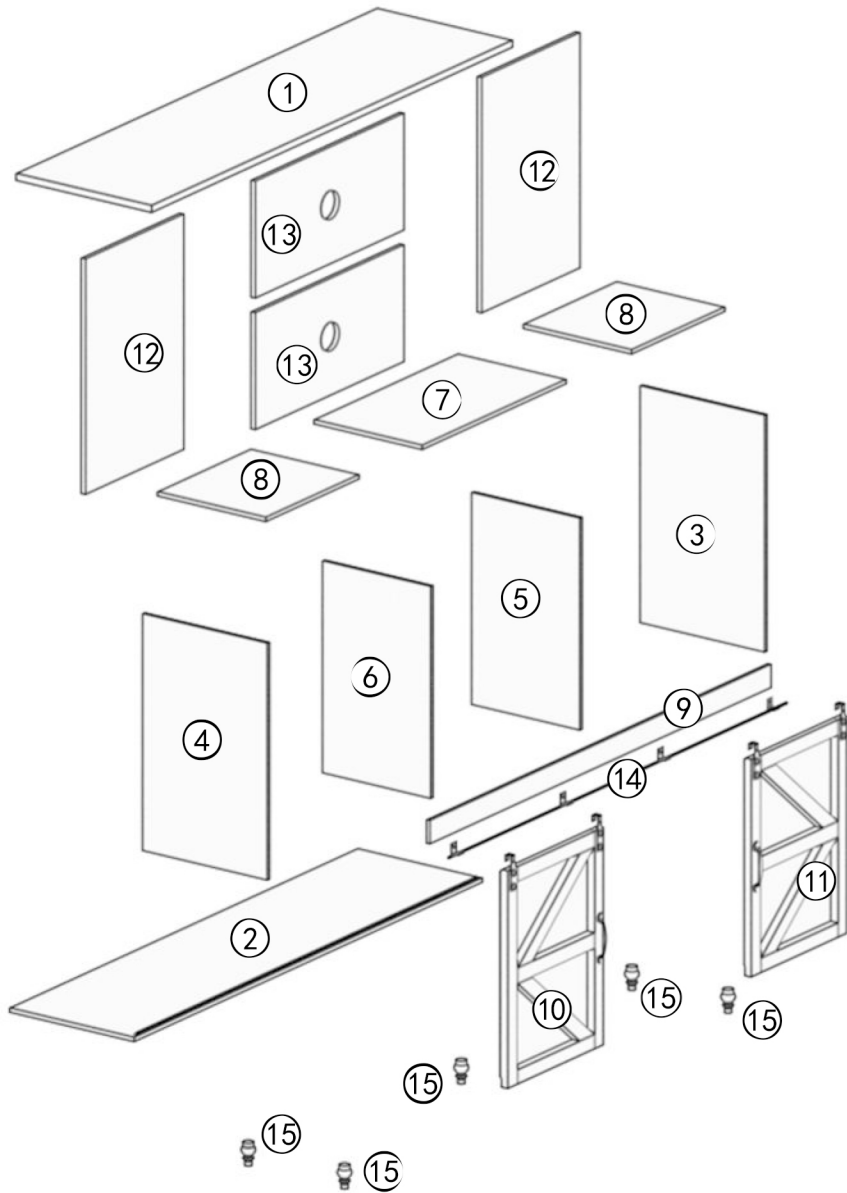
SKU: HILI000033



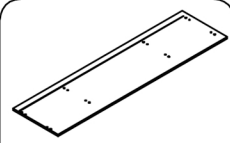
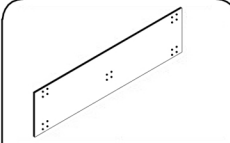
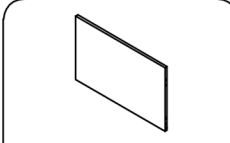
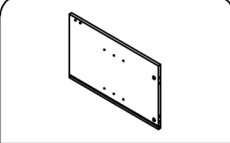
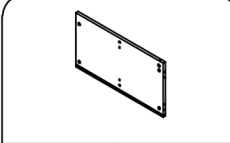
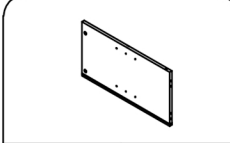
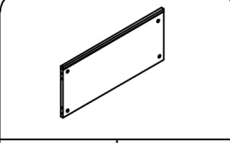
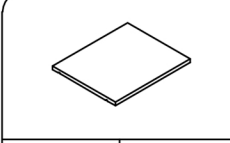
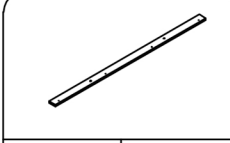
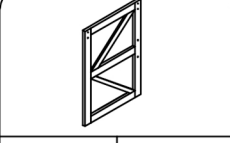
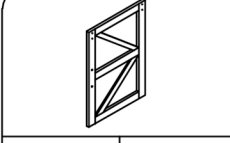
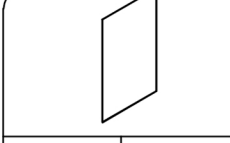
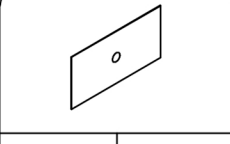
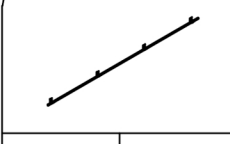
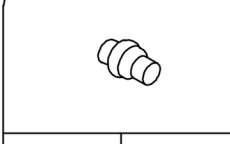
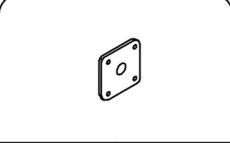
REPLACEMENT PARTS

We are devoted to provide the best products and services for customers. Please contact us via the '**Contact seller**' button in the detail page of your order for any concern and we'll response as soon as possible.

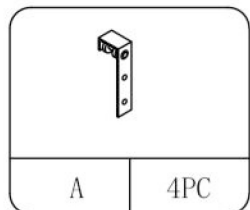
BOARD IDENTIFICATION



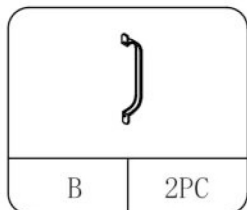
Part List

	1	1PC		2	1PC		3	1PC
	4	1PC		5	1PC		6	1PC
	7	1PC		8	2PC		9	1PC
	10	1PC		11	1PC		12	2PC
	13	2PC		14	1PC		15	5PC
	16	5PC						

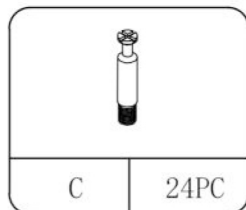
Hardware List



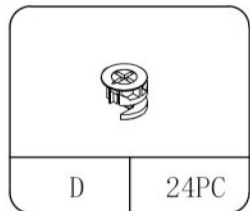
Hanging Wheel



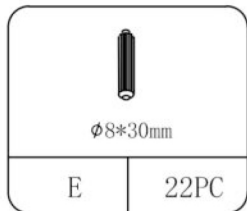
Handle



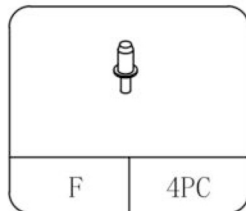
Cam Bolt



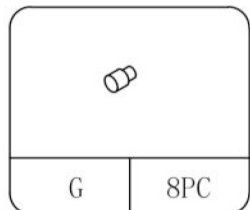
Cam Lock



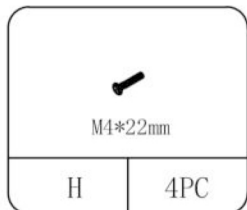
Wooden Dowel



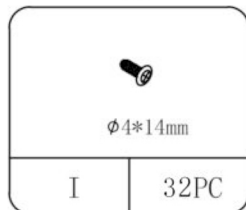
Door Support Pin



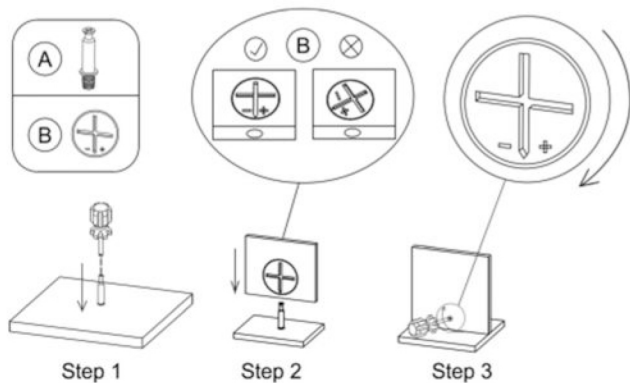
Shelf Support Pin



Bolt

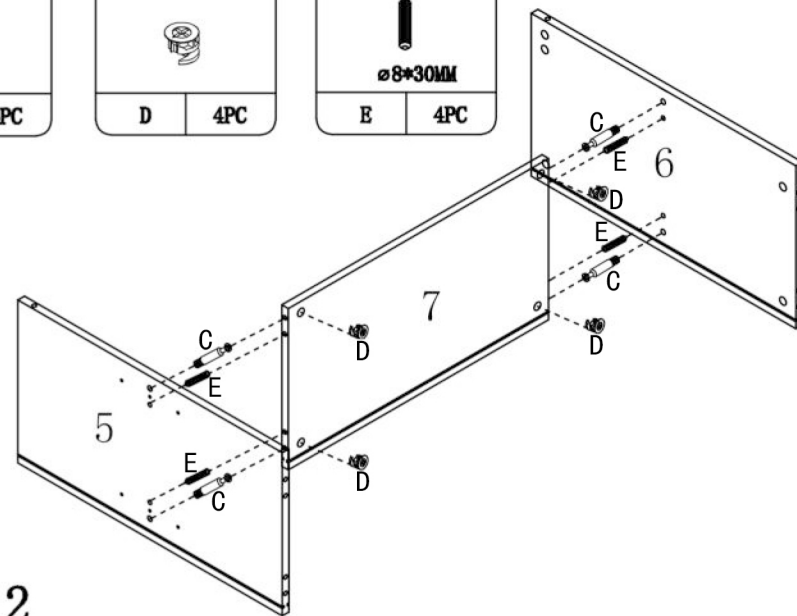
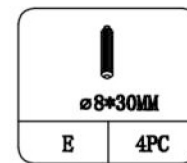
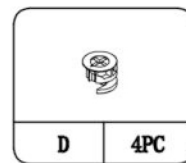
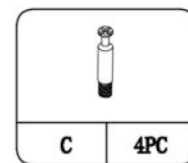


Screw



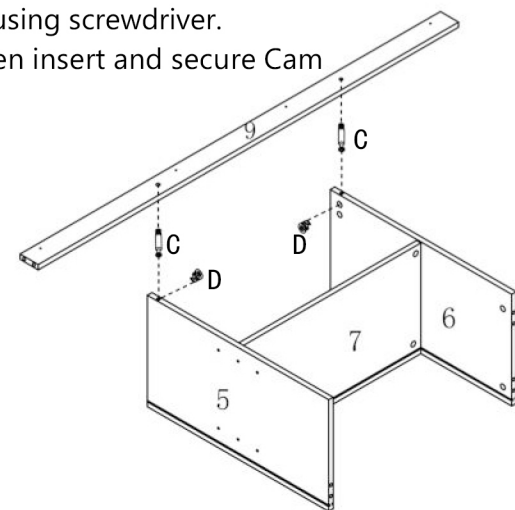
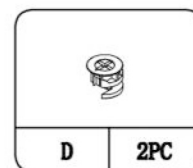
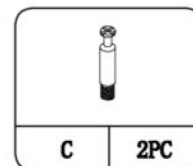
STEP 1

Attach Cam Bolt (C) and Wooden Dowel (E) to Part (5, 6).
Attach Part (5, 6) to Part (7), then insert and secure Cam Lock (D) to lock it.



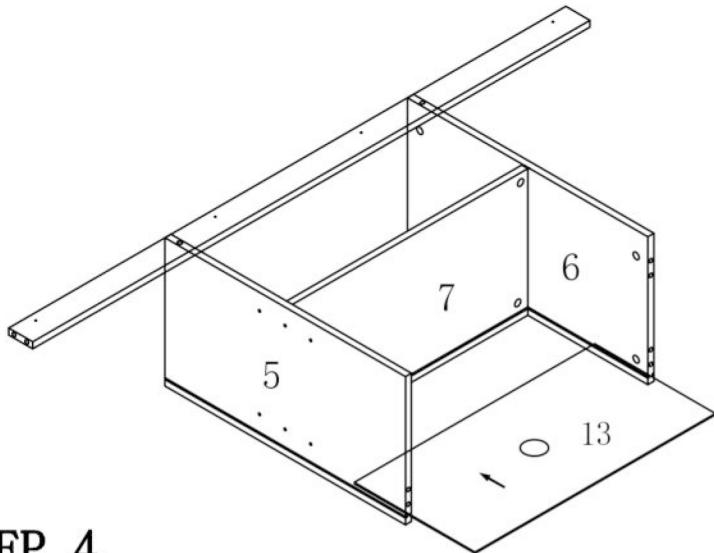
STEP 2

Attach Cam Bolt (C) to Part (9) using screwdriver.
Attach Part (9) to Part (5, 6), then insert and secure Cam Lock (D) to lock it.



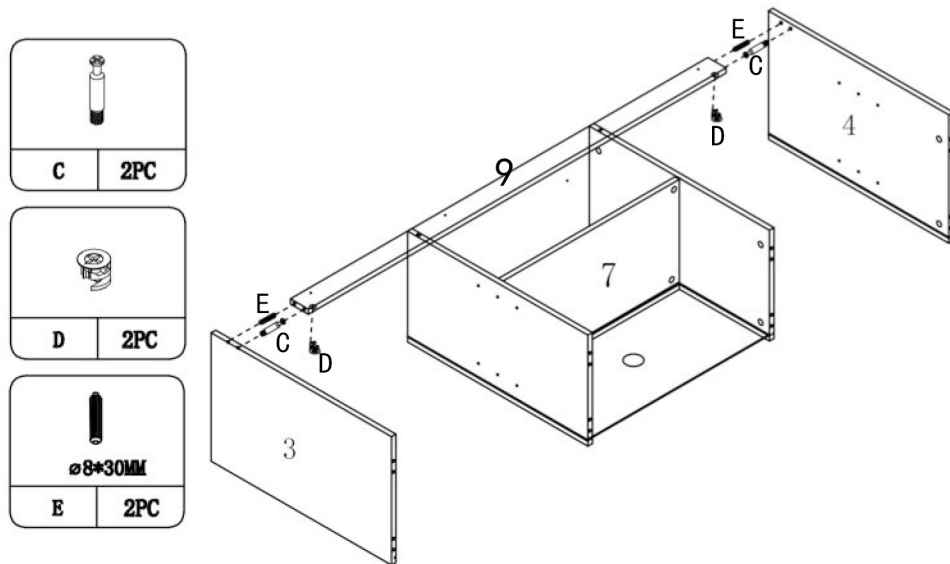
STEP 3

Slide back Panel (13) into grooves as per diagram.



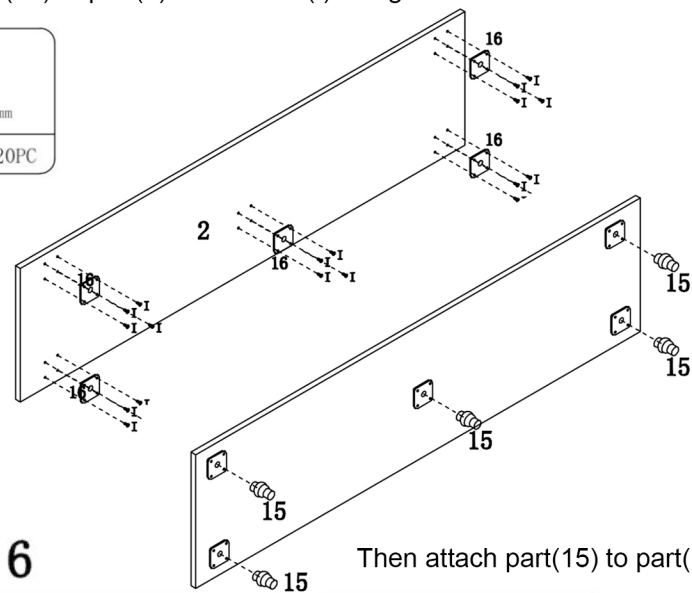
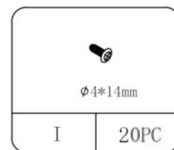
STEP 4

Attach Cam Bolt (C) and Wooden Dowel (E) to Part (3, 4).
Attach Part (3, 4) to Part (9), then insert and secure Cam Lock (D) to lock it.



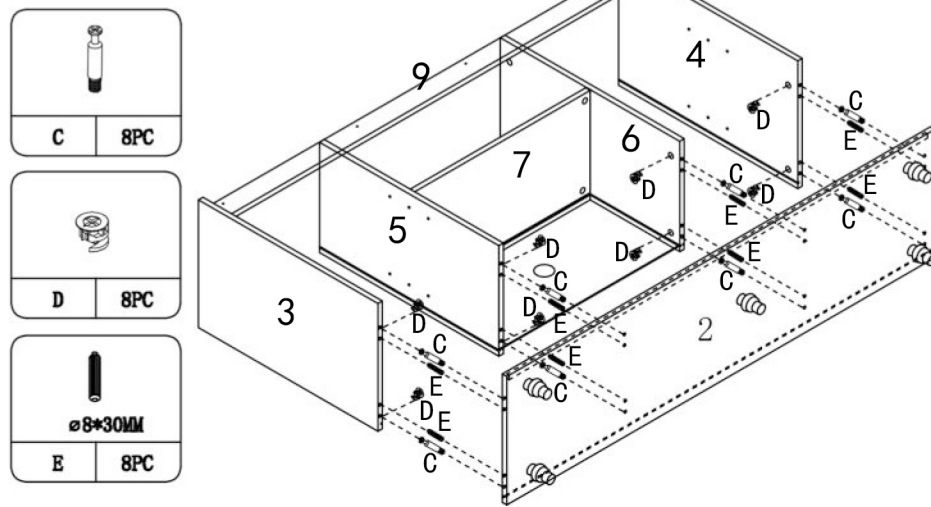
STEP 5

Attach part(16) to part(2) with screw (I) using screwdriver



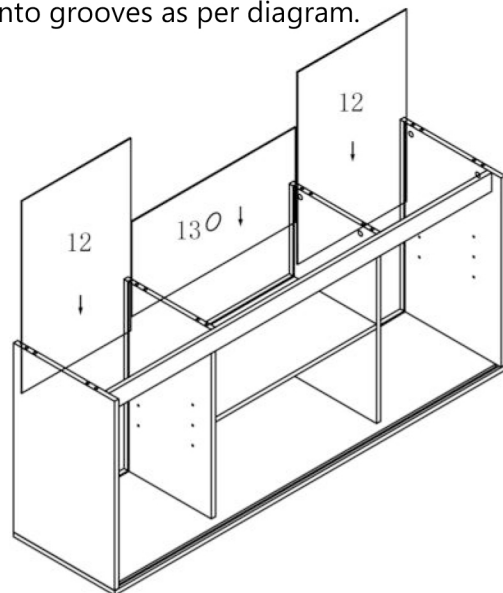
STEP 6

Attach Cam Bolt (C) and Wooden Dowel (E) to Part (2).
Attach Part (2) to Part (3, 5, 6, 4), then insert and secure Cam Lock (D) to lock it.



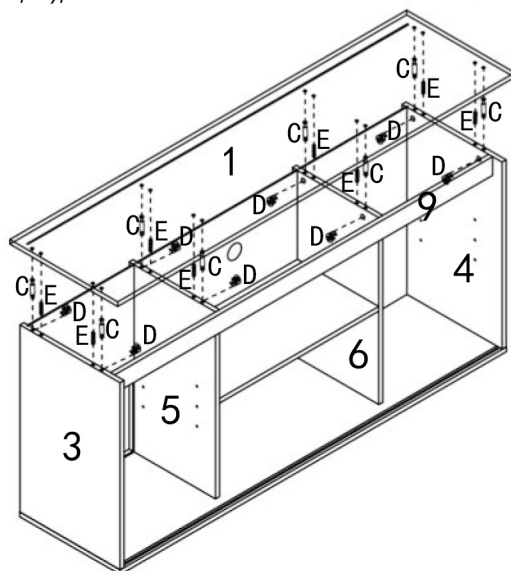
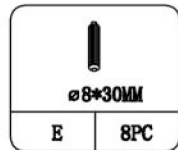
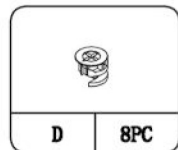
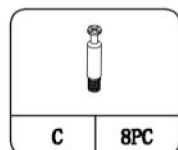
STEP 7

Slide back Panel (12, 13) into grooves as per diagram.



STEP 8

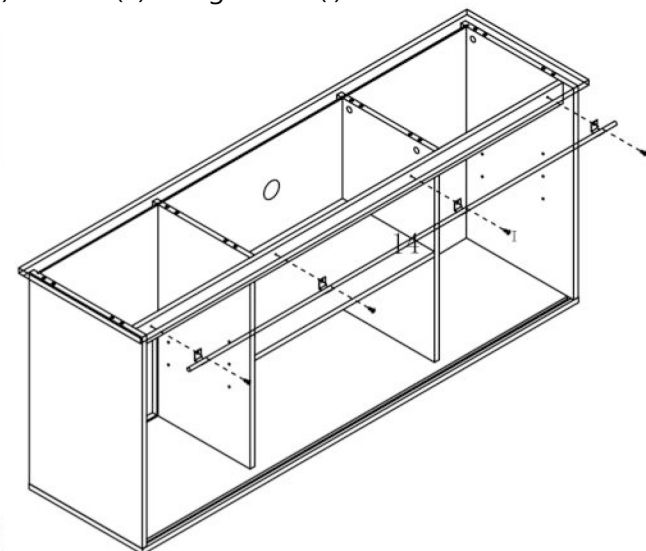
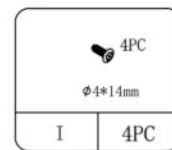
Attach Cam Bolt (C) and Wooden Dowel (E) to Part (1).
Attach Part (1) to Part (3, 5, 6, 4), then insert and secure Cam Lock (D) to lock it.



6

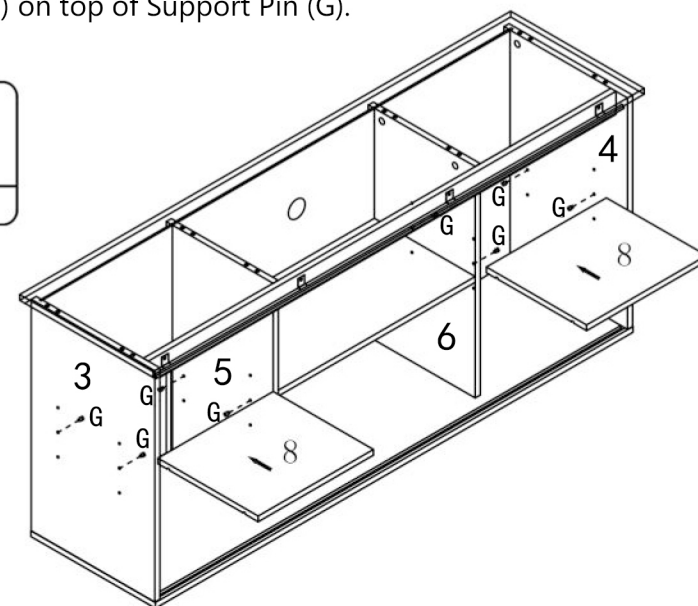
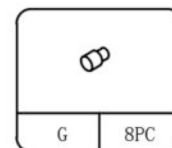
STEP 9

Attach Rail (14) to Part (9) using Screw (I) with screwdriver.



STEP 10

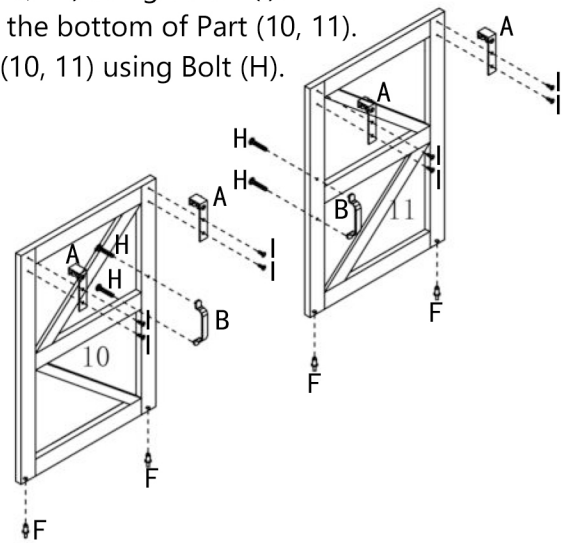
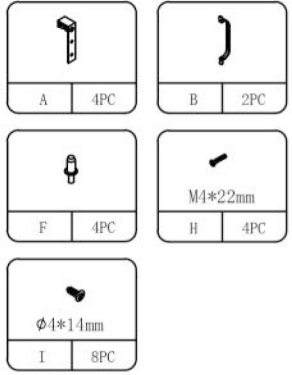
Insert Shelf Support Pin (G) into Part (3, 5, 4, 6).
Place Part (8) on top of Support Pin (G).



7

STEP 11

Attach Pulley (A) to the Part (10, 11) using Screw (I).
Insert Door Support Pin (F) at the bottom of Part (10, 11).
Attach Handle (B) to the Part (10, 11) using Bolt (H).



STEP 12

Put Doors into the Rail (14) as per diagram. Finish!

