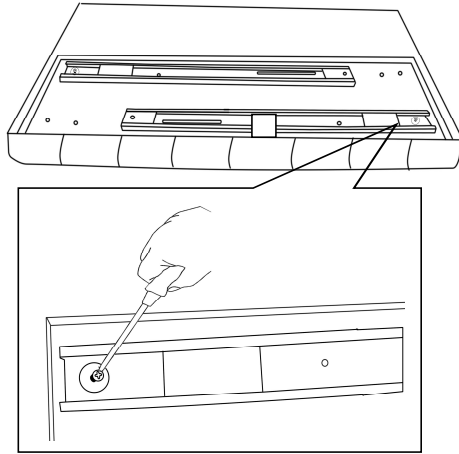


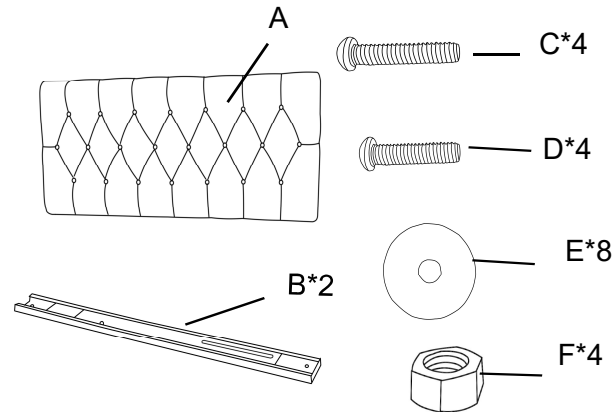
Assembly Picture

Assembly Instruction

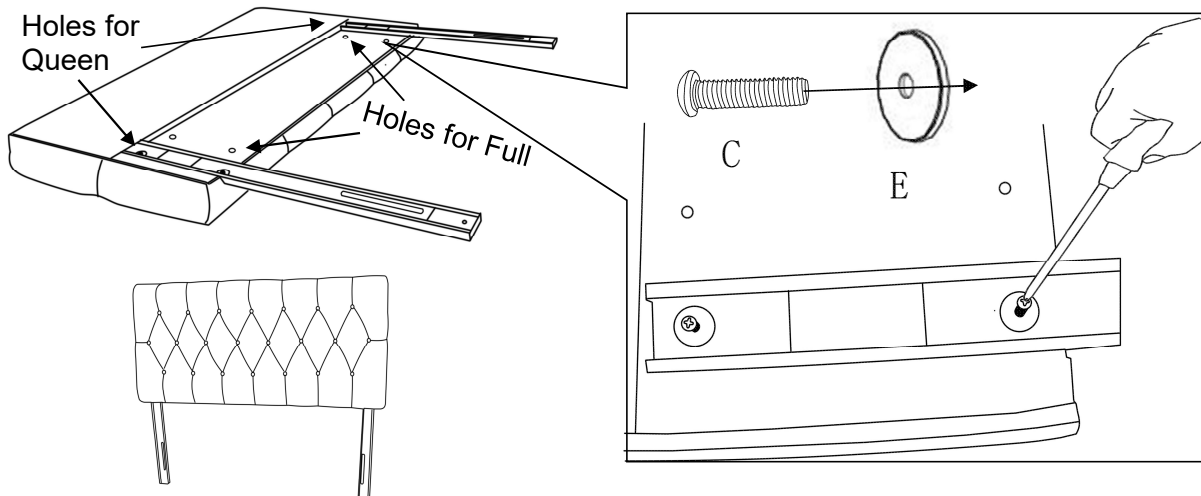
STEP 1



Parts



STEP 2



Carefully unpack all parts before attempting to assemble.

STEP ONE To take down the black metal support legs of the back headboard by screwdriver .

STEP TWO Check all parts , choose which headboard holes you need. Pls see Step 3 , the holes outside are for Queen size, and the inside holes for Full size.

STEP THREE Put black metal support legs to the holes positions you need. Inserting the bolts into the leg holes with Flat washer , tighten all bolts fully.

Parts List

A - Headboard Basic	1
B - Black Metal support legs	2
C - M8*1.25/3cm (metric screw)	4
D - M6*1.25/3cm Screw (for bed)	4
E - Flat washer $\phi 8 * \phi 32$	8
F - M6 Nuts (for bed)	4

Note: Parts D & F ONLY FOR connect the headboard & side rails, not assemble the headboard)