

Rustler2 - 6Burner

Model# BG2211A6

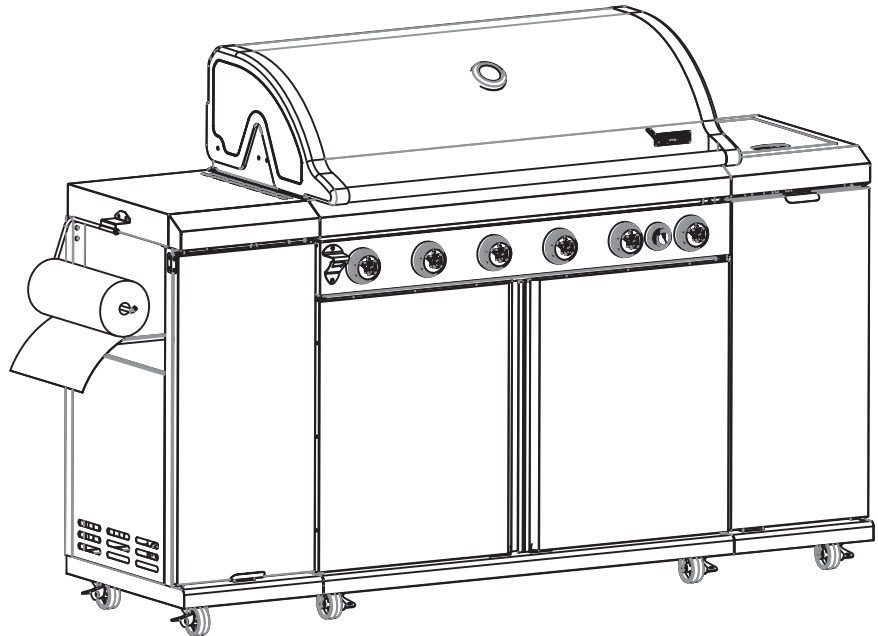
⚠ WARNING
FOR YOUR SAFETY:
For Outdoor Use Only
(Outside any enclosure)

⚠ WARNING
FOR YOUR SAFETY:

- Improper Installation, adjustment, alteration, service or maintenance can cause injury or property damage.
- Read the installation, operation, and maintenance instructions thoroughly before installing or servicing this equipment.
- Failure to follow these instruction could result in fire or explosion, which could cause property damage, personal injury, or death.
- This instruction manual contains important information necessary for the proper assembly and safe use of the appliance.
- Read and follow all warnings and instructions before assembling and using the appliance.
- Follow all warnings and instructions when using the appliance.
- Keep this manual for future reference.

⚠ WARNING

- Do NOT store or use gasoline or other flammable liquids or vapors in the vicinity of this or any other appliance.
- An LP cylinder not connected for use shall NOT be stored in the vicinity of this or any other appliance.



Keep this manual for future reference.

This instruction manual contains important information necessary for the proper assembly and safe use of the appliance.

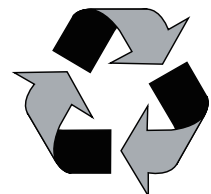
Read and follow all warnings and instructions before assembling and using the appliance.

Follow all warnings and instruction when using the appliance

⚠ DANGER

If you smell gas -

- Shut off gas to appliance.
- Extinguish any open flame.
- Open lid.
- If odor continues, keep away from the appliance and immediately call your gas supplier or your fire department.



Made from 75% Bagasse
(environmentally-friendly sugar cane
pulp by-product)

Important Safeguards

▲ DANGER: Failure to follow the dangers, warnings and cautions in this manual may result in serious bodily injury or death, or in a fire or an explosion causing damage to property

▲ WARNINGS:

- ▲ This Barbecue is for outdoor use only, and should not be used in a building, garage or any other enclosed area.
- ▲ For residential use only. This Barbecue is NOT for commercial use.
- ▲ This BBQ is not intended for and should never be used as a heater. TOXIC fumes can accumulate and cause asphyxiation.
- ▲ **This Barbecue is safety certified for use in any other location. Modification will result in a safety hazard and will void your warranty.**
- ▲ This Barbecue is for use with liquid propane (LP) gas only. The conversion to or attempted use of natural gas in this LP gas Barbecue is dangerous, may cause bodily harm and will void your warranty.
- ▲ LP gas characteristics:
 - a. **LP gas is flammable and hazardous if handled improperly. Be** come aware of the characteristics before using any LP gas product.
 - b. LP gas is explosive under pressure, heavier than air, and settles/pools in low areas.
 - c. LP gas in its natural state has no odor. For your safety, an odorant is added that smells like rotten cabbage.
 - d. Contact with LP gas can cause freeze burns to skin.
- ▲ Apartment dwellers: Check with management to learn the requirements and fire codes for using a LP gas Barbecue in your apartment complex.
- ▲ LP gas cylinder needed to operate.
- ▲ The LP gas cylinder must be constructed and marked in accordance with the Specification for LP-gas Cylinders of the U.S. Department of Transportation (D.O.T.) or the National Standard of Canada, CAN/CSA-B339, Cylinders, Spheres and Tubes for the Transportation of Dangerous Goods; and Commission.
- ▲ LP gas cylinder must be arranged for vapor withdrawal.
- ▲ **The LP gas cylinder must have a listed overfilling prevention device (OPD).**
Only use LP gas cylinders equipped with a cylinder connection device compatible with the connection for outdoor cooking appliances.
- ▲ The LP gas cylinder must have a cylinder collar to protect the cylinder valve.
- ▲ Never use an LP gas cylinder with a damaged body, valve, collar or footing.
- ▲ Dented or rusted LP gas cylinder may be hazardous and should be checked by your LP gas supplier prior to use.
- ▲ The LP gas cylinder should not be dropped or handled roughly.
- ▲ LP gas cylinders must be stored outdoors out of reach of children and must not be stored in a building, garage or any other enclosed area. Your cylinder must never be stored where temperatures can reach over 125F.
- ▲ Do NOT insert any tool or foreign object into the valve outlet or safety relief valve. You may damage the valve and cause a leak. **Leaking propane may result in an explosion, fire, severe personal injury or death.**
- ▲ Do NOT block holes in sides or back of Barbecue.
- ▲ Never keep an LP gas cylinder in a hot car or trunk. Heat will cause the gas pressure to increase, which may open the relief valve and allow gas to escape.
- ▲ Place dust cap on cylinder valve outlet whenever the cylinder is not in use. Only install the type of dust cap on the cylinder valve outlet that is provided with the cylinder valve. Other types of caps or plugs may result in leakage of propane.
- ▲ **If Barbecue is not in use, the gas must be turned off at the supply cylinder and disconnected.**
- ▲ Do NOT store a spare LP gas cylinder under or near this appliance. **If not followed, a fire causing death or serious injury may occur.**
- ▲ **Never fill the cylinder beyond 80 percent full. If not followed, a fire causing death or serious injury may occur.**
- ▲ Keep the fuel supply hose away from any heated surfaces.
- ▲ **A fire causing serious injury or damage to property may occur if the** above is not followed exactly.
- ▲ Never attempt to attach this Barbecue to the self-contained LP gas system of a camper trailer, motor home or house.
- ▲ **Never use charcoal, lighter fluid, lava rocks, gasoline, kerosene or alcohol** with this product.
- ▲ Your Barbecue has been checked at all factory connections for leaks. Re-check all connections as described in the "Operating Instructions" section, as shipping can loosen connections.
- ▲ Check for leaks even if your unit was assembled for you by someone else.
- ▲ **Do NOT operate if a gas leak is present. Gas Leaks may cause a fire or explosion.**
- ▲ You must follow all instructions in the "Checking for Leaks" section **before operating. To prevent fire or explosion hazard when testing for a leak:**
 - a. Always perform a leak test before lighting the BBQ and each time the cylinder is connected for use.
 - b. No smoking. Do NOT use or permit sources of ignition in the area while conducting a leak test.
 - c. Conduct the leak test outdoors in a well-ventilated area.
 - d. **Do NOT use matches, lighters, or a flame to check for leaks.**
 - e. The use of alcohol, prescription or non-prescription drugs may impair the consumer's ability to properly assemble or safely operate the appliance.
 - f. Strong odors, colds, sinus congestion, etc. may prevent the detection of propane. Use caution and common sense when testing for leaks.
 - g. Do NOT use Barbecue until any and all leaks are corrected.
If you are unable to stop a leak, disconnect the LP gas supply. Call a gas appliance serviceman or your local LP gas supplier.
- ▲ This Barbecue is designed to operate at an inlet pressure of 11 inches water column.
- ▲ **Do NOT store or use gasoline or other flammable liquids or vapors within 25 feet (7.62 m) of this appliance.**
- ▲ Do NOT use in an explosive atmosphere. Keep Barbecue area clear and **free from combustible materials, gasoline and other flammable vapors and liquids.**
- ▲ Minimum clearance from sides and back of unit to combustible construction is 30 inches (76.2 cm). Do NOT use this appliance under any type of overhang or roof.
- ▲ It is essential to keep the Barbecue's valve compartment, burners and circulating air passages clean.
- ▲ Inspect Barbecue before each use.
- ▲ Do NOT alter Barbecue in any manner. Any alteration will void your warranty.
- ▲ Do NOT use the Barbecue unless it is COMPLETELY assembled and all parts are securely fastened and tightened.
- ▲ Do NOT build this model of Barbecue in any built-in or slide-in construction. **Ignoring this warning could cause a fire or an explosion that can damage property and cause serious bodily injury or death.**
- ▲ This Barbecue should be thoroughly cleaned and inspected on a regular basis.
- ▲ Clean and inspect the hose before each use of the appliance. If there is evidence of abrasion, wear, cuts or leaks, the hose must be replaced prior to operation.
- ▲ Use only the regulator and hose assembly provided. Use only the **placement regulator and hose assembly specified by Captivate Brands USA Inc.**
- ▲ Use only Captivate Brands USA Inc factory authorized parts. The use of any part that is not factory authorized can be dangerous and will void your warranty.
- ▲ Do NOT operate this appliance without reading "Operating Instructions" in this manual.
- ▲ Do NOT attempt to disconnect the gas regulator from the cylinder or any **gas fitting while the Barbecue is in use.**
- ▲ Always place your Barbecue on a hard, non-combustible, level surface. An asphalt or blacktop surface may not be acceptable for this purpose.
- ▲ Move gas hoses as far away as possible from hot surfaces and dripping hot grease.

- ▲ Do NOT touch metal parts of Barbecue until they have completely cooled to avoid burns, unless you are wearing protective gear (pot holders, gloves, BBQ mittens, etc.)
- ▲ Do NOT install or use in or on boats or recreational vehicles.
- ▲ **When cooking, fire extinguishing materials should be readily accessible. In the event of an oil/grease fire, do NOT attempt to extinguish with water. Use type BC dry chemical fire extinguisher or smother with dirt, sand or baking soda.**
- ▲ Do NOT use Barbecue i high winds.
- ▲ Never lean over the Barbecue when lighting.
- ▲ Do NOT leave a lit Barbecue unattended. Keep children and pets away from Barbecue at all times.
- ▲ **Do NOT leave Barbecue unattended while preheating or burning off food residue on high. If Barbecue has not been cleaned, a grease fire can occur that may damage the product.**
- ▲ DO NOT place empty cooking vessels on the appliance while in operation.
- ▲ Use caution when placing anything on the Barbecue while the appliance is in operation.
- ▲ Do NOT attempt to move Barbecue when in use. Allow the Barbecue to cool before moving or storing.
- ▲ LP gas cylinder must be properly disconnected and removed prior to moving this Barbecue.
- ▲ Storage of Barbecue indoors is permissible only if the cylinder is disconnected, removed from the Barbecue and properly stored outdoors.
- ▲ Keep all electrical cords away from a hot Barbecue.
- ▲ After a period of storage and/or nonuse, check for leaks, burner obstructions and inspect for any abrasion, wear or cuts to the hose.
- ▲ Failure to open side shelves while igniting the Barbecue's burners, or not waiting 5 minutes to allow the gas to clear if the Barbecue does not light, **may result in an explosive flame-up.**
- ▲ Always use a meat thermometer to ensure food is cooked to a safe temperature.
- ▲ Use protective gloves when assembling this product.
- ▲ Do NOT force parts together as this can result in personal injury or damage to the product.
- ▲ Never cover entire cooking area with aluminium foil.
- ▲ Deaths, serious injury or damage to property may occur if the above is not followed exactly.
- ▲ Using pan larger than 240mm diameter in capacity could exceed weight limit of the side burner shelf
- ▲ Do not modify the appliance.
- ▲ **This appliance must be kept away from flammable materials during use.**
- ▲ This outdoor cooking gas appliance is not intended to be installed in or on boats. For other than RV grills, a statement that this appliance is not intended to be installed in or on recreational vehicles.

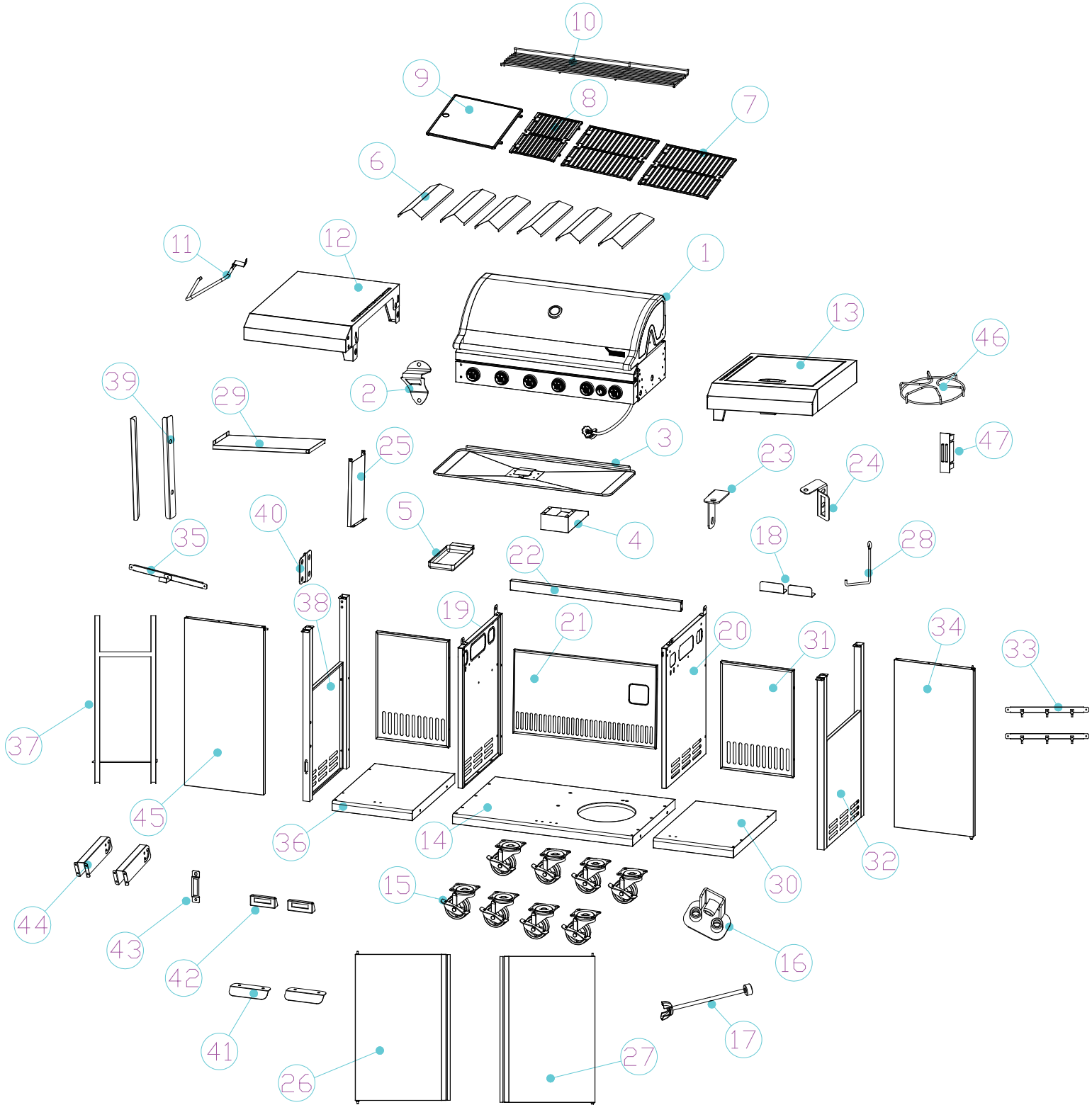
The installation must conform with local codes or, in the absence of local codes, with either the National Fuel Gas Code, ANSI Z223.1/NFPA 54, or the Natural Gas and Propane Installation Code, CSA B149.1, or the Propane Storage and Handling Code, CSA B149.2

- 1) keeping outdoor cooking gas appliance area clear and free from combustible materials, gasoline and other flammable vapors and liquids.
- 2) not obstructing the flow of combustion and ventilation air.
- 3) keeping the ventilation opening(s) of the cylinder enclosure free and clear from debris.



WARNING: This product can expose you to chemicals including formaldehyde and lead, which is known to the State of California to cause cancer, and carbon monoxide and lead, which is known to the State of California to cause birth defects or other reproductive harm. For more information go to WWW.P65WARNINGS.CA.GOV.



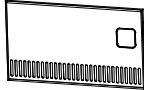







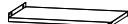
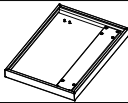





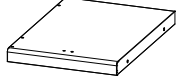
Expanded View



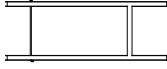




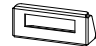




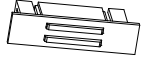
PART LIST

	ITEM DESCRIPTION	QUANTITY	PICTURE
01	Body Assembly	1	
02	Bottle Opener	1	
03	Grease Pan	1	
04	Grease Cup Support	1	
05	Grease Cup	1	
06	Heat Shield	6	
07	Cooking Grill	2	
08	Cooking Grill	1	
09	Hotplate	1	
10	Warming Rack	1	
11	Paper Towel Holder	1	
12	Left Side Shelf	1	
13	Right Side Shelf	1	
14	Cart Bottom Panel	1	
15	Castor	8	
16	Gas Cylinder Fixture Support	1	
17	Cart Cylinder Fixture	1	
18	Magnet Panel	2	







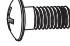



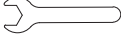

PART LIST

	ITEM DESCRIPTION	QUANTITY	PICTURE
19	Cart Left Side Panel	1	
20	Cart Right Side Panel	1	
21	Cart Back Panel	1	
22	Cart Front Upper Beam	1	
23	Cart Frame Left Fixture	1	
24	Cart Frame Right Fixture	1	
25	Cabinet Internal Panel 1	1	
26	Cart Left Door Panel	1	
27	Cart Right Door Panel	1	
28	Hotplate/Grill Hook	1	
29	Cabinet Internal Panel 2	1	
30	Right Cabinet Bottom Panel	1	
31	Side Cabinet Back Panel	2	
32	Right Cabinet Side Panel	1	
33	Right Cabinet Hook Support	2	
34	Right Cabinet Door Panel	1	
35	Left Cabinet Door Leg Support	1	
36	Left Bottom Cabinet Panel	1	

PART LIST

	ITEM DESCRIPTION	QUANTITY	PICTURE
37	Left Cabinet Door Leg	1	
38	Left Cabinet Side Panel	1	
39	Side Door Stopper	2	
40	Left Cabinet Door Pin Support	1	
41	side Cabinet Door Handle	2	
42	Side Cabinet Door Bottom Magnet	2	
43	Side Cabinet Side Magnet Panel	1	
44	Left Cabinet Door Leg Support	2	
45	Left Cabinet Door	1	
46	Side Burner Rack	1	
47	Magnet	1	

FASTENERS

	ITEM DESCRIPTION	QUANTITY	PICTURE
A	M6X12MM PHILIPS HEAD SCREW	49	
B	M4X12MM PHILIPS HEAD SCREW	48	
C	M6X40MM PHILIPS HEAD SCREW	4	
D	M6*40 Step screw	4	
E	M6 hexagon check nut	4	
F	Ø6.2* Ø16FLAT WASHER	8	
G	M4 STEPED PHILIPS HEAD SCREW	1	
H	M6X16MM PHILIPS HEAD SCREW	32	
K	Ø6.2 Spring washer	32	
I	Ø6.2* Ø10FLAT WASHER	32	
	Wrench	1	
	Screw Driver (NOT PROVIDED)	1	

ASSEMBLY INSTRUCTIONS

Step 1

DO NOT RETURN TO PLACE OF PURCHASE.

For assistance, call 1.855.200.8445 toll-free. Please have your owner's manual and model number available for reference.

Note: The model number is printed on a label which can be found on the cabinet door.

Assembly Tips:

1. Select an area where you will assemble this product. To protect components, choose a smooth surface that's free of cracks or openings.
2. Spread out all parts.
3. Tighten all hardware connections by hand first. Then, before completing each step, go back and fully tighten all hardware.
Be careful not to over-tighten. That could damage surfaces or strip threads.
4. For best results, complete each step in the order presented.

To complete assembly you will need:

- (1) Leak detection solution (instructions on how to make the solution are included in the "Operating Instructions" section of this manual).
- (1) Precision-filled LP gas grill tank with Acme Type 1 external threaded valve connection.

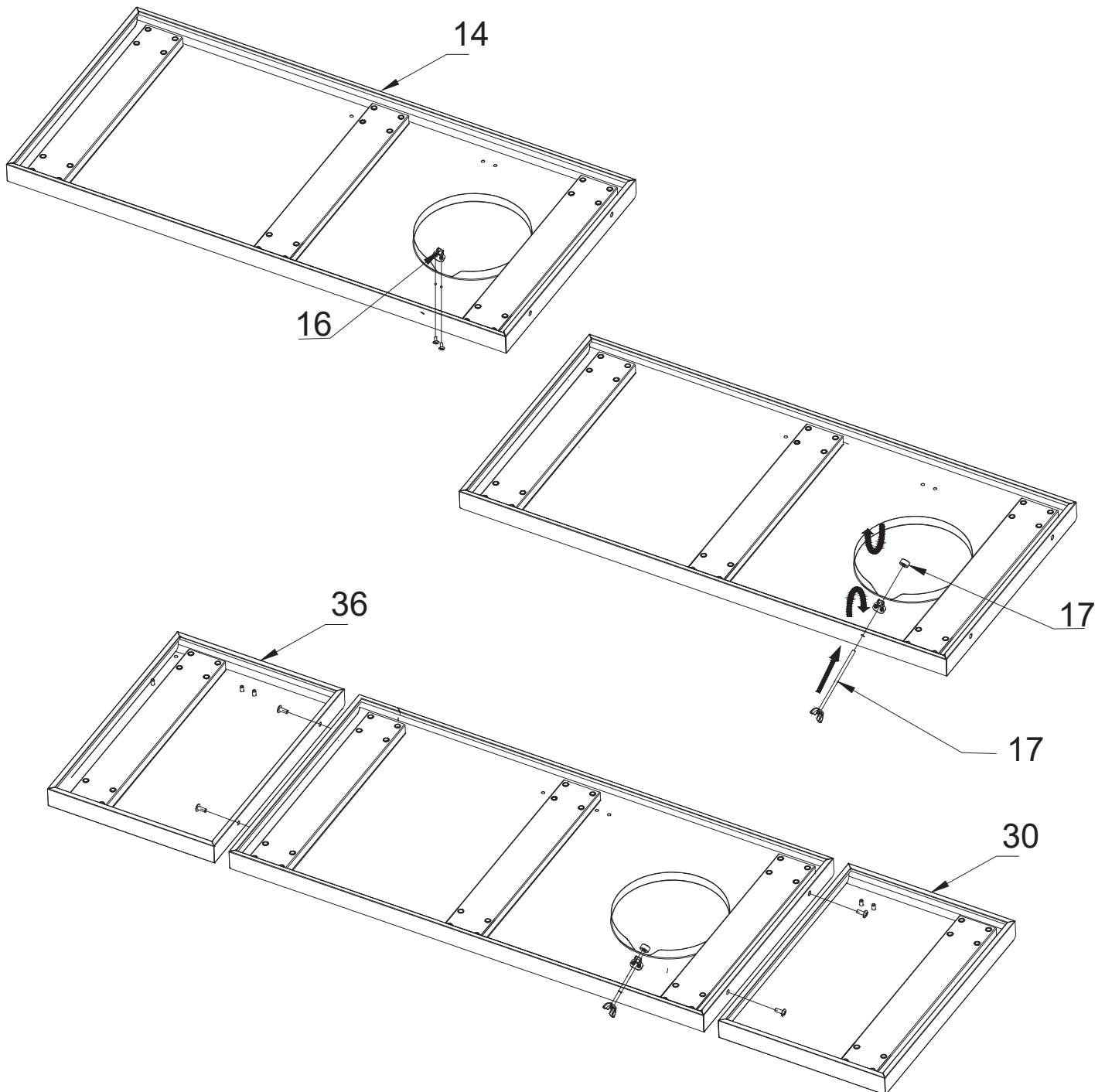
Typical assembly is approximately one hour.

 CAUTION: Two (2) people are required for assembly.

ASSEMBLY INSTRUCTIONS (CONTINUE)

Step 2

- Turn Cart Bottom Panel (14) over and attach Gas Cylinder Fixture Support (16) with two screws (A).
- Insert Cart Cylinder Fixture (17) through rear edge of Cart Bottom Panel (14) and Gas cylinder fixed support (16).
- Attach Left Bottom Cabinet Panel (36) to Cart Bottom Panel (14) with two screws (A).
- Repeat STEP 2 c) for right side as shown in the diagram.

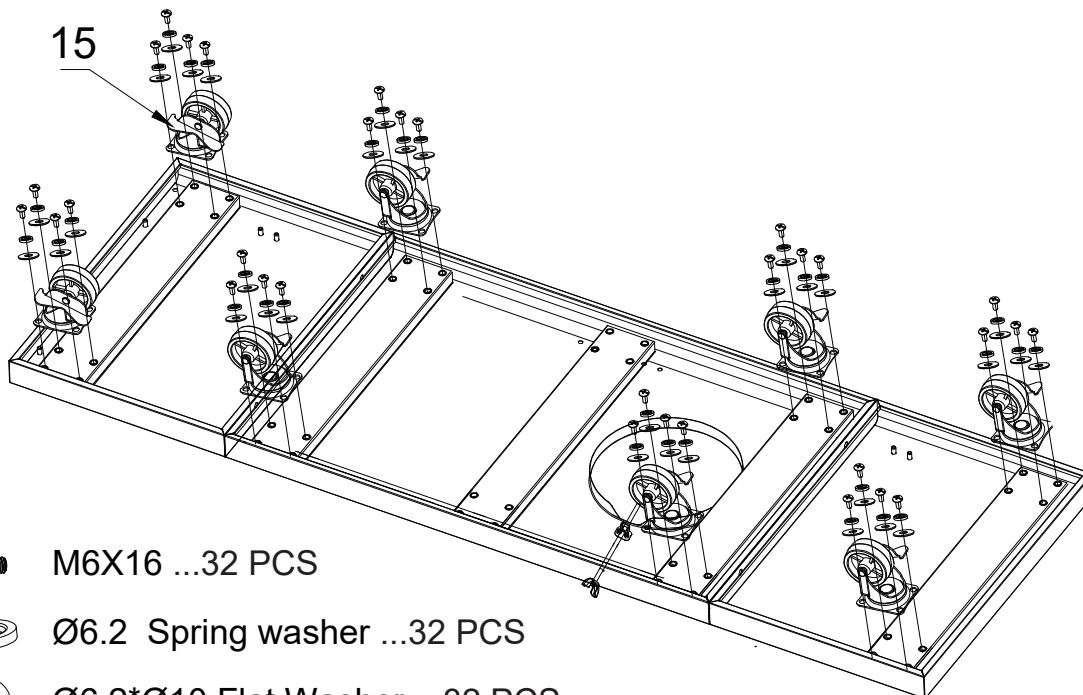





A.  M6X12 ...6 PCS

ASSEMBLY INSTRUCTIONS (CONTINUE)

Step 3

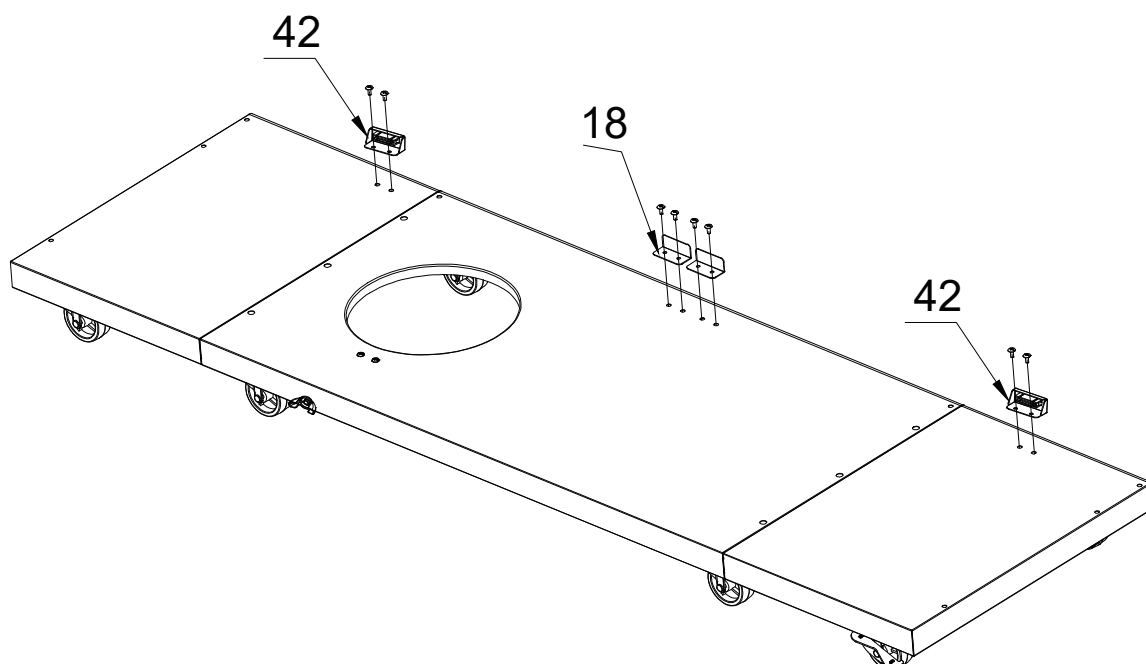
- a) Attach all eight Castors (15) onto the Cabinet Base Assembly prepared in Step 2, with four screws (H), four spring washer (K) and four flat washer (I) for each wheel as shown in the diagram the below.



- H.  M6X16 ...32 PCS
K.  Ø6.2 Spring washer ...32 PCS
I.  Ø6.2*Ø10 Flat Washer ...32 PCS

Step 4

- a) Turn the Cabinet Base Assembly over.
b) Secure one Side Cabinet Door Bottom Magnet (42) to Left Bottom Cabinet Panel (36) with two screws (B).
c) Repeat STEP 3 b) for Right Cabinet Bottom Panel (30).
d) Attach both Magnet Panel (18) to Cart Bottom Panel (14) with two screws (B) for each as shown in the diagram.

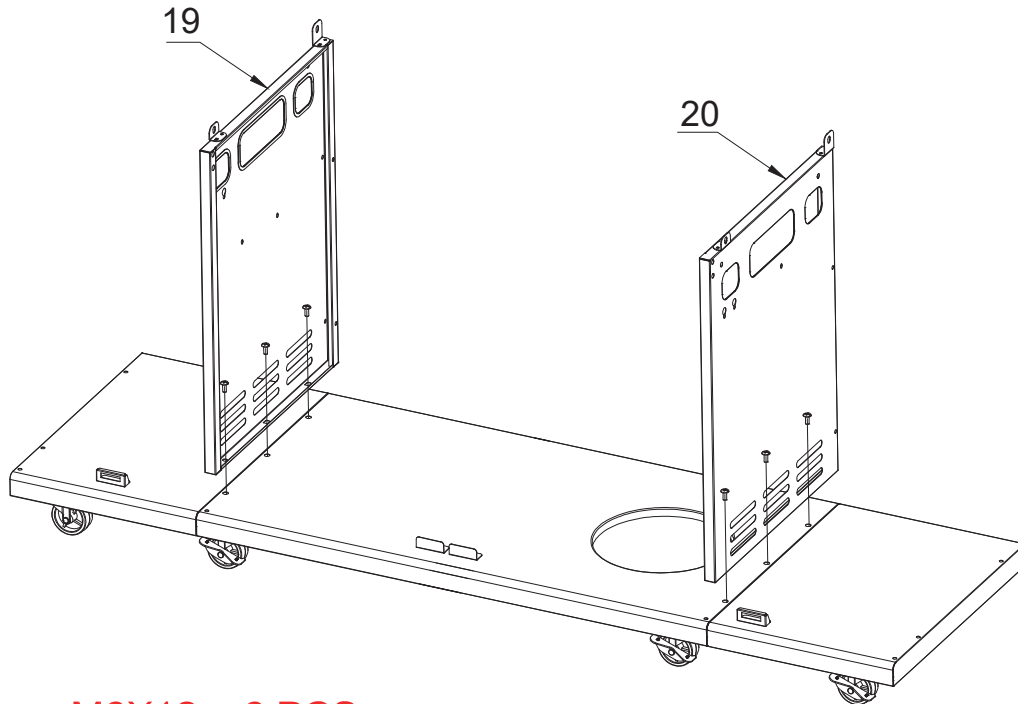


- B.  M4X12 ...8 PCS

ASSEMBLY INSTRUCTIONS (CONTINUE)

Step 5

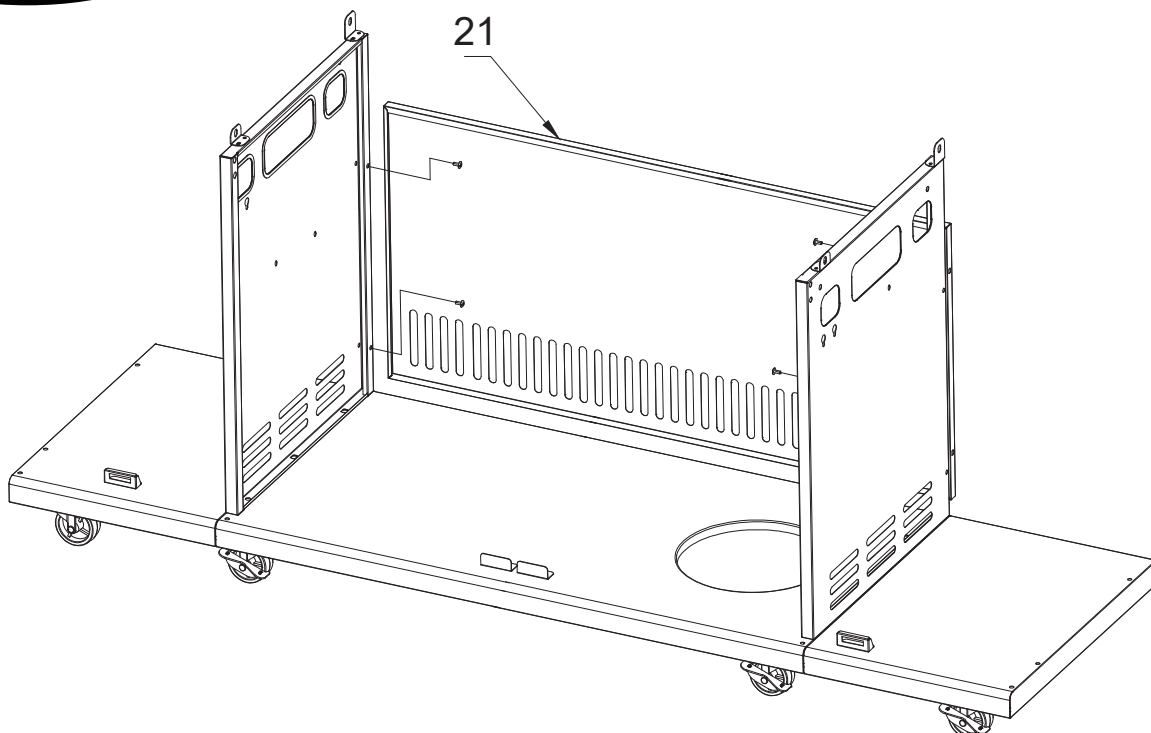
- a) Attach Cart Left Side Panel (19) and Cart Right Side Panel (20) onto the Cart Bottom Panel (14) and secure with three screws (A) on each panel as shown in the diagram.



A.  M6X12 ...6 PCS

Step 6

- a) Attach Cart Back Panel (21) between Cart Left Side Panel (19) and Cart Right Side Panel (20) with two screws (B) on each side as shown in the diagram.

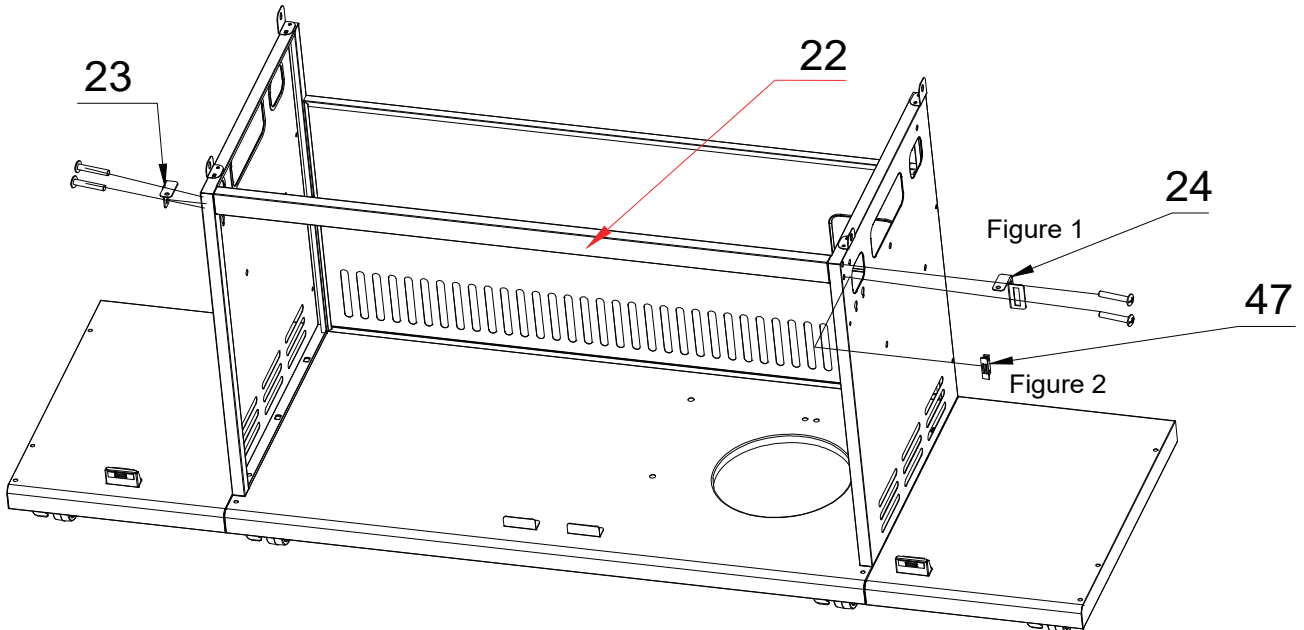


B.  M4X12 ...4 PCS

ASSEMBLY INSTRUCTIONS (CONTINUE)

Step 7

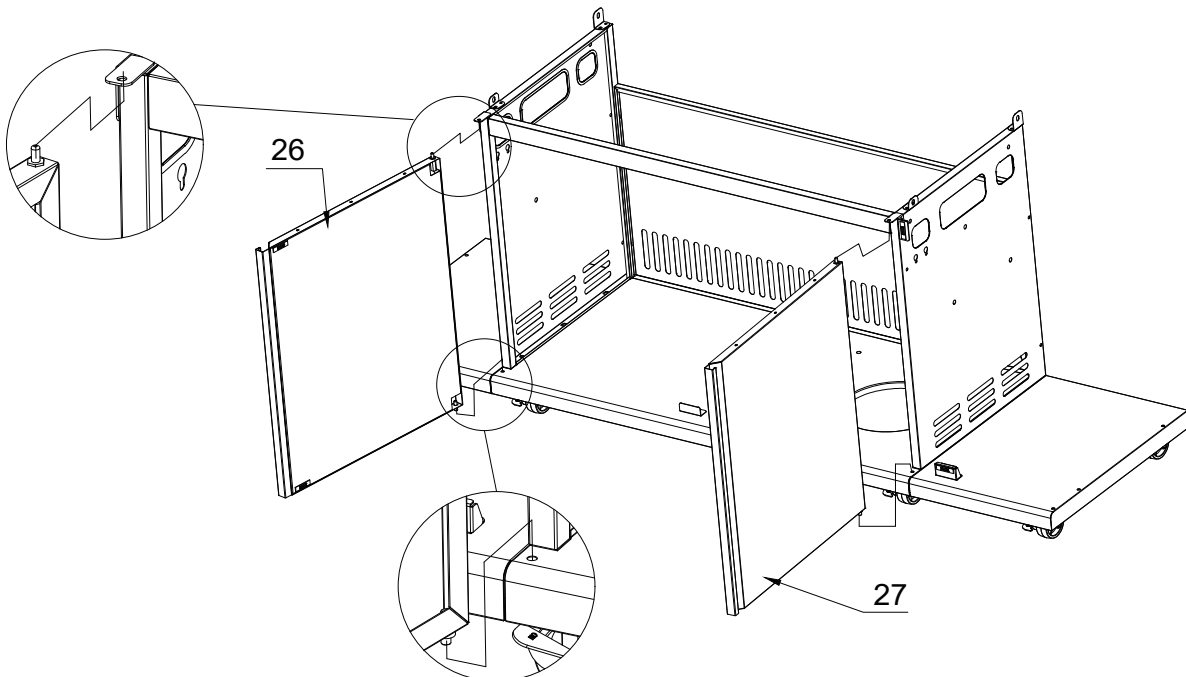
- Insert two screws (C) through Cart Frame Left Fixture (23) and Cart Left Side Panel (19) into Cart Front Upper Beam (22) and tighten screws.
- Repeat STEP 7 a) for right side as shown in the diagram.



C.  M6X40 ...4 PCS

Step 8

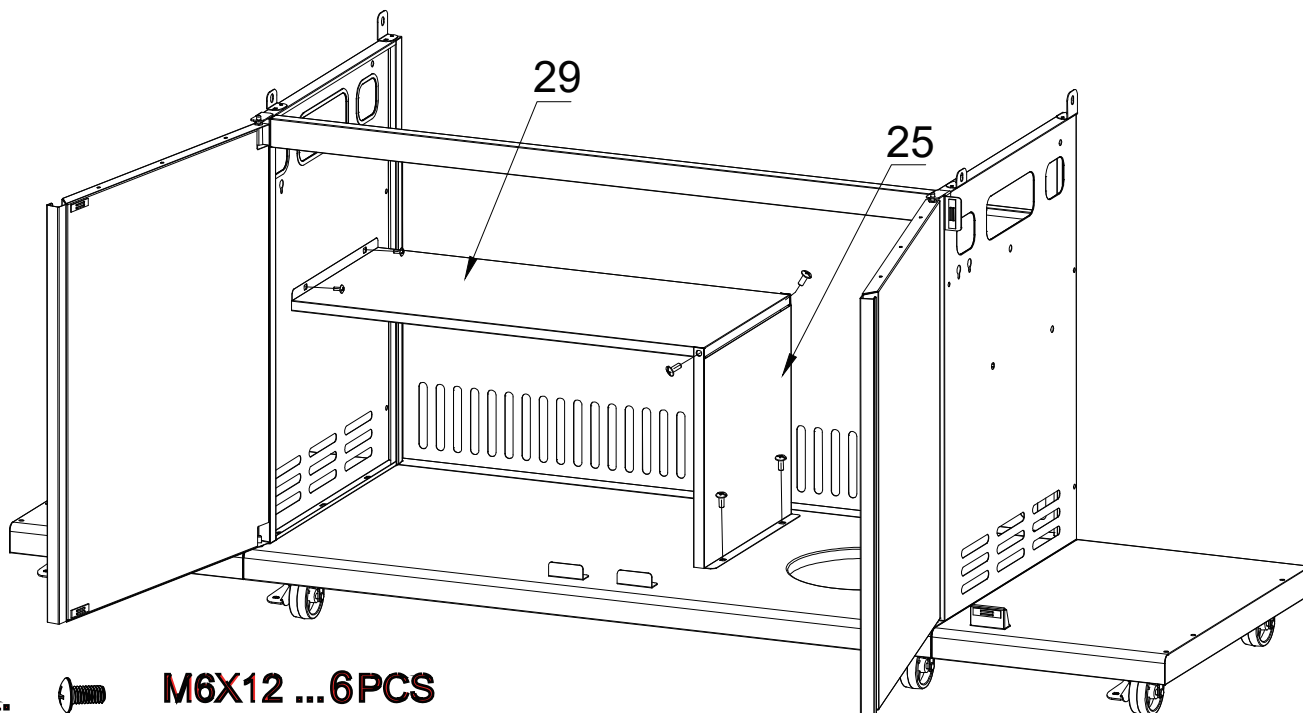
- Attach the Cart Left Door (26) by inserting the bottom fixed door pin into pre-drilled hole found in Cart Bottom Panel (14).
- Next press the top spring door pin and slide into the Cart Frame Left Fixture (23).
- Repeat STEP 8 a-b) for Cart Right Door (27) as shown in the diagram.



ASSEMBLY INSTRUCTIONS (CONTINUE)

Step 9

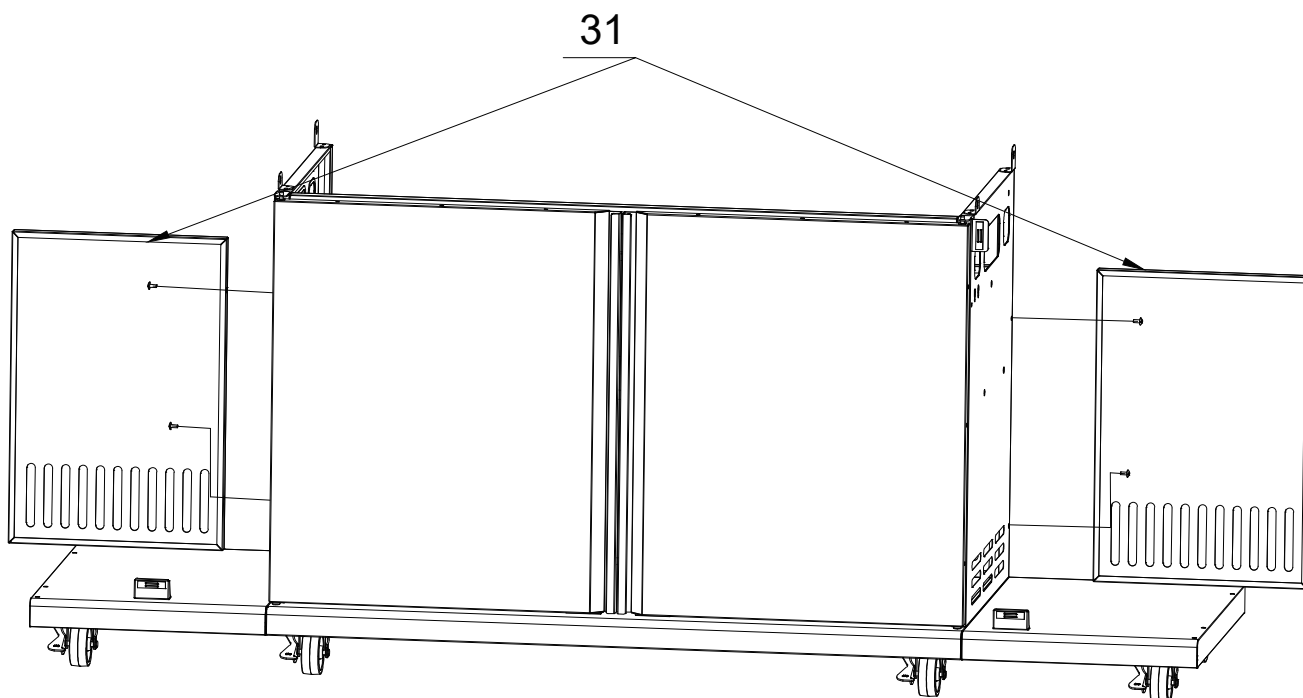
- Attach Cabinet Internal Panel 1 (25) to Cart Bottom Panel (14) with two screws (A).
- Attach Cabinet Internal Panel 2 (29) to Cart Left Side Panel (19) with two screws (A).
- Secure both panels together with two screws (A) as shown in the diagram.




A.  **M6X12 ...6PCS**

Step 10

- Attach one Side Cabinet Back Panel (31) to the left rear side of prepared frame assembly with two screws (B).
- Repeat STEP 10 a) for right side as shown in the diagram.

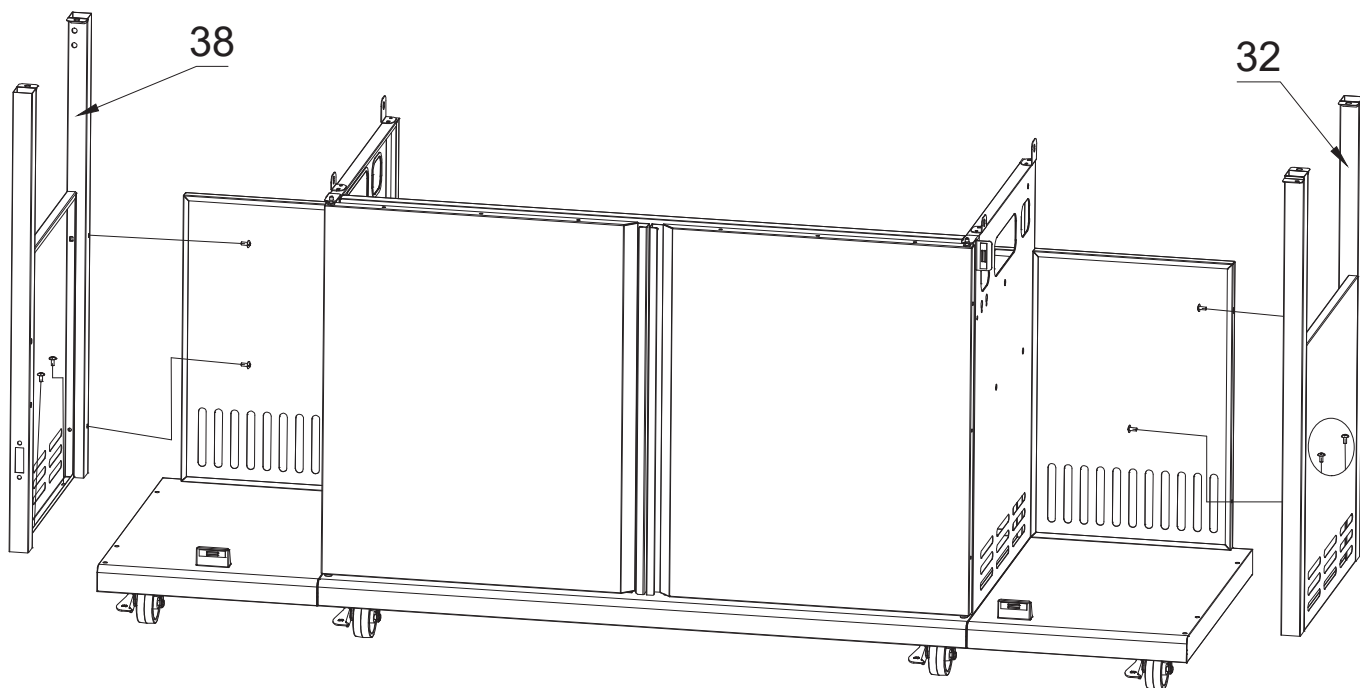



B.  **M4X12 ...4 PCS**

ASSEMBLY INSTRUCTIONS (CONTINUE)

Step 11

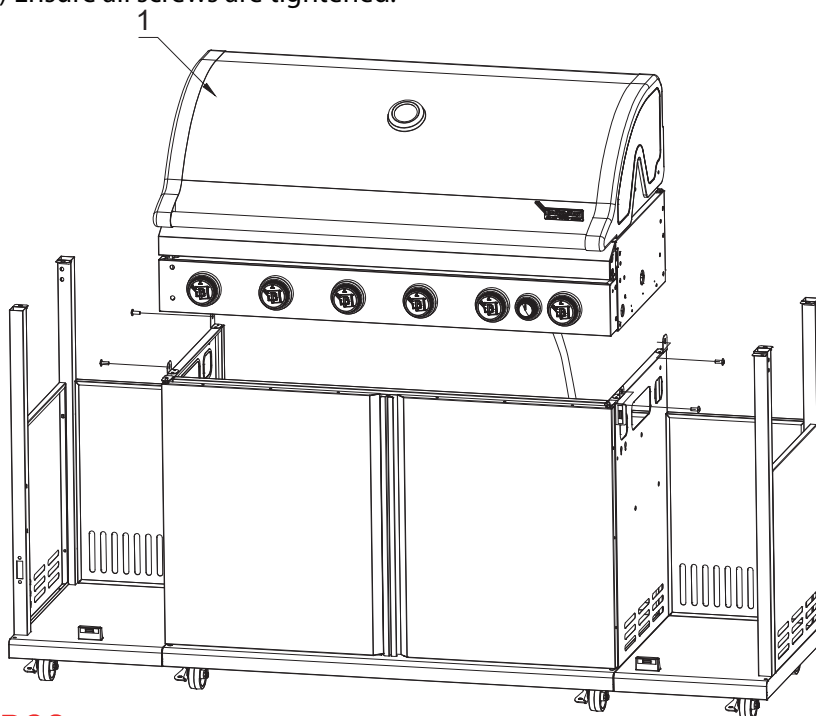
- Attach the Left Cabinet Side Panel (38) with four screws (B), two screws for the bottom edge and two screws for the rear side edge.
- Repeat the same procedure for the Right Cabinet Side Panel (32) as shown in the diagram.



B.  M4X12 ...8 PCS

Step 12

- With the help of another person, lift and place the Body Assembly (1) onto the prepared frame unit and secure with four screws (A) as shown in the diagram.
- Ensure all screws are tightened.

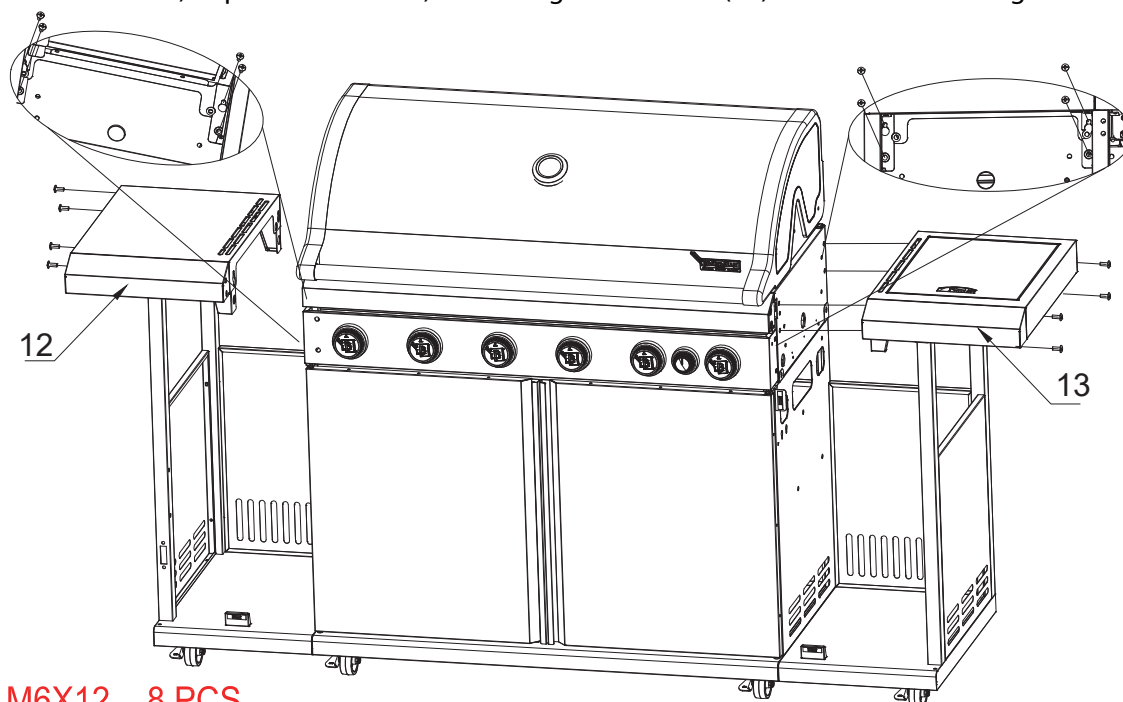


A.  M6X12 ...4 PCS

ASSEMBLY INSTRUCTIONS (CONTINUE)

Step 13

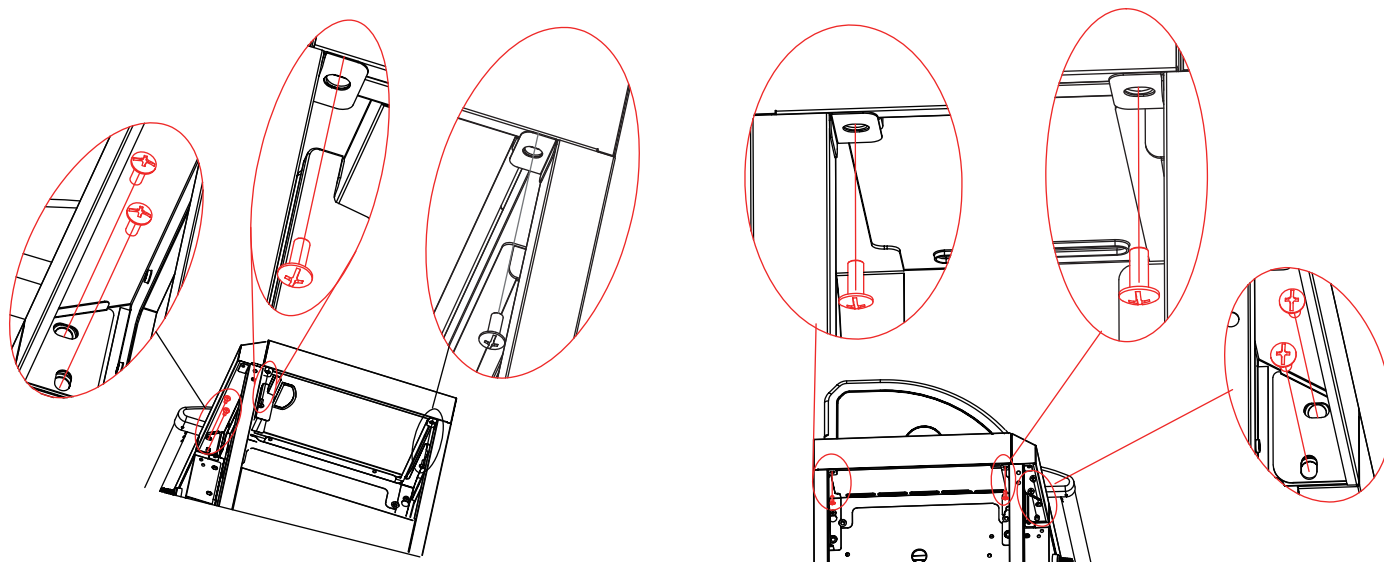
- Attach Left Side Shelf (12) by partially fastening two screw (A) into left side of firebox leaving screws extended by approximately $\frac{1}{4}$ inch.
- Align Left Side Shelf (12) onto extended screws. Press down on the Left Side Shelf (12) to lock it onto the screws.
- Align and secure with a further two screws (A).
- Repeat STEP 13 a-c) for the Right Side Shelf (13) as shown in the diagram.



A.  M6X12 ...8 PCS

Step 14

- Further secure the Left Side Shelf (12) with two more screws (A) on the front of the side shelf into the Firebox Assembly.
- Then an additional two screws (A) at the front and back to secure with Left Cabinet Side Panel.
- Repeat STEP 14 a-b) for the Right Side Shelf (13) as shown in the diagram.

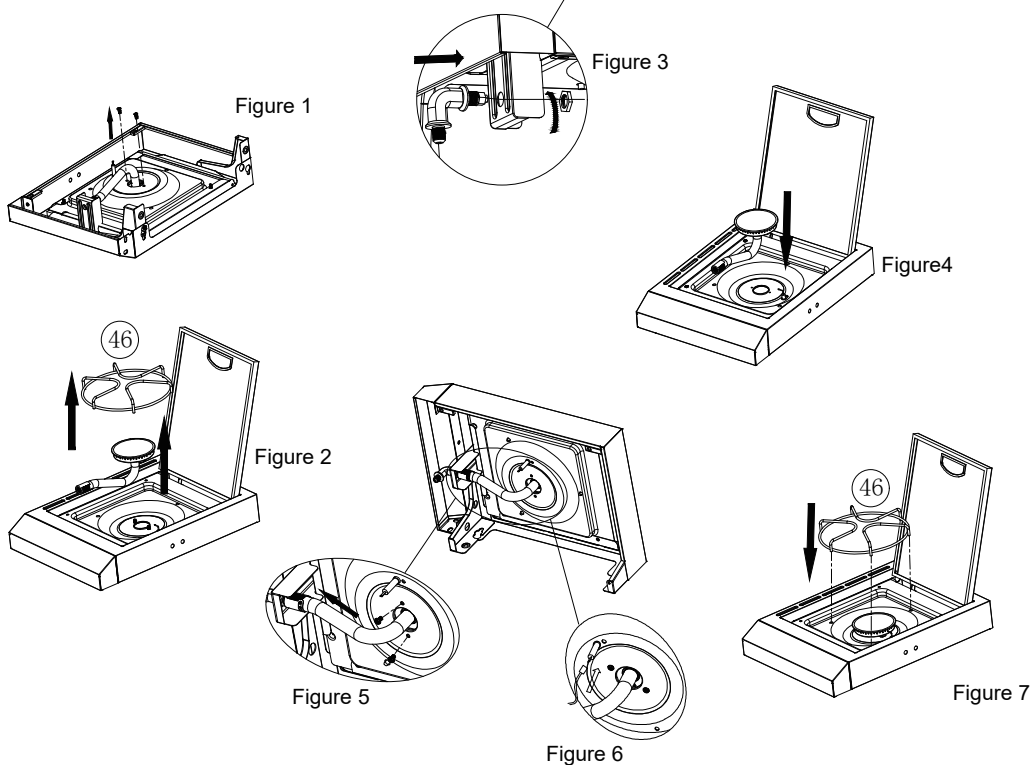
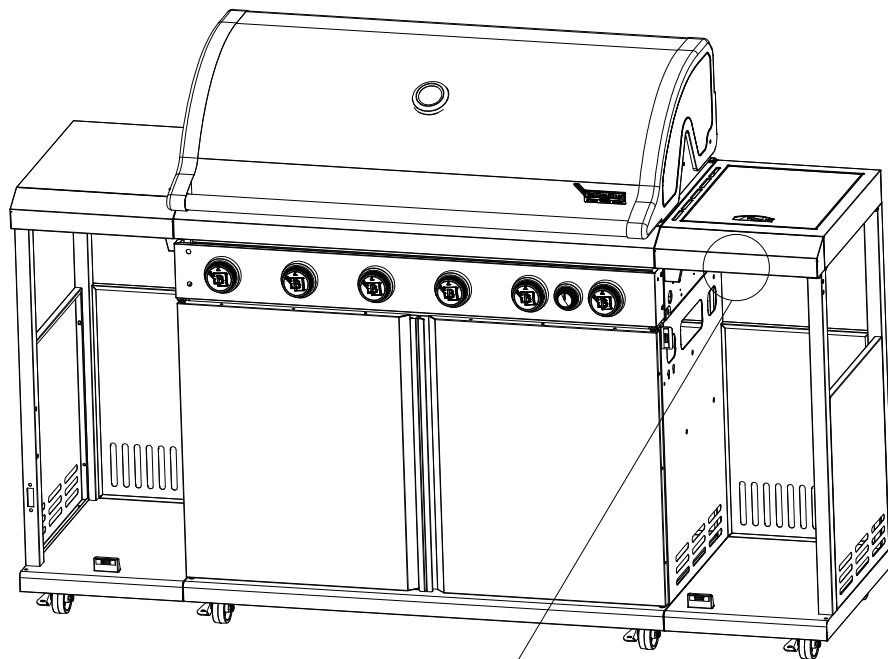


A.  M6X12 ...8 PCS

ASSEMBLY INSTRUCTIONS (CONTINUE)

Step 15

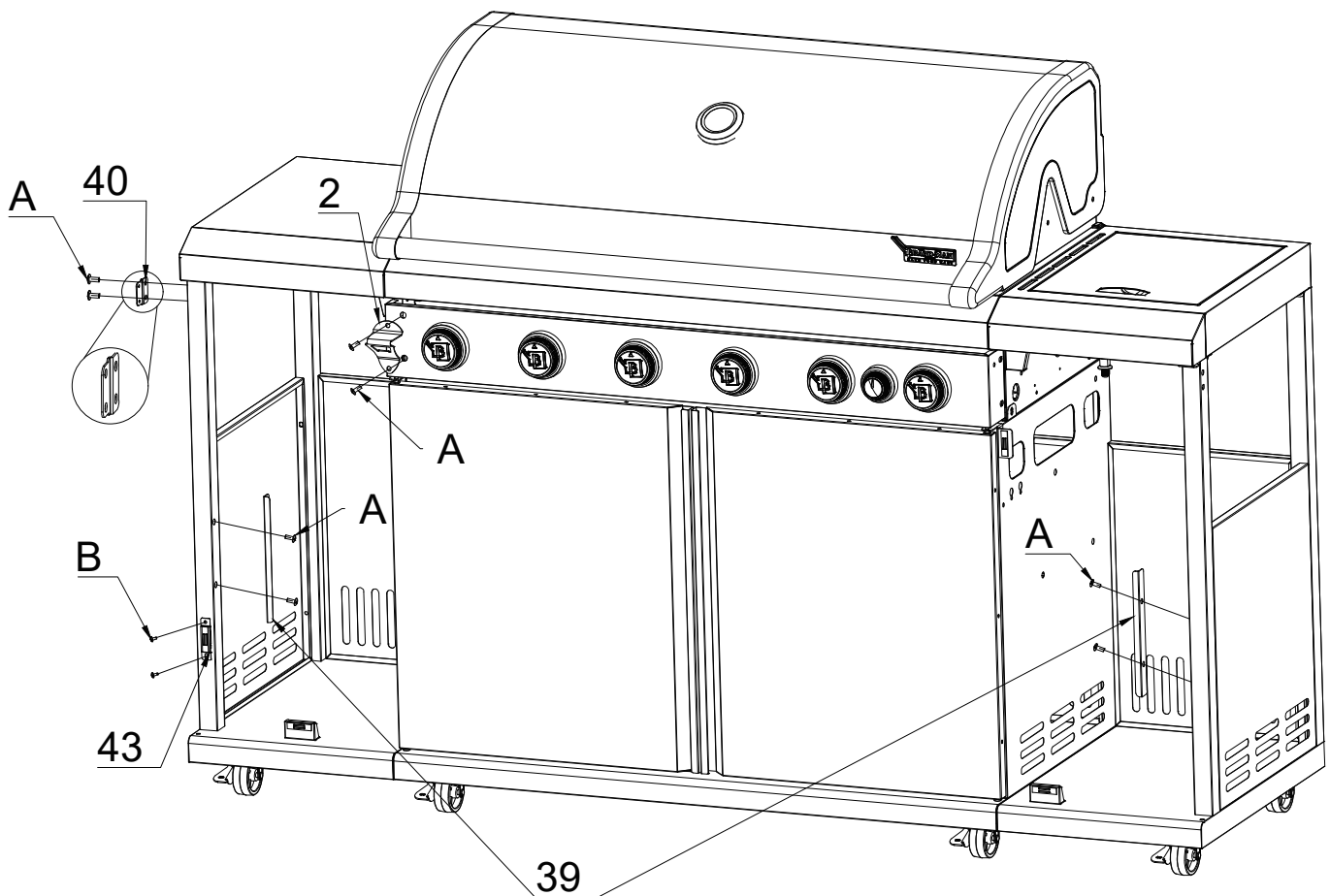
- a) Unscrew the side burner as shown in Figure 1.
- b) Remove the side burner rack and side burner as shown in Figure 2.
- c) Attach the side burner nozzle onto the bracket under the Right Side Shelf as shown in Figure 3.
- d) Re-assemble the side burner, ensure the side burner nozzle enters into the burner pipe and fix it as shown in Figure 5.
- e) Connect the ignition line by inserting it onto the electrode (Figure 6).
- f) Put back the side burner rack as shown in Figure 7.



ASSEMBLY INSTRUCTIONS (CONTINUE)

Step 16

- Install the Left Cabinet Door Pin Support (40) onto the front top side of the Left Cabinet Side Panel (38) with two screws (A) as shown,
- Next install the Side Cabinet Down Side Door Magnet (43) on the front of the Left Cabinet Side Panel (38) with two screw (B) as shown.
- Attach the Bottle opener (2) with two screws (A) to frame control panel as shown in diagram.
- Attach the two Side Door Stoppers (39) with two screws (A) for each as shown below.



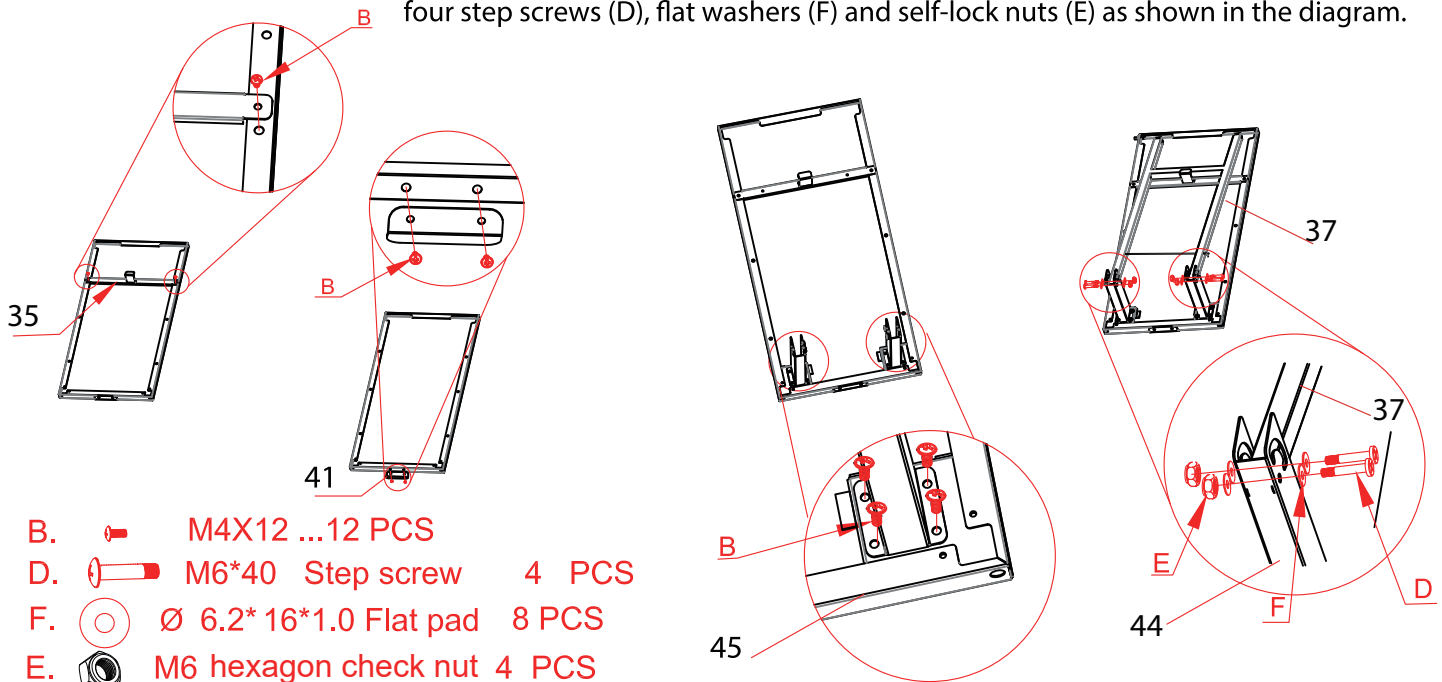
A.  M6X12 ...8 PCS

B.  M4X12 ...2 PCS

ASSEMBLY INSTRUCTIONS (CONTINUE)

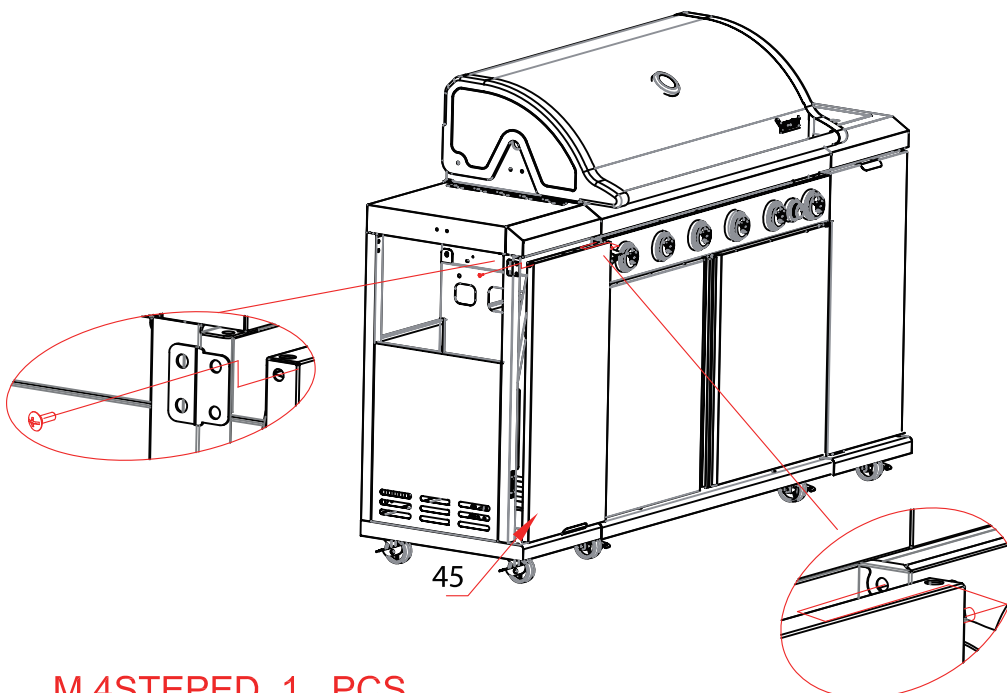
Step 17

- Attach one Side Cabinet Door Handle (41) to bottom edge of Left Cabinet Door (45) with two screws (B) as shown in the diagram.
- Attach the Left Cabinet Door Support (35) to Left Cabinet Door (45) with two screws (B).
- Install Left Cabinet Door Leg Supports (44) to bottom of Left Cabinet Door (45) with two screws (B) for each.
- Attach Left Cabinet Door Leg (37) to both Left Cabinet Door Leg Supports (44) with four step screws (D), flat washers (F) and self-lock nuts (E) as shown in the diagram.



Step 18

- To attach the Left Cabinet Door (45) onto the left side cabinet, insert the door pin located on the right of the Left Cabinet Door (45) into the left side of the Body Assembly.
- Then fasten with one step screw (G) through the Left Cabinet Door Pin Support (40) into the Left Cabinet Door (45) as shown in diagram.

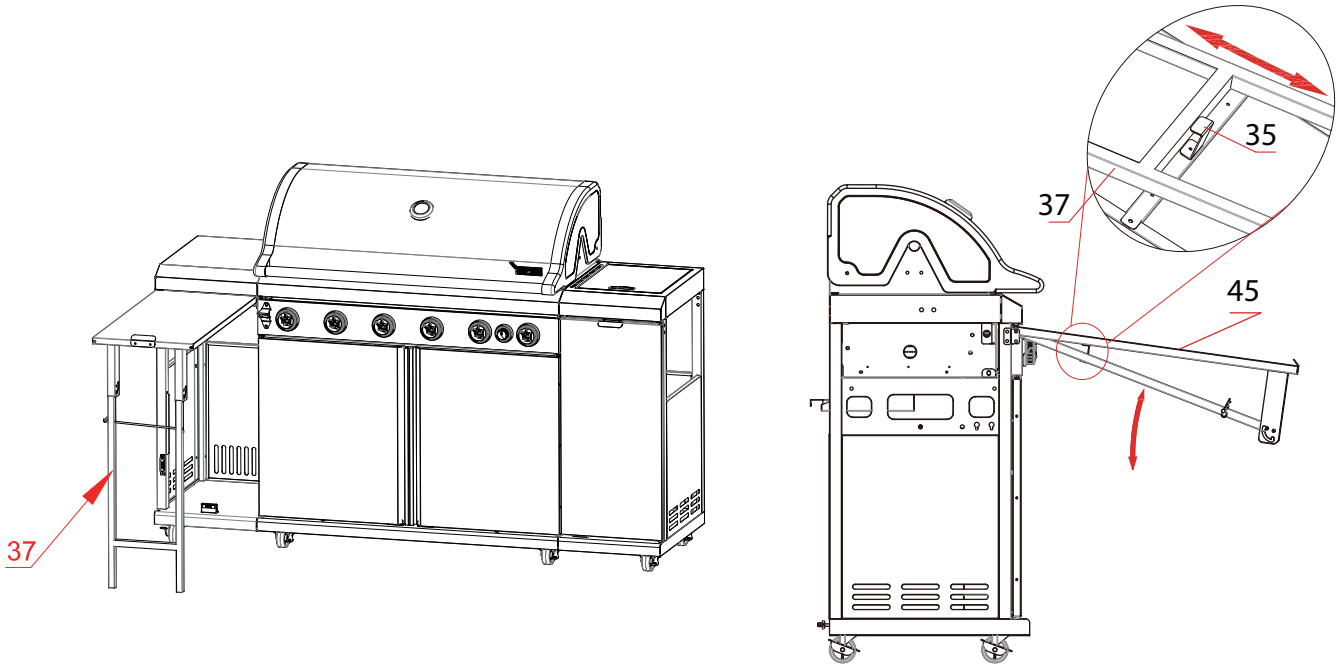


- G. M 4STEPED 1...PCS

ASSEMBLY INSTRUCTIONS (CONTINUE)

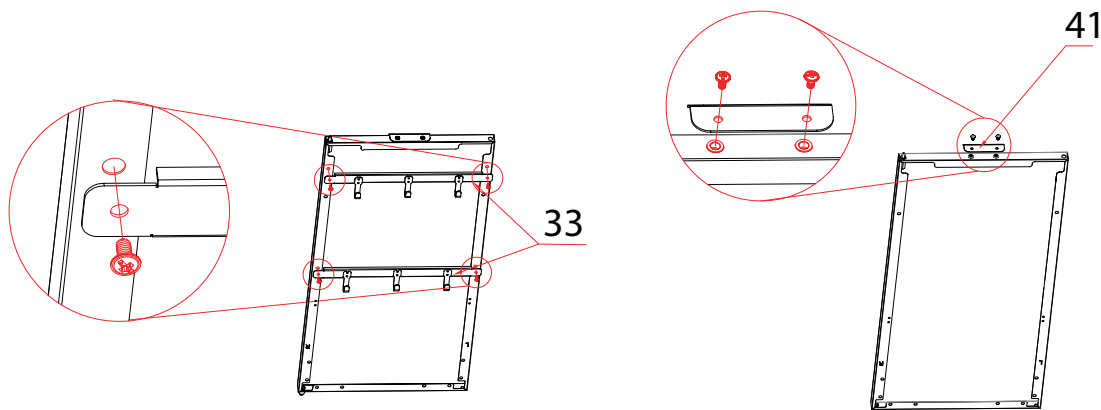
Step 19

- To open Left Cabinet Door (45), lift bottom of door up and unfold Left Cabinet Door Leg (37) forming additional counter space.
- To close, fold the Leg (37) back and rest it on the Support (35) as shown in below diagram.



Step 20

- Attach the remaining Side Cabinet door handle (41) to top edge of Right Cabinet Door Panel (34) with two screws (B) as shown in the diagram.
- Fasten both Right Cabinet Hook Support (33) with two screws for each Right Cabinet Hook Support (33) as shown in the diagram.

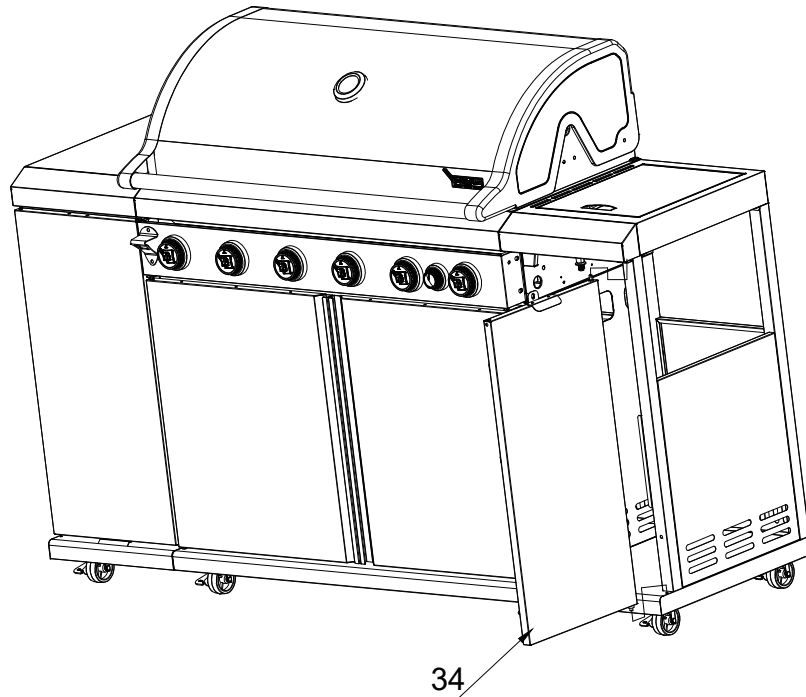


B.  M4X12 ...6 PCS

ASSEMBLY INSTRUCTIONS (CONTINUE)

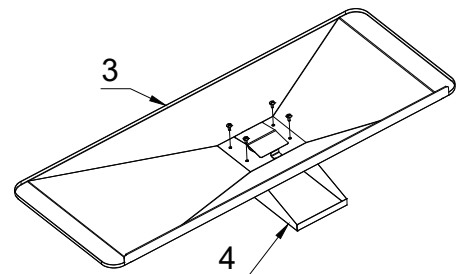
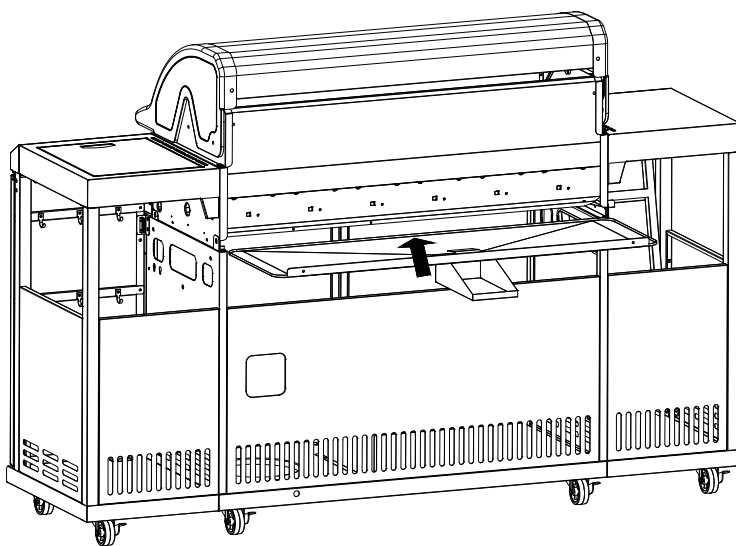
Step 21


- Attach the Right Cabinet Door Panel (34) by inserting the bottom fixed door pin into the pre-drilled hole found in Right Cabinet Bottom Panel (30).
- Next press the top spring door pin and slide into place as shown in the diagram.



Step 22

- Attach Grease Cup Support (4) onto the Grease Pan (3) with four screws (B) as shown.
- Place the prepared Grease Pan under the firebox from the back as shown in the diagram.

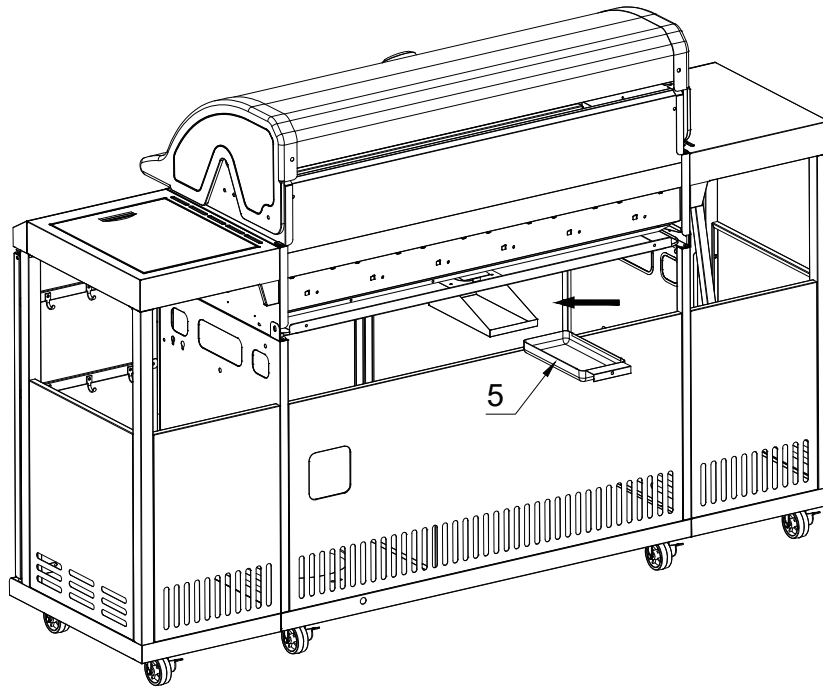


B.  M4X12 ...4 PCS

ASSEMBLY INSTRUCTIONS (CONTINUE)

Step 23

Insert the Grease Cup (5) into the Grease Cup Support (4) as shown in the diagram.



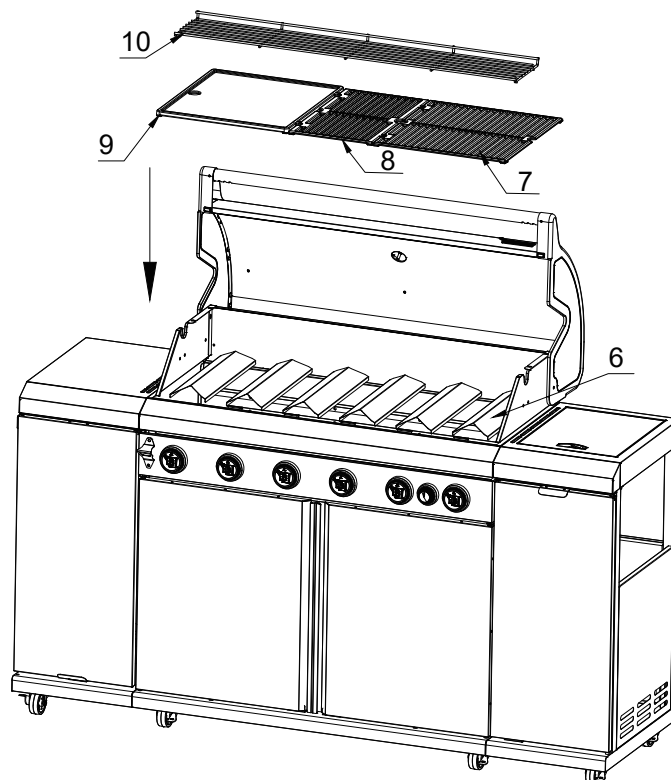
Step 24

- Open the barbecue hood and place the six Flame Tamers (6) over the top of the burners.
- Insert the two Cooking Grill (7) and one Cooking Grill (8) into the firebox as shown below. Alternatively, one Hotplate (9) and one Cooking Grill (7) with one Cooking Grill (8) can be used in the firebox.

Warning: Please make sure the Hotplate (9) is placed in the left side of firebox.

- Place Warming Rack (10) on the firebox side panels.

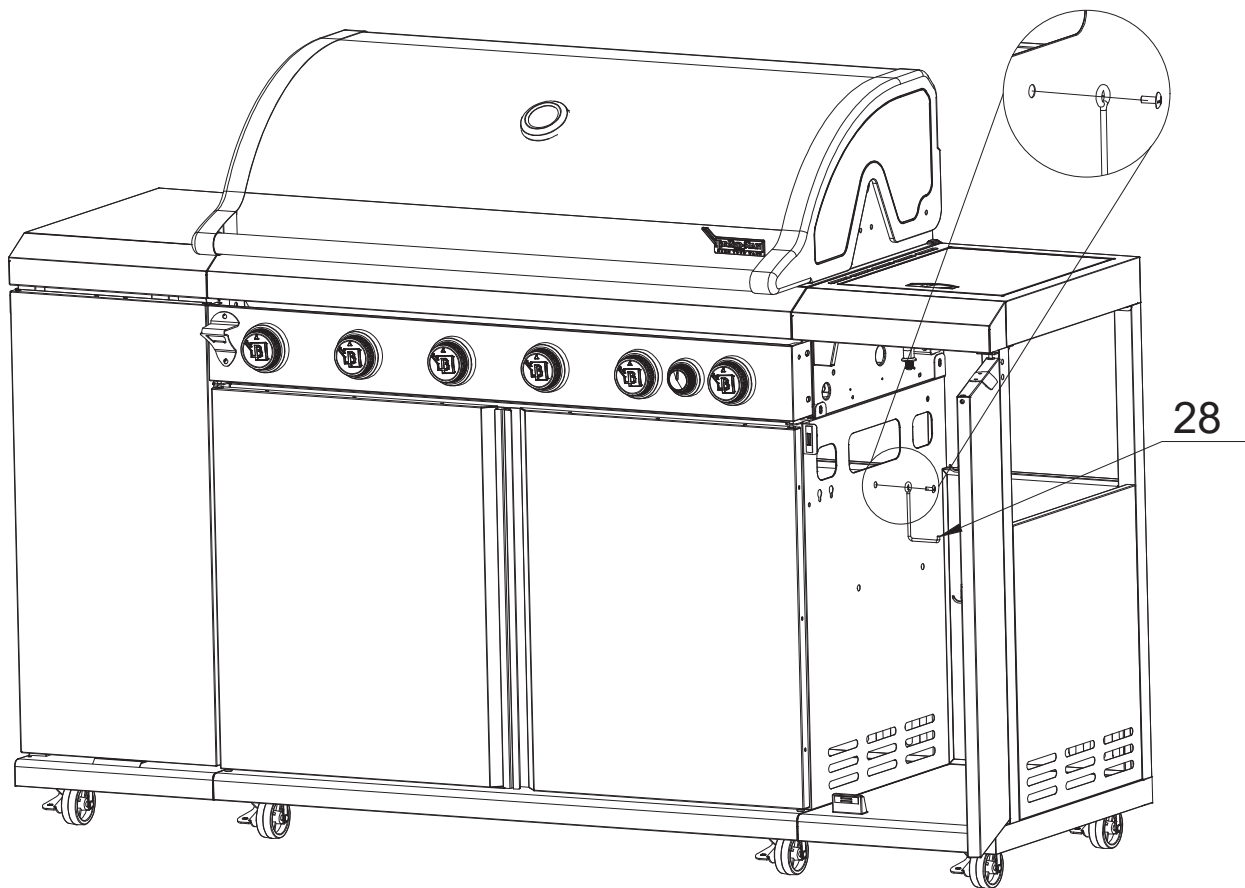
CAUTION: Please remove the 2pcs Flame tamer (6) when cooking with Hotplate (9).



ASSEMBLY INSTRUCTIONS (CONTINUE)

Step 25

a) Attach the Hook (28) with one screw (A) in the right side cabinet as shown in diagram.

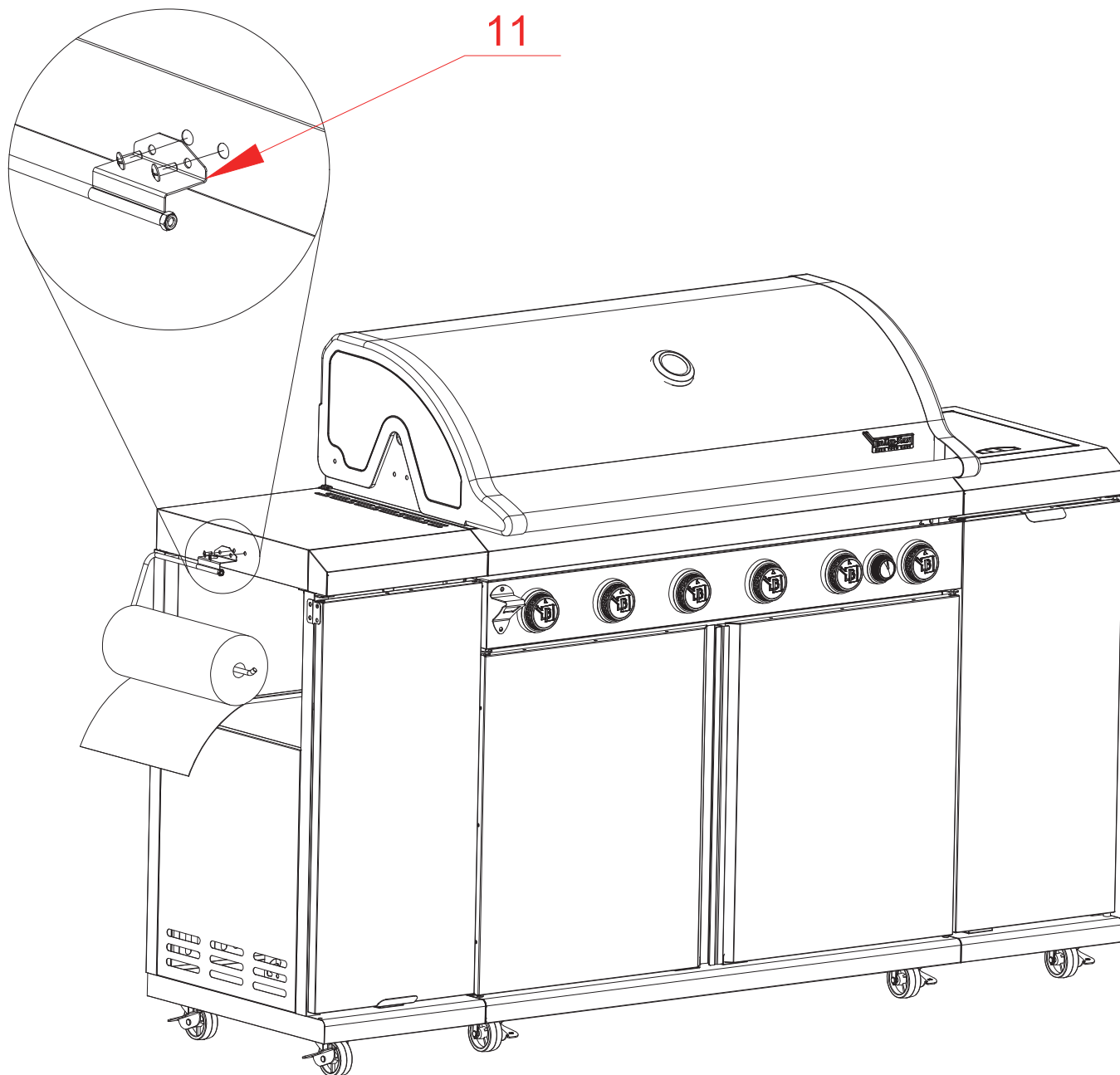


A  M6X12 ...1 PC

ASSEMBLY INSTRUCTIONS (CONTINUE)

Step 26

- a) Attach the paper towel holder assembly (11) with two screws (A) to the left side cabinet as shown in diagram.

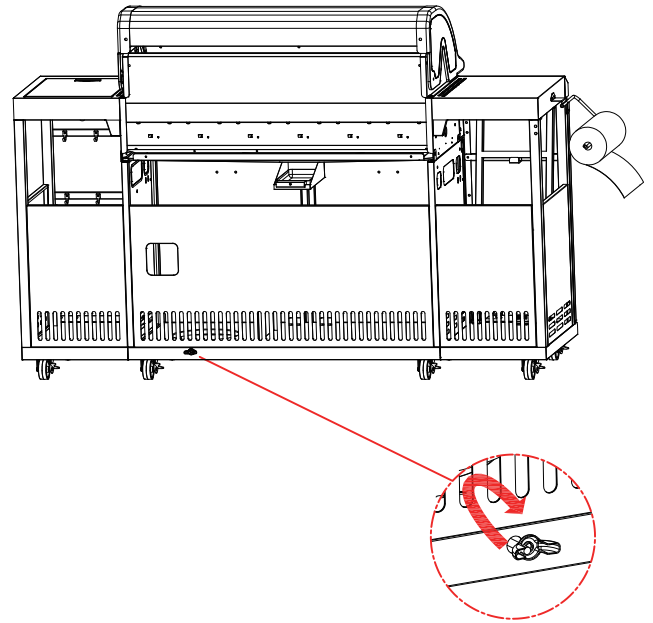
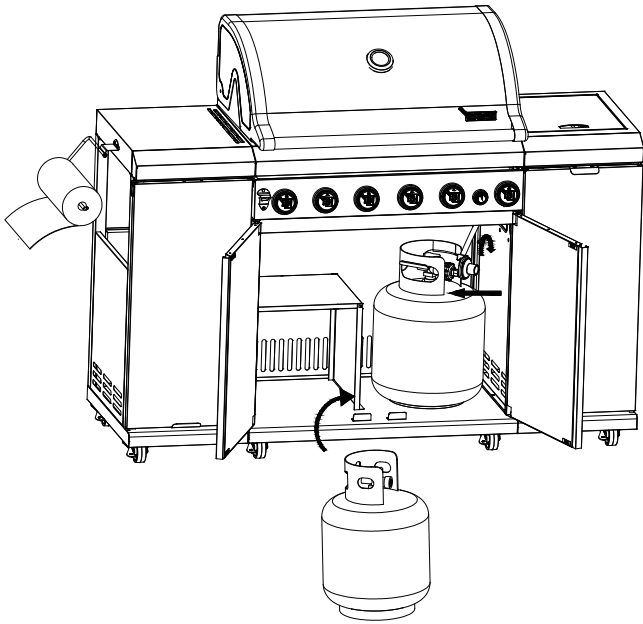


A.  M6X12 ...2 PCS

ASSEMBLY INSTRUCTIONS (CONTINUE)

Step 27

- a) Open the frame assembly doors and place the gas cylinder into the gas cylinder support hole, and fix the cylinder with Gas Cylinder Fixture (16) as shown in diagram.
- b) Connect the regulator to the gas cylinder by tightening in a clockwise direction as shown in diagram.



ASSEMBLY INSTRUCTIONS (CONTINUE)

Step 28

Seasoning Barbecue

Important: season your Barbecue cooking surface every time you use it.

Chefs at Japanese steakhouses and short-order restaurants do it all the time, and it is critical for you to do it too. Seasoning helps prolong the life of your Barbecue cooking surface, makes the cooking surface non-stick and helps prevent rust.

Tools needed for seasoning:

- Metal scraper or metal spatula
- Cooking oil, such as vegetable oil or extra virgin olive oil
- Paper towels
- BBQ stone or steel wool
- Finishing oil such as flaxseed oil

CAUTION: Do NOT use corn oil as it contains a high level of sugar, which can caramelize and burn onto the surface.

- 1) While the Barbecue is off and cold, scrap off all excess food or rust using a metal scraper or metal spatula if any. If there are excessive of rust, use a BBQ stone and some cooking oil to scrap the rust out.
- 2) Clean up the Barbecue with paper towels.
- 3) Seasoning the Barbecue by applying a small amount of oil onto the top of Barbecue and spread it around evenly using paper towel. We recommend using flax oil if available.
- 4) Turning the burner to middle high heat and after awhile, the oil will start to smoke and the top of the Barbecue will start to discolor. Let it continue to burn until the surface become dark brown, matt gray or bronze, which take about 30mins and is ready to cook.
- 5) Once finish cooking, let the Barbecue cool down.
- 6) Once the Barbecue has cooled, apply a layer of cooking oil evenly again. This will help prevent rusting.

USING, CONNECTING & DISCONNECTING LP GAS TANK

The installation must conform with local codes or, in the absence of local codes, with either the National Fuel Gas Code, ANSI Z223.1/NFPA 54, or the Natural Gas and Propane Installation Code CSA B149.1, or Propane Storage and Handling Code, CSA B149.2, or the Standard for Recreational Vehicles, ANSI A119.2/NFPA 1192, and CSA 2240 RV Series, Recreational Vehicle Code as applicable.

- ⚠ Use standard flexible tube with length less than 1.5 m. the tube shall be readily visible across its entire length for inspection after installation.

To operate, you will need on precision-filled standard barbecue grill LP gas tank with external valve threads.

- ⚠ CAUTION: LP gas tank must be properly disconnected and removed prior to moving this appliance

Installing LP Gas Tank

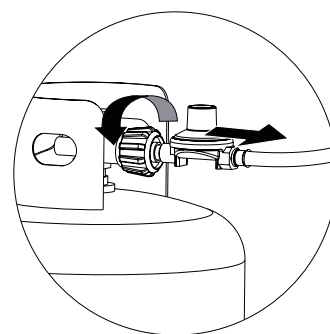
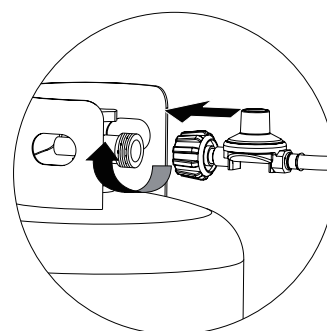
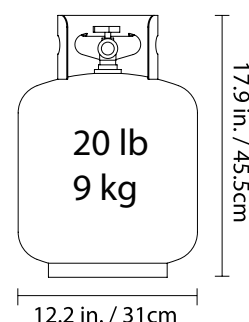
1. Before connecting, be sure there is no debris caught in the head of the LP gas tank, head of the regulator valve or in the head of the burner or burner ports.
2. Connect regulator/hose assembly to tank by turning knob clockwise until it stops. The cylinder supply system must be arranged for vapor withdrawal.

Disconnecting LP Gas Tank

1. Before disconnecting, make sure the LP gas tank valve is "CLOSED."
2. Disconnect regulator/hose assembly from LP gas tank by turning knob counterclockwise until it is loose.

- ⚠ CAUTION: LP gas tank must be properly disconnected and removed prior to moving this appliance.

3. Place the protective cap cover on the LP tank and store the tank outdoors in a well ventilated area out of direct sunlight.



OPERATING INSTRUCTIONS

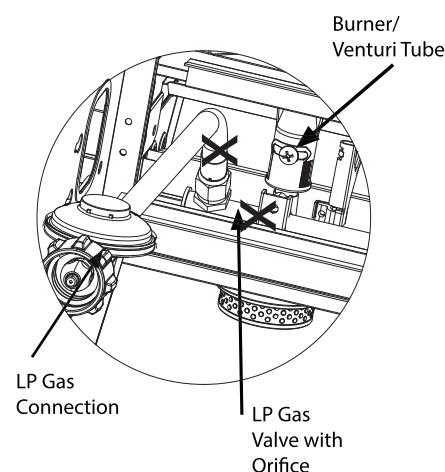
Burner Connections

1. Make sure the regulator hose and valve connections are securely fastened to the burner and the tank.
2. Visually check the connection between the burner/venturi tube and orifice.
3. Make sure the burner/venturi tube fits over the orifice.

- ⚠ WARNING: Failure to inspect this connection or follow these instructions could cause a fire or an explosion which can cause death, serious bodily injury or damage to property.

4. Please refer to diagram for proper installation (Figure 1).
5. If the burner/venturi tube does not rest flush to the orifice, as shown, please contact Captivate Brands USA Inc for assistance.

Figure 1



OPERATING INSTRUCTIONS (CONTINUE)

Checking For Leaks

1. Make 2-3 oz. of leak detection solution by mixing one part liquid dish washing soap with three parts water.
2. Make sure control knobs are in the "OFF" position (Figure 2).
3. Connect LP gas tank per "Installing LP Gas Tank" section.
4. Turn LP gas tank valve to "OPEN."
5. Spoon several drops of solution, or use a squirt bottle, at all "X" locations (Figures 1 and 3).
 - a. If any bubbles appear, turn LP gas tank valve to "CLOSED," reconnect and re-test.
 - b. If you continue to see bubbles after several attempts, turn LP gas tank valve to "CLOSED" and disconnect LP gas tank, per "Disconnecting LP Gas Tank" section. Contact Captivate Brands USA Inc for assistance.
 - c. If no bubbles appear after one minute, turn LP gas tank valve to "CLOSED," wipe away solution and proceed.

Operating Main Burners

First Use

1. Make sure all labels, packaging and protective films have been removed from the Barbecue.
2. Light Barbecue per "Lighting" section.
3. Remove manufacturing oils before cooking on this Barbecue for the first time.
4. Season your Barbecue cooking surface per "Seasoning Barbecue" section.

Lighting

- ⚠ **CAUTION:** Keep outdoor gas cooking appliance area clear and free from combustible materials, gasoline and other flammable vapors and liquids.
- ⚠ **CAUTION:** Do NOT obstruct the flow of combustion and ventilation air.
- ⚠ **CAUTION:** Check and clean burner/venturi tubes for insects and insect nests. A clogged tube can lead to a fire.
- ⚠ **CAUTION:** Do NOT use non-stick cooking sprays because they contain a lot of water and can burn onto the Barbecue, damaging the surface.
- ⚠ **CAUTION:** Do NOT use corn oil as it contains a high level of sugar, which can caramelize and burn onto the surface.

1. Check for obstructions of airflow to the burners. Spiders, insects and webs can clog the burner/venturi tube. A clogged burner tube can lead to a fire.
2. All control knobs must be in the "OFF" position (Figure 2).
3. Connect LP gas tank per "Installing LP Gas Tank" section.

Figure 2

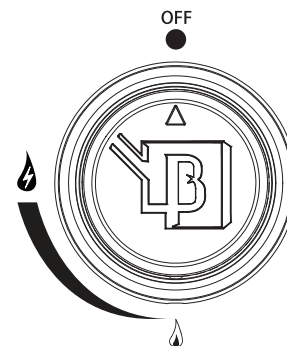


Figure 3

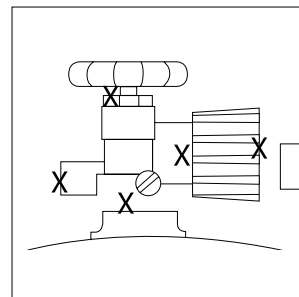
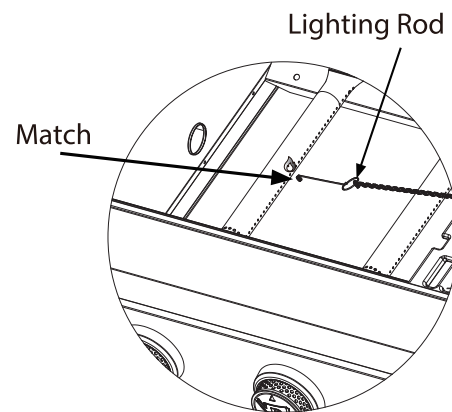


Figure 4



OPERATING INSTRUCTIONS (CONTINUE)

4. Turn LP gas tank valve to "OPEN."
5. Push and turn any control knob to 🔥 (HIGH). The burner should light. If it does not, repeat up to three times.
6. If ignition does not occur in 5 seconds, turn burner control knob "OFF," wait 5 minutes, and repeat lighting procedure.
7. If igniter does not light burner, use a lit match secured with the Lighting Hook (included with the Barbecue) to light burners. Position lit match near side of burner (Figures 4).

Important: Always use the Lighting Hook (included) when lighting burners with a match.

8. After lighting, observe the burner flame. Make sure all burner ports are lit and flame height matches illustration (Figure 5).

Note: Each burner lights independently - repeat steps 5-9 for the other burners.

⚠ CAUTION: If burner flame goes out during operation, immediately turn the control knobs to the "OFF" position, turn the LP gas tank valve to "CLOSED" and open lid to let the gas clear for 5 minutes before relighting.

Turning Off

1. Turn LP gas tank valve to "CLOSED".
2. Turn all control knobs clockwise to OFF position.

Note: A "poof" sound is normal as the last of the LP gas is burned.

3. Disconnect LP gas tank per "Disconnecting LP Gas Tank" section.

Controlling Flare-ups

CAUTION:

1. **If a grease fire develops, turn control knobs to the "OFF" position and LP gas tank valve to "CLOSED." Do NOT use water on a grease fire. This can cause the grease to splatter and could result in serious burns, bodily harm or other damage.**
2. **Do NOT leave Barbecue unattended while preheating or burning off food residue on 🔥 (HIGH). If Barbecue has not been cleaned, a grease fire can occur.**

WARNING: When cooking, fire extinguishing materials should be readily accessible. In the event of an oil/grease fire, use type BC dry chemical fire extinguisher or smother with dirt, sand or baking soda.

Do NOT attempt to extinguish with water.

Flare-ups are a part of cooking meats on a Barbecue and add to the unique flavor of grilling.

Excessive flare-ups can over-cook your food and be dangerous.

Important: Excessive flare-ups result from the build-up of grease in the grease cup.

If a grease fire occurs, turn the control knob(s) to "OFF" until the grease burns out.

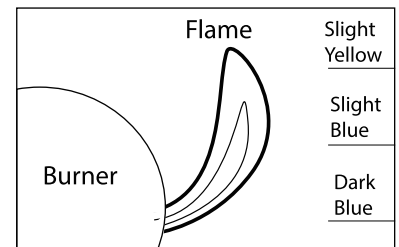
If excessive flare-ups occur, DO NOT pour water onto the flames.

Minimize Flare-ups:

1. Trim excess fat from meats prior to cooking.
2. Cook high fat content meats on 🔥 (LOW) setting or indirectly.
3. Ensure that your Barbecue is on a hard, level, non-combustible surface and the grease is allowed to drain into grease receptacle.

NOTE: Using pan larger than 240mm diameter in capacity could exceed weight limit of the side burner shelf

Figure 5



CLEANING AND CARE

⚠ CAUTION:

1. All cleaning and maintenance should be done when Barbecue is cool and with the fuel supply disconnected.
2. Do NOT clean any Barbecue part in self-cleaning oven. The extreme heat will damage the finish.
3. Do Not enlarge valve orifices or burner ports when cleaning the valves or burners.

Notices

1. This Barbecue should be thoroughly cleaned and inspected on a regular basis.
2. Abrasive cleaners will damage this product.
3. Never use oven cleaner to clean any part of Barbecue.

Before Each Use:

1. Keep the Barbecue area clean and free from any combustible materials, gasoline, and other flammable vapors and liquids.
2. Do NOT obstruct the flow of the combustion of LP gas and the ventilation of air.
3. Keep the ventilation opening(s) of the LP gas tank area free and clear from debris.
4. Visually check the burner flames to make sure your Barbecue is working properly (Figure 6).
5. See sections below for proper cleaning and seasoning instructions.
6. Check for obstructions of airflow to the burners. Spiders, insects and webs can clog the burner/venturi tube. A clogged burner tube can lead to a fire.

Cleaning Cart Surfaces

1. Wipe surfaces clean with mild dish washing detergent or baking soda mixed with water.
2. For stubborn surfaces, use a citrus-based degreaser and a nylon scrubbing brush.
3. Rinse clean with water.
4. Allow to air dry.

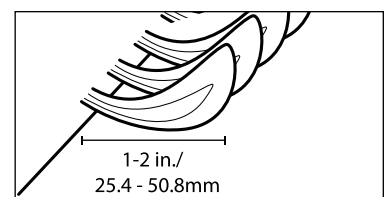
Cleaning Main Burners

1. Turn LP gas tank valve to "CLOSED."
 2. Turn all control knobs clockwise to the "OFF" position.
- Note: A "poof" sound is normal as the last of the gas is burned.
3. Disconnect LP gas tank per "Disconnecting LP Gas Tank" section
 4. Remove Barbecue by lifting it off the cart.

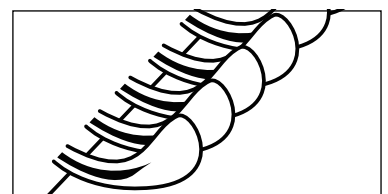
5. Remove burners by removing the fasteners, which secure the burners to the frame bottom.
6. Lift burners up and away from gas valve orifice.
7. Disconnect wire from spark electrode.

Figure 6

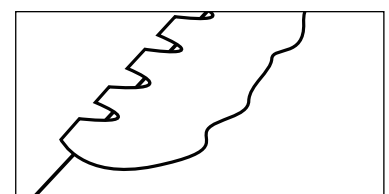
Burner Flame Conditions
Use this chart to see if your burners need to be cleaned



Normal: Soft blue flames with yellow tips between 1 in- 2 in. height



Needs cleaning: Noisy with hard blue flames



Has to be replaced: Wavy with yellow flames

CLEANING AND CARE

- Clean venturi of each burner with small bottle brush or compressed air.
- Remove all residue and dirt from burner surface.
- Clean any clogged ports with a stiff wire (such as an opened paper clip).
- Inspect burners for any damage (cracks or holes). If damage is found, replace with new burner(s) from manufacturer.
- Re-install burner(s). Checking to insure that gas valve orifice is correctly positioned inside each burner/venturi tube. Also, check position of spark electrode.
- Connect wire to spark electrode.
- Replace Barbecue.
- Connect LP gas tank per "Installing LP Gas Tank" section.
- Perform leak test per "Checking for Leaks" section.

Before Storing

- Turn LP gas tank valve to "CLOSED."
- Turn all control knobs clockwise to the "OFF" position.
Note: A "poof" sound is normal as the last of the gas is burned.
- Disconnect LP gas tank per "Disconnecting LP Gas Tank" section.
- Clean all surfaces.
- Lightly coat the burner(s) with cooking oil to prevent excess rusting.
- Season your Barbecue cooking surface per "Seasoning Barbecue" section.
- If storing the Barbecue indoors, disconnect the LP tank per "Disconnecting LP Gas Tank" section.
- Place the protective cap cover on the LP tank and store the tank outdoors in a wellventilated area out of direct sunlight.
- If storing the Barbecue indoors, cover the Barbecue and store in a cool dry place.
- If storing the Barbecue outdoors, cover the Barbecue with a Barbecue cover for protection from the weather.

Seasoning Barbecue

Important: season your Barbecue cooking surface every time you use it.

Chefs at Japanese steakhouses and short-order restaurants do it all the time, and it is critical for you to do it too. Seasoning helps prolong the life of your Barbecue, makes the cooking surface non-stick and helps prevent rust.

Tools needed for seasoning:

- Metal scraper or metal spatula
- Cooking oil, such as vegetable oil or extra virgin olive oil
- Paper towels
- BBQ stone or steel wool
- Finishing oil such as flaxseed oil

⚠ CAUTION: Do NOT use corn oil as it contains a high level of sugar, which can caramelize and burn onto the surface.

CLEANING AND CARE

First Use

1. Light Barbecue per "Lighting" section.
2. Keep burners on 🔥 (HIGH) for 15 minutes.
3. Turn Barbecue off per "Turning Off" section.
4. Allow Barbecue to cool, but still be slightly warm.
5. Wipe off Barbecue surface, inner and outer walls with paper towels until clean.

Note: While drying you may notice the towel may have some discoloration. This is normal.

6. Apply finishing oil onto Barbecue surface, inner and outer walls and evenly coat with rolled up paper towels.
7. Repeat this process at least twice.

After Each Use

1. Turn Barbecue off per "Turning Off" section.
2. While the Barbecue is still warm, gently scrape off all food residue with a scraper.
3. Wipe down Barbecue surface, inner and outer walls with a towel or paper towels.
4. For stubborn food residue:
 - a. Light Barbecue per "Lighting" section.
 - b. Apply cooking oil onto Barbecue surface.
 - c. Allow oil to "boil" food residue off.
 - d. Repeat steps 1 through 3.
 - e. If necessary, use a BBQ stone and scrub the food residue off.
 - f. Continue with "Seasoning Barbecue" instructions.
5. Wipe off Barbecue surface, inner and outer walls with paper towels until clean.
Note: While drying you may notice the towel has some discoloration. This is normal.
6. Apply finishing oil onto Barbecue surface, inner and outer walls and evenly coat with rolled up paper towels.
7. Light Barbecue per "Lighting" section.
8. Keep burners on and 🔥 (HIGH) for 15 minutes or until finishing oil starts to smoke.
9. Turn Barbecue off per "Turning Off" section.
10. Repeat steps 6-9 a minimum of 2 additional times.
11. Following "Before Storing" section.

Refurbish the Barbecue Surface

1. If Barbecue is off, light per "Lighting" section for 10 minutes. Then turn Barbecue off per "Turning Off" section.
2. If Barbecue is on, turn Barbecue off per "Turning Off" section.
3. While the Barbecue is still warm, use a scraper or metal spatula to remove as much rust and food residue as you can from the Barbecue surface, inner and outer walls.
4. Apply a liberal amount of cooking oil onto the Barbecue surface.
5. Using a BBQ stone, scrub the Barbecue surface. Apply additional cooking oil as need.
6. Wipe off Barbecue surface, inner and outer walls with paper towels.
7. Repeat steps 3-5 until paper towels no longer show any rust.
8. Apply finishing oil onto Barbecue surface, inner and outer walls and evenly coat with rolled up paper towels.
9. Light Barbecue per "Lighting" section.
10. Keep burners on 🔥 (HIGH) for 15 minutes or until finishing oil starts to smoke.
11. Turn Barbecue off per "Turning Off" section.
12. Repeat steps 7-10 until the surface has a nice dark color.
13. Following "Before Storing" section.

REPLACEMENT PARTS

For replacement parts, please contact Captivate Brands USA Inc via 855-200-8445 ext 102

WARRANTY

Captivate Brands USA Inc warrants to the original retail purchaser of this product, and to no other person, that if this product is assembled, maintained, and operated in accordance with the printed instructions accompanying it, then for a period of five (5) year from the date of purchase, the product's components shall be free from defects in material and workmanship, except for the cooking surface which is not covered by the Limited Warranty. Captivate Brands USA Inc may require reasonable proof of your date of purchase. Therefore, you should retain your sales slip or invoice. This Limited Warranty shall be limited to the repair or replacement of parts, which prove defective under normal use and service and which Captivate Brands USA Inc shall determine in its reasonable discretion upon examination to be defective. Before returning any parts, you should contact Captivate Brands USA Inc's Customer Care Department using the contact information listed below. If Captivate Brands USA Inc confirms, after examination, a defect covered by this Limited Warranty in any returned part, and if Captivate Brands USA Inc approves the claim, Captivate Brands USA Inc will replace such defective part without charge. If you return defective parts, transportation charges must be prepaid by you. Captivate Brands USA Inc will return replacement parts to the original retail purchaser, freight or postage prepaid.

This Limited Warranty does not cover any failures or operating difficulties due to accident, abuse, misuse, alteration, misapplication, improper installation or improper maintenance or service by you or any third party, or failure to perform normal and routine maintenance on the product as set out in this owner's manual. In addition, the Limited Warranty does not cover damage to the finish, such as scratches, dents, discoloration, rust or other weather damage, after purchase.

This Limited Warranty is in lieu of all other express warranties. Captivate Brands USA Inc disclaims all warranties for products that are purchased from sellers other than authorized retailers or distributors, including the warranty of merchantability or the warranty of fitness for a particular purpose. CAPTIVATE BRANDS USA INC ALSO DISCLAIMS ANY AND ALL IMPLIED WARRANTIES, INCLUDING WITHOUT LIMITATION THE IMPLIED WARRANTIES OF MERCHANTABILITY AND FITNESS FOR A PARTICULAR PURPOSE. CAPTIVATE BRANDS USA INC SHALL HAVE NO LIABILITY TO PURCHASER OR ANY THIRD PARTY FOR ANY SPECIAL, INDIRECT, PUNITIVE, INCIDENTAL, OR CONSEQUENTIAL DAMAGES.

Captivate Brands USA Inc further disclaims any implied or express warranty of, and assumes no responsibility for, defects in workmanship caused by third parties.

This Limited Warranty gives the purchaser specific legal rights; a purchaser may have other rights depending upon where he or she lives. Some jurisdictions do not allow the exclusion or limitation of special, incidental or consequential damages, or limitations on how long a warranty lasts, so the above exclusion and limitations may not apply to everyone.

Captivate Brands USA Inc does not authorize any person or company to assume for it any other obligation or liability in connection with the sale, installation, use, removal, return, or replacement of its equipment, and no such representations are binding on Captivate Brands USA, Inc.

Captivate Brands USA, Inc.
25541 Arctic Ocean Drive Lake Forest, CA. 92630

If you have any questions or problems, you can contact our customer service at 1-855-200-8445 ext 102 or service@brandmangrill.com from 9:00 AM - 5:00 PM Monday to Friday. (Pacific). All emails and voice-mail calls will be answered within 24 hours.

TROUBLESHOOTING

Problem	Possible Cause	Prevention/Cure
Burner will not light using igniter	LP gas tank valve is closed	Make sure regulator is securely attached to the LP gas tank per "Installing LP Gas Tank," then turn LP gas tank valve to "OPEN"
	LP gas tank low or empty	Exchange, refill or replace LP gas tank
	LP gas	1. Turn LP gas tank valve to "CLOSED" 2. Wait 5 minutes for gas to clear 3. Follow "Checking for Leaks" section
	Wires or electrode covered with cooking residue	Clean wire and/or electrode with rubbing alcohol
	Electrode and burners are wet	Wipe dry with cloth
	Electrode cracked/broken - sparks at crack	Replacement part(s) may be needed - contact Customer Care
	Wire loose or disconnected	Reconnect wire or replacement part(s) may be needed - contact Customer Care
	Wire is shorting (sparking) between igniter and electrode Bad igniter	Replacement part(s) may be needed - contact Customer Care Replacement part(s) may be needed - contact Customer Care
Burner will not light with match	No gas flow	Check if LP gas tank is empty A. If empty, exchange, refill or replace LP gas tank B. If LP gas tank is not empty, refer to "Sudden drop in gas flow or reduced flame height" (see below)
	LP gas tank is low or empty	Exchange, refill or replace LP gas tank
	LP gas	1. Turn LP gas tank valve to "CLOSED" 2. Wait 5 minutes for gas to clear 3. Follow "Checking for Leaks" section
	Coupling nut and regulator not fully connected	Turn the coupling nut about one-half to three-quarters additional turn until solid stop. Tighten by hand only - do NOT use tools
	Obstruction of gas flow	1. Clear burner/venturi tube 2. Check for bent or kinked hose
	Disengagement of burner to valve	Re-engage burner and valve
	Spider webs or insect in venturi Burner ports clogged or blocked	Clean burner/venturi tube Clean burner ports
Sudden drop in gas flow or reduced flame height	Out of gas	Exchange, refill or replace LP gas tank
	Overfilling prevention device may have been activated	1. Turn control knob to "OFF" 2. Wait 30 seconds and light Barbecue 3. If flames are still too low, reset the overfilling prevention device: a. Turn control knob(s) "OFF" b. Turn LP gas tank valve to "CLOSED" c. Disconnect regulator d. Turn control knobs to ⚡ (HIGH) e. Wait 1 minute f. Turn control knobs to "OFF" g. Reconnect regulator and leak check connections, being careful not to fully open valve h. Light Barbecue per "Lighting" section
Sudden drop in gas flow or reduced flame height	Burner ports are clogged or blocked	Clean burner ports
Flame is yellow or orange	New burner may have residual manufacturing oils	Burn Barbecue for 15 minutes on ⚡ (HIGH) with the lid closed
	Spider webs or insect nest in venturi	Clean venturi
	Food residue, grease, etc. on burners	Clean burner
	Poor alignment of valve to burner/venturi tube	Ensure burner/venturi tube is properly engaged with valve
Flame goes out	High or gusting winds	Do not use Barbecue in high wind
	Low on LP Gas	Exchange, refill or replace LP gas tank
	Overfilling prevention device may have been activated	Refer to "Sudden drop in gas flow or reduced flame height" (see above)
Flare-up	Grease buildup	Remove and clean Barbecue parts per "Cleaning and Care" Section
	Excess fat in meat	Trim fat from meat before cooking
	Excessive cooking temperature	Adjust to lower cooking temperature
Persistent grease fire	Excessive cooking temperature	1. Turn control knobs to "OFF" 2. Turn LP gas tank valve to "CLOSED" 3. Leave lid in closed position and let fire burn out 4. After Barbecue cools, remove and clean all parts per "Cleaning and Care" section
Flashback (fire in burner tube(s))	Burner and/or burner/venturi tube are blocked	Adjust to lower cooking temperature
Barbecue Surface	Barbecue has started to rust	With use the Barbecue surface will rust, this is normal. Follow the "Refurbish the Barbecue Surface" instructions in the "Seasoning Barbecue" section to season your Barbecue surface.
	Barbecue surface looks dull	The cooking surface has gotten too hot, and is no longer seasoned. Season grill per "Seasoning Barbecue" section

For assistance, please contact Captivate Brands USA Inc via 855-200-8445 ext 102