

ASSEMBLY INSTRUCTION

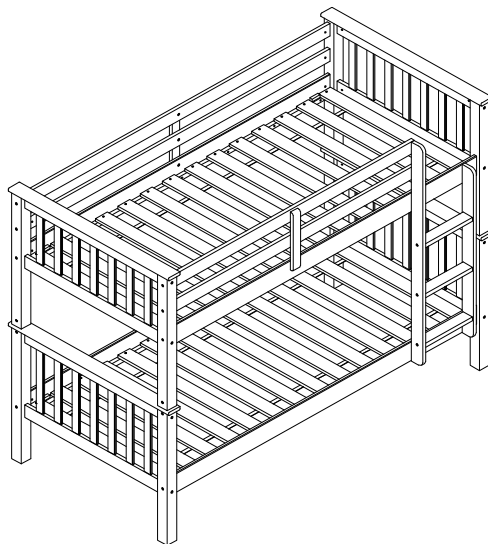
this sheet prior to assembly to familiarise yourself with the various stages of construction. Carefully open the pack supplied and check the contents against the parts and fitting check list. Do not destroy any of the packing until you are certain that you have all the necessary parts for assembly. CAUTION : There are small components used in the construction of this unit. These loose items should be kept away from young children whilst assembling your unit to avoid the danger of choking hazards.

INFORMATION :

- Due to the size of this product we recommend that it is assembled in the room intended for use.
- This product should only be used on firm, level ground.
- DO NOT use power tools to construct this product.
- DO NOT over tighten the screw or bolts.
- DO NOT tighten screws until the product is fully assembled.
- DO NOT use solvent based cleaners or detergents as this can bleach and caused damages.
- Never use scourer, abrasives or chemical cleaners, only clean with sponge wipe and warm soapy water.

WARNING :

- High beds and the upper bed of the bunk beds are not suitable for children under six years due to the risk of injury from falls;
- Bunk beds and high beds can be present a serious risk of injury from strangulation if not used correctly. Never attach or hang items to any part of the bunk bed that are not designed to be used with the bed, for example, but not limited to ropes, strings, cords, hooks, belts and bags;
- Children can be trapped between the bed and wall, a roof pitch, the ceiling, adjoining pieces of furniture (e.g. cupboards) and the like. To avoid risk of serious injury the distance between the top safety barrier and the adjoining structure shall not exceed 75mm or shall be more than 230mm;
- Do not use the bunk bed/high bed if any structural part are missing, damaged or worn;
- Always follow the manufacturer's instruction
- Ensure thickness of mattress below the mark that had been made at the entrance of the upper bunk.
- Ensure the ventilation of the room is necessary in order to keep the humidity low and to prevent, mould in and around the bed.
- Ensure the support legs remain in contact with the ground at all times, and always use the ladder for entering and leaving the high bed and upper bunk.
- Ensure all screws or bolts are tightened and inspect regularly.



Item Description Qty

Item Description Qty

Item Description Qty

Item Description Qty



A Lower Post 2pcs



B Lower Post 2pcs



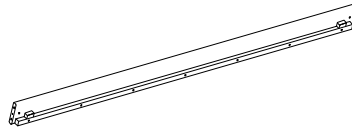
C Upper Post 1pc



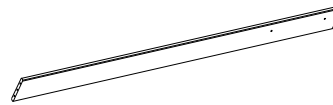
D Upper Post 2pcs



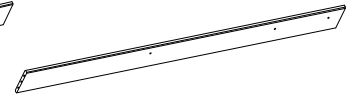
E Upper Post 1pc



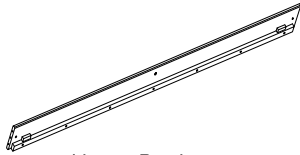
F Lower Bunk Siderail (Inner) 1pc



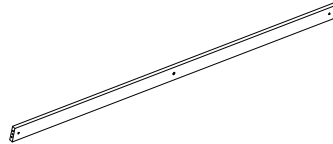
G Lower Bunk Siderail (Outer) 1pc



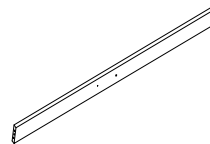
H Upper Bunk Siderail (Outer) 1pc



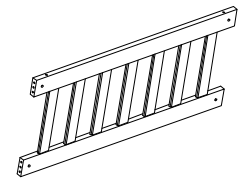
I Upper Bunk Siderail (Inner) 1pc



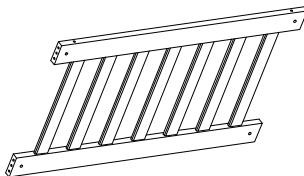
J Long Barrier 2pcs



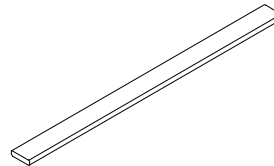
K Short Barrier 2pcs



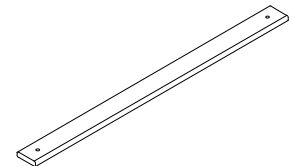
L Upper Bunk Head Board 2pcs



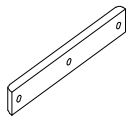
M Lower Bunk Head Board 2pcs



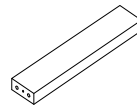
N Upper Top Rail 2pcs



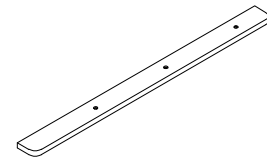
O Lower Top Rail 2pcs



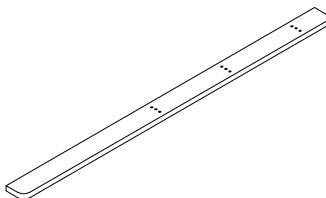
P Barrier Support 2pcs



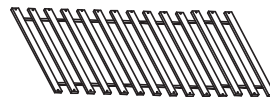
Q Ladder Step 3pcs



R Short Ladder Post 1pc






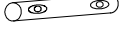

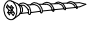
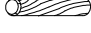

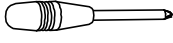


S Long Ladder Post 1pcs



T Bunk Slats Roll 2 set

FITTINGS CHECKLISTS


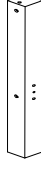
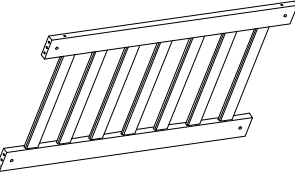
<u>Code</u>	<u>Description</u>	<u>Qty</u>	<u>Code</u>	<u>Description</u>	<u>Qty</u>	<u>Code</u>	<u>Description</u>	<u>Qty</u>	<u>Code</u>	<u>Description</u>	<u>Qty</u>
											
1	Bolt M6x100	30pcs	2	Bolt M6x75	8pcs	3	M6x13	30pcs	4	Bolt M6x30	14pcs
											
5	Bolt M6x25	6pcs	6	Ø10*80*M6	4pcs	7	Screw M4x50	6pcs	8	Screw 4x30	56pcs
											
9	Wood Dowel Ø8x30	80pcs	10	Allen Key	1pc	(Screw driver not provided)					

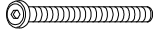



TOOLS REQUIRED

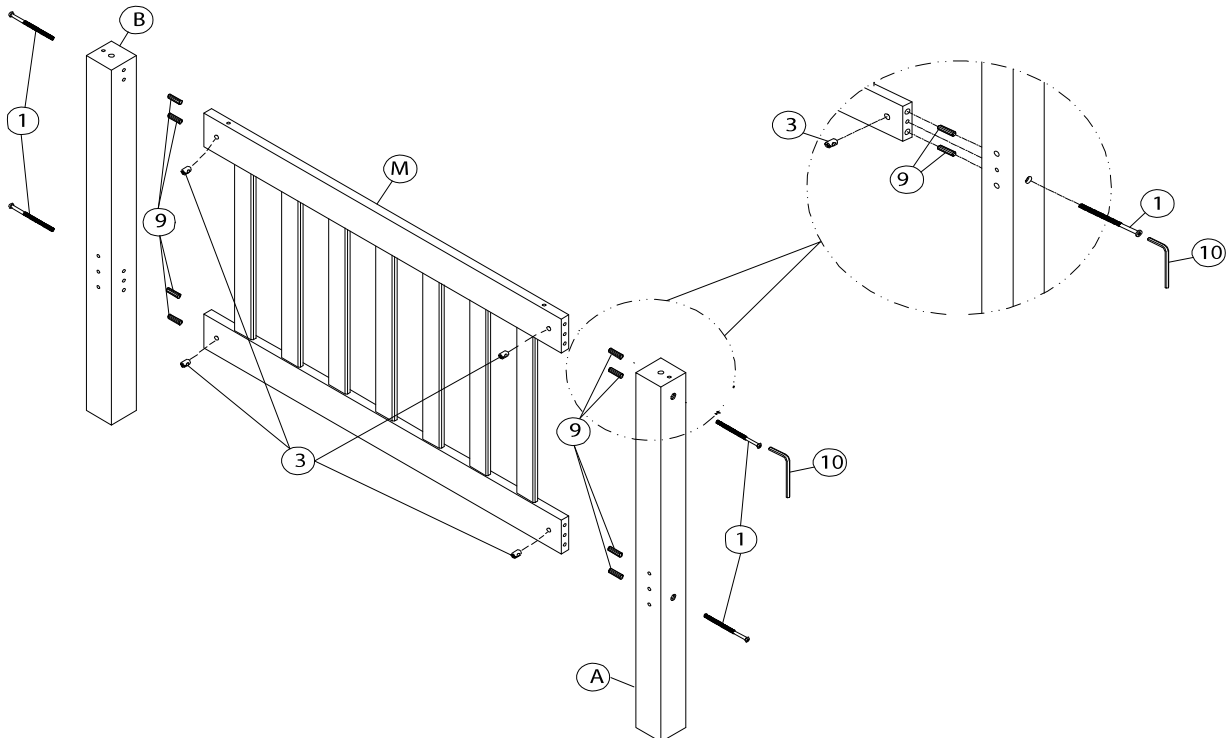
Step 1.

Part

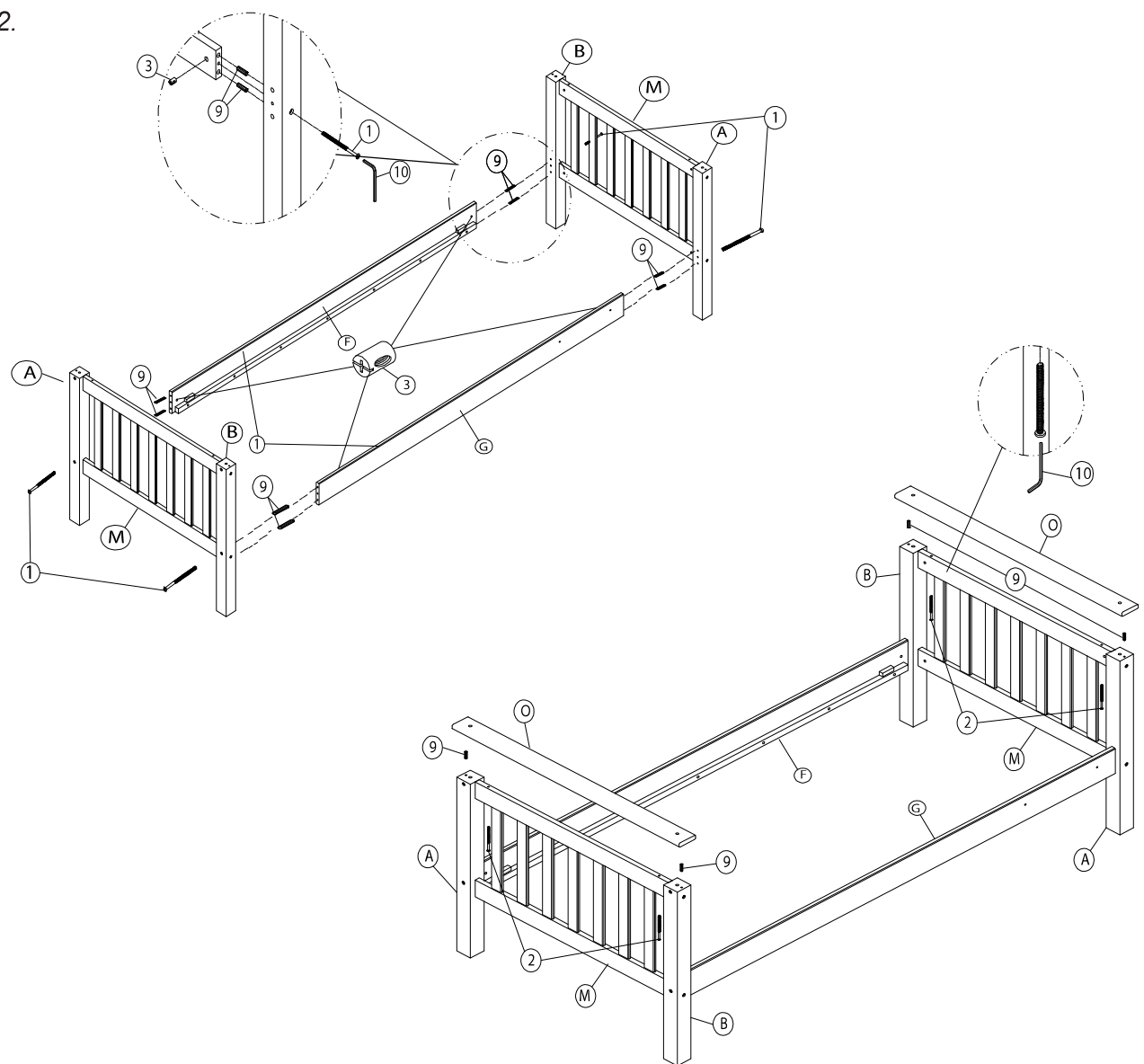
Hardware

<u>Item</u>	<u>Description</u>	<u>Qty</u>	<u>Item</u>	<u>Description</u>	<u>Qty</u>
					
A	Lower Post	1pc	B	Lower Post	1pc
					
M	Lower Bunk Head Board	2pcs			

<u>Code</u>	<u>Description</u>	<u>Qty</u>
		
1	Bolt M6x100	8pcs
		
3	M6x13	8pcs
		
9	Wood Dowel Ø8x30	16 pcs
		
10	Allen Key	1pc



Step 2.



Part

<u>Item</u>	<u>Description</u>	<u>Qty</u>
F	Lower Bunk Siderail (Inner)	1pc

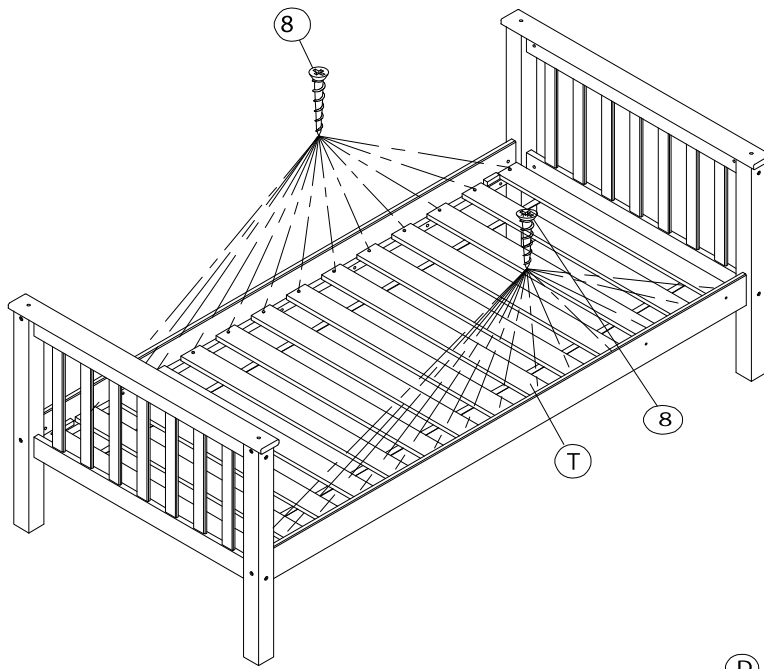
<u>Item</u>	<u>Description</u>	<u>Qty</u>
O	Lower Top Rail	2 pcs

G	Lower Bunk Siderail (Outer)	1pc
---	-------------------------------	-----

Hardware

<u>Code</u>	<u>Description</u>	<u>Qty</u>
1	Bolt M6x100	4pcs
2	Bolt M6x75	4pcs
3	M6x13	4pcs
9	Wood Dowel Ø8x30	12 pcs
10	Allen Key	1pc

Step 3.



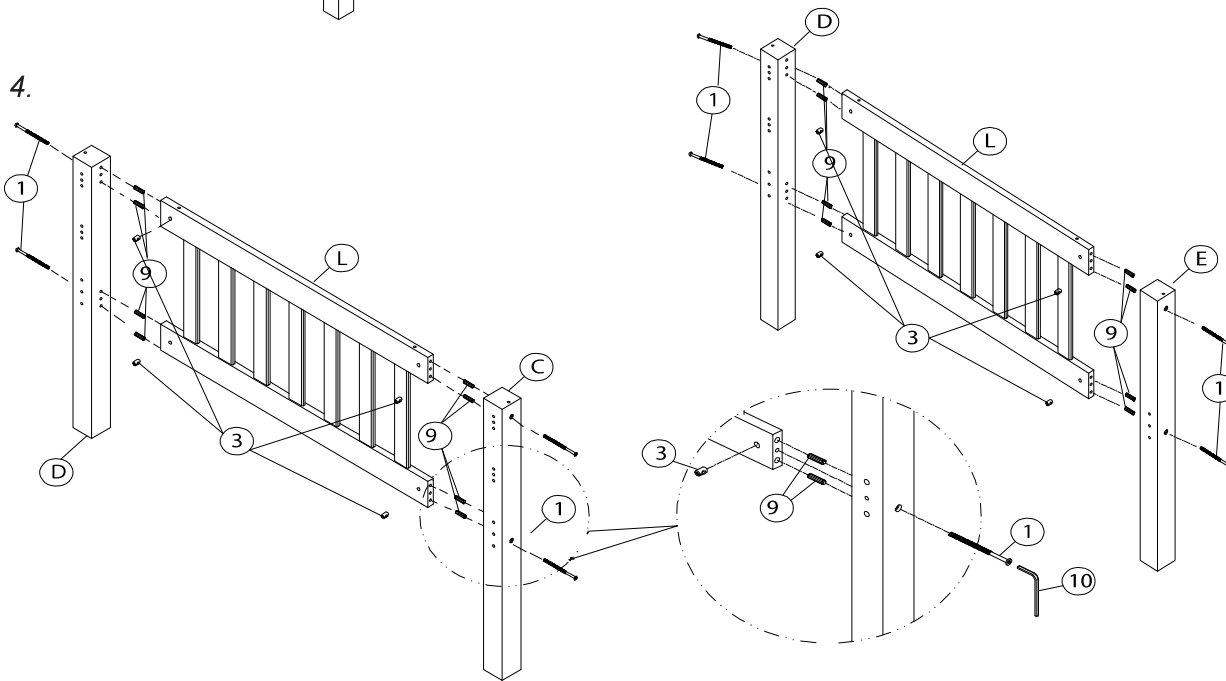
Part

Item	Description	Qty
T	Lower Bunk Slats Roll	1 set

Hardware

Code	Description	Qty
8	Screw 4x30	28 pcs

Step 4.



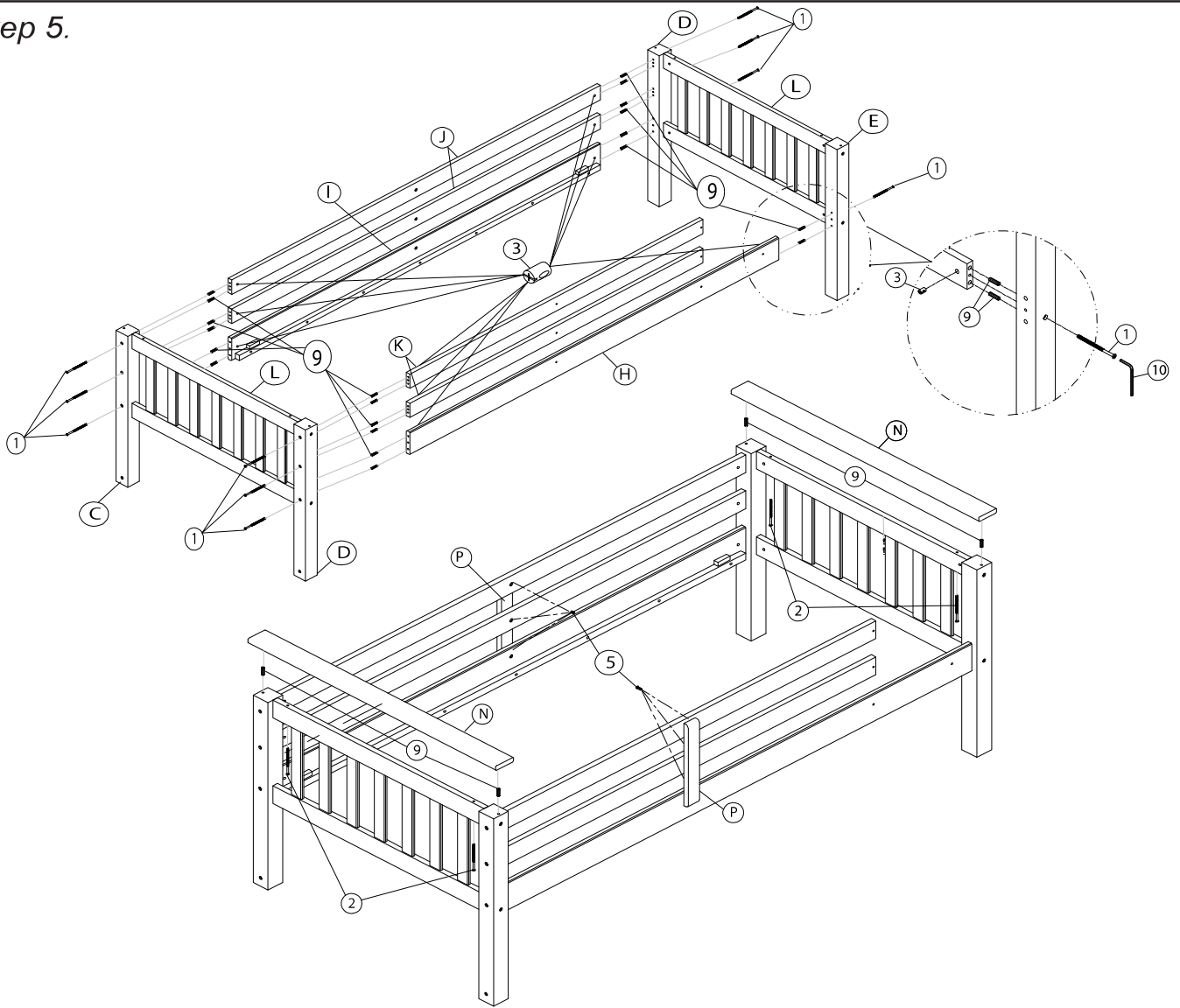
Part

Item	Description	Qty	Item	Description	Qty
C	Upper Post	1pc	D	Upper Post	2pcs
E	Upper Post	1pc	L	Upper Bunk Head Board	2pcs

Hardware

Code	Description	Qty
1	Bolt M6x100	8pcs
3	M6x13	8pcs
9	Wood Dowel Ø8x30	16 pcs
10	Allen Key	1pc

Step 5.



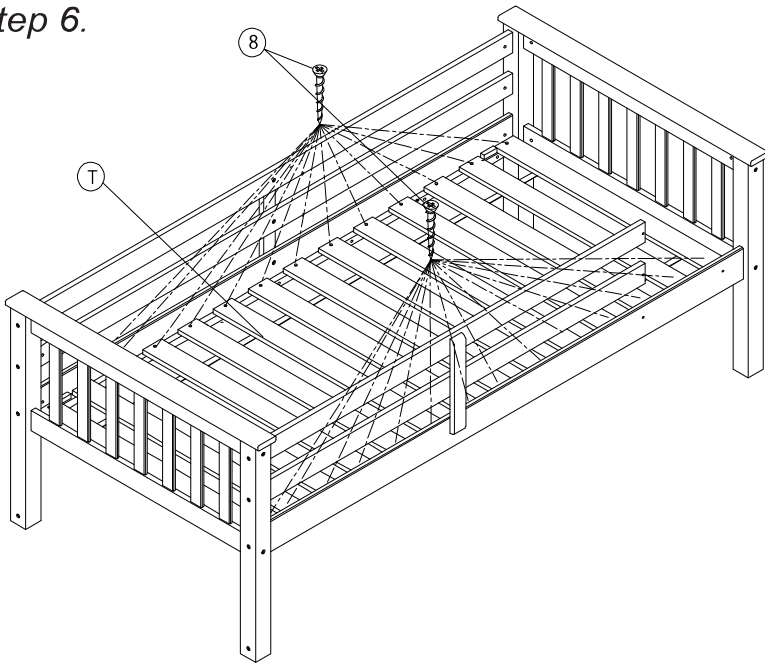
Part

Item	Description	Qty	Item	Description	Qty	Item	Description	Qty	Item	Description	Qty
	Upper Bunk Siderail (Outer)	1pc		Upper Bunk Siderail (Inner)	1pc		Long Barrier	2pcs		Short Barrier	2pcs
	Upper Top Rail	2pcs		Barrier Support	2pcs						

Hardware

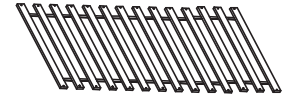
Code	Description	Qty	Code	Description	Qty	Code	Description	Qty
	Bolt M6x100	10pcs		M6x13	10pcs		Wood Dowel Ø8x30	24pcs
	Bolt M6x65	4pcs		Bolt M6x25	6pcs		Allen Key	1pc

Step 6.



Part

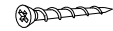
Item	Description	Qty
------	-------------	-----



T	Upper Bunk Slats Roll	1 set
---	-----------------------	-------

Hardware

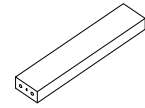
Code	Description	Qty
------	-------------	-----



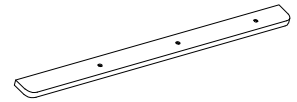
8	Screw 4x30	28 pcs
---	------------	--------

Part

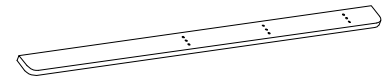
Item	Description	Qty
------	-------------	-----



Q	Ladder Step	3 pcs
---	-------------	-------

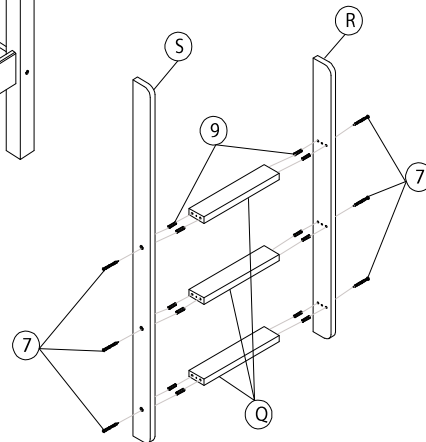
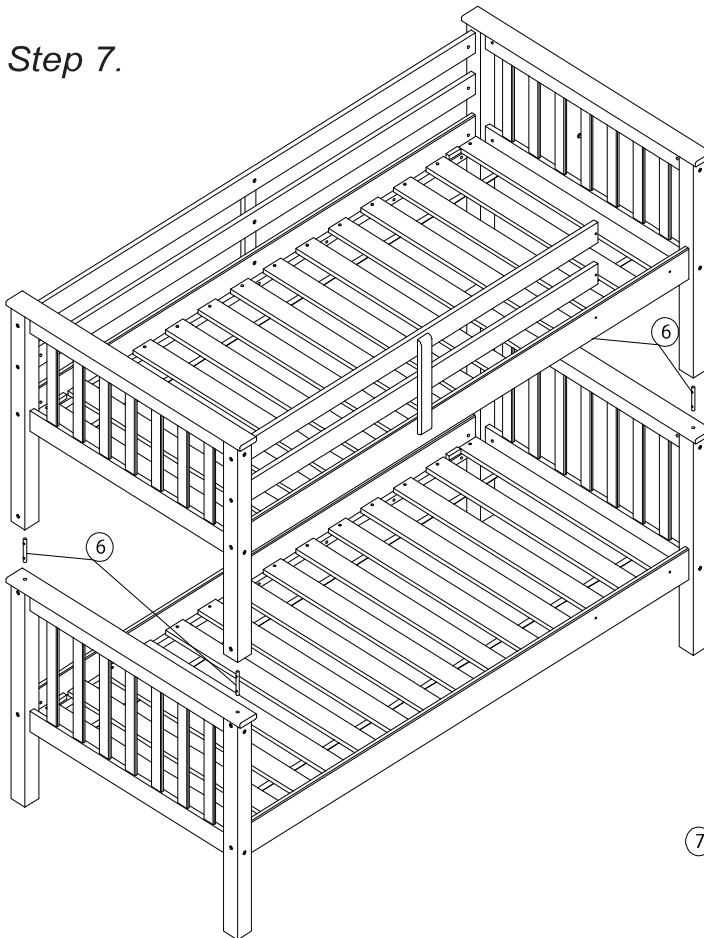


R	Short Ladder Post	1 pc
---	-------------------	------



S	Long Ladder Post	1 pc
---	------------------	------

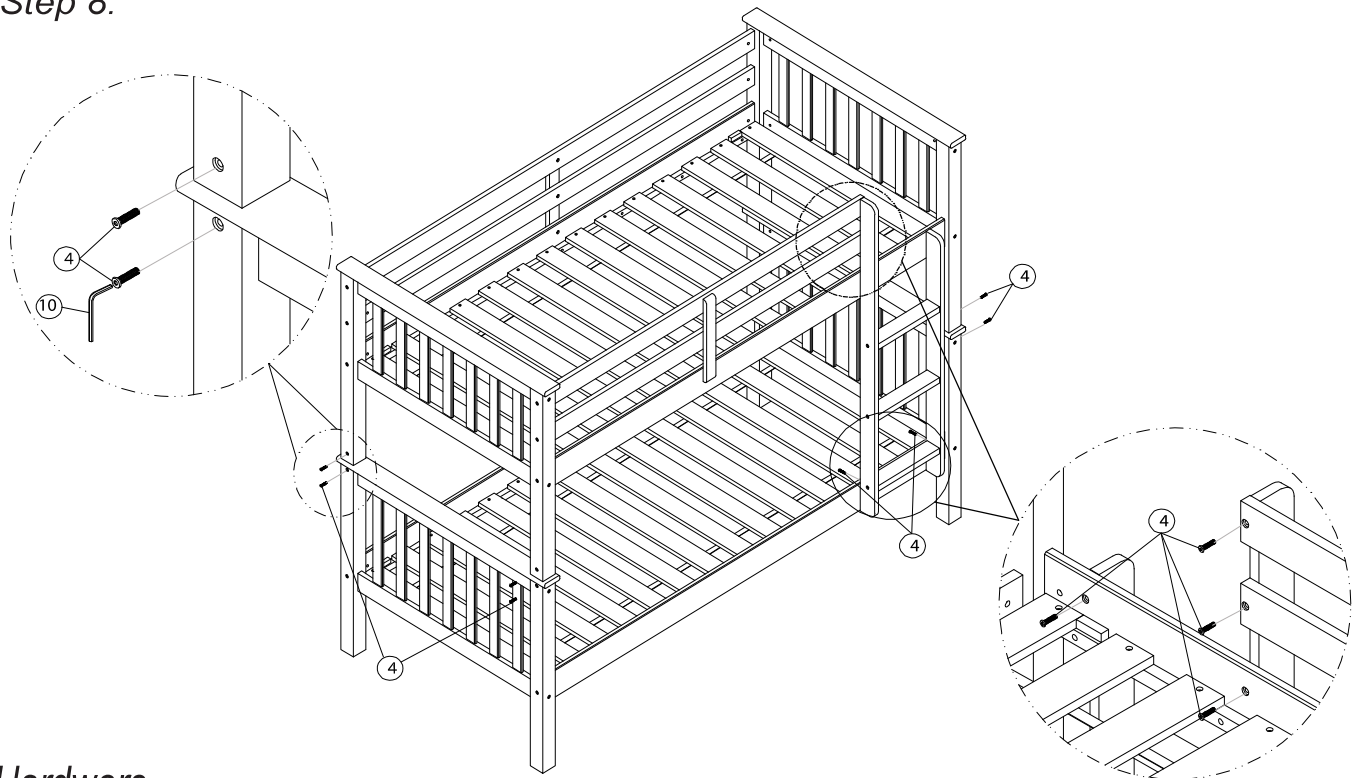
Step 7.





Hardware

Code	Description	Qty	Code	Description	Qty	Code	Description	Qty	Code	Description	Qty
6	Ø10*80*M6	4 pcs	7	Screw M4x50	6 pcs	9	Wood Dowel Ø8x30	12 pcs	10	Allen Key	1 pc

Step 8.



Hardware

<u>Code</u>	<u>Description</u>	<u>Qty</u>	<u>Code</u>	<u>Description</u>	<u>Qty</u>
4	 Bolt M6x30	10pcs	10	 Allen Key	1pc

COMPLETE

