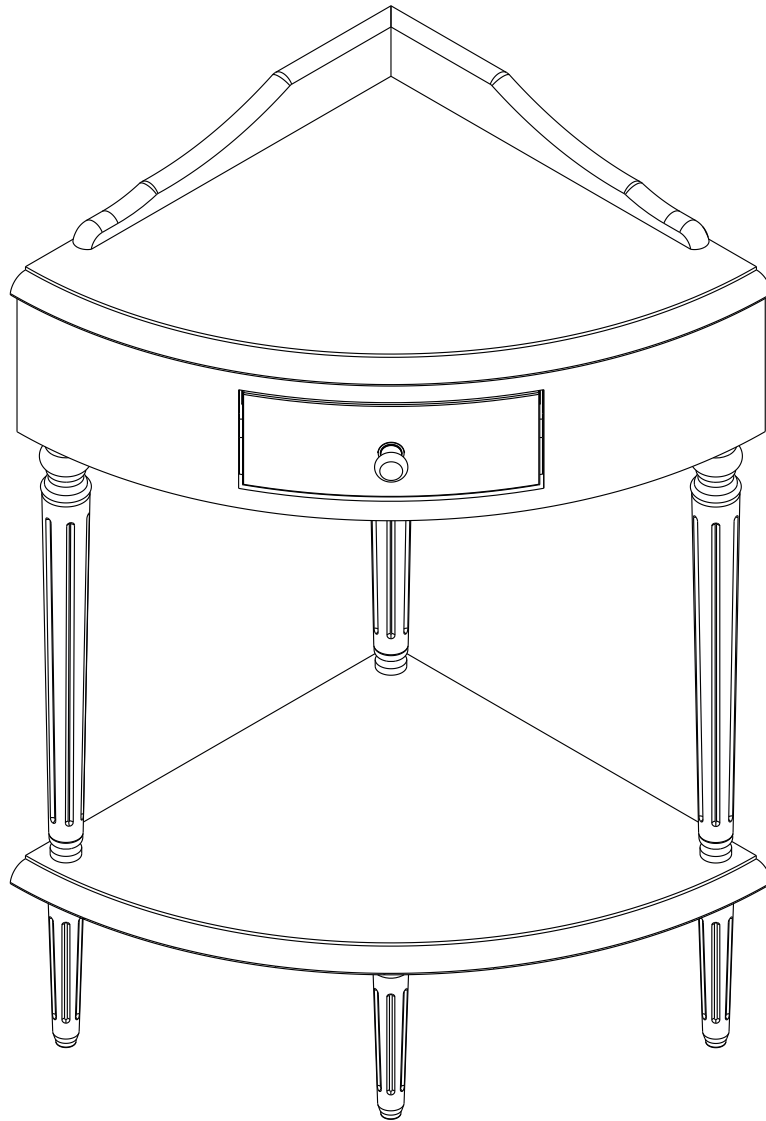


Installation Instructions

Coastal Corner Stand

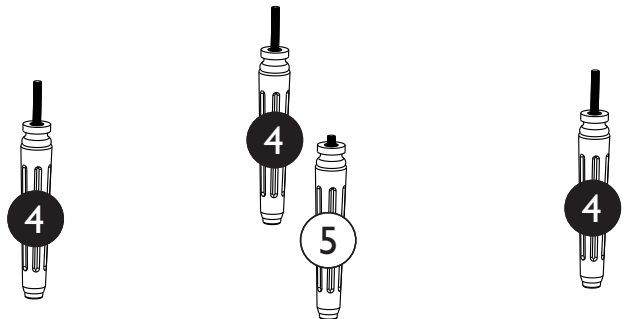
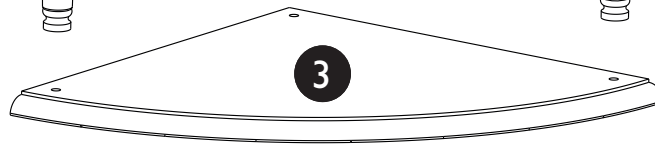
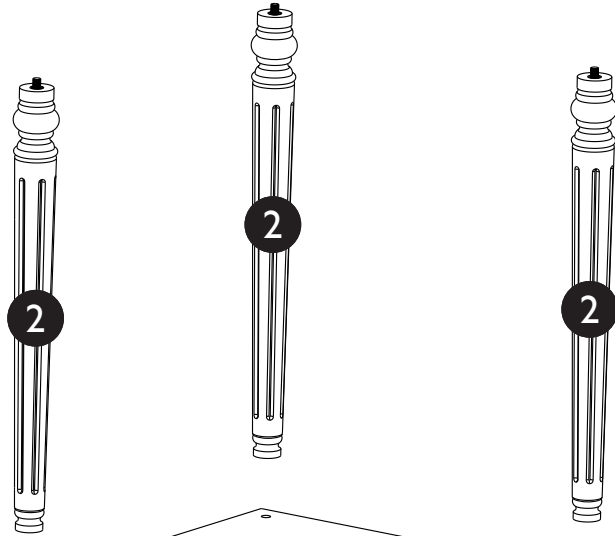
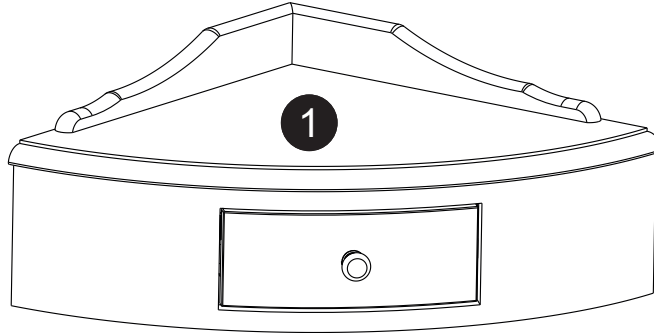


Installation Instructions

Coastal Corner Stand

PARTS INCLUDED

Please confirm all parts are available before starting assembly.



Installation Instructions

Coastal Corner Stand

Figure 1

Place the top assembly upside down on a soft surface, then screw the legs into the top assembly.

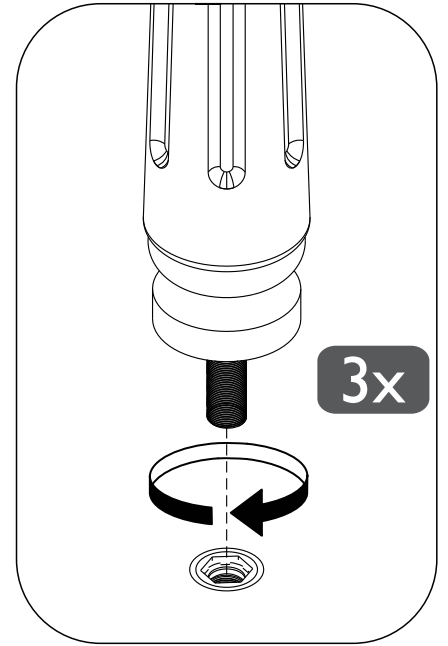
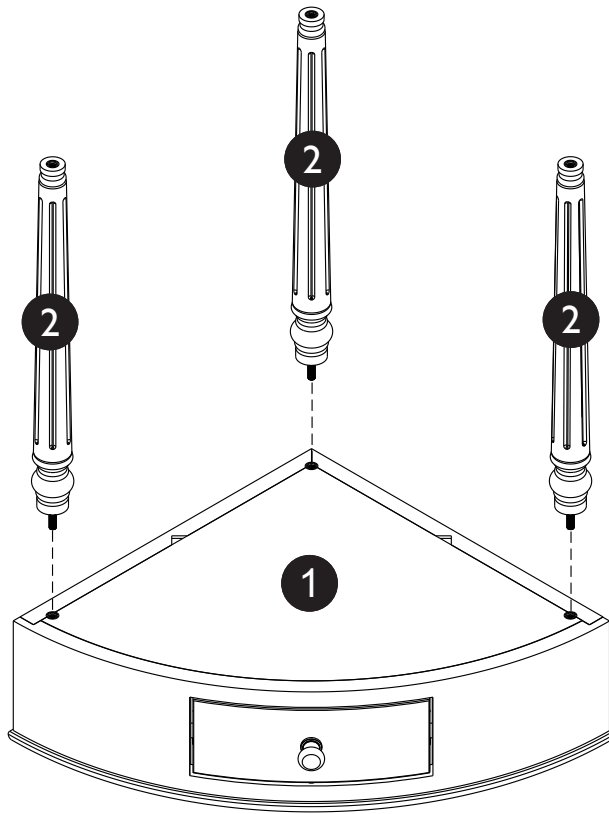
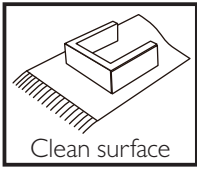
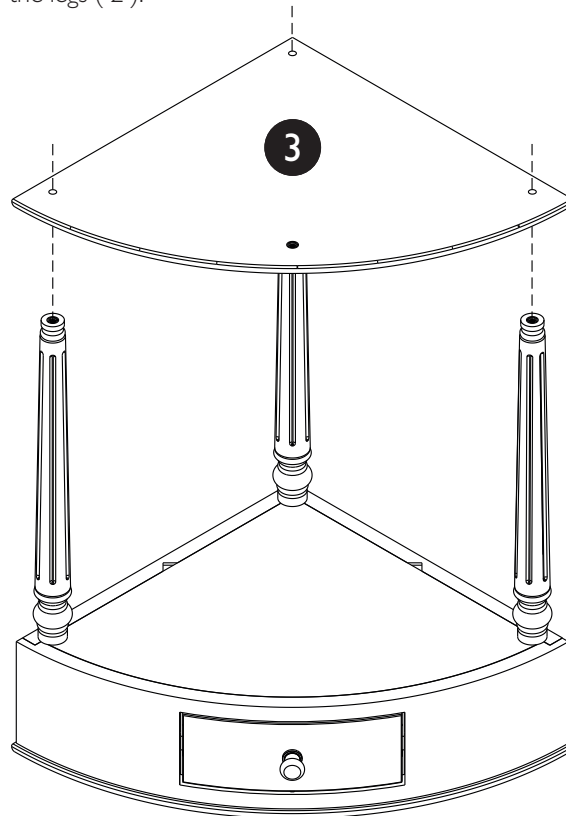
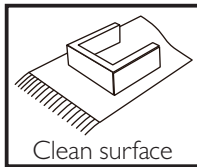


Figure 2

Place the shelf on top of the legs (2).



Installation Instructions

Coastal Corner Stand

Figure 3

With the shelf on top of the legs (2),
screw the feet into the legs.

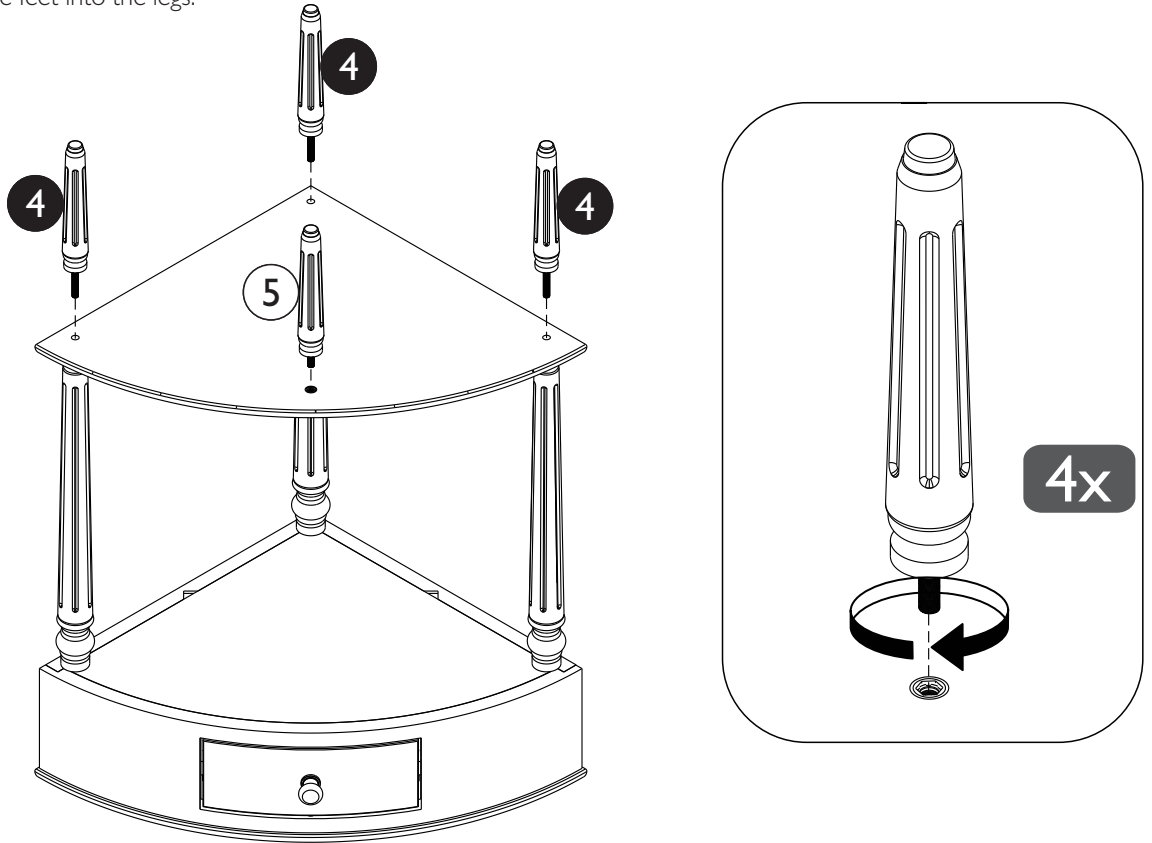
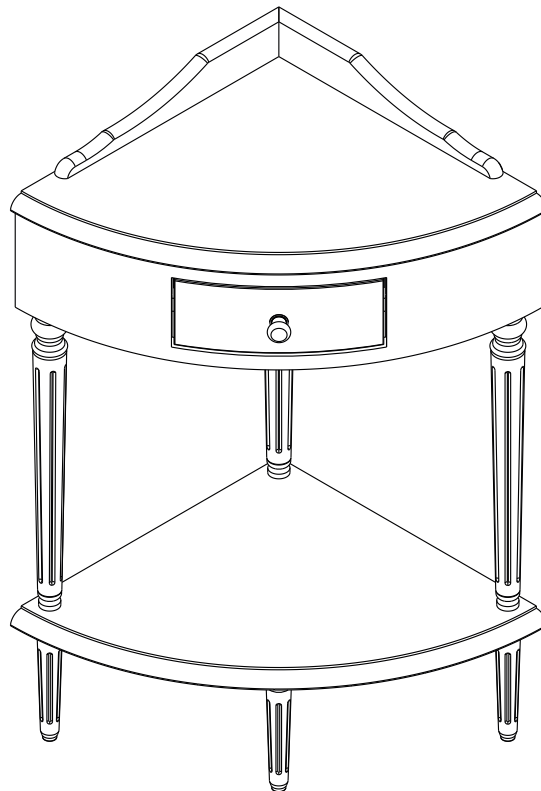
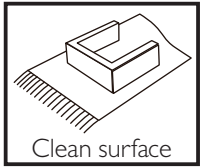


Figure 4



Final Assembly