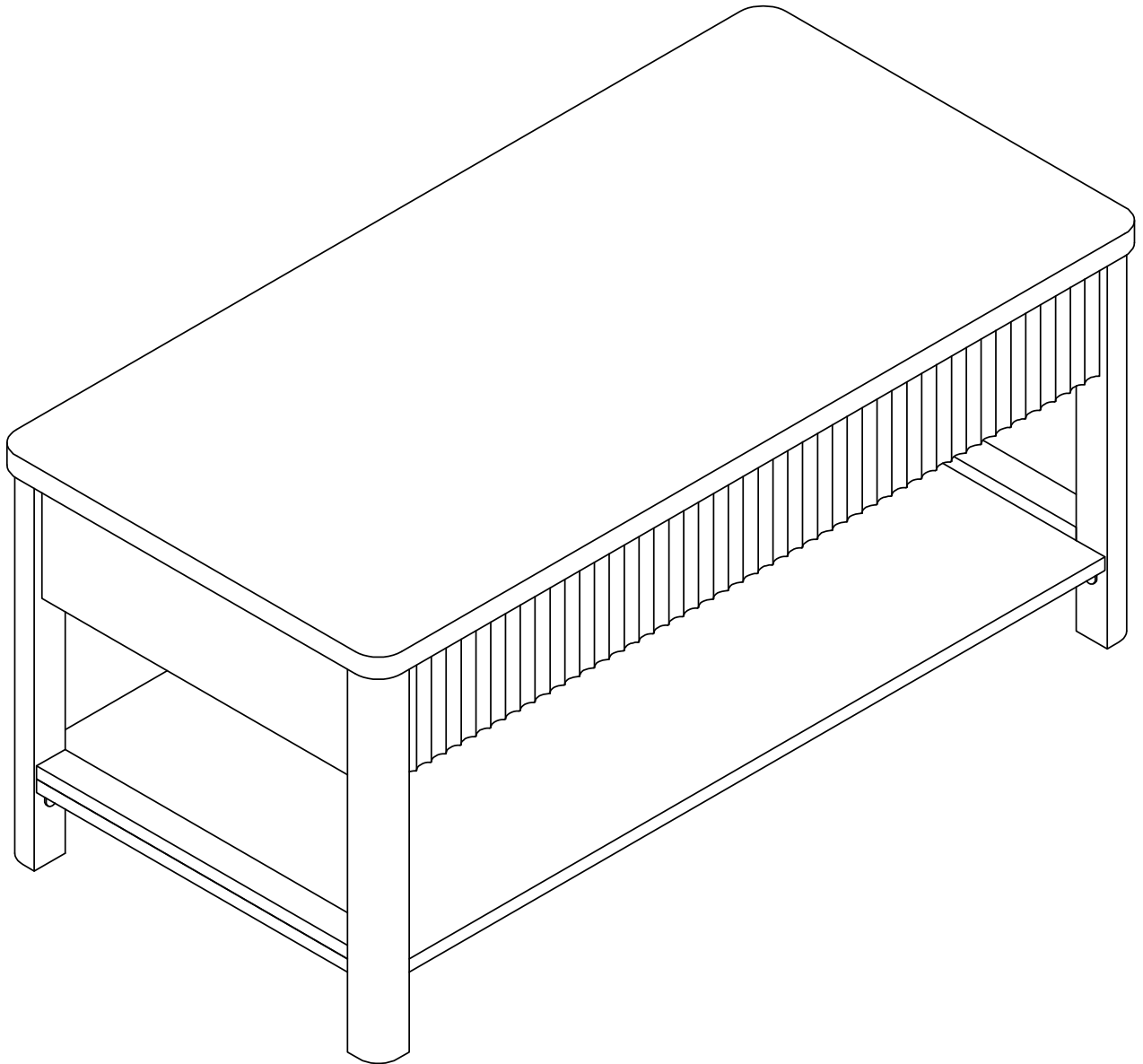
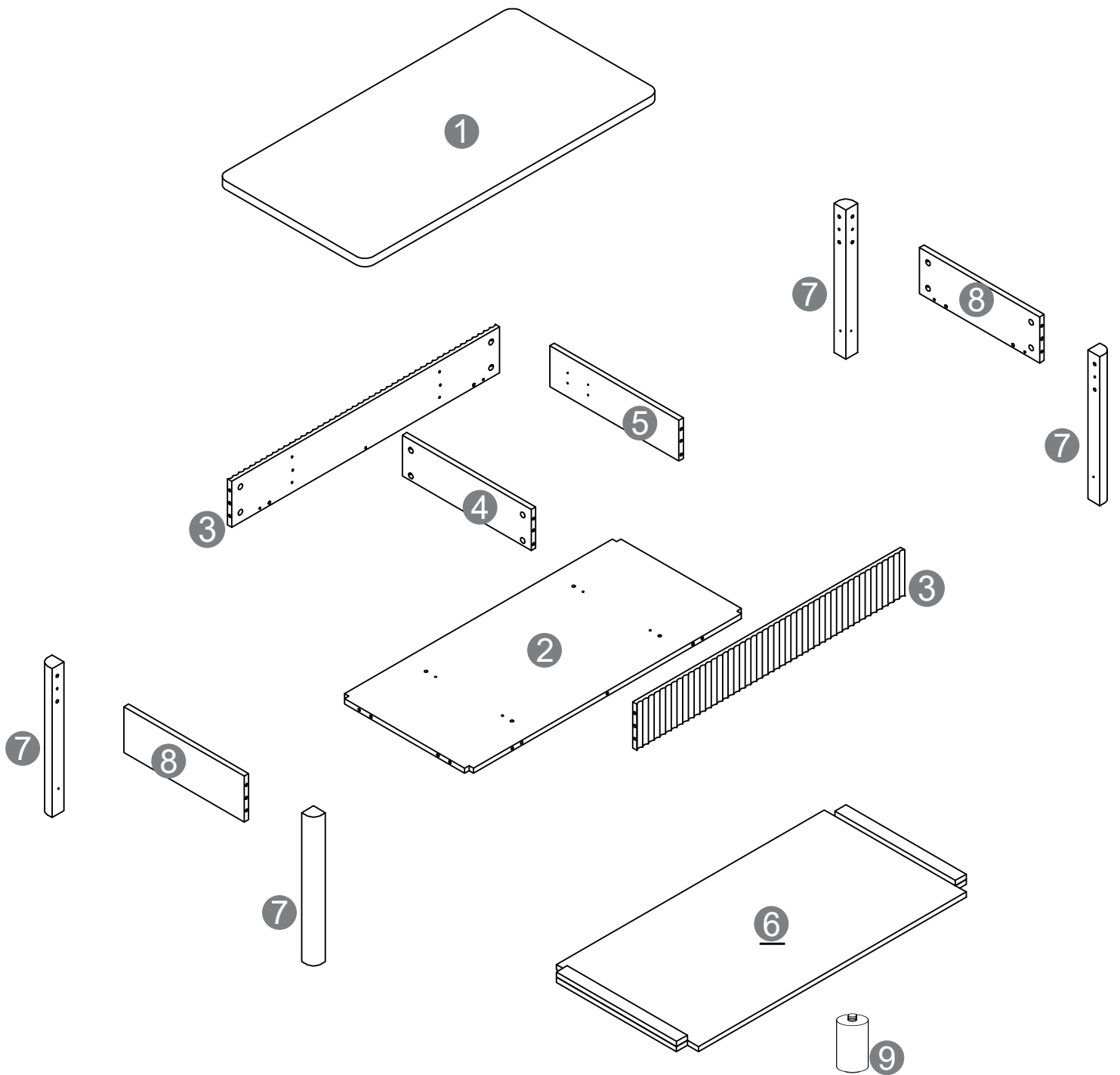
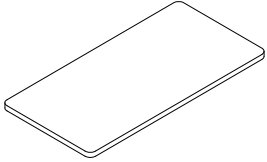
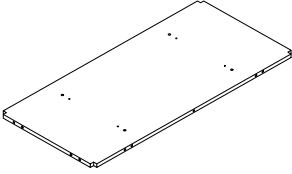
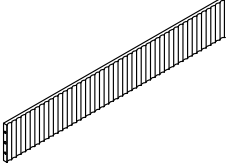
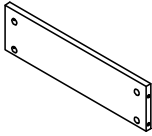
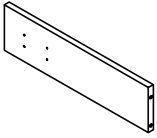
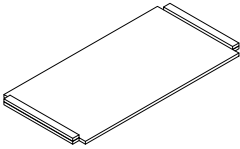
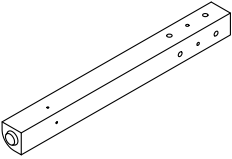
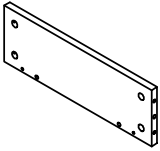



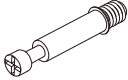




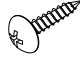

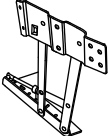

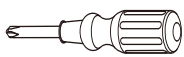
Assembly Instructions

Two-person assembly required



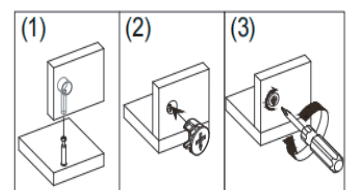
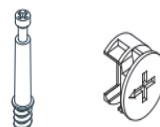


Item no.	Reference Image	Qty.
1		X1
2		X1
3		X2
4		X1
5		X1
6		X1
7		X4
8		X2
9		X1

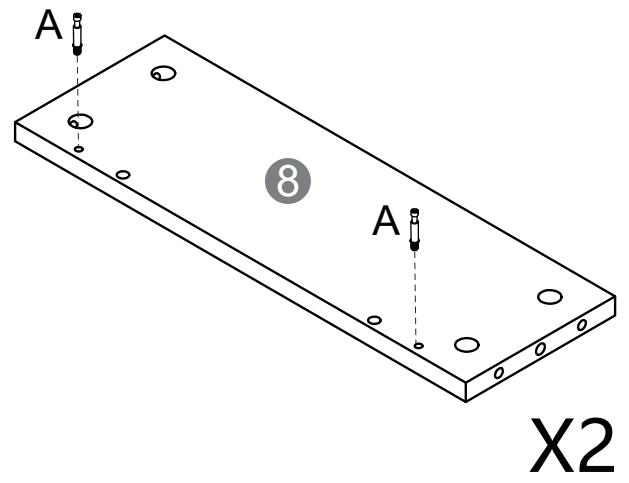
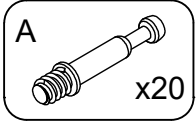
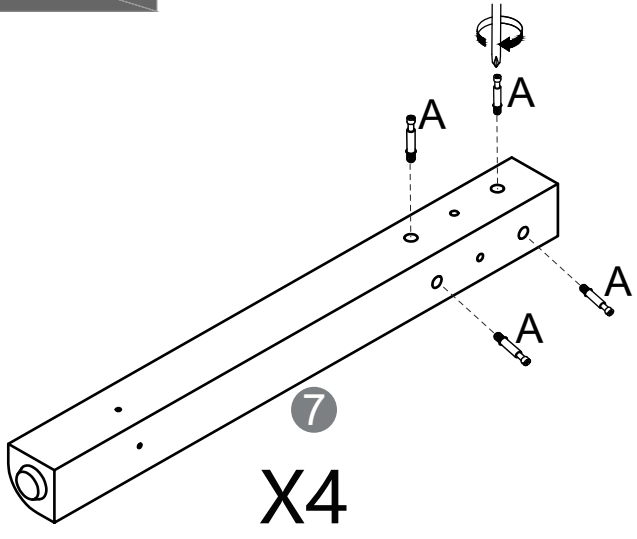
Item no.	Reference Image	Qty.
(A)	 Cam Bolt Ø6x35mm	X34
(B)	 Cam Lock Ø15x10mm	X34
(C)	 Wood Dowel Ø8x30mm	X24
(D)	 Screw M4x30mm	X4
(E)	 M5x12mm	X8
(F)	 M4x14mm	X24
(G)		X8
(H)		X1
(I)		X1
(J)		X1

Cam Lock Fastening System

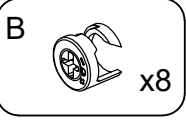
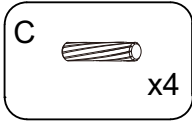
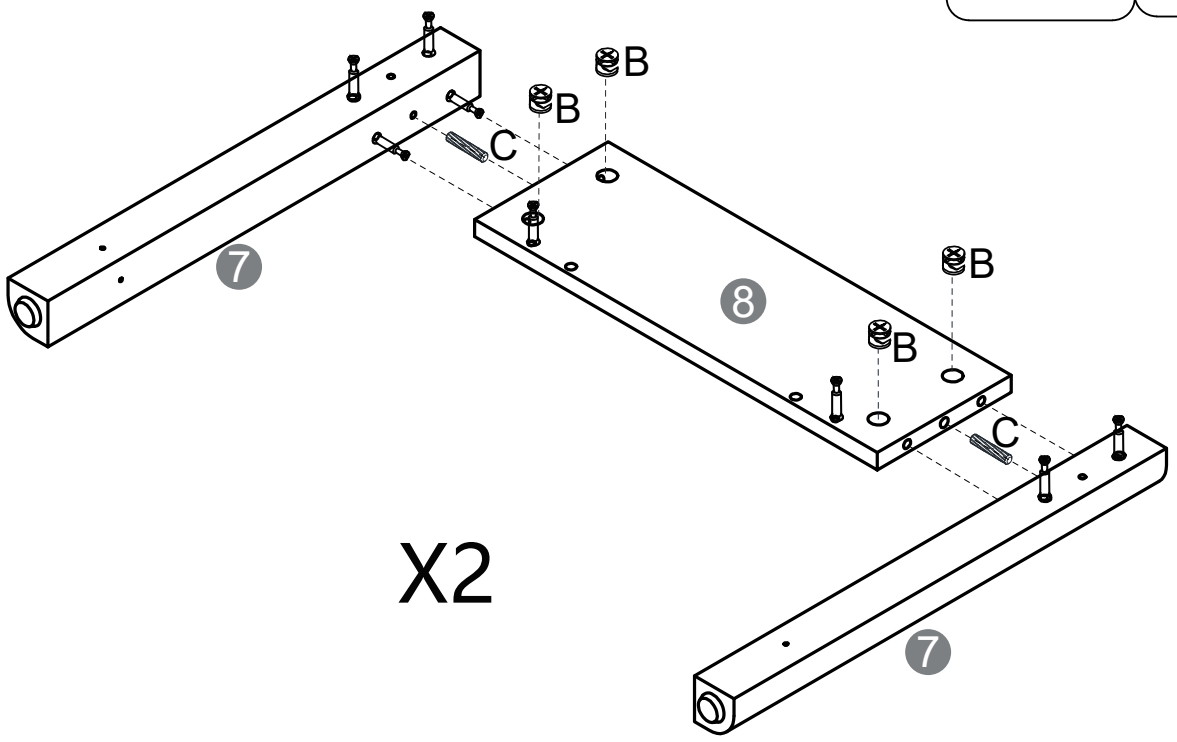
This Cam Lock Fastening System will be used throughout the assembly process



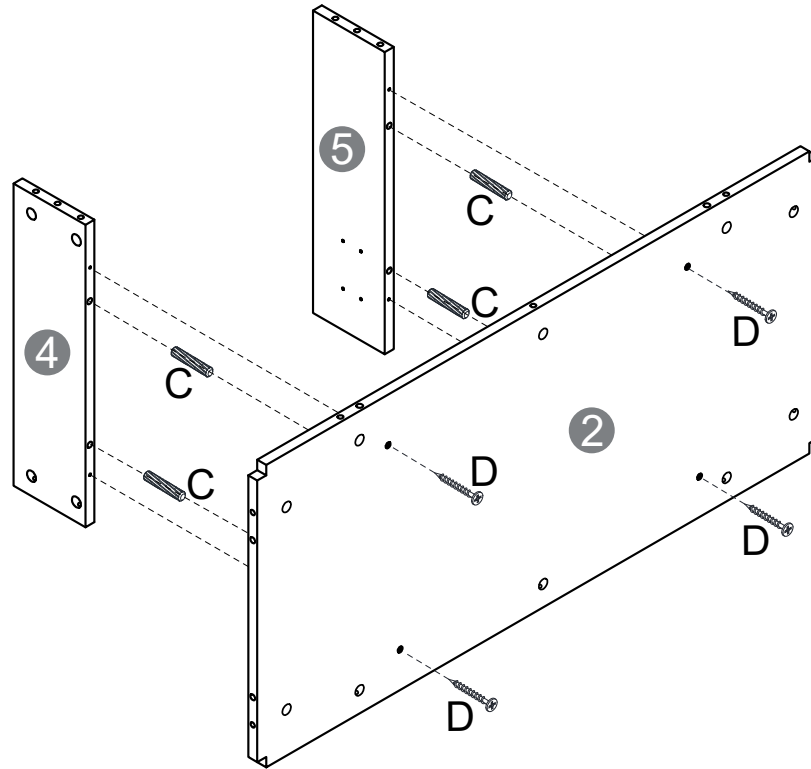
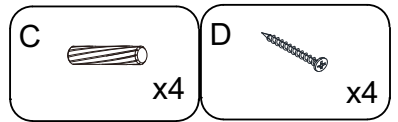
STEP 1



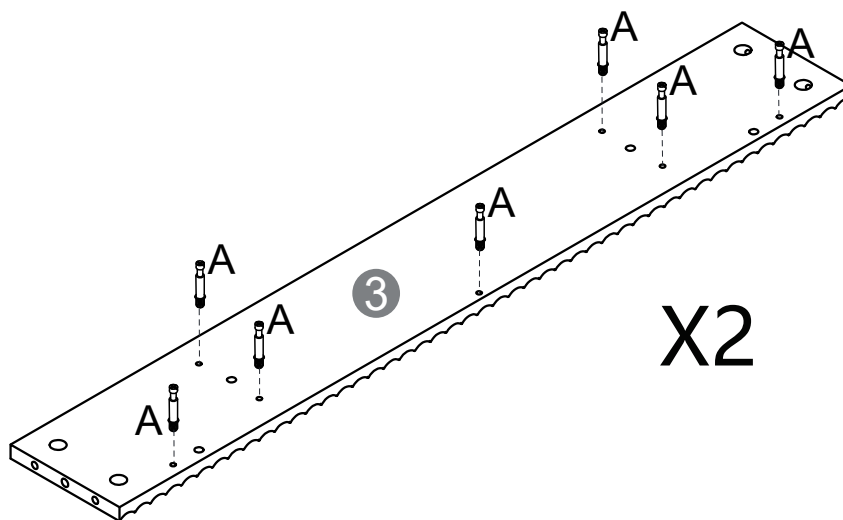
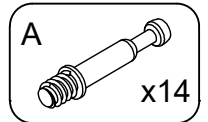
STEP 2



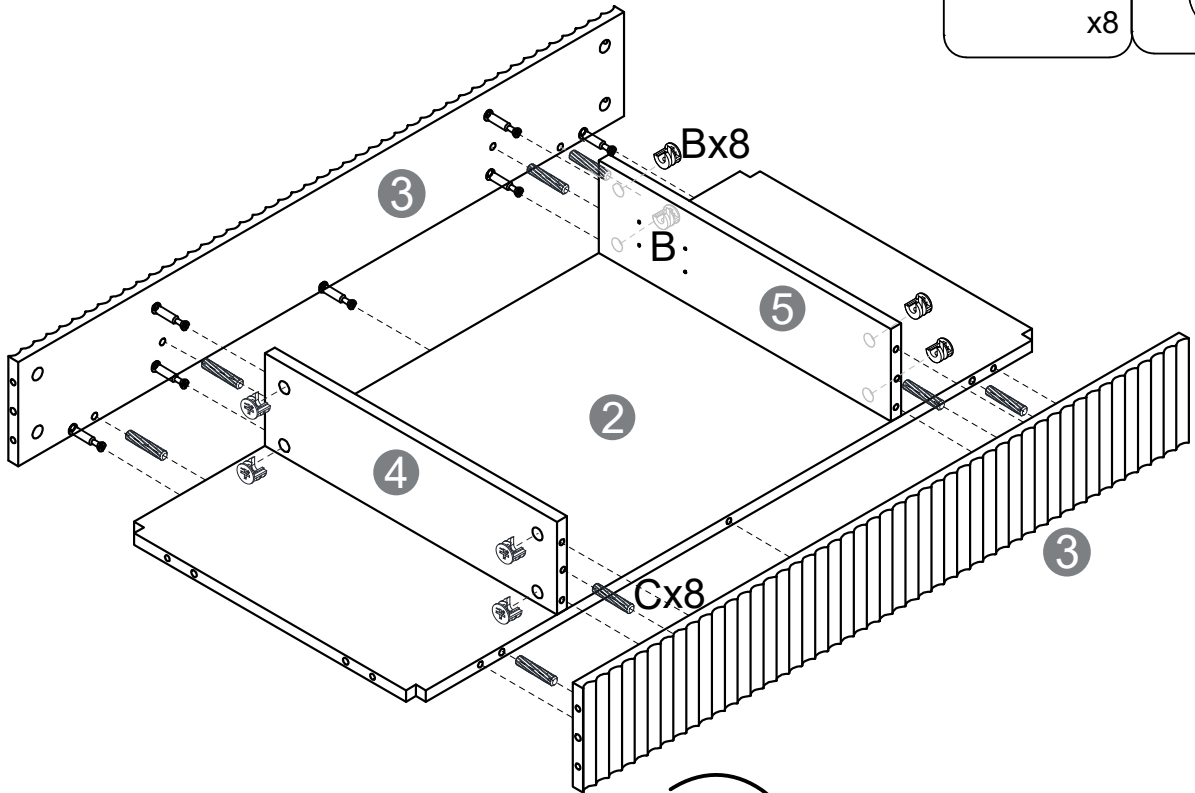
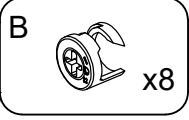
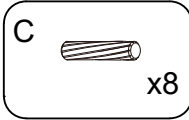
STEP 3



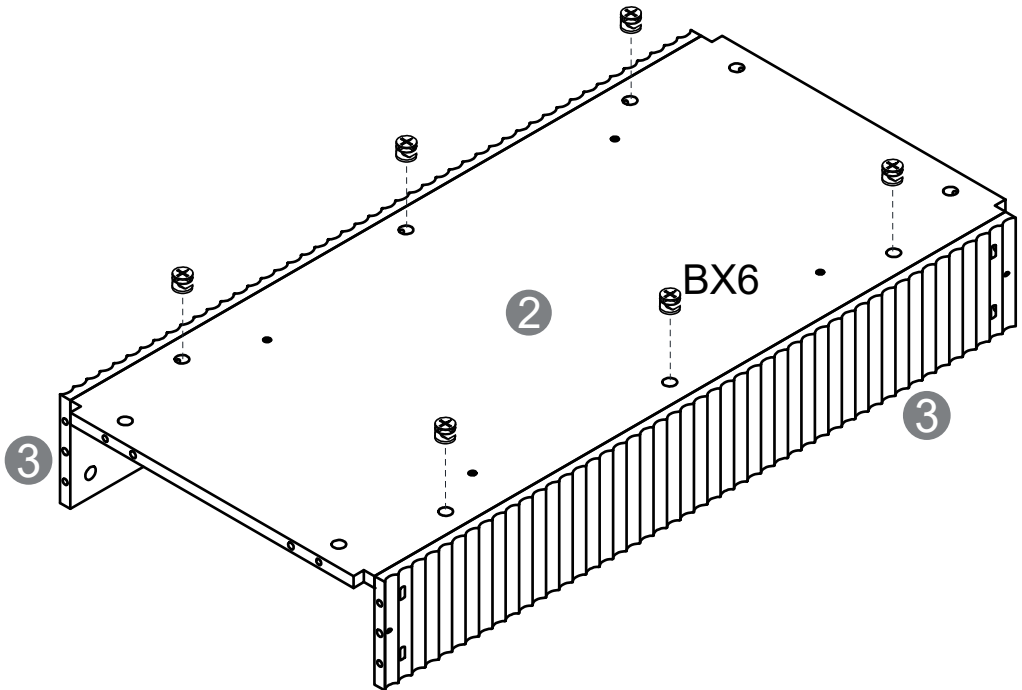
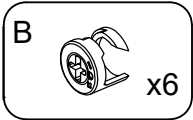
STEP 4



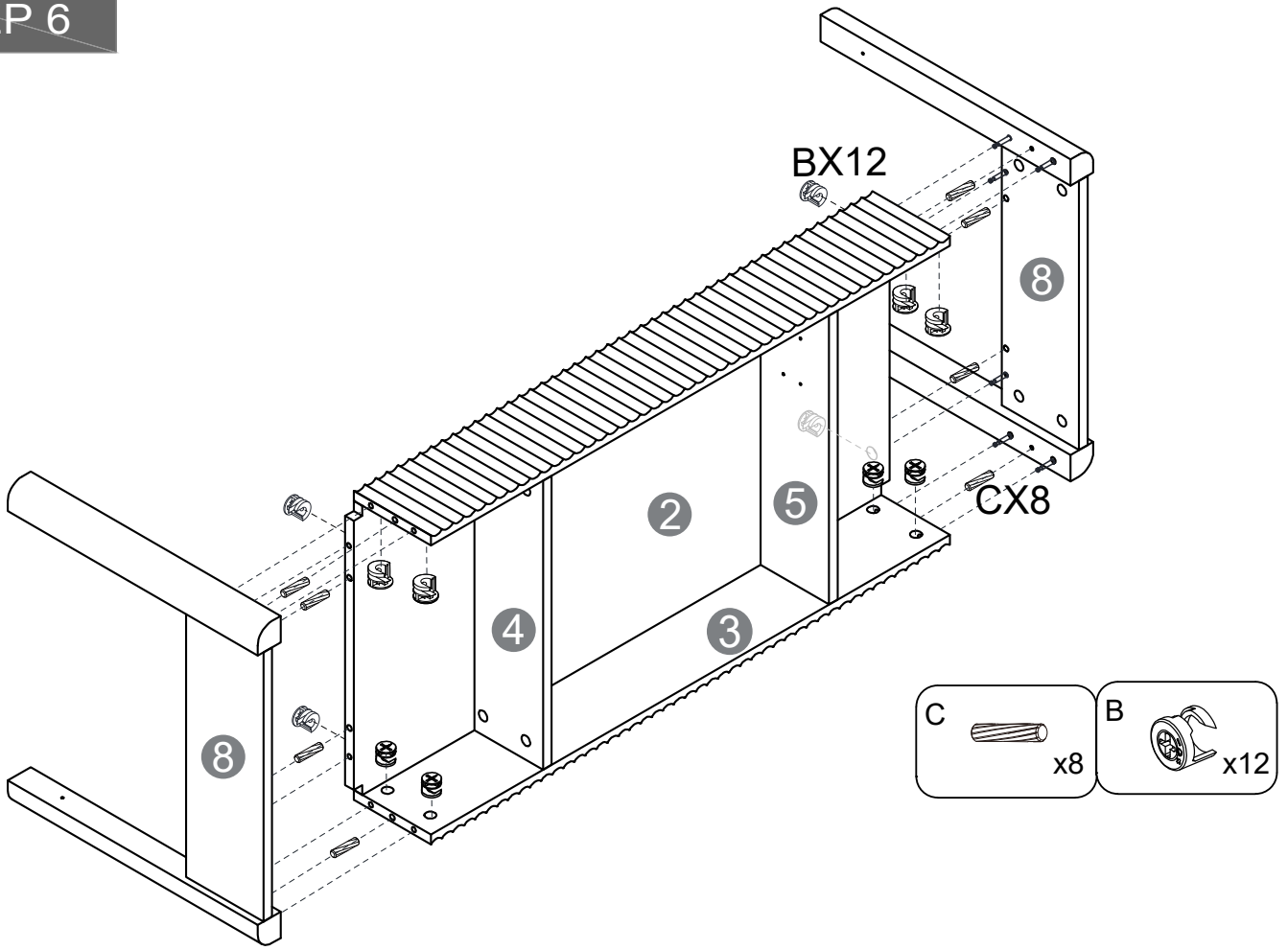
STEP 5



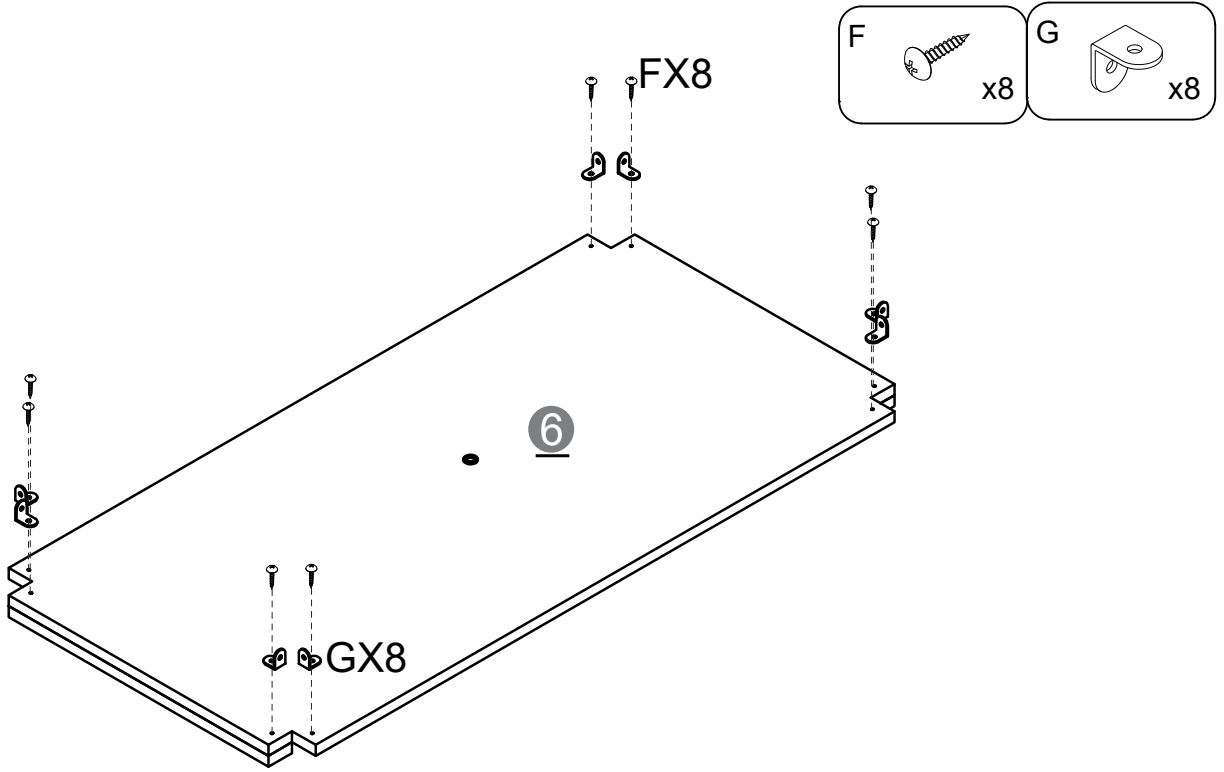
180°



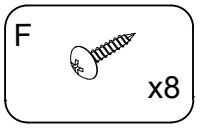
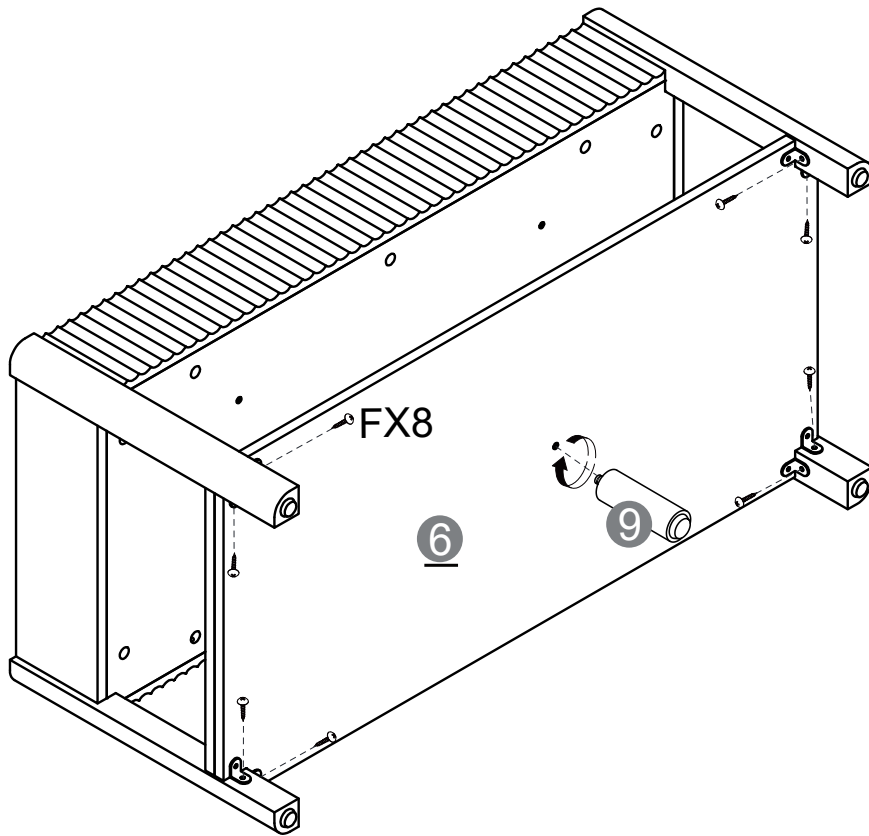
STEP 6



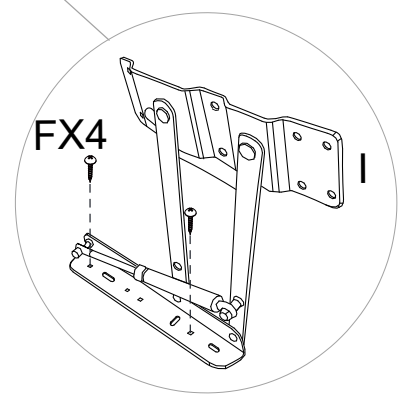
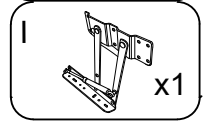
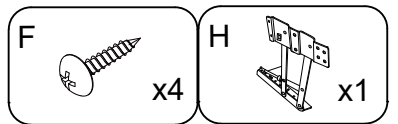
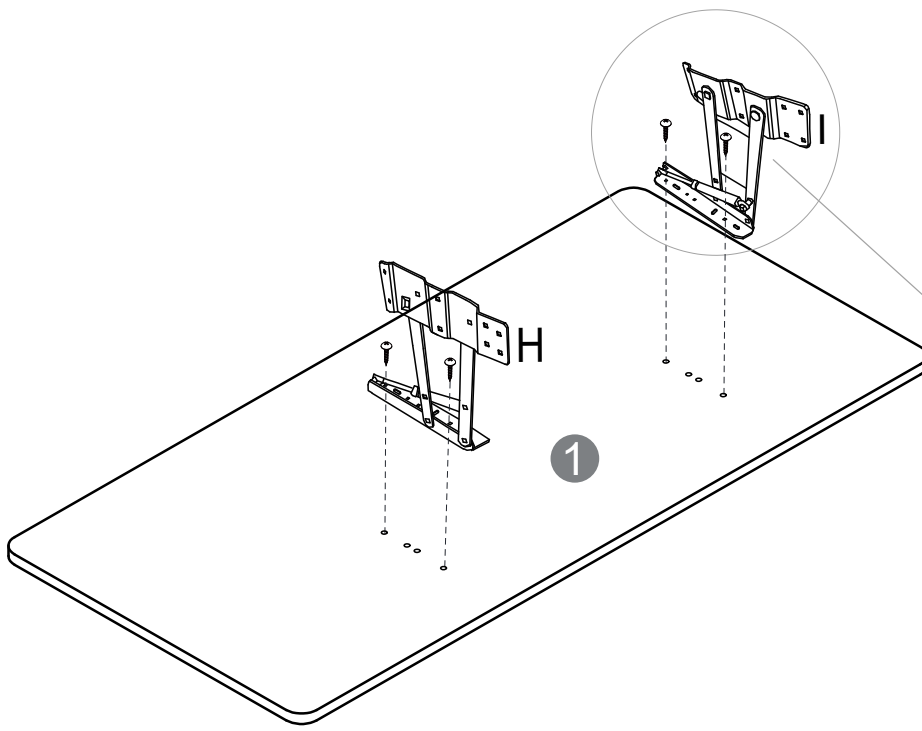
STEP 7



STEP 8

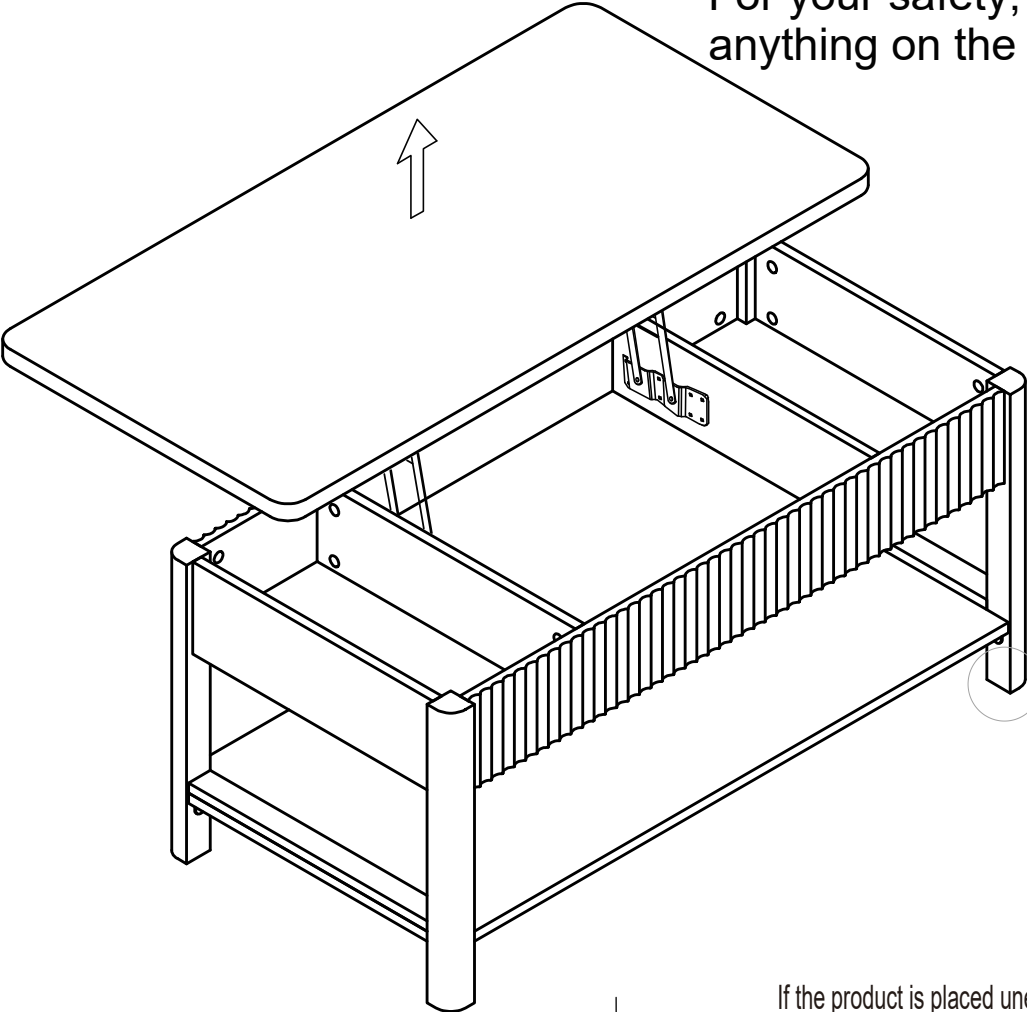


STEP 9



STEP 12

Attention!
For your safety, do not put anything on the top during lifting.



If the product is placed unevenly, you can rotate the four plastic foot nails at the bottom to make the product flat!

