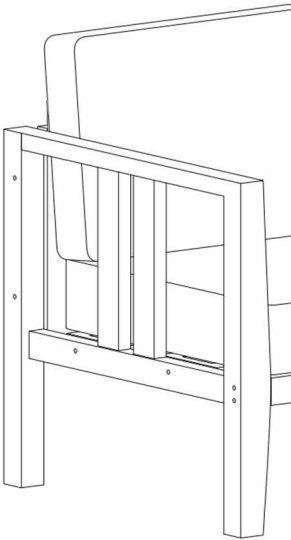


Owner Manual



WARRANTY

We strive to offer high quality product and we also try our best to satisfy each customer that order from us, no matter on products or services as needed. Each customer receives a record of their order, such as the order number or item receipt. For any items that are out of warranty period, you may still be able to purchase the replacement parts from our company if they are available.



MAINTENANCE AND WARNING

Please read the manual thoroughly
before you start installing.

Please keep the product away from
sharp object.

Packaging and small parts may have
chocking hazard, please keep them away
from children and pets.

Please clean the product according to each
clean code, check the product description
for more information.

Please keep the product away from
fire.

If you have any other questions, please
contact us, we will be glad to help you out.

If the product is placed under direct
sunlight, the pattern or color might fade
away overtime.

Check the product periodically to make
sure everything is secured and tightened.

Always use proper tools for installation.

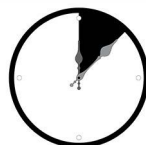
Do not jump on the product.



Two people



0-3



Around 25 min

PRODUCT DESCRIPTION

Premium Teak Wood Frame: Designed to handle heavy use, each chair features a robust teak construction that supports up to 400 lbs while aging beautifully outdoors.

Weatherproof Comfort: The cotton-blend fabric resists moisture, dries quickly, and remains breathable even in direct sunlight.

Stylish & Functional Arm Design: The hollow square armrests add visual interest while allowing airflow and a light, open look

Low-Maintenance Living: From spills to pollen, the easy-clean surface of the fabric ensures you spend more time enjoying your space, less time scrubbing.

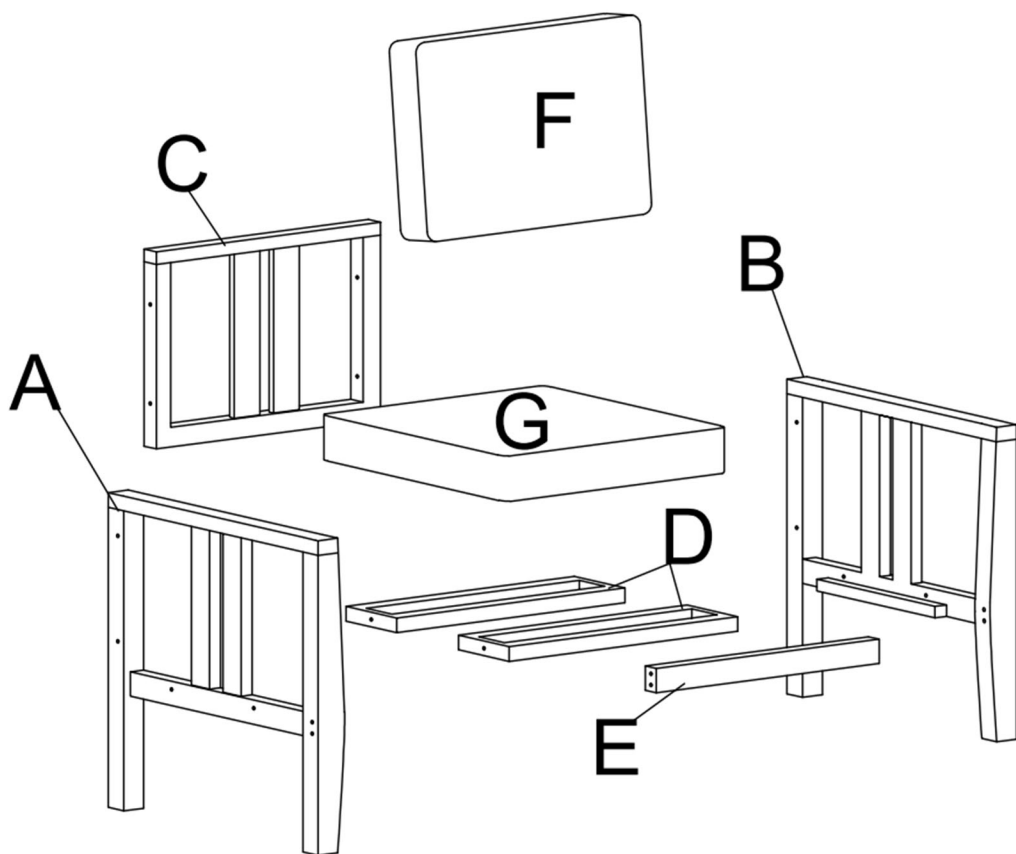
Perfect Outdoor Fit: This chair set is ideal for patios, balconies, fire pit corners, or garden seating, wherever durability and design matter.



EXPLODED VIEW



The product's left and right are determined by sitting posture



PARTS

Ax2



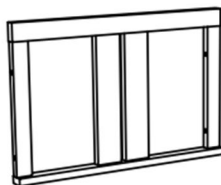
Right arm

Bx2



Left arm

Cx2



Backrest

Dx4



Seat frame

Ex2



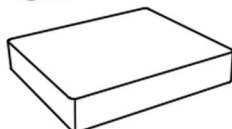
Seat rail

Fx2



Back cushion

Gx2



Seat cushion

HARDWARE

TOOL LIST

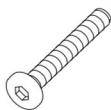
NOTE: Designated with (★) We provide additional spare parts in the hardware package

①*16



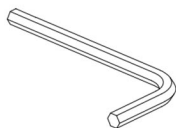
★ M6*50mm
Bolts

②*8



★ M6*60mm
Bolts

③* 1



Allen key

④*8



Ø10*13mm
Vertical nut

⑤*24



★ Hole cover

⑥*24

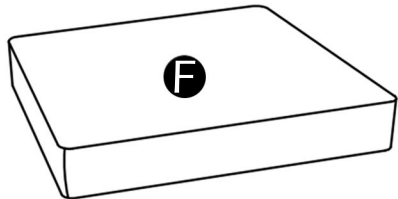
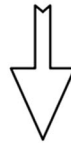
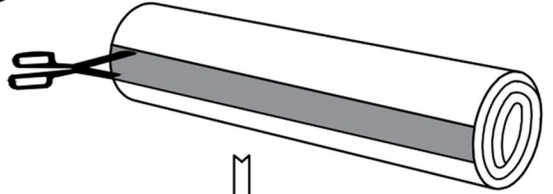
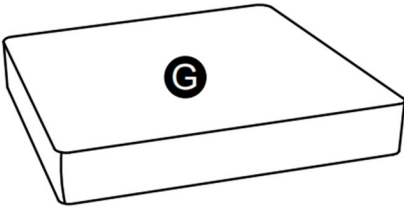
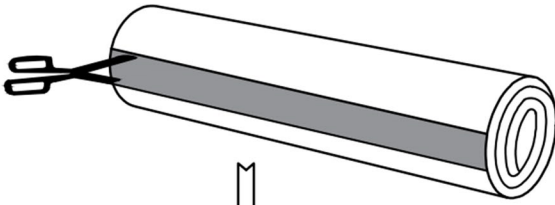


★ Ø6*14mm
Flat washer

Please make sure all hardware&packing material fitting the list. Especially some small accessories may be missing during transportation. Please contact us if you have any question.

step 1

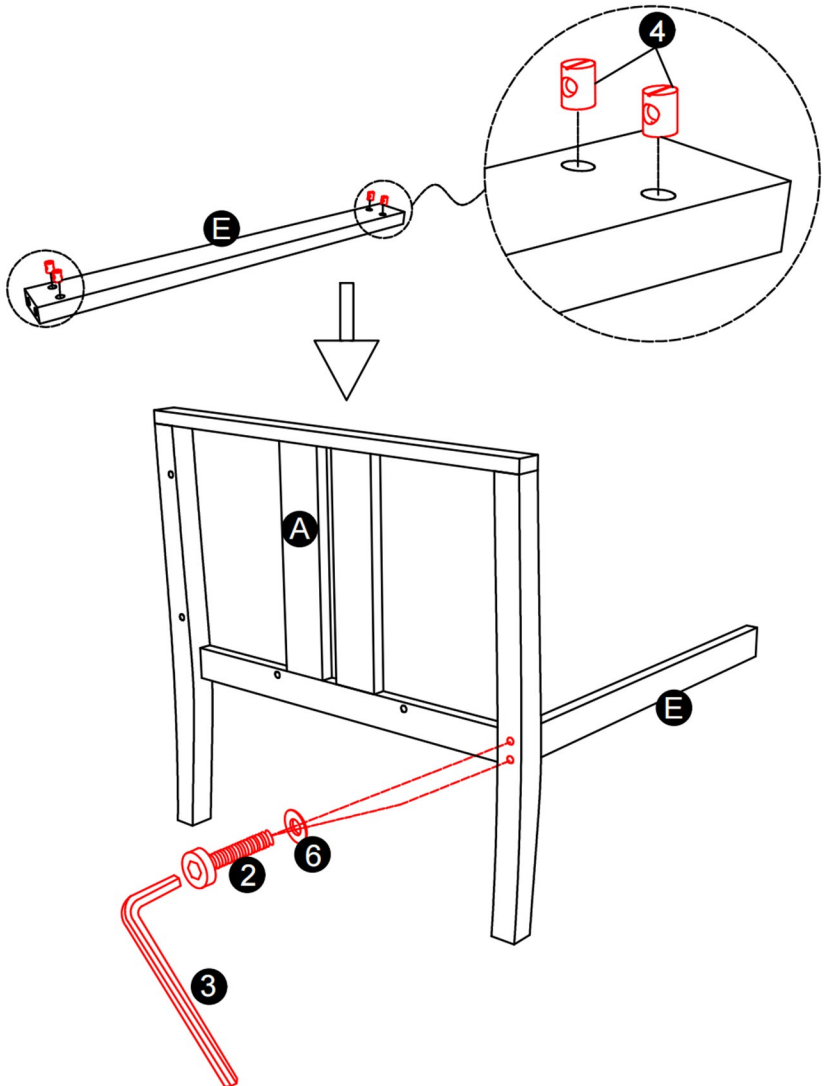
After taking out the cushions (G&F) from the air compression bags, please allow them to recover for a period of time. It may take up to 48 hours to fully recover. You can gently slap them to speed up the process.



step 2

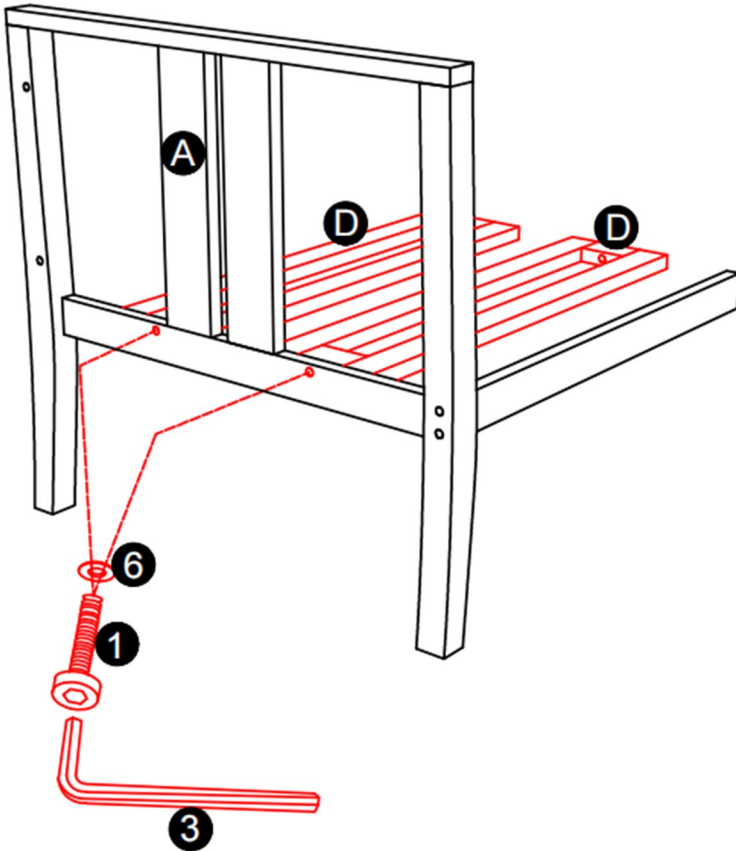
Place the nuts (4) into the designated holes on the Seat Rail (E) as shown, make sure the holes on the nuts (4) are aligned with the holes on both sides of the Seat Rail.

Attach the Seat Rail (E) to the Right Armrest (A), use the allen wrench (3) provided to tighten the bolts(2) and flat washers (6).



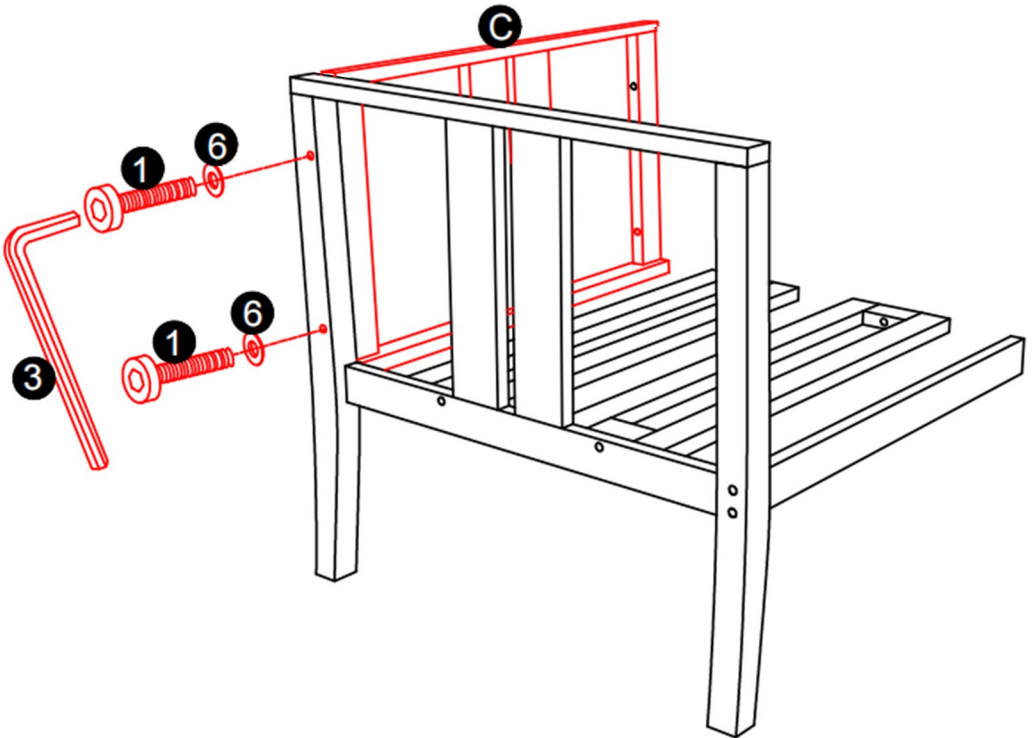
step 3

Place one flat washer (6) on each bolt (1), and use the allen wrench provided to tighten the Seat Frame (D) to the Right Armrest (A) as shown.



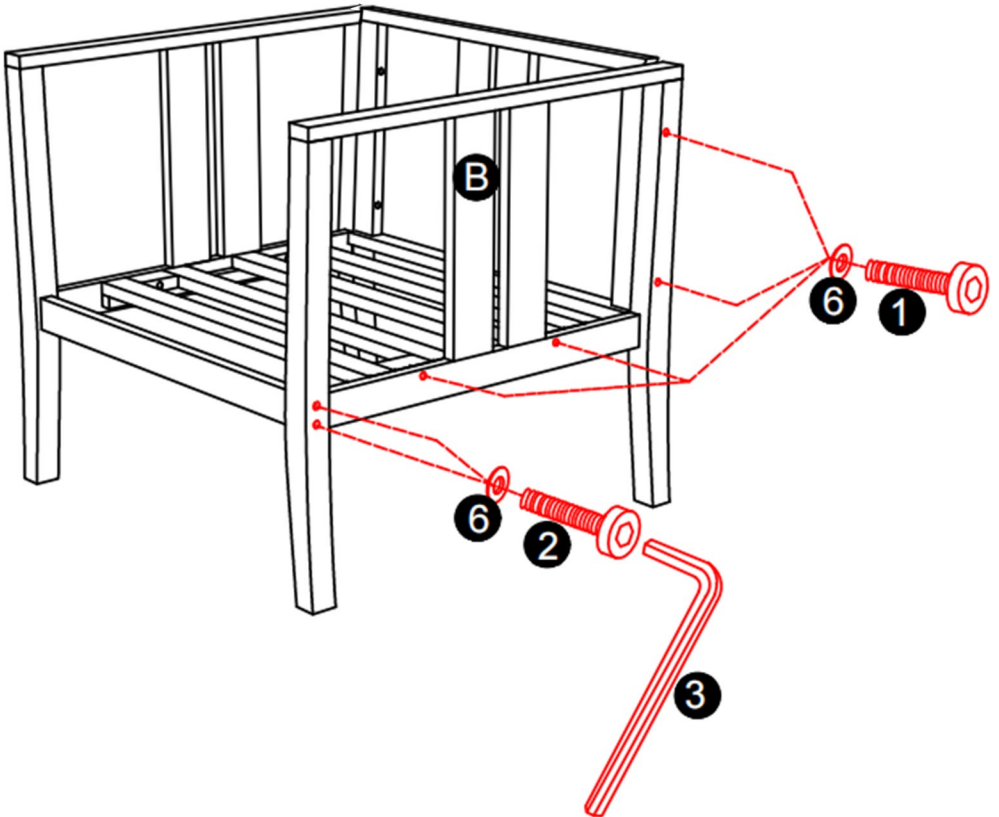
step 4

Connect the Backrest (C) to the Right Armrest (A) as shown, then use the allen wrench provided (3) to tighten the bolts (1) and flat washers (6).



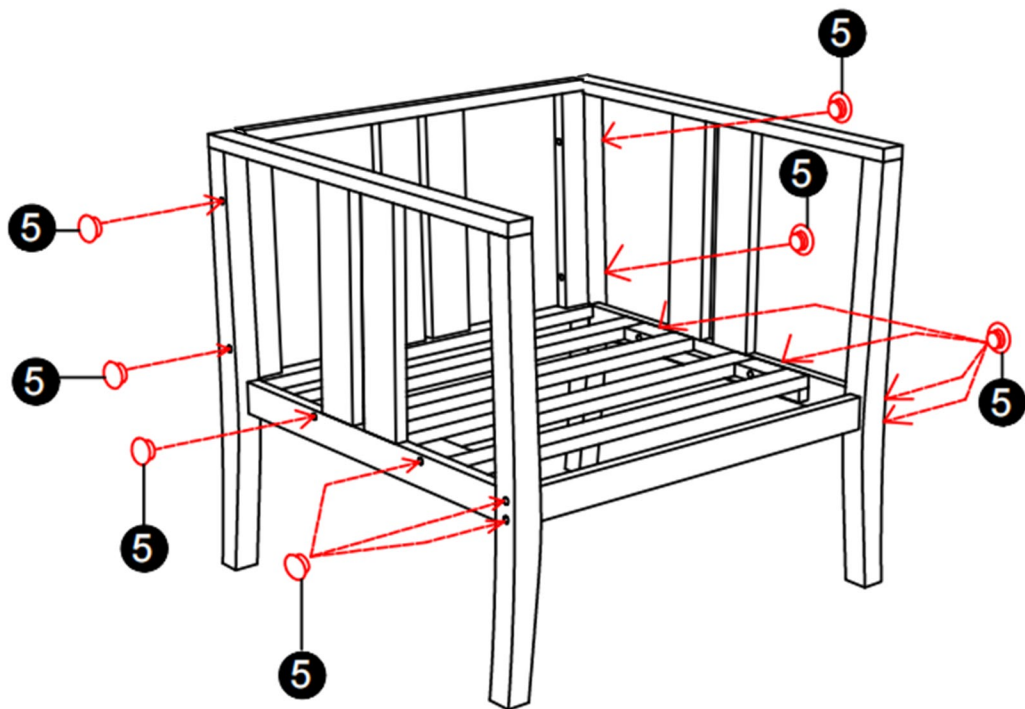
step 5

Install the Left Armrest (B) using the same method from previous step.



step 6

Cover all the bolt holes on both legs with the Plastic Caps (5) as shown.



step 7

Place the Back Cushion (F) and Seat Cushion (G) on the chair. Back Cushion (F) against the backrest with the tag facing front as shown.

