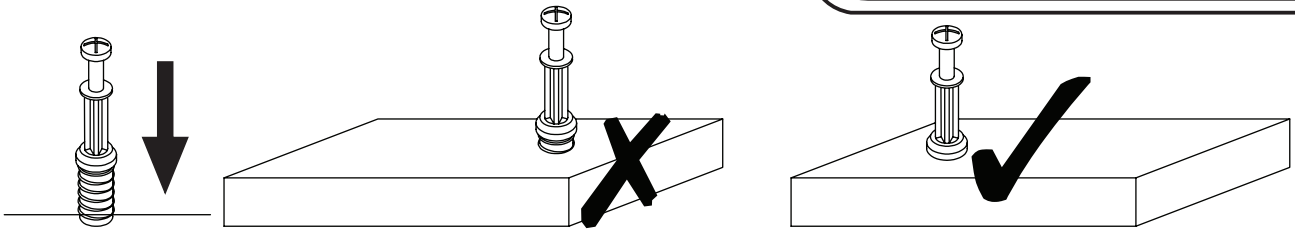
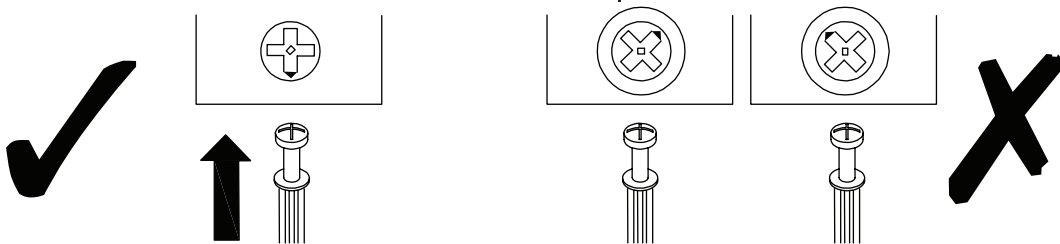


EN_IMPORTANT, RETAIN FOR FUTURE REFERENCE: READ CAREFULLY.

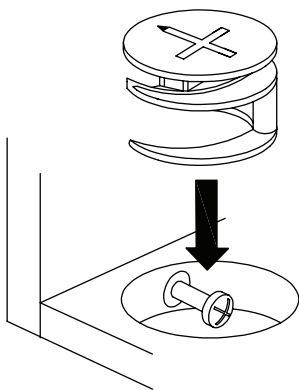
USING CAM LOCK AND QUICKFIT



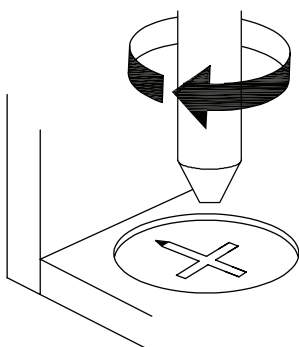
EN_QUICKFIT: Tighten quickfit until shoulder is flush with panel. Do not overtighten or undertighten.



EN_CAM LOCK: When fitting cam lock, ensure starting position is correct before you insert connecting quickfit.

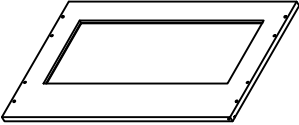
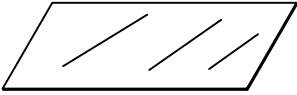
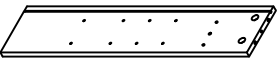


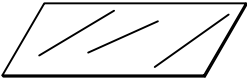
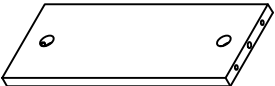
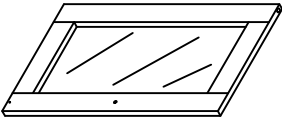

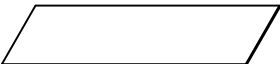


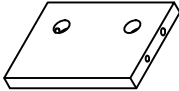

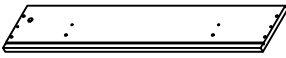
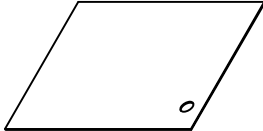
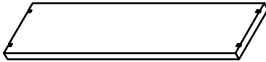
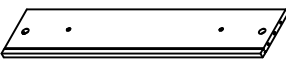
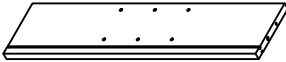
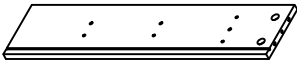
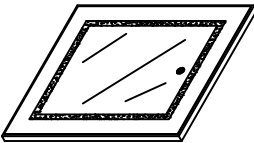
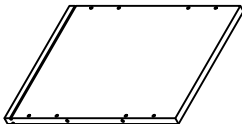
EN_Quickfit head should be in the centre of the cam lock when the two panels are joined.
Cam lock should be inserted before quickfit.



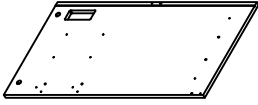
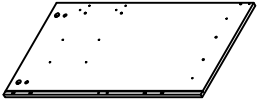
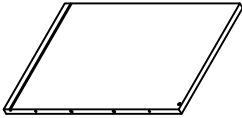
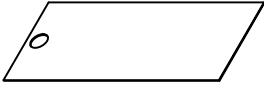
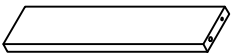
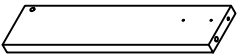
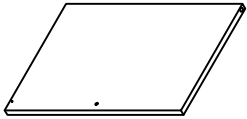
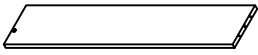
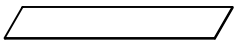
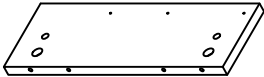
EN_Turn cam lock clockwise to tighten.

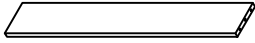
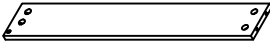
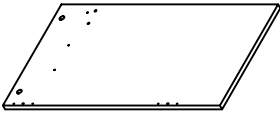
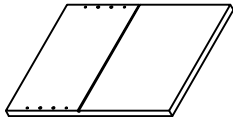
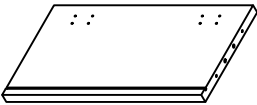
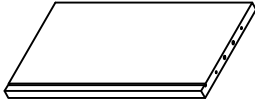
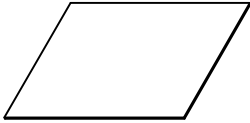
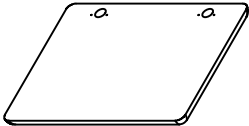
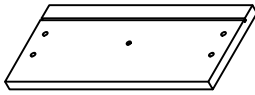
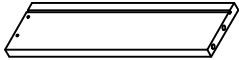
PACKING DELALS

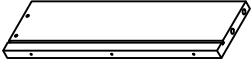
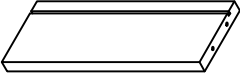

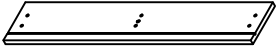
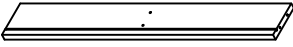

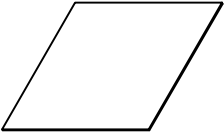
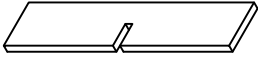


NO.	PARTS	QTY	SPARE
①		x1	
②		x1	
③		x1	
④		x1	
⑤		x1	
⑥		x2	
⑦		x1	
⑧		x1	
⑨		x1	
⑩		x2	

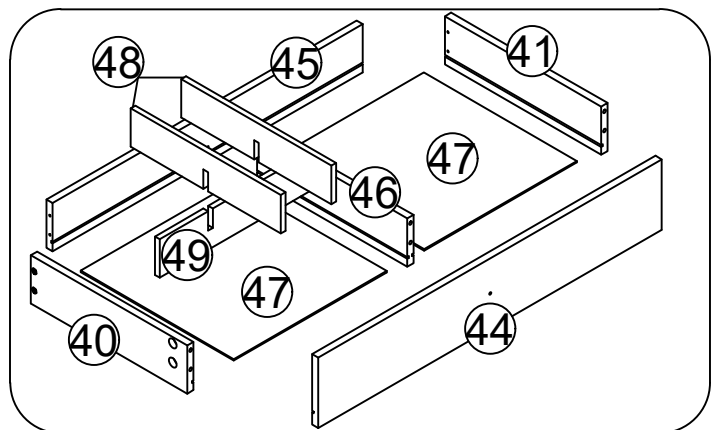
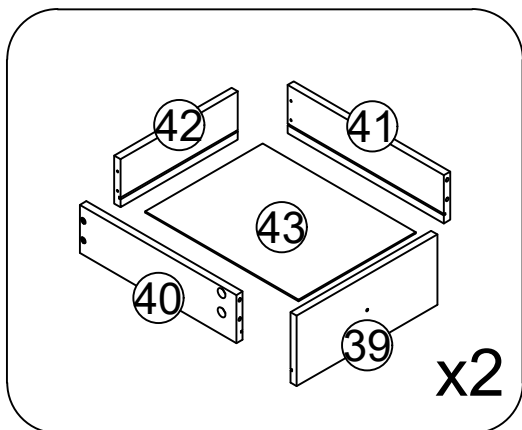
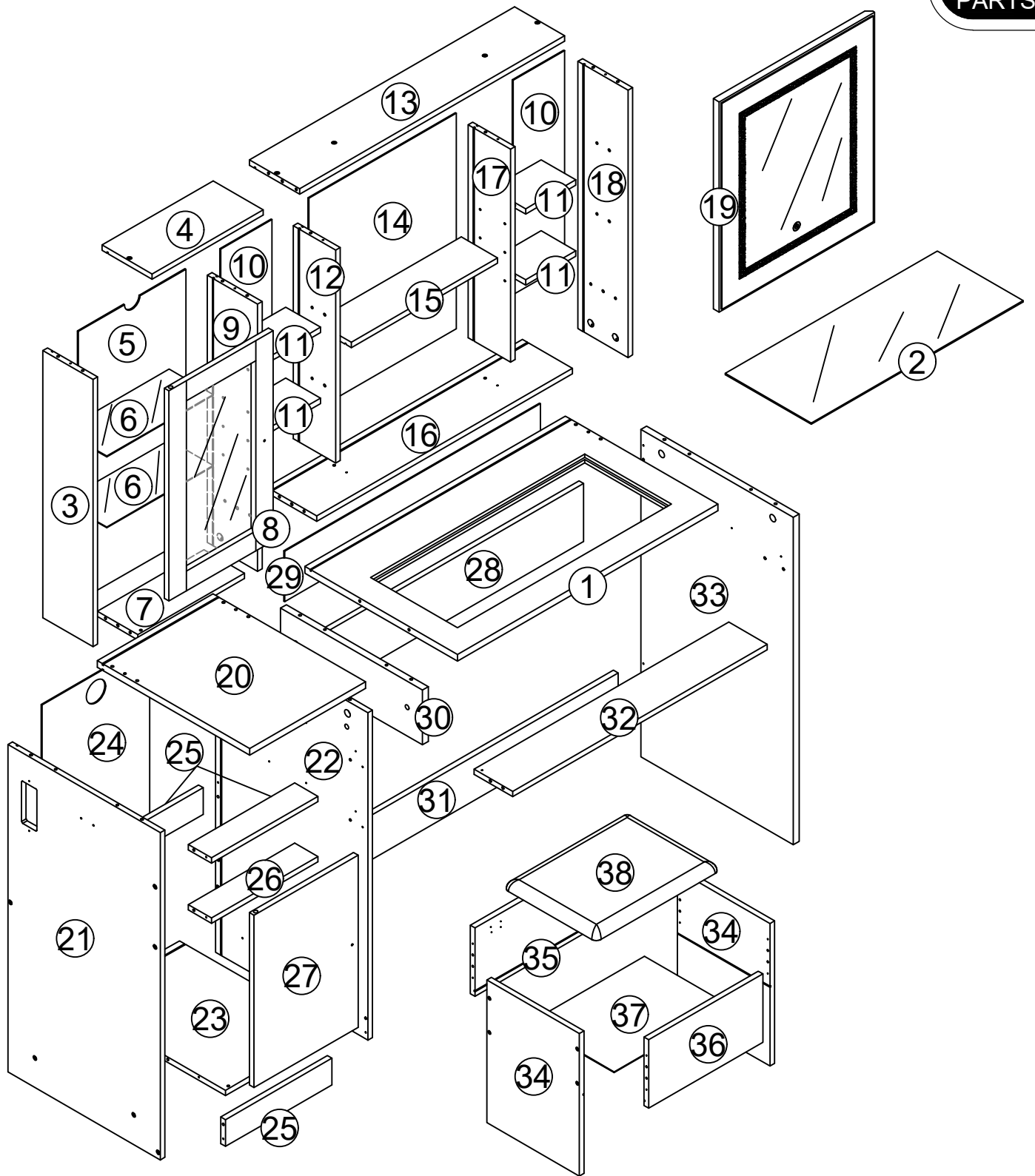
NO.	PARTS	QTY	SPARE
⑪		x4	
⑫		x1	
⑬		x1	
⑭		x1	
⑮		x1	
⑯		x1	
⑰		x1	
⑱		x1	
⑲		x1	
⑳		x1	

PACKING DELALS

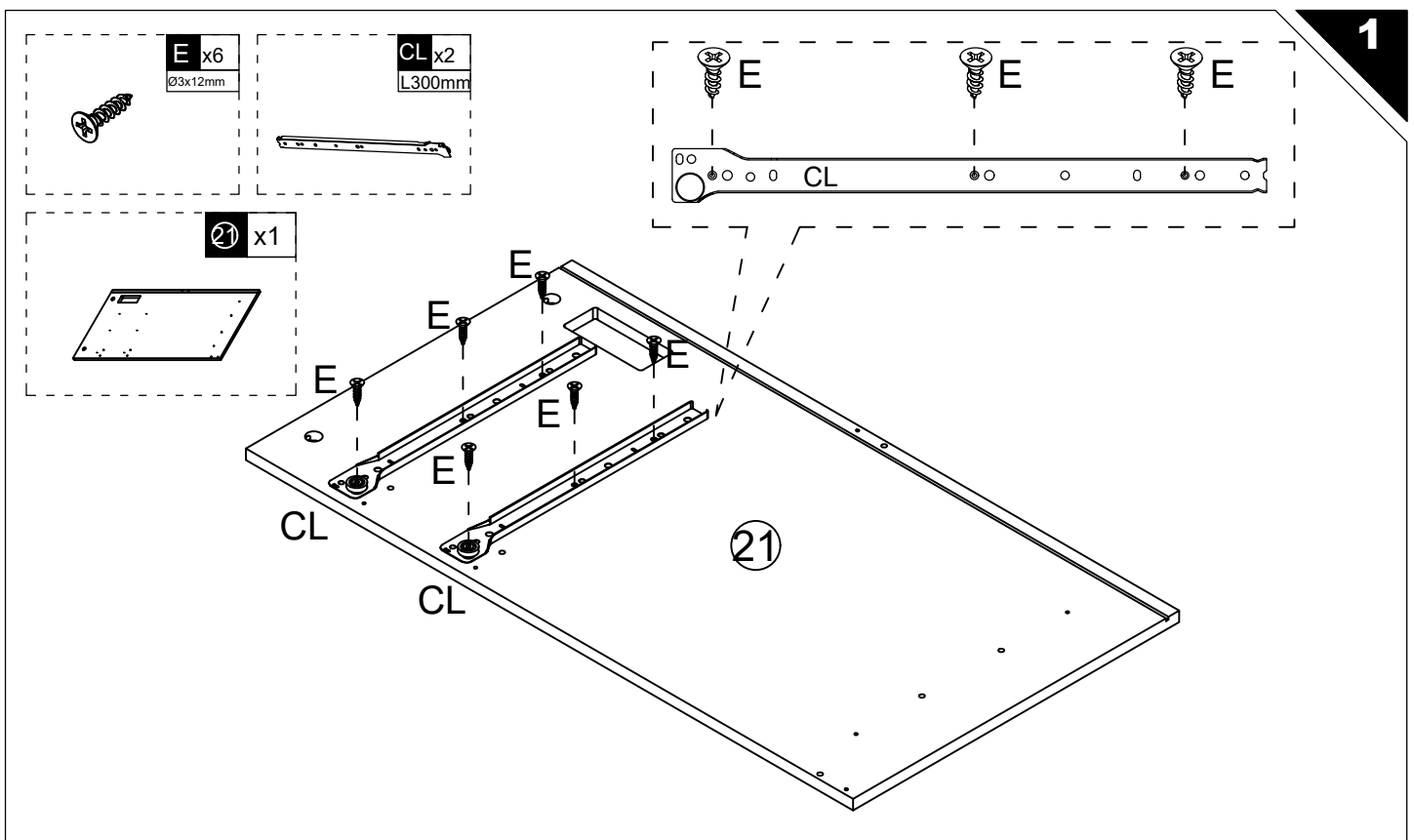
NO.	PARTS	QTY	SPARE
21		x1	
22		x1	
23		x1	
24		x1	
25		x3	
26		x1	
27		x1	
28		x1	
29		x1	
30		x1	

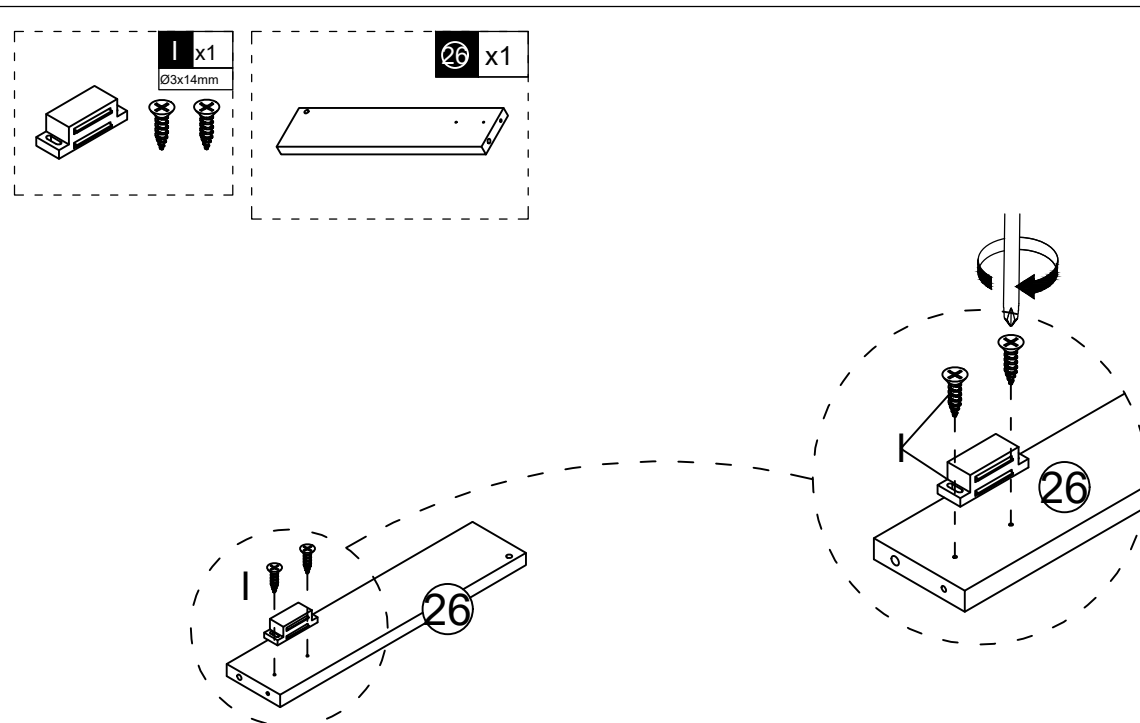
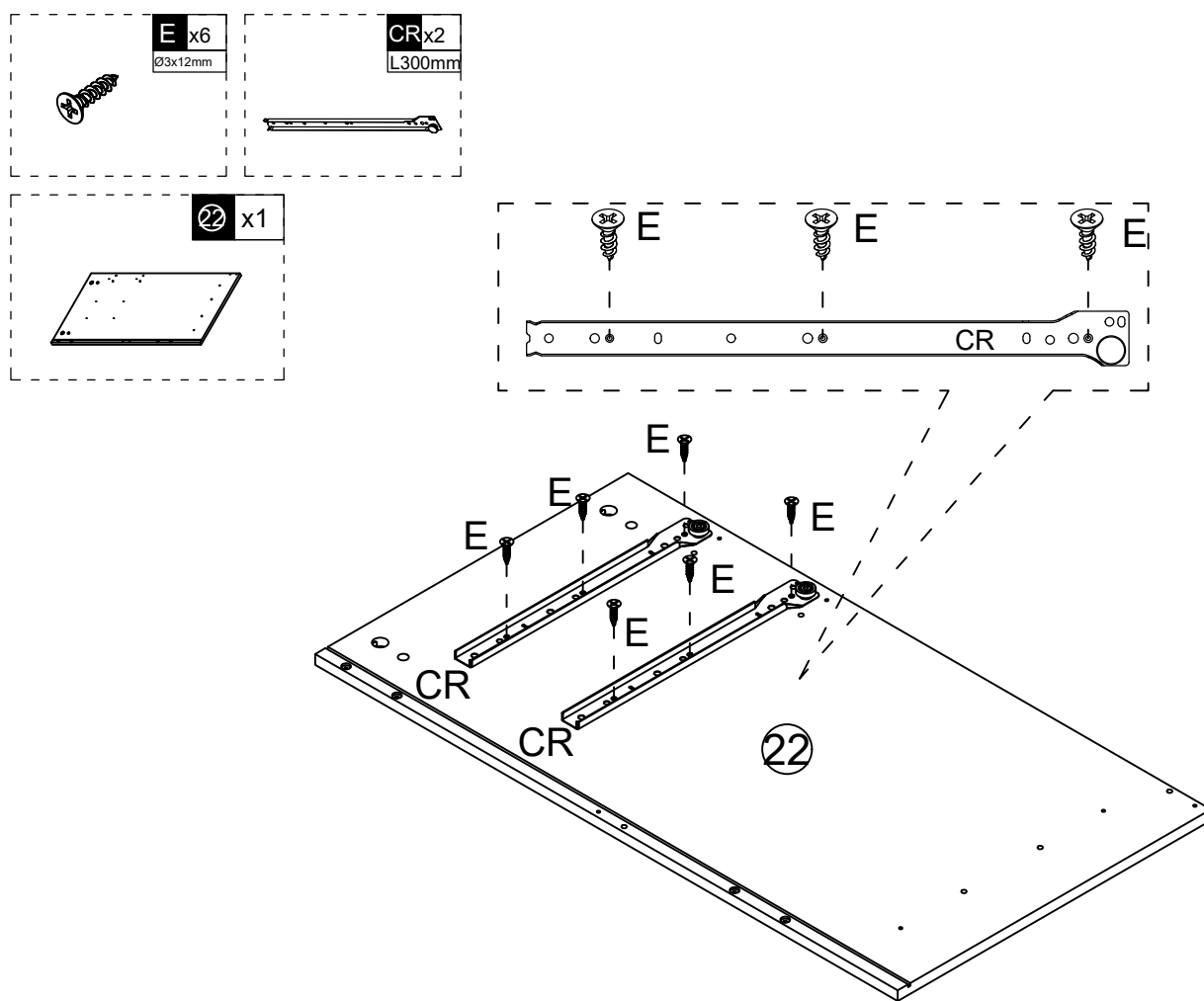
NO.	PARTS	QTY	SPARE
31		x1	
32		x1	
33		x1	
34		x2	
35		x1	
36		x1	
37		x1	
38		x1	
39		x2	
40		x3	

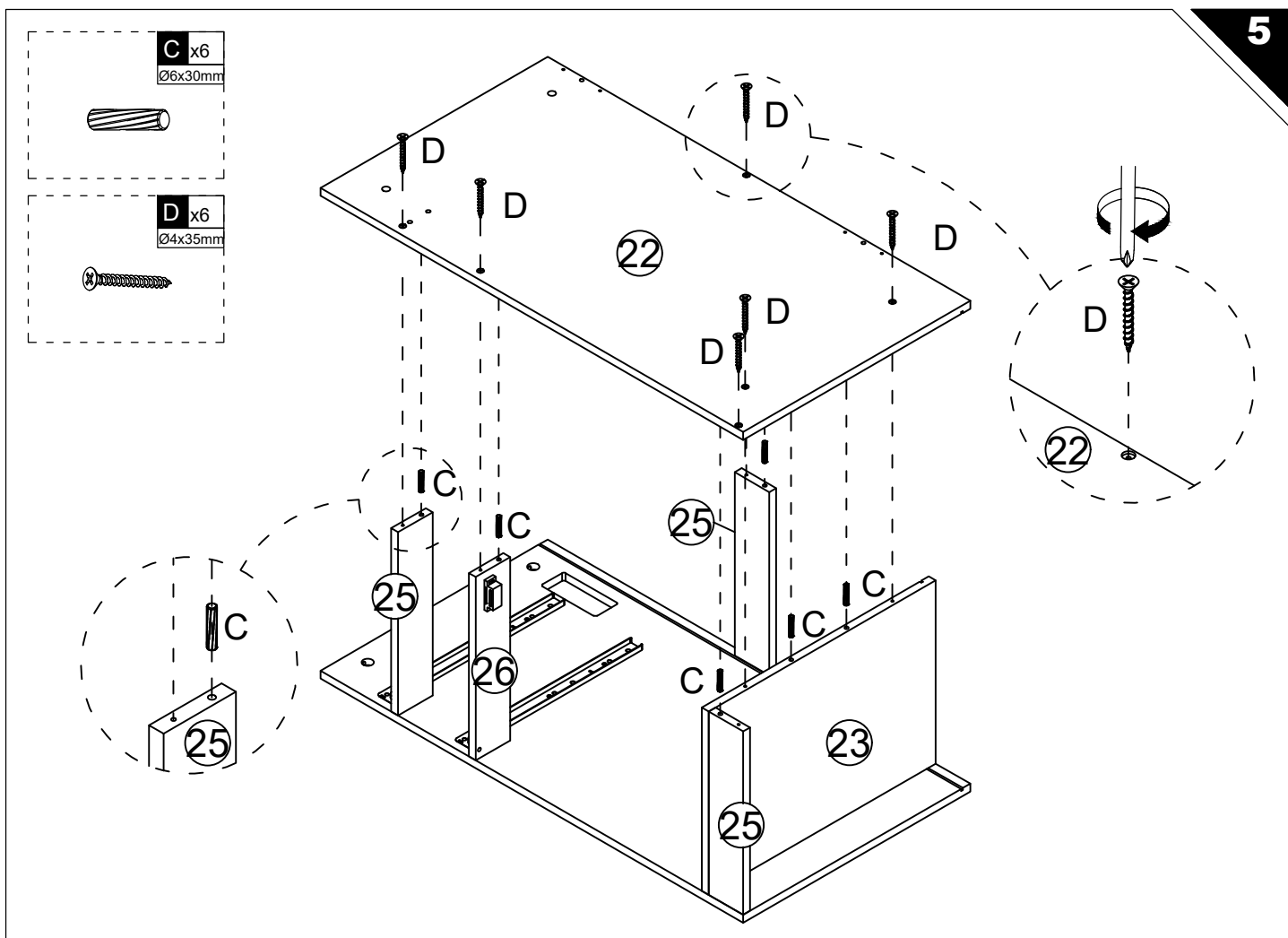
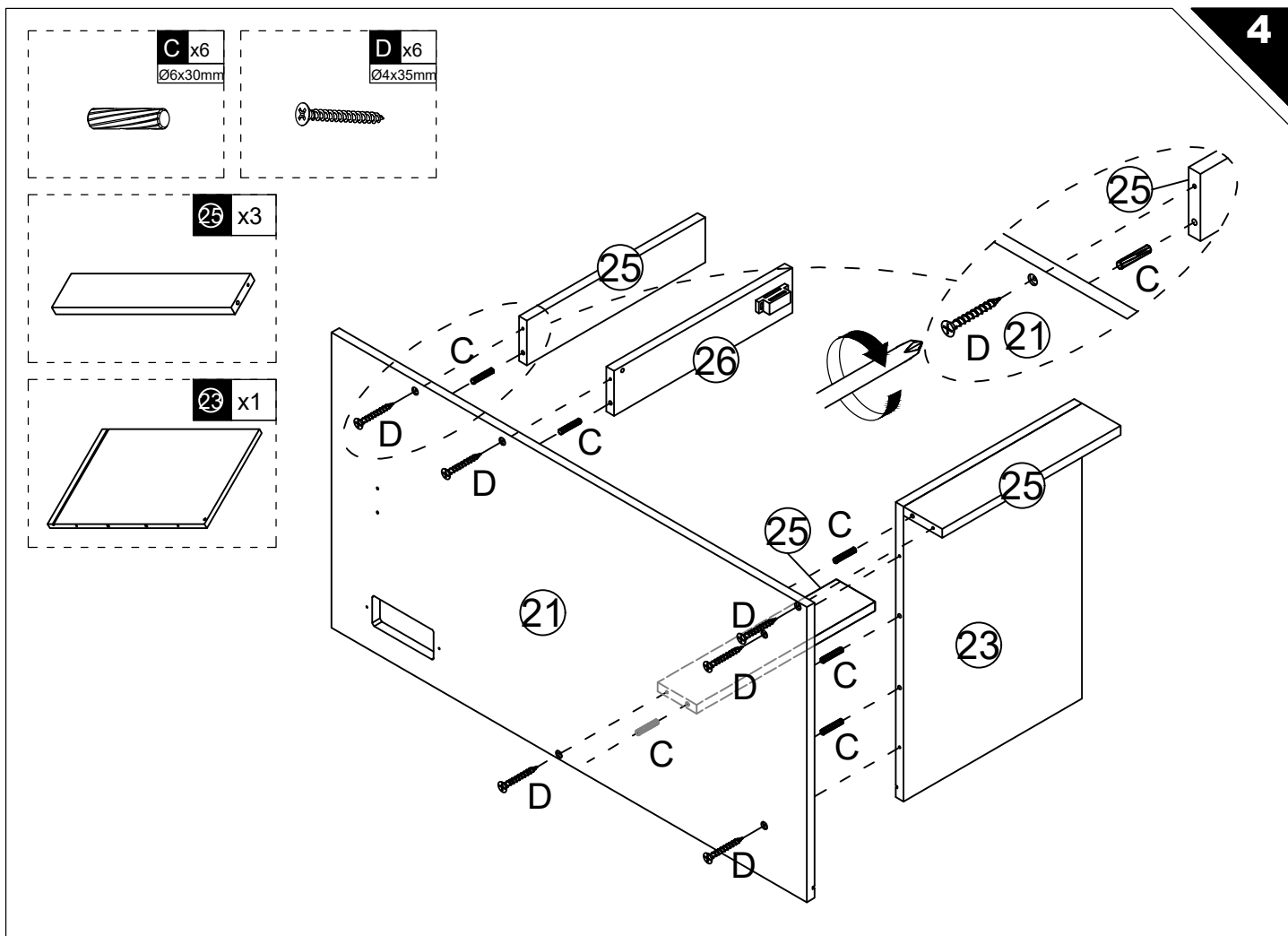
NO.	PARTS	QTY	SPARE
④1		x3	
④2		x2	
④3		x2	
④4		x1	
④5		x1	
④6		x1	
④7		x2	
④8		x2	
④9		x1	
	 Hardware Kit	x1	

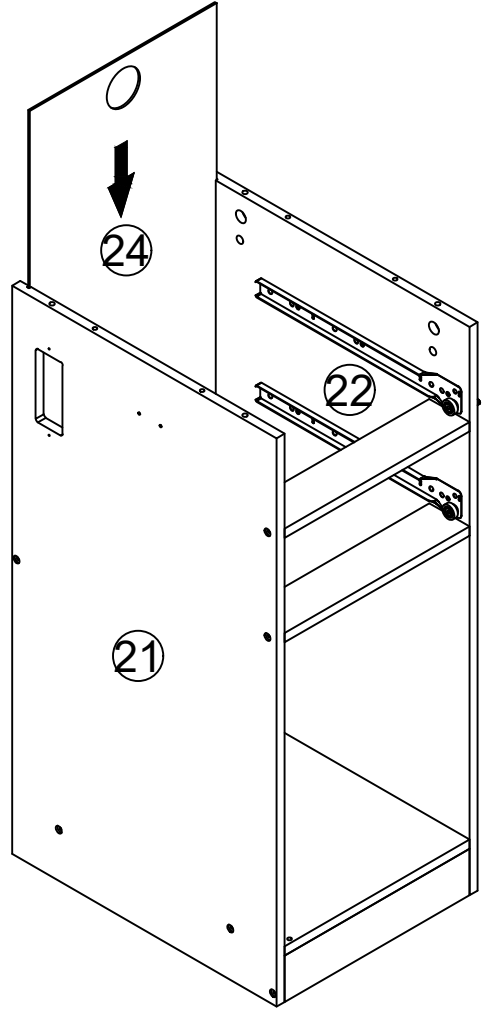
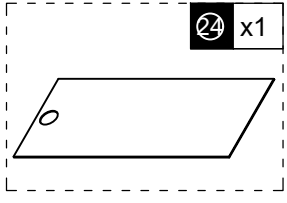
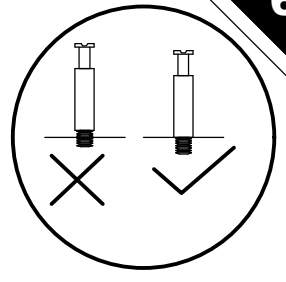
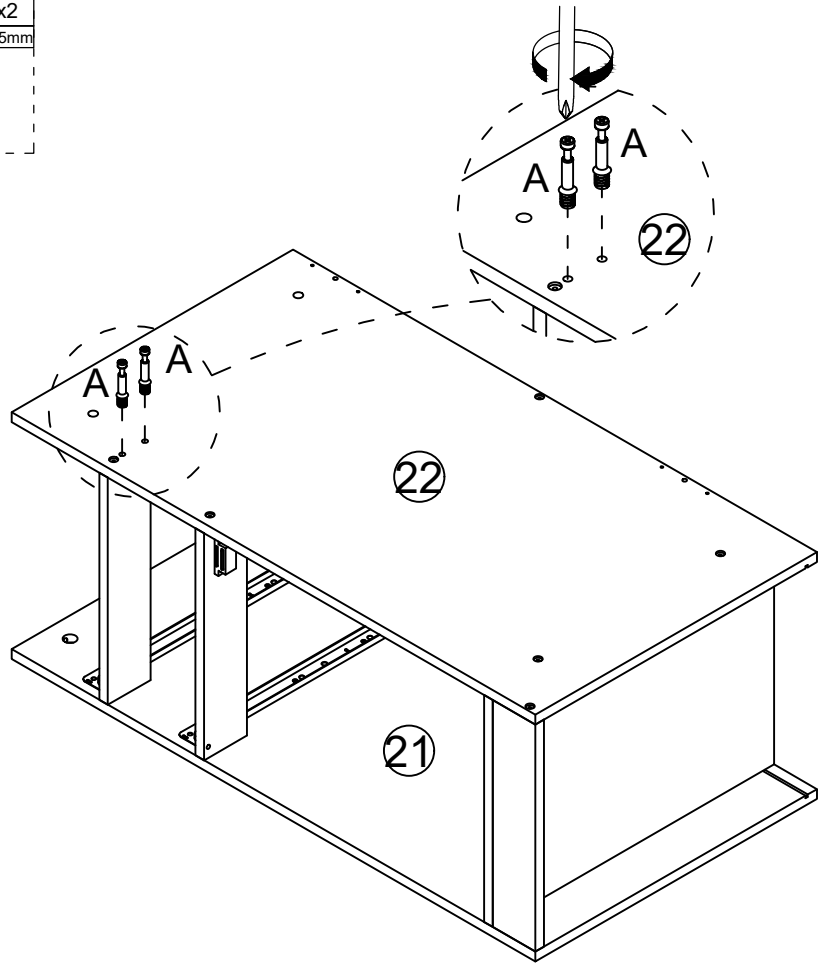
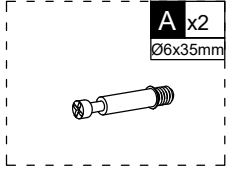


A x44 Ø6x35mm +2(spare)	B x45 Ø15x10mm +2(spare)	C x65 Ø6x30mm +3(spare)	D x53 Ø4x35mm +3(spare)	E x36 Ø3x12mm +2(spare)	F x5
G x1	H x28 +2(spare)	I x2 Ø3x14mm	J x1	K x2 Ø3x12mm	L x34 +2(spare)
M x2 Ø6x30mm	N x2	O x2	P x24 Ø3.5x12mm +2(spare)	Q x2	R x2
S x2	T x2 Ø6x15mm	U x4	V x1	W x1	X x1
Y x1	Z x2	AA x8	BB x4	CC x1	DD x1
CL x3 L300mm	CR x3 L300mm	DL x3 L300mm	DR x3 L300mm		

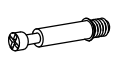








A x4
Ø6x35mm



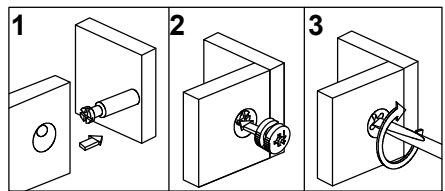
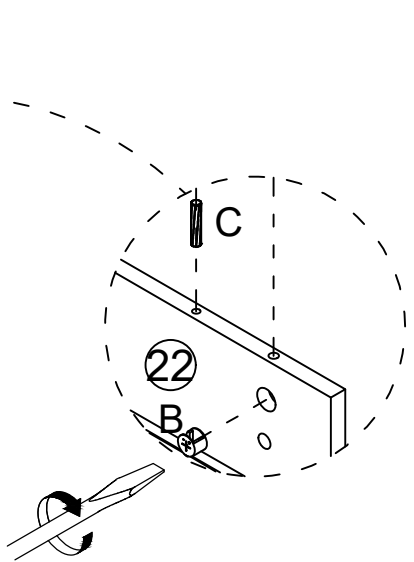
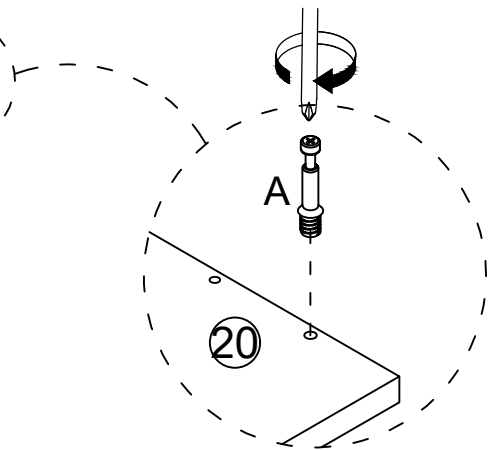
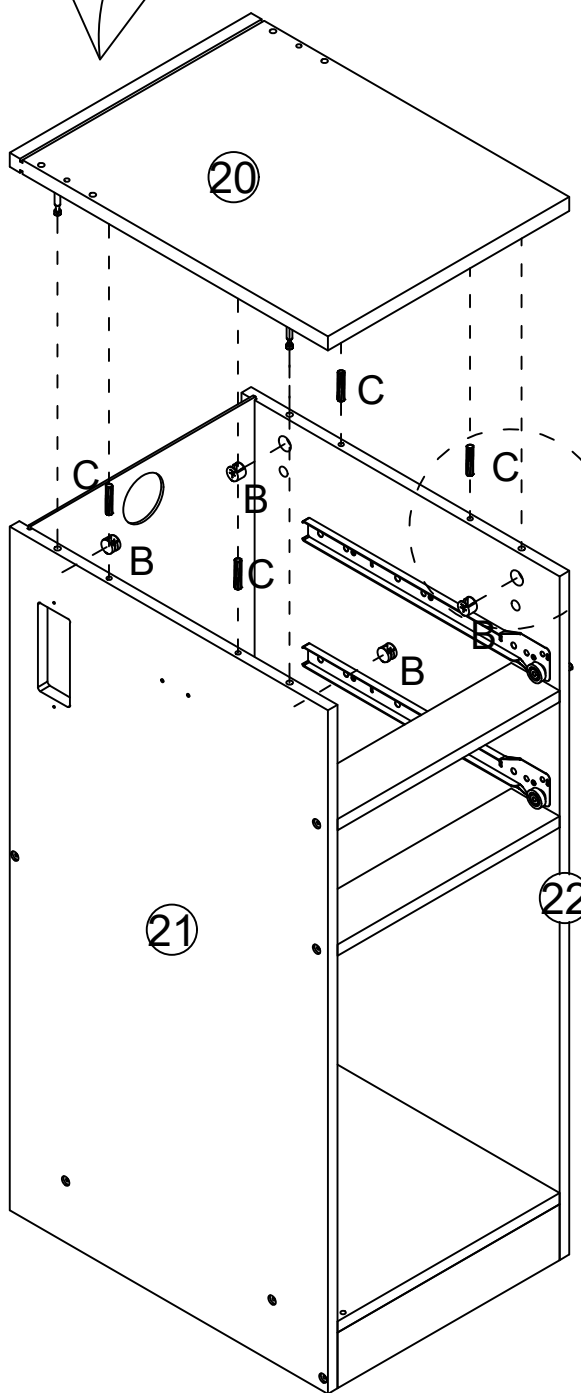
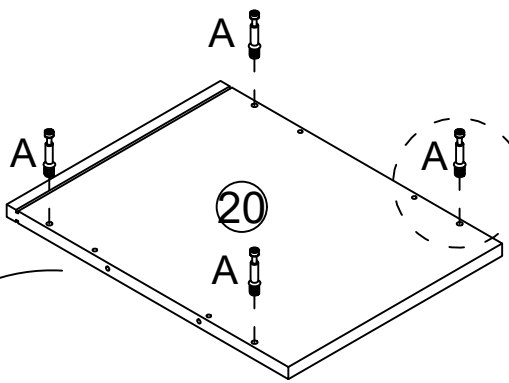
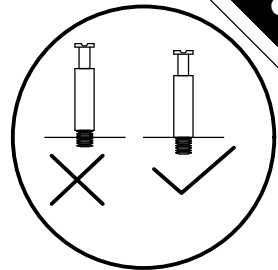
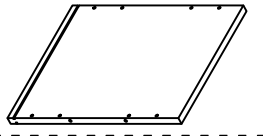
B x4
Ø15x10mm

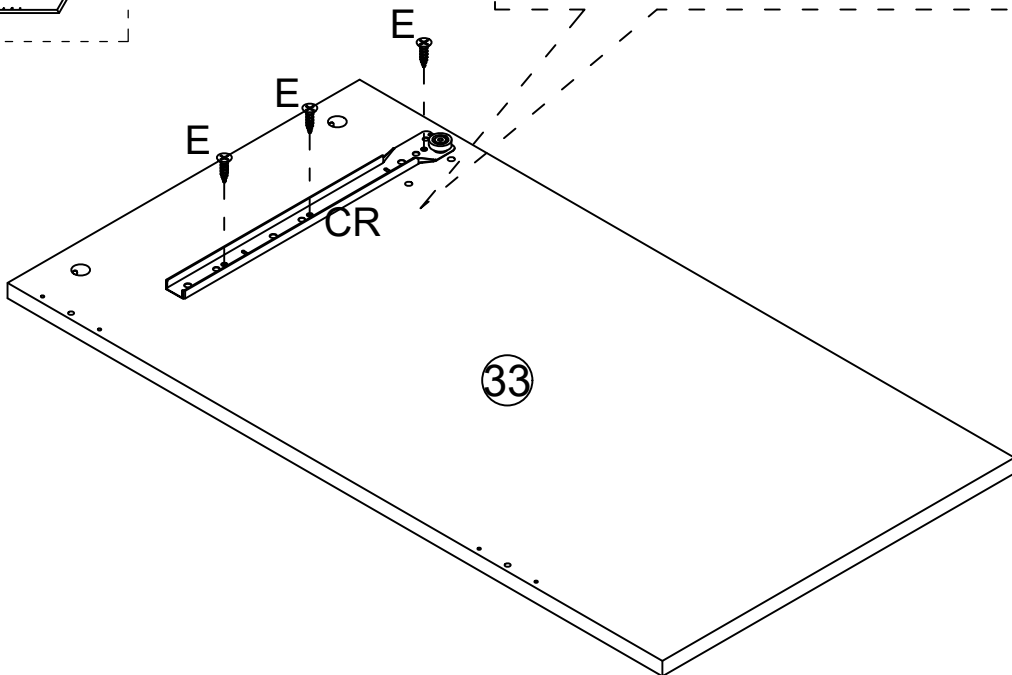
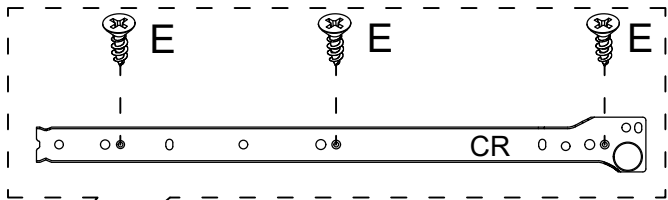
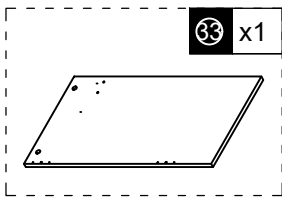
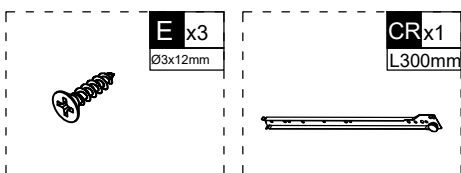
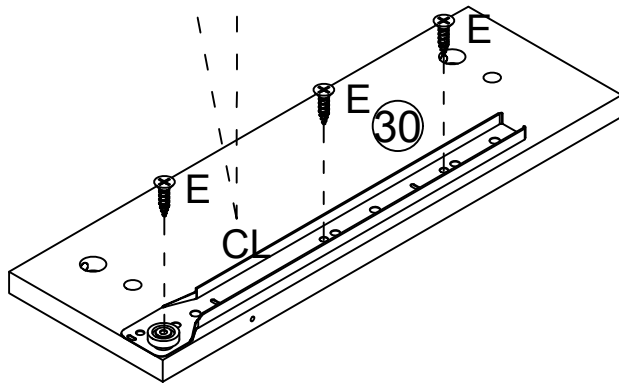
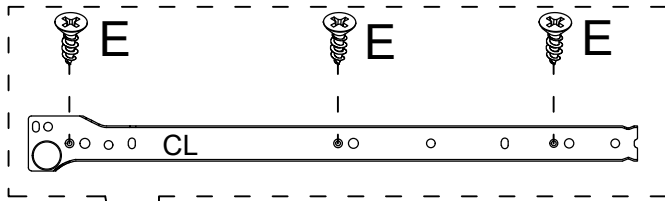
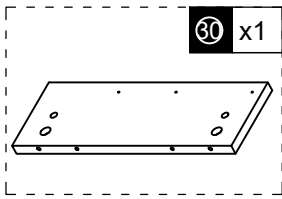
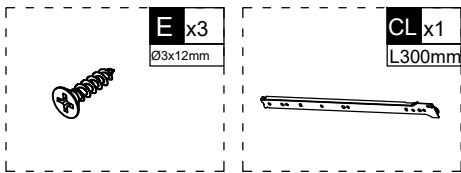


C x4
Ø6x30mm

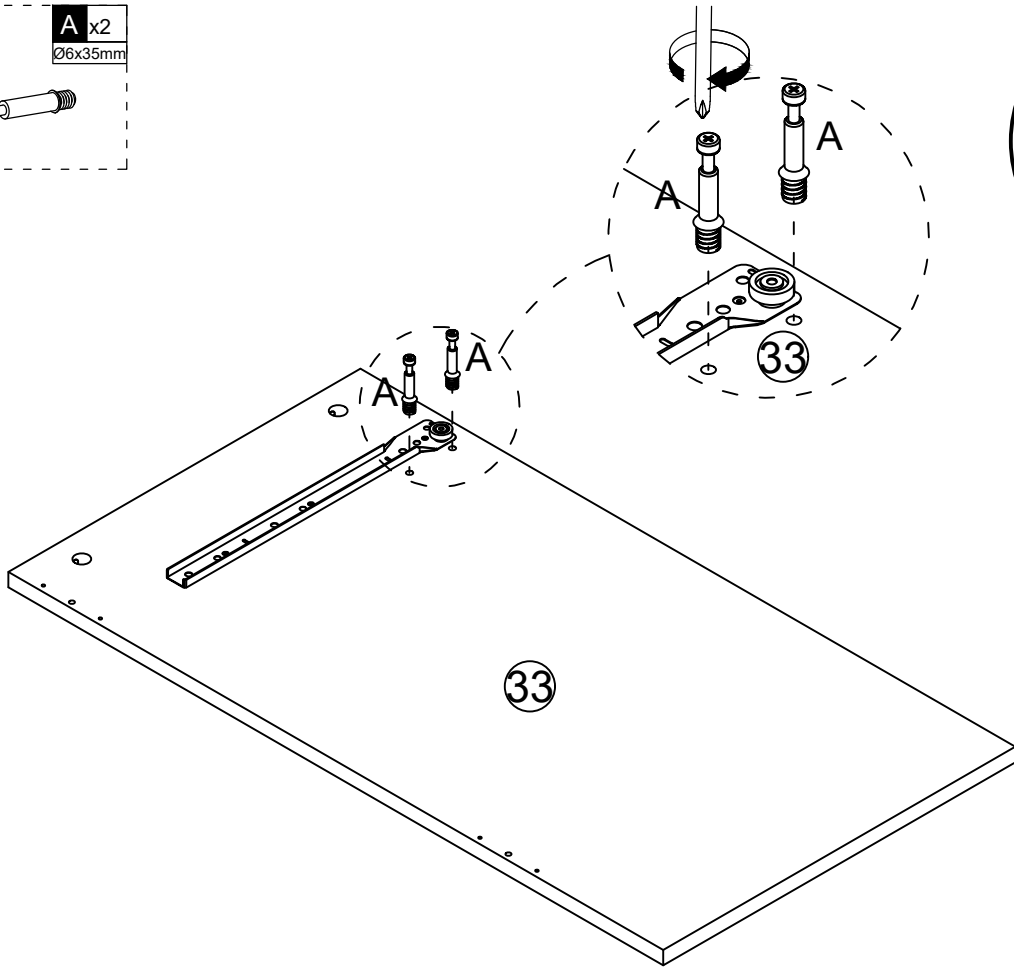
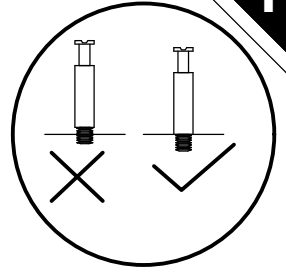
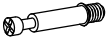


20 x1

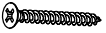




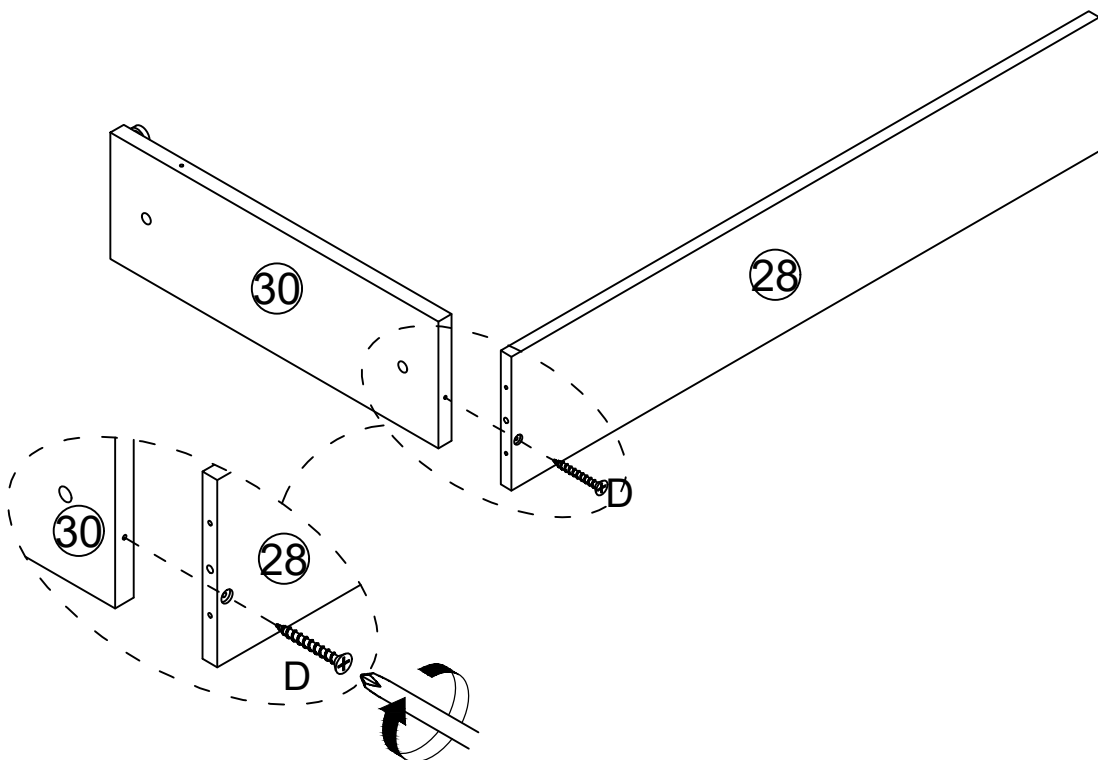
A x2
Ø6x35mm

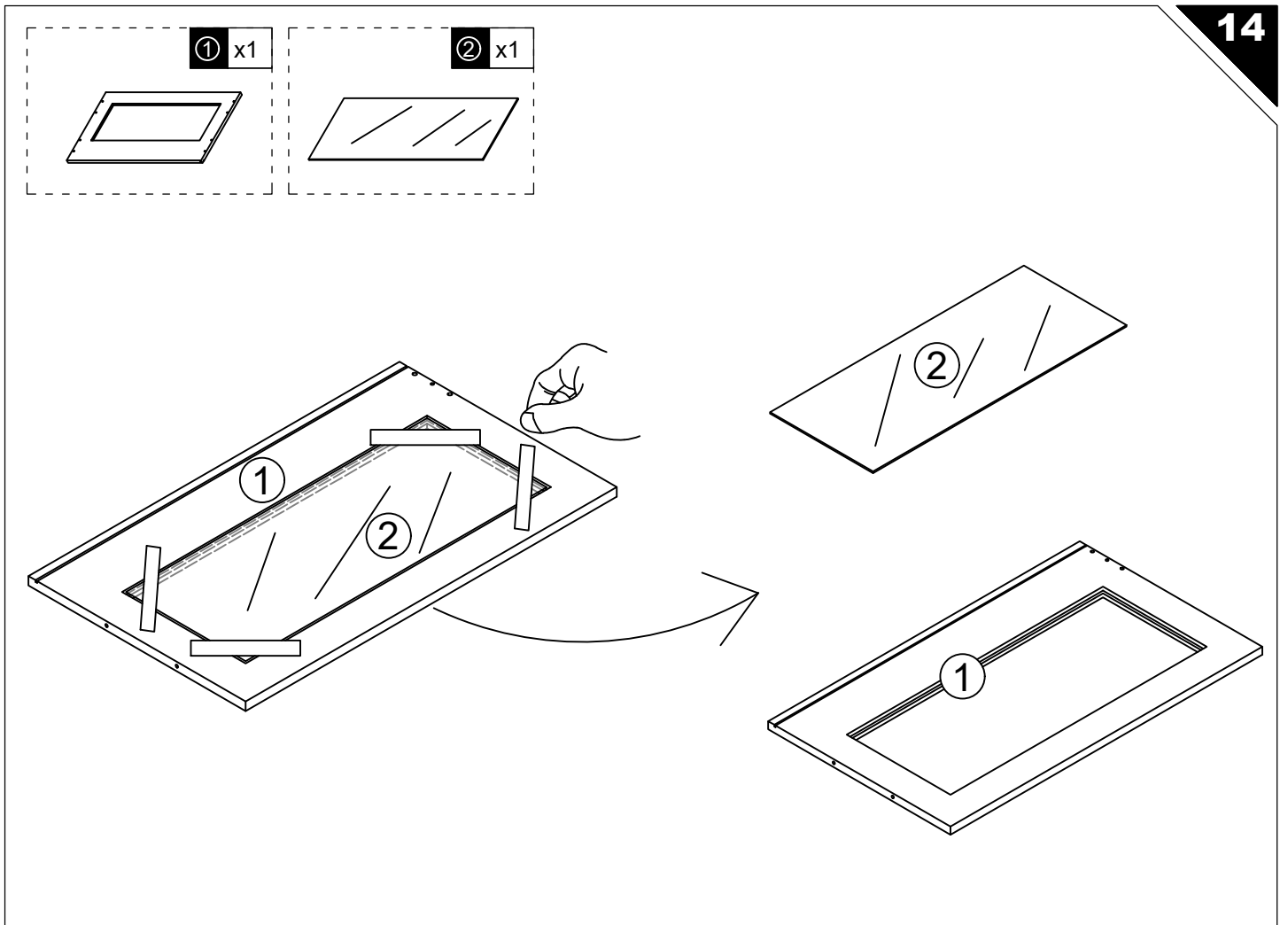
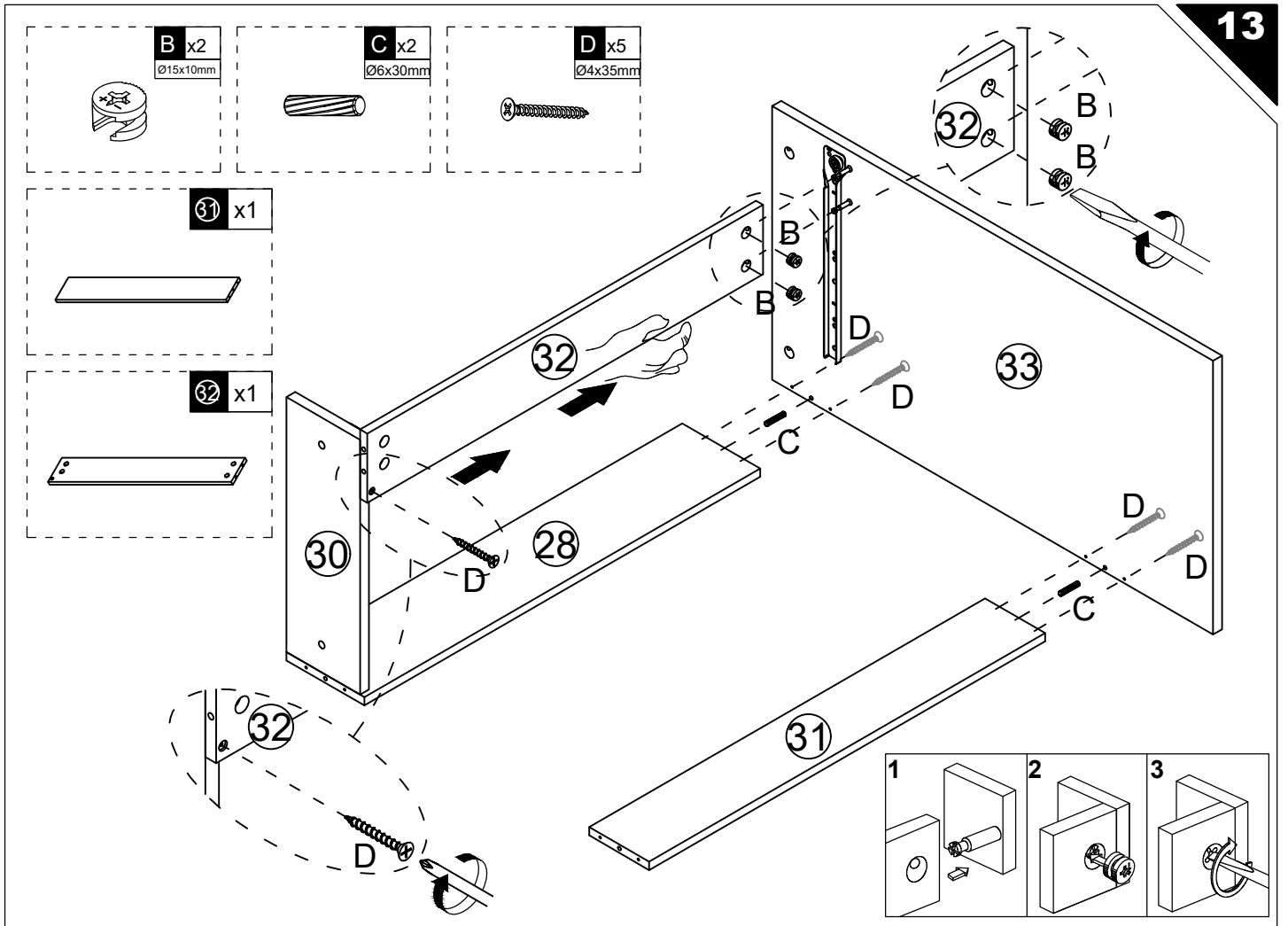


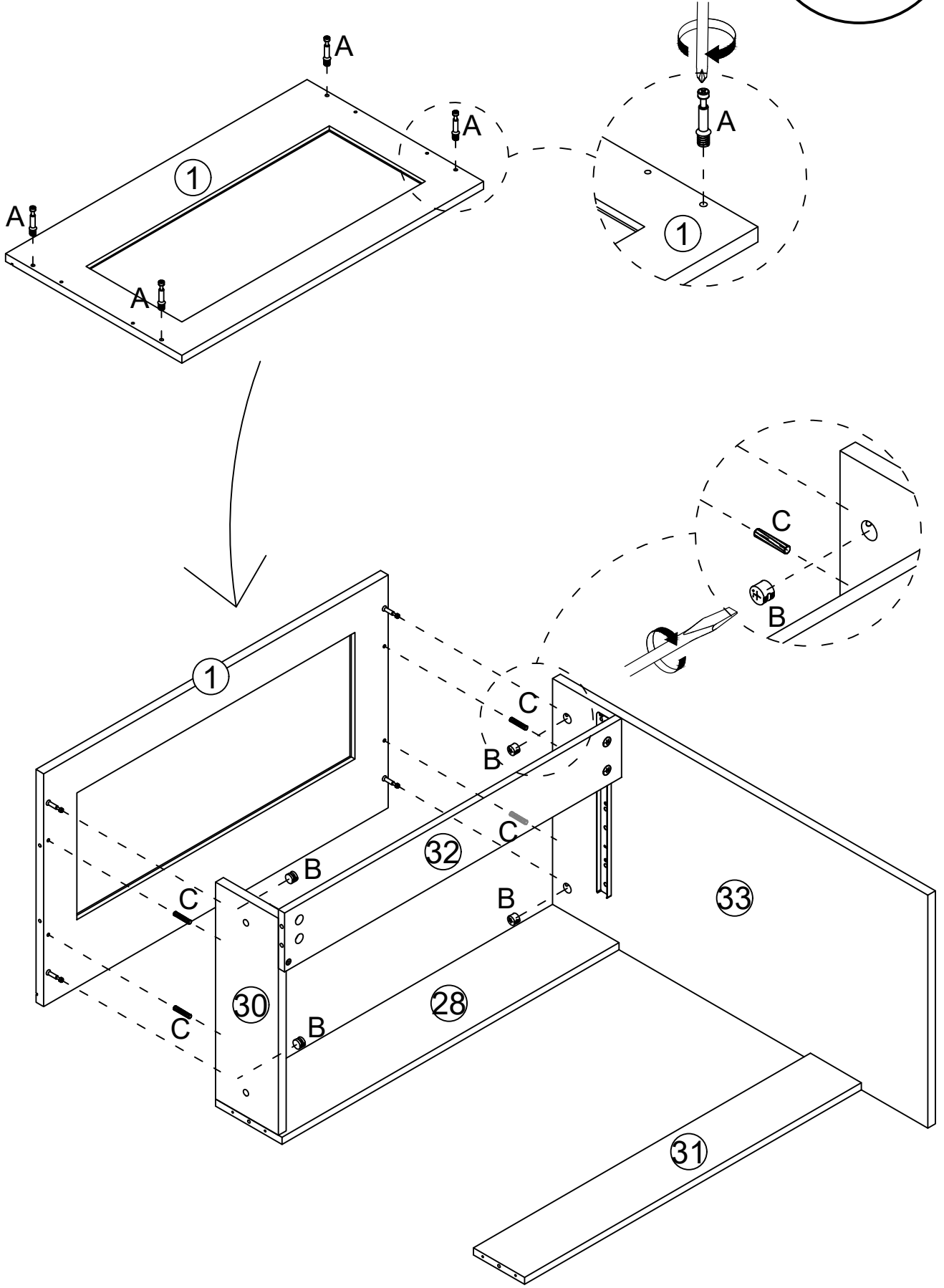
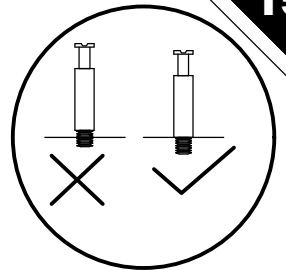
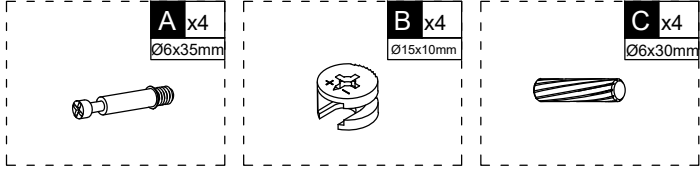
D x1
Ø4x35mm

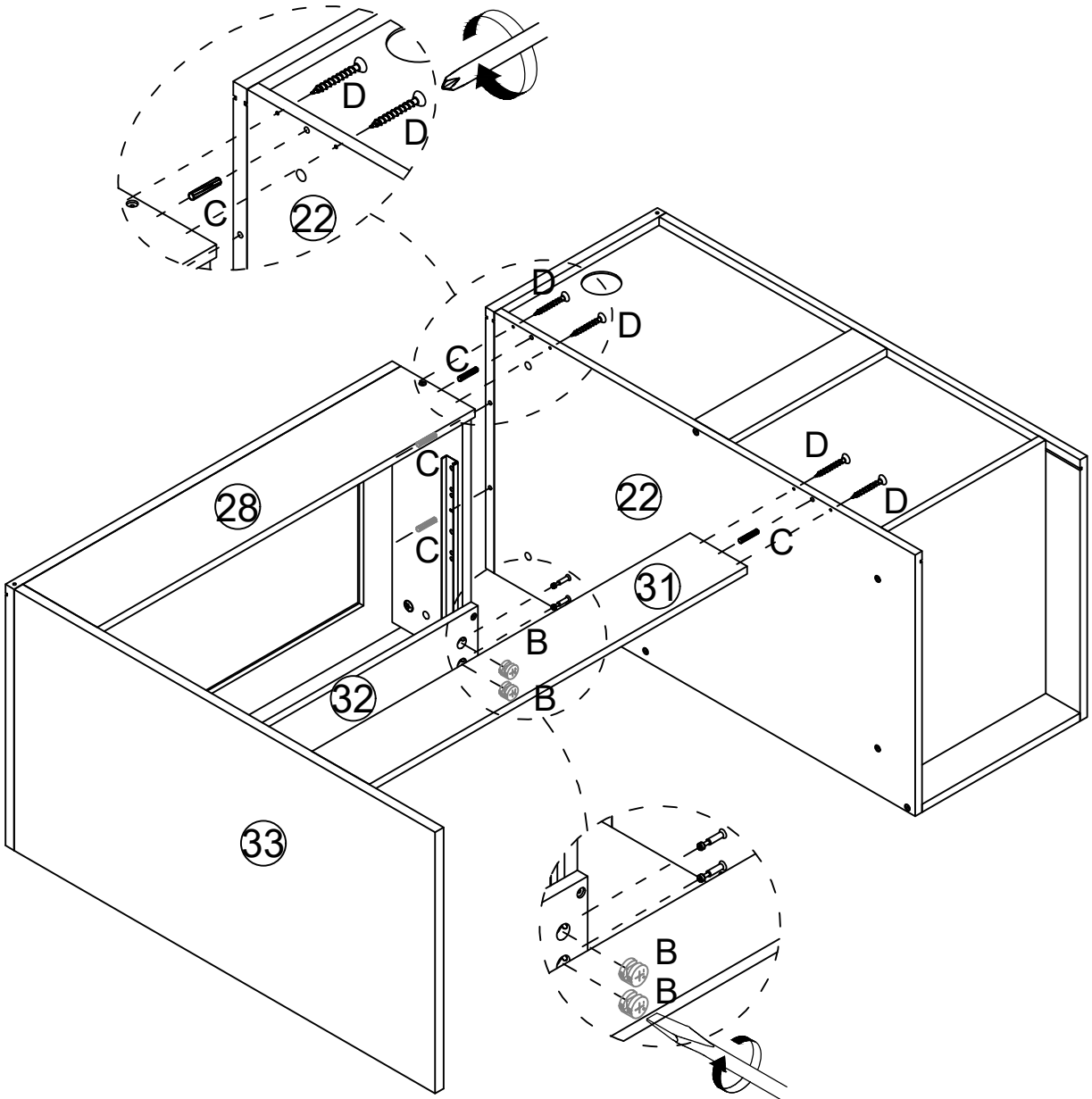
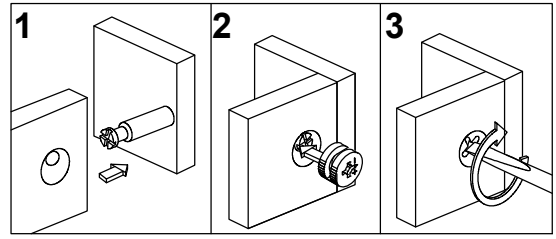
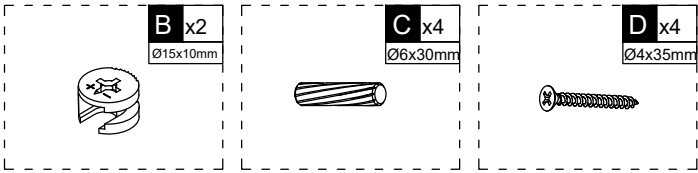


28 x1





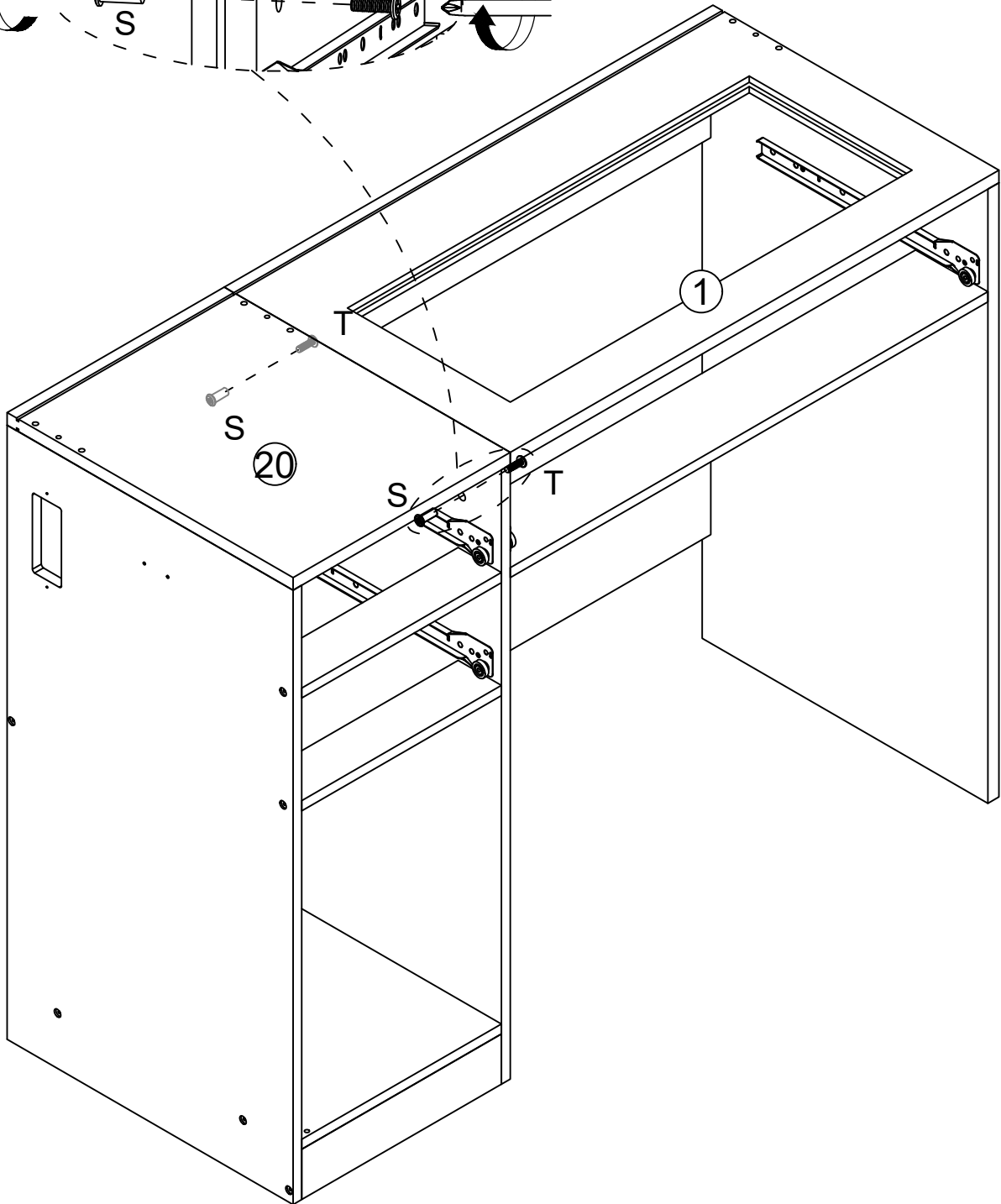
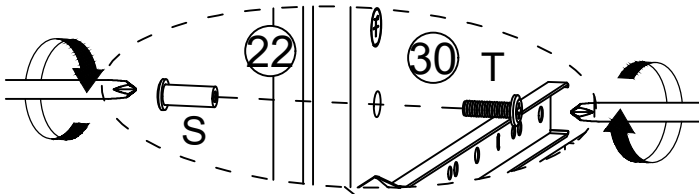


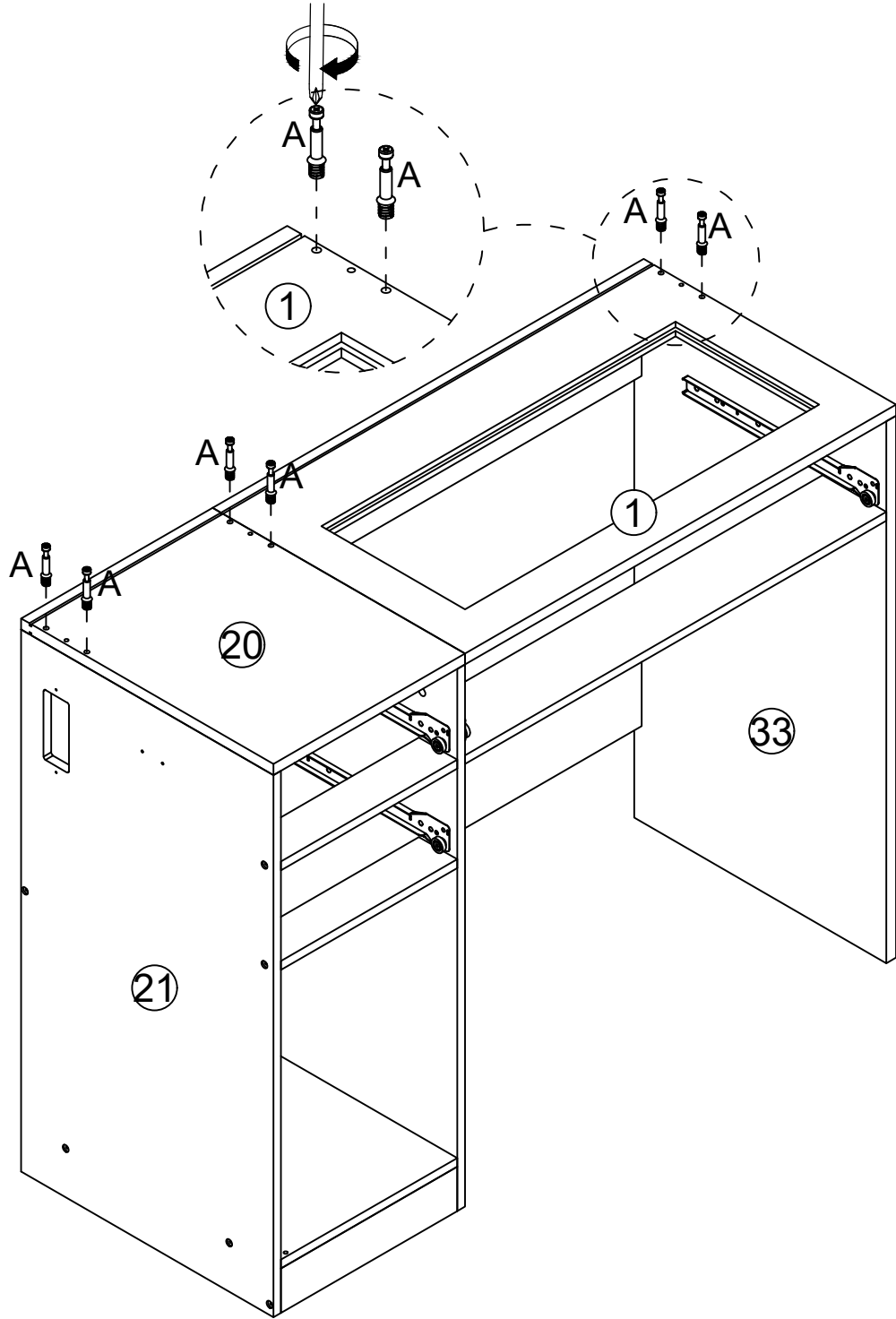
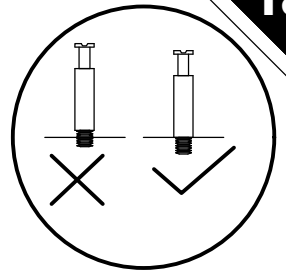
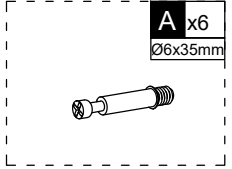


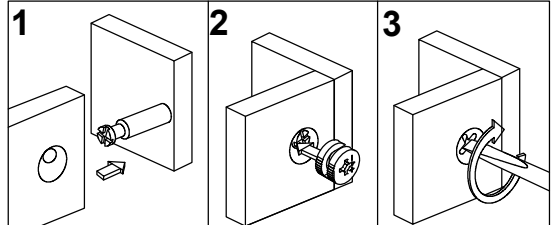
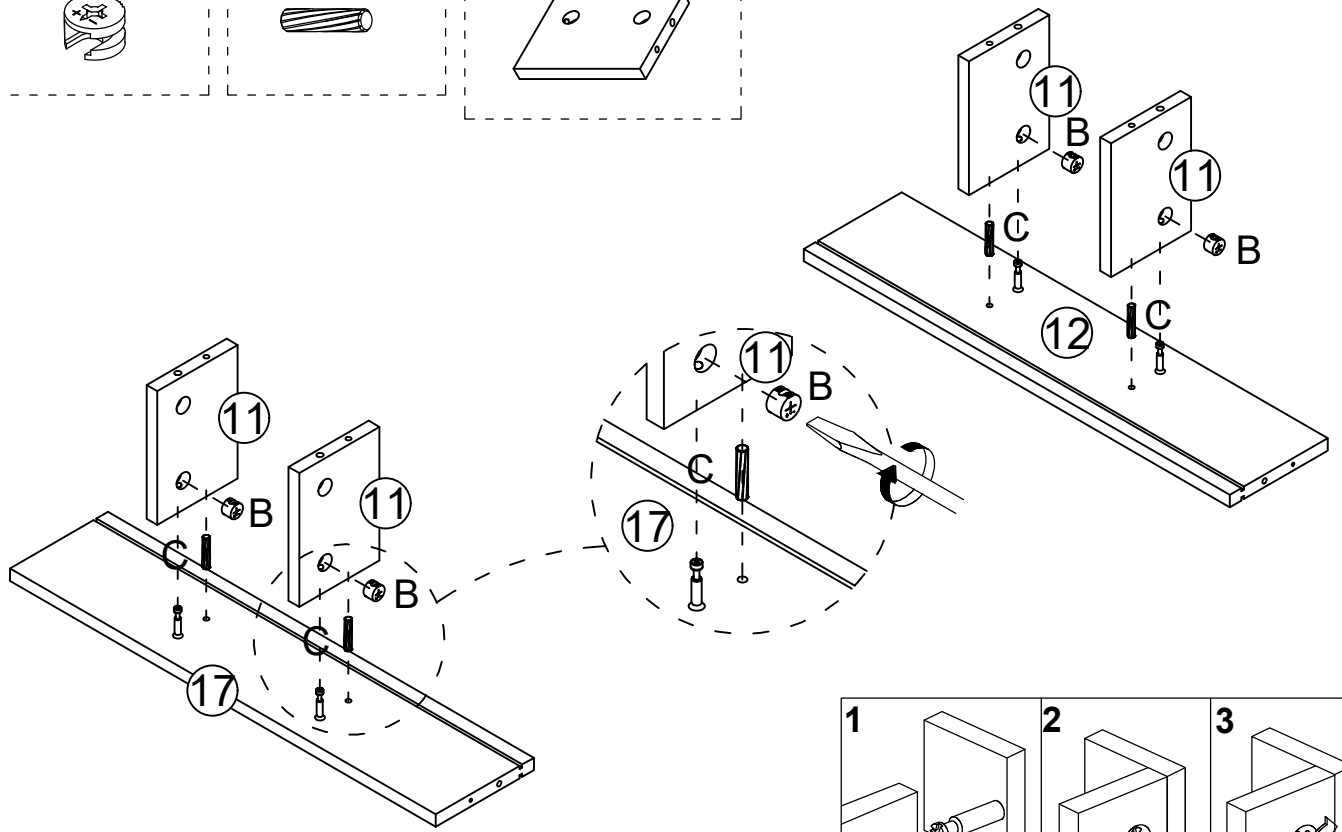
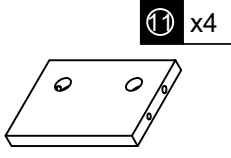
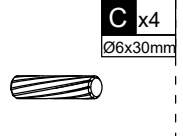
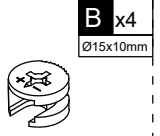
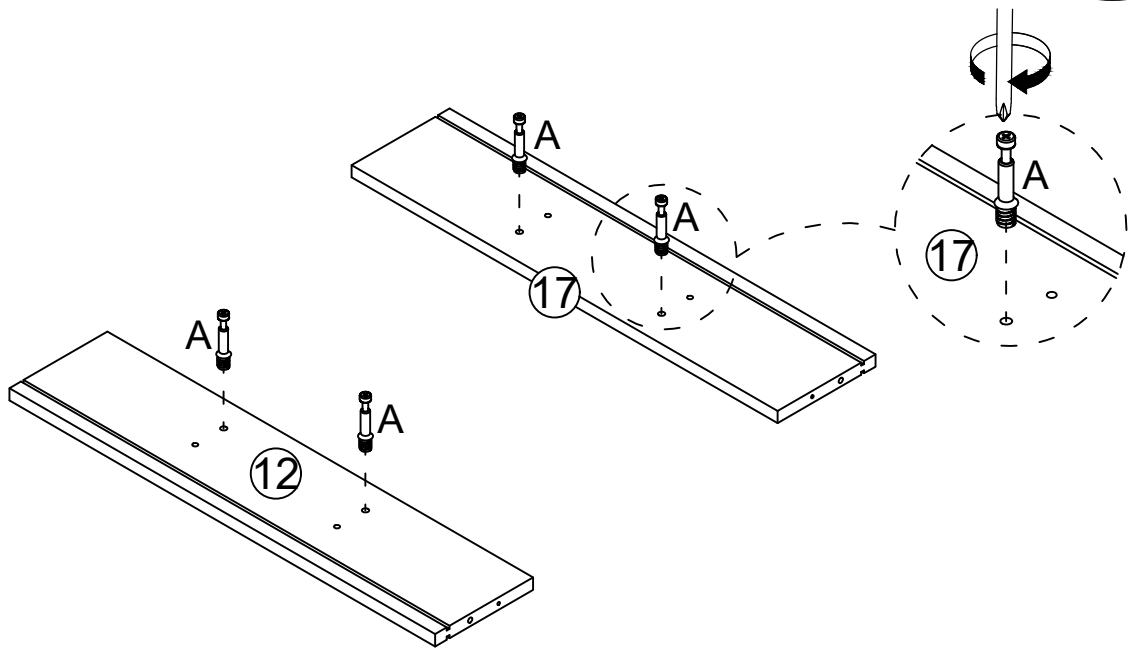
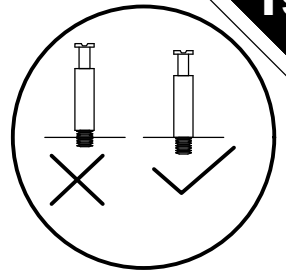
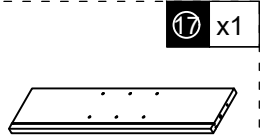
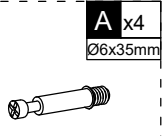
S x2

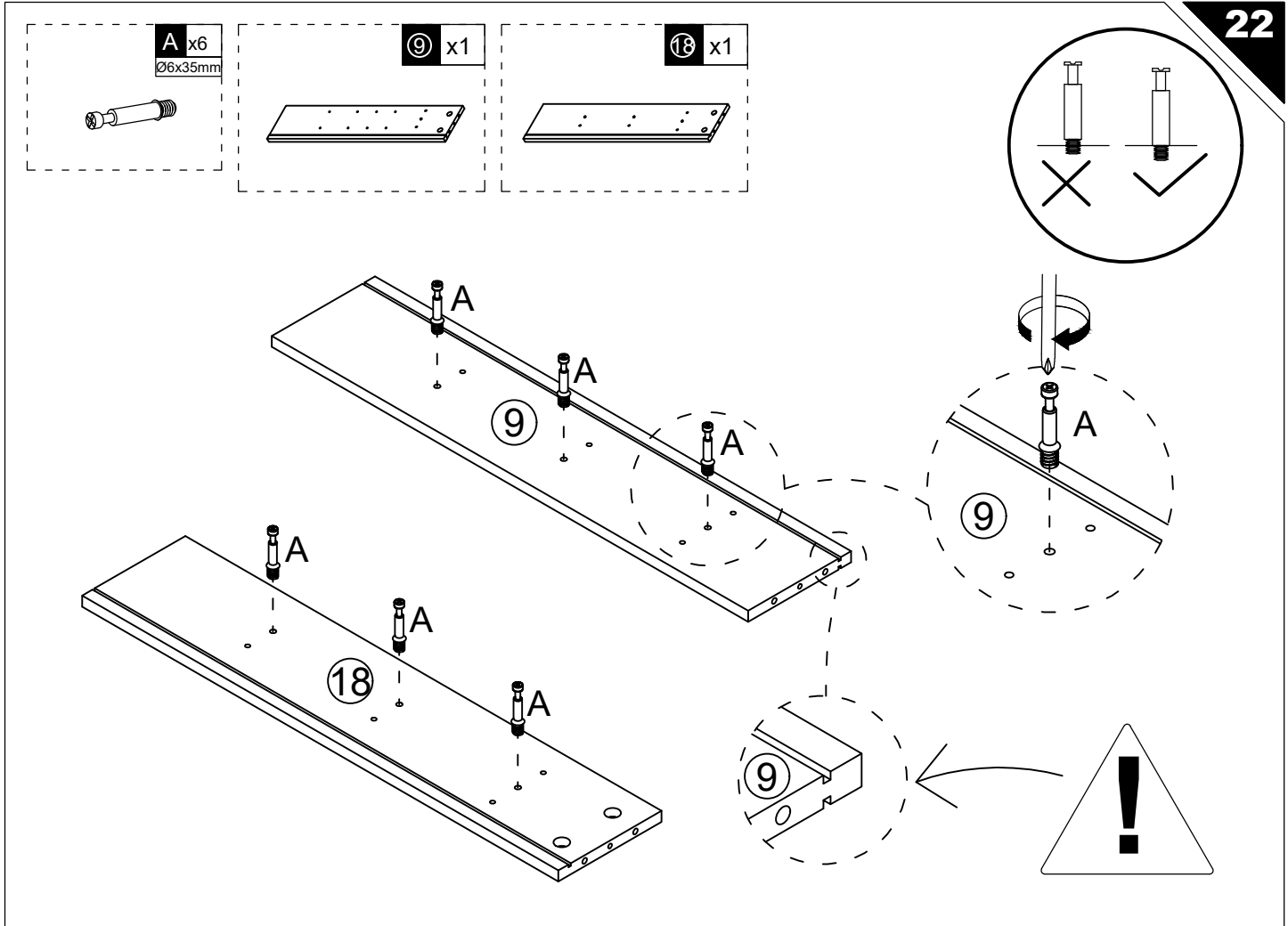
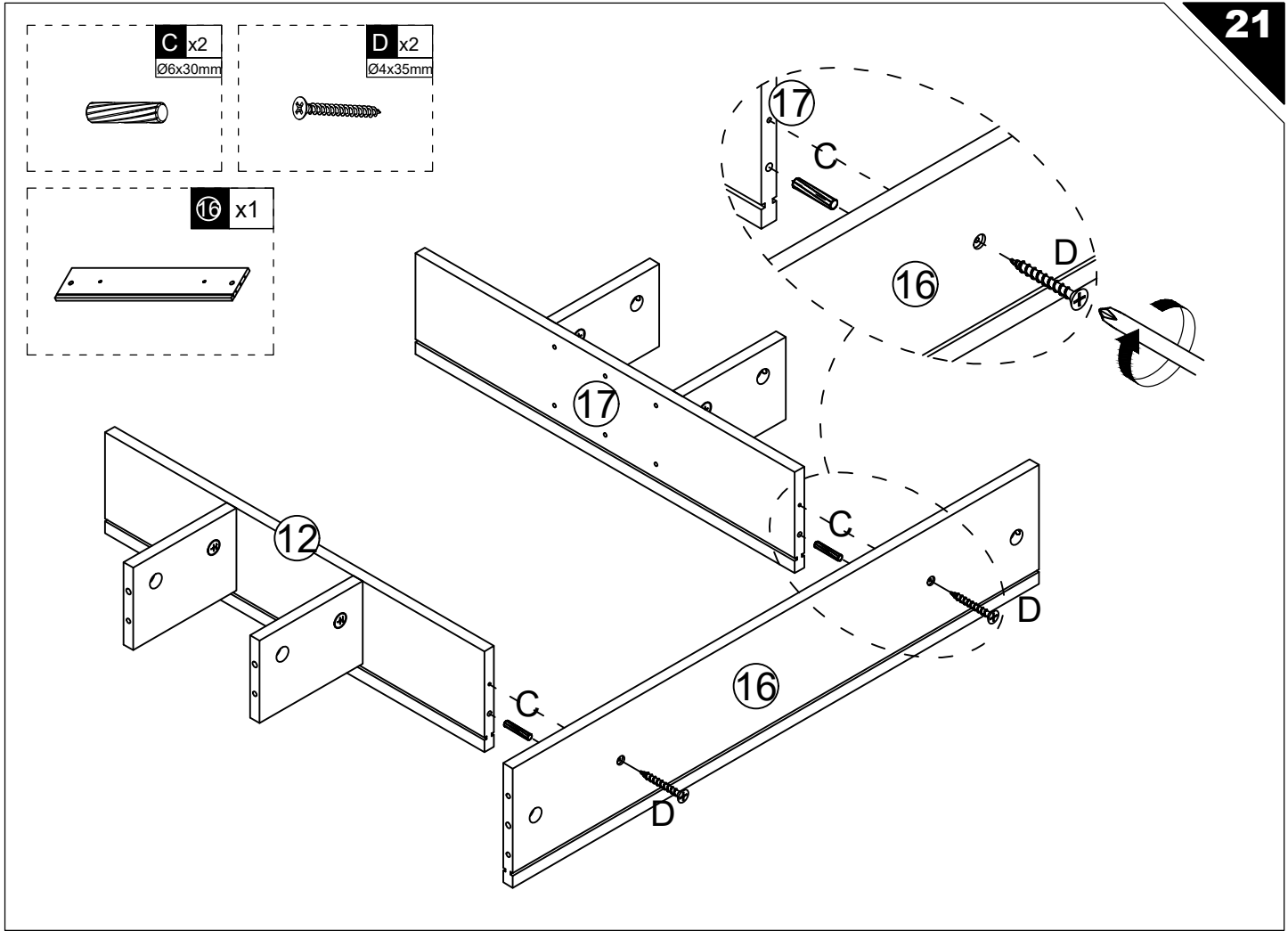


T x2





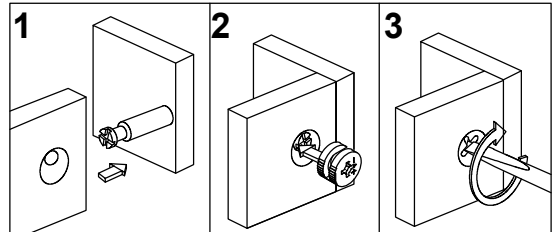
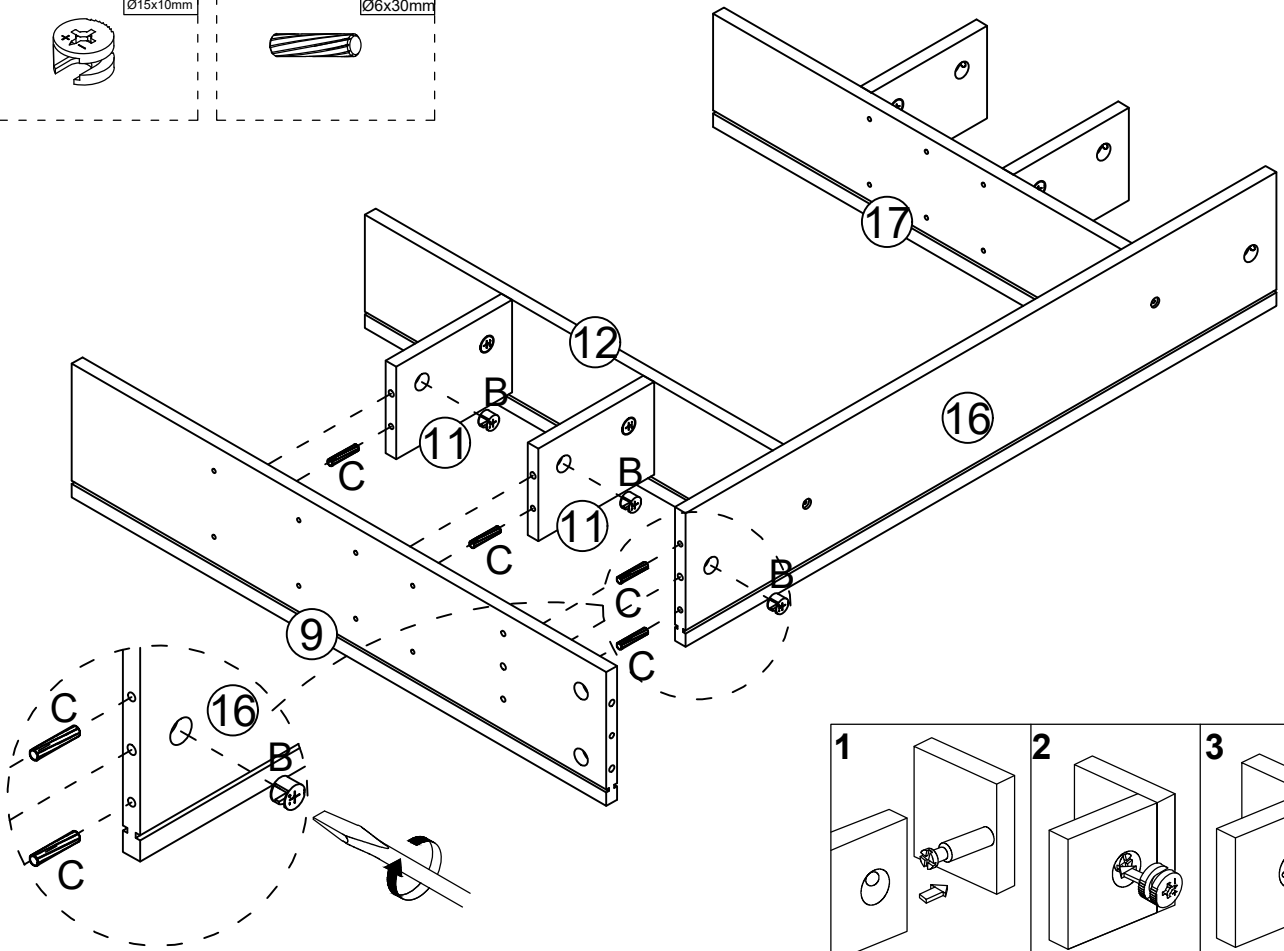




B x3
Ø15x10mm



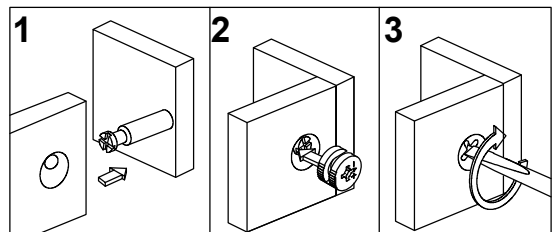
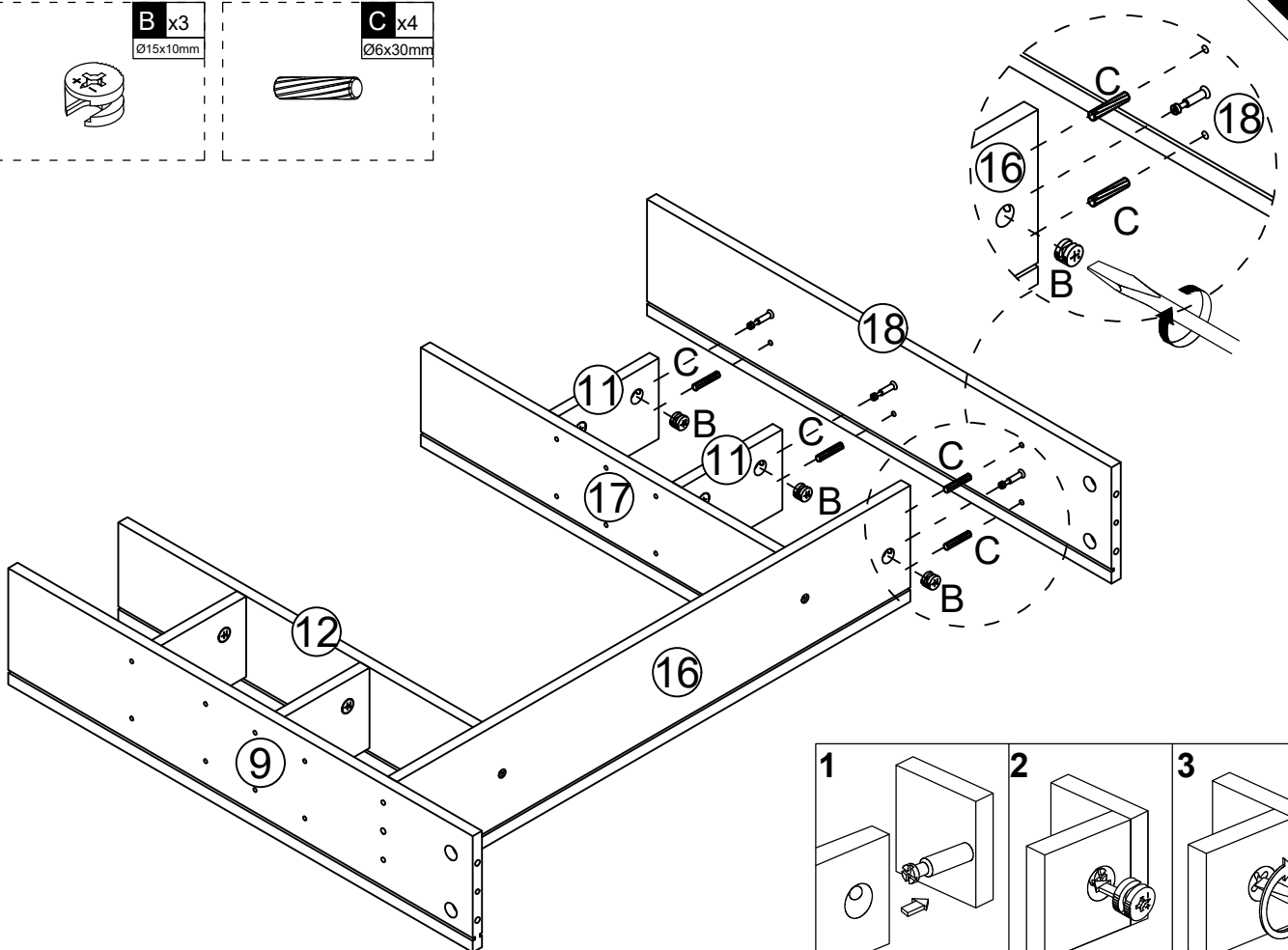
C x4
Ø6x30mm

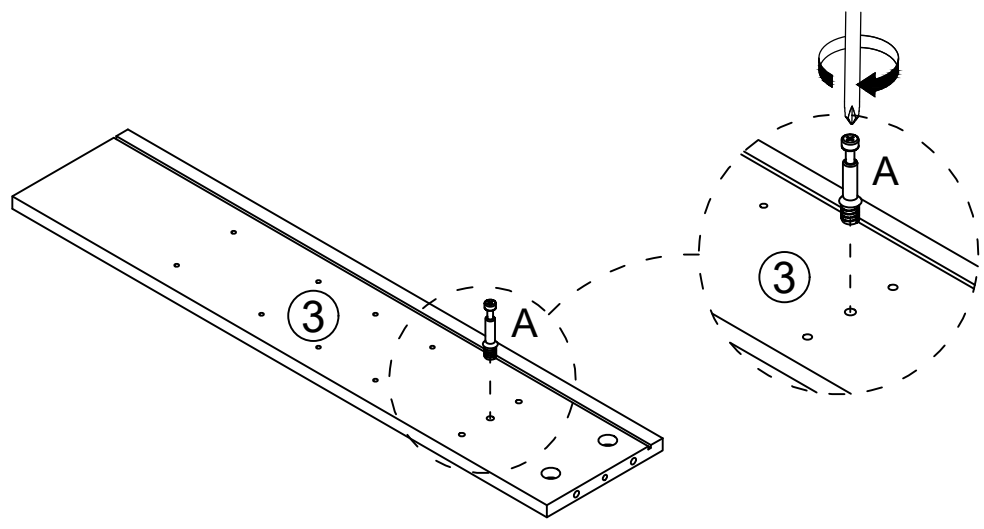
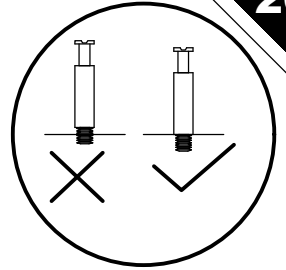
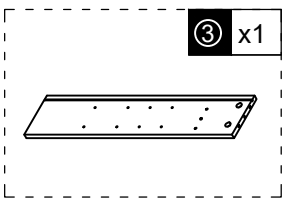
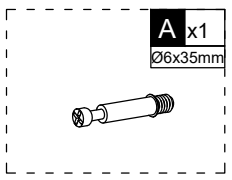
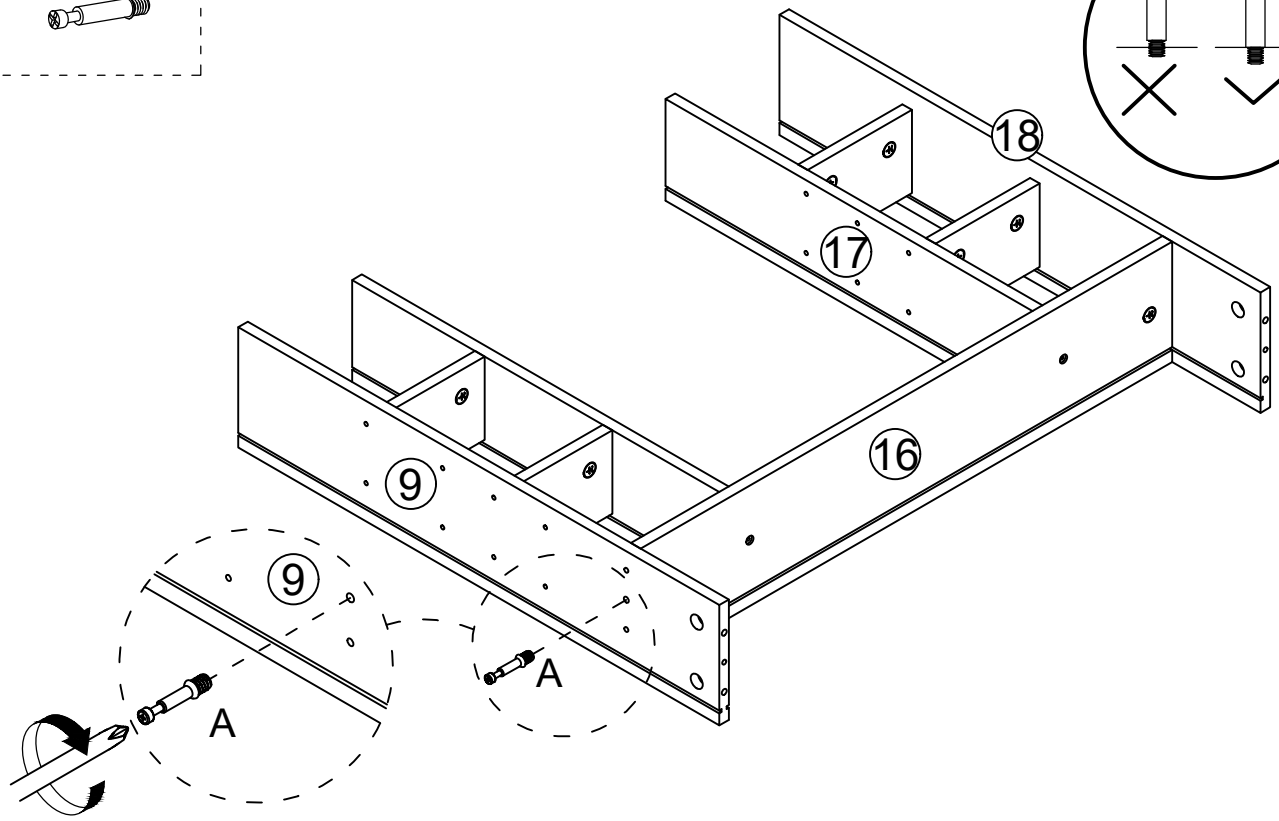
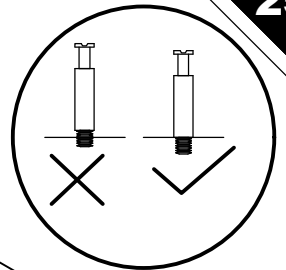
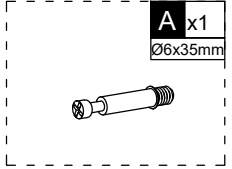


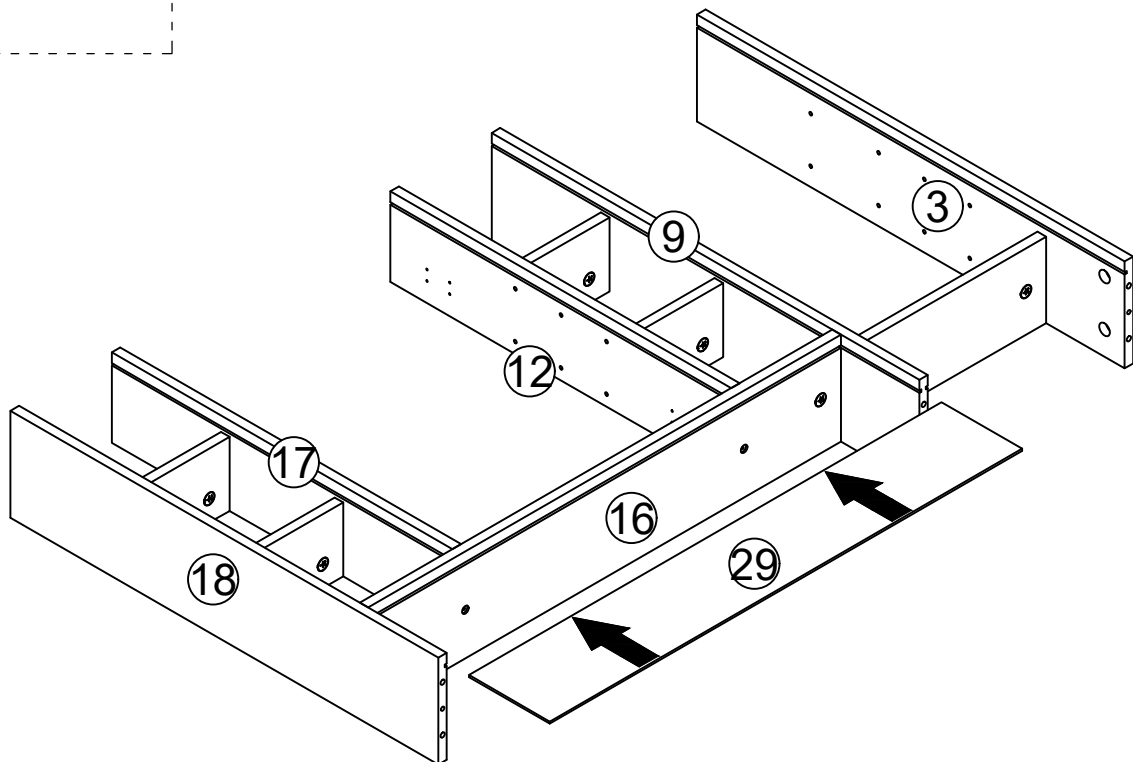
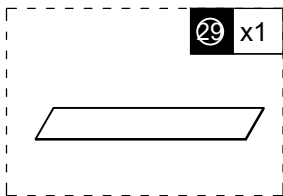
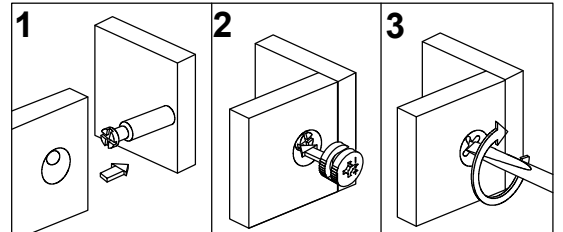
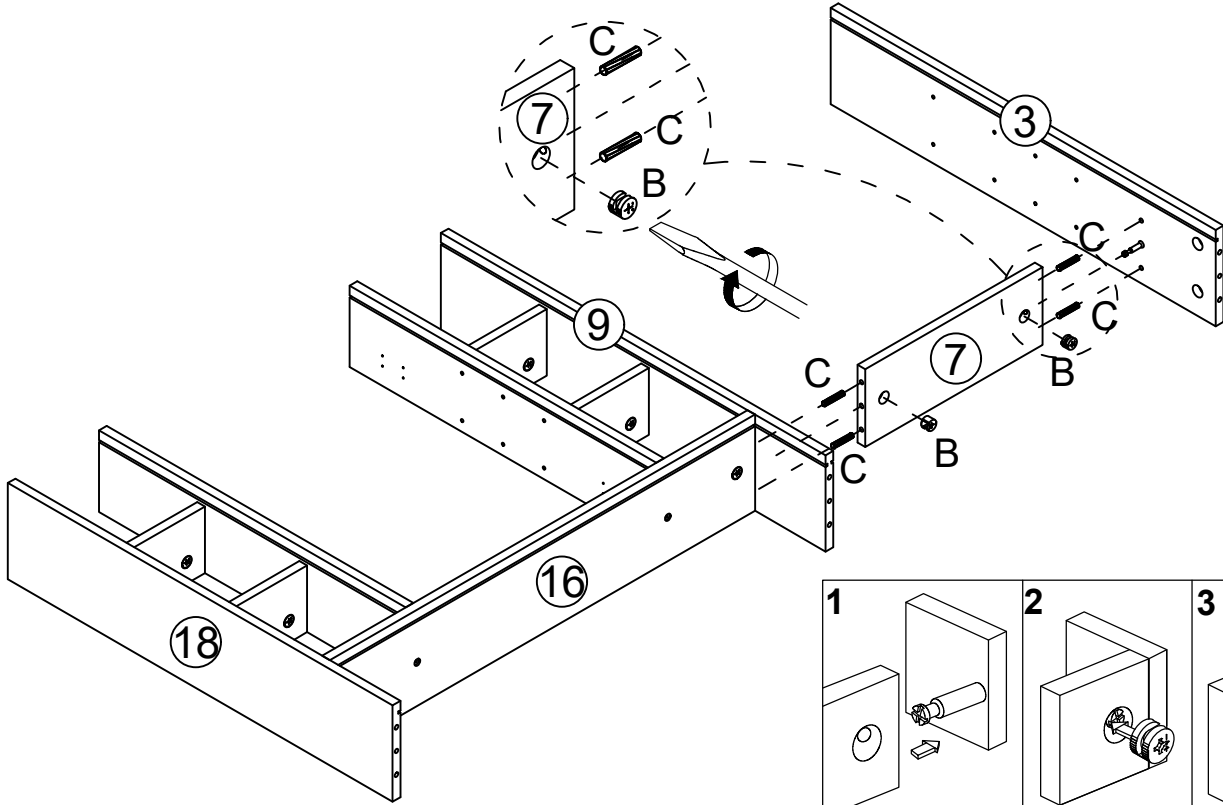
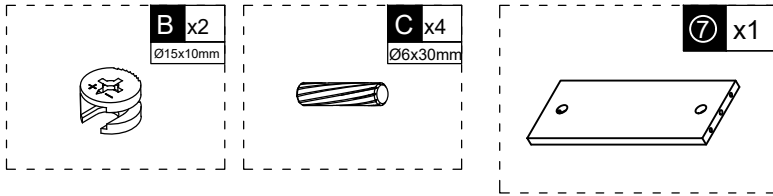
B x3
Ø15x10mm



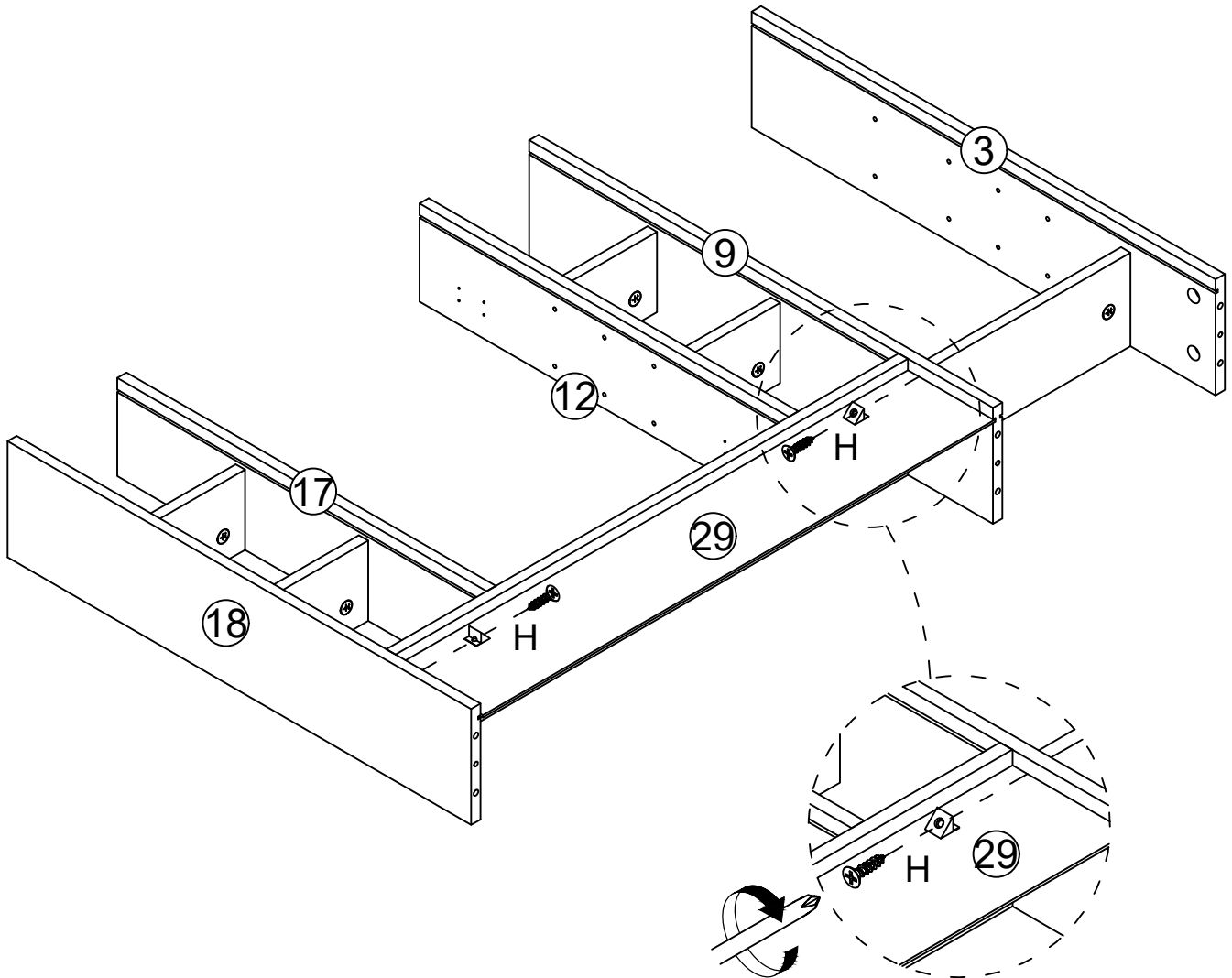
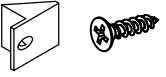
C x4
Ø6x30mm







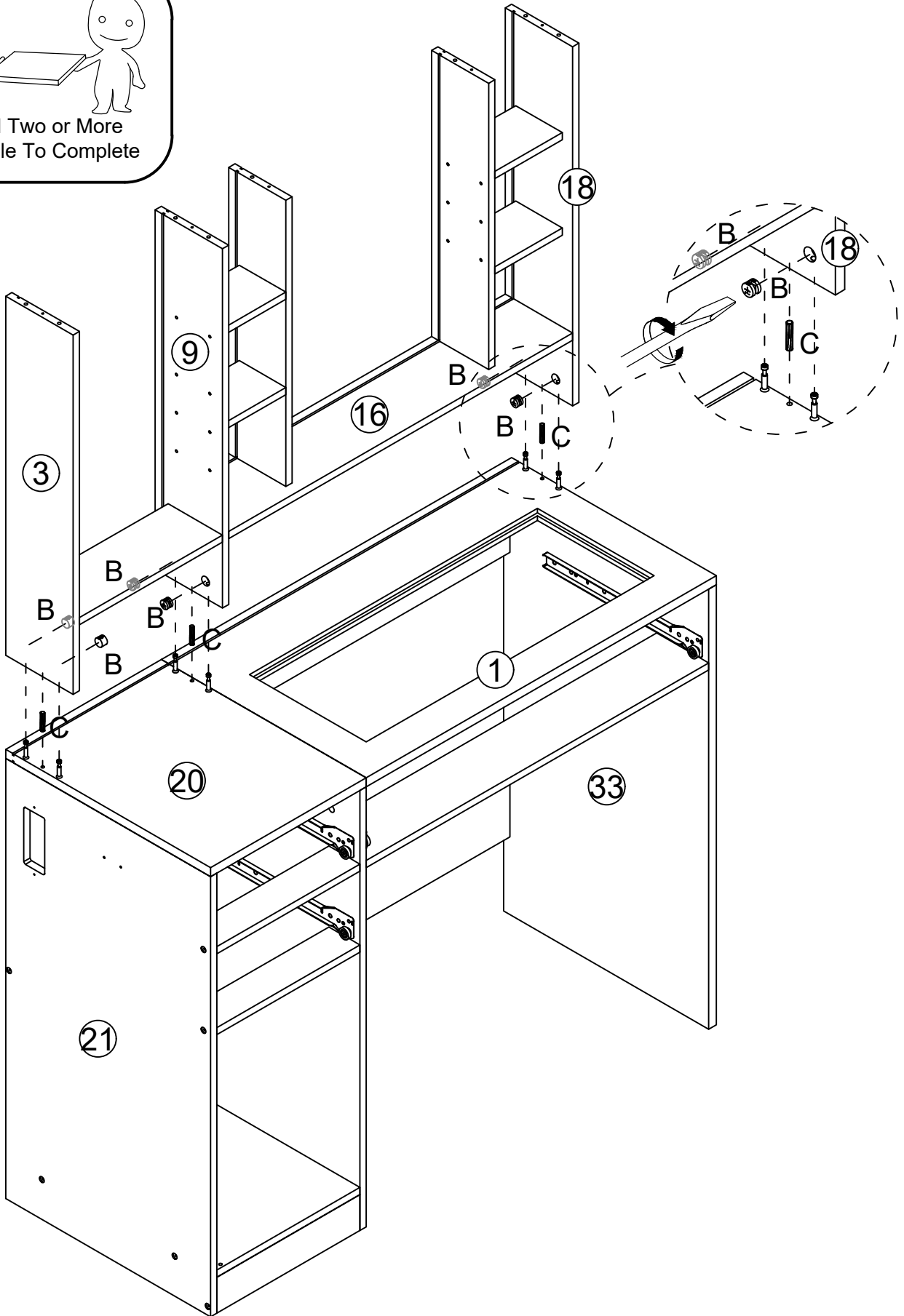
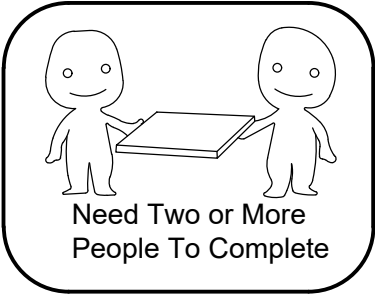
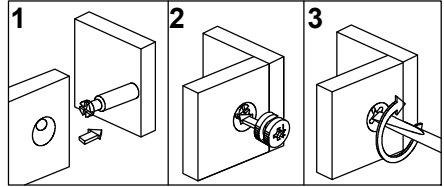
H x2



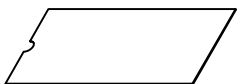
B x6
Ø15x10mm



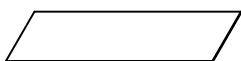
C x3
Ø6x30mm



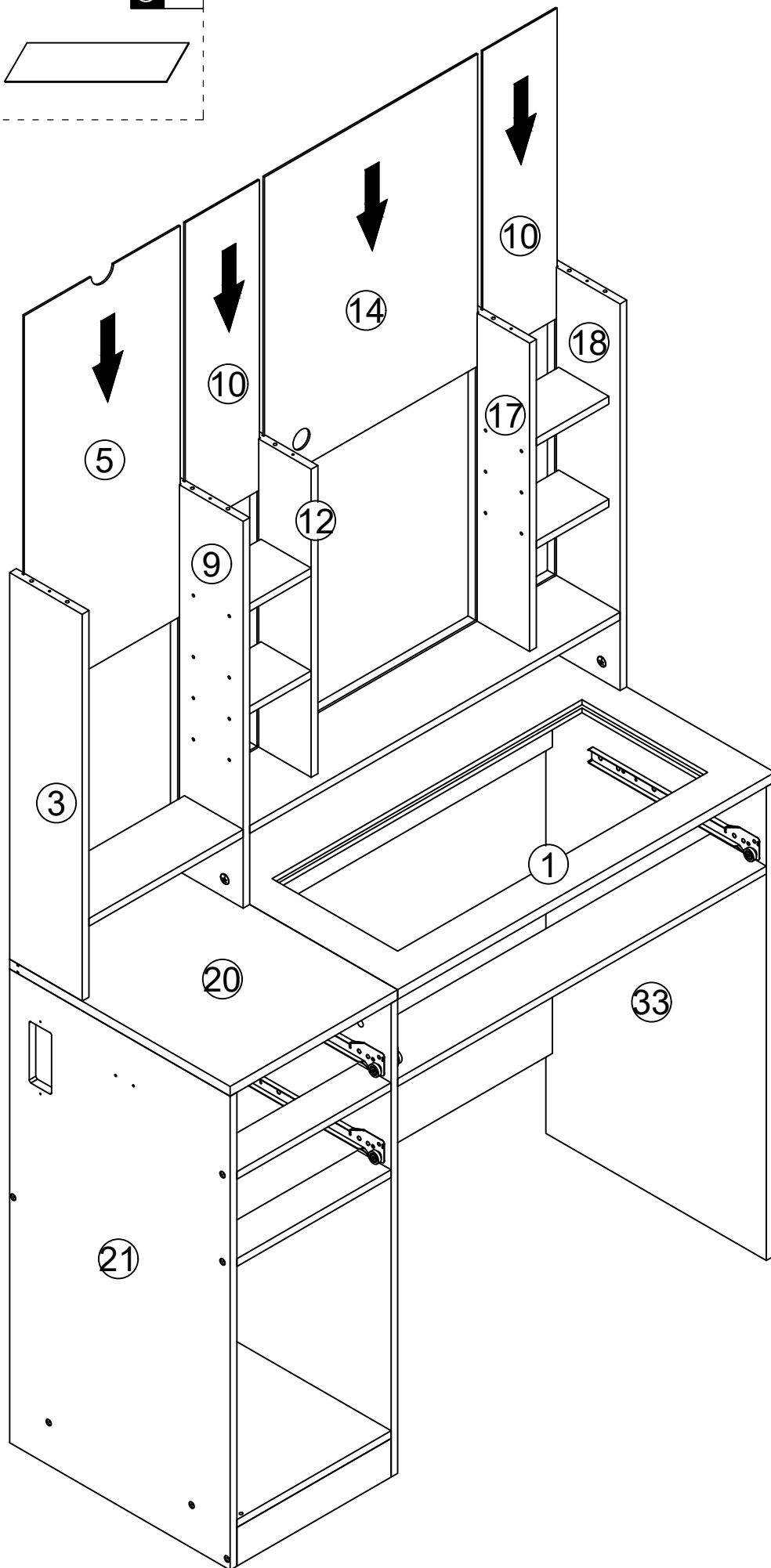
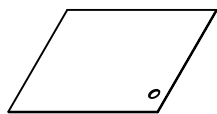
⑤ x1

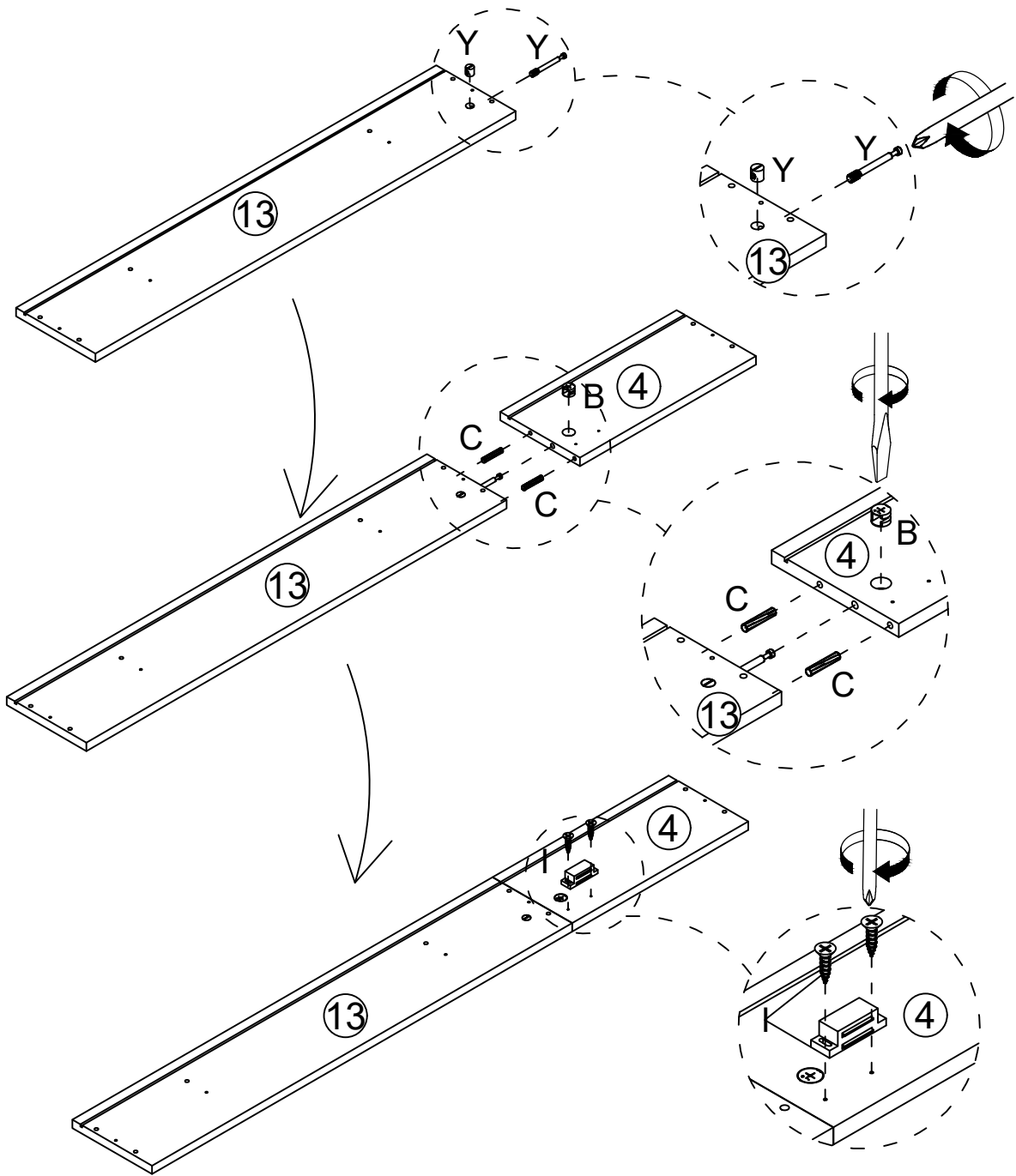
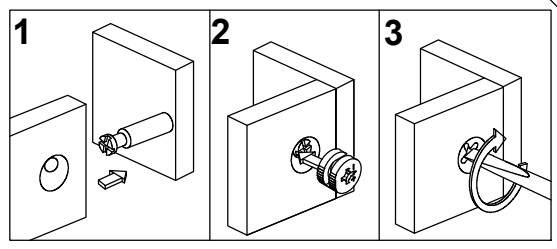
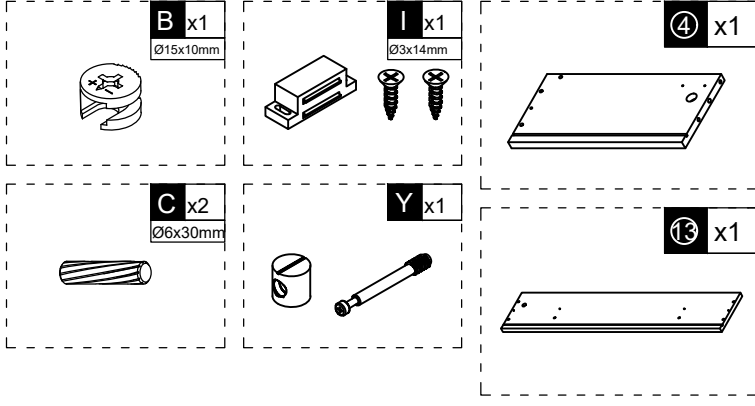


⑩ x2



⑭ x1

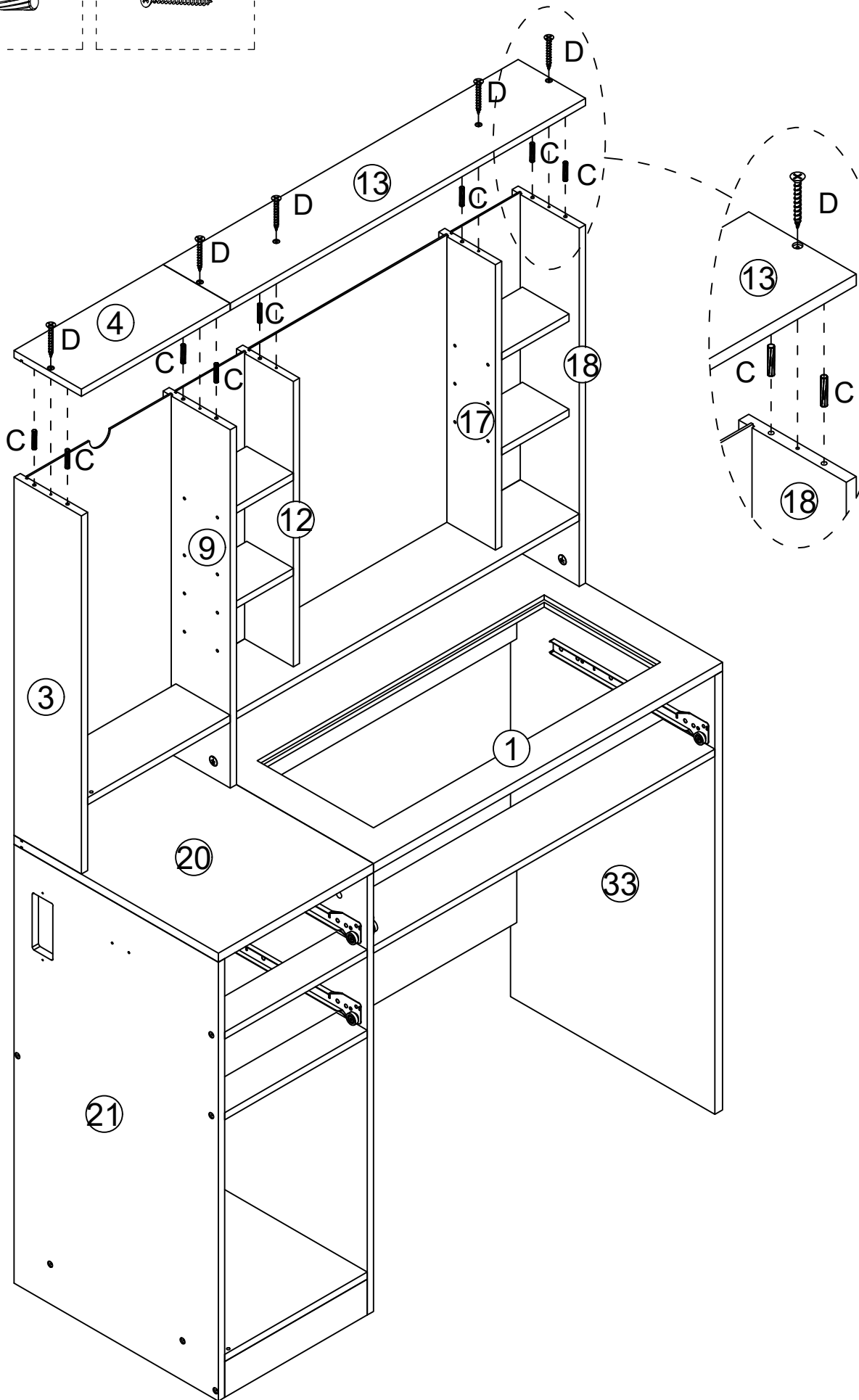
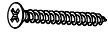


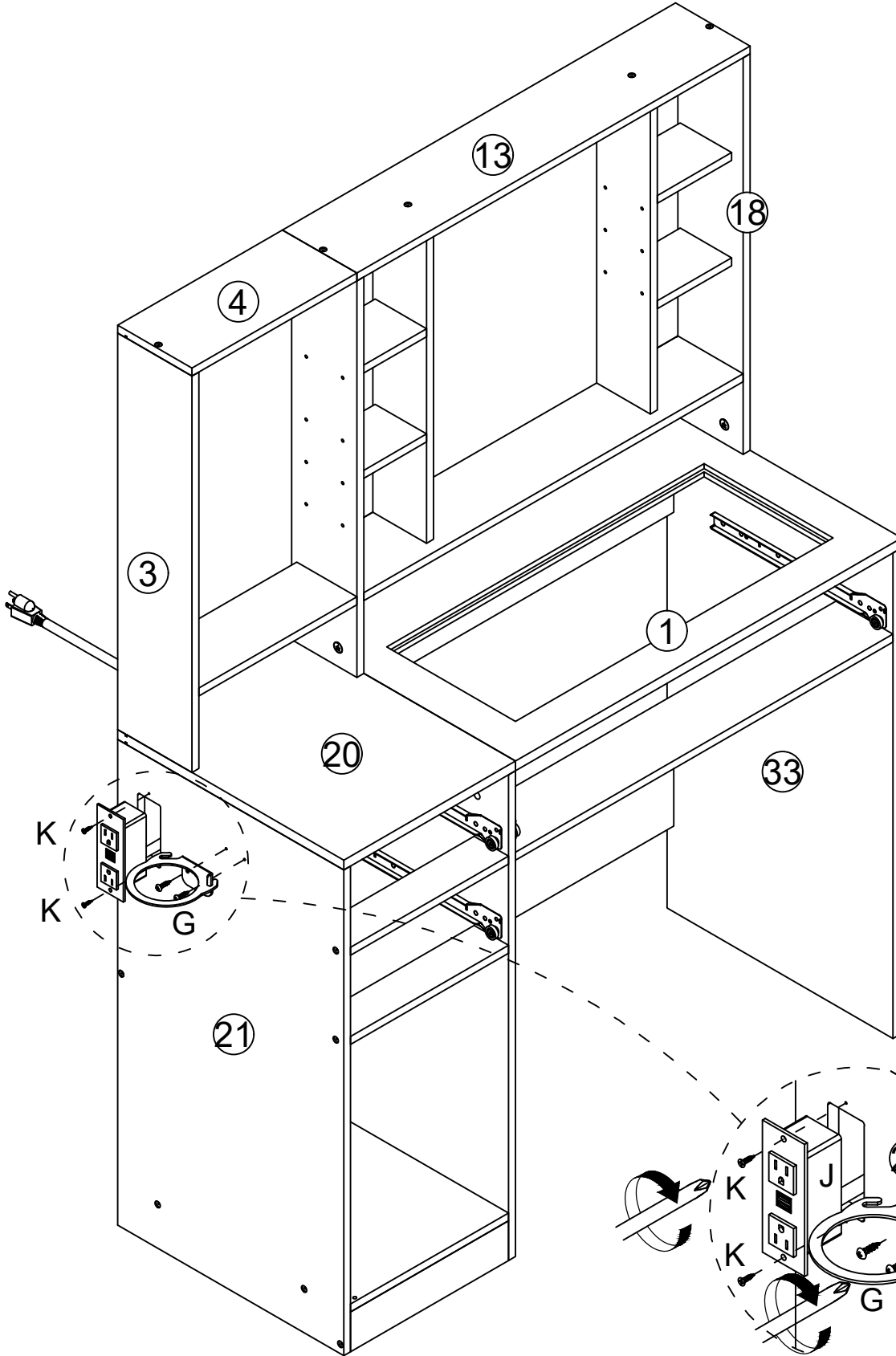
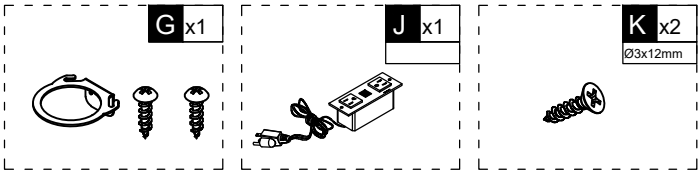


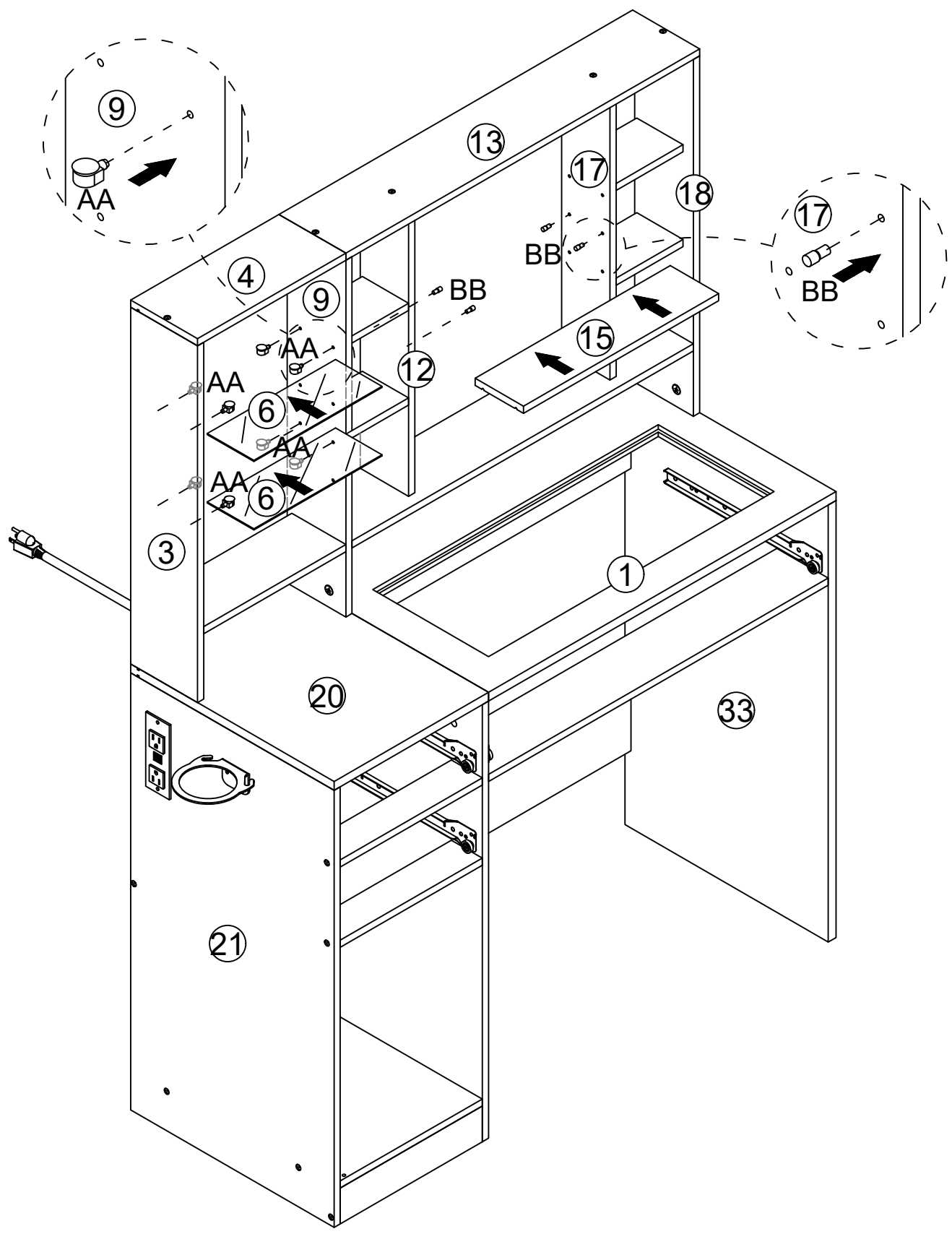
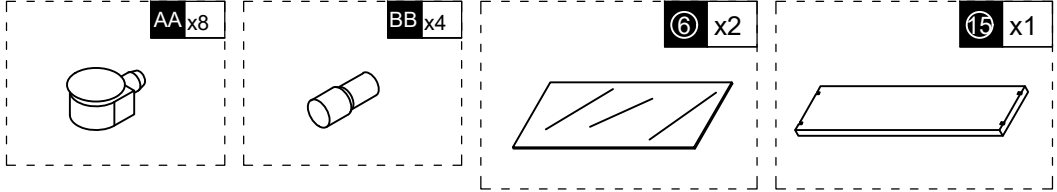
C x8
Ø6x30mm



D x5
Ø4x35mm



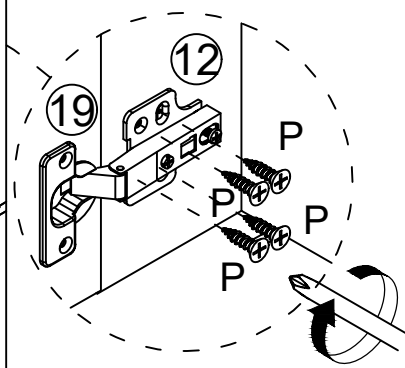
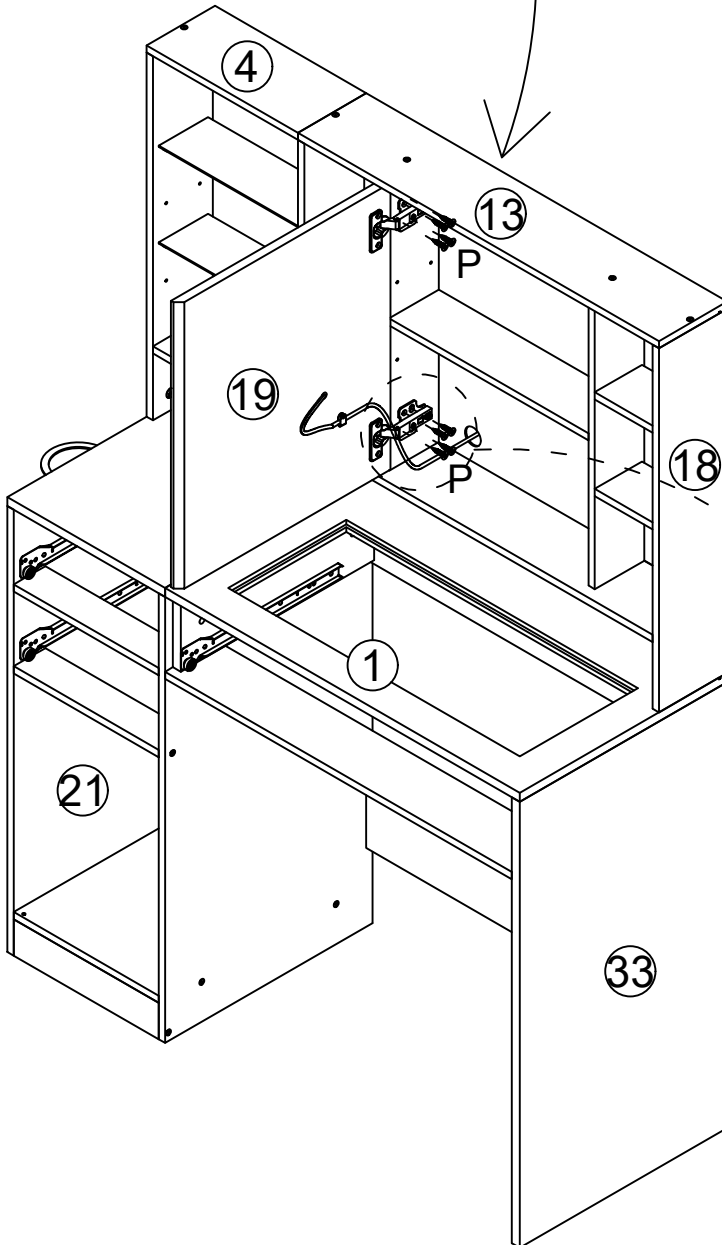
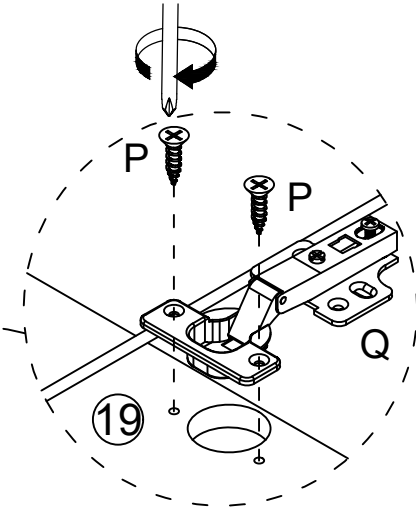
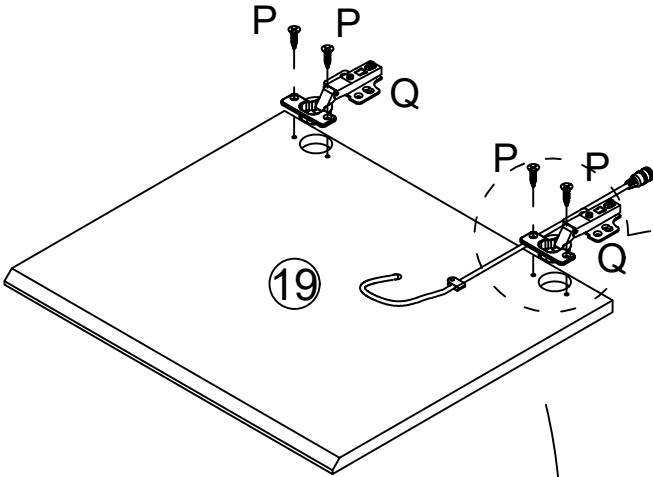
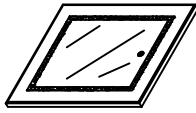




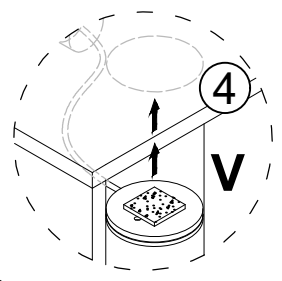
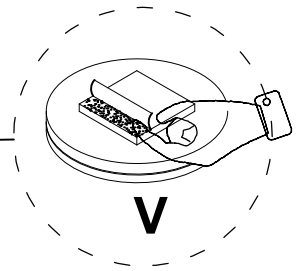
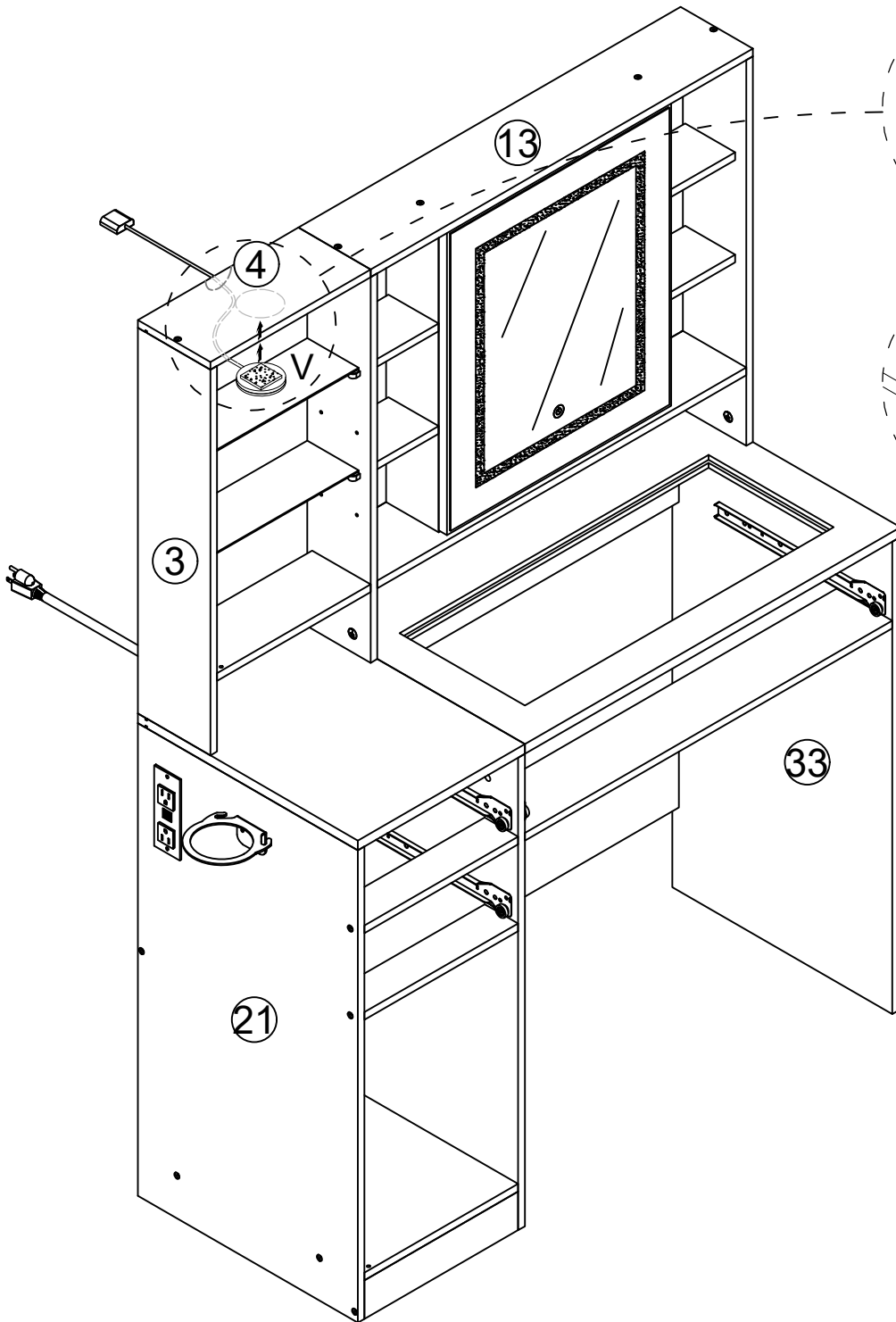
P x12
Ø3.5x12mm

Q x2

19 x1



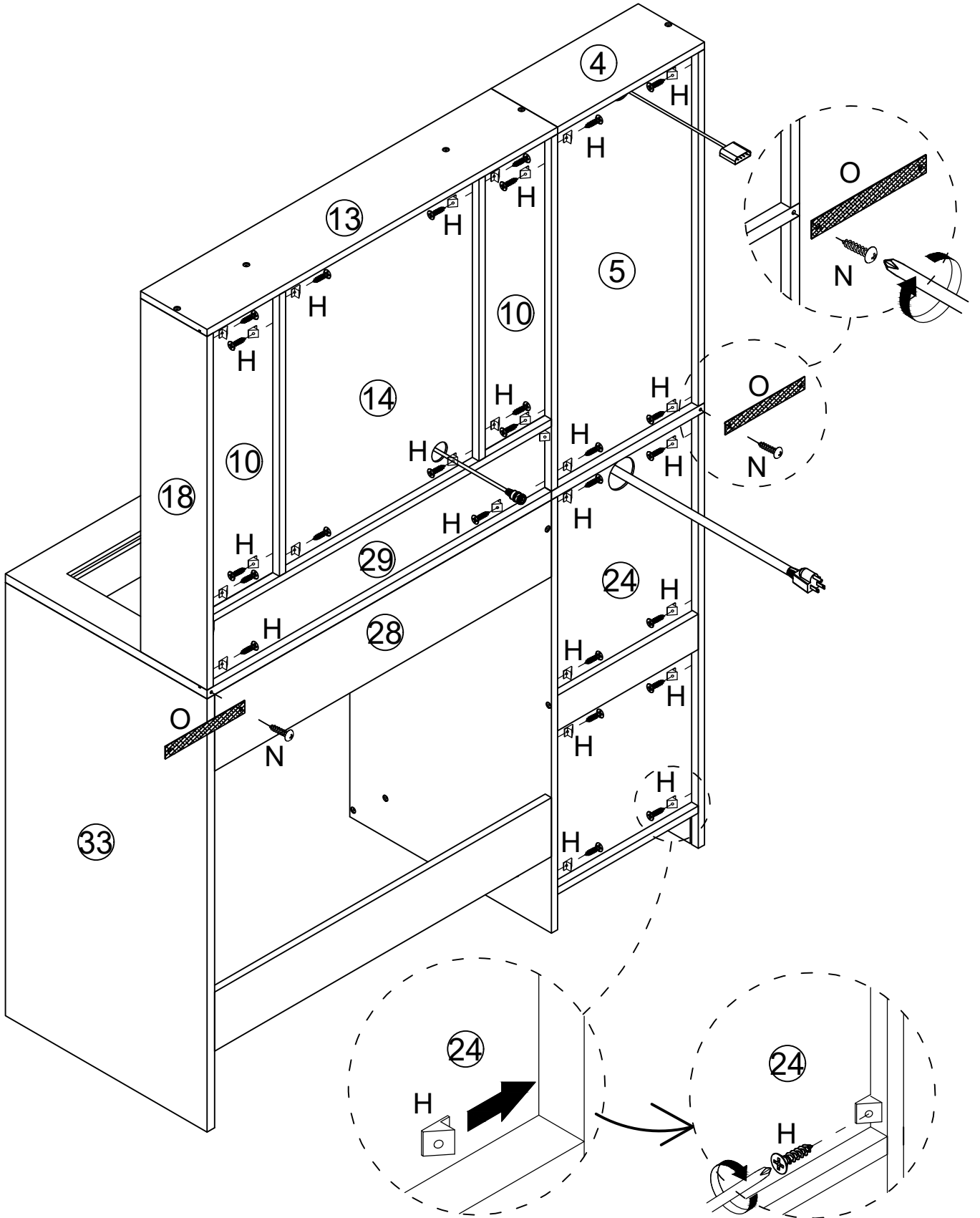
V x1

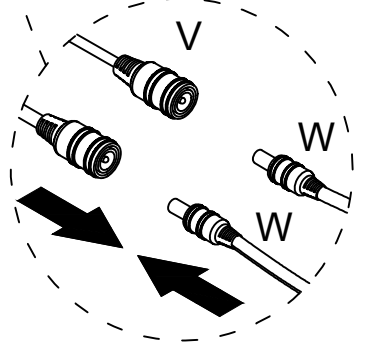
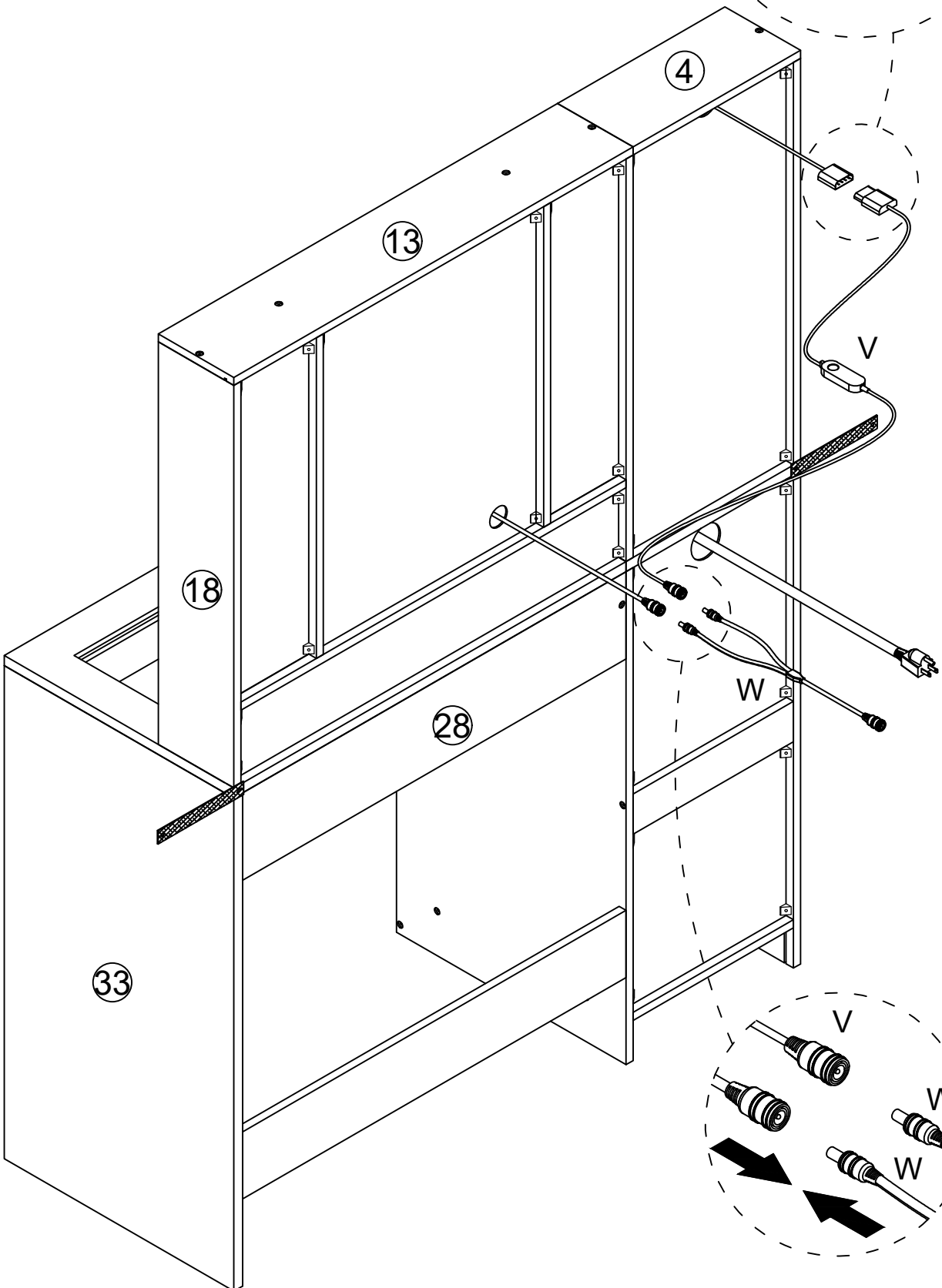
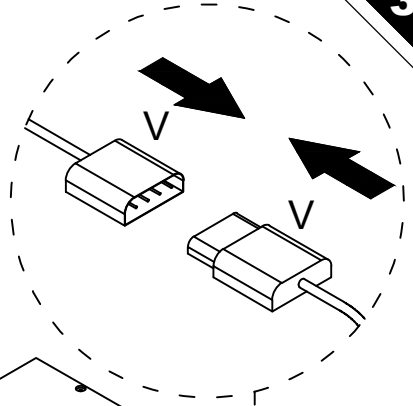
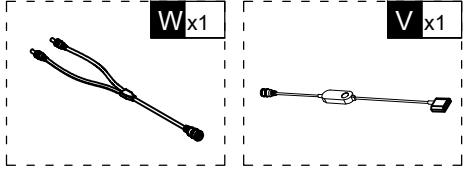


H x26

N x2

O x2





F x2



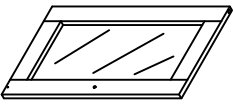
U x4



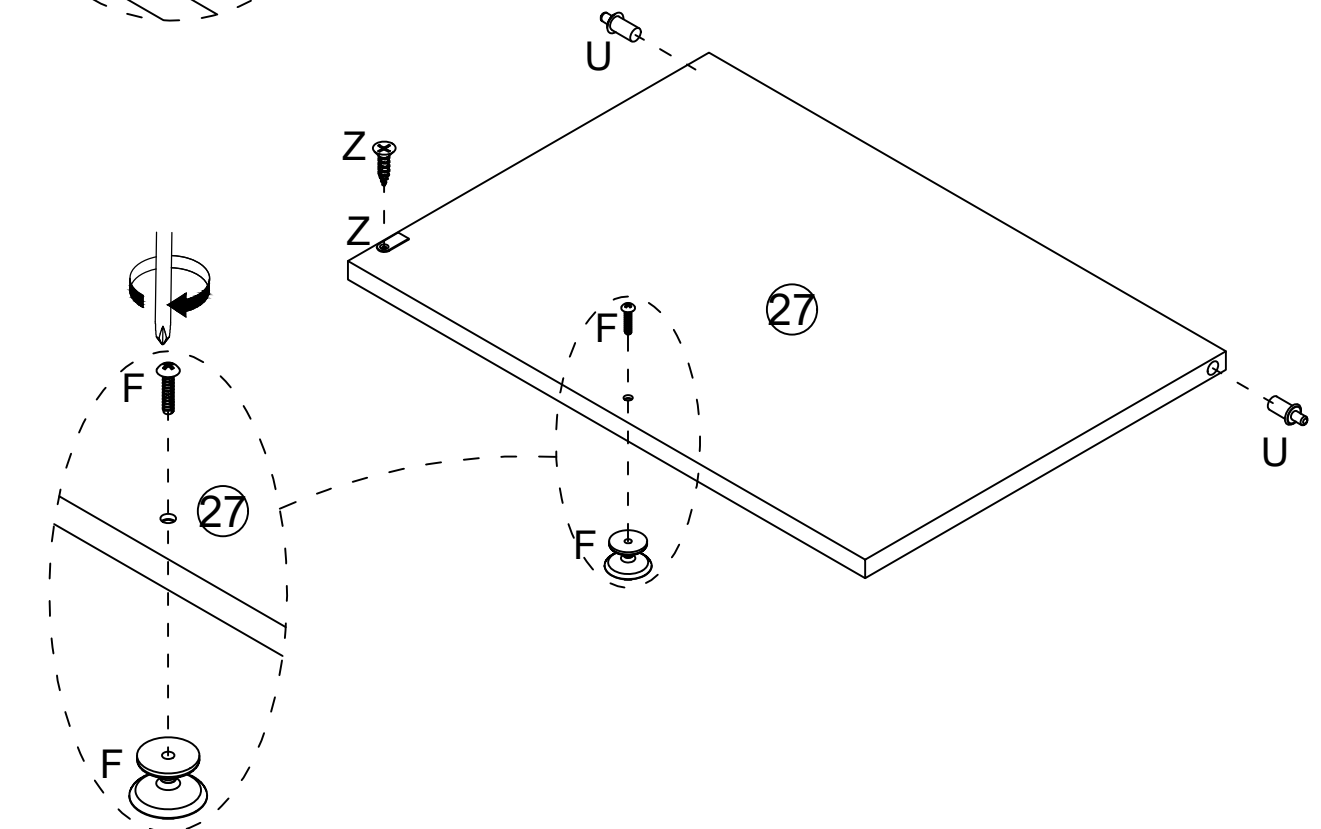
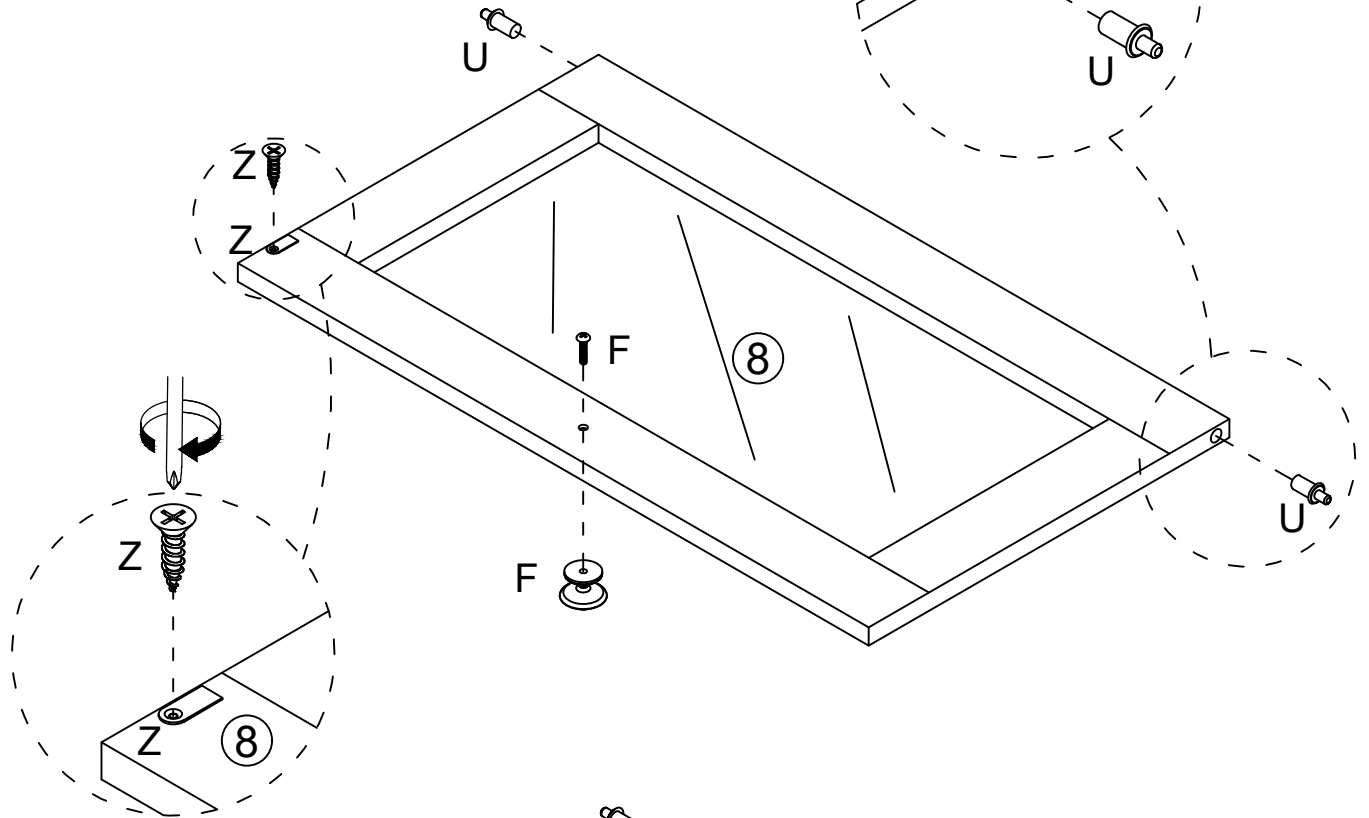
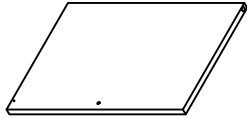
Z x2

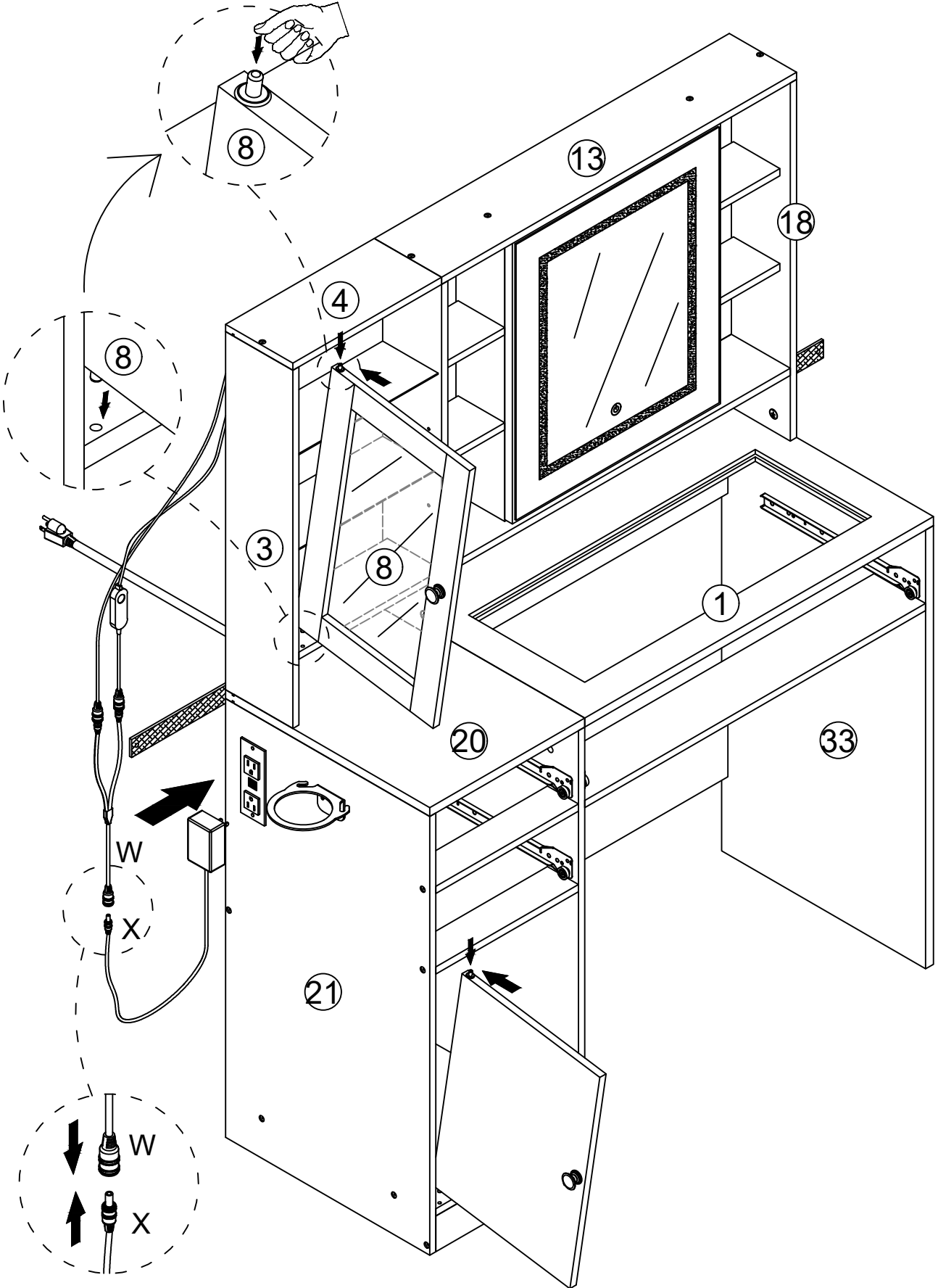
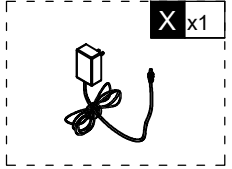


8 x1

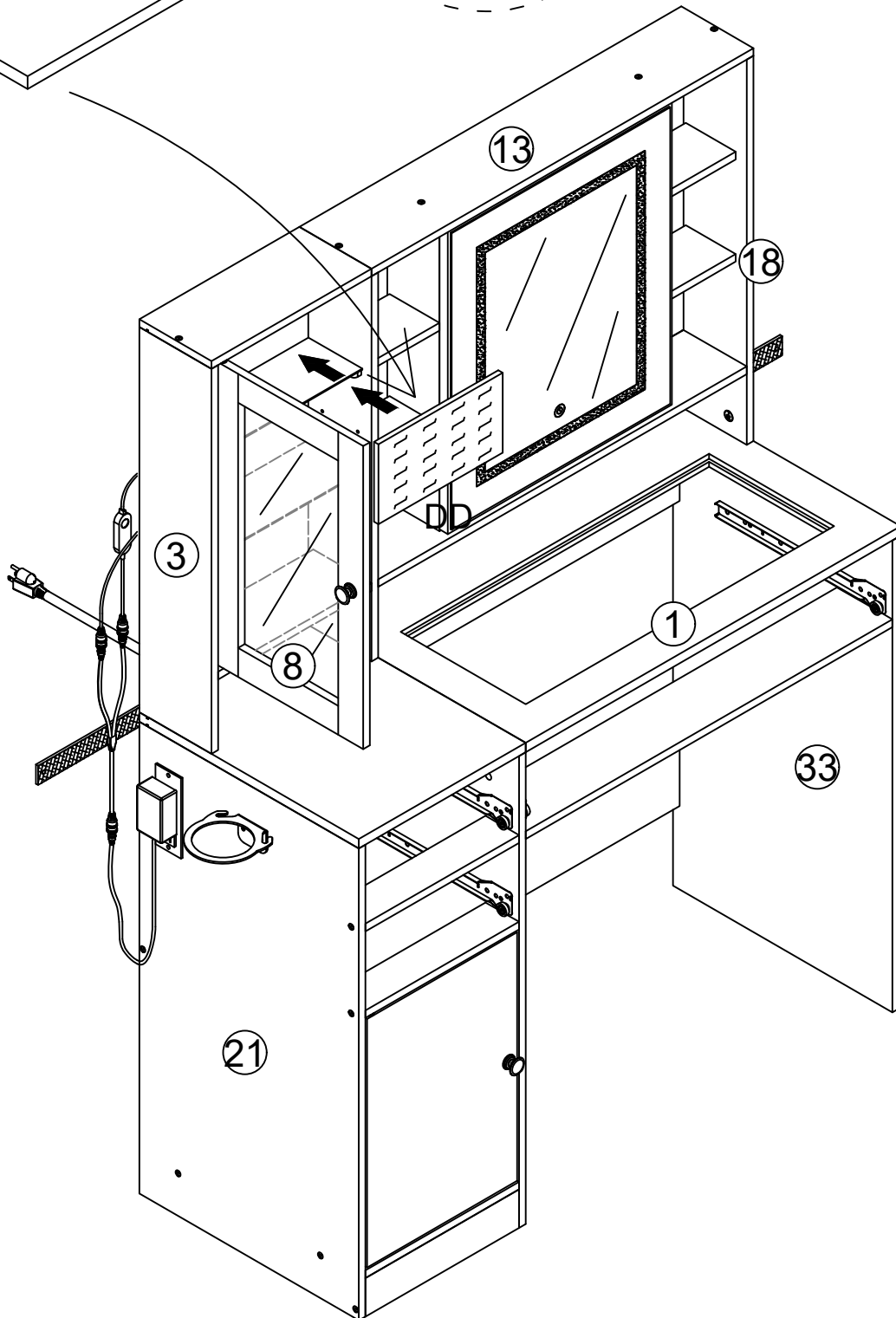
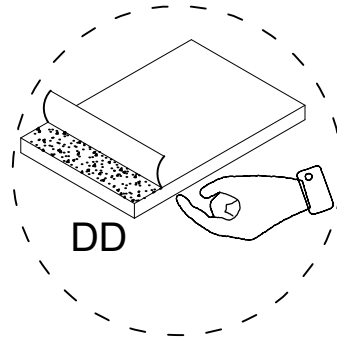
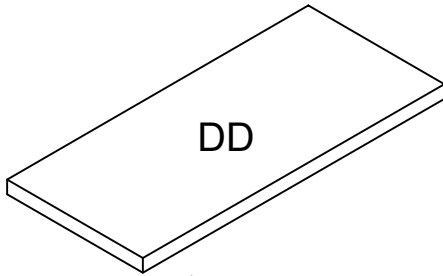
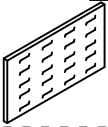


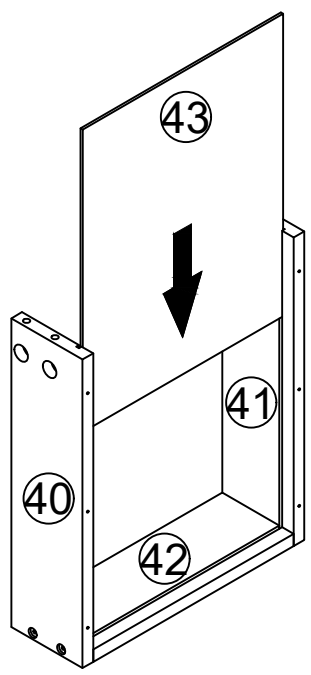
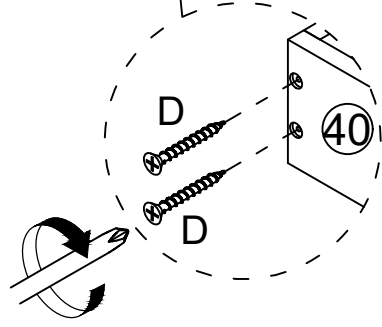
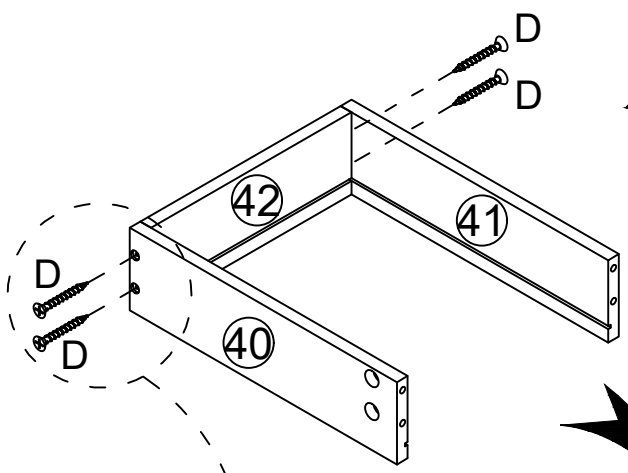
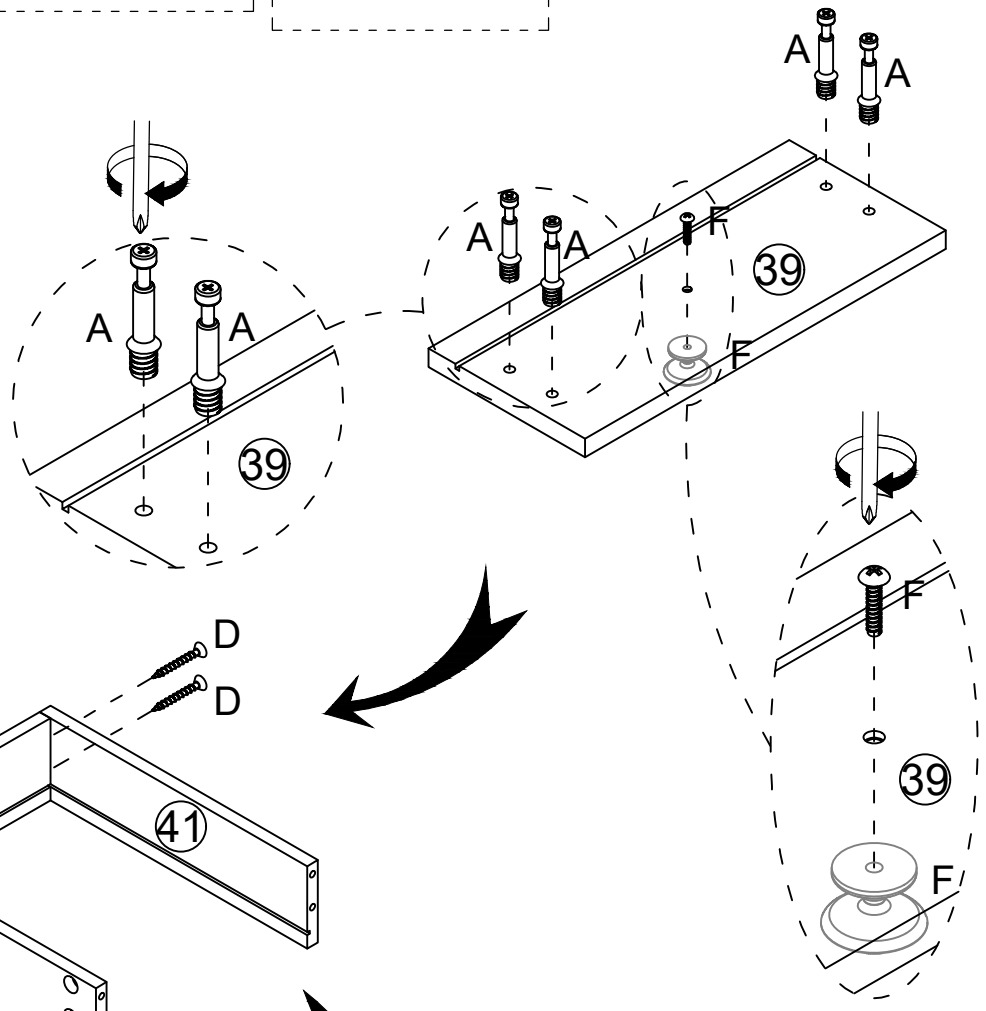
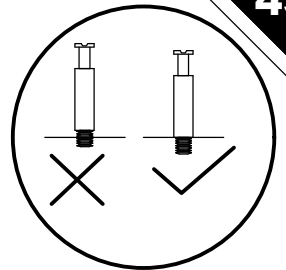
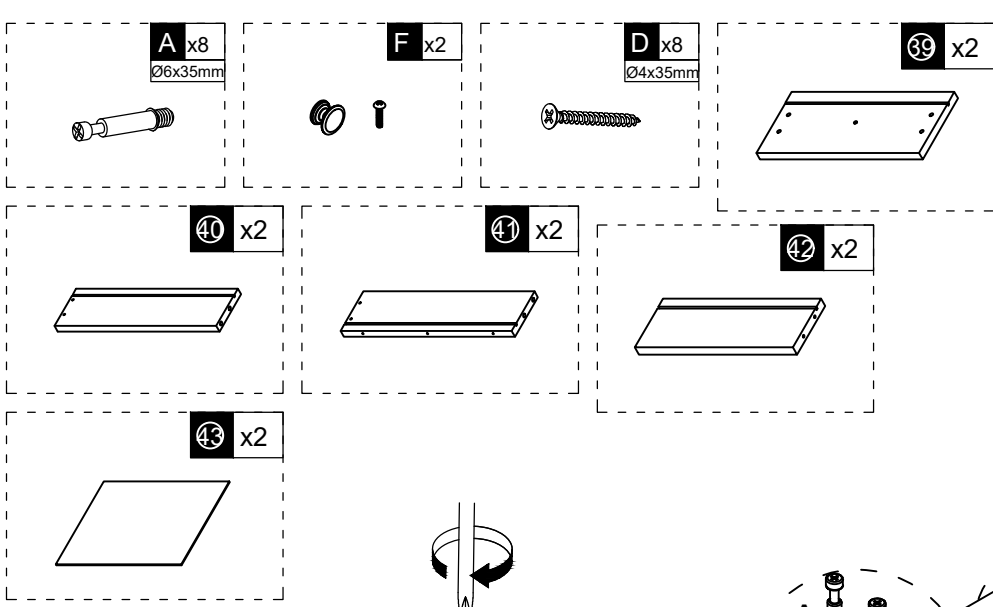
27 x1



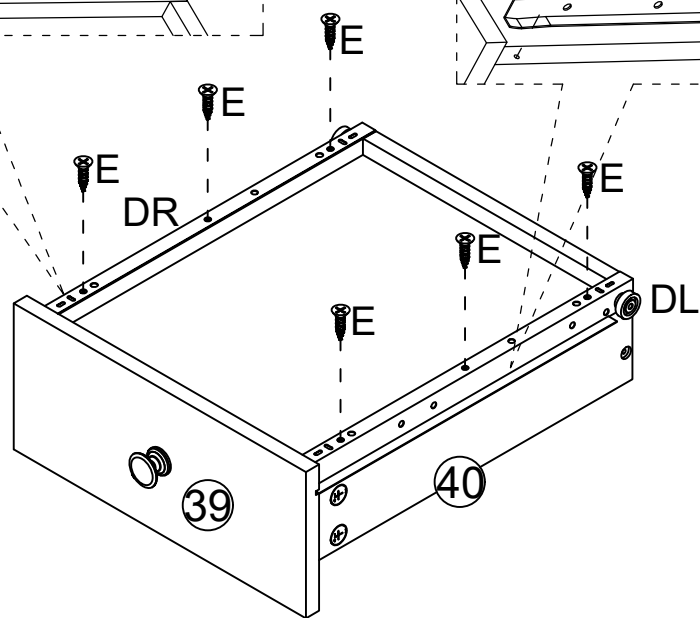
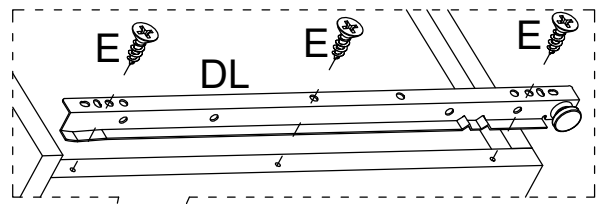
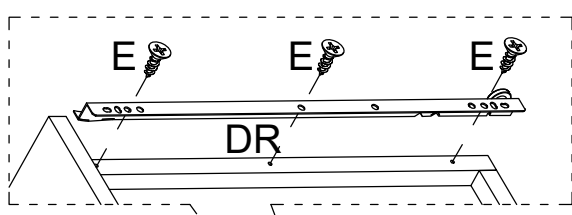
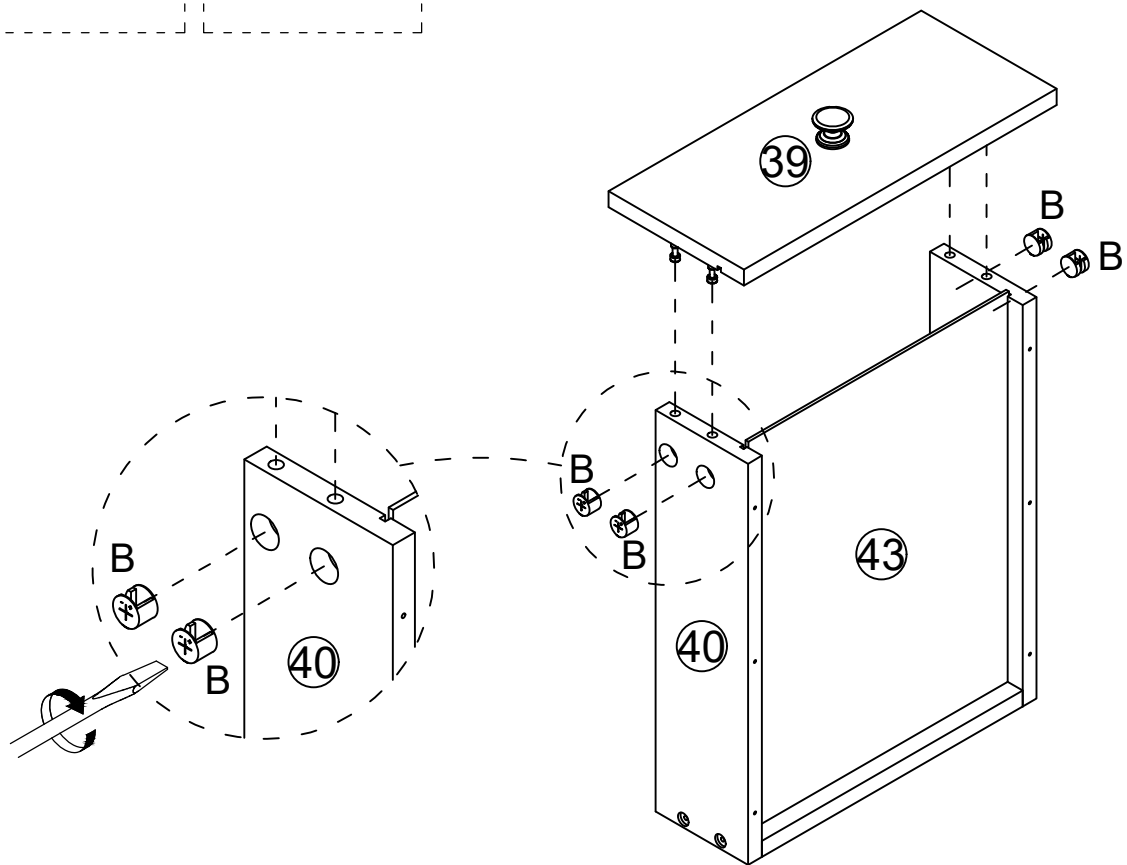
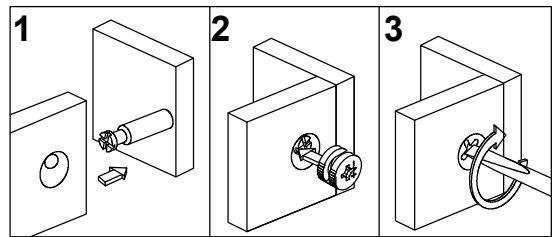
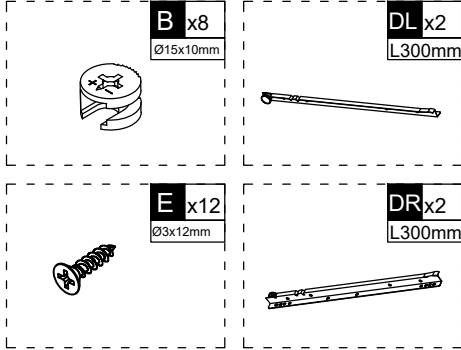


DD x1

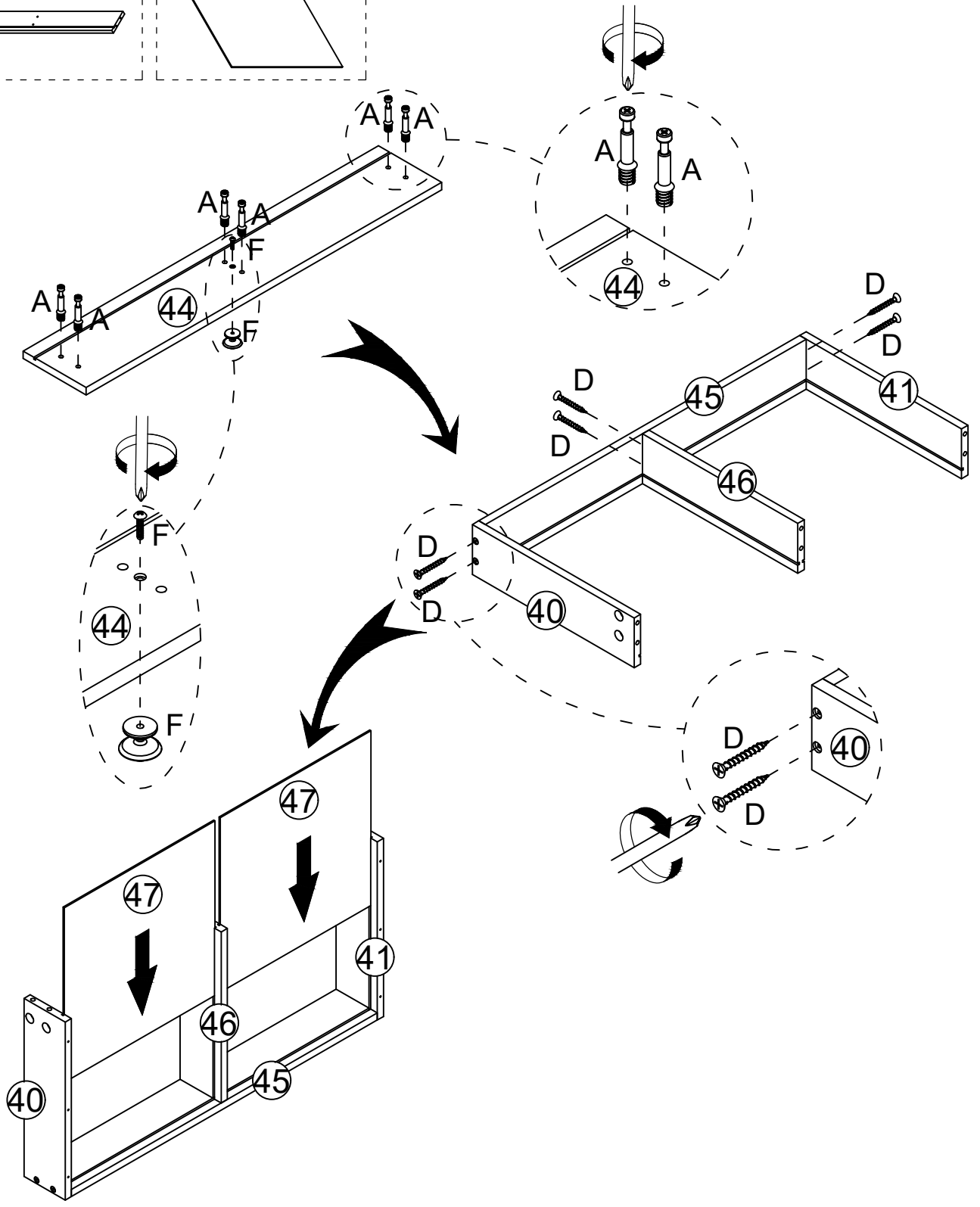
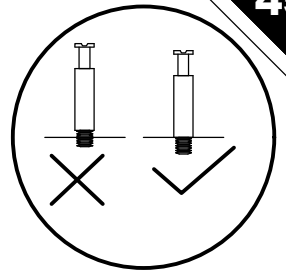
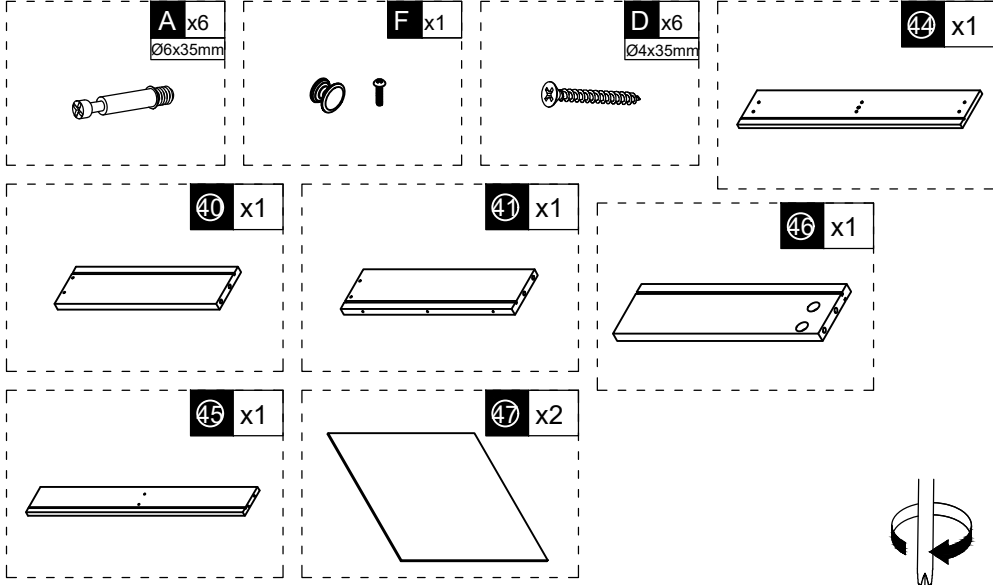


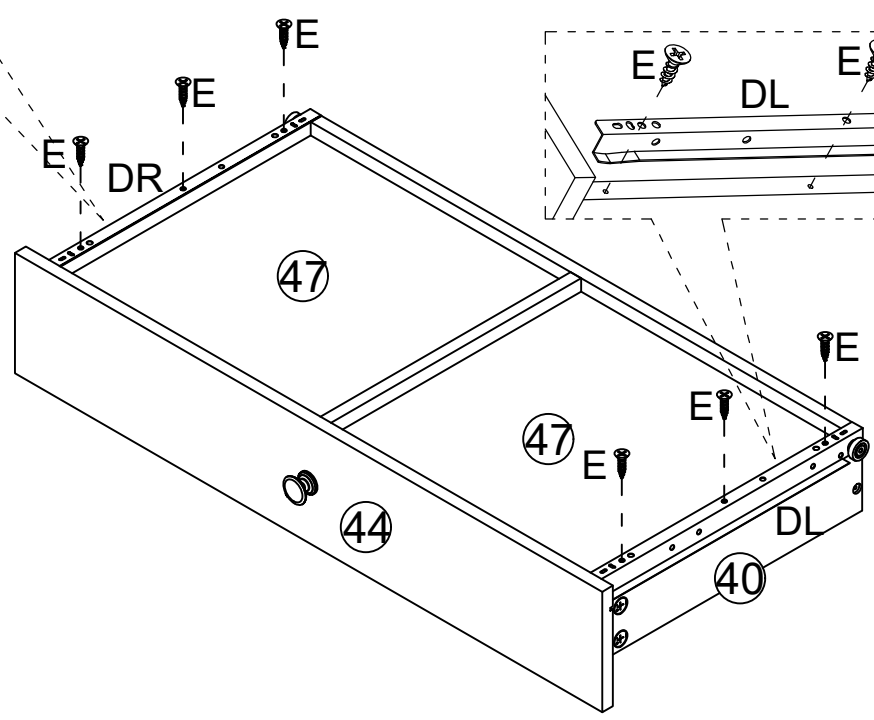
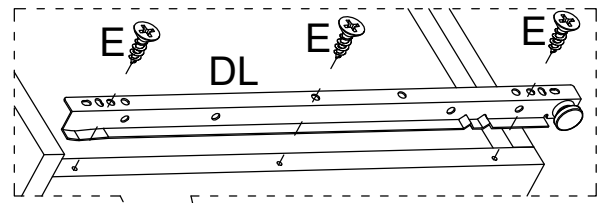
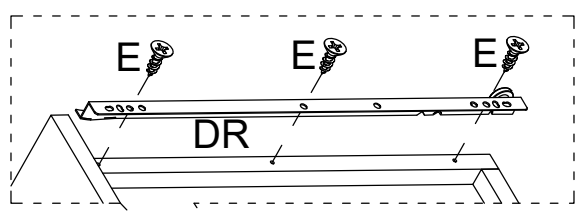
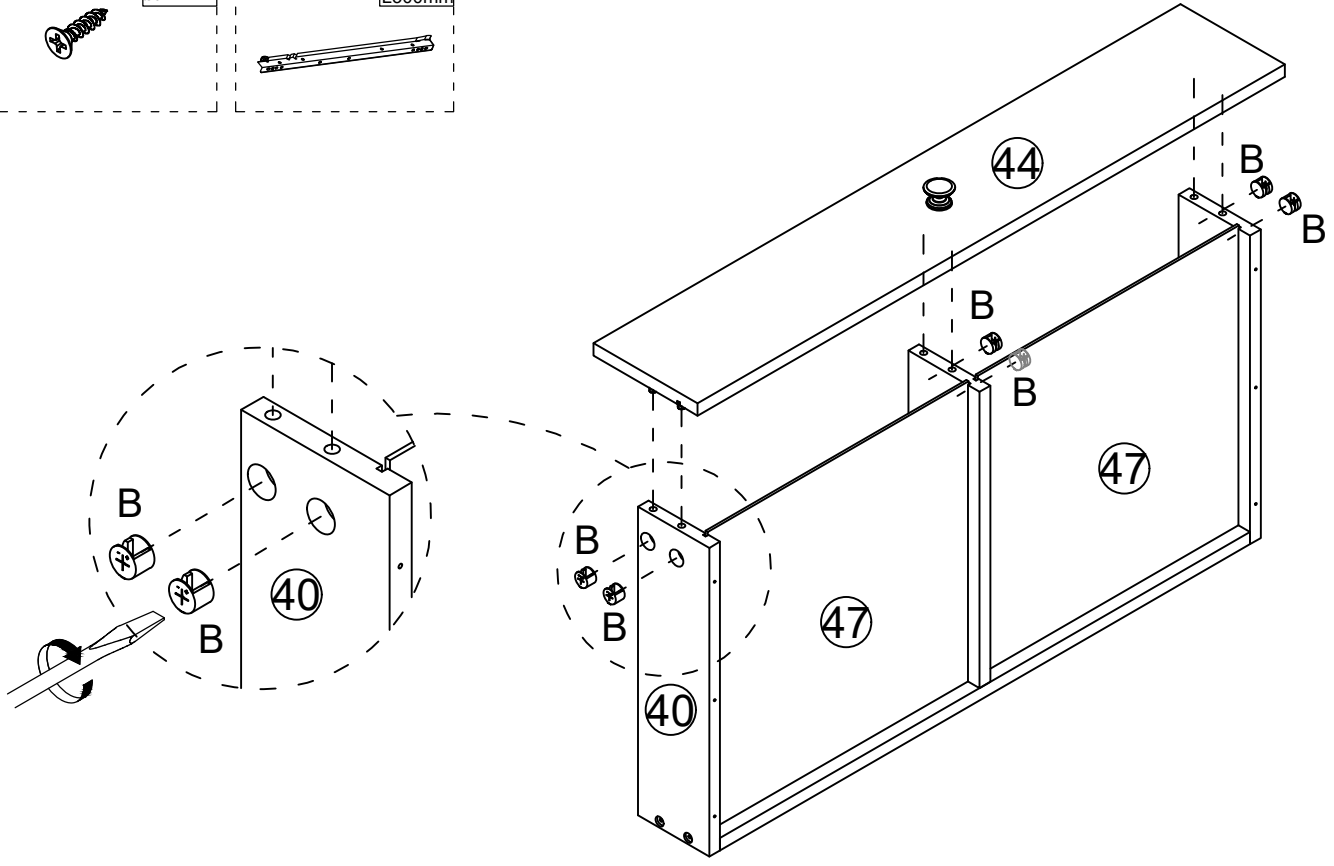
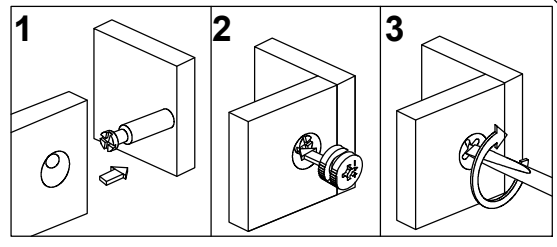
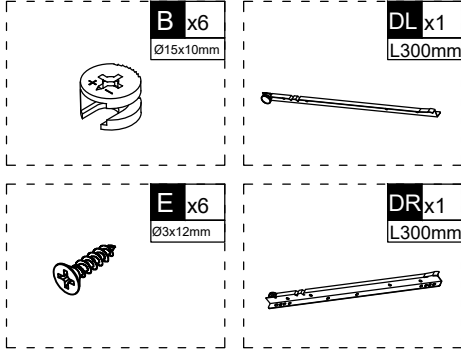


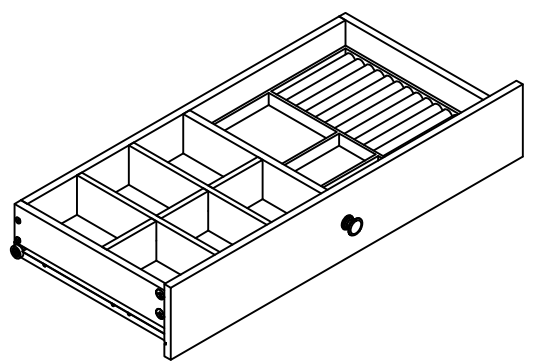
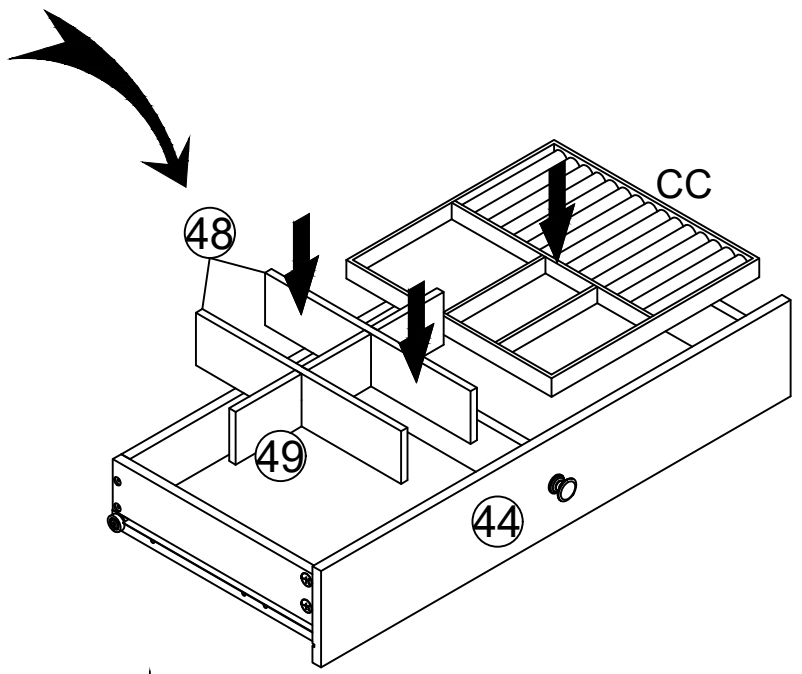
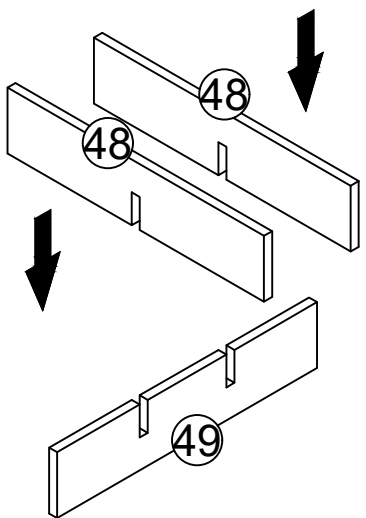
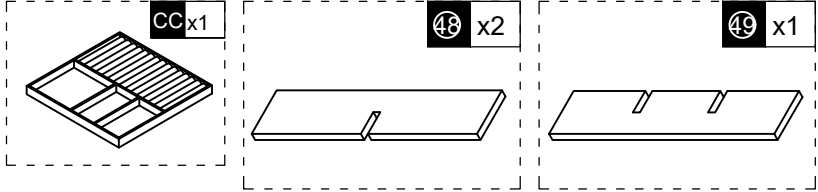
x2

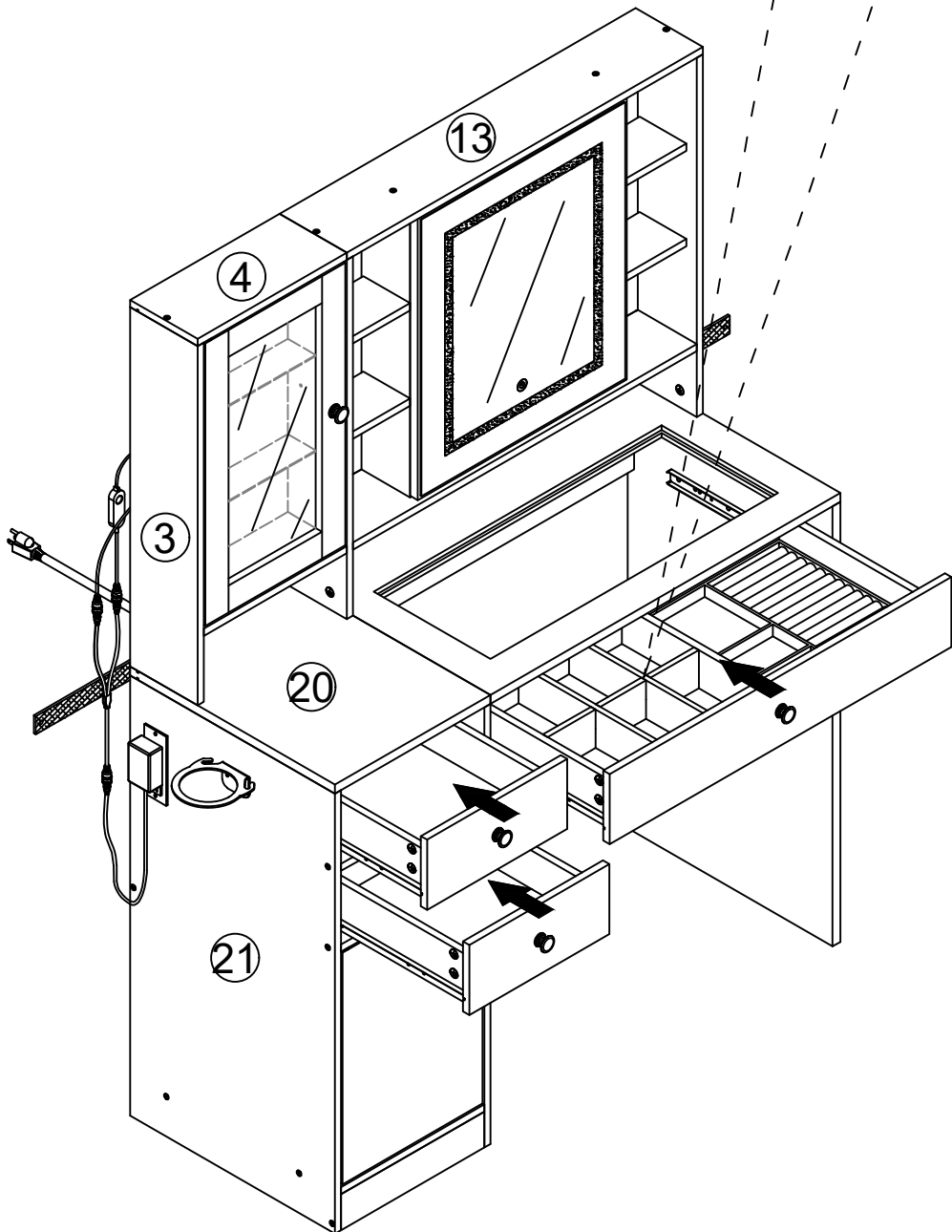
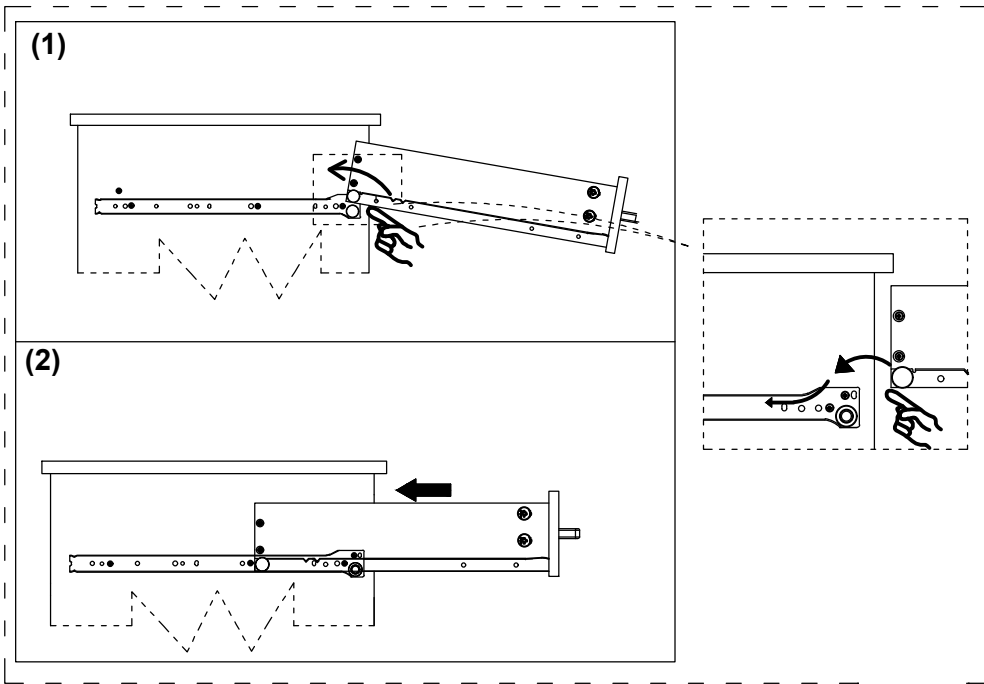


x2

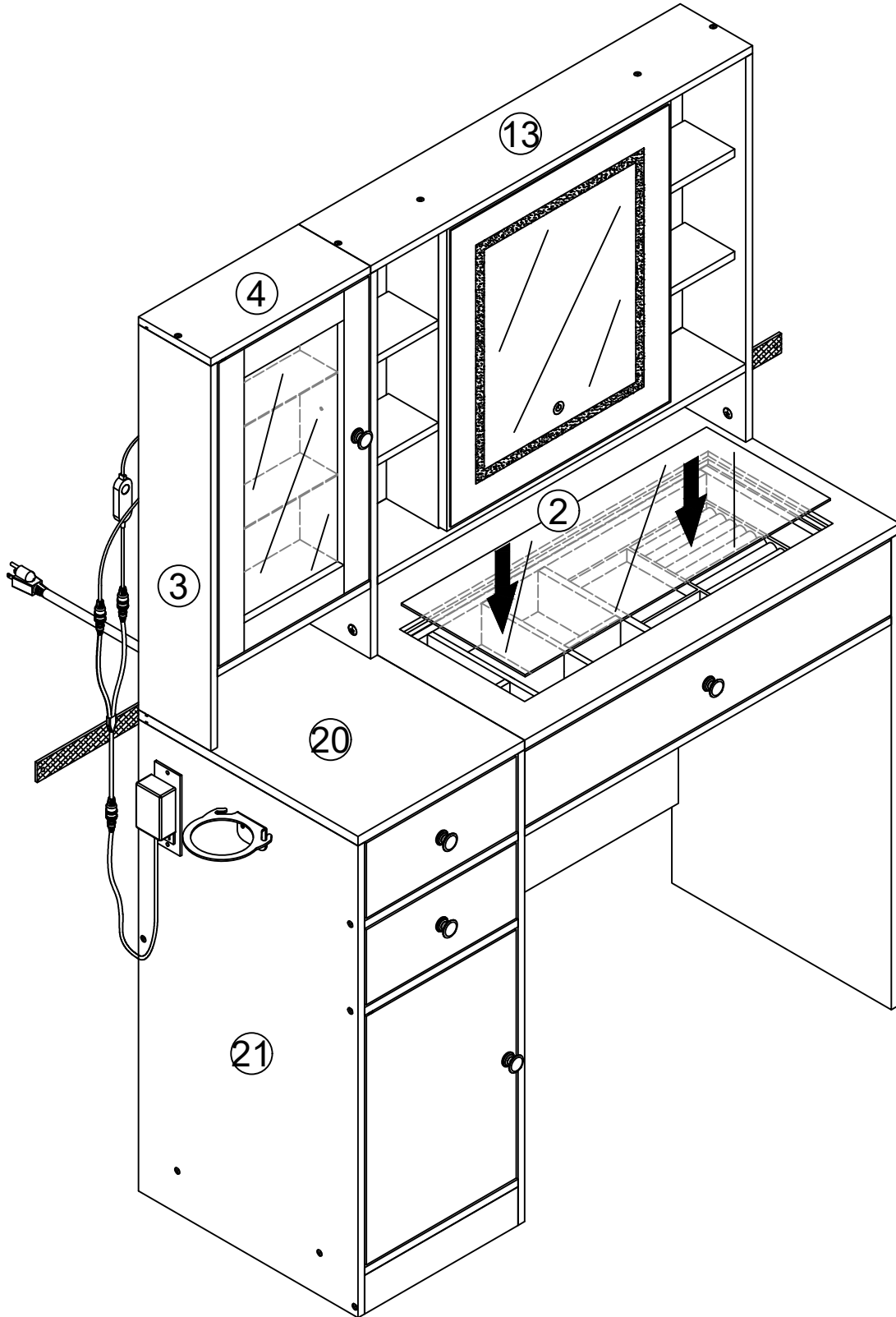
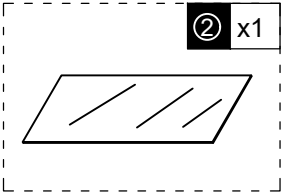








② x1

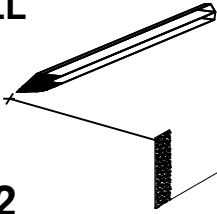


D x2
Ø4x35mm

M x2
Ø6x30mm



WALL



I x2

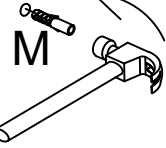
WALL

drilling hole
Ø6x30mm

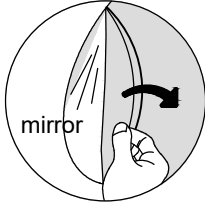


II x2

WALL

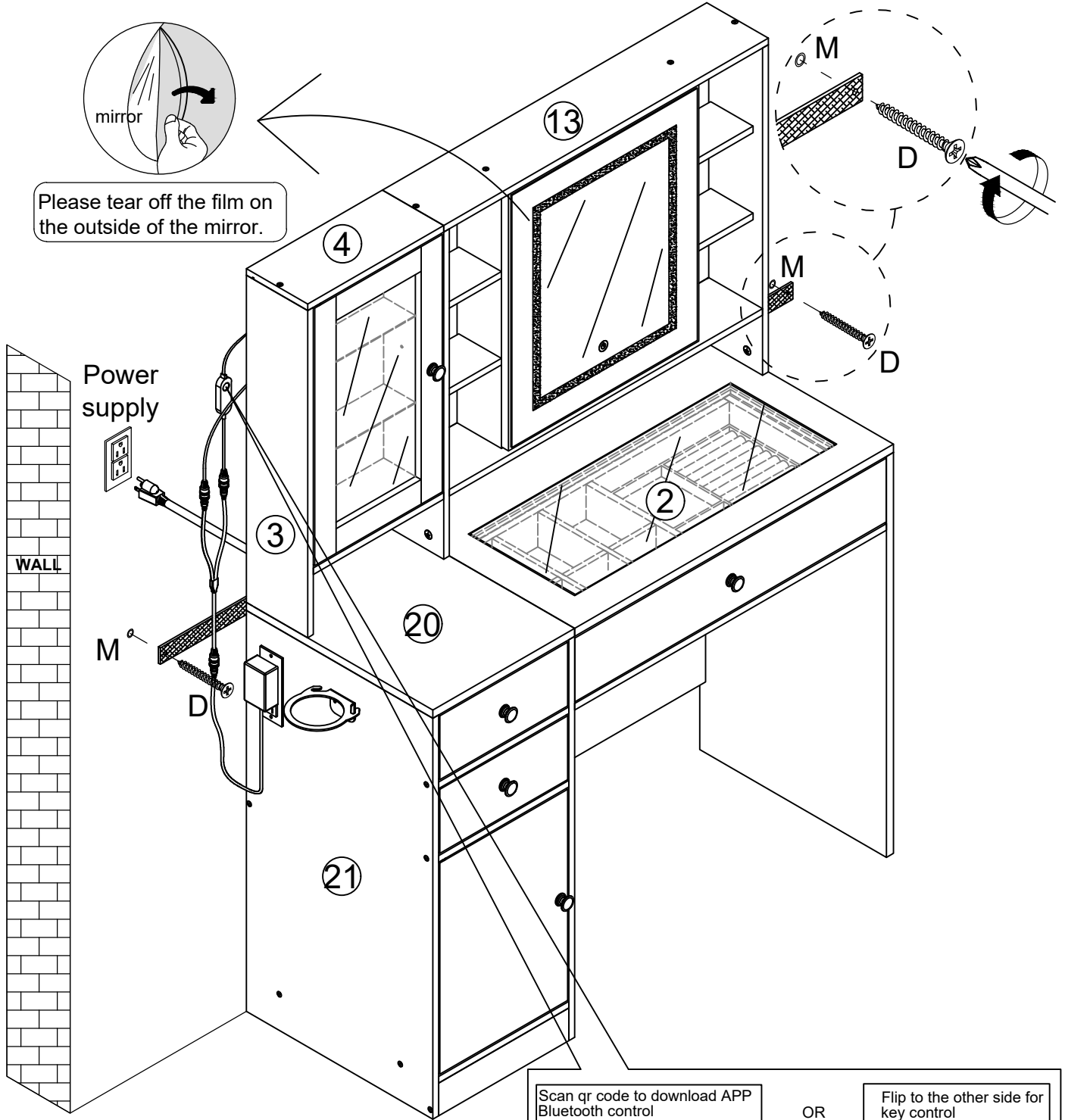


III x2



mirror

Please tear off the film on the outside of the mirror.



M

D

M

D

Power supply

WALL

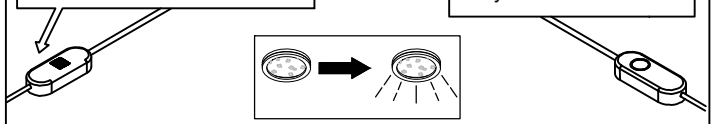
M

D

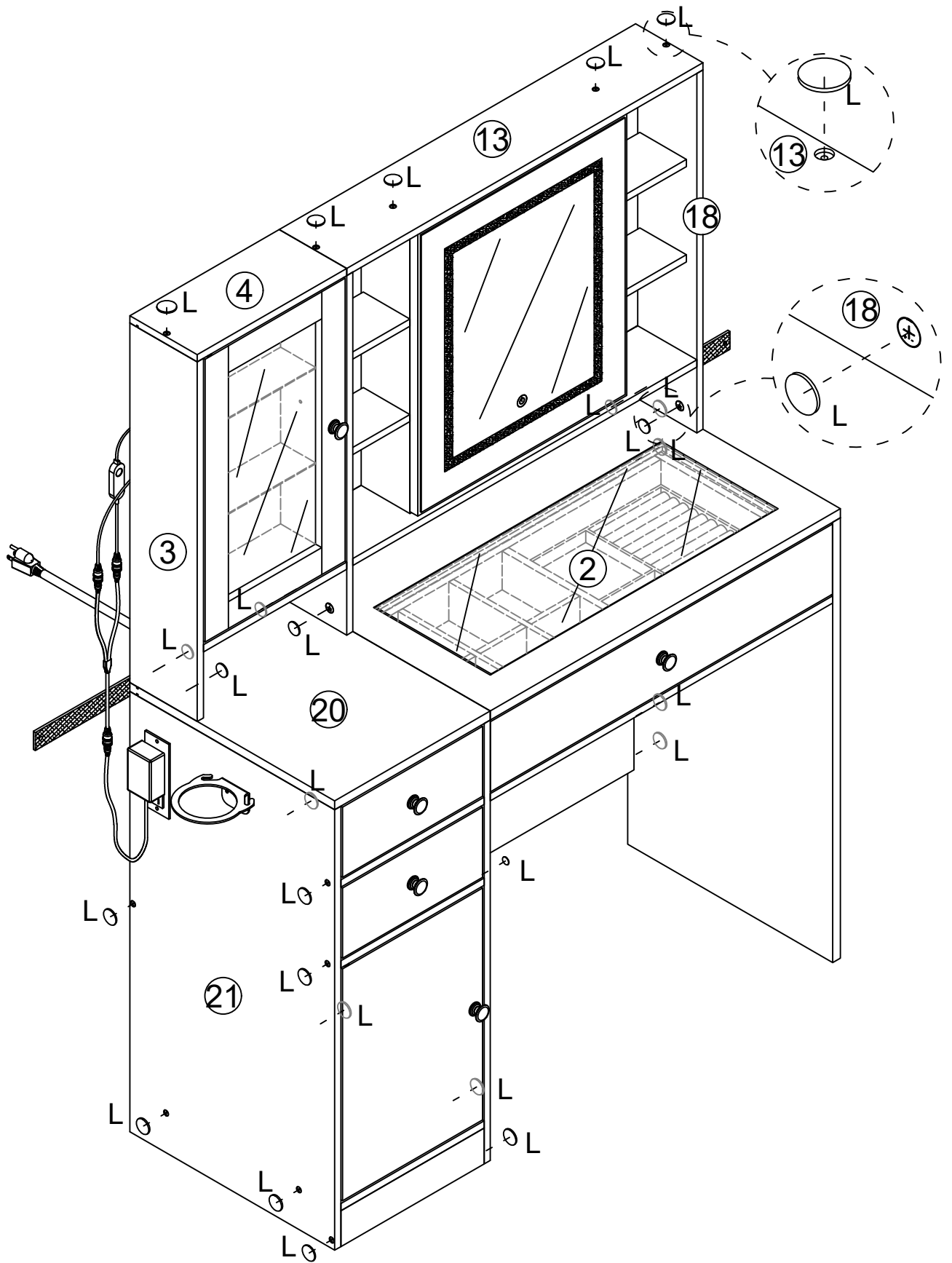
Scan qr code to download APP Bluetooth control

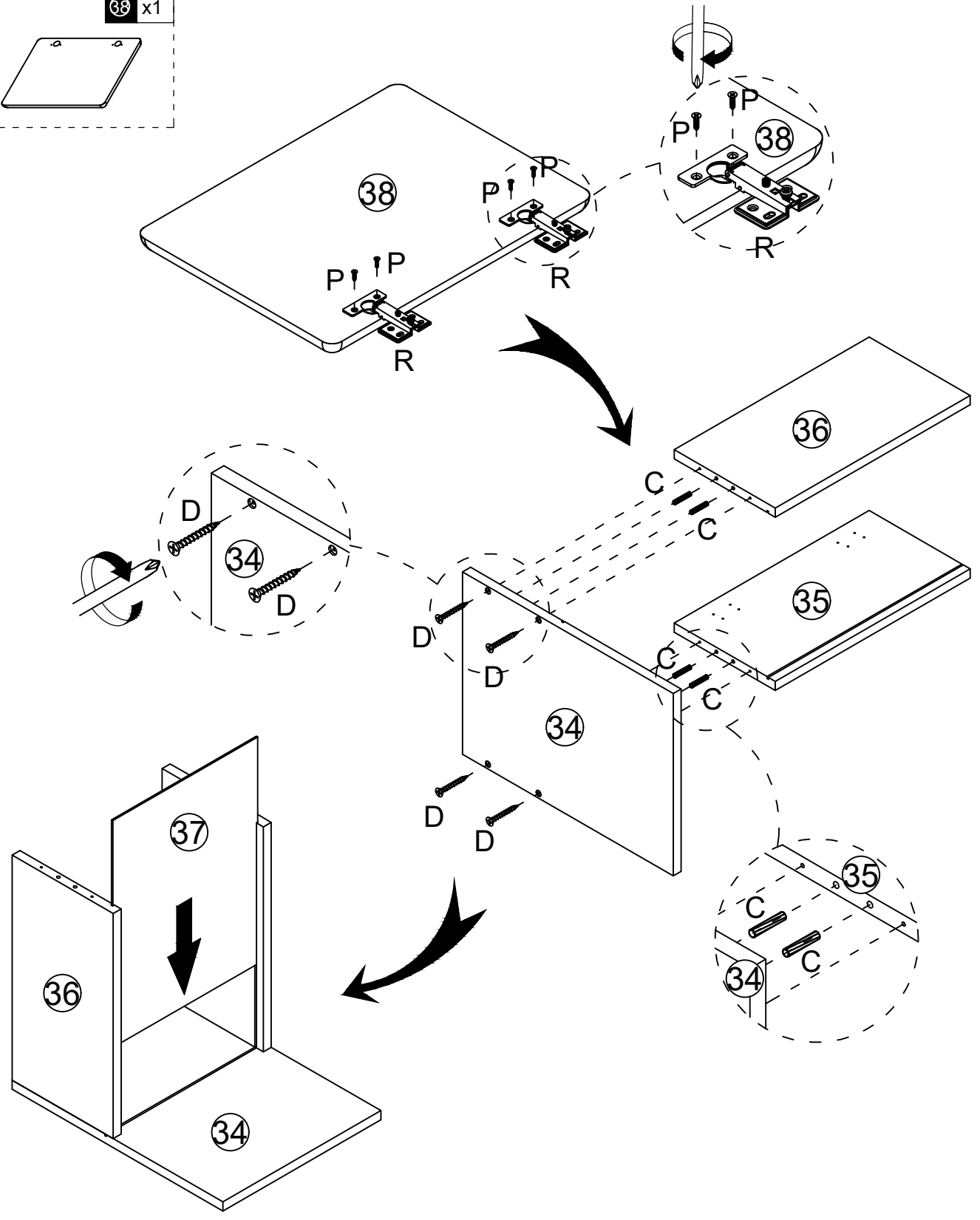
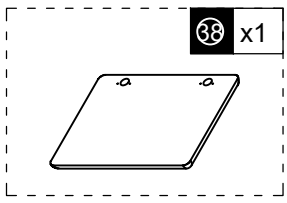
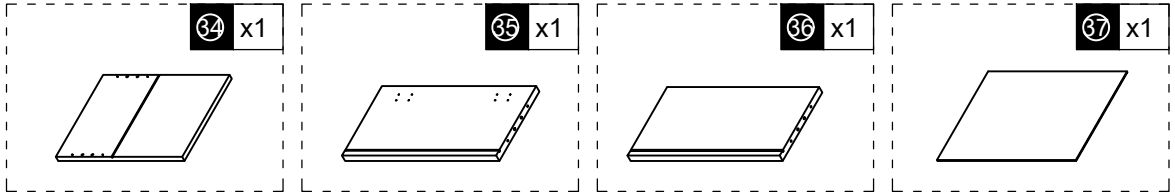
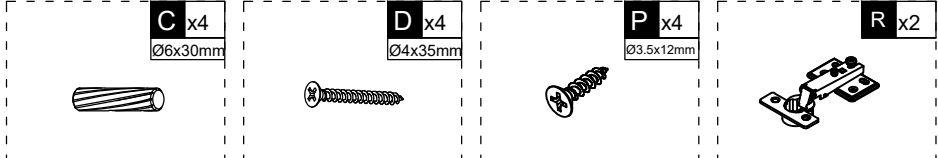
OR

Flip to the other side for key control



L x26





C x4
Ø6x30mm



D x4
Ø4x35mm



P x8
Ø3.5x12mm



L x8



34 x1

