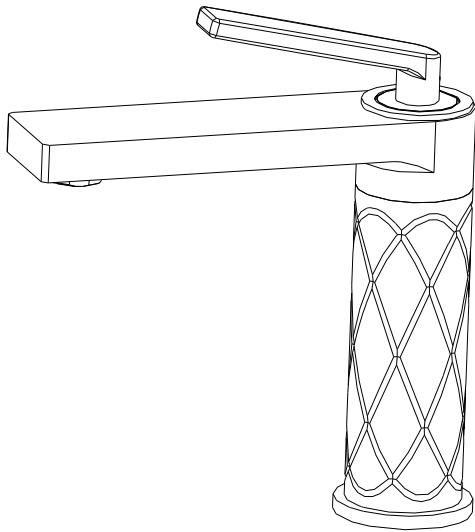


SN2301-LSJ Basin faucet quick installation instructions



1、 Installation Notes

1、 Please check the completeness of the parts after opening the package (standard parts list). If there is any defect, please contact your local distributor immediately.

2、 The purchased basin is matched with the basic installation size of this product.

3、 The faucet heart part of the main group has been tested and debugged by the factory, do not disassemble it yourself.

4、 Special attention must be paid to the cold and hot water pipes connected to the faucet: red hose is connected to hot water, and blue hose is connected to cold water. If the connection is wrong, it will be contrary to the red and blue identifier on the handle.

5、 Before installing the faucet, be sure to remove the impurities and sludge in the embedded pipe to avoid blockage and affect the effluent function.

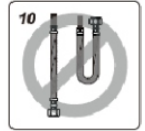
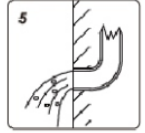
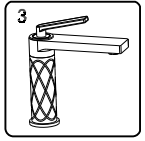
6、 After installation, turn on the water source, and then check that the connections are tightly connected to ensure that there are no leaks.

7、 Water inlet pressure must $\leq 0.1\text{MPa}$ Water inlet pressure $\leq 1.0\text{MPa}$.

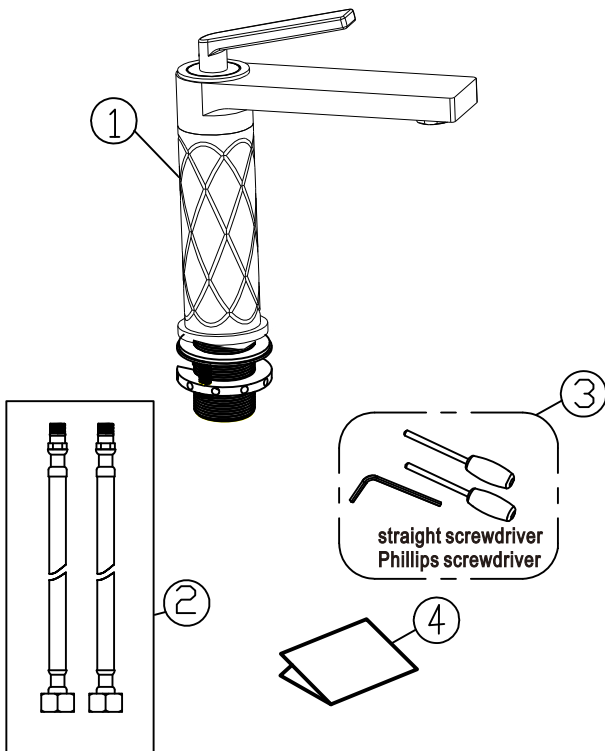
8、 The medium temperature cannot be greater than 90°C .

9、 The torque at the nut joint cannot be greater than 10Nm .

10、 Do not bend the hose excessively. Ensure that the hose does not deform after installation.

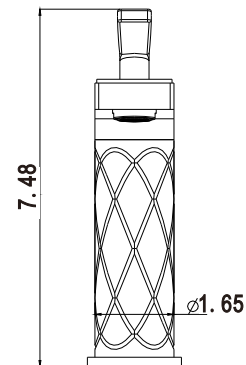
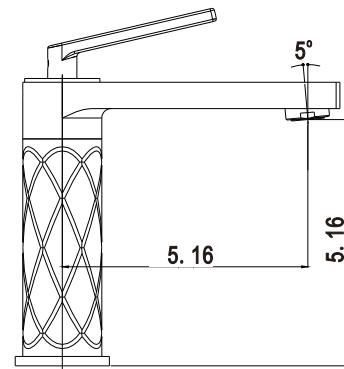


2、 List of standard parts



No.	Name	Quantity
1	Main assembly	1
2	Hose set	1
3	tools	1
4	instructions	1
5		

3、 Basic dimensional drawing



Unit: in

Our company has always been committed to the policy of continuously improving and improving its product design and performance, and reserves the right to change its product specifications without prior notice.