

THANK YOU!

Your recent purchase is a testament to the trust you've placed in us. We aim to bring joy and comfort to your everyday moments. Beyond offering premium products, we're committed to creating an experience that resonates with you. Your feedback is invaluable, guiding our ongoing efforts to improve and meet your unique needs. Feel free to reach out with any questions or concerns.

Tu compra es un testimonio de la confianza quehas depositado en nosotros. Buscamos llevar alegría y comodidad a tus momentos cotidianos. Más allá de ofrecer productos premium, estamos comprometidos en crear una experiencia que conecte contigo. Tu retroalimentación es invaluable, guiando nuestros esfuerzos continuos para satisfacer tus necesidades. No dudes en contactar con nosotros ante cualquier pregunta o inquietud.



ACCENT CHAIR

Read these instructions carefully. Ensure that all parts are complete before assembling.

A



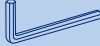
Flat Washer x9

B



Spring Washer x9

C



Allen Key x1

D



M8*55 Bolt x1

E



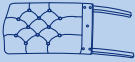
M8*60 Bolt x4

F



M8*75 Bolt x4

G



Chair Back x1

H



Chair Seat x1

I

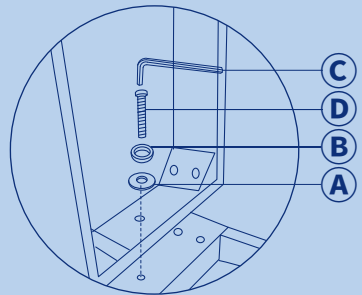
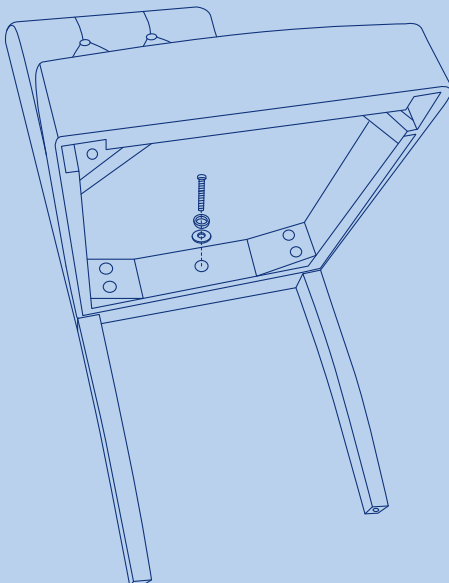


Front Leg x2



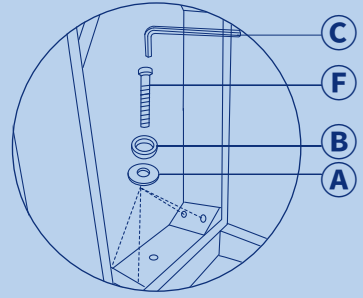
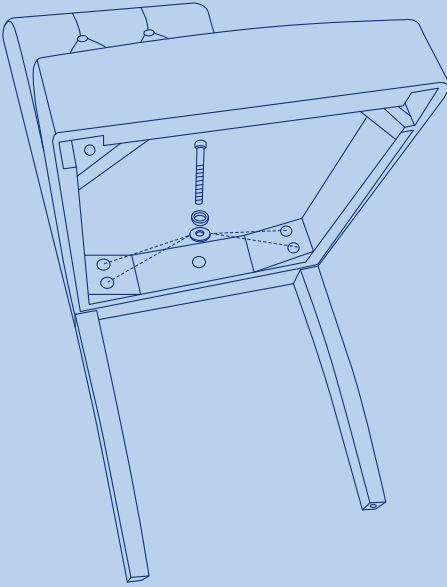
When operating the electric screwdriver, please exercise caution to prevent over-tightening, as it may result in stripped holes. Be mindful not to scratch any components during use.

Step 1



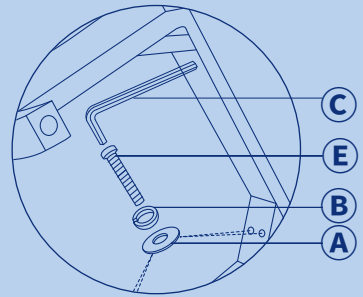
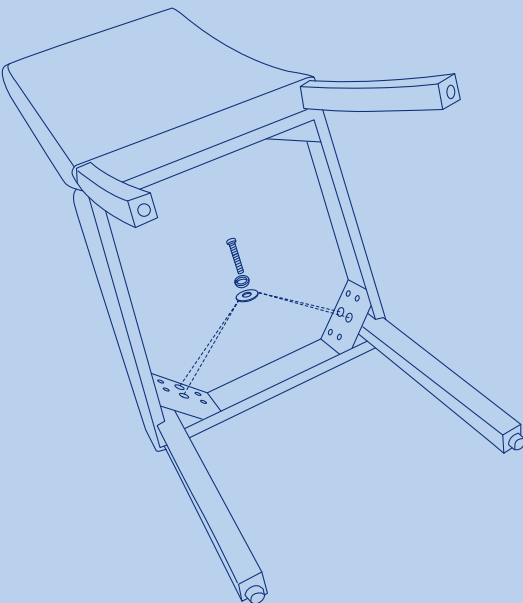
Tighten to 75%

Step 2



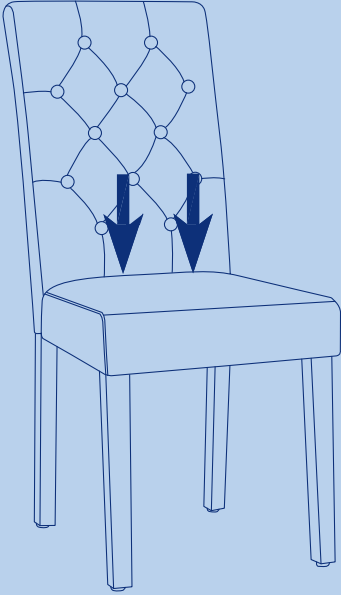
Tighten to 75%

Step 3

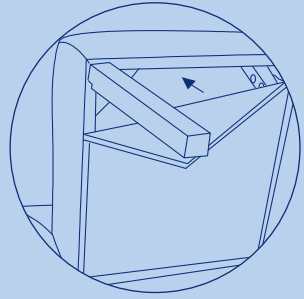


Tighten to 75%

Step 4

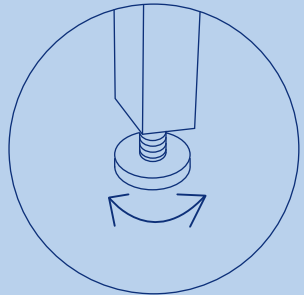
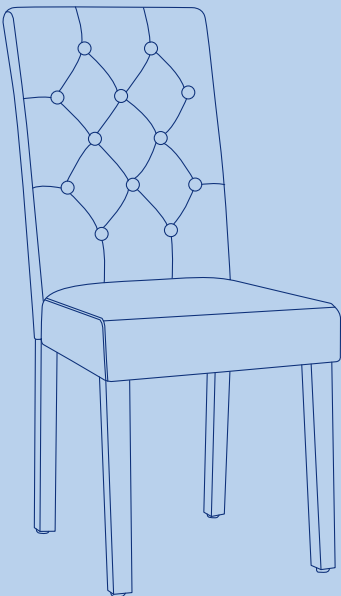


Ensure the chair is stable on the ground and doesn't require any adjustments, then tighten all screws to 100%.



Seal the fabric cover back under the chair once it's fully assembled.

Step 5



Utilize the adjustable foot pads to level the dining chair as needed.

CARE AND MAINTENANCE

Avoid exposure to extreme temperature and humidity changes. Keep away from direct sunlight to prevent damage to the finish.

Use a soft, clean cloth for dusting to avoid scratching the surface.

We recommend tightening the screws every 2 months after assembly.