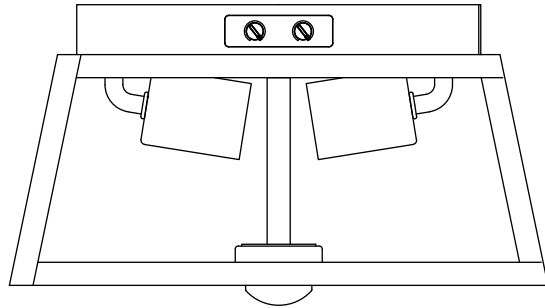
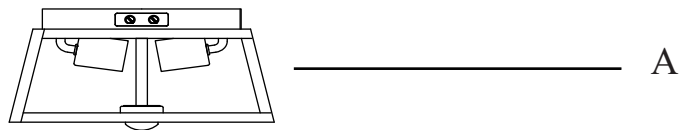


Instruction Manual

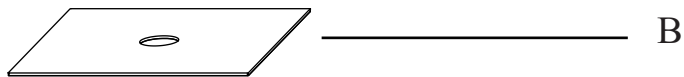
Outdoor Ceiling Light



PACKAGE CONTENTS



A



B

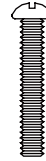


C

PART	DESCRIPTION	QUANTITY
A	Fixture	1
B	Flat Glass	1
C	Outer ring	1

HARDWARE CONTENTS(shown actual size)

AA



Long
monting x 2
screw

BB



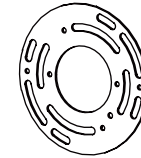
Wire nut x 3

CC



Long
monting x 2
screw

DD



Mounting plate
(Not actual size) x 1

EE



Nut x 2

! WARNING

- TURN OFF ELECTRICITY at main fuse box (or circuit breaker box) before beginning installation by removing fuse (or switching off circuit breaker).
- MINIMUM 90°C SUPPLY CONDUCTORS.

PREPARATION

Before beginning assembly of product, make sure all parts are present. Compare parts with package contents list and hardware contents list. If any part is missing or damaged, do not attempt to assemble the product.

Estimated Assembly Times: 25 minutes

Tools Required for Assembly (not included): Flathead screwdriver , Phillips screwdriver, Pliers, Electrical tape, Wire cutters, Safety glasses.

Helpful Tools (not included): Wire strippers, Step ladder.

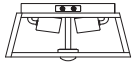


CAUTION: To avoid any waterproofing problems, please make sure the light fixture fits the mounting surface perfectly installation and use waterproof glue around the canopy for better sealing after installation.

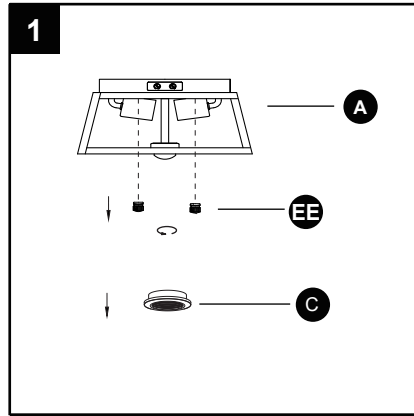
Customer Service: service@24h-reply.com

ASSEMBLY INSTRUCTIONS

1. Remove the nut (EE) and the outer ring (C) from the lamp body.



Hardware Used

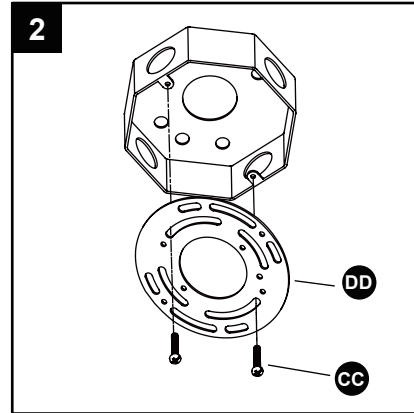
A	Fixture		x 1
C	Outer ring		x 1
EE	Nut		x 2



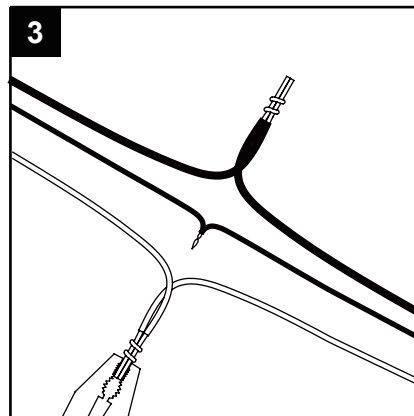
2. Attach the mounting plate (DD) to the outlet box (not included) with the long mounting screws (CC).

Hardware Used

CC	Long mounting screw		x 2
DD	Mounting plate		x 1



3. Strip 3/4 in. of insulation from wire ends. Twist stripped ends together with pliers (not included), black to black (power) and white to white (neutral). Attach copper wire to ground wire. Helpful hint: If necessary, attach copper ground wire to grounded outlet box.

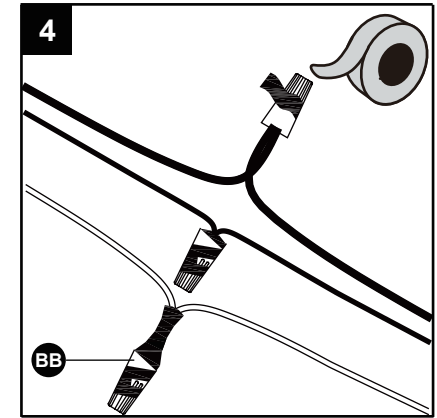


ASSEMBLY INSTRUCTIONS

4. Attach wire nuts (BB). Tape wire nuts (BB) and wires together.




Hardware Used

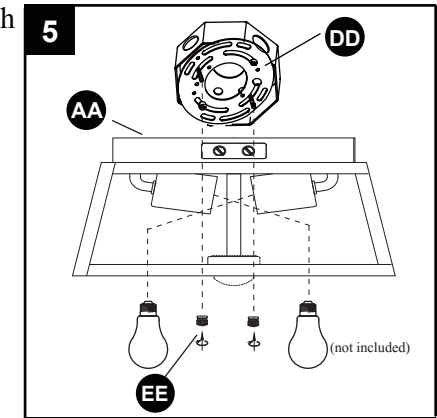
BB	Wire nut		x 3
-----------	----------	---	-----



5. Align the long mounting screws (AA) through the holes of the back plate, and fix them with screw nuts (EE).


Hardware Used

AA	Long mounting screw		x 2
DD	Mounting plate		x 1
EE	Nut		x 2



6. Make the central hole of the flat glass (B) to pass through the light control cap, and use the light control outer ring (C) to lock the glass plate (B).

Hardware Used

B	Flat Glass		x 1
C	Outer ring		x 1

