

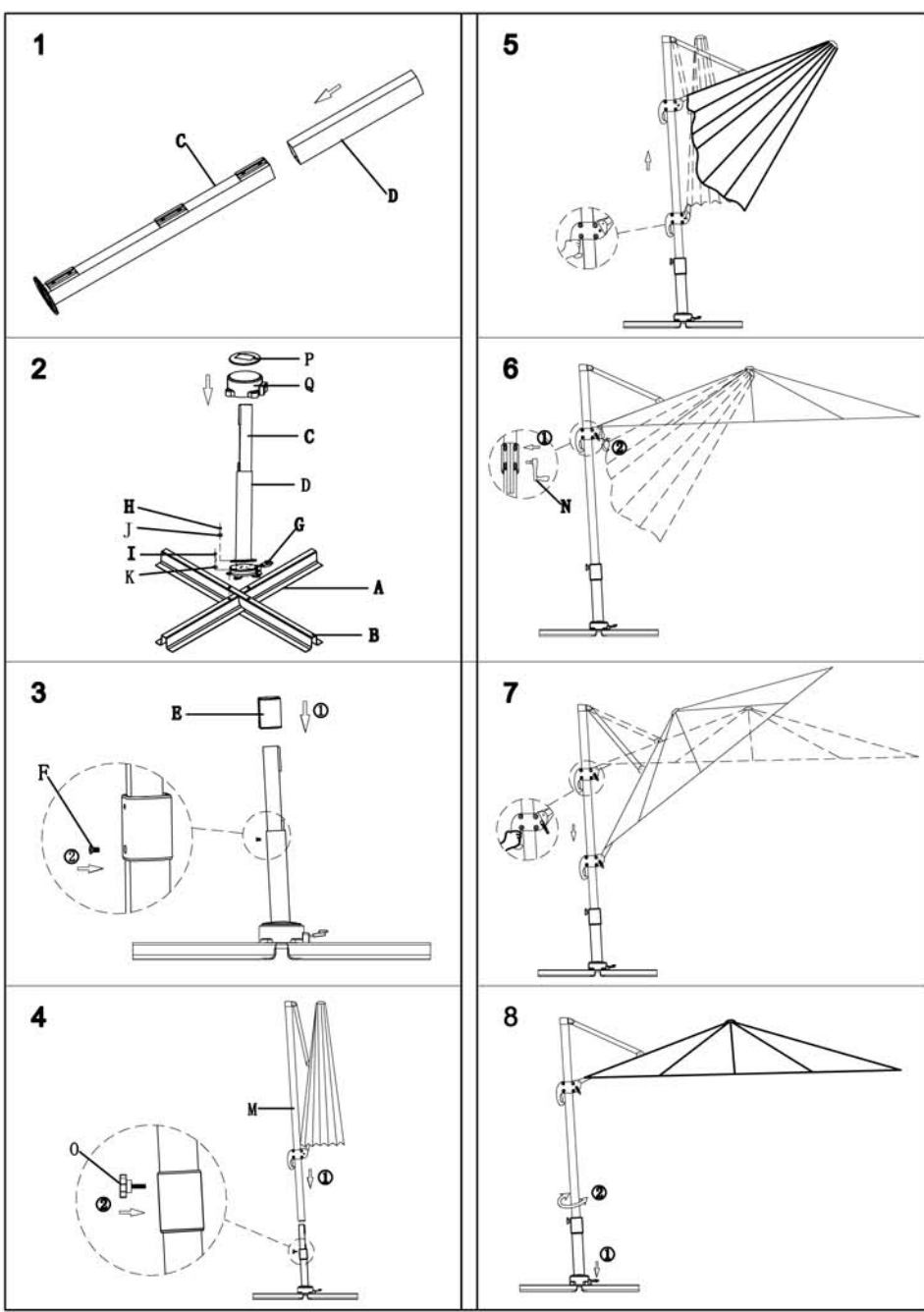
USER'S MANUAL
 10*10FT Roma Hanging Umbrella
 OP70233

THIS INSTRUCTION BOOKLET CONTAINS **IMPORTANT** SAFETY INFORMATION. PLEASE READ AND KEEP FOR FUTURE REFERENCE.

Before You Start

- ⦿ Please read all instructions carefully.
- ⦿ Retain instructions for future reference.
- ⦿ Separate and count all parts and hardware.
- ⦿ Read through each step carefully and follow the proper order.
- ⦿ We recommend that, where possible, all items are assembled near to the area in which they will be placed in use, to avoid moving the product unnecessarily once assembled.
- ⦿ Always place the product on a flat, steady and stable surface.
- ⦿ Keep all small parts and packaging materials for this product away from babies and children as they potentially pose a serious choking hazard.

PART	PICTURE	QTY	PART	PICTURE	QTY
A		1	I		4
B		1	J		4
			K		4
C		1	M		1
D		1	N		1
E		1	O		1
F		1	P		1
G		1	Q		1
H		4	R		1



- When there is a strong wind (>3bft) close the parasol to prevent it from falling.
- When opening the parasol give it a little help by pulling the ribs a bit apart from each other by hand. Then open up the parasol.