

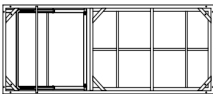
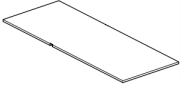
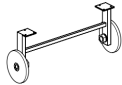
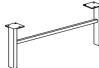




## CARE AND MAINTENANCE

Dust with a dry cloth. Do not use abrasive cleaner. Use glass cleaner to clean surface of tabletop.

## NOTICE

- \* Please make sure that you have all parts indicated before you begin assembly of this item
- \* This item should be assembled on a soft surface to prevent scratching the finish during assembly
- \* This item may require periodic tightening

## Part List and Hardware List

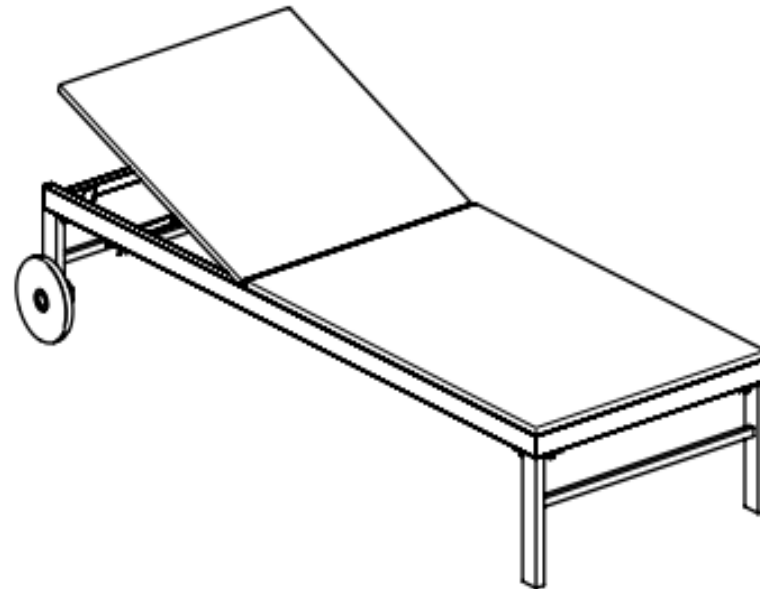
PIECE	DESCRIPTION	PICTURE	QUANTITY
A	Seat Part		1X
B	Cushion		1X
C	Leg 1		1X
D	Leg 2		1X
HW1	Screw (M6*10mm)		12X
HW2	Spring Washer		12X
HW3	Flat Washer		12X
HW4	Allen Key		1X

Product Dimensions: W28.7"D72.8 x 13.8"/33.5"H

**Weight Capacity : 300 lbs**

**Warning : Do not stand on lounge chair**

**Warning : Do not over torque bolts**



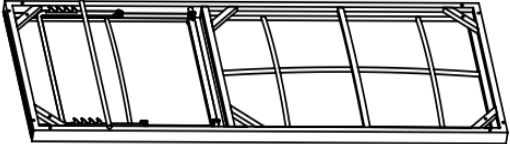
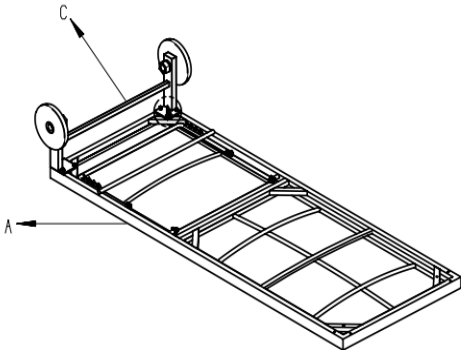
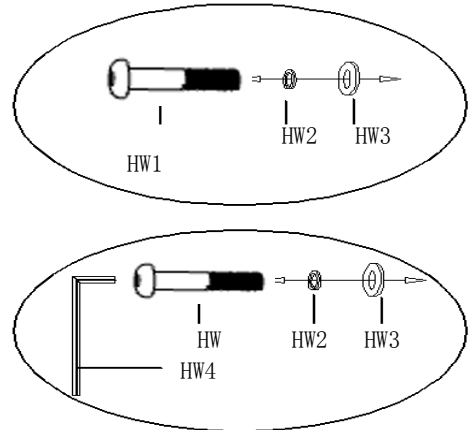
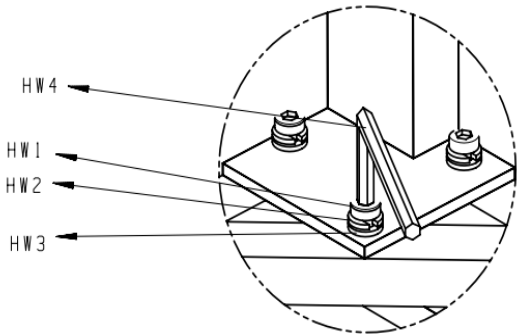
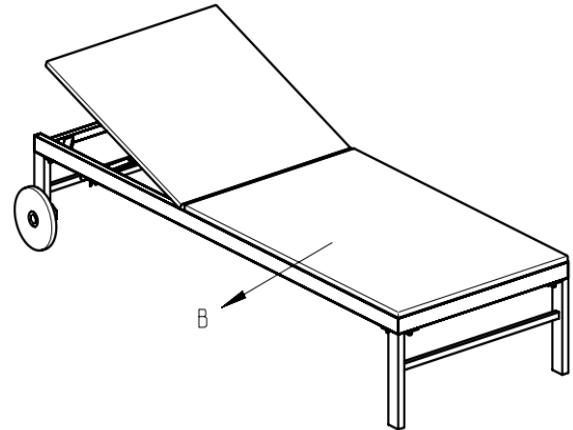
## PREPARATION

Before beginning assembly of product, make sure all parts are present. Compare parts with package contents list and hardware contents list.

If any part is missing or damaged, do not attempt to assemble the product.

Estimated Assembly Time: 8 minutes.

Tools Required for Assembly (included): Allen Key

		
<p><b>STEP1</b> PLACE SEAT PART (A) FACE DOWN ON A SMOOTH FLOOR</p>	<p><b>STEP2</b> INVERT LEG (C) AND ALIGN HOLE TO THREAD OPENING OF SEAT PART (A)</p>	<p><b>STEP3</b> PUT THE WASHERS ON THE BOLT IN THE ORDER SHOWN IN THE PICTURE</p>
		
<p><b>STEP4</b> USE SCREW (HW1) AND SECURE BOLTS TIGHTLY BUT DON'T TIGHTEN COMPLETELY</p>	<p><b>STEP5</b> REPEAT STEPS 3-4 FOR LEG ( D) AS INDICATED IN PICTURE ABOVE</p>	<p><b>STEP6</b> PUT THE CUSHION (B) ON THE SUN LOUNGERS</p>