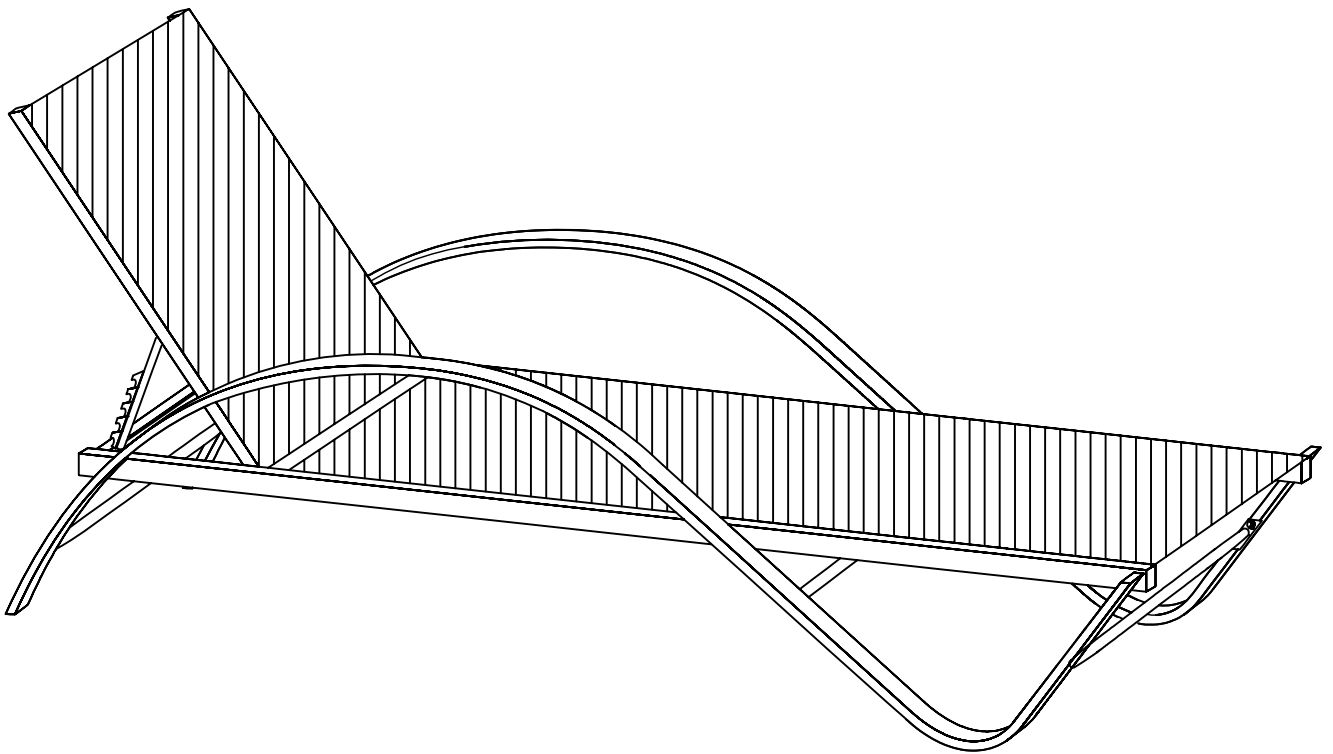


Lounge



IMPORTANT

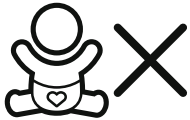
Please follow the instruction manuals and use a pad to avoid damage during assembly.

Thank you for shopping with us!

We appreciate your purchase and are ready to be at your service!

If you find parts missing, broken, or hard to put together or when you are not satisfied or have any valuable suggestions, please do not hesitate to contact us first!

We will definitely give you a satisfactory solution or answer then!



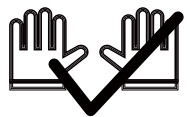
Not intended for use by children. Please keep your children closely supervised.



Keep away from fire or other heat sources.



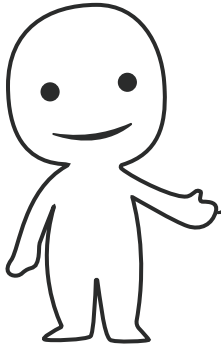
Do not use harsh cleaner for cleaning!



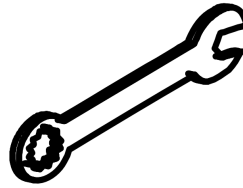
We recommend wearing protective gloves for assembly.



Identify, sort and count the parts before assembly.



Please prepare the following tools



When installing, please carefully confirm whether each screw corresponds to the manual, accessories with similar shapes can be distinguished by size

Ⓕ x 24



M6 x 15 mm

Ⓖ x 16

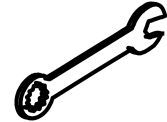


M6 x 35 mm

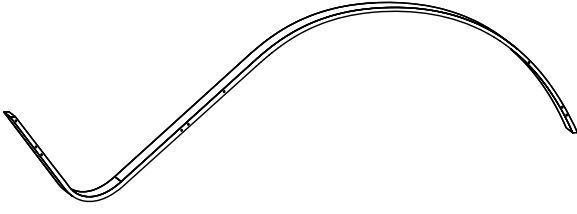
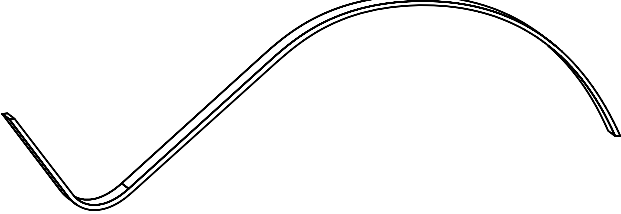
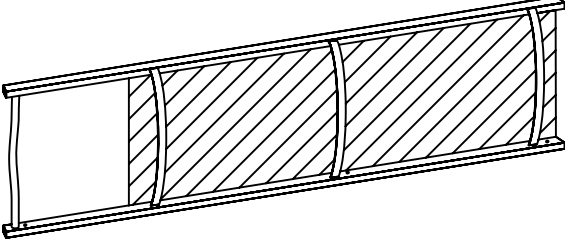
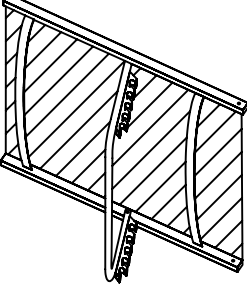
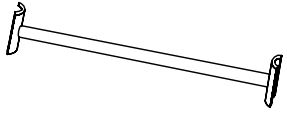
Ⓗ x 40

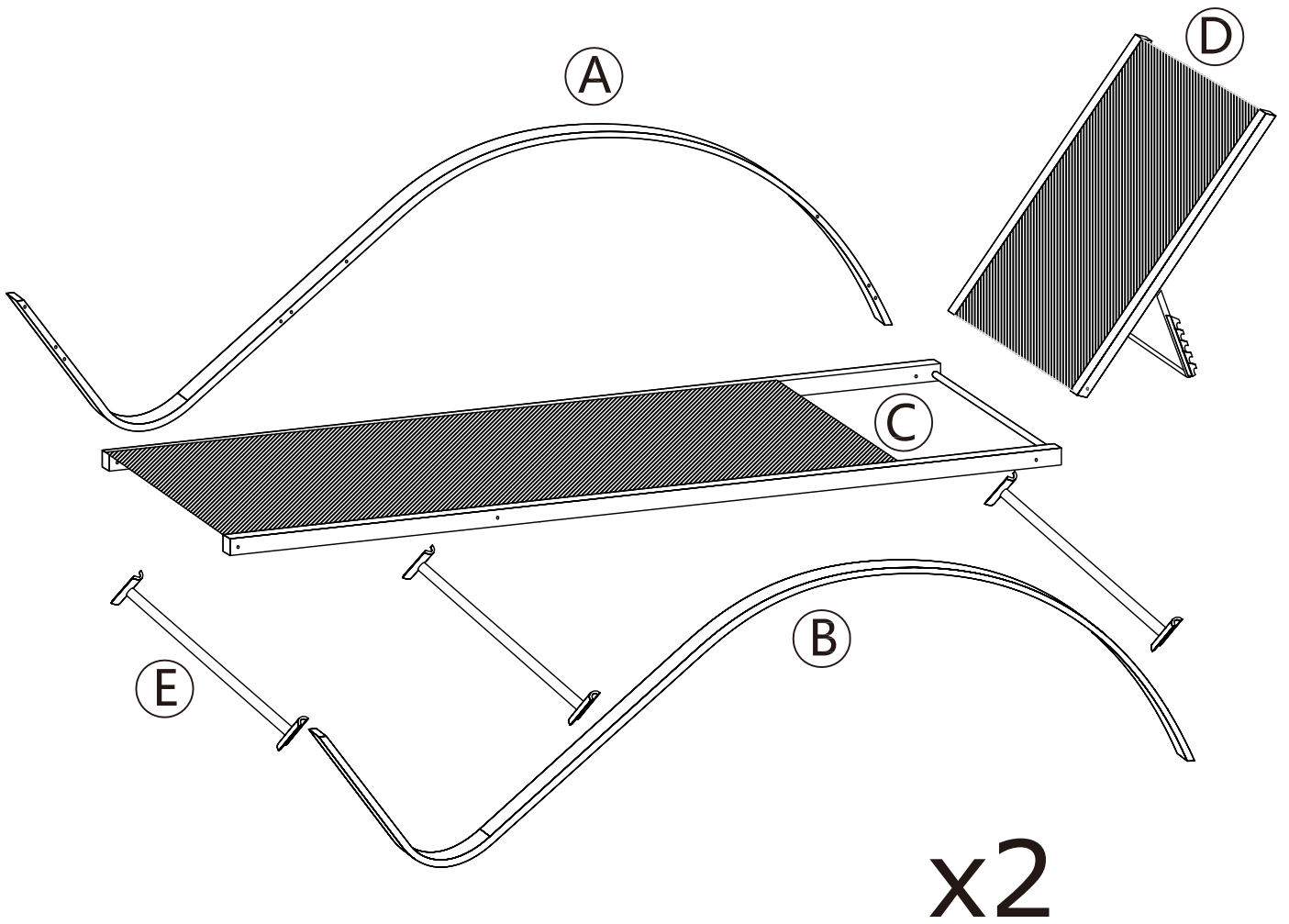


Ⓘ x 1






M6

| | |
|---|--|
|  |  |
| <p>Ⓐ RIGHT 2PCS</p> | <p>Ⓑ LEFT 2PCS</p> |
|  |  |
| <p>Ⓒ SEAT 2PCS</p> | <p>Ⓓ BACK 2PCS</p> |
|  | |
| <p>Ⓔ SUPPORT BAR 6PCS</p> | |

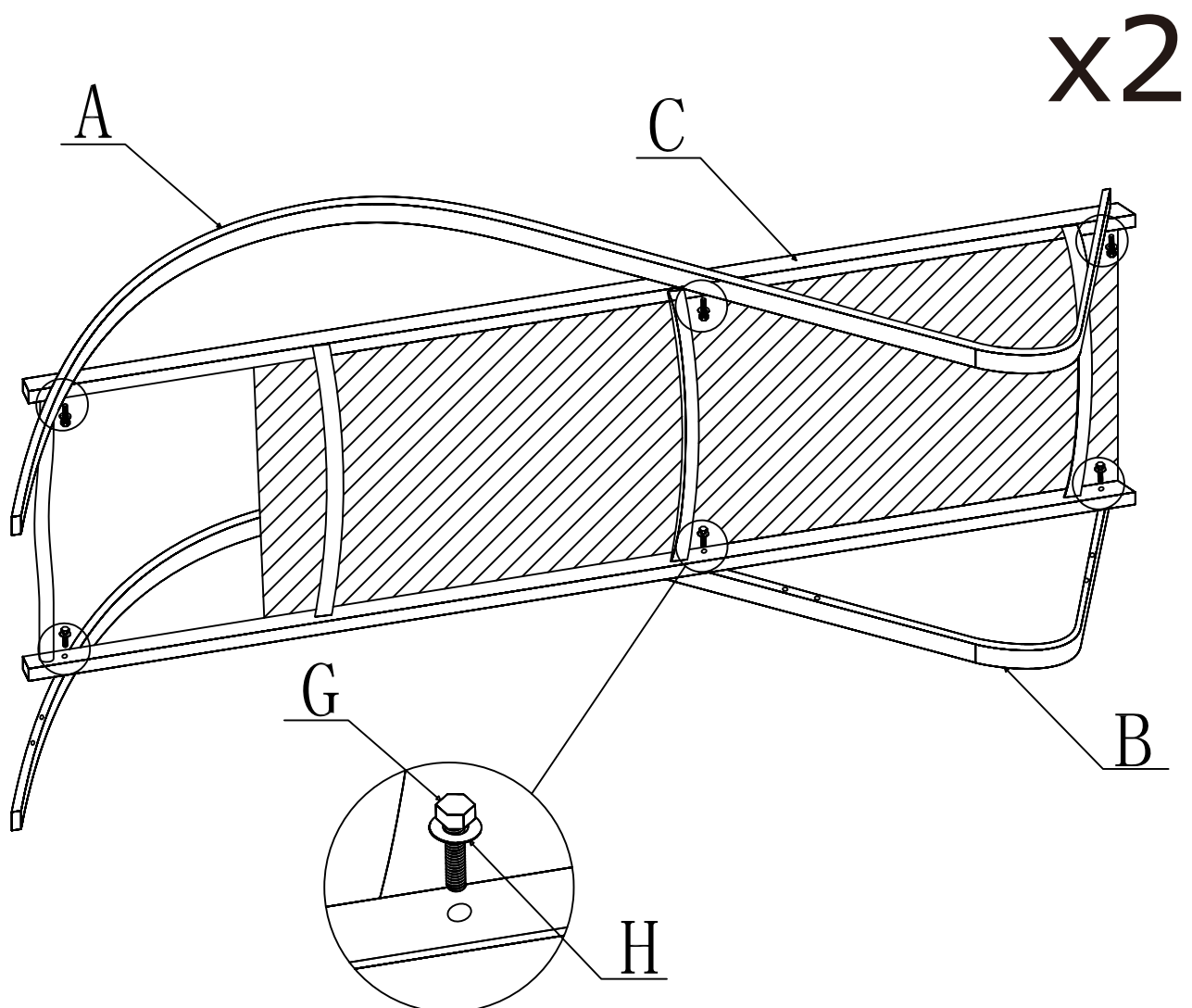


STEP 1




| | | | |
|--|--|--|--|
| <p>Ⓒ x 6</p>  <p>M6 x 35 mm</p> | <p>Ⓗ x 6</p>  | <p>Ⓘ x 1</p>  | |
|--|--|--|--|

Fix part C with part A and part B with six M6x35mm Screws (G) and Flat Washers (H). Use Wrench (I).

DO NOT FULLY TIGHTEN.

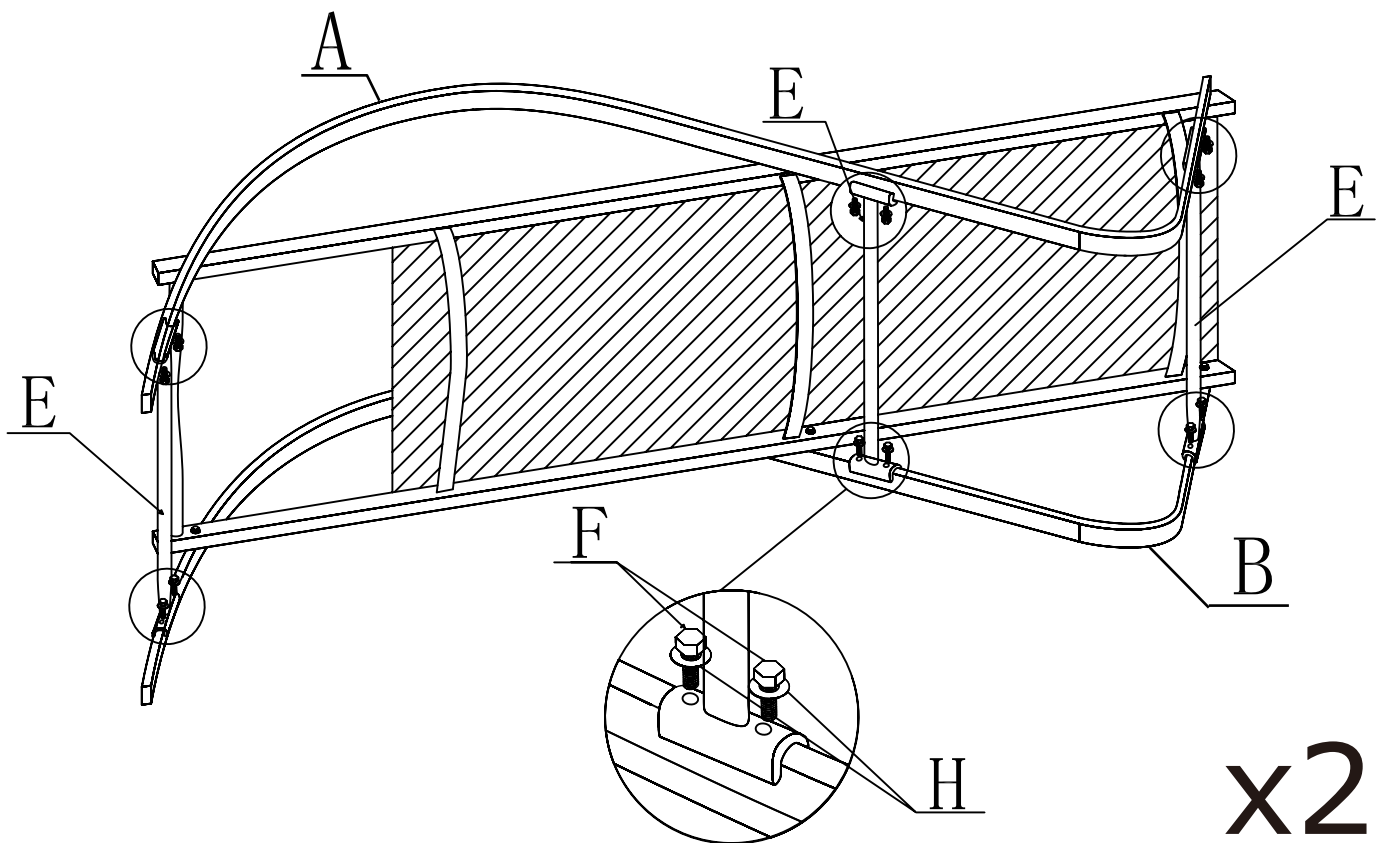


STEP 2



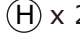

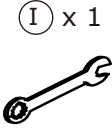
| | | | |
|---|---|--|--|
| ⓕ x 12  M6 x 15 mm | ⓓ x 12  | ⓐ x 1  | |
|---|---|--|--|

Fix part E with part A and part B with twelve M6x15mm Screws (F) and Flat Washers (H). Use Wrench (I).

DO NOT FULLY TIGHTEN.

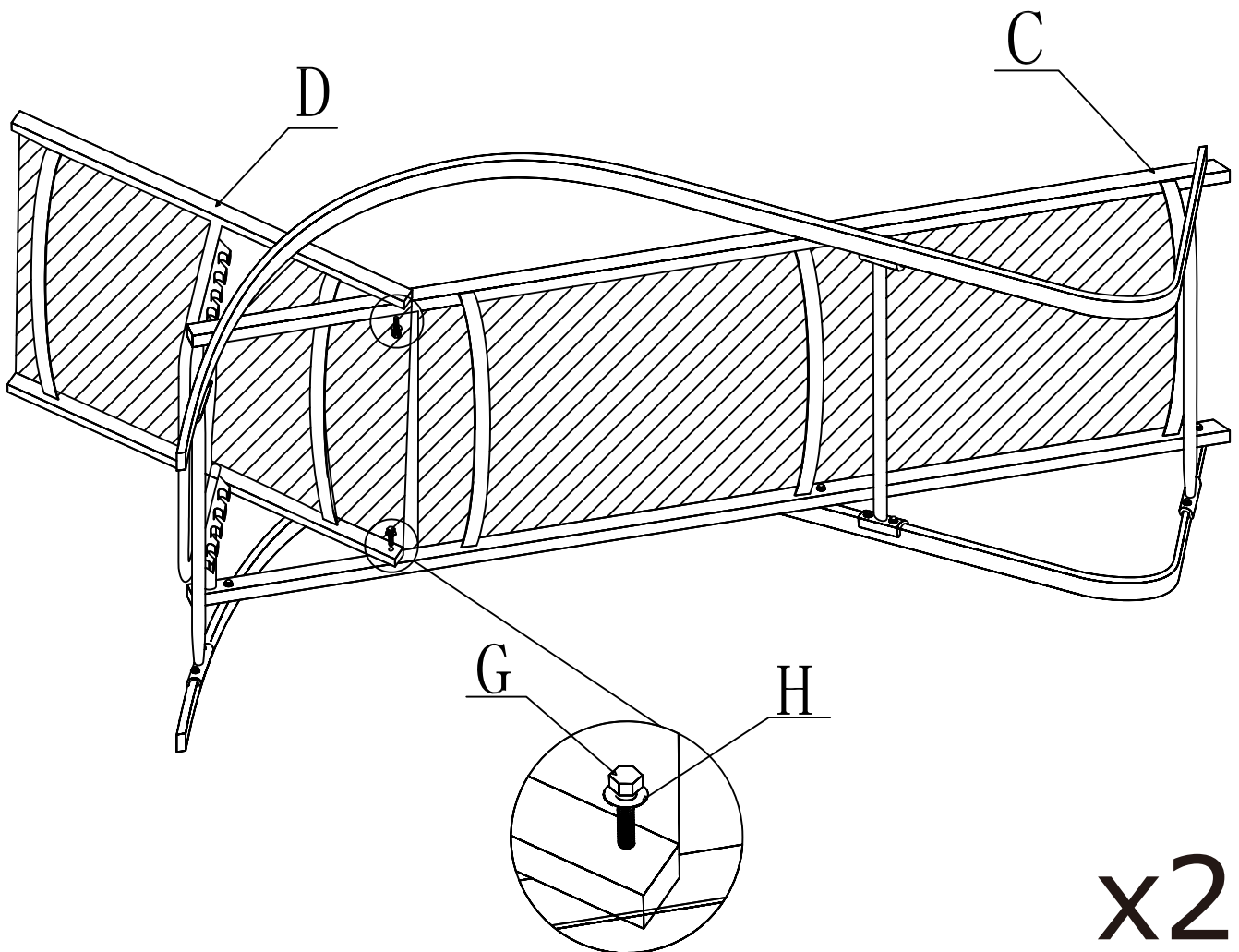


STEP 3

| | | | |
|--|--|---|--|
|  (G) x 2  M6 x 35 mm |  (H) x 2  |  (I) x 1 | |
|--|--|---|--|

Fix part D with part C with two M6x35mm Screws (G) and Flat Washers (H). Use Wrench (I).

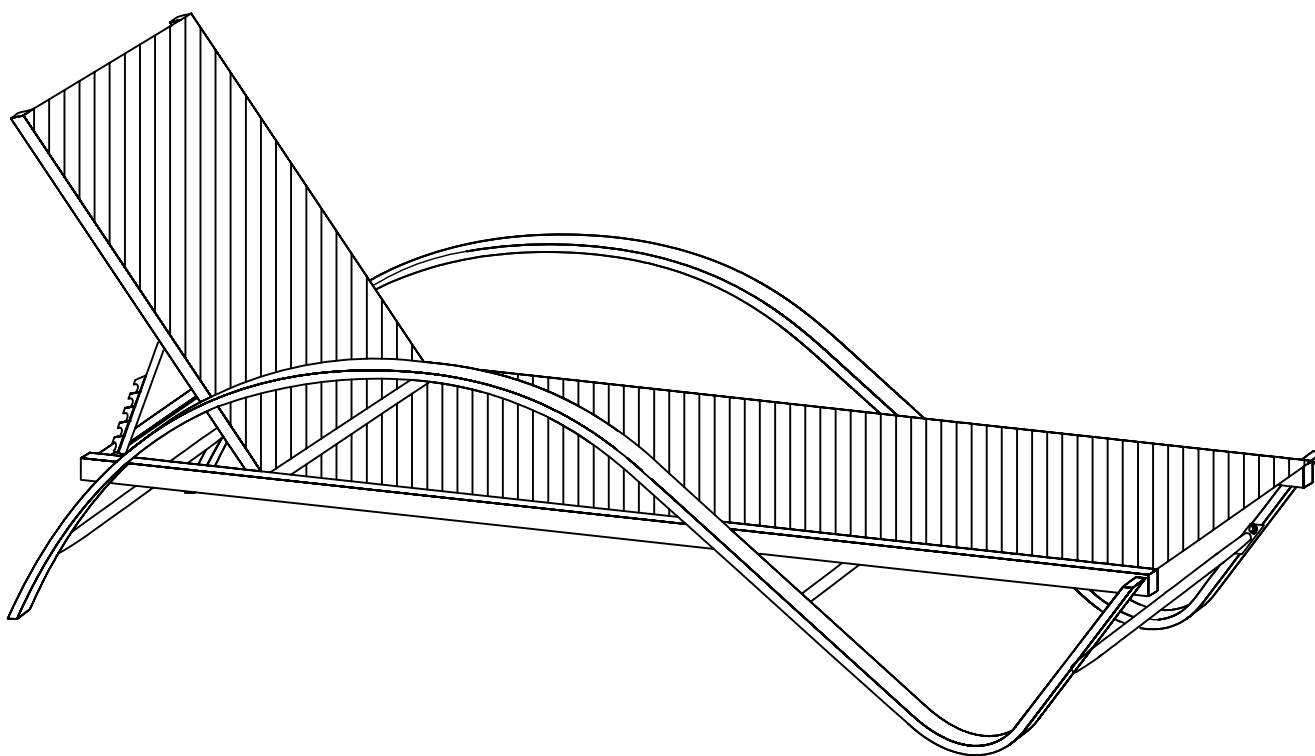
DO NOT FULLY TIGHTEN.



STEP 4



**Adjust alignments and NOW
TIGHTEN ALL SCREWS with Wrench (I).**



x2

Installation Completed