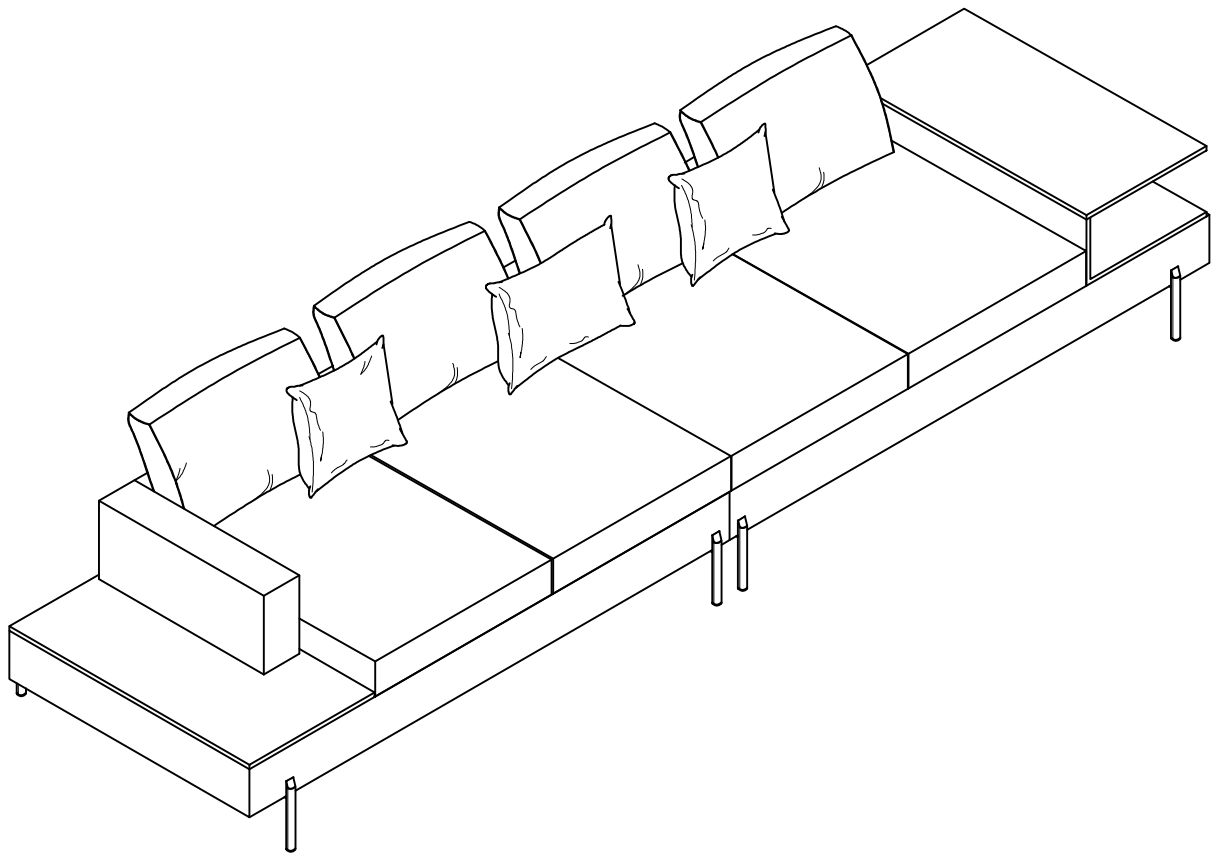
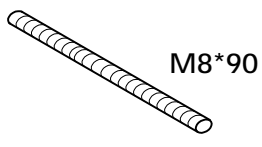


ASSEMBLY INSTRUCTIONS

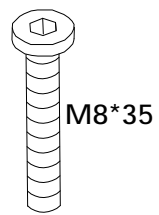
The compression must wait 72 hours before unfolding, and you need to pat it with your hands. The maximum weight of each seat is 250 pounds.



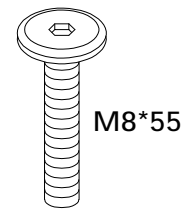
parts list



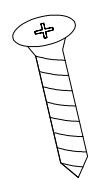
A1:Double-headed screw 10pcs



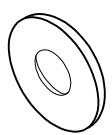
A2:Foot mounting screw 8pcs



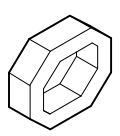
A3:screw 7pcs



A4:Screw 32pcs



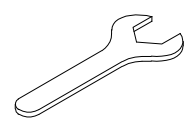
A5:Spacer 25pcs



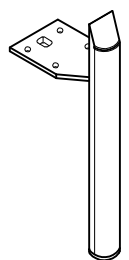
A6:Nut 17pcs



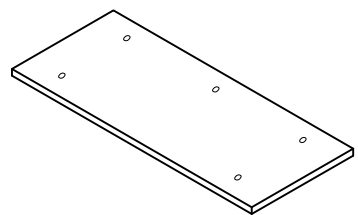
A7:Plastic feet 1pcs



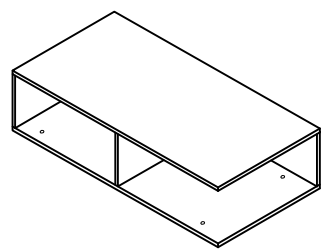
A8:Spanner 1pcs



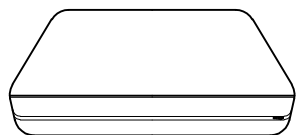
B1:Metal feet 8pcs



B2:Armrest lower plate 1pcs



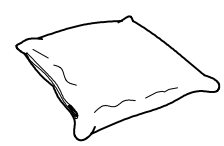
B3:Wooden box 1pcs



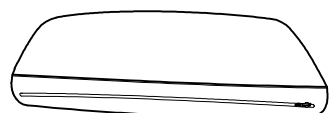
C1:Sitting bag 4pcs



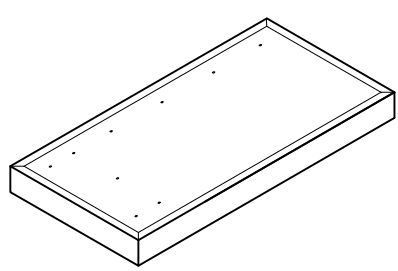
C2:Pillow 1pcs



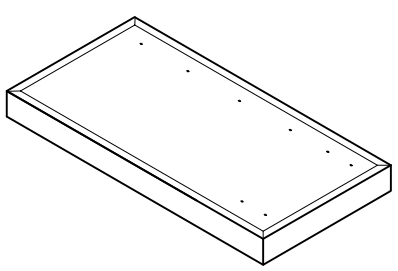
C3:Pillow 2pcs



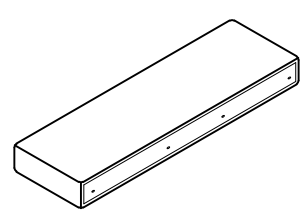
C4:Rely on bags 4pcs



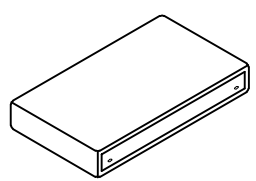
D1:Left cradle 1pcs



D2:Right cradle 1pcs



D3:Back 2pcs

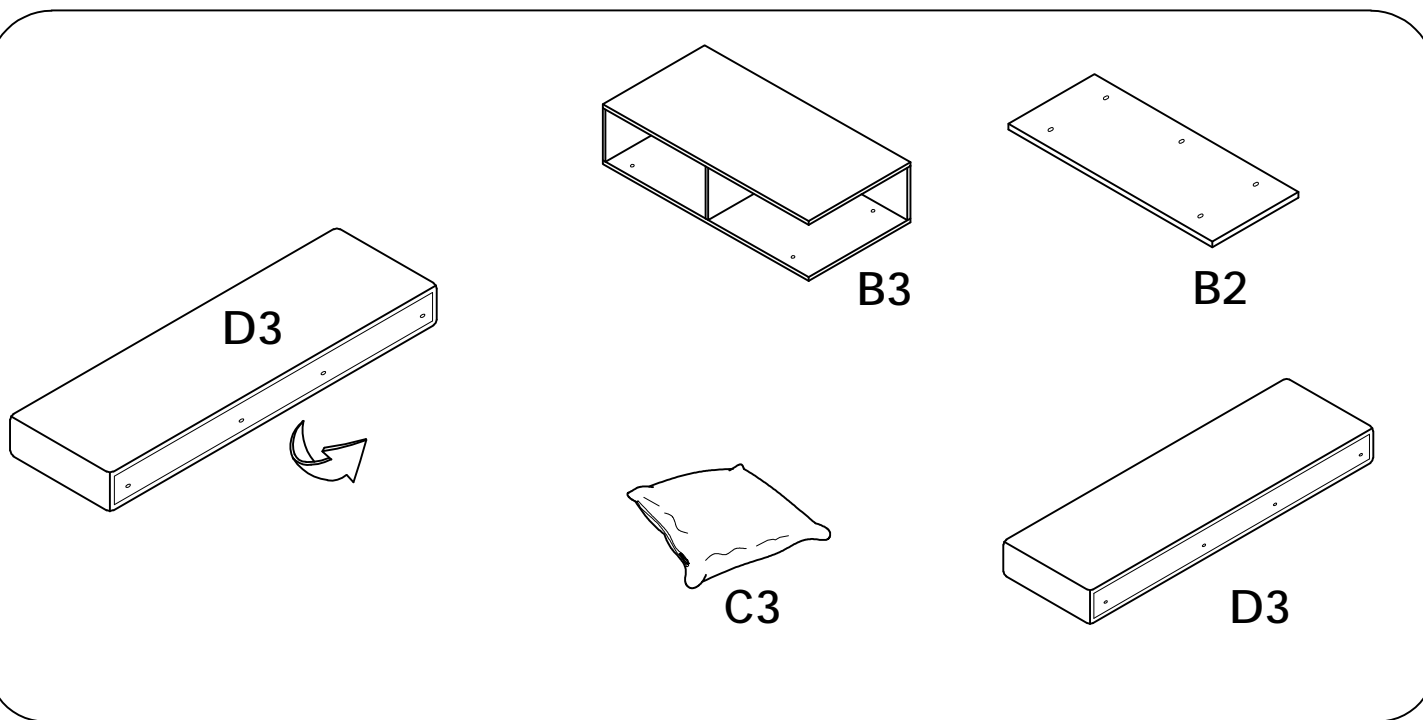
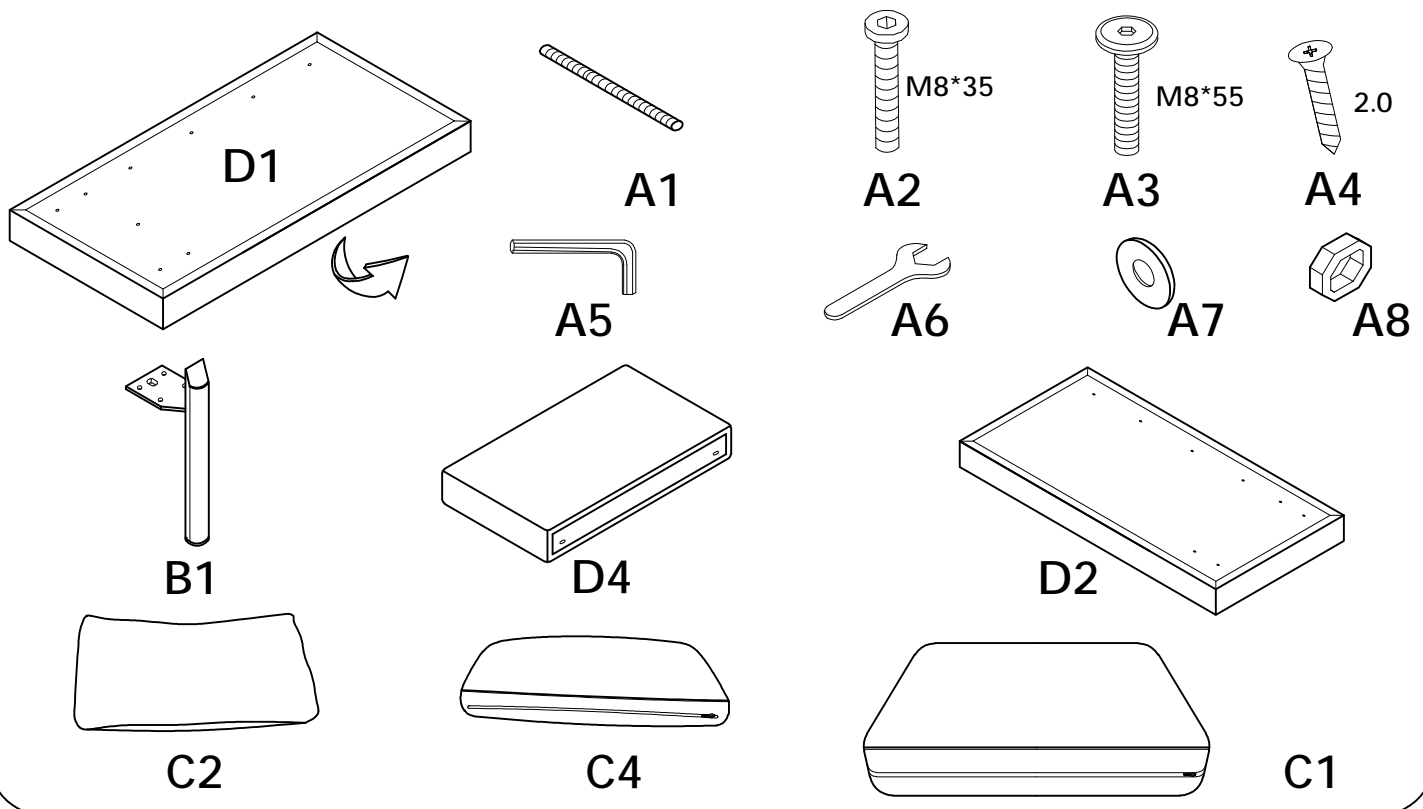


D4:Handrail 1pcs

packing list

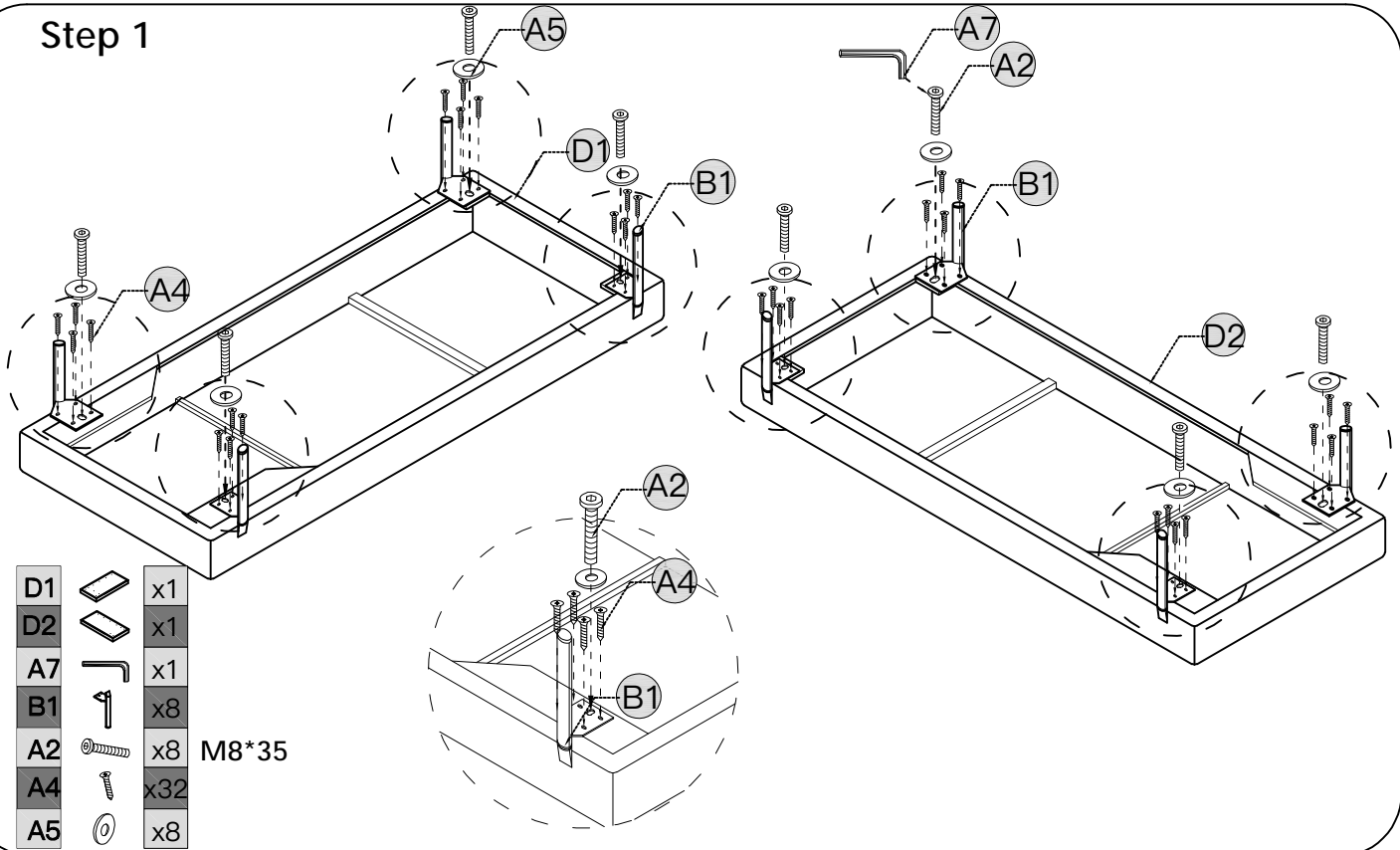
Note

Note: The package is as follows.

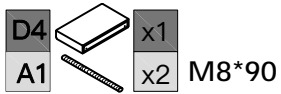
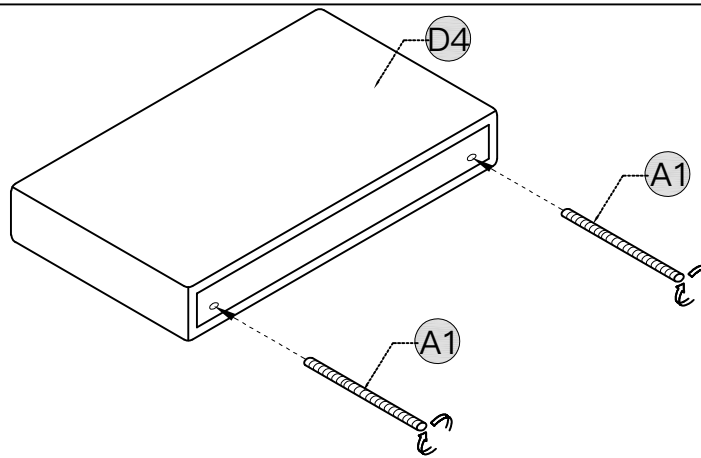


Installation method

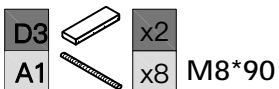
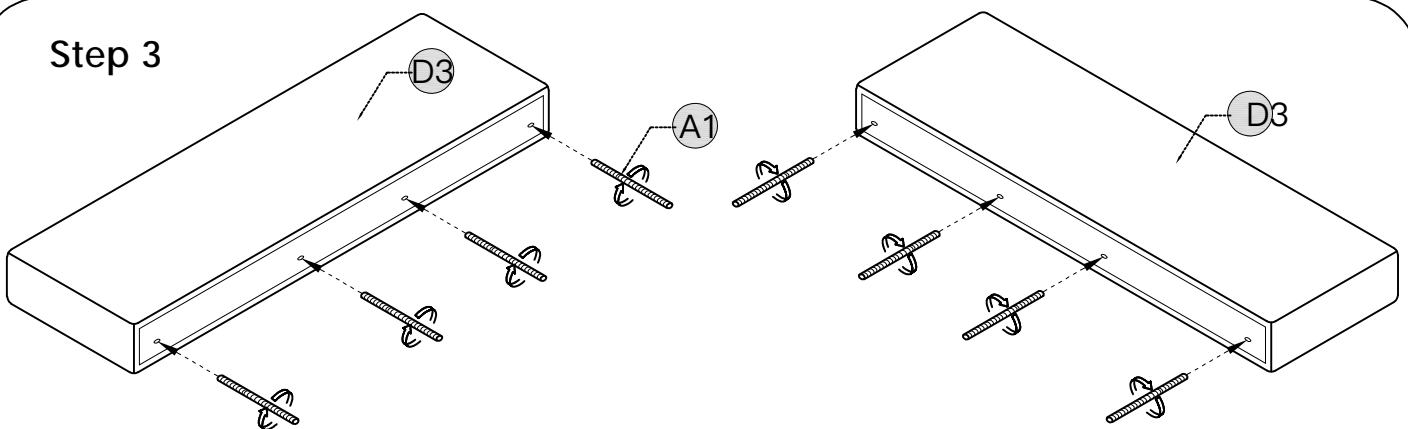
Step 1



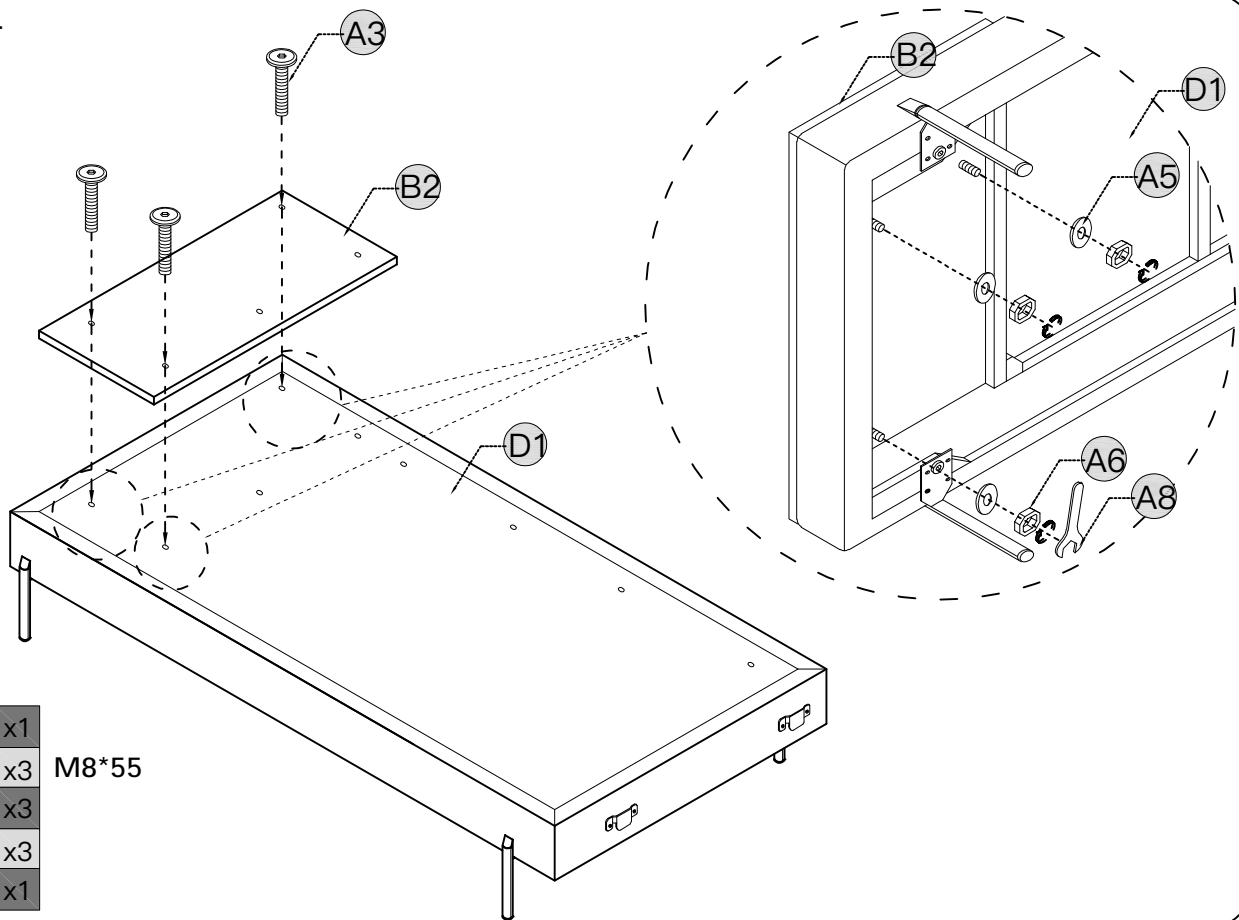
Step 2



Step 3

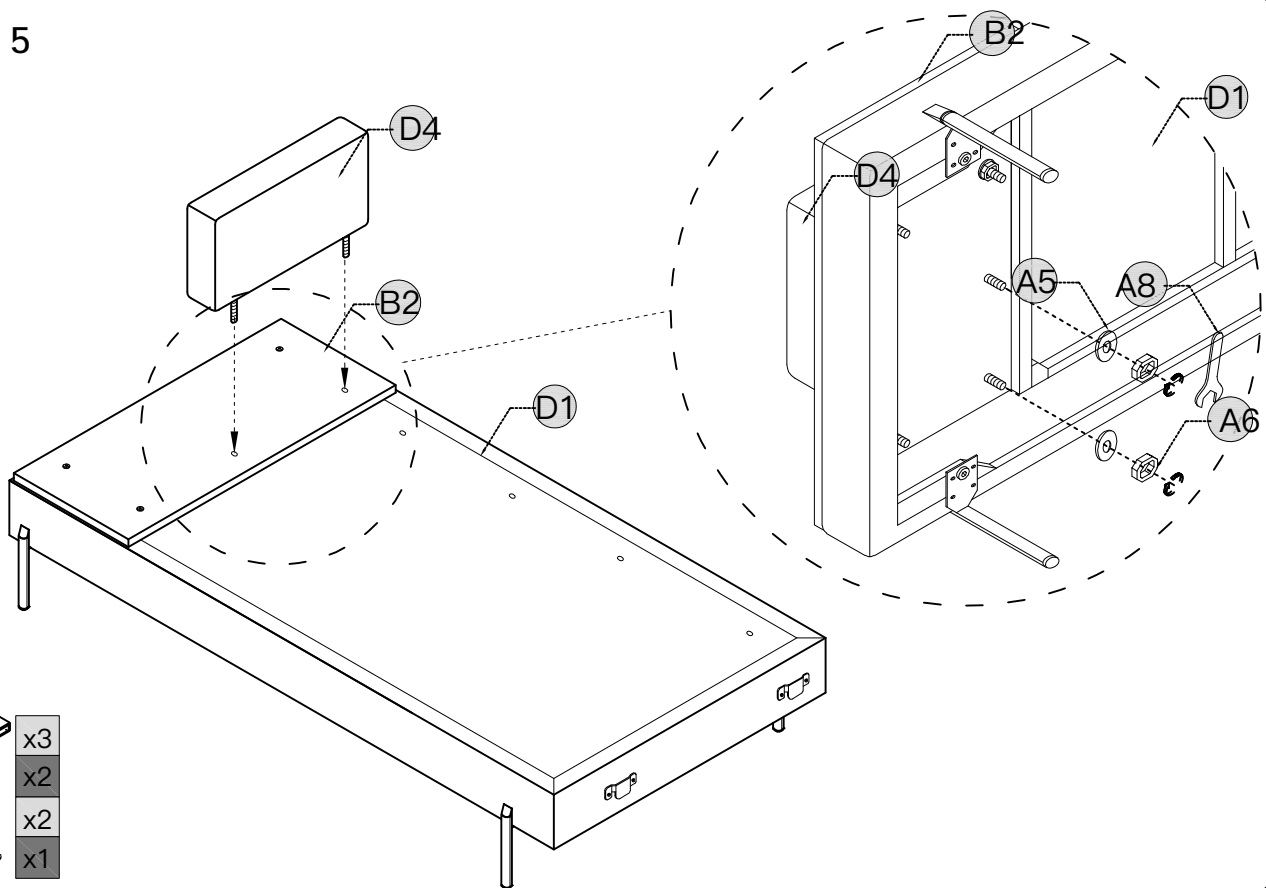


Step 4



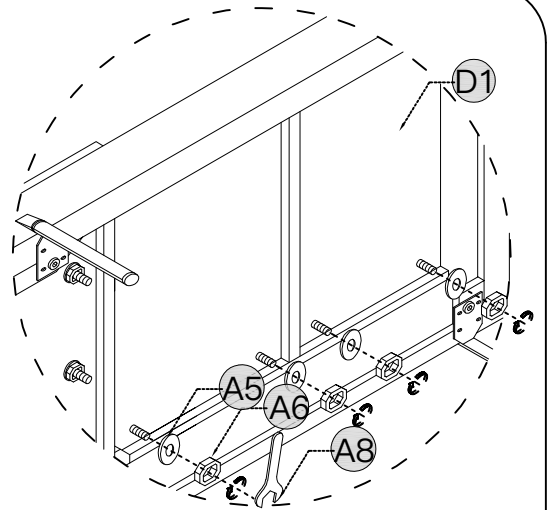
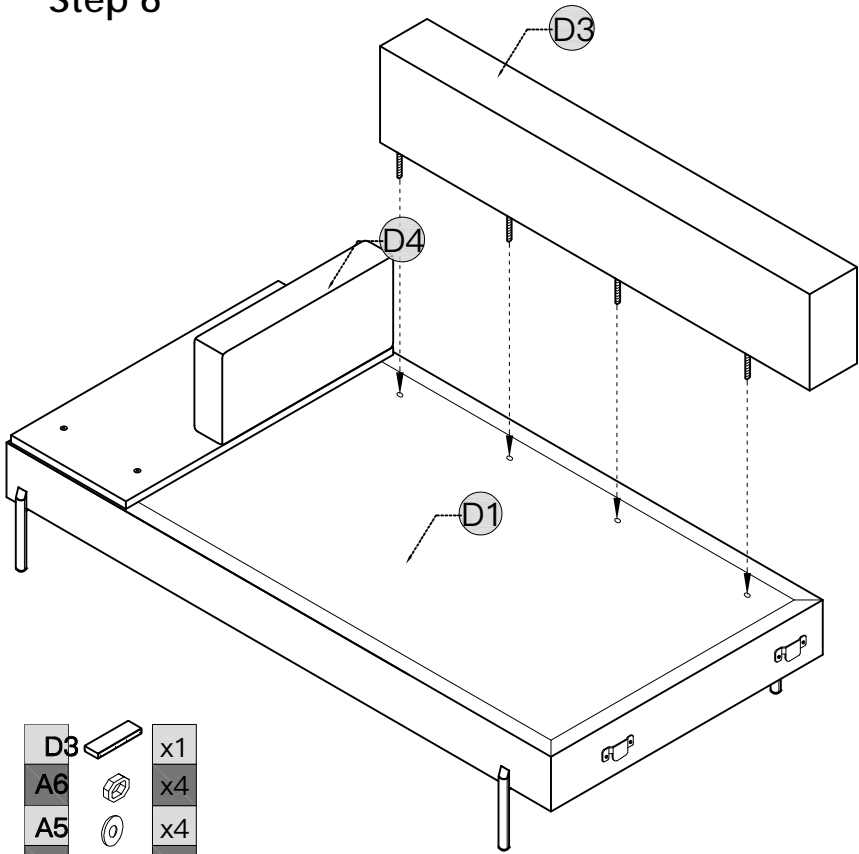
B2		x1	
A3		x3	M8*55
A6		x3	
A5		x3	
A8		x1	

Step 5



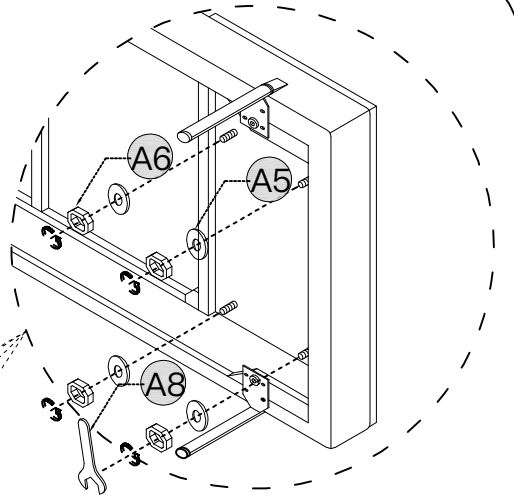
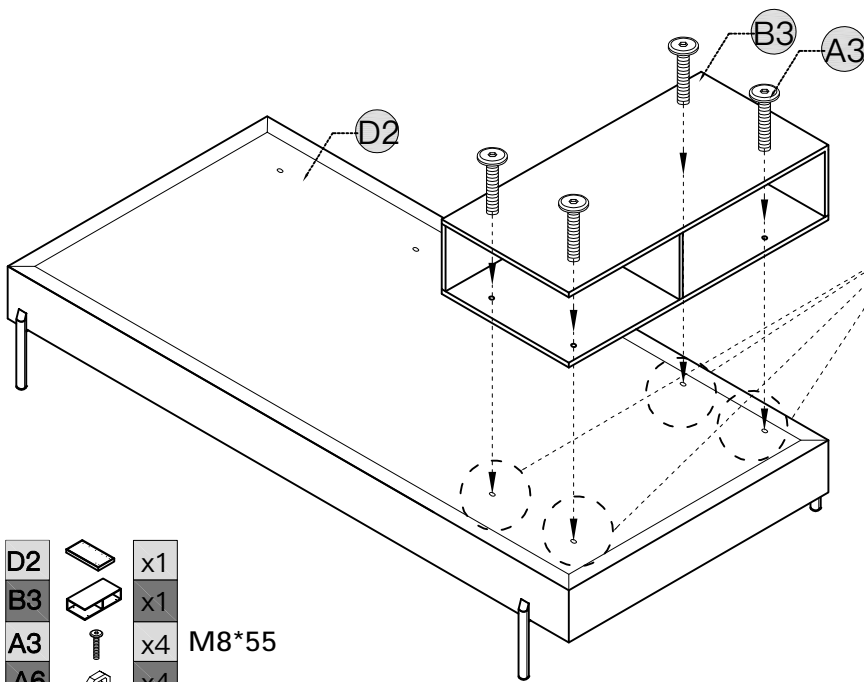
D4		x3	
A6		x2	
A5		x2	
A8		x1	

Step 6



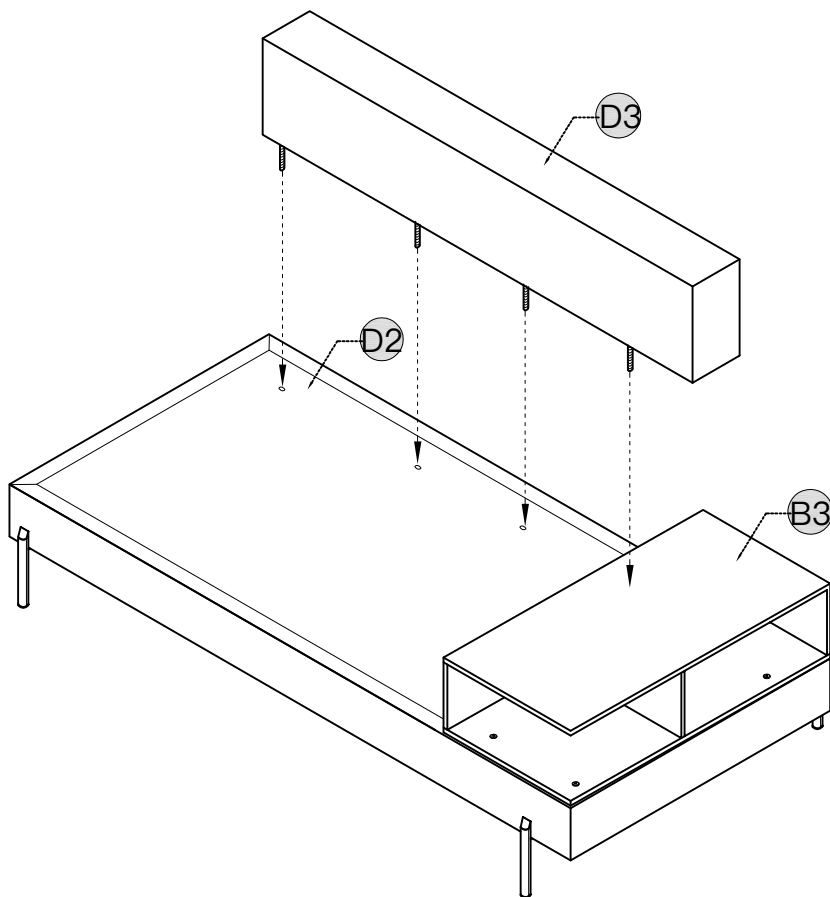
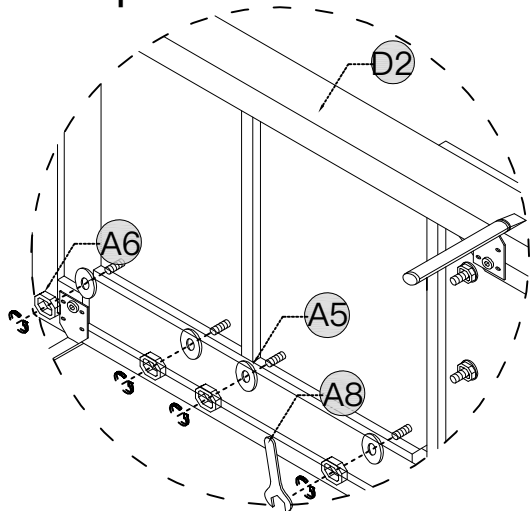
D3		x1
A6		x4
A5		x4
A8		x1

Step 7



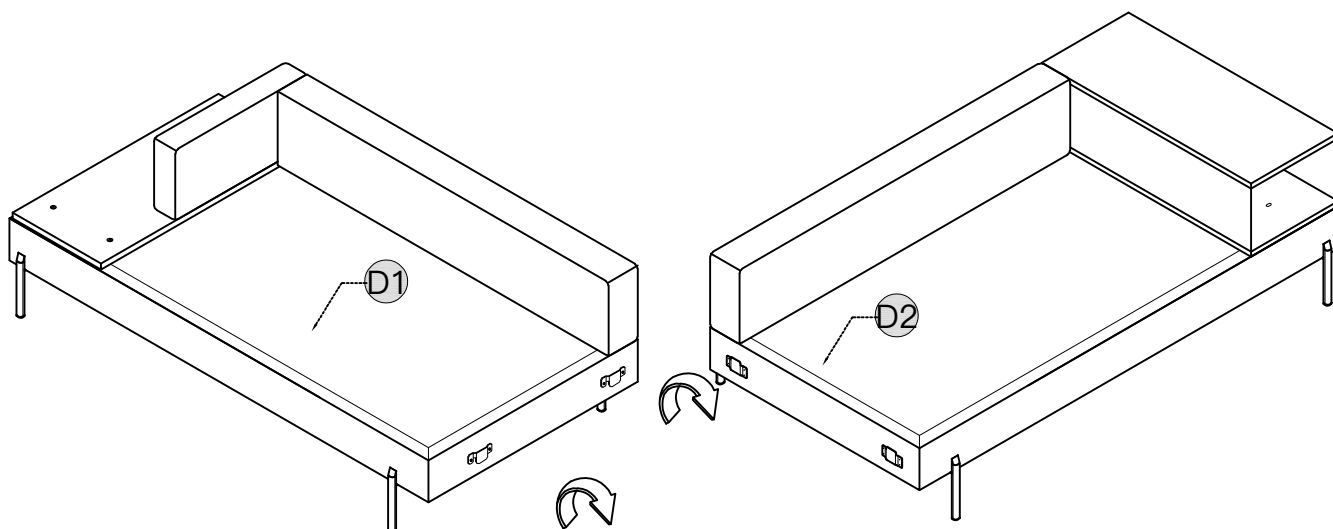
D2		x1
B3		x1
A3		x4 M8*55
A6		x4
A5		x4
A8		x1

Step 8

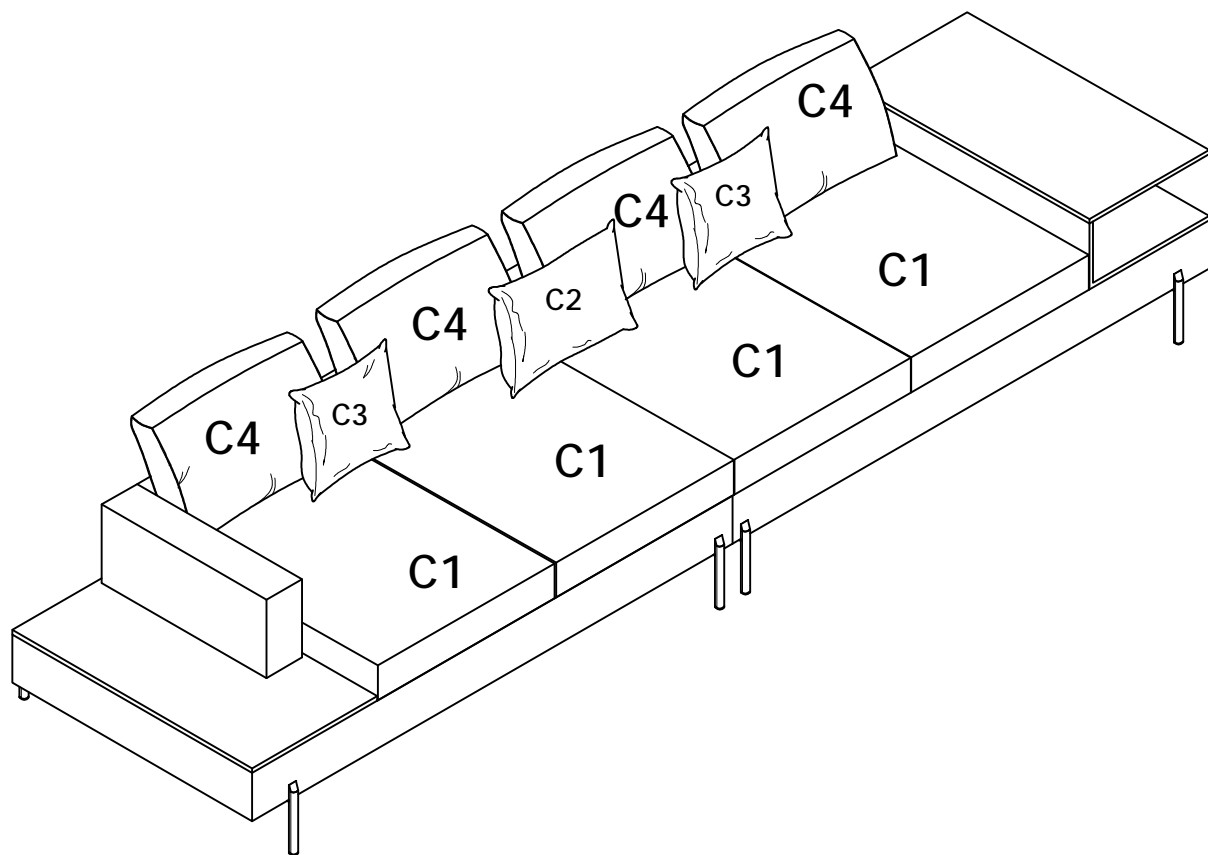


D3		x1
A6		x4
A5		x4
A8		x1

Step 9



Step 10



Assembly completed!

Please enjoy the sofa