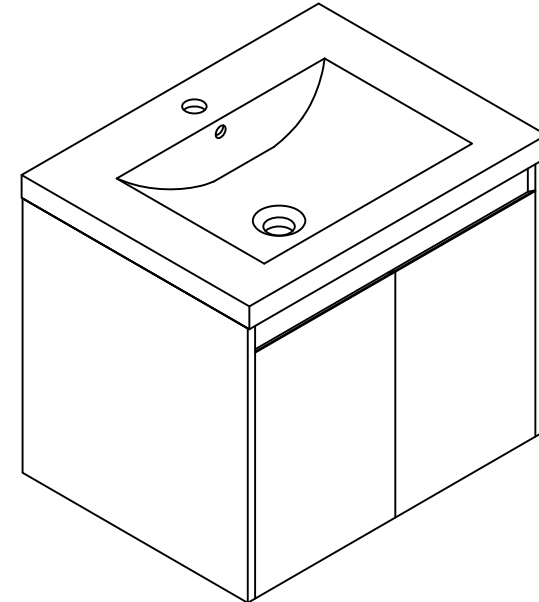


THANKS FOR WATCHING

Your feedback is invaluable to us and we would love to hear about your experience. Please take the time to leave us a review.



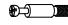







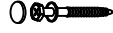


Thank you for shopping with us!

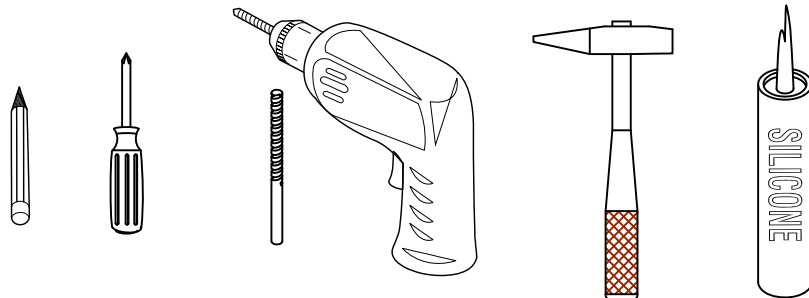
We encourage you to take a few minutes to go through this booklet. It contains important information on installation and care tips to keep your furniture looking as good as new.

Item NO.:BV B120 A24

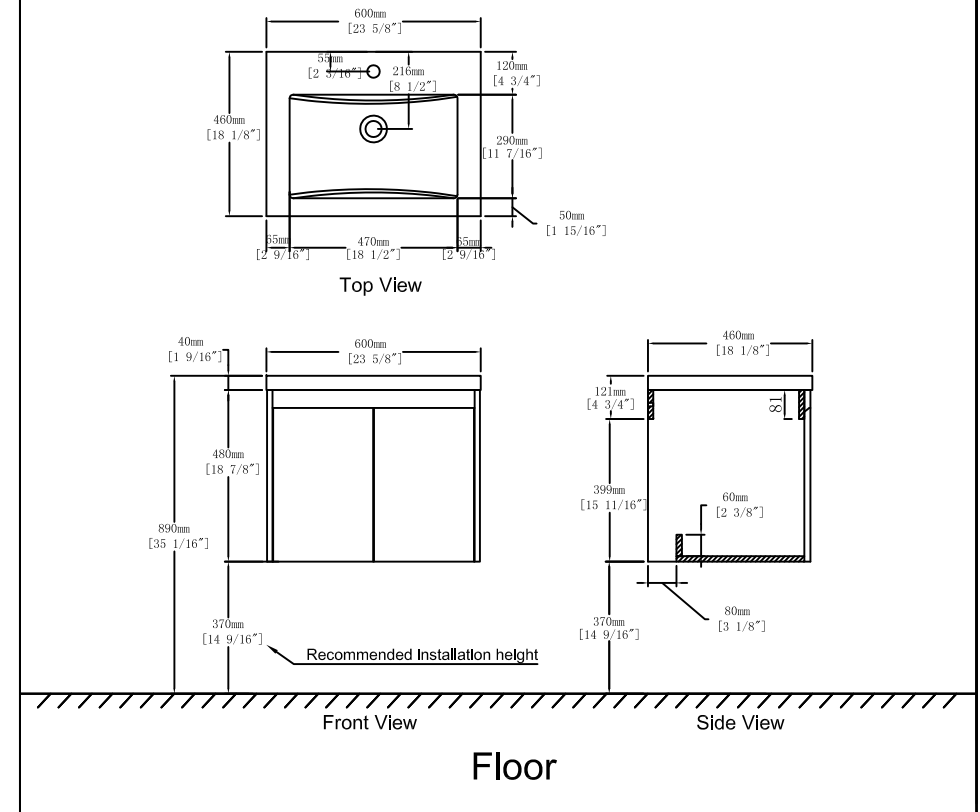
Hardware

NO.	Draw	QTY	NO.	Draw	QTY
A	 Screws Ø4x14mm	44	G	 Bracket (53x70x44mm)	2
B	 Two-in-one connector	17	H	 Bracket (19x19x35mm)	2
C	 Two-in-one connector	17	I	 Hinges(Internal hiding)	4
D	 Wood plug	4	J	 Anti-collision gasket	4
E	 Plastic anchor(Ø10mm)	2	K	 Screwdriver	1
F	 Screws for fix on the wall	2			

Recommended tools



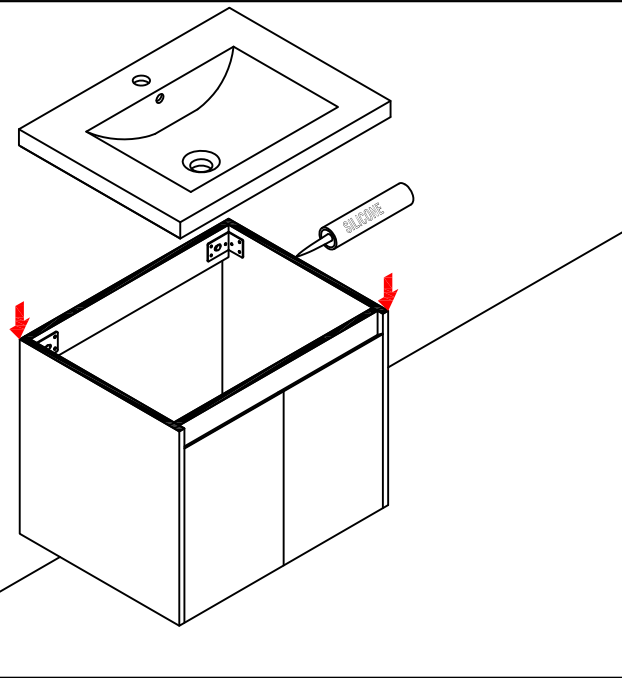
Dimensions



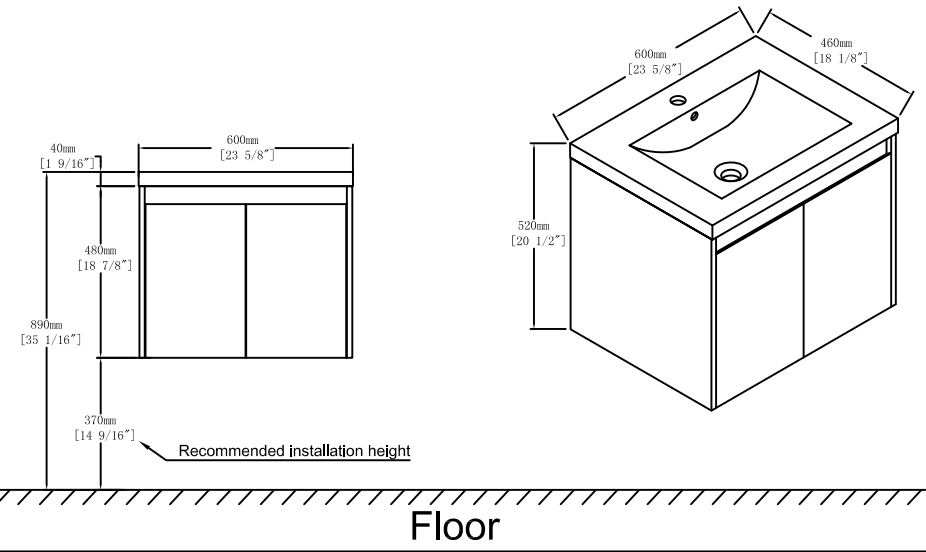
CARE CLEANING AND MAINTENANCE

- 1.Dust regularly with a soft , dry cloth.
- 2.Avoid the use of all chemicals household cleaners, abrasives, or cleaners that contain lemon, vinegar, or other acids that may damage the finish.
- 3.Excessive exposure to sunlight and extreme changes in temperature and moisture can damage wood furniture.
4. The sink is fragile, please pay attention to maintaining its appearance.
- 5.Do not place hot appliances, such as curling irons and hot hair dryers directly on the countertop. Wipe spills immediately.

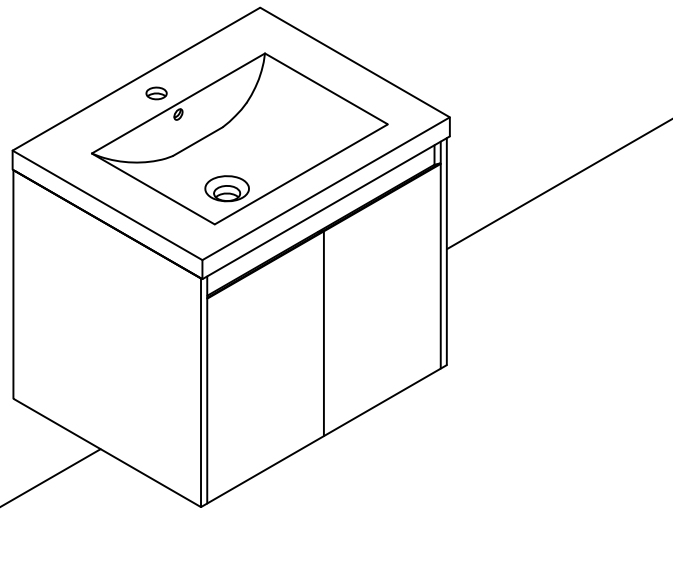
Step 13



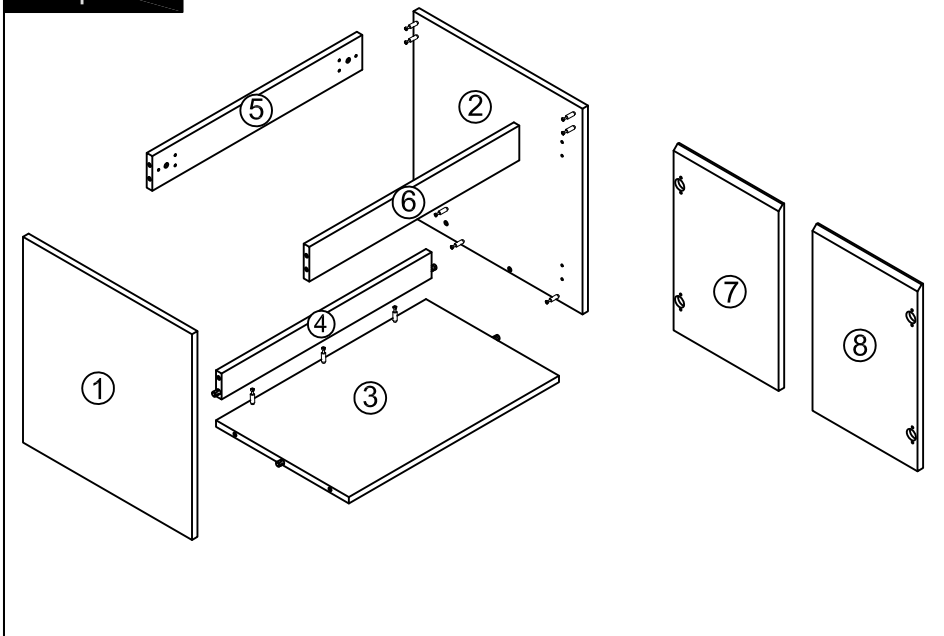
Dimensions



Finished



Components



Step 1

Notes: Screw installation depth as shown

Attention: Cam lock arrow point to the steel rod.

	x3
B	
	x3
C	
K	

Step 2

Note: The D parts are used for these two holes

	x3
B	
	x3
C	
	x2
D	
K	

first step second step third step

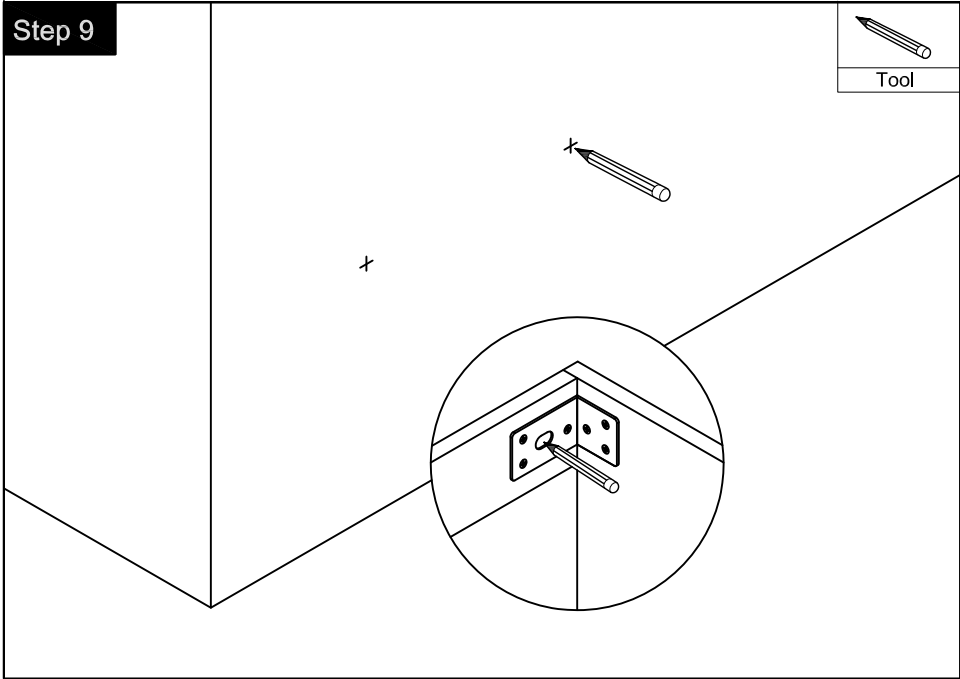
Step 11

	x2
E	
Tool	

Step 12

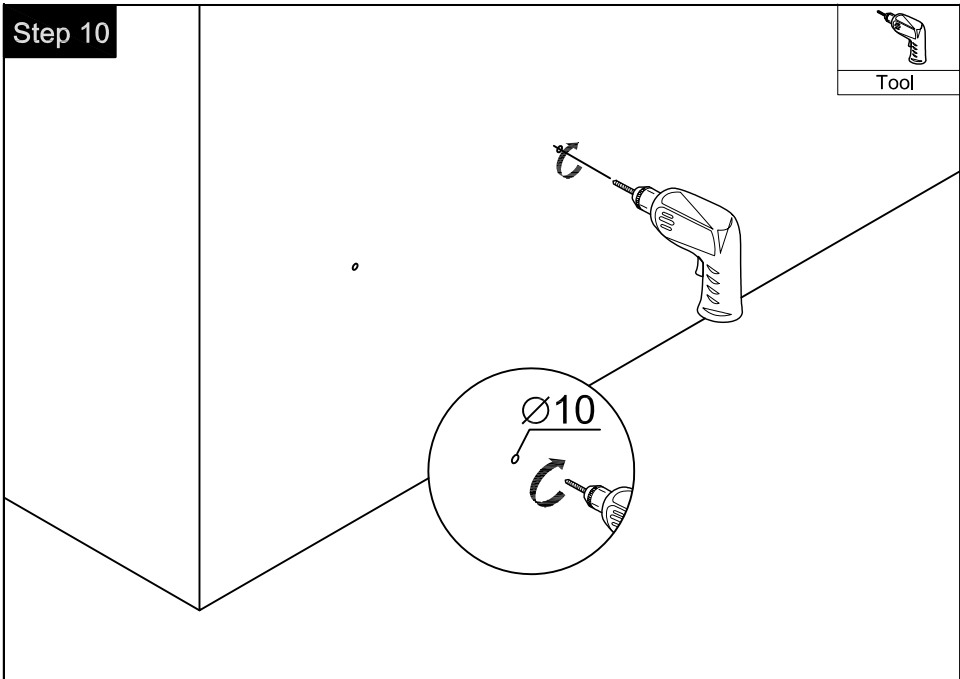
	x2
F	
Tool	

Step 9



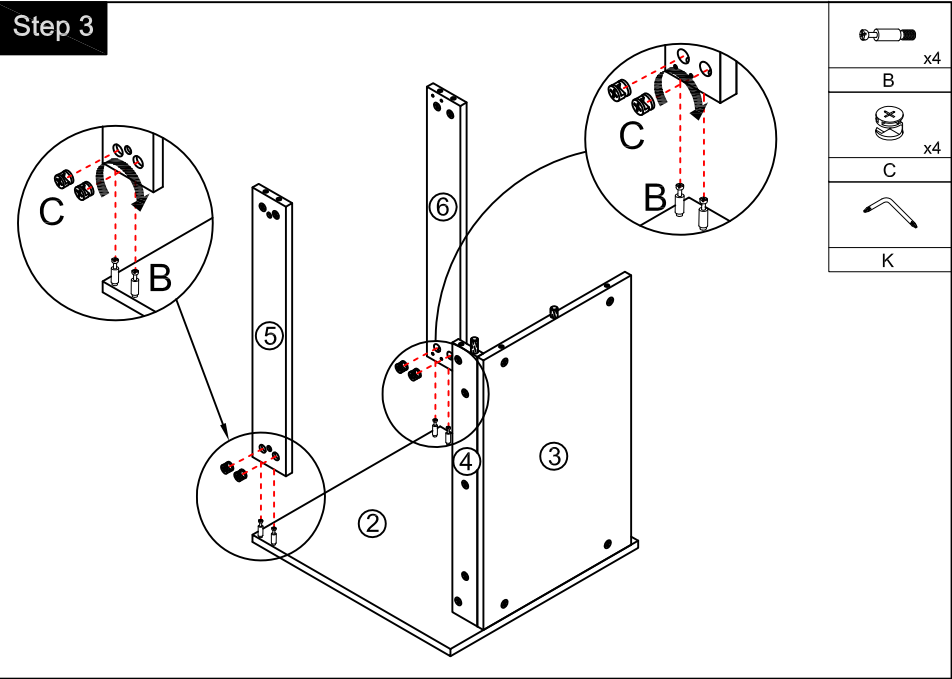
Tool

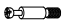


Step 10



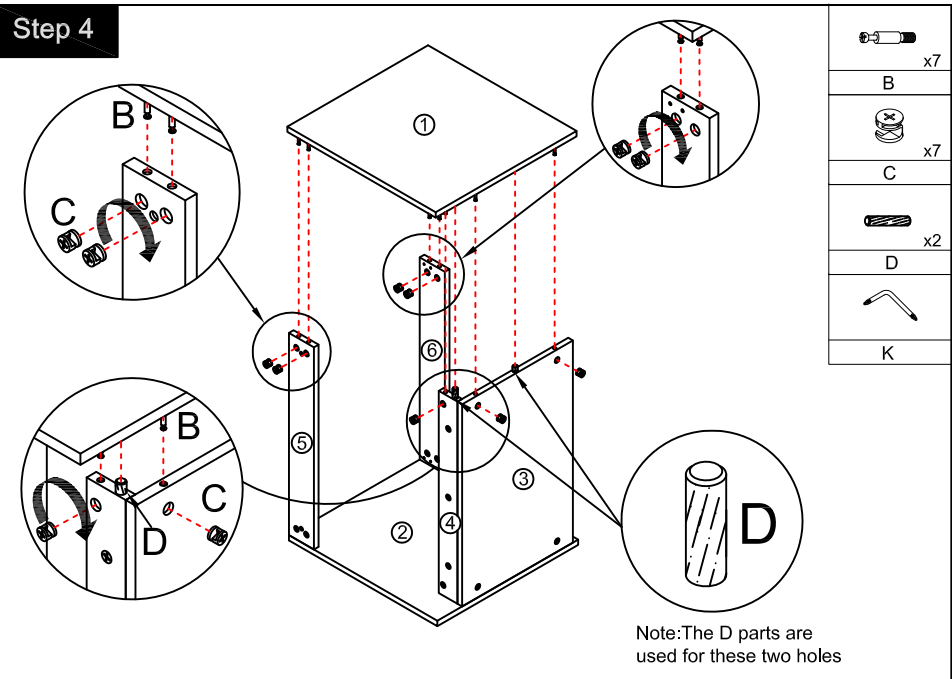
Tool

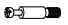



Step 3



-  x4
- B**
-  x4
- C**
- 
- K**

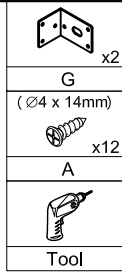
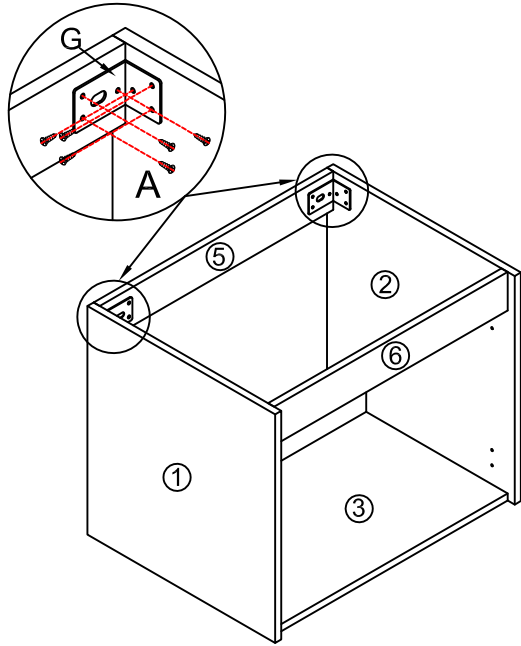
Step 4



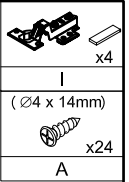
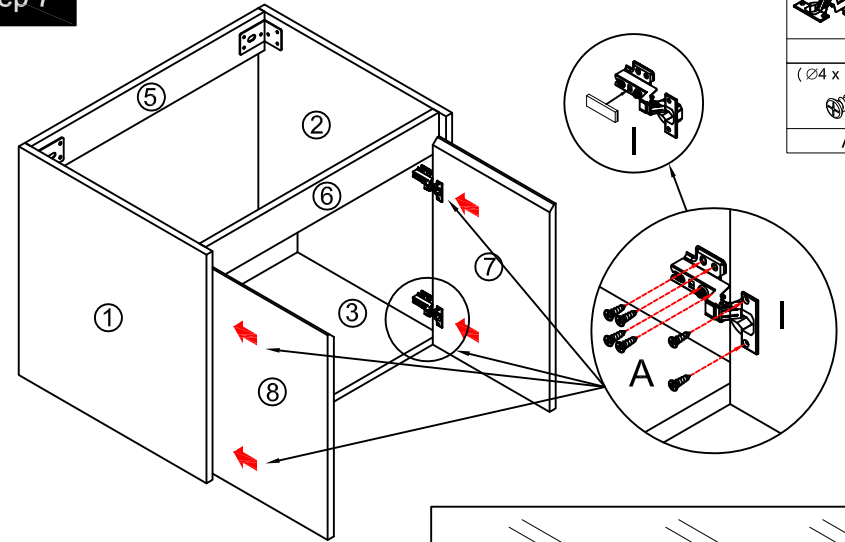
-  x7
- B**
-  x7
- C**
-  x2
- D**
- 
- K**

Note: The D parts are used for these two holes

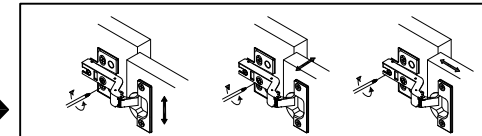
Step 5



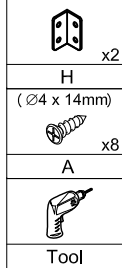
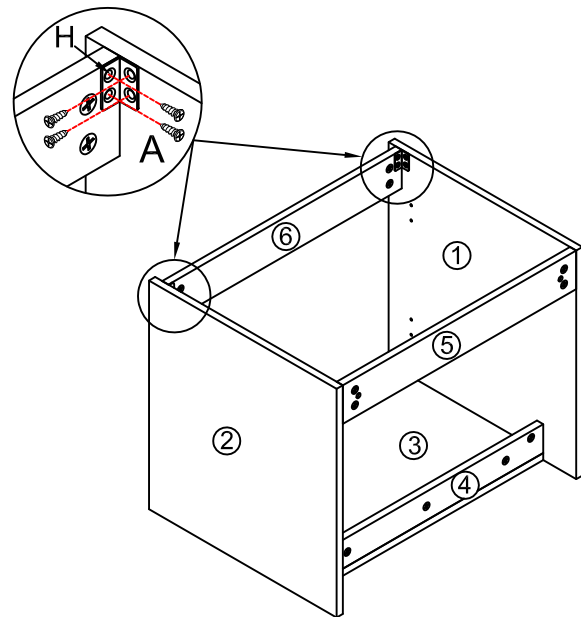
Step 7



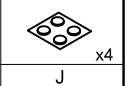
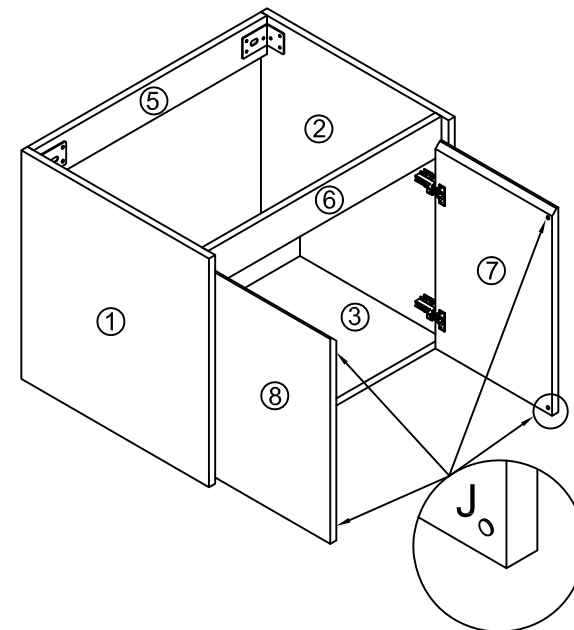
You can adjust the doors by tightening or loosening the screws on the hinge. →



Step 6



Step 8

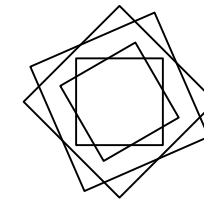
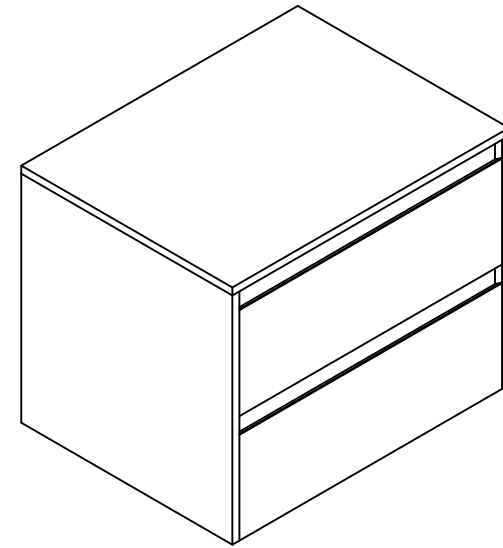


Installation Manual-BV B120 C24B

**MOTIVATE
YOUR LIFE !**

THANKS FOR WATCHING

Your feedback is invaluable to us and we would love to hear about your experience. Please take the time to leave us a review.


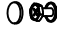
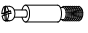


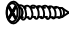



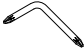


Thank you for shopping with us!

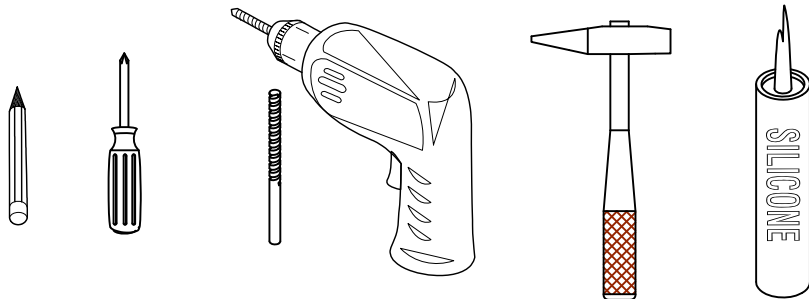
We encourage you to take a few minutes to go through this booklet. It contains important information on installation and care tips to keep your furniture looking as good as new.

Item NO.:BV B120 C24B

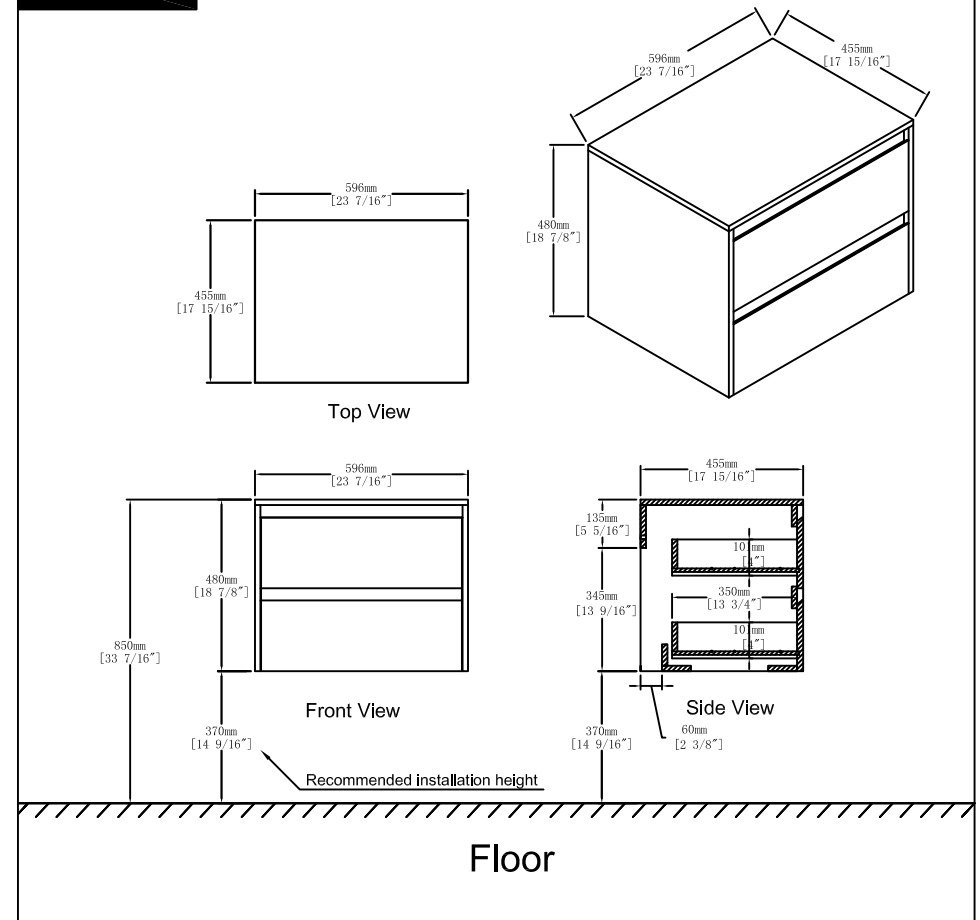
Hardware

NO.	Draw	QTY	NO.	Draw	QTY
A	 Screws Ø4x14mm	20	F	 Screws for fix on the wall	2
B	 Two-in-one connector	49	G	 Track	2
C	 Two-in-one connector	49	H	 Screws Ø4x20mm	8
D	 Wood plug	6	I	 Anti-collision gasket	8
E	 Plastic anchor(Ø10mm)	2	J	 Screwdriver	1

Recommended tools



Dimensions



CARE CLEANING AND MAINTENANCE

1. Dust regularly with a soft , dry cloth.
2. Avoid the use of all chemicals household cleaners, abrasives, or cleaners that contain lemon, vinegar, or other acids that may damage the finish.
3. Excessive exposure to sunlight and extreme changes in temperature and moisture can damage wood furniture.
4. Do not place hot appliances, such as curling irons and hot hair dryers directly on the countertop. Wipe spills immediately.

Step 14

($\varnothing 4 \times 14\text{mm}$)



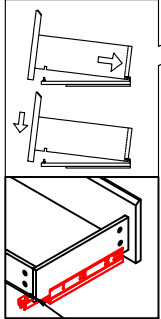
x8

A

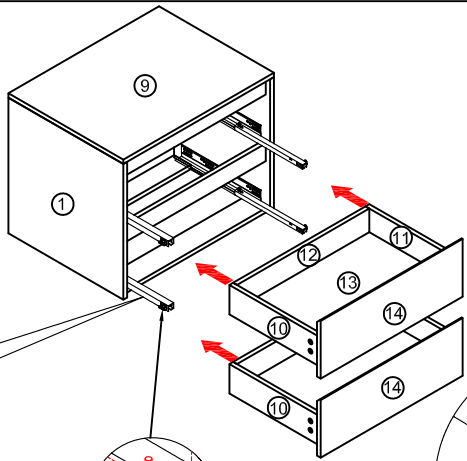


Tool

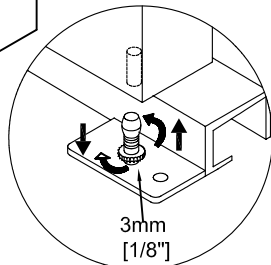
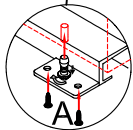
First step



Second step: Tuck the rear holes.

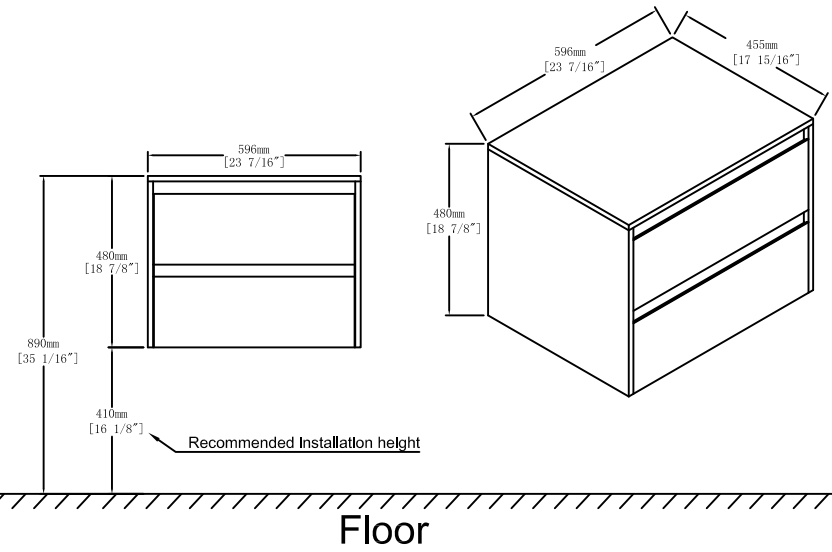


Third step: The bottom of the rail is fixed with screw A.

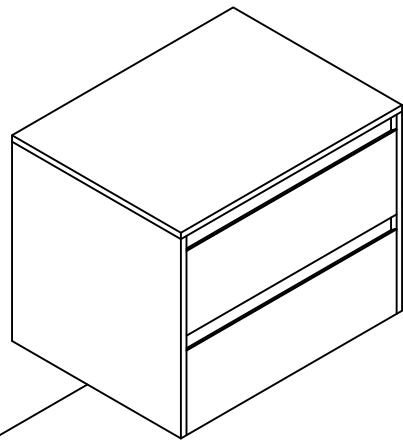


Note: The rails adjust their height 3mm.

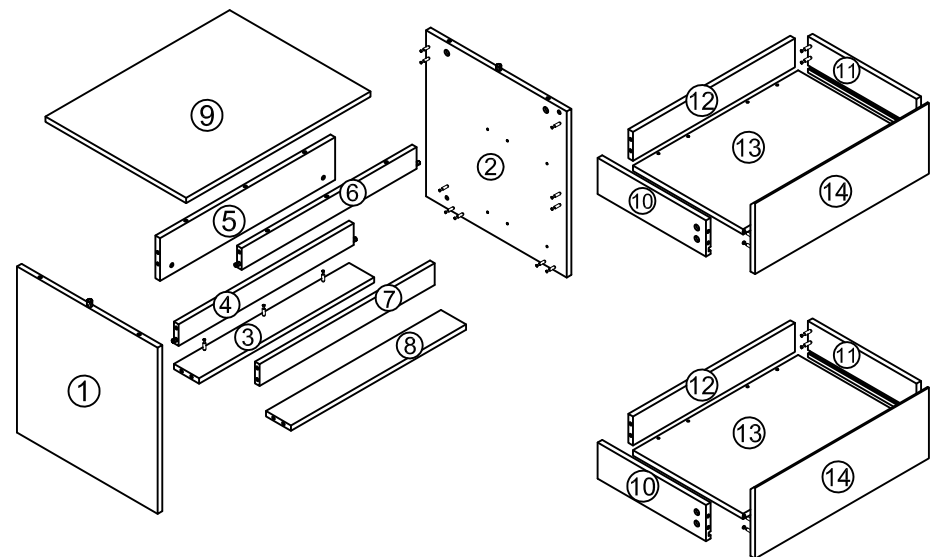
Dimensions



Finished

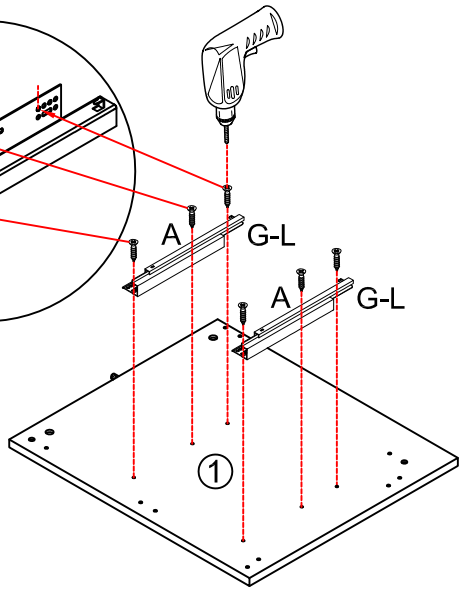


Components

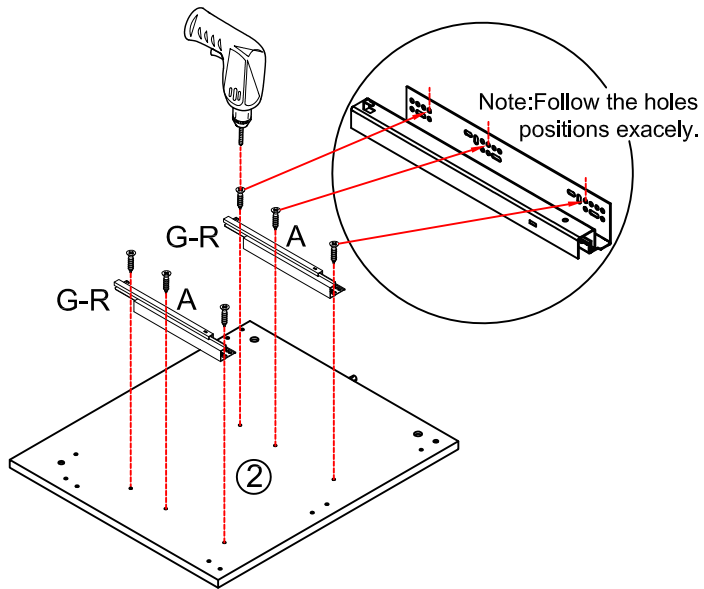


Step 1

Note: Follow the holes positions exactly.



	G-R
	G-L
x2	x2
G	G
($\varnothing 4 \times 14\text{mm}$)	($\varnothing 4 \times 14\text{mm}$)
	x12
A	A
	Tool

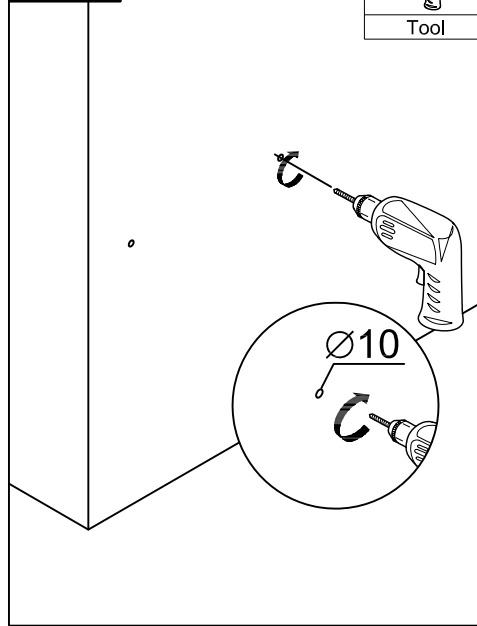


Note: Follow the holes positions exactly.

Step 11

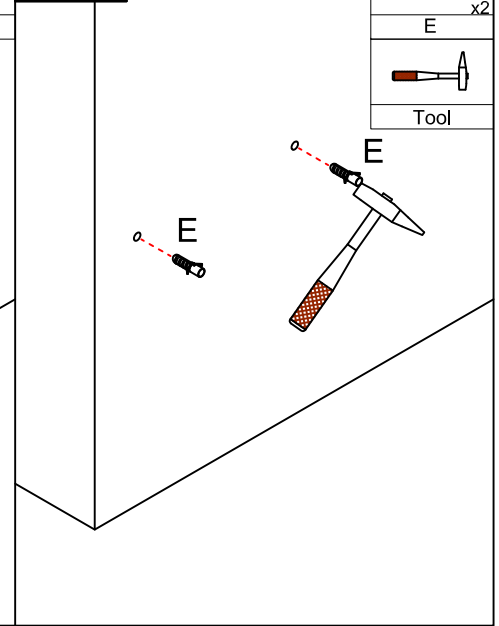


Tool



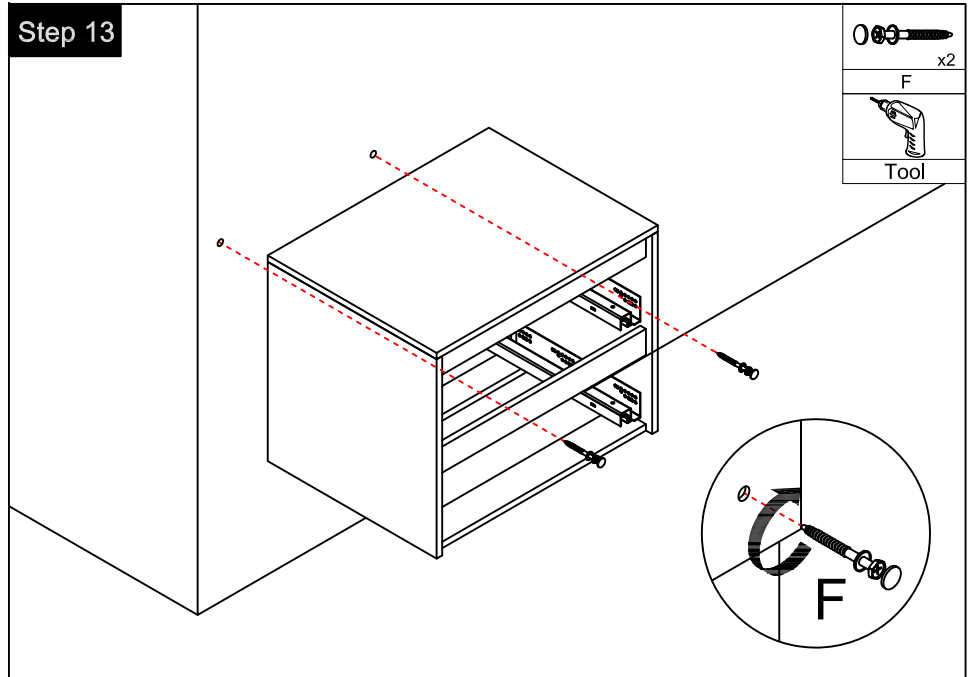
Step 12

	E
x2	x2
	Tool



Step 13

	F
x2	x2
	Tool



Step 8

(Ø4 x 20mm)
x8
H
Tool

x2

(Ø4 x 20mm)
H

Step 2

x3
B
x3
C
J

Attention: Cam lock arrow point to the steel rod.

Notes: Screw installation depth as shown

Step 9

x8
I
Tool

x2

Step 10

Tool

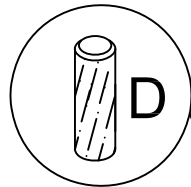
Step 3

x5
B
x5
C
x1
D
J

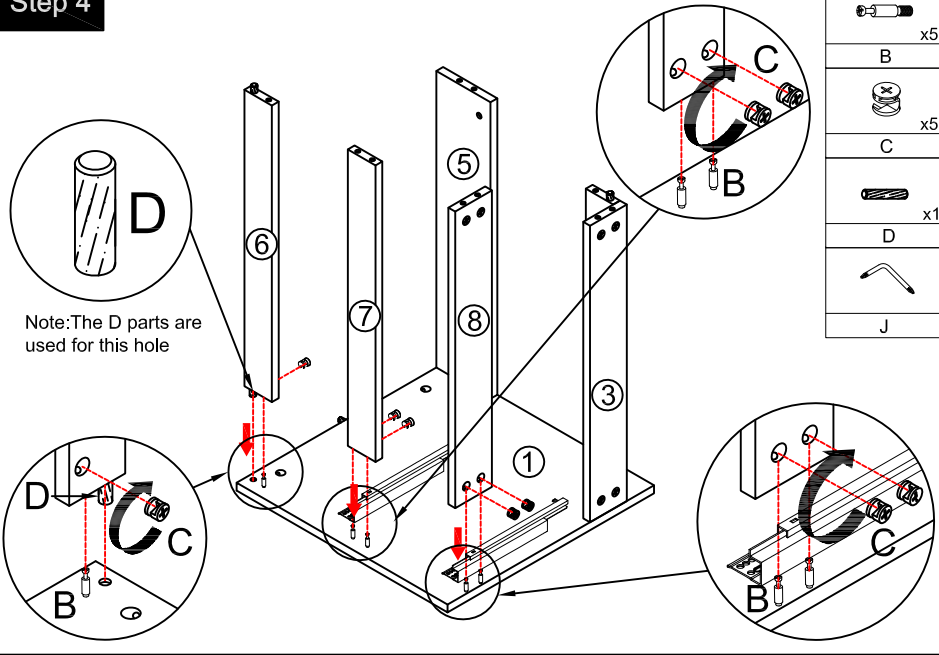
Note: The D parts are used for this hole

first step second step third step

Step 4

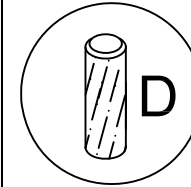


Note: The D parts are used for this hole

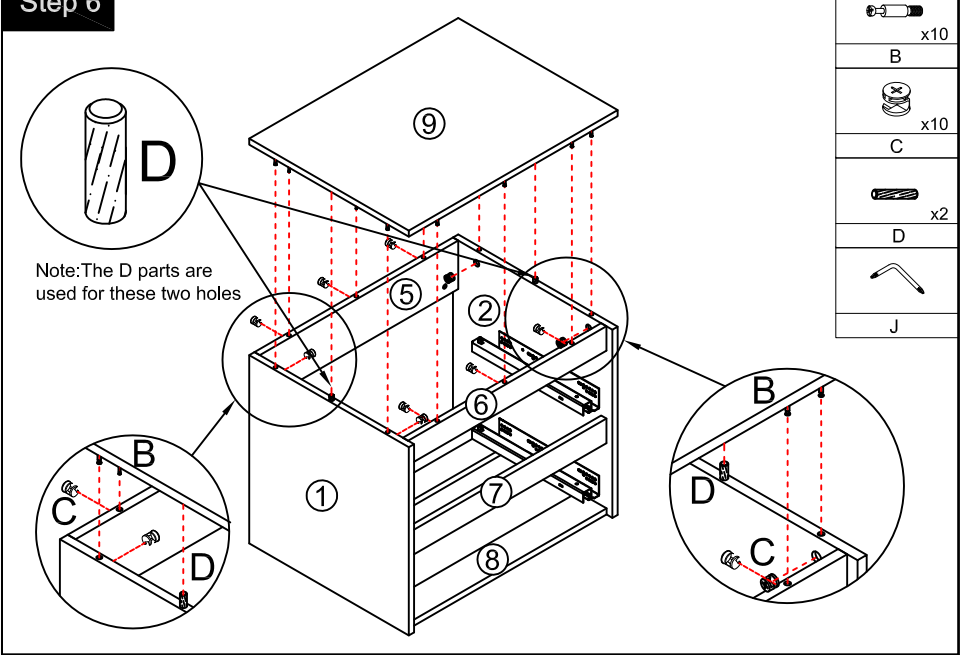


	x5
B	
	x5
C	
	x1
D	
J	

Step 6

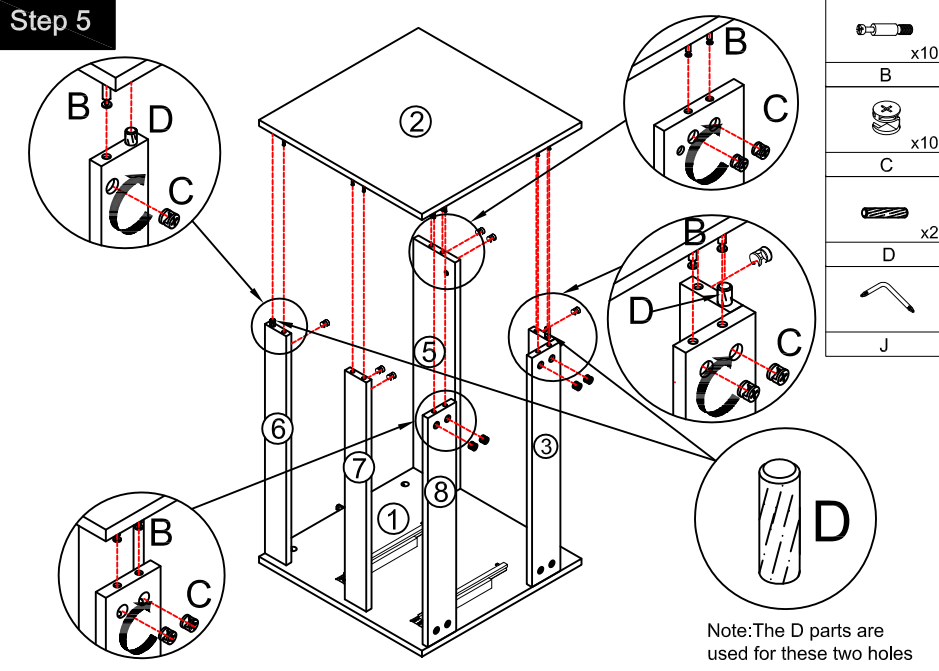
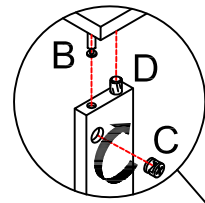


Note: The D parts are used for these two holes



	x10
B	
	x10
C	
	x2
D	
J	

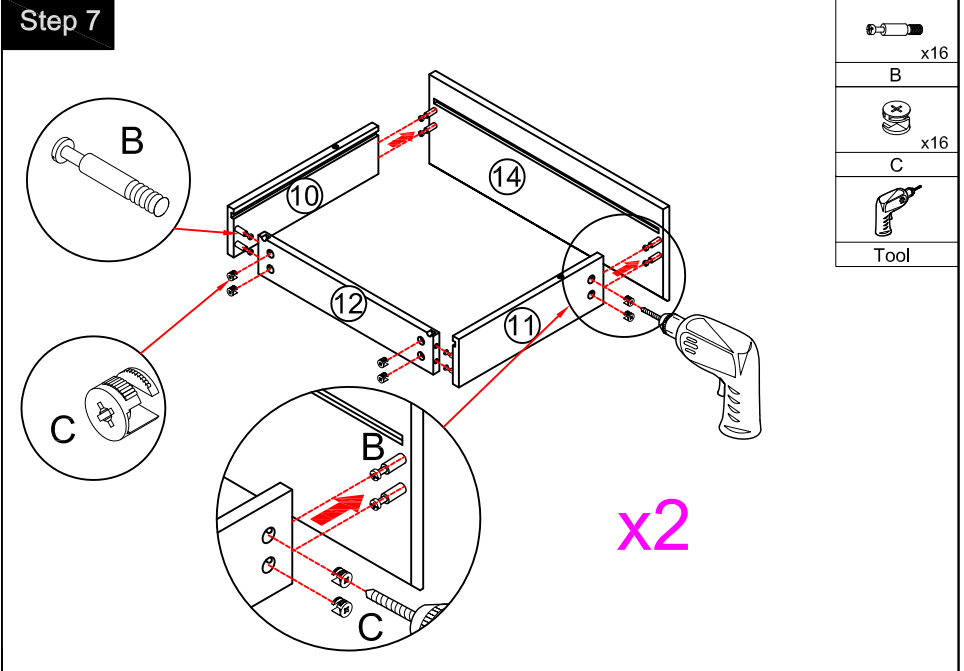
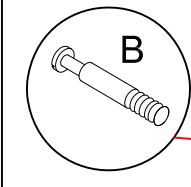
Step 5



	x10
B	
	x10
C	
	x2
D	
J	

Note: The D parts are used for these two holes

Step 7



	x16
B	
	x16
C	
	Tool