





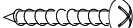






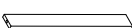
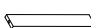


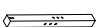
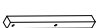





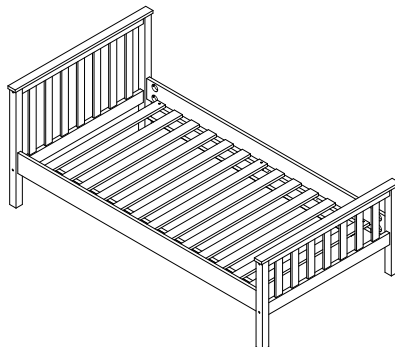
ASSEMBLY INSTRUCTIONS

Mission Bed Twin

Avoid using sharp objects such as a knife to cut open packing as you may accidentally damage the item.

PARTS LIST

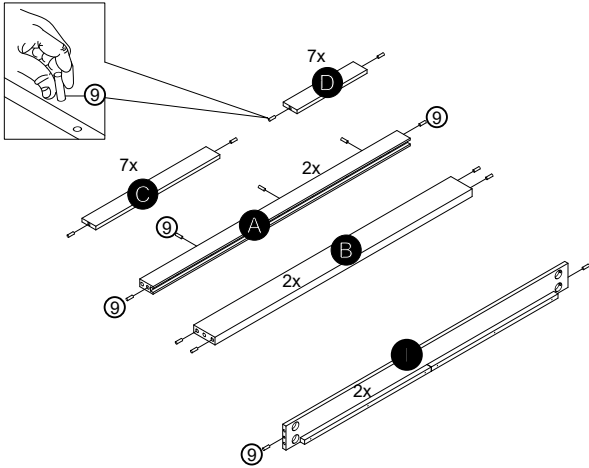
ITEM	DESCRIPTION	SKETCH	QUANTITY
1	Bolt : Ø5/16"x89mm		8x
2	Flat Washer : Ø5/16"		8x
3	Flat Washer : Ø5/16"x16mm		8x
4	Spring Washer : Ø5/16"		8x
5	Nut : Ø5/16"		8x
6	Allen Key : Ø5/16"		1x
7	Screw : Ø8x32mm		6x
8	Bolt : Ø5/16"x70mm		8x
9	Dowel: Ø10x30mm		50x
10	Allen Key : 5mm		1x
11	Screw : Ø8x50mm		6x
A	Upper Grid Crossbar		2x
B	Lower Grid Crossbar		2x
C	Large Grid		7x
D	Small Grid		7x
E	Large Left Foot		1x
F	Large Right Foot		1x
G	Small Left Foot		1x
H	Small Right Foot		1x
I	Side Rails		2x
J	Top Bar		2x
K	Slat		1x



ASSEMBLY INSTRUCTIONS

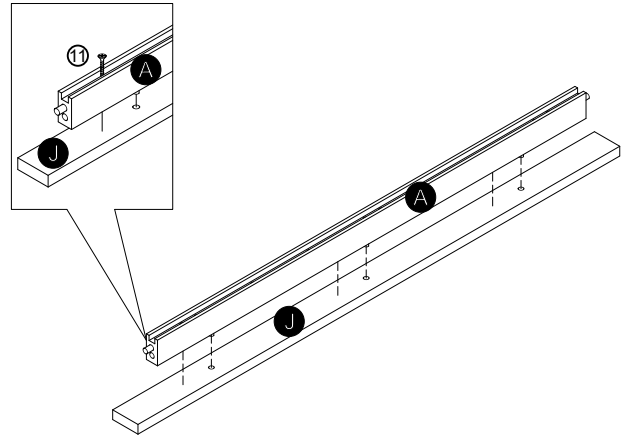
Do not fully tighten bolts until assembly is complete.

STEP 1



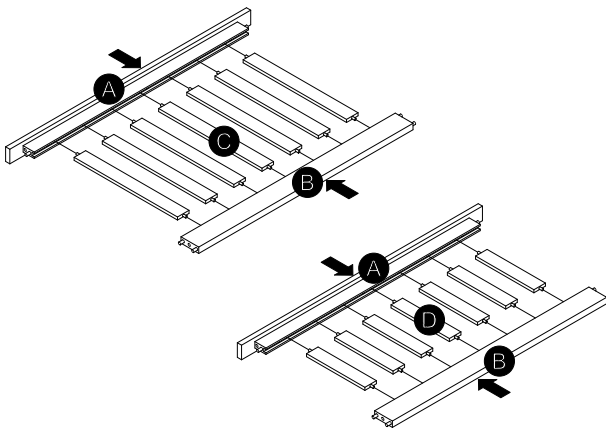
Step1: Insert the dowels in parts A,B,C,D and I

STEP 2



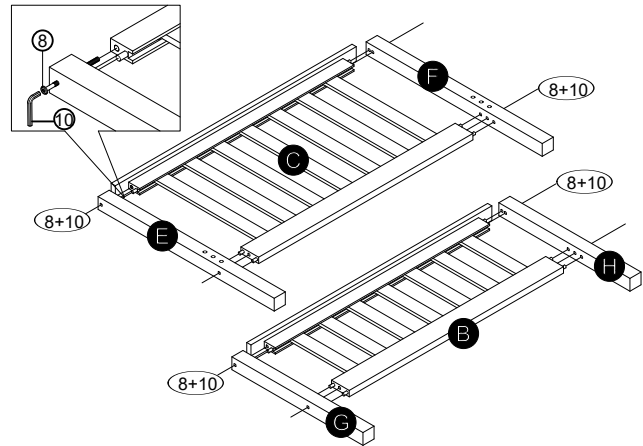
Step2: Join part A and J with 11 screw

STEP 3



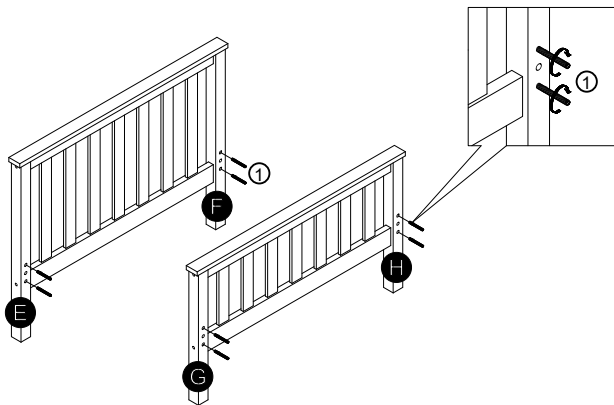
Step3: Fit parts A and B, on the grid C and D

STEP 4



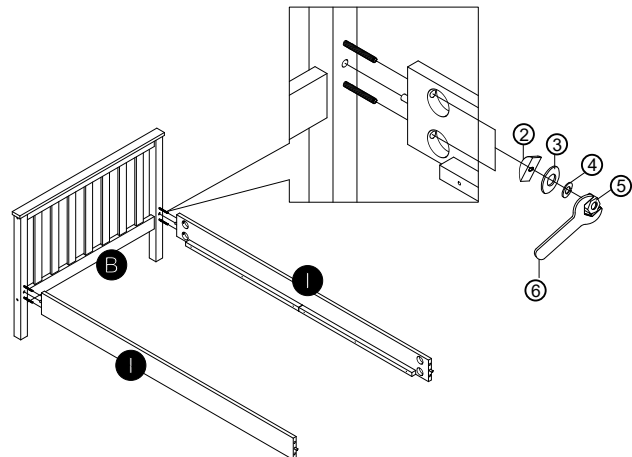
Step 4: Join grid C with feet E + F with 8 screw and 10 key
Join grid D with feet G + H with 8 screw and 10 key

STEP 5



Step 5: Join with feet E + F with Bolt 1
Join with feet G + H with Bolt 1

STEP 6

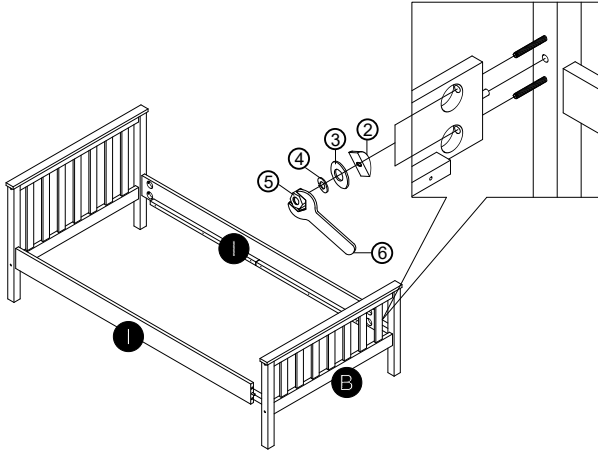


Step 6: Join the mounted Grid B with the Side Rails I, use Bolt 2,3,4,5 with key 6

ASSEMBLY INSTRUCTIONS

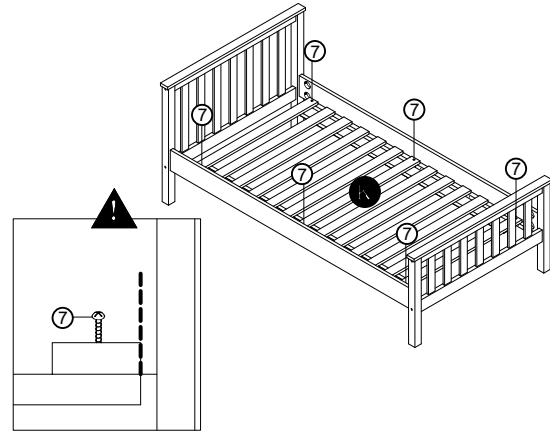
Do not fully tighten bolts until assembly is complete.

STEP 7



Step 7: Join the mounted Grid B with the Side Rails, use Bolt 2,3,4,5 with key 6

STEP 8



Step 8: Fit the platforms K and fix with screws 7



CLEANING INSTRUCTIONS: Clean with Soft cloth, brush, or lightly vacuum.

ADULT ASSEMBLY REQUIRED

If you are missing any parts or have any questions regarding assembly, do not return this item to the retailers store. Please call our toll-free, customer service number and have this assembly manual open to the parts list ready to provide the model name, number and part name or number.

