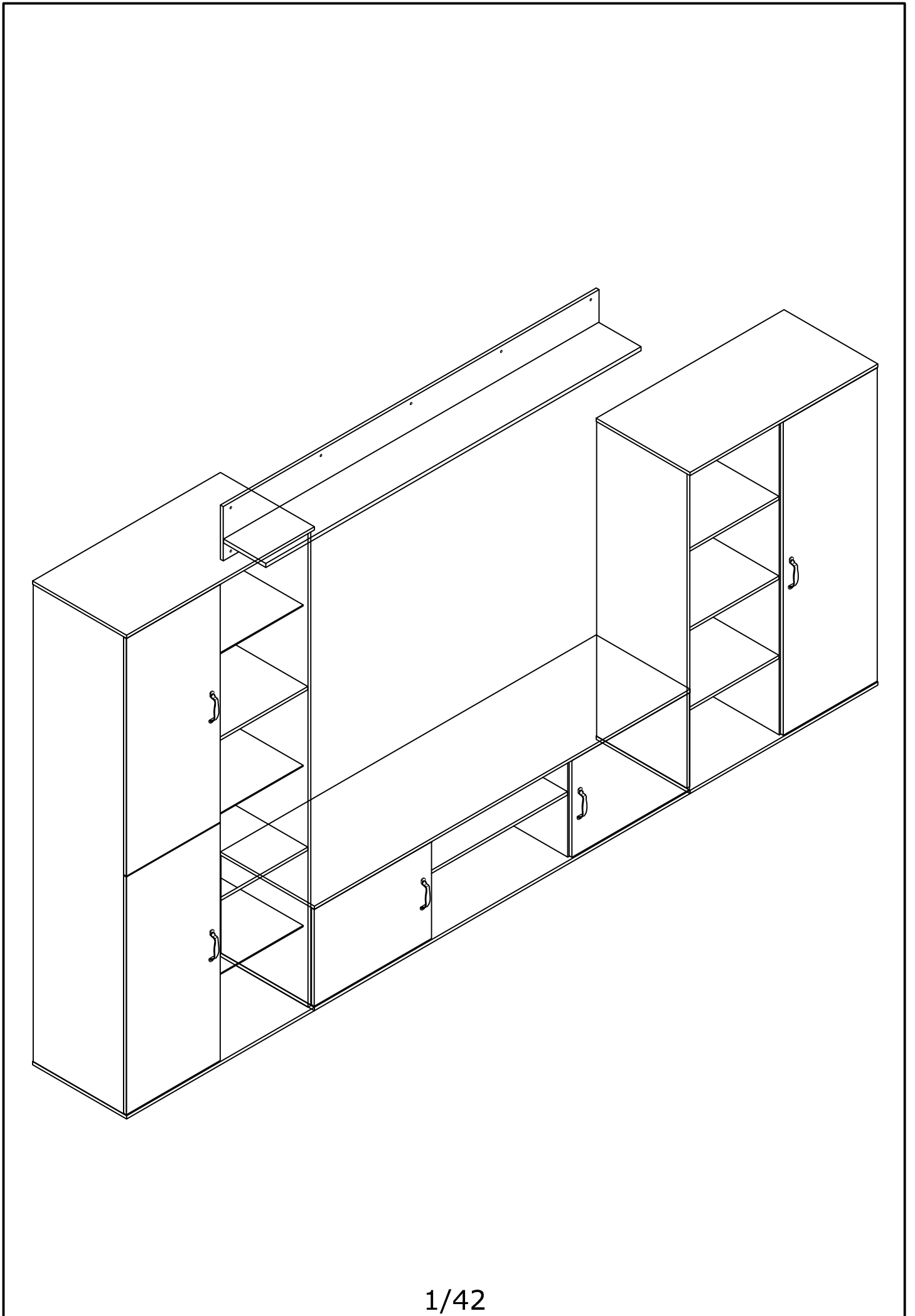
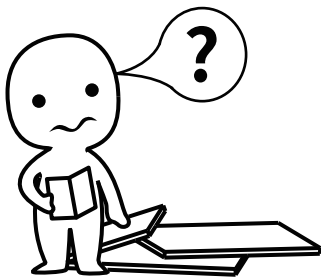


INSTALLATION

Product Manual

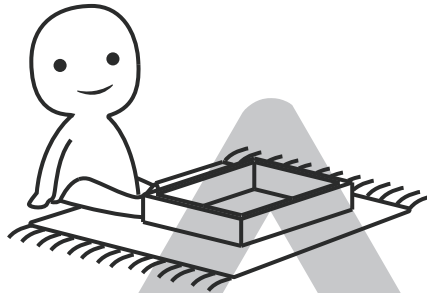
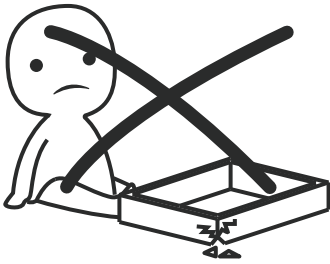
Version: 150250US-01-25A-DY





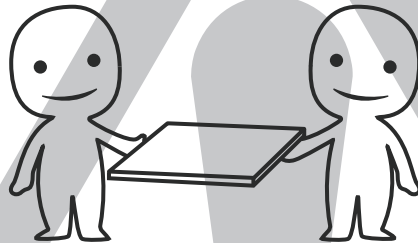
IMPORTANT INFORMATION!

please read the entire manual before starting to assemble and/or using this product. follow the manual thoroughly and keep it for further reference.



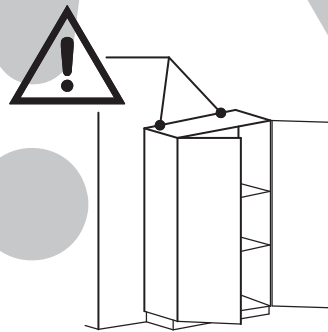
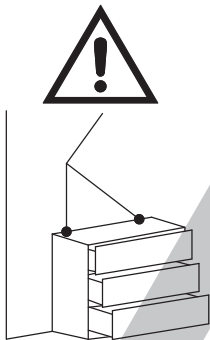
AVOID SCRATCHES!

In order to avoid scratching this furniture should be assembled on a soft layer- could be a rug.



IMPROVE EFFICIENCY !

Try to find a partner to install with you, which can speed up the installation efficiency and shorten the time.



ANTI-TOPPLE WARNING !

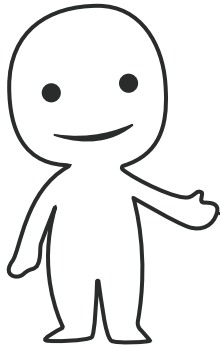
Overturnd furniture can cause serious or fatal crush injuries. To prevent tipping over, be sure to use the wall attachment, if not included with this product. Please purchase the wall attachment that fit your wall. If unsure, seek professional advice. Please read and follow each step of the instructions carefully.

IMPORTANT !

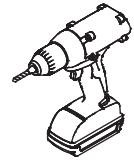
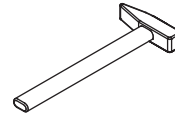
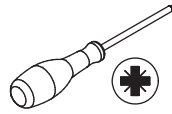
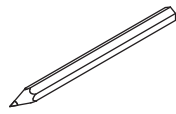
It is important that any product which is assembled using any kind of screw is re-tightened 2 weeks after assembly, and once every 3 months - in order to assure stability through-out the lifespan of the product.

For regular maintenance and cleaning of the product, for the frame, please use a rag dipped in neutral detergent to fully wipe it, and then dry it with a clean rag. For glass materials, wipe with a rag dampened with water glass cleaner, and then dry with a dry rag.






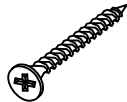

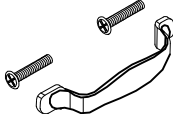
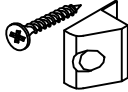
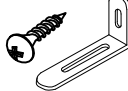
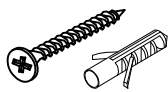
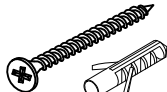
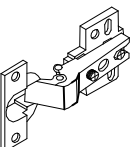


Do not use an electric screwdriver, and do not use too much force when installing, because the board is easy to break.

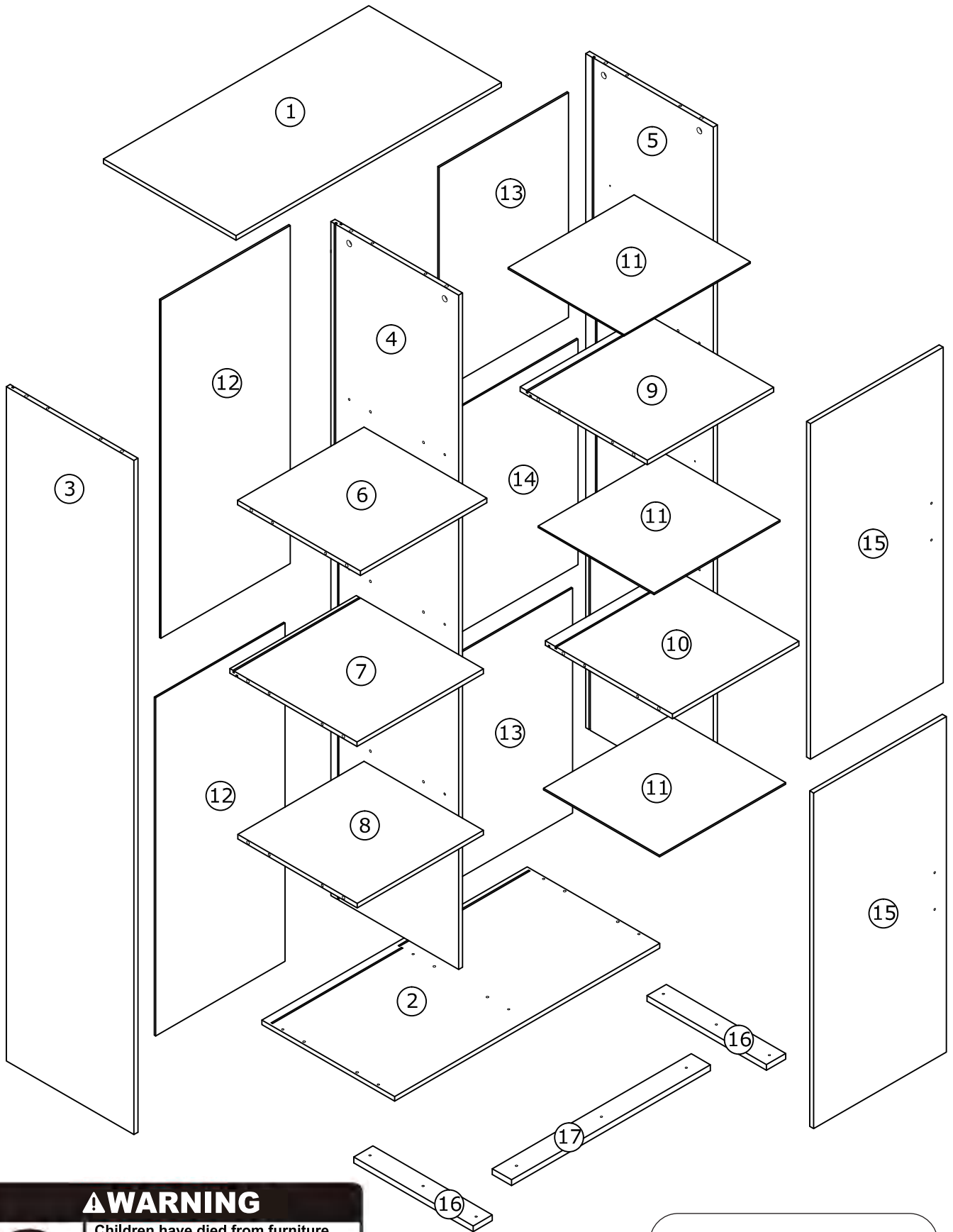


Please prepare the following tools



When installing, please carefully confirm whether each screw corresponds to the manual, accessories with similar shapes can be distinguished by size

A × 60+1	B × 60+2	C × 84+2	D × 78+4	E × 33+1	F × 20+1
 Ø6×35mm	 Ø15×9.5mm	 Ø6×30mm	 Ø3.5×12mm	 Ø4×20mm	 Ø4×30mm
G × 6	H × 5	J × 48	K × 4	L × 4	M × 10
 Ø3.5×60mm	 Ø4×16mm	 Ø3×14mm	 Ø4×12mm	 Expansion Pip Ø6×40mm Screw Ø4×40mm	 Expansion Pip Ø6×40mm Screw Ø4×50mm
N × 11	P × 12	Q × 70			
		 Ø20mm			

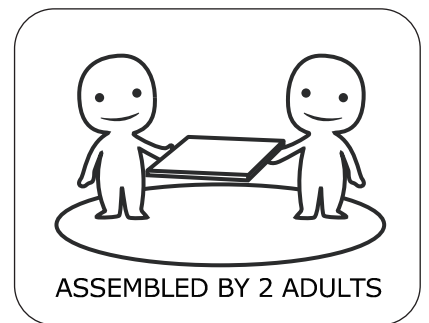


⚠ WARNING

Children have died from furniture tipover. To reduce the risk of furniture tipover:

- ALWAYS install Anti-tip device provided.
- NEVER put a TV on this product.
- NEVER allow children to stand, climb or hang on drawers, doors, or shelves.
- NEVER open more than one drawer at a time.
- Place heaviest items in the lowest drawers.

*This is a permanent label.
Do not remove!*



ASSEMBLED BY 2 ADULTS

⚠ WARNING

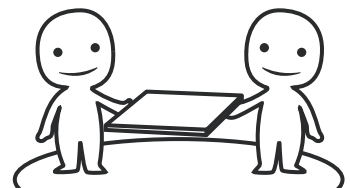
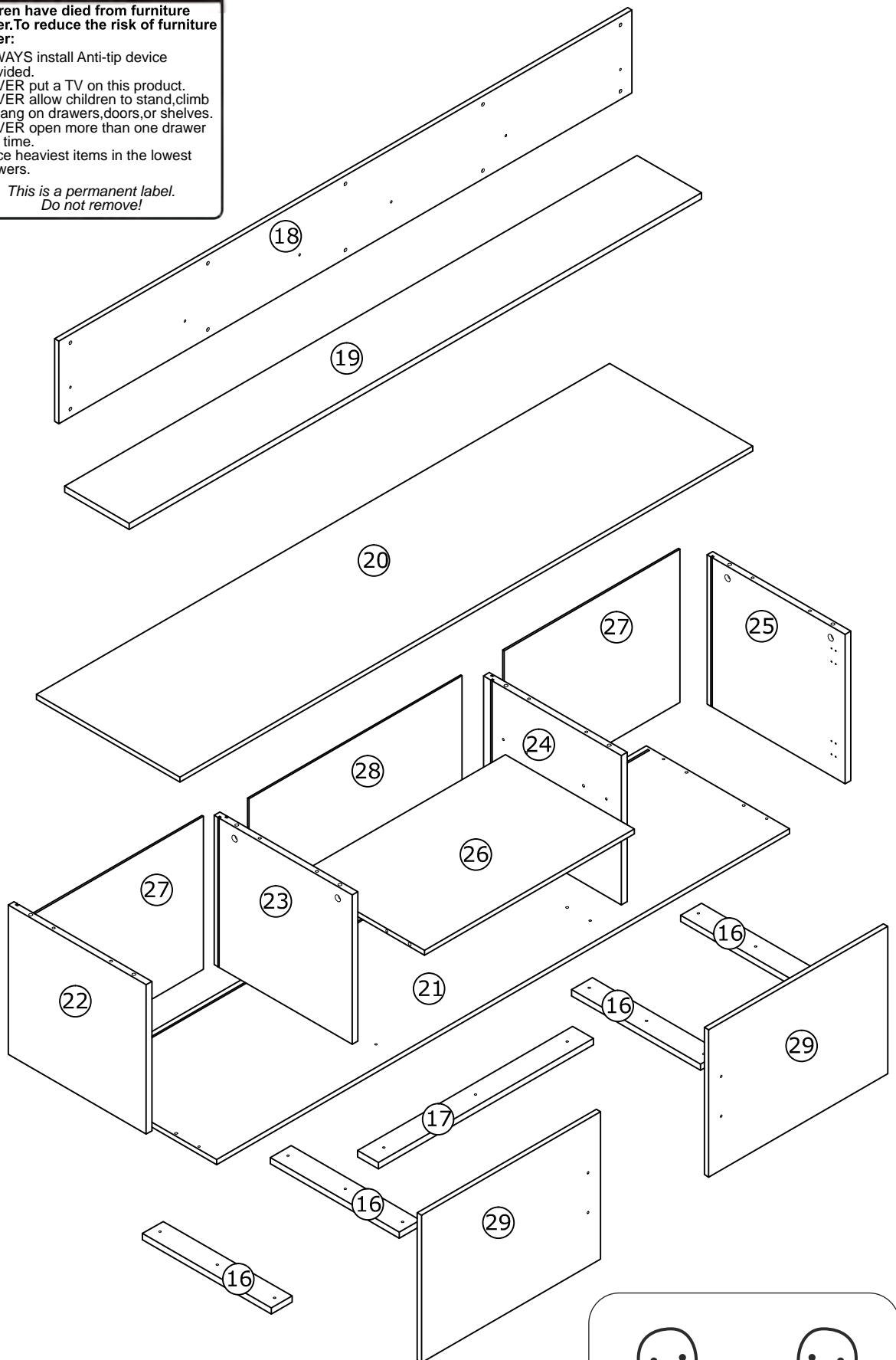


Children have died from furniture tipover. To reduce the risk of furniture tipover:

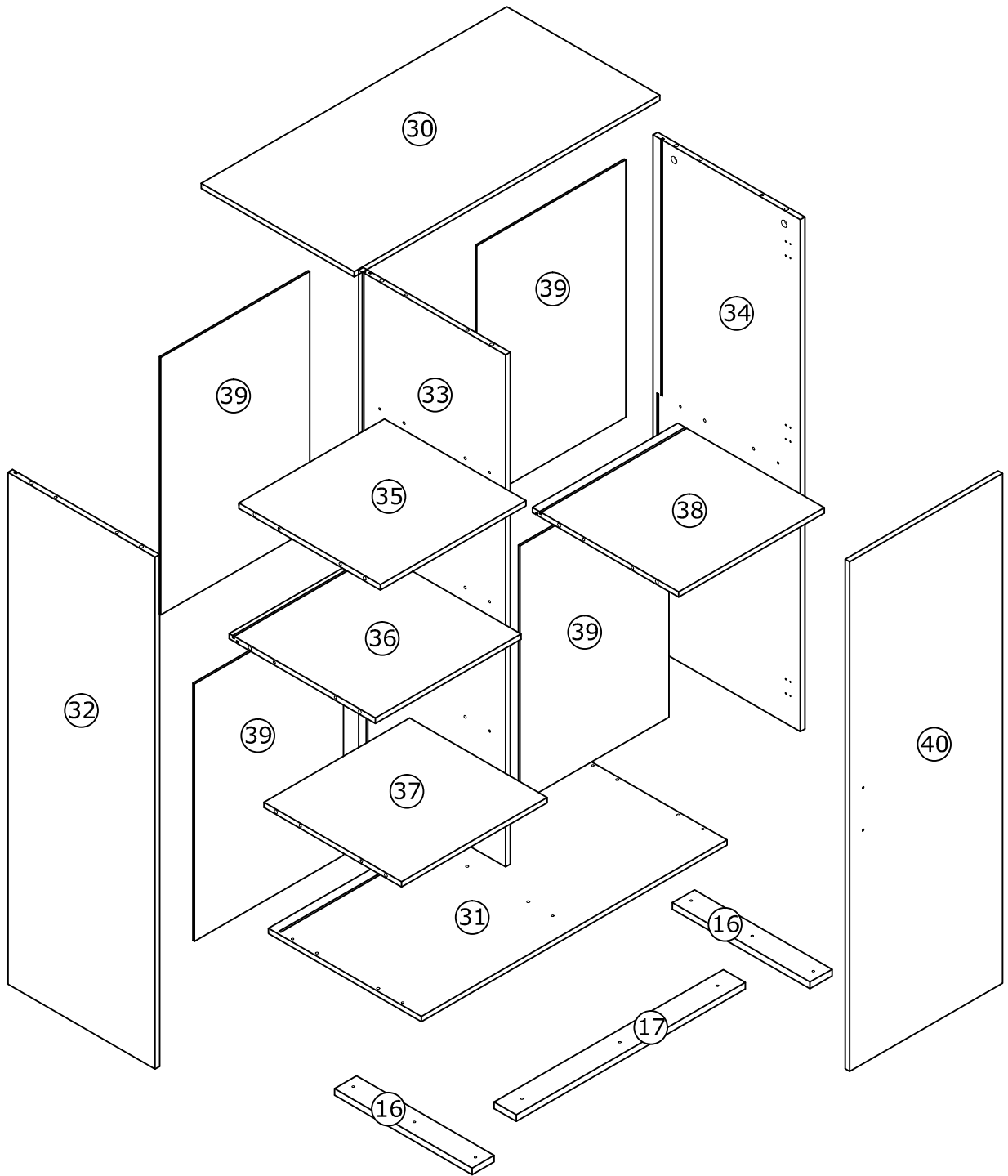
- ALWAYS install Anti-tip device provided.
- NEVER put a TV on this product.
- NEVER allow children to stand, climb or hang on drawers, doors, or shelves.
- NEVER open more than one drawer at a time.
- Place heaviest items in the lowest drawers.



*This is a permanent label.
Do not remove!*



ASSEMBLED BY 2 ADULTS



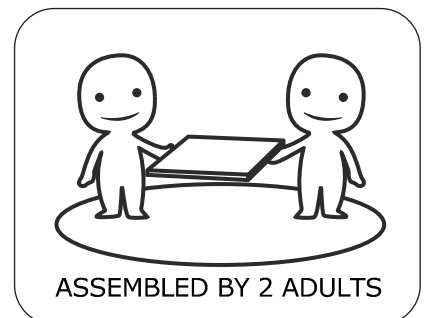
⚠WARNING



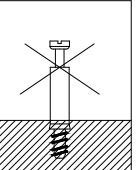
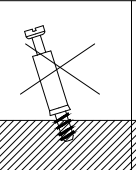
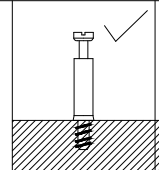
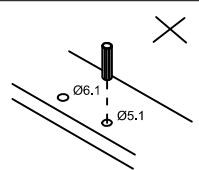
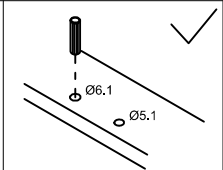
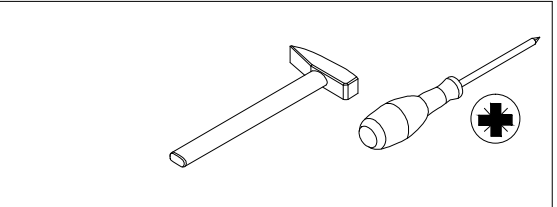
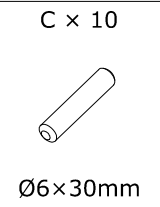
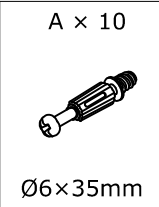
Children have died from furniture tipover. To reduce the risk of furniture tipover:

- ALWAYS install Anti-tip device provided.
- NEVER put a TV on this product.
- NEVER allow children to stand, climb or hang on drawers, doors, or shelves.
- NEVER open more than one drawer at a time.
- Place heaviest items in the lowest drawers.

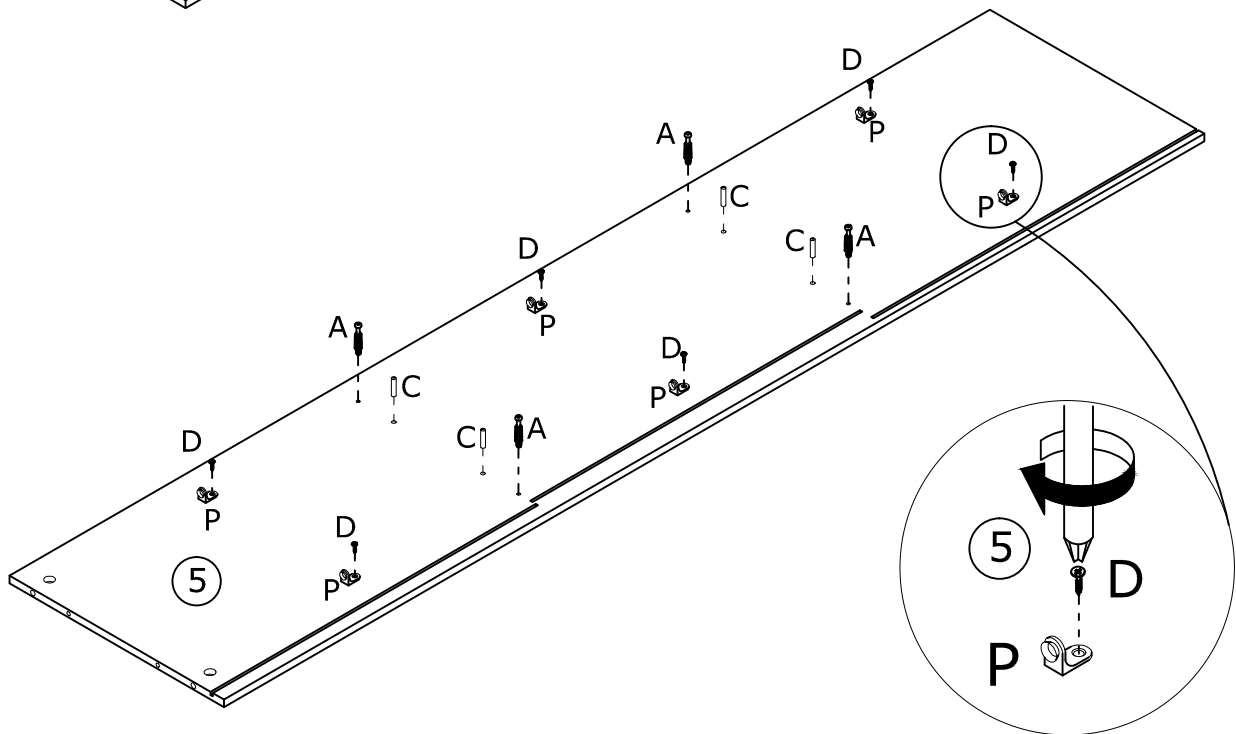
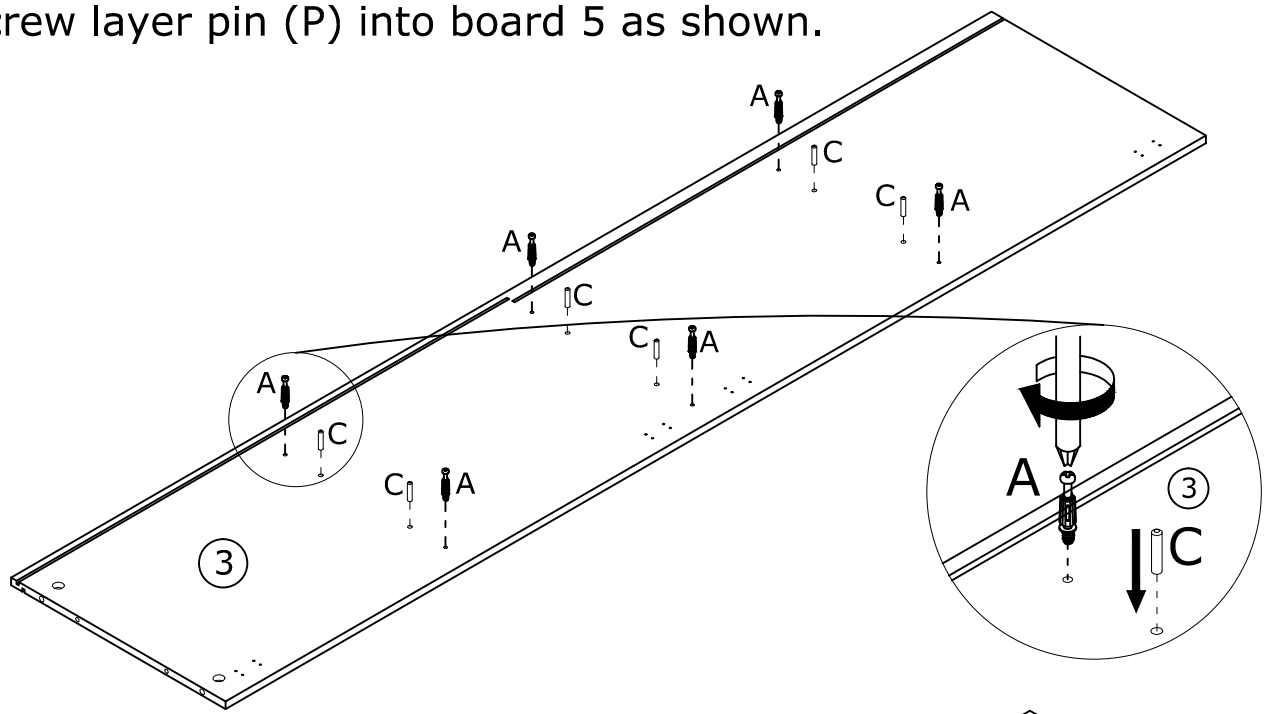
This is a permanent label. Do not remove!



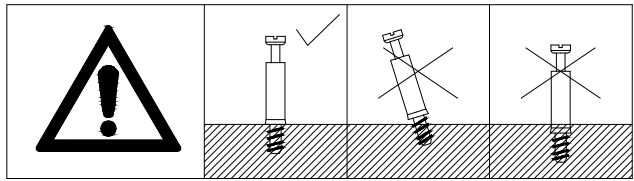
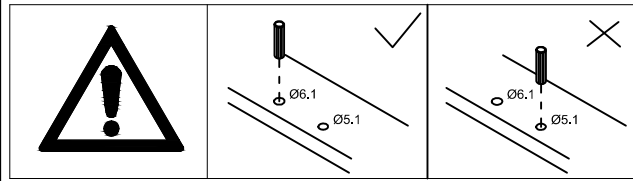
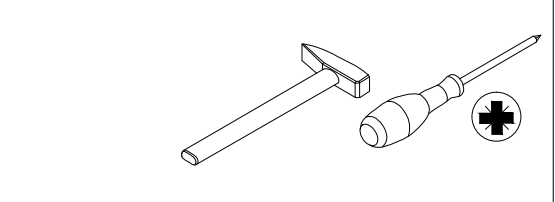
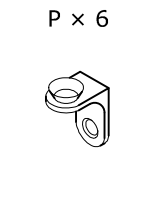
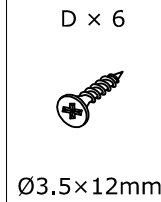
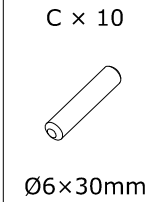
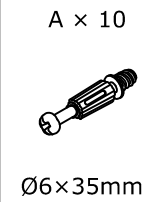
1



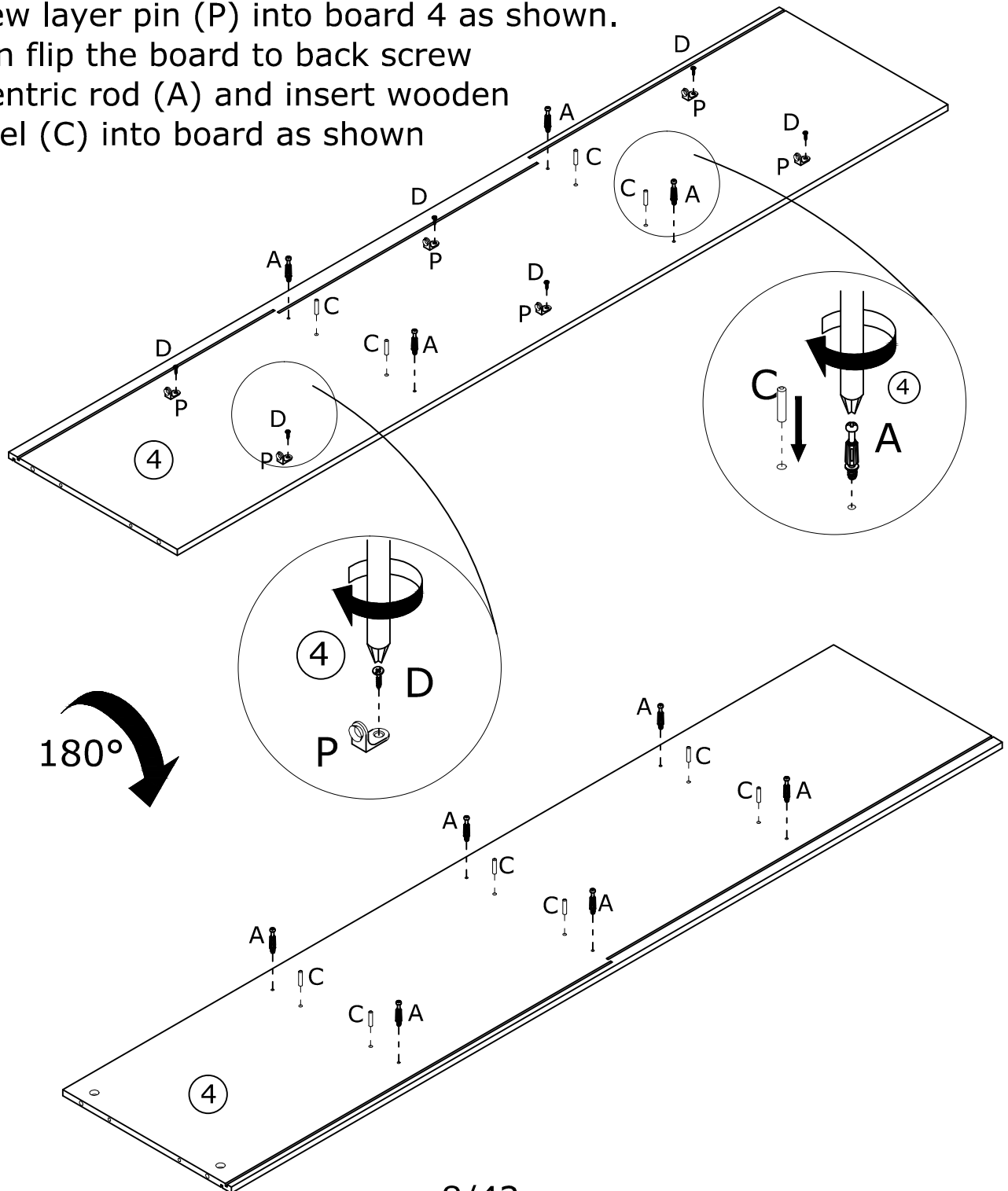
Screw eccentric rod (A) and insert wooden dowel (C) into board 3 and 5 as shown.
Screw layer pin (P) into board 5 as shown.




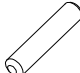

2

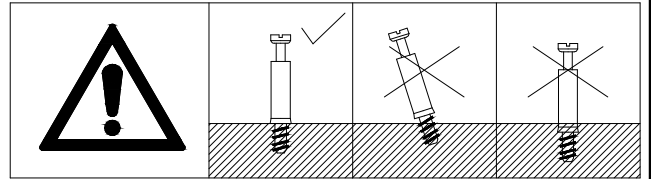
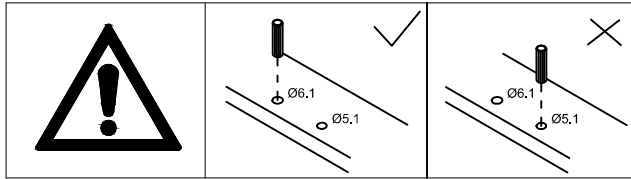
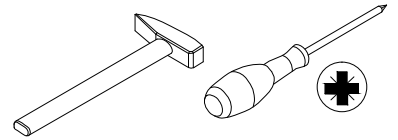


Screw eccentric rod (A) and insert wooden dowel (C) into board 4 .
Screw layer pin (P) into board 4 as shown.
Then flip the board to back screw eccentric rod (A) and insert wooden dowel (C) into board as shown



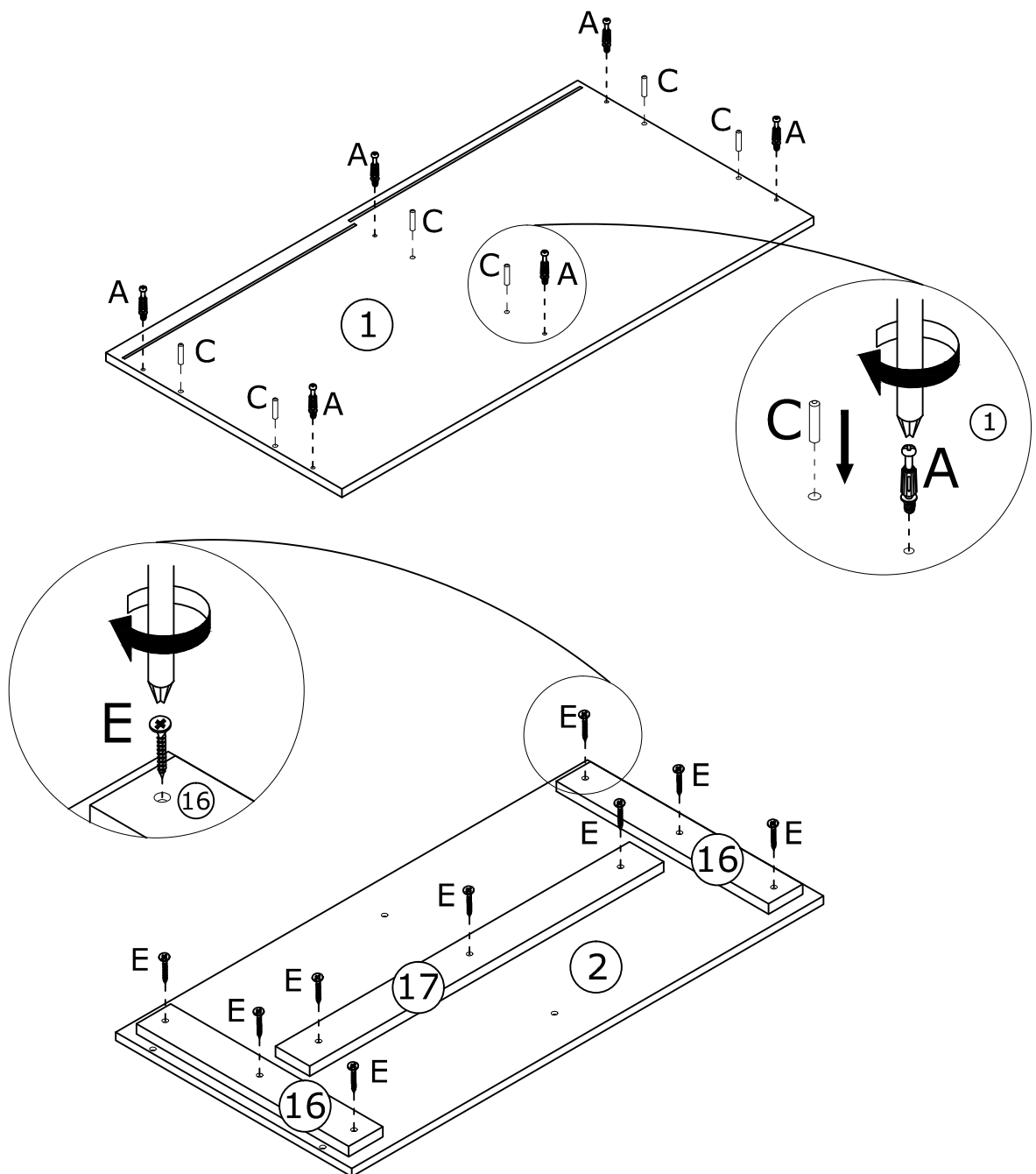
3

A × 6  Ø6×35mm	C × 6  Ø6×30mm	E × 9  Ø4×20mm
---	---	---



Screw eccentric rod (A) and insert wooden dowel (C) into board 1 as shown.

Fix board 16, 17 to board 2 with screw(E) as shown.

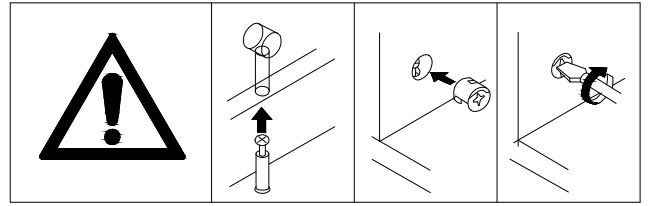
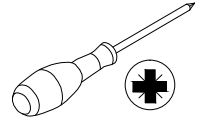


4

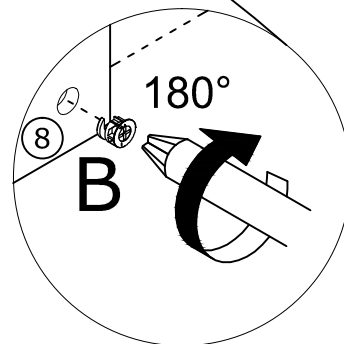
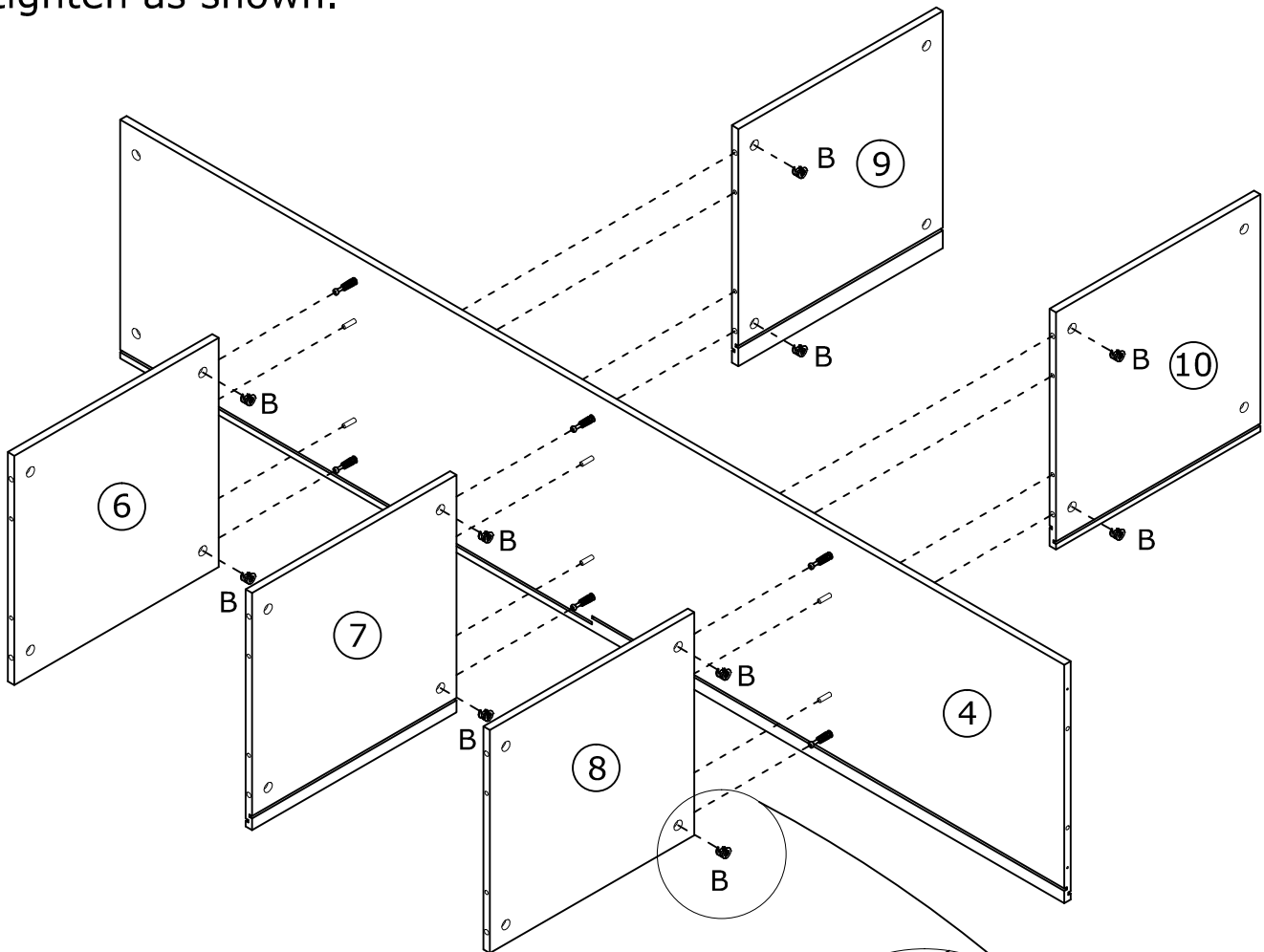
B x 10



Ø15x9.5mm

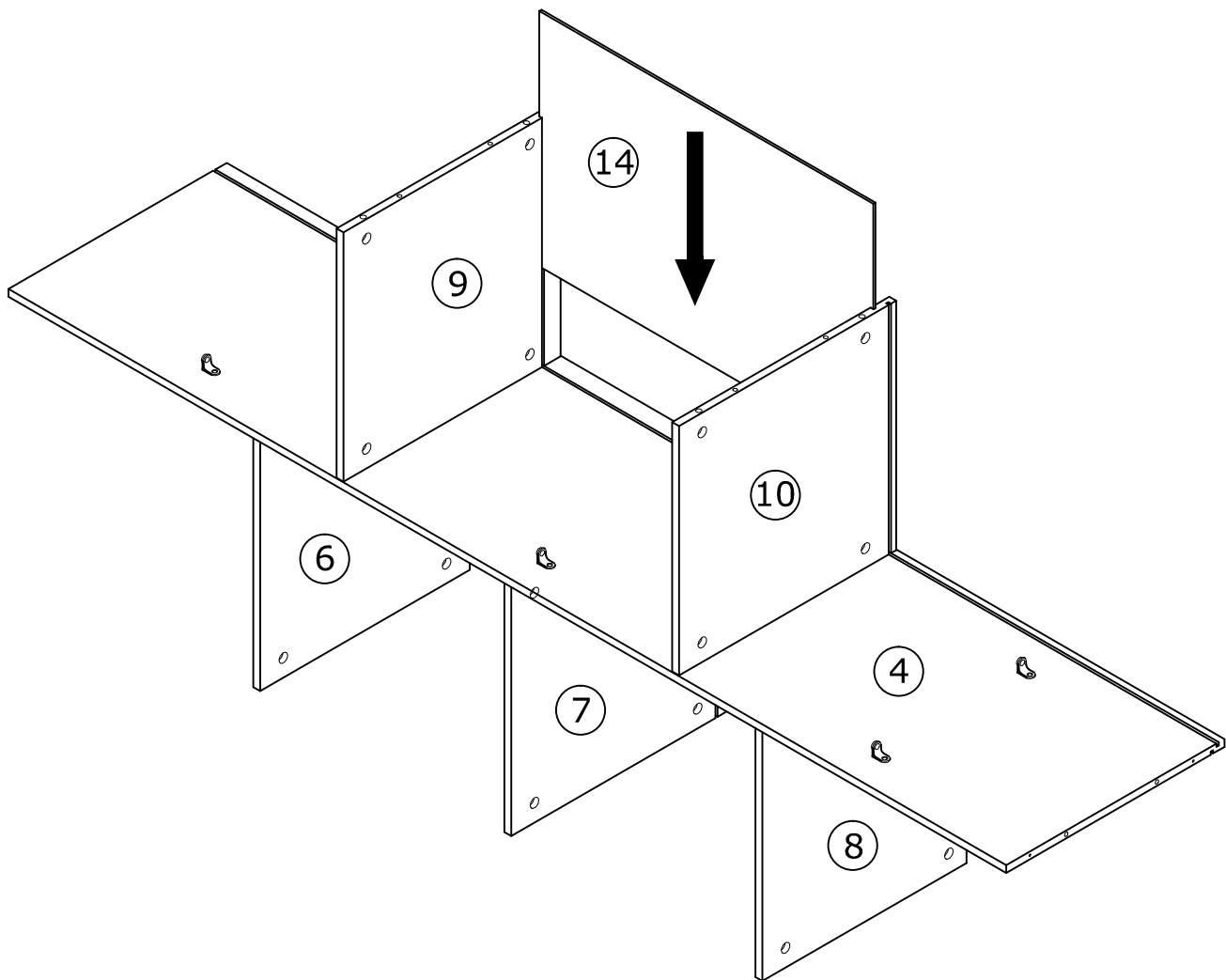


Attach board 4 to board 6 , 7 , 8 , 9 and 10, add cam lock(B) into 6 , 7 , 8 , 9 and 10 then turn clockwise to tighten as shown.



5

Insert back board 14 along available grooves as shown.

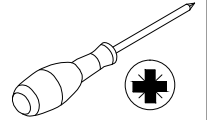


6

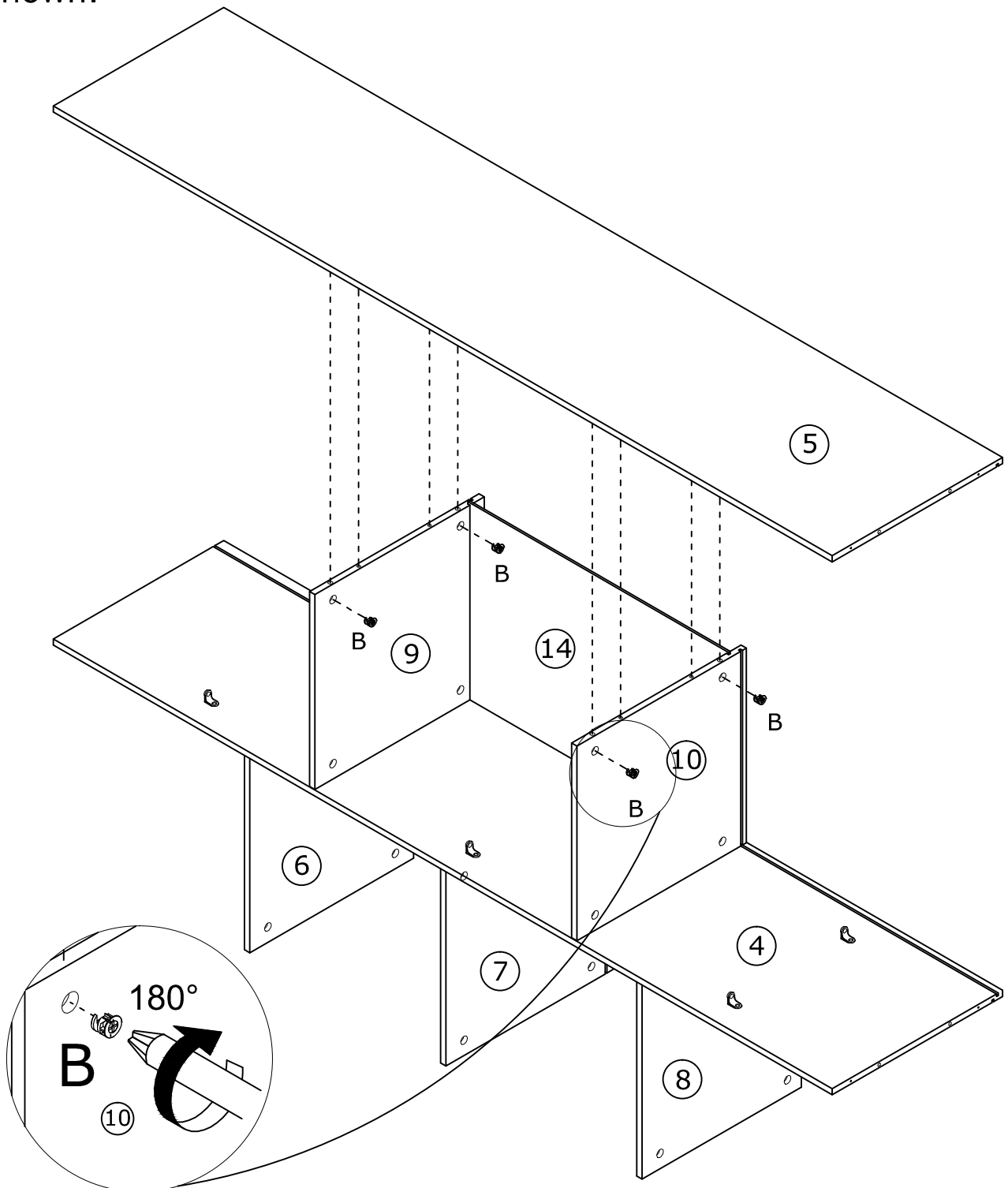
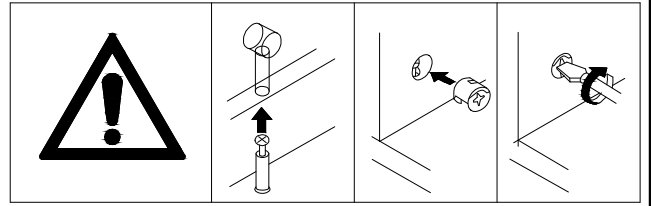
B × 4



Ø15×9.5mm



Attach board 5 to board 9 and 10, add cam lock(B) into 9 and 10 then turn clockwise to tighten as shown.

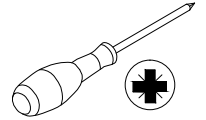


7

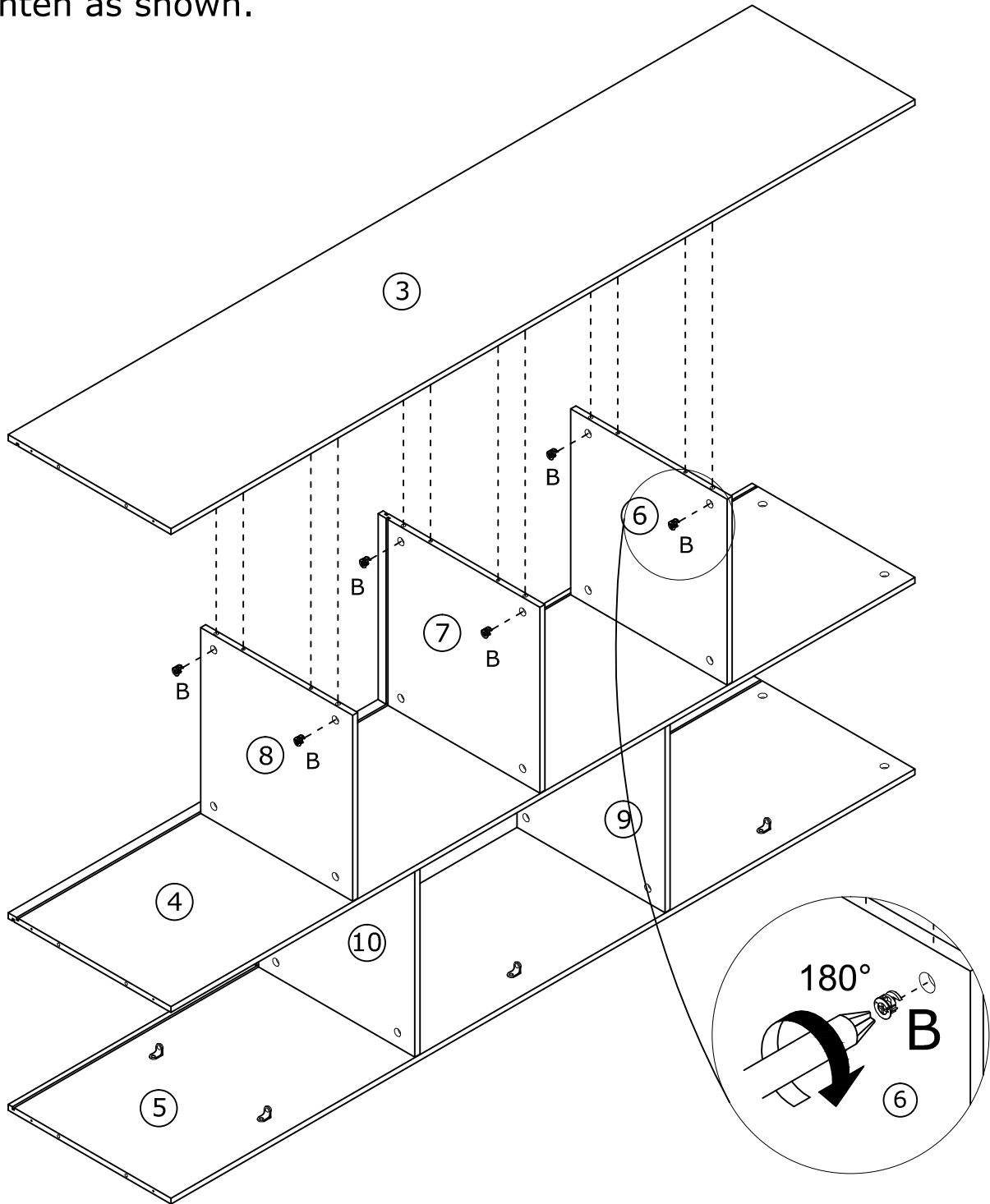
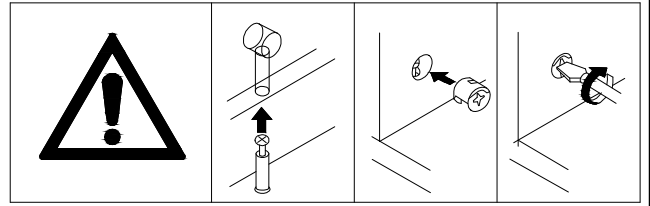
B x 6



Ø15x9.5mm

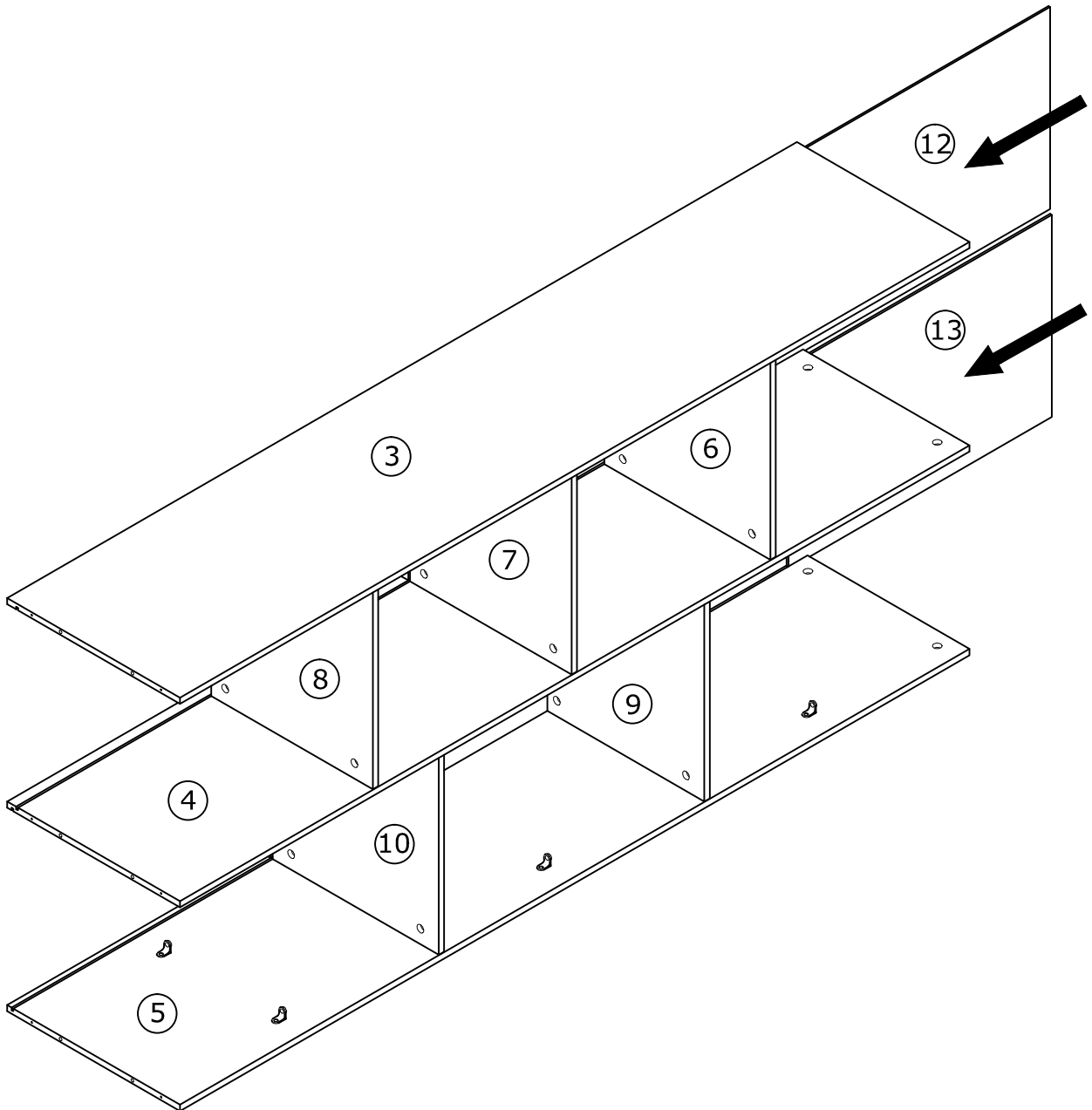


Attach board 3 to board 6 , 7 and 8, add cam lock(B) into 6 , 7 and 8 then turn clockwise to tighten as shown.



8

Insert back board 12 and 13 along available grooves as shown.

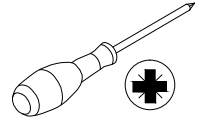


9

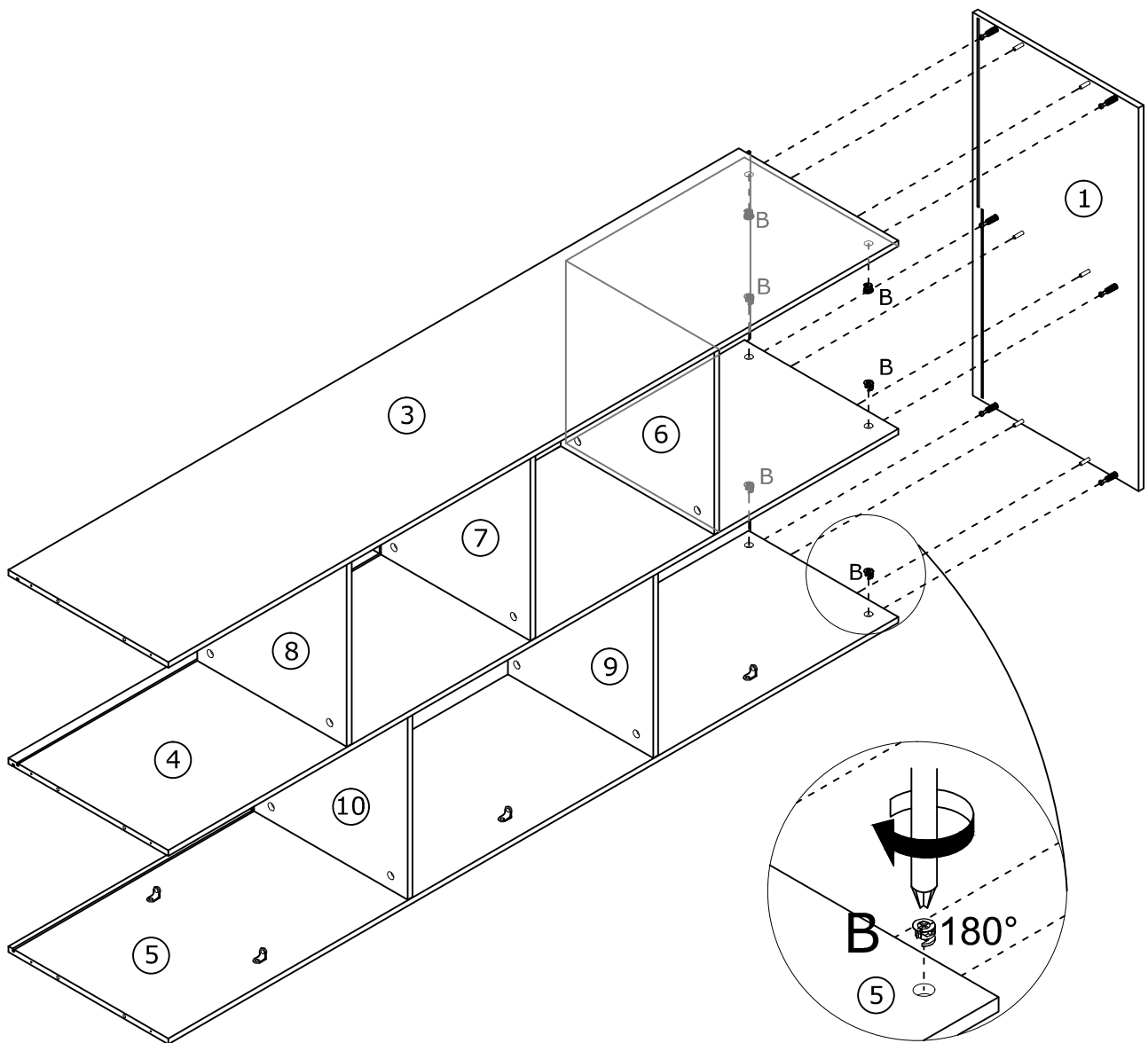
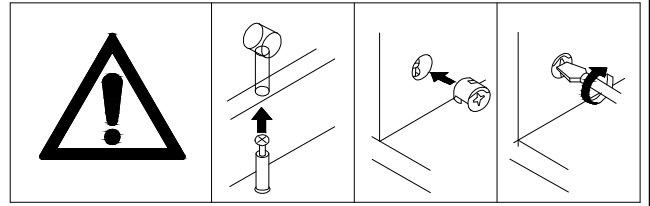
B × 6



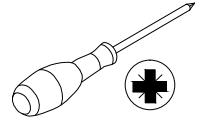
Ø15×9.5mm



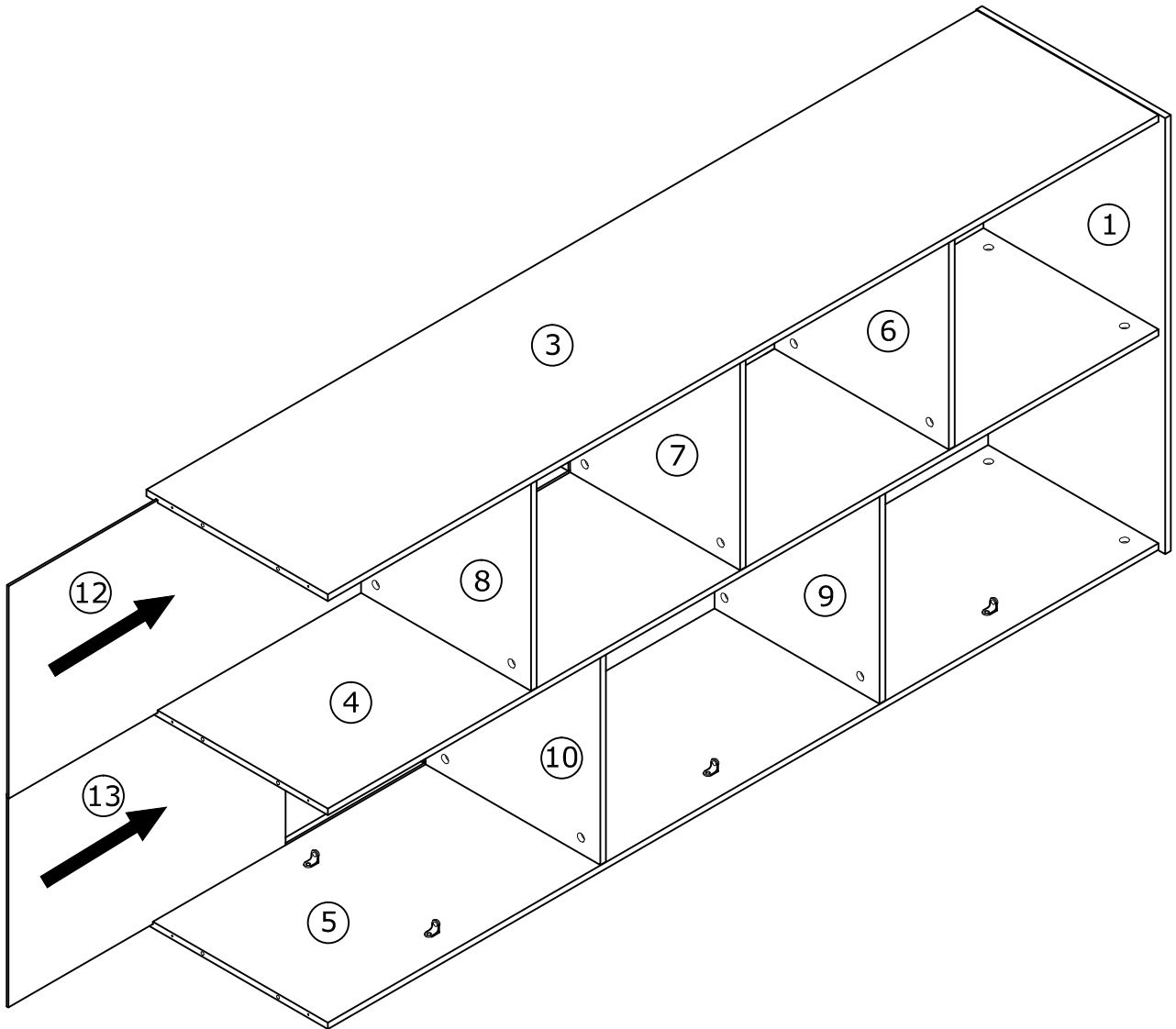
Attach board 1 to board 3 , 4 and 5, add cam lock(B) into 3 , 4 and 5 then turn clockwise to tighten as shown.



10



Insert back board 12 and 13 along available grooves as shown.



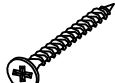
11

C × 6

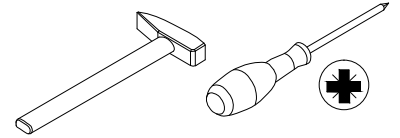


Ø6×30mm

F × 6

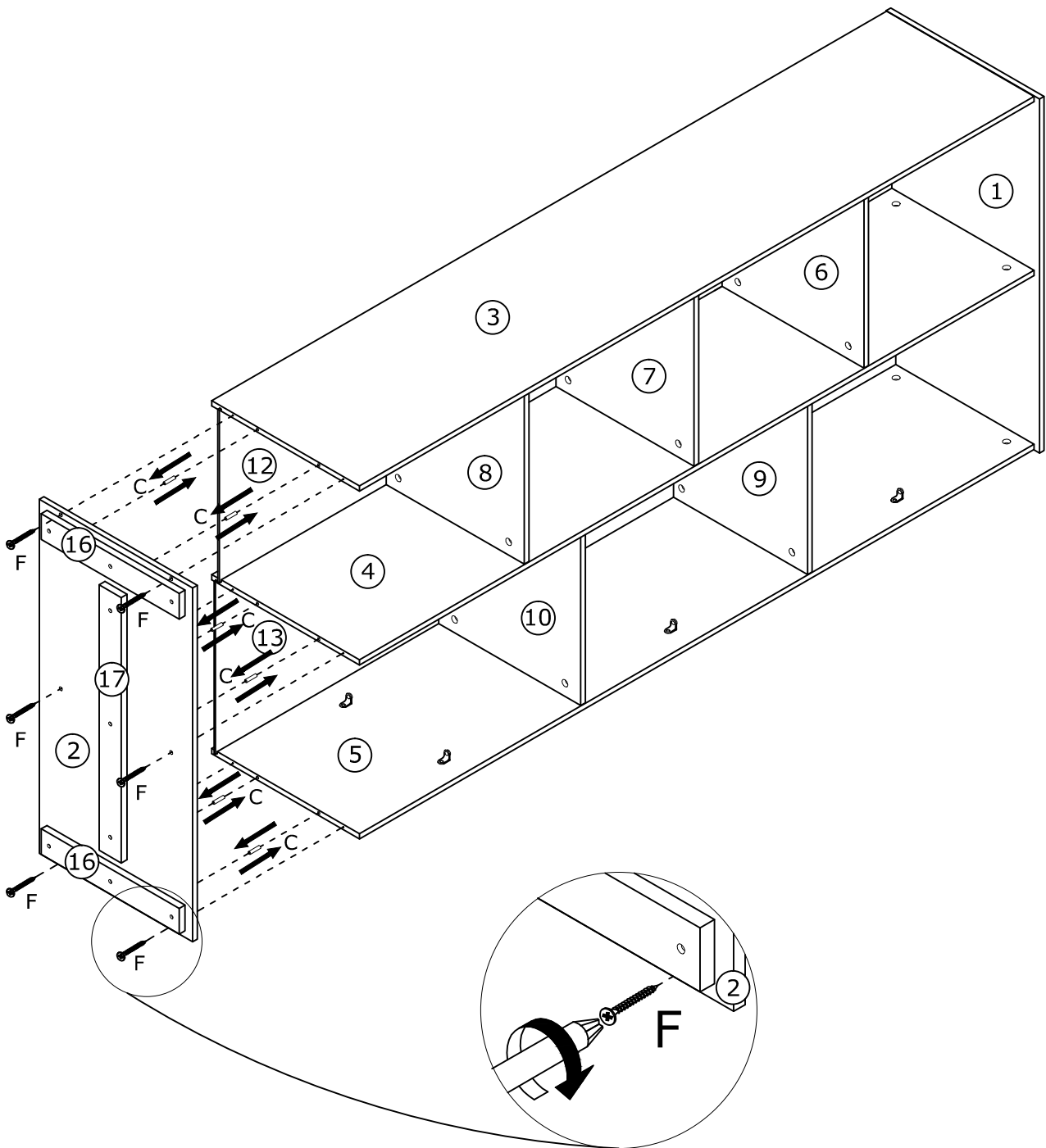


Ø4×30mm


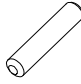



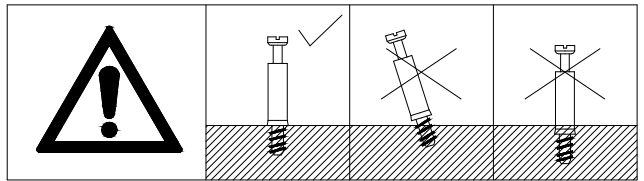
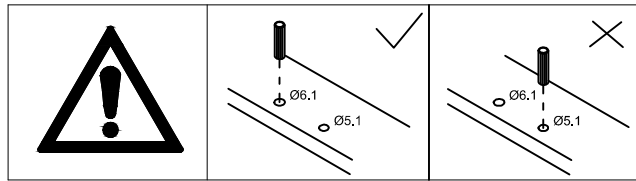
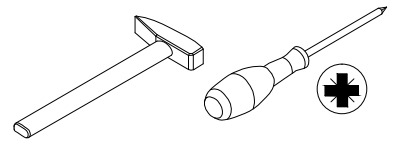
insert wooden dowel (C) into board 2 as shown.

Fix board 3 , 4 and 5 to board 2
with screw(F) as shown.



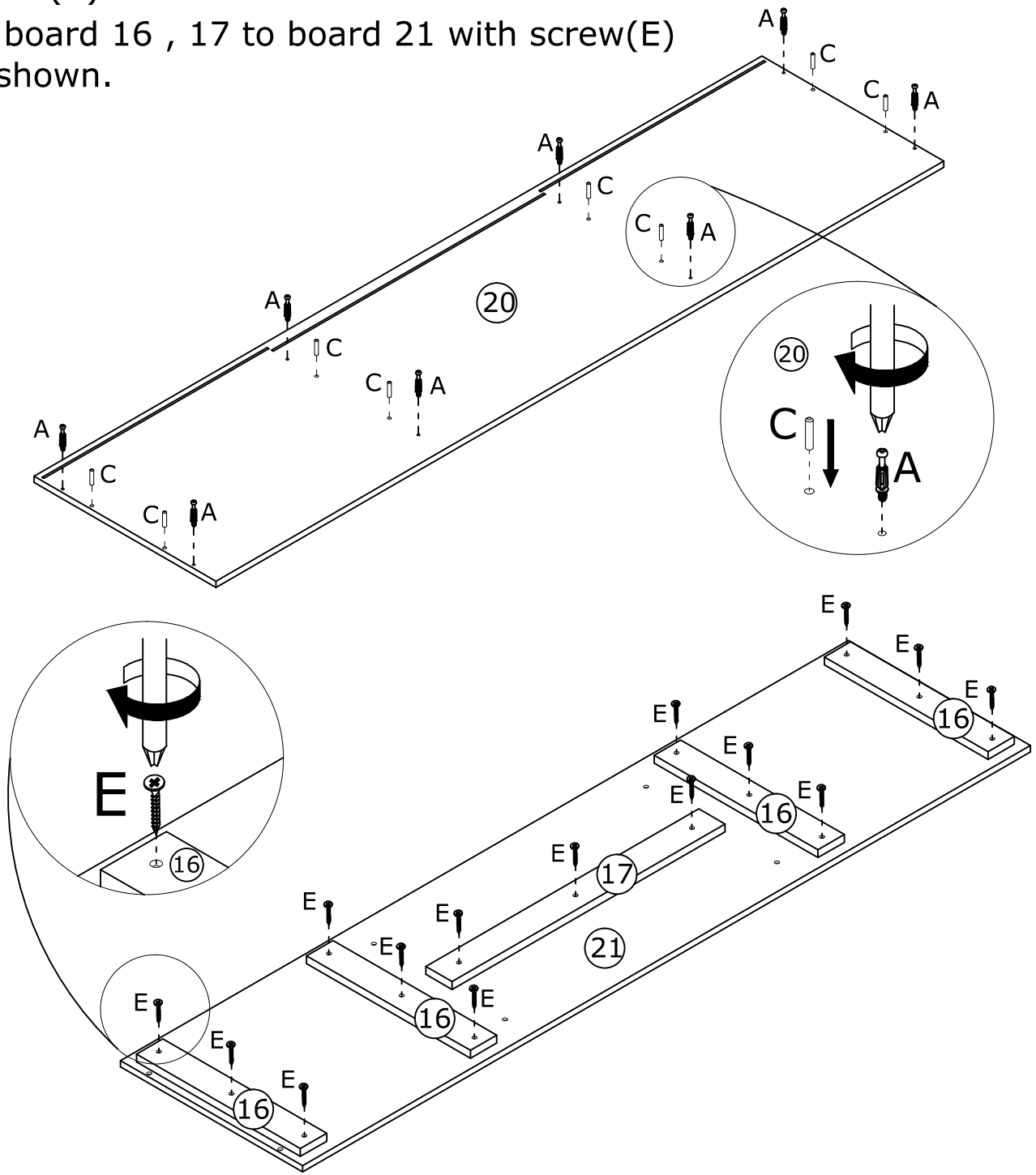
12

A × 8  Ø6×35mm	C × 8  Ø6×30mm	E × 15  Ø4×20mm
---	---	--

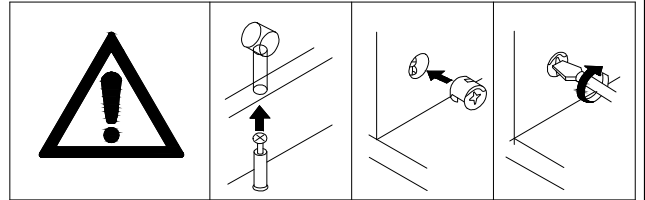
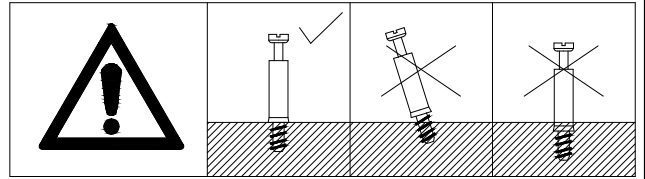
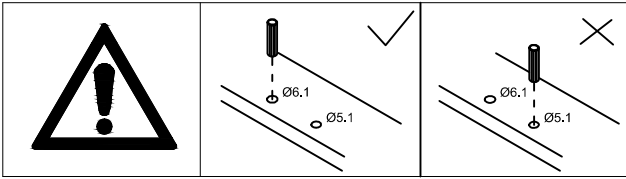
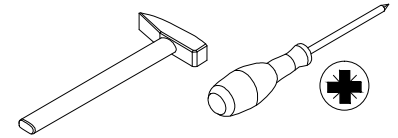
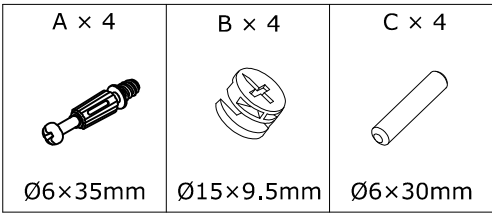


Screw eccentric rod (A) and insert wooden dowel (C) into board 20 as shown.

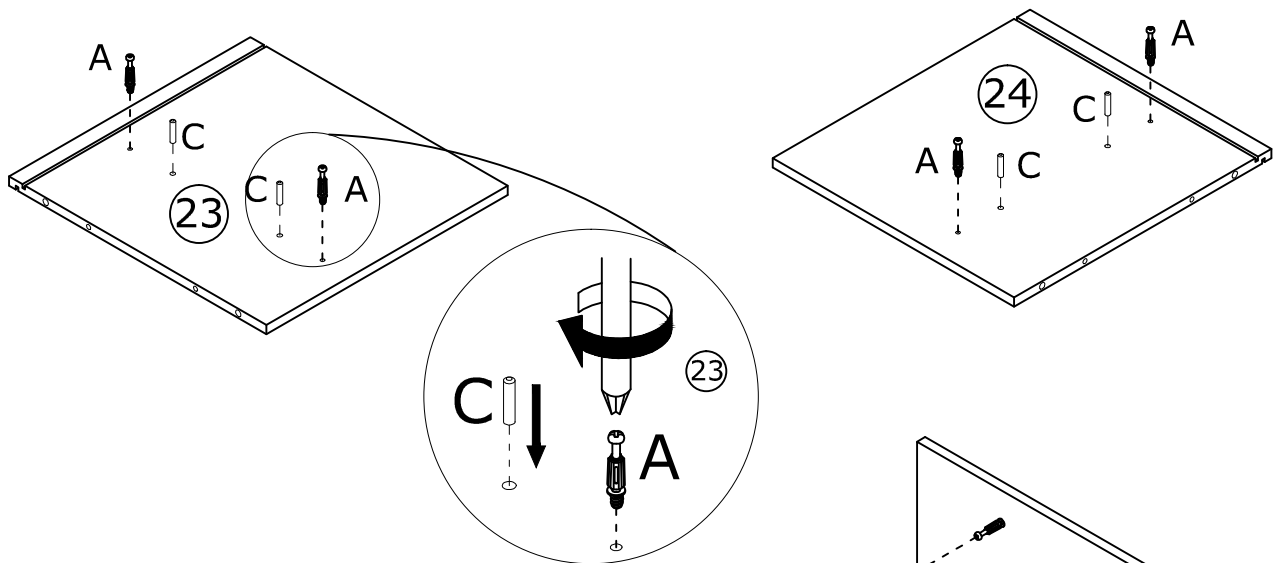
Fix board 16 , 17 to board 21 with screw(E) as shown.



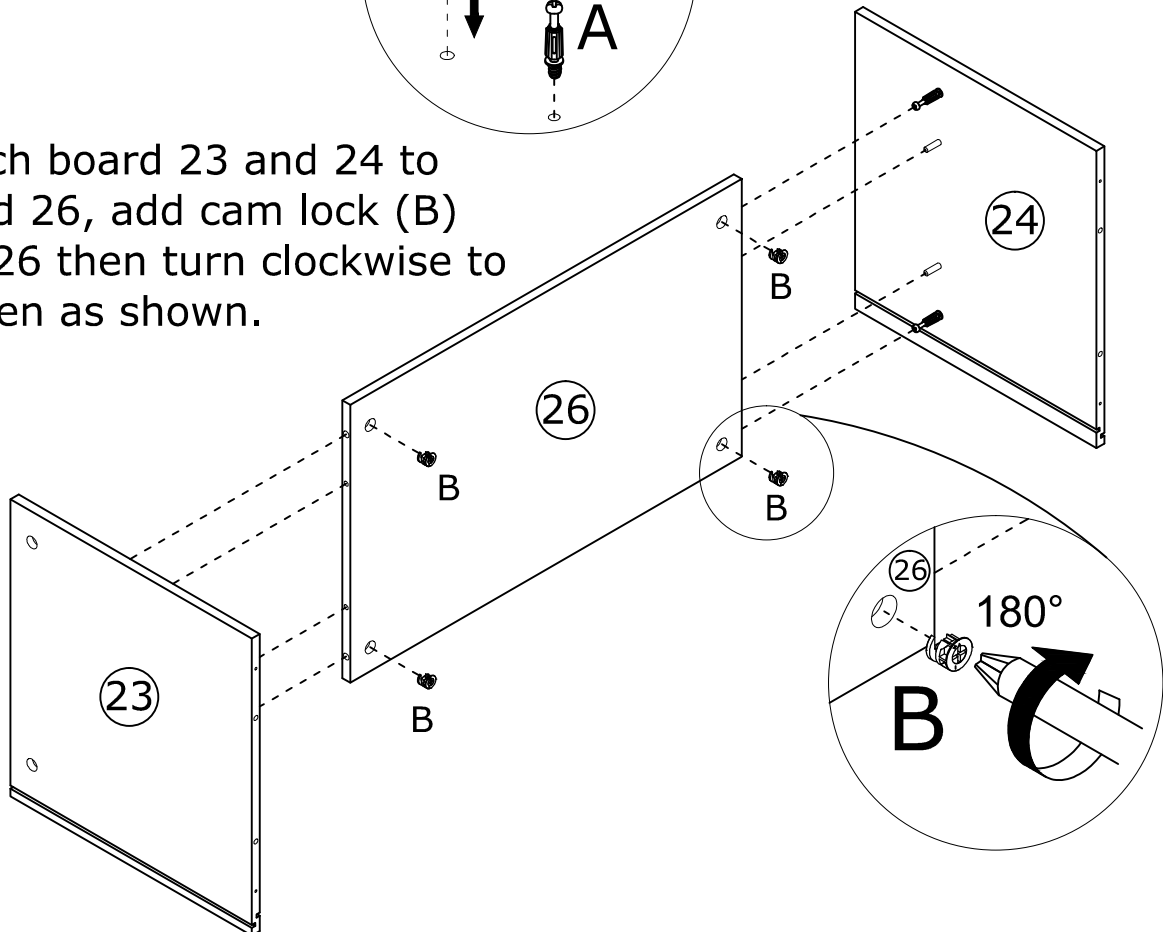
13



Screw eccentric rod (A) and insert wooden dowel (C) into board 23 and 24 as shown.



Attach board 23 and 24 to board 26, add cam lock (B) into 26 then turn clockwise to tighten as shown.

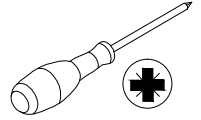


14

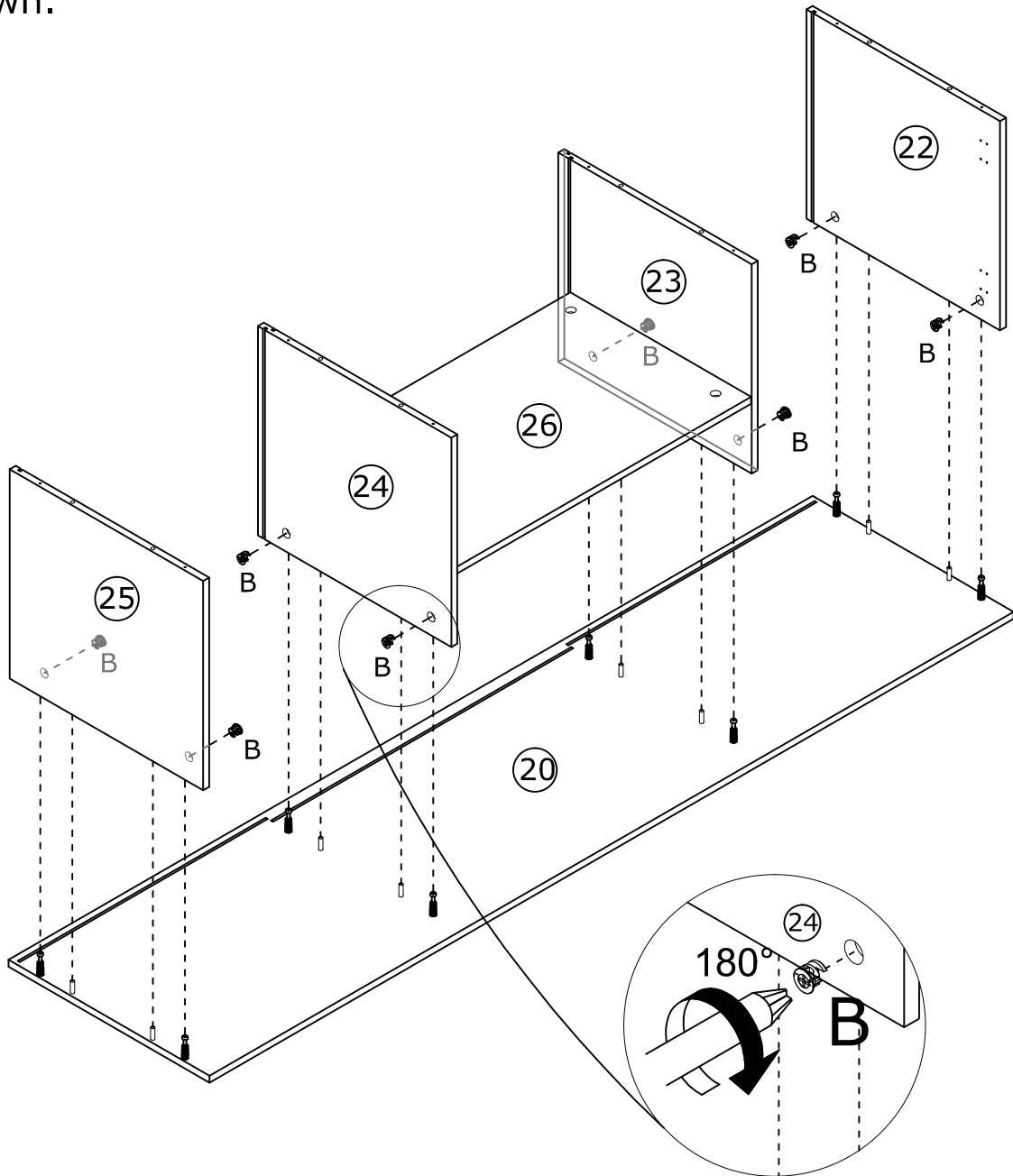
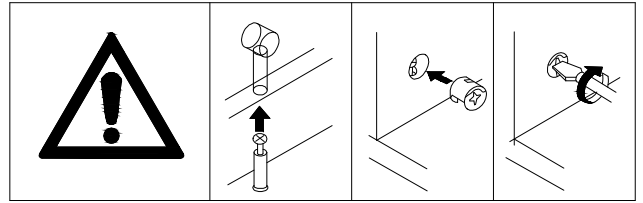
B × 8



Ø15×9.5mm

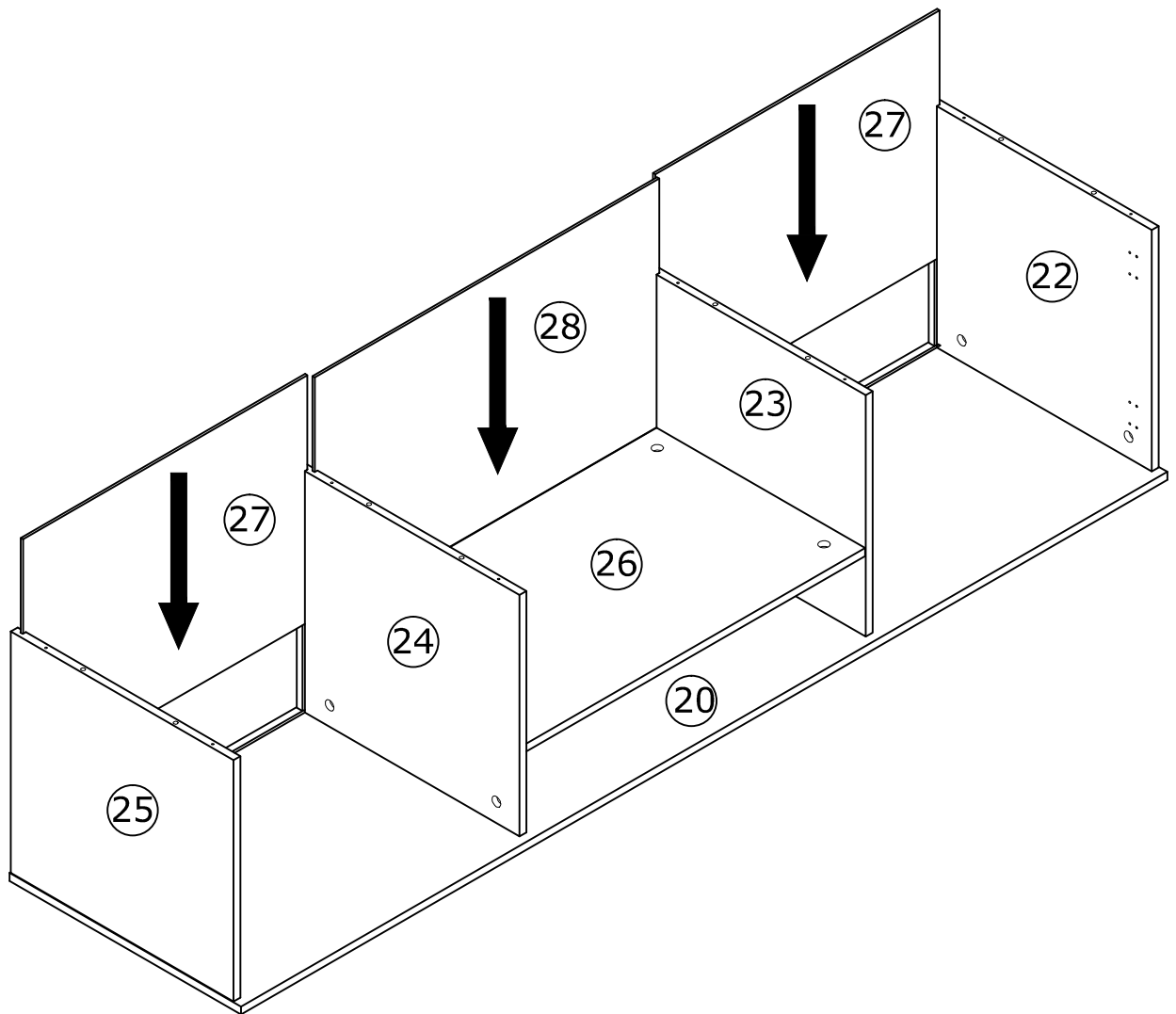


Attach board 20 to board 22 ,
23,24 and 25, add cam lock(B)
into 22 , 23,24 and 25 then
turn clockwise to tighten as
shown.



15

Insert back board 27 and 28 along available grooves as shown.



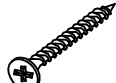
16

C × 8

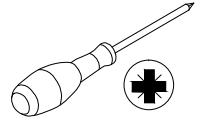


Ø6×30mm

F × 8

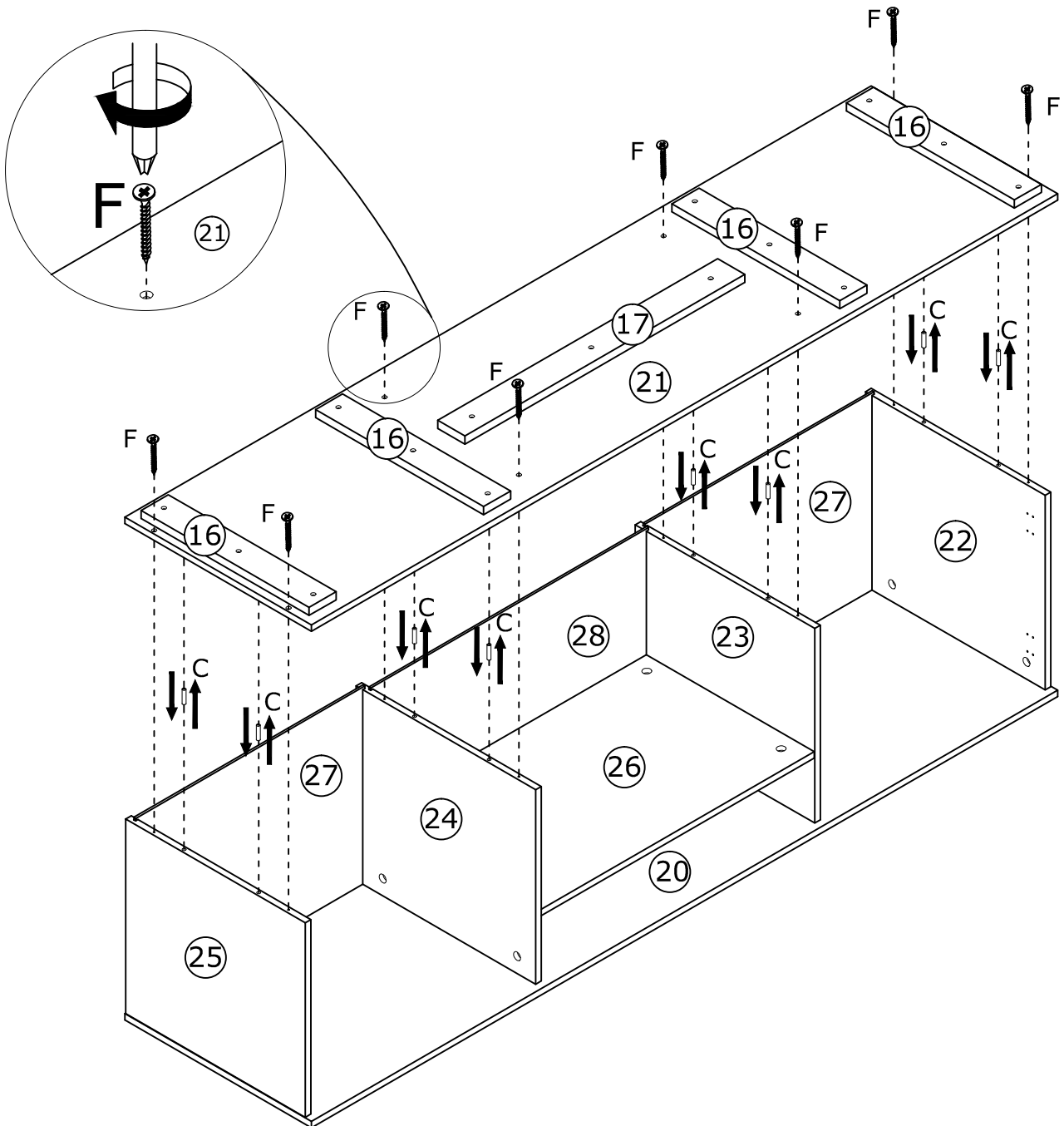


Ø4×30mm

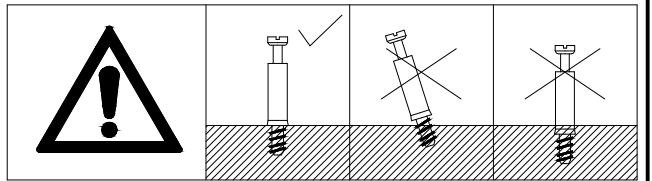
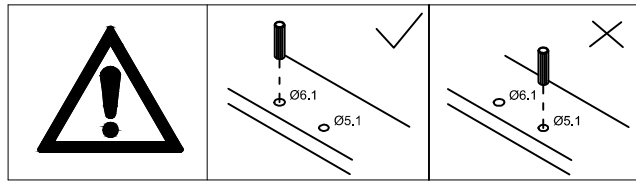
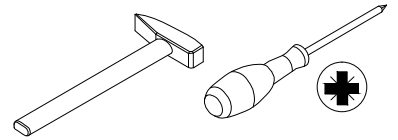
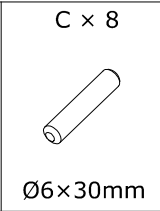
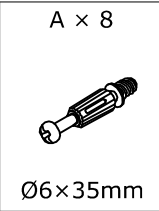


insert wooden dowel (C) into board 2 as shown.

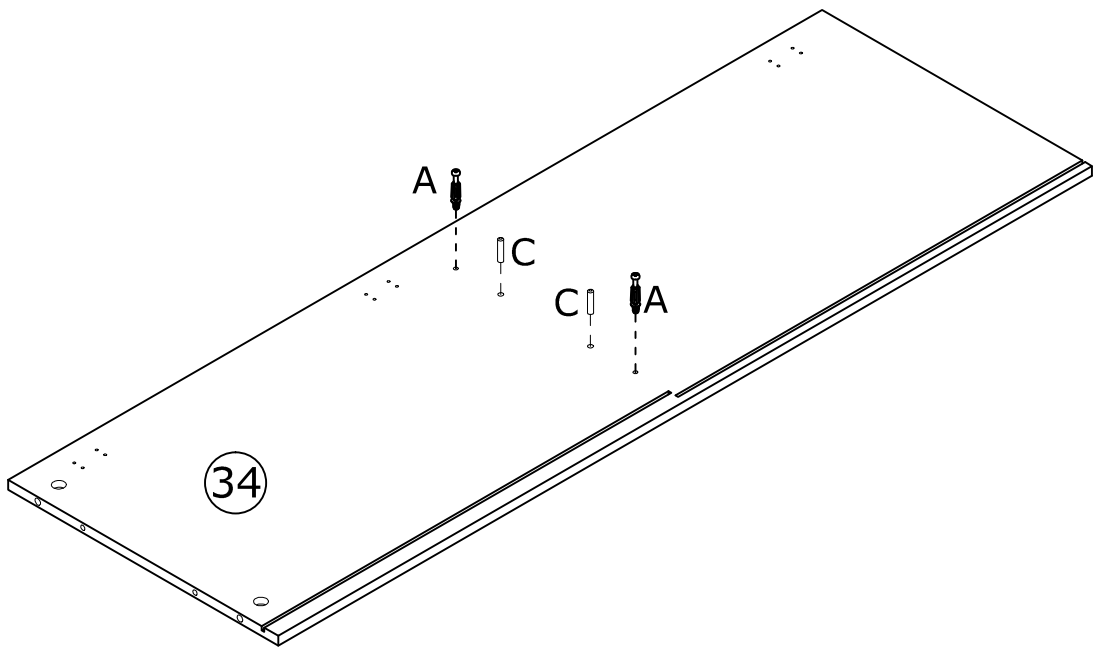
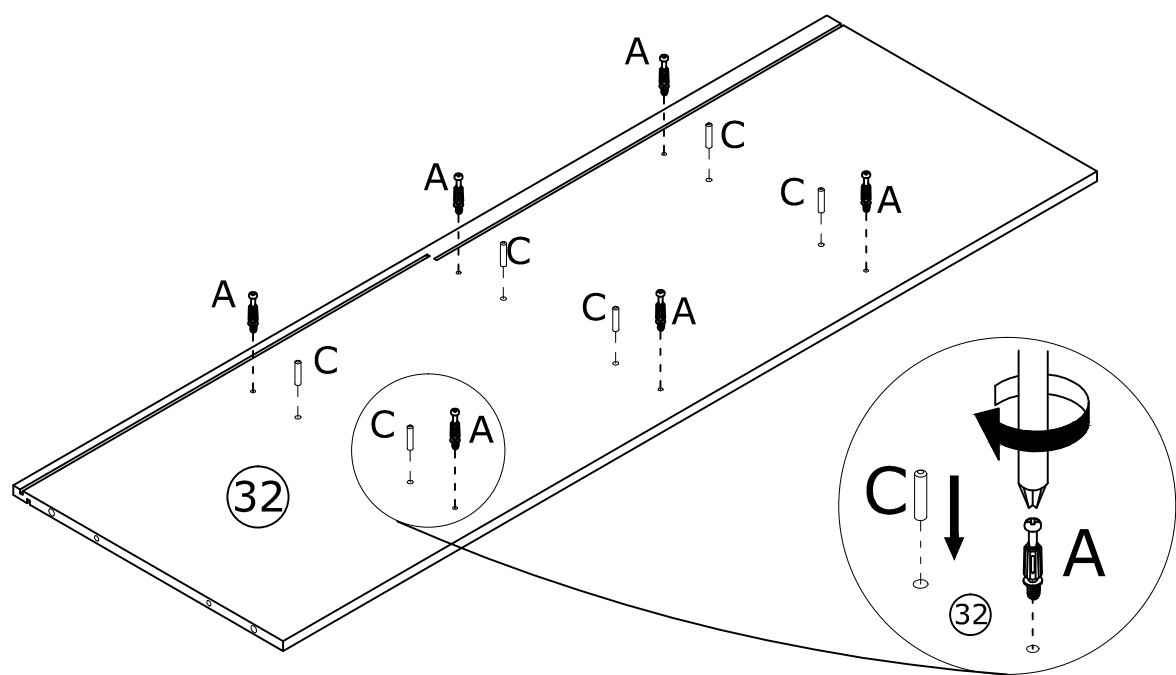
Fix board 22 , 23,24 and 25 to board 21 with screw (F) as shown.



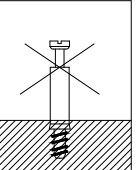
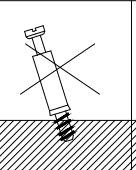
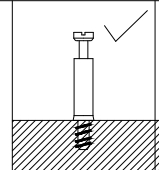
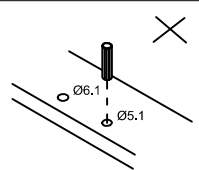
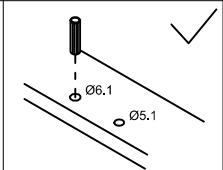
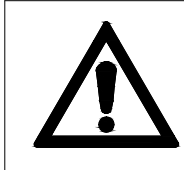
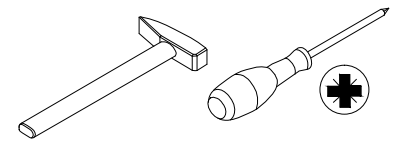
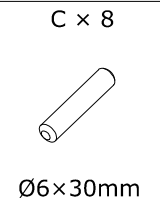
17



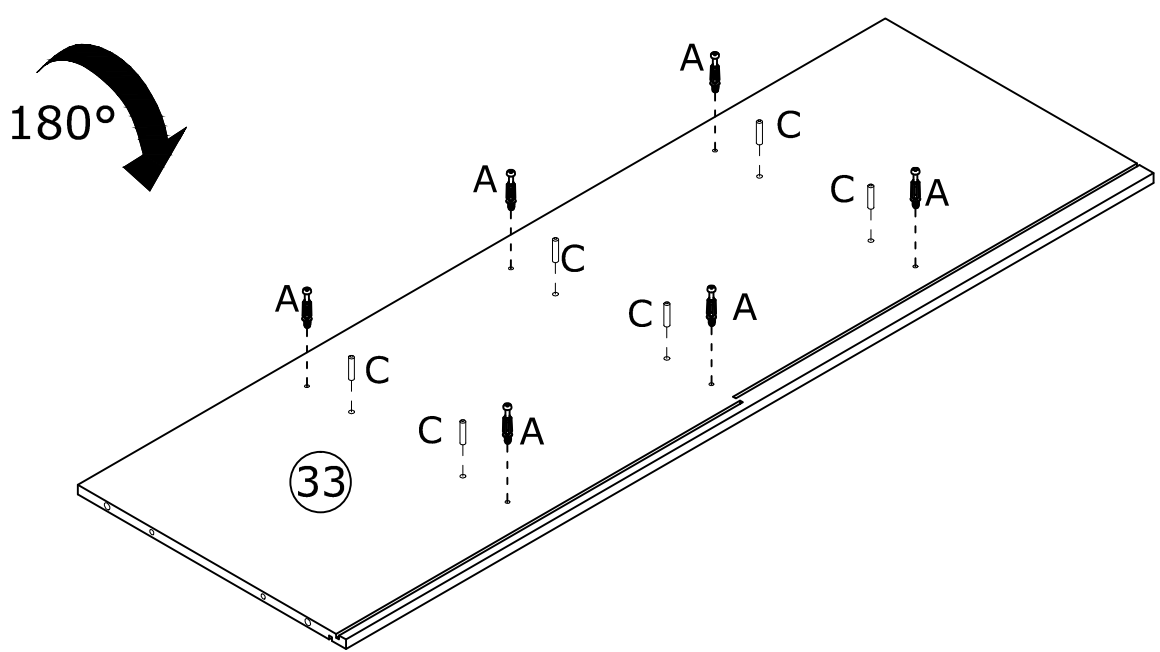
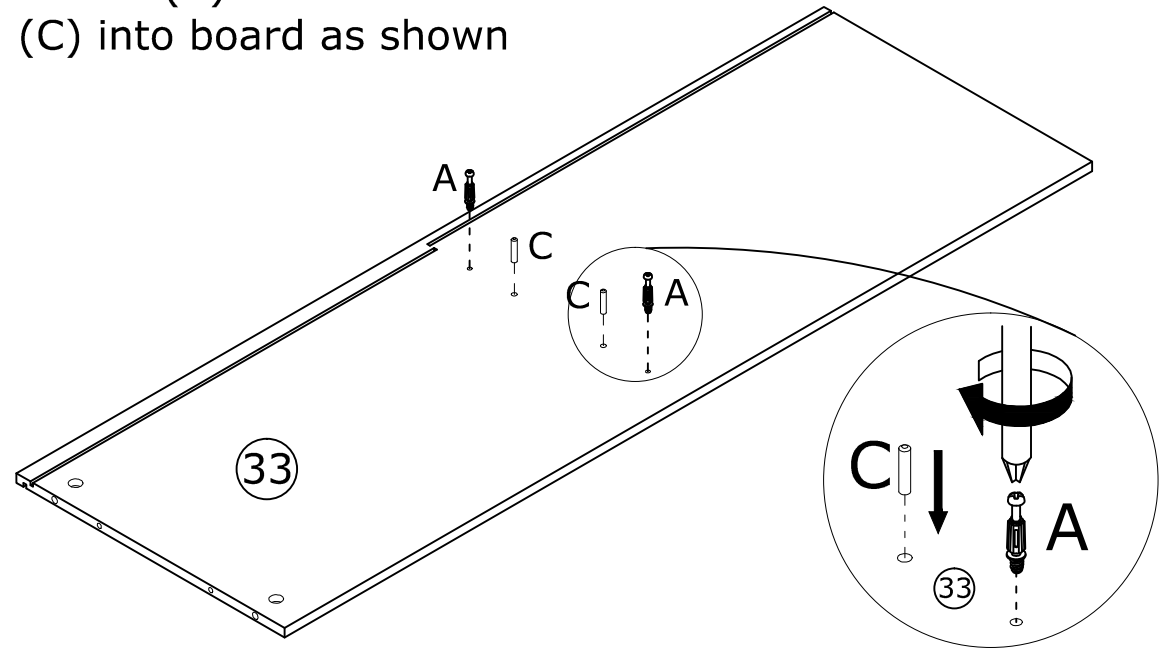
Screw eccentric rod (A) and insert wooden dowel (C) into board 32 and 34 as shown.



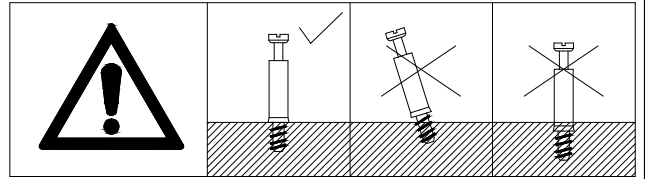
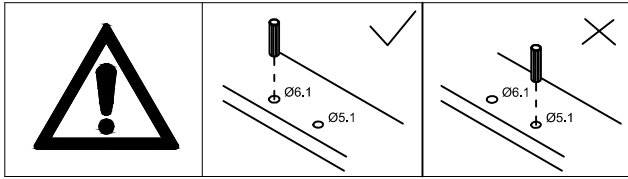
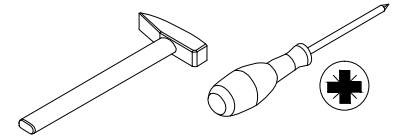
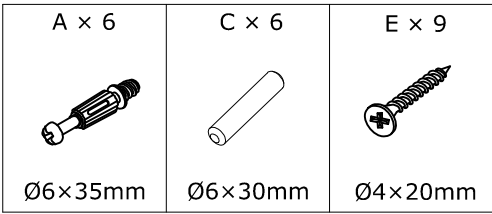
18



Screw eccentric rod (A) and insert wooden dowel (C) into board 33 .
Then flip the board to back screw eccentric rod (A) and insert wooden dowel (C) into board as shown

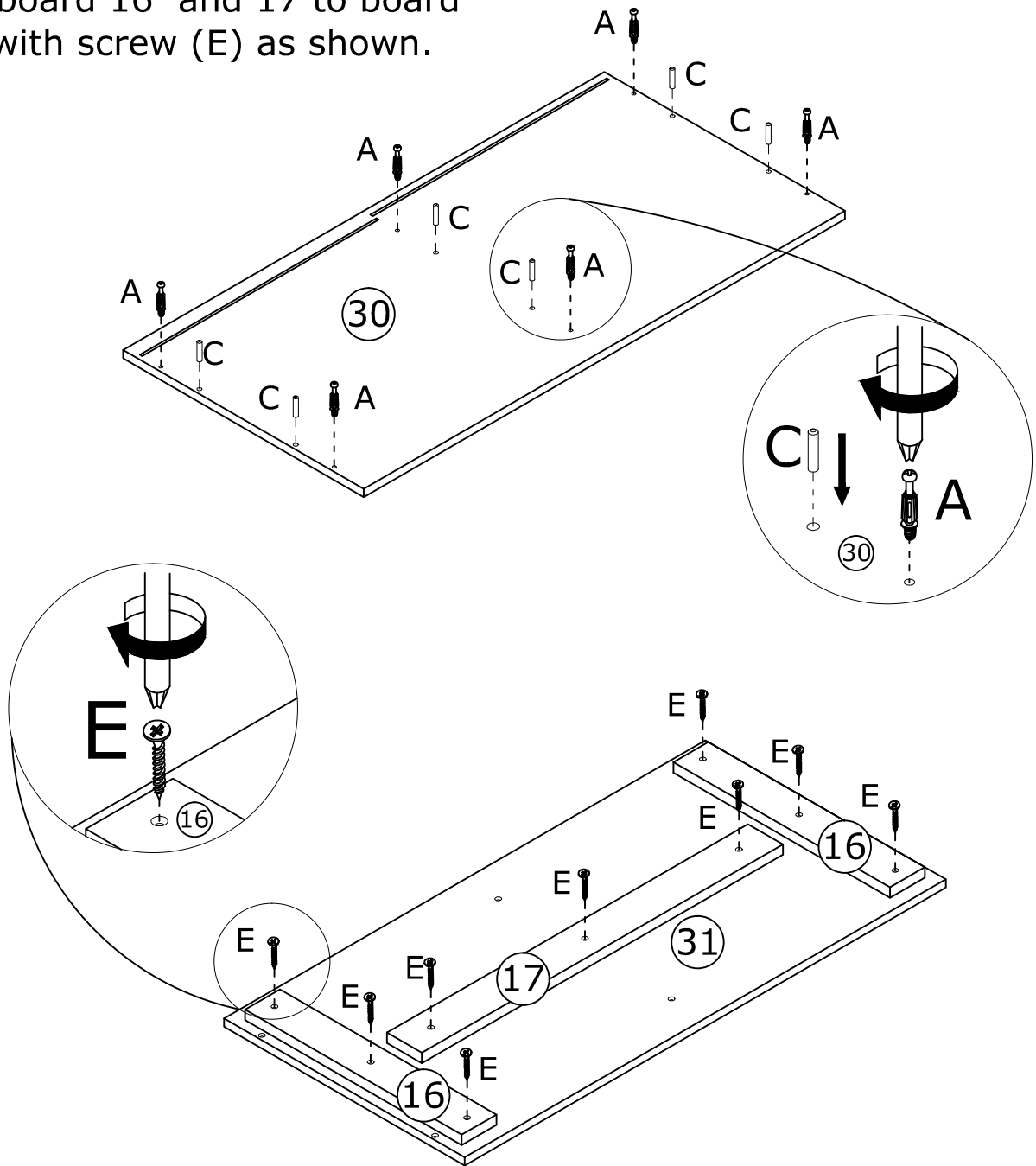


19



Screw eccentric rod (A) and insert wooden dowel (C) into board 30 .

Fix board 16 and 17 to board 31 with screw (E) as shown.

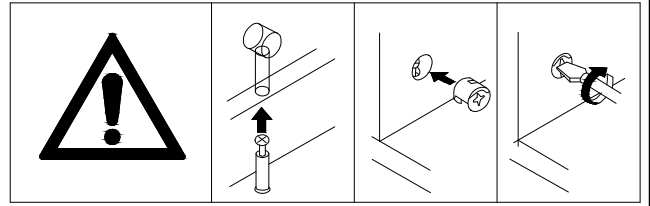
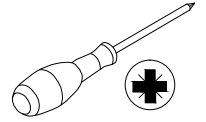


20

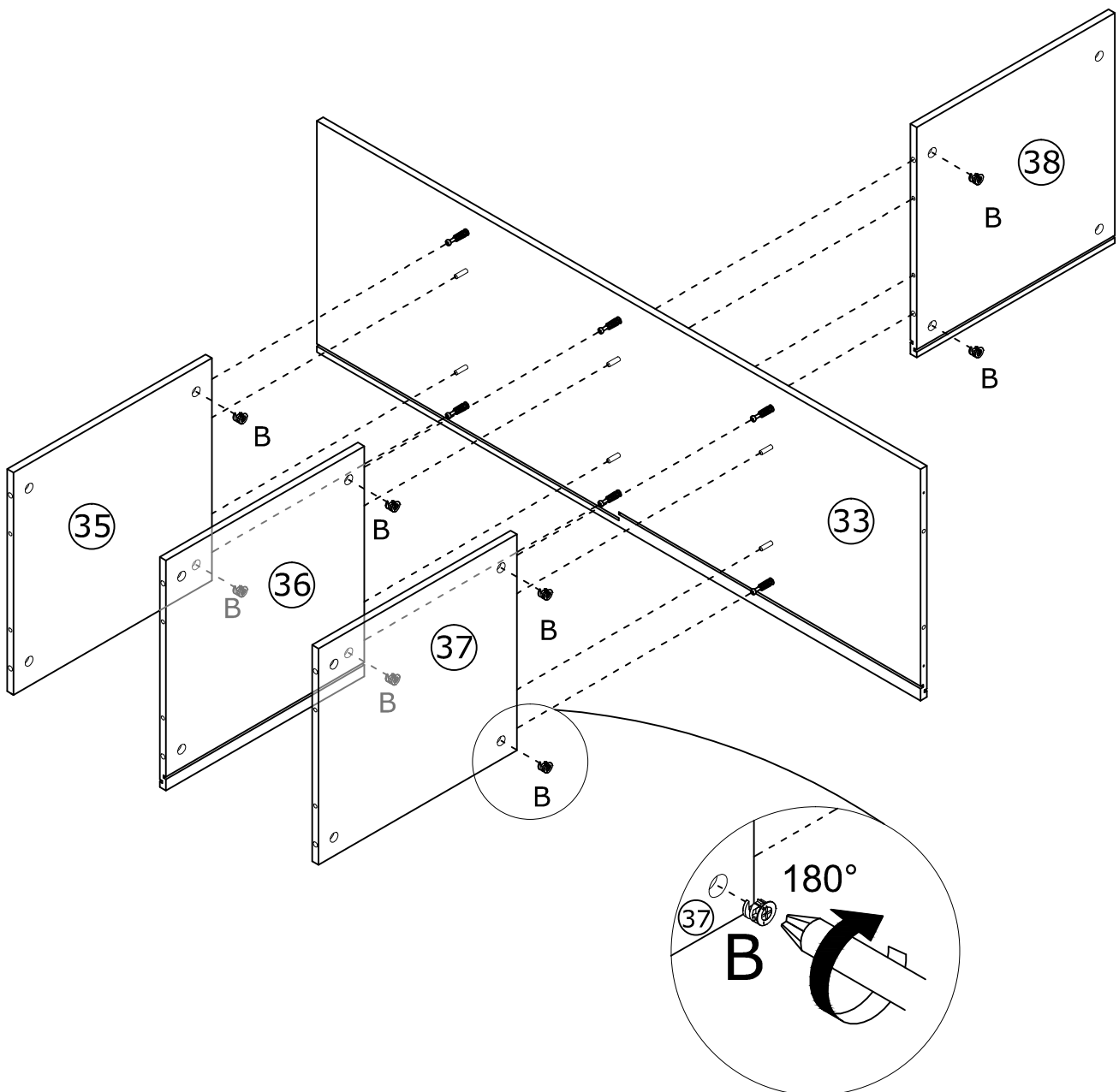
B x 8



Ø15x9.5mm



Attach board 33 to board 35 ,
36,37 and 38, add cam lock(B)
into 35 , 36,37 and 38 then
turn clockwise to tighten as
shown.

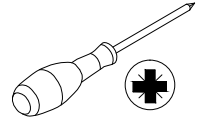


21

B × 8

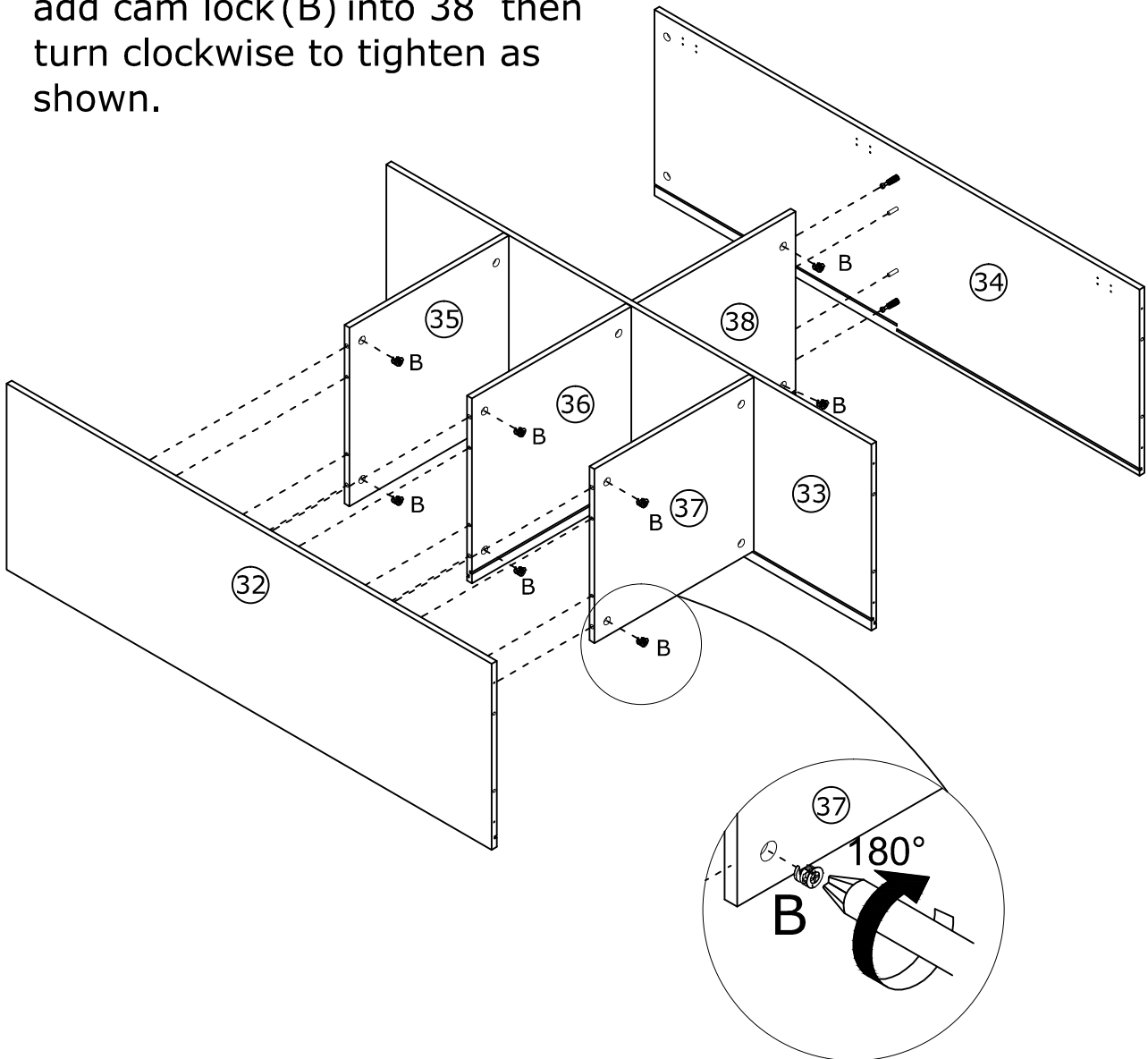
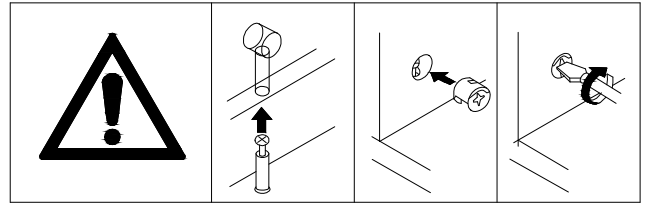


Ø15×9.5mm



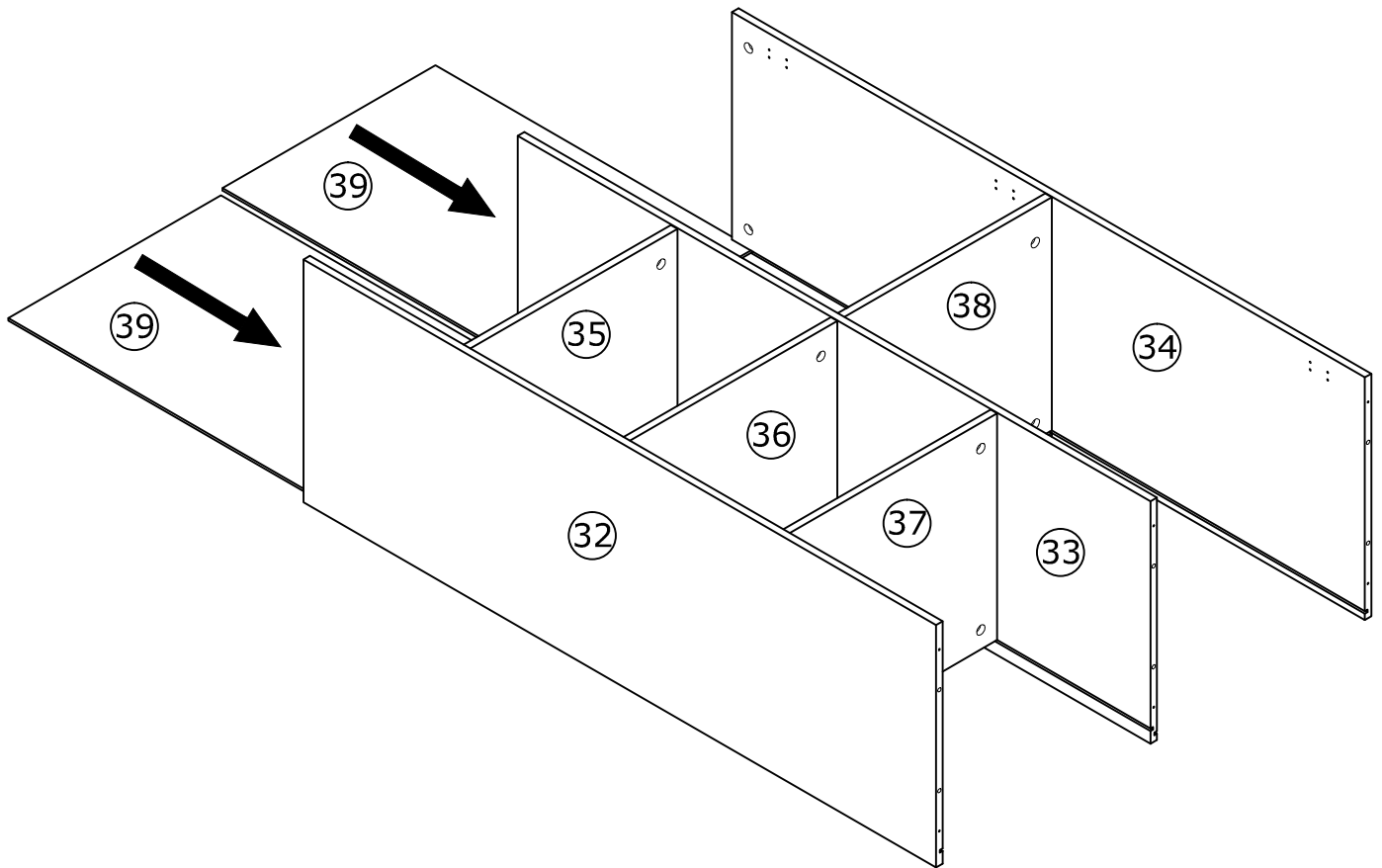
Attach board 32 to board 35 ,
36 and 37, add cam lock(B)
into 35 , 36 and 37 then turn
clockwise to tighten as shown.

Attach board 34 to board 38,
add cam lock(B) into 38 then
turn clockwise to tighten as
shown.



22

Insert back board 39 along available grooves as shown.

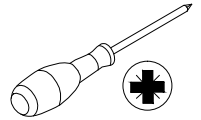


23

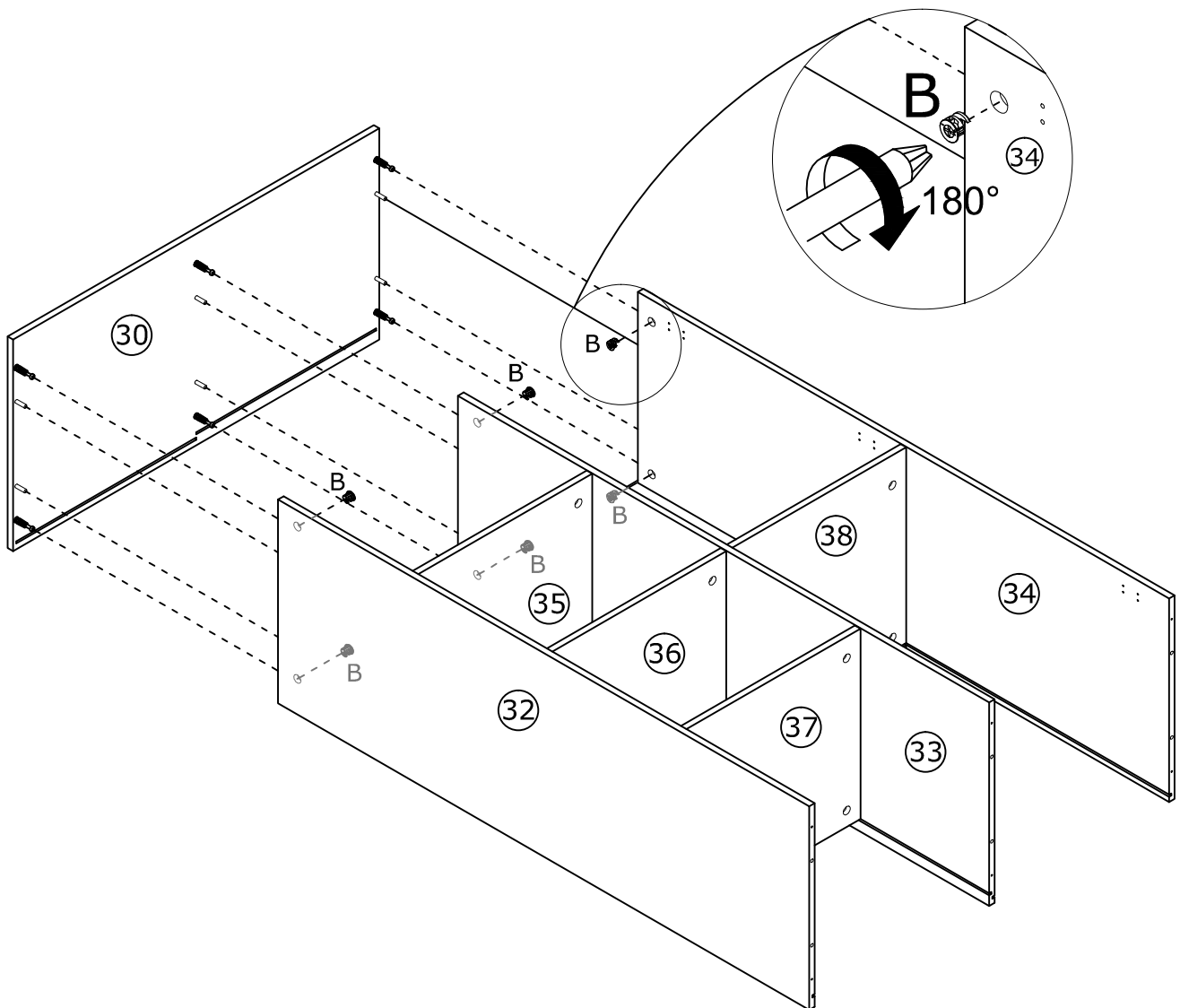
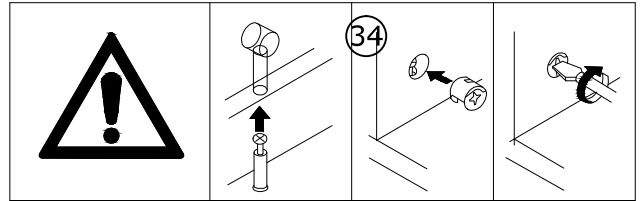
B × 6



Ø15×9.5mm

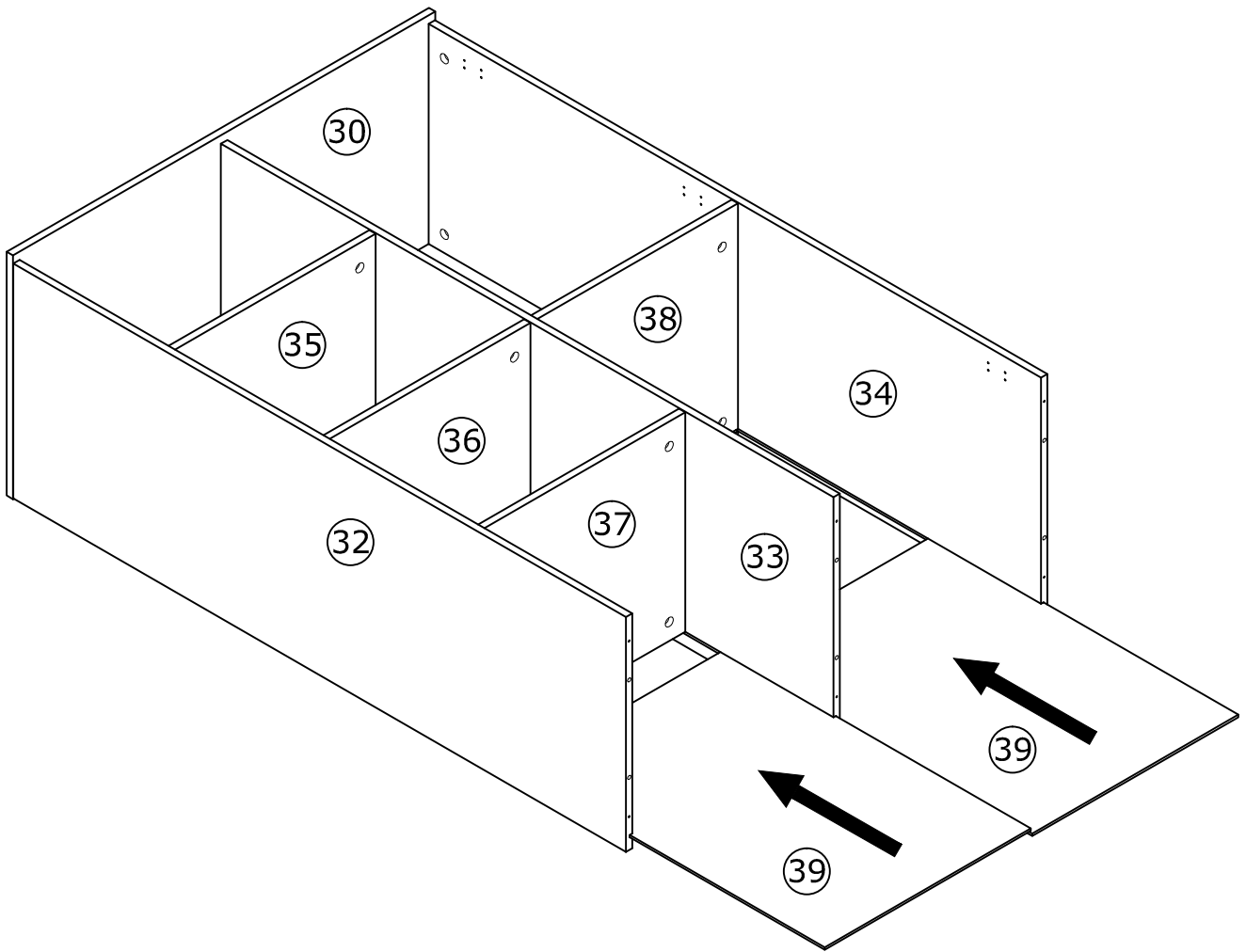


Attach board 30 to board 32 ,
33 and 34, add cam lock(B)
into 32 , 33 and 34 then turn
clockwise to tighten as shown.



24

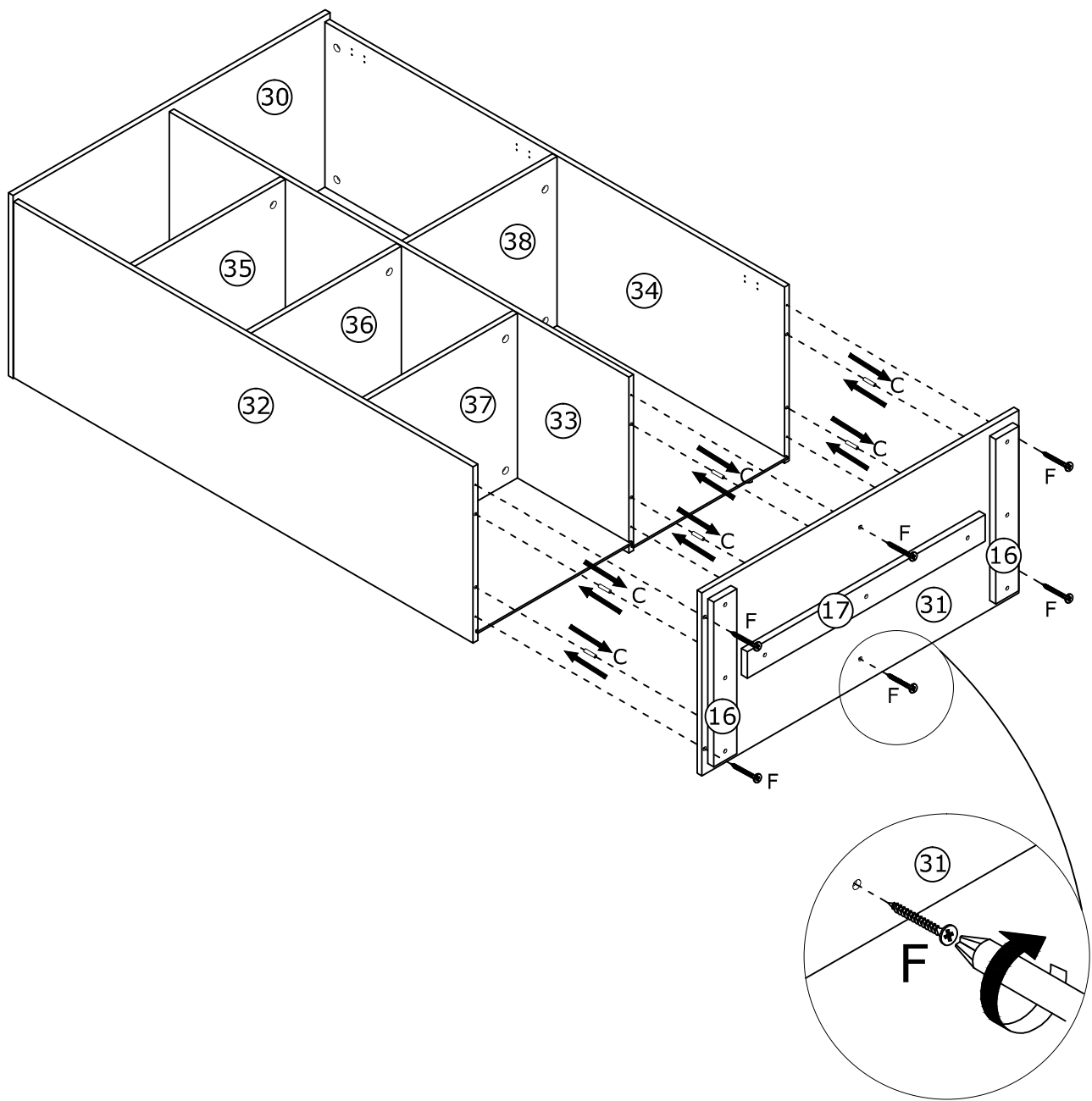
Insert back board 39 along available grooves as shown.



25

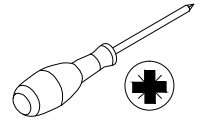
C × 6  Ø6×30mm	F × 6  Ø4×30mm	
---	---	---

insert wooden dowel (C) into board 31 as shown.
Fix board 32 , 33 and 34 to board 31 with screw(F) as shown.

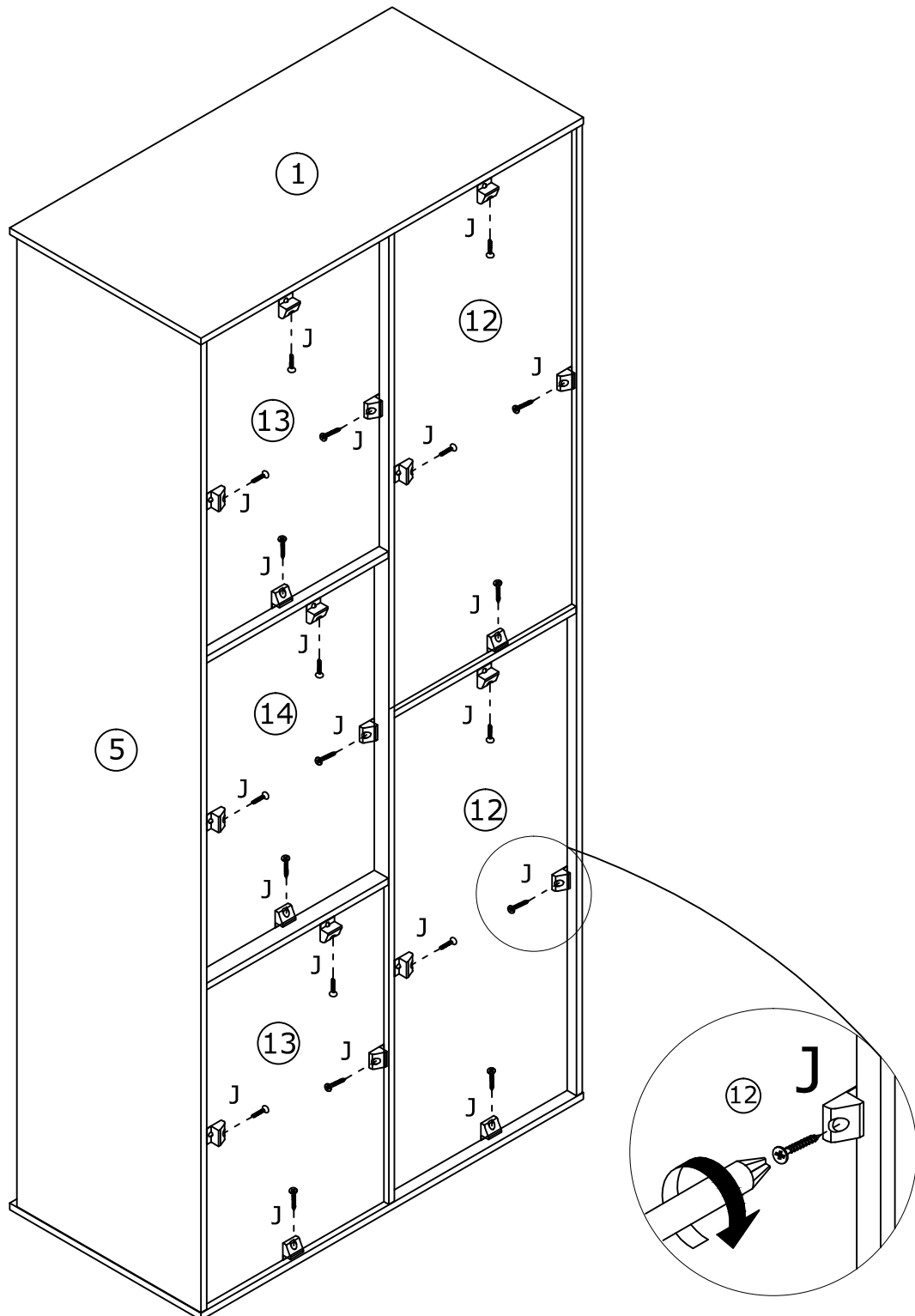


26

J x 20
Ø3x14mm

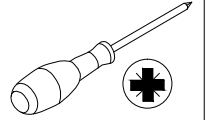


Insert buckle (J) into back slots and fix to tighten as shown.

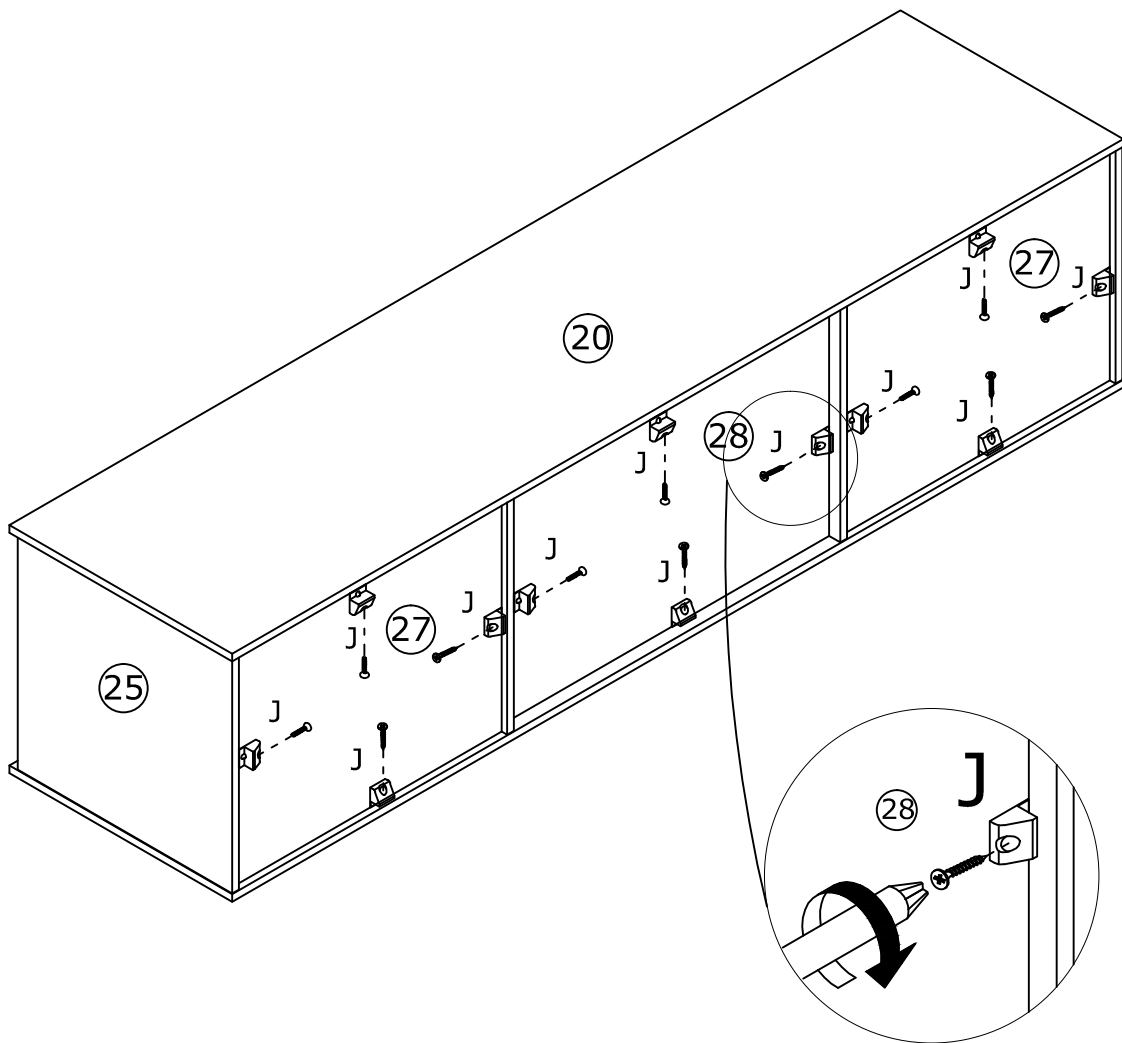


27

J x 12
Ø3x14mm

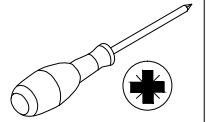


Insert buckle (J) into back slots and fix to tighten as shown.

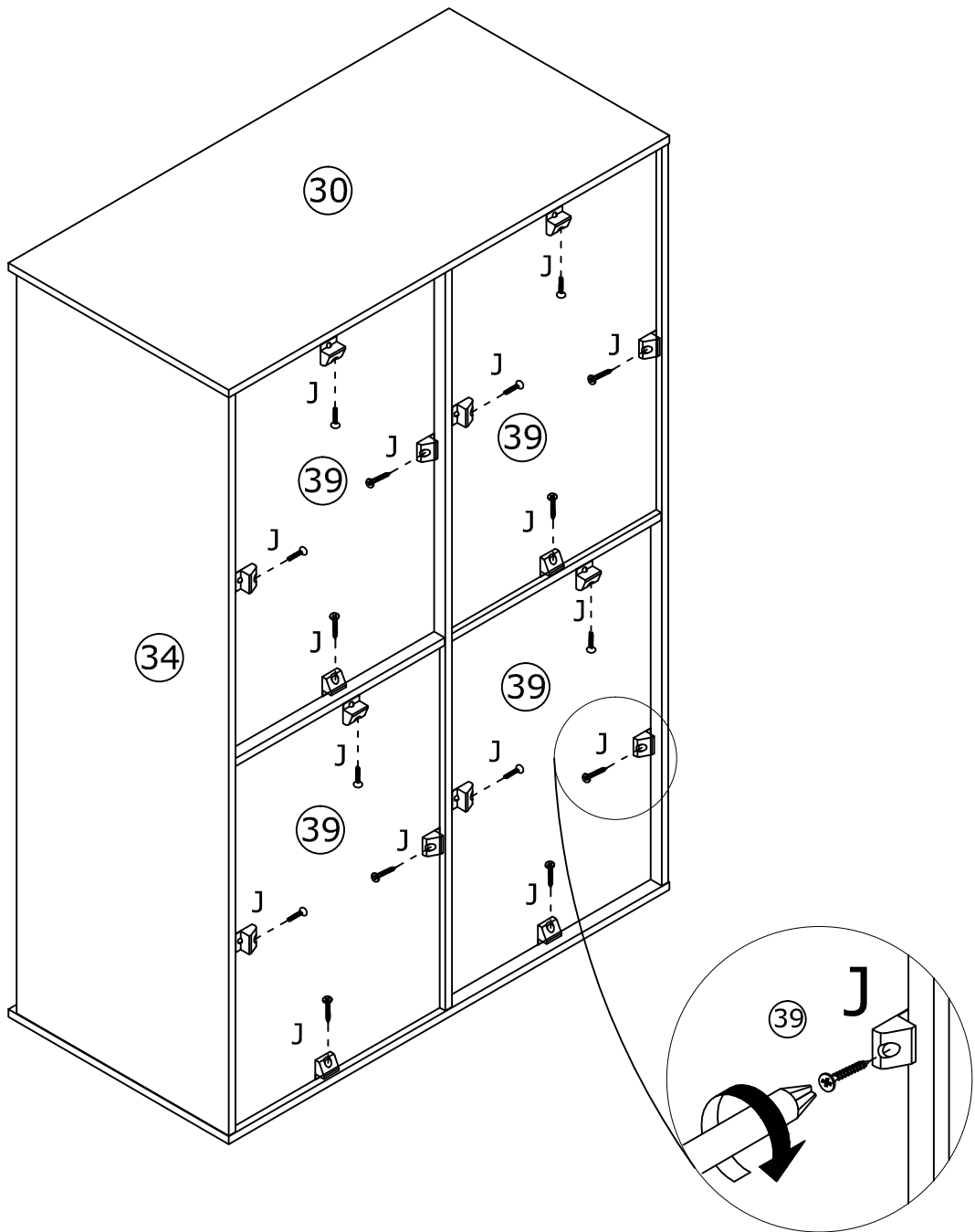


28

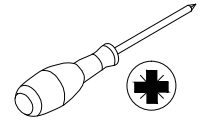
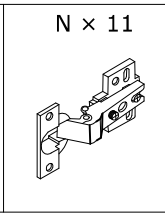
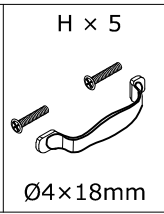
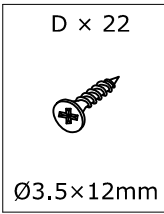
J x 16
Ø3x14mm



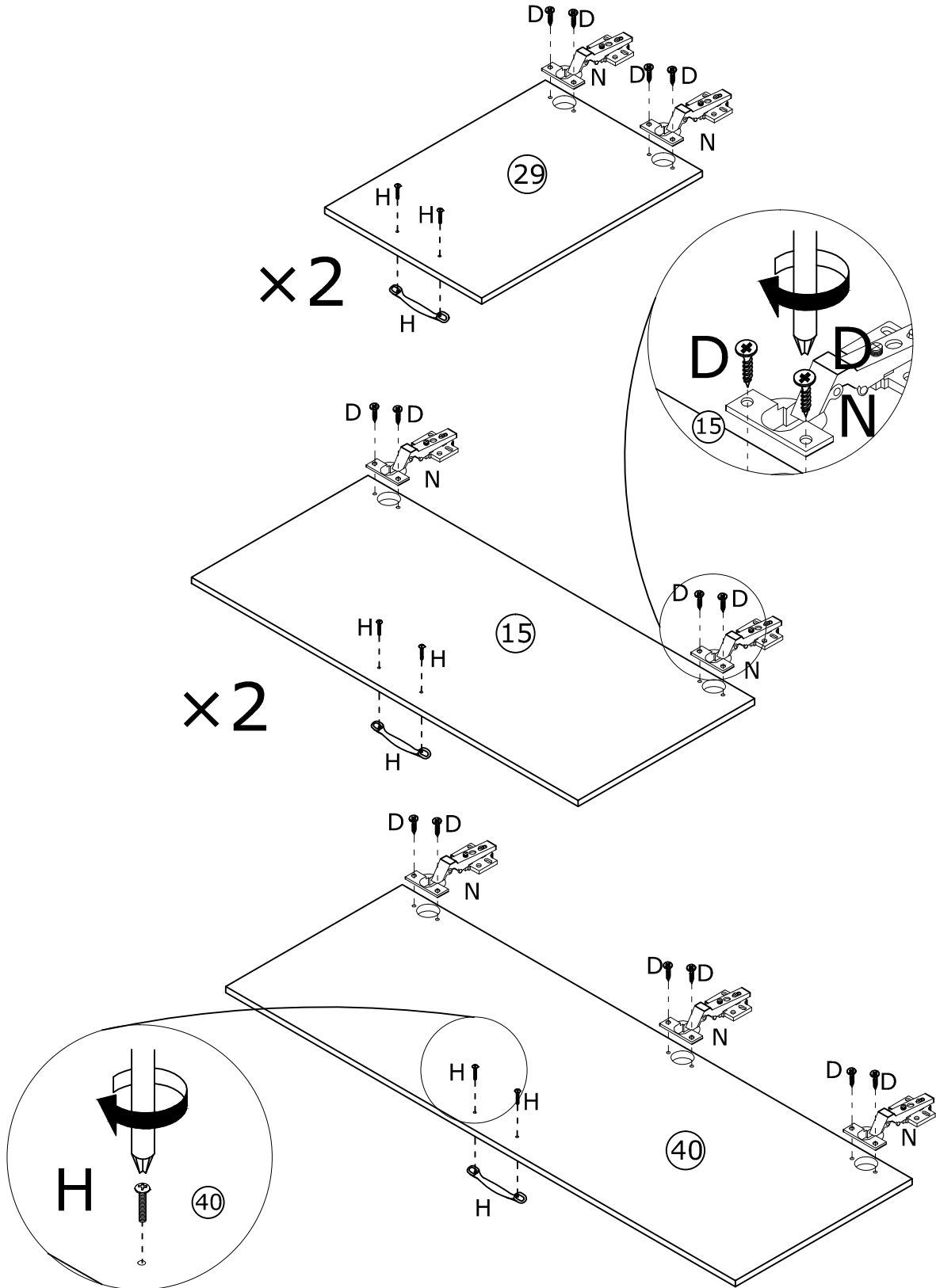
Insert buckle (J) into back slots and fix to tighten as shown.



29



Fix hinge (N) to the door board 29,15 and 40 with screw (D) as shown.
Fix handle (H) to the door board 29,15 and 40 as shown.

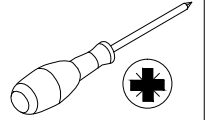


30

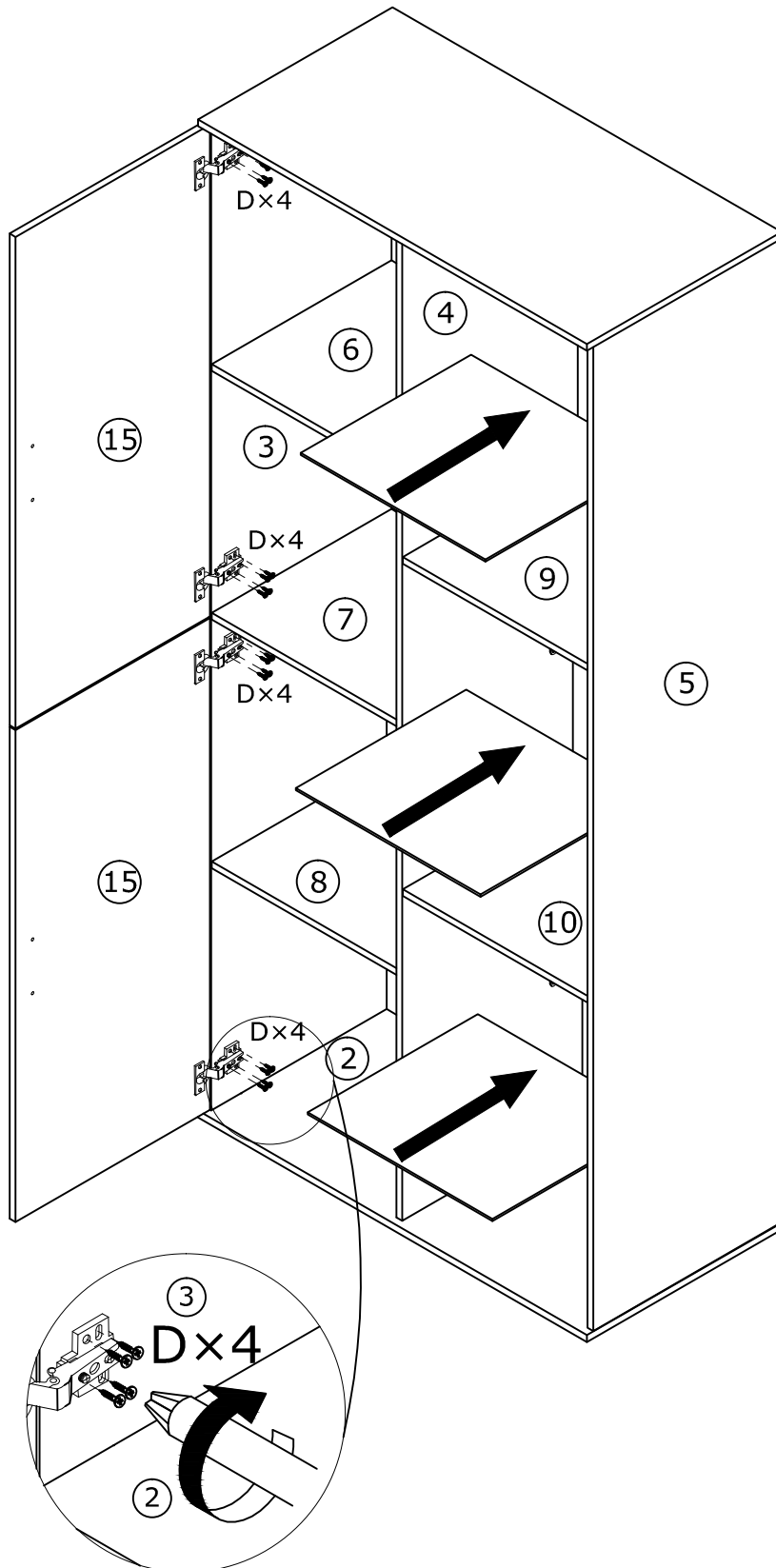
D × 16



Ø3.5×12mm



Fix the hinge of door board 15 to cabinet with screw (D) as shown.

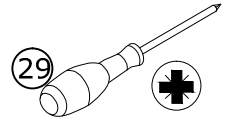


31

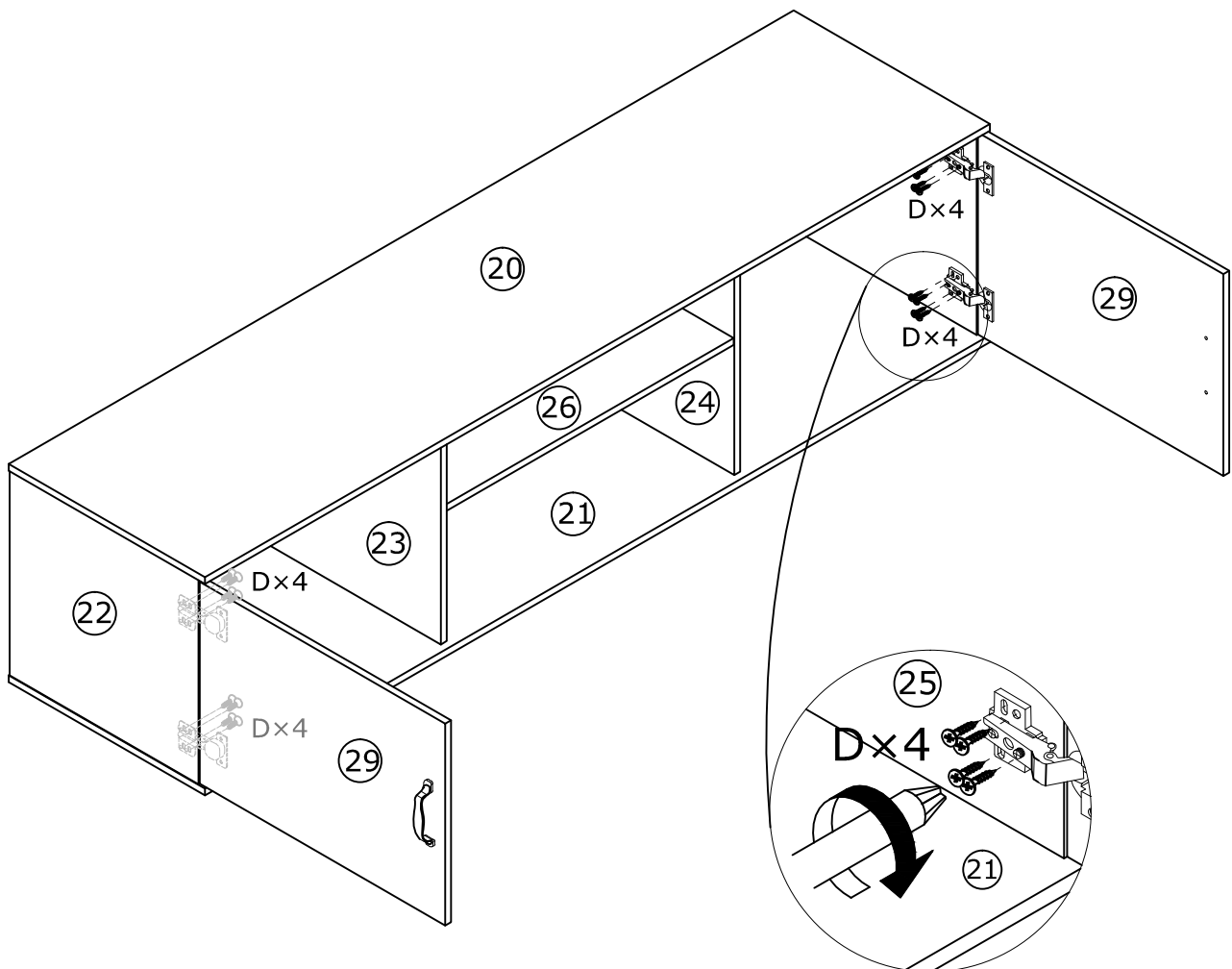
D x 16



Ø3.5x12mm



Fix the hinge of door board 29 to cabinet with screw (D) as shown.

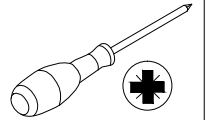


32

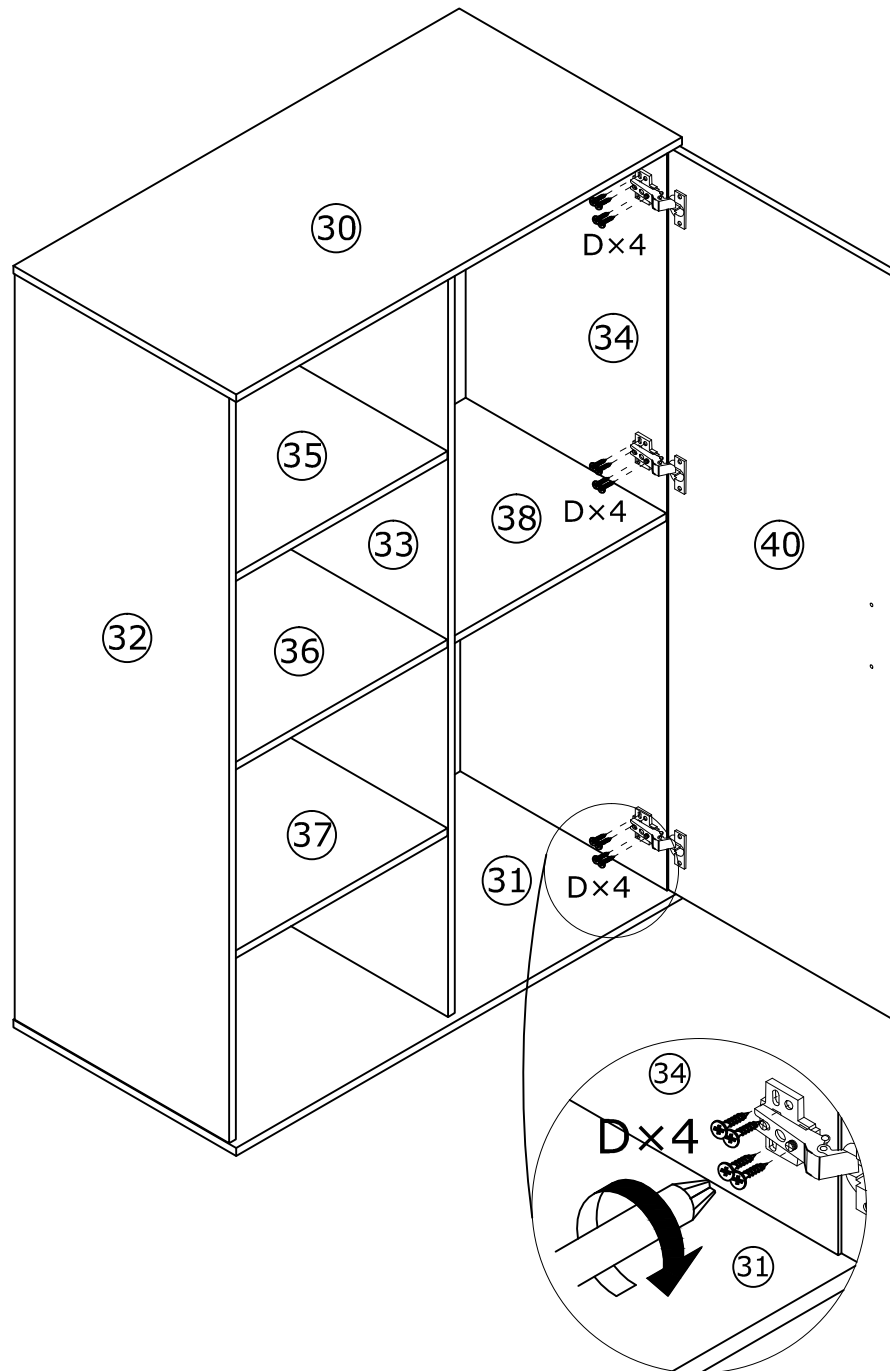
D x 12



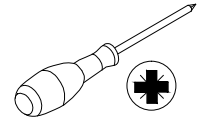
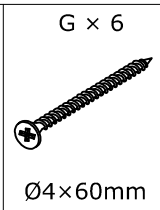
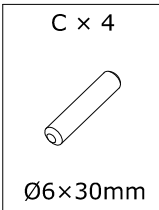
Ø3.5x12mm



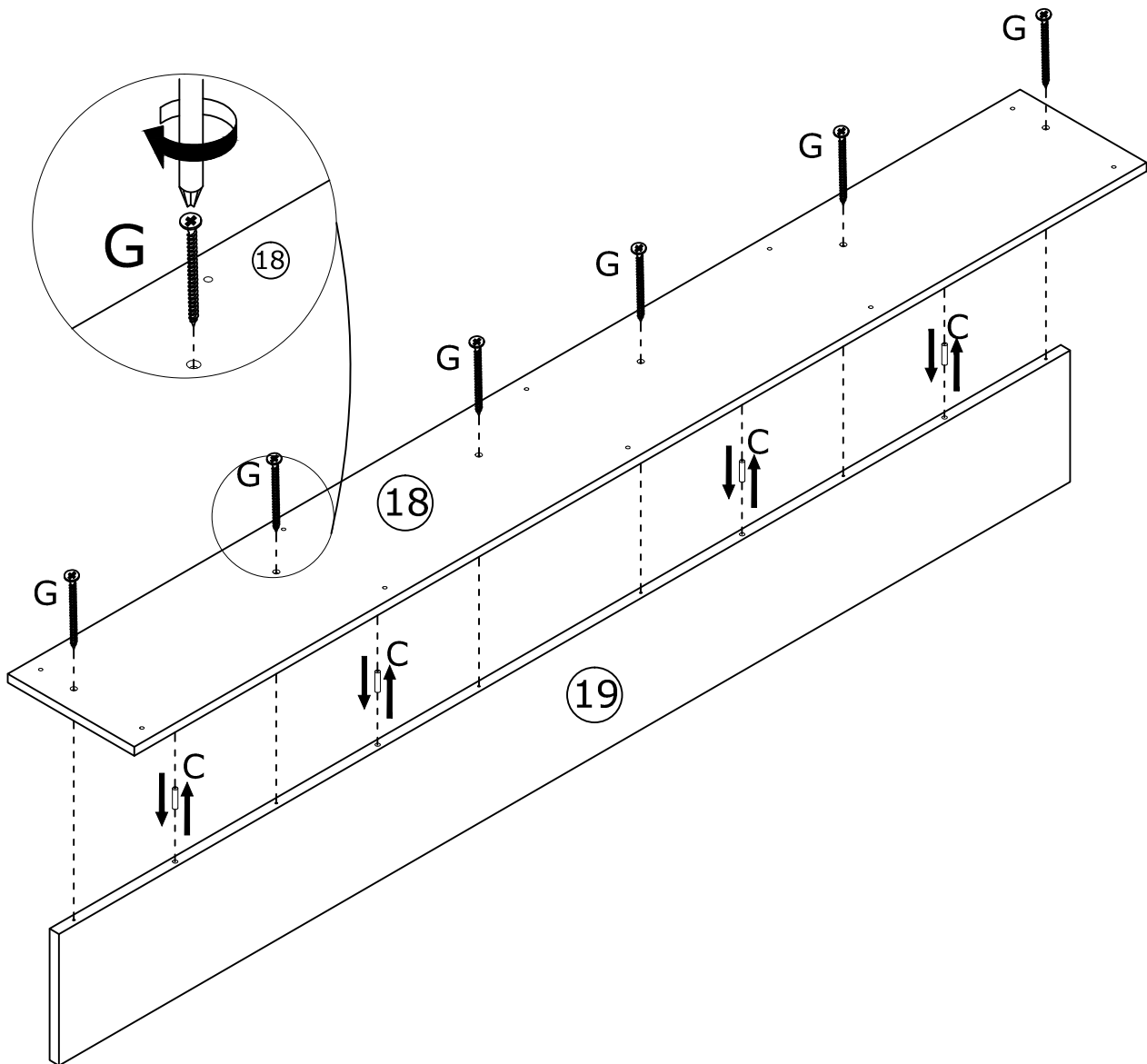
Fix the hinge of door board 40 to cabinet with screw (D) as shown.



33

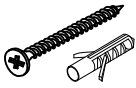


insert wooden dowel (C) into board 19 as shown.
Fix board 18 to board 19 with screw (G) as shown.

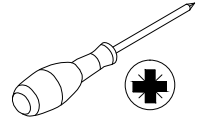


34

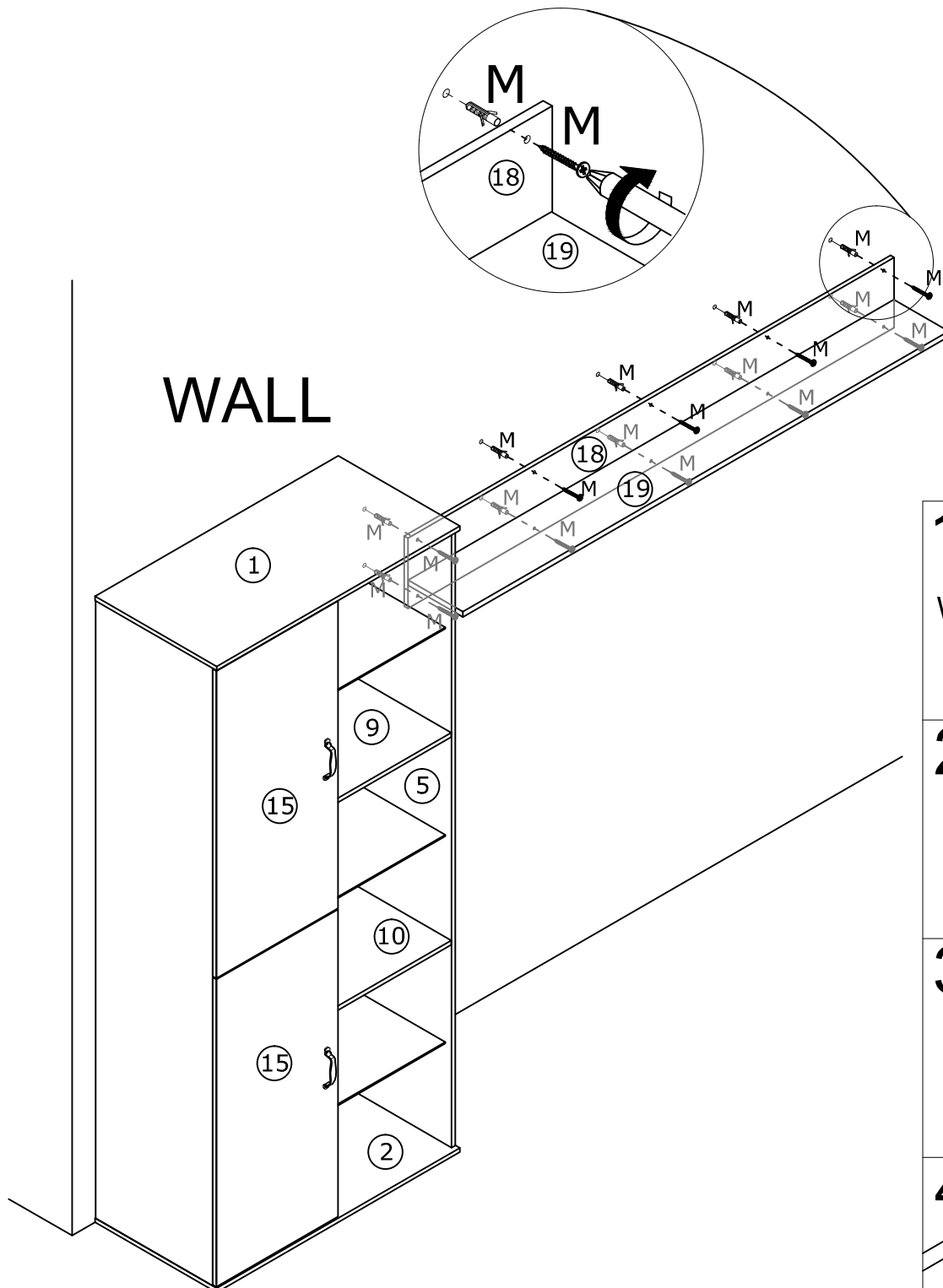
M × 10



Ø6×60mm






Drill holes on wall, knock part (M) into the holes.
Install anti-tipping device as shown.

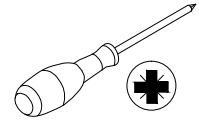


WALL

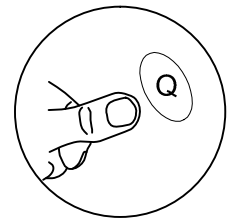
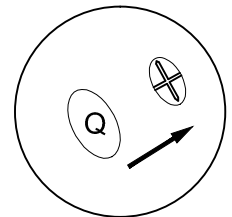
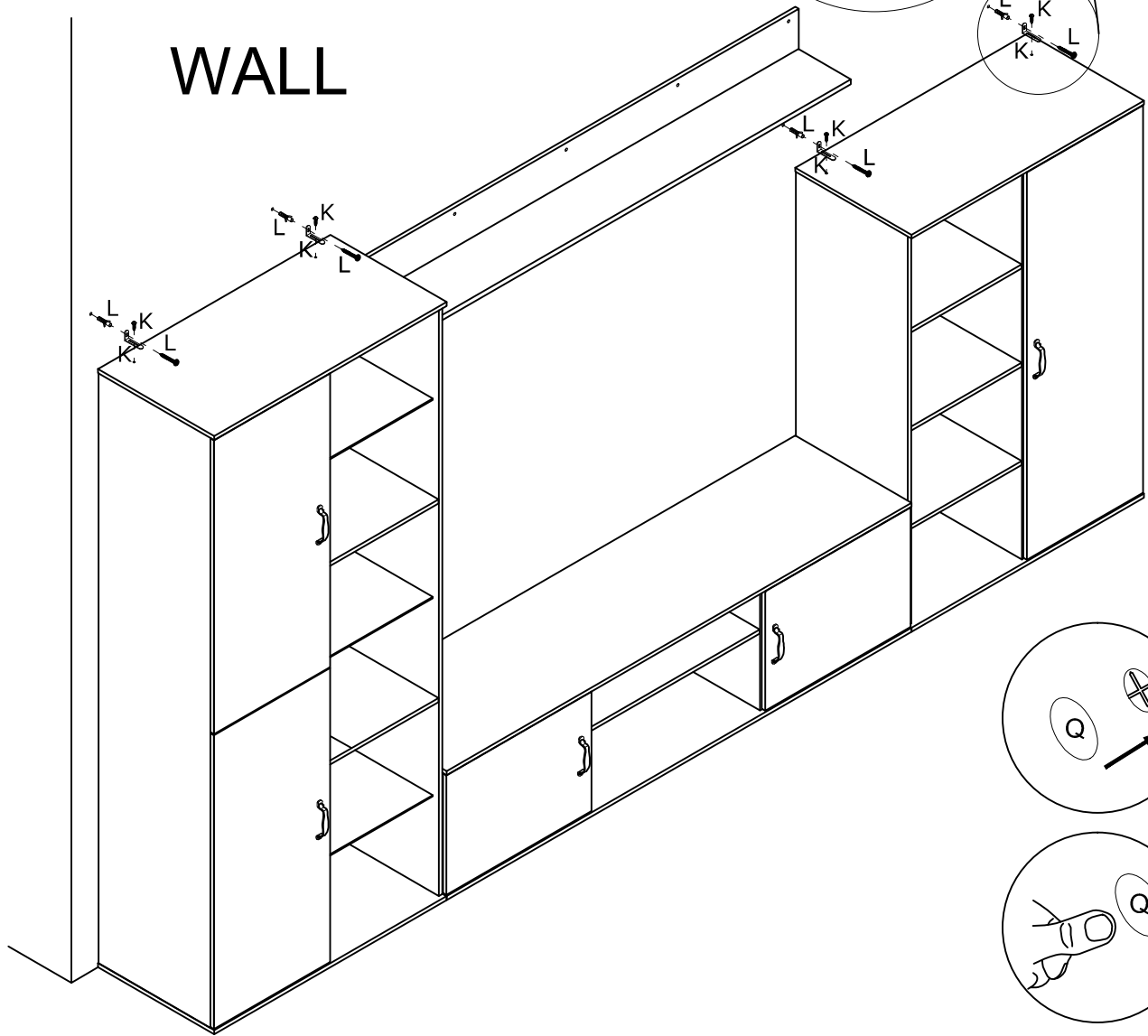
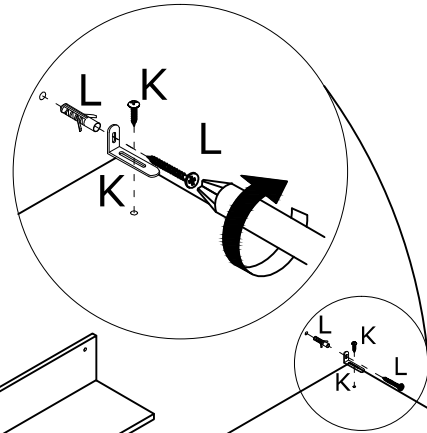
1.
WALL
2.
3.
4.

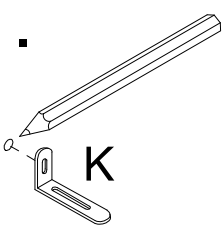
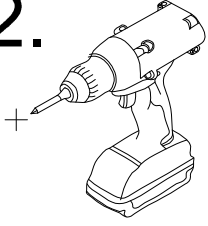
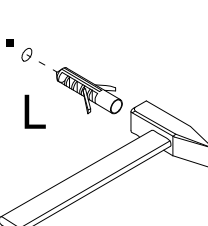
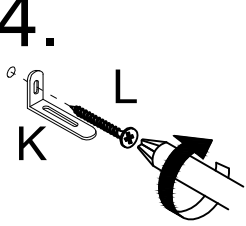
35

K × 4  Ø4×12mm	L × 4  Ø4×60mm	Q × 70  Ø20mm
---	---	--

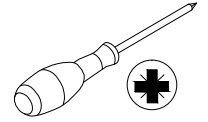


Using screw (K) to lock the metal (K) to the board 1 and 30 as shown.
Drill holes on wall, knock part (L) into the holes.
Install anti-tipping device as shown.



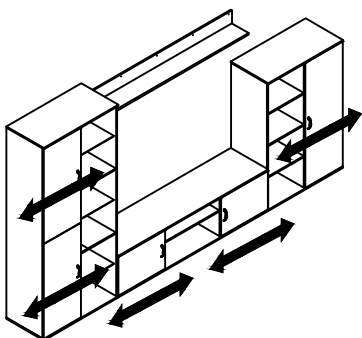
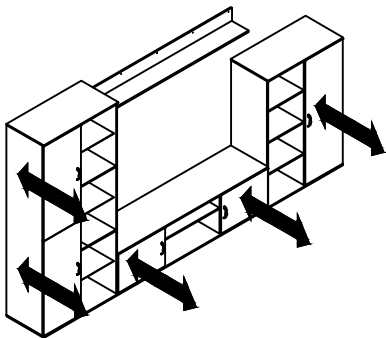
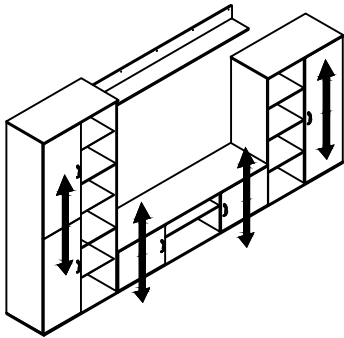
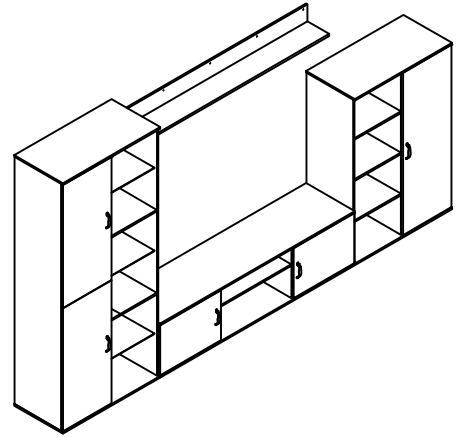
- 
- 
- 
- 

36



If doors are still not aligned if the hinges are properly correctly,
please watch the video.

<https://youtu.be/n0Lb36SoODM>



WARRANTY

WARRANTY CLAIMS

- There is a 30-day warranty for broken furniture or any other problems that do not work properly. The warranty will start from the date of purchase which must be verified by proof of purchase.
- Before making a claim, we may be able to answer your query, simply call us. Please leave your purchase order number, along with some details of the problem, if you want a replacement part. We will arrange within 48 hours. If there is out of stock, we will reply with a shipping date.
- The product must be used in accordance with the instructions provided. For health reasons.
- For other reasons, if the furniture needs to be returned, it must be cleaned and dried and operated within 30 days of receipt.

Type of Warranty Claim

- Failure to follow the furniture instructions will invalidate the warranty. Attention please.
- Does not include damage during installation, but includes damage during transportation.

Scope of responsibility

- Shall not bear any responsibility for misuse or user damage and / or loss of parts during the installation of furniture.
- After using, the damage and scratches of the furniture are not covered by the warranty.

The Warranty Relates to All Bought in The Us and Covers The Following Areas

- Sheet parts: 1 month from the date of purchase.
- Electrical parts: 1 month from the date of purchase.

RETURNS

CHANGED YOUR MIND AND NEED TO RETURN YOU ITEM?

PLEASE FOLLOW THE BELOW INSTRUCTIONS:

- If you have purchased and have simply changed your mind, follow the retailer's instructions for returns.

DEFECTIVE ITEMS

- If your item is defective in any way, i.e. it doesn't work but you can't identify why, in the first instance, please call us.

DAMAGED ITEMS

- If you receive an order with obvious shipping damage from the retailer, then we suggest the delivery is refused. If the delivery has been accepted and then shipping damage is found, please follow the specific instructions advised by the retailer.
In all circumstances please save all packaging material and paperwork for the order. Please be aware that if you dispose of packaging material or attempt to return the merchandise without contacting the fulfiller, you jeopardise your chances of making a claim, and you may not receive a credit for the return.

AFTER-SALES CONTACT

