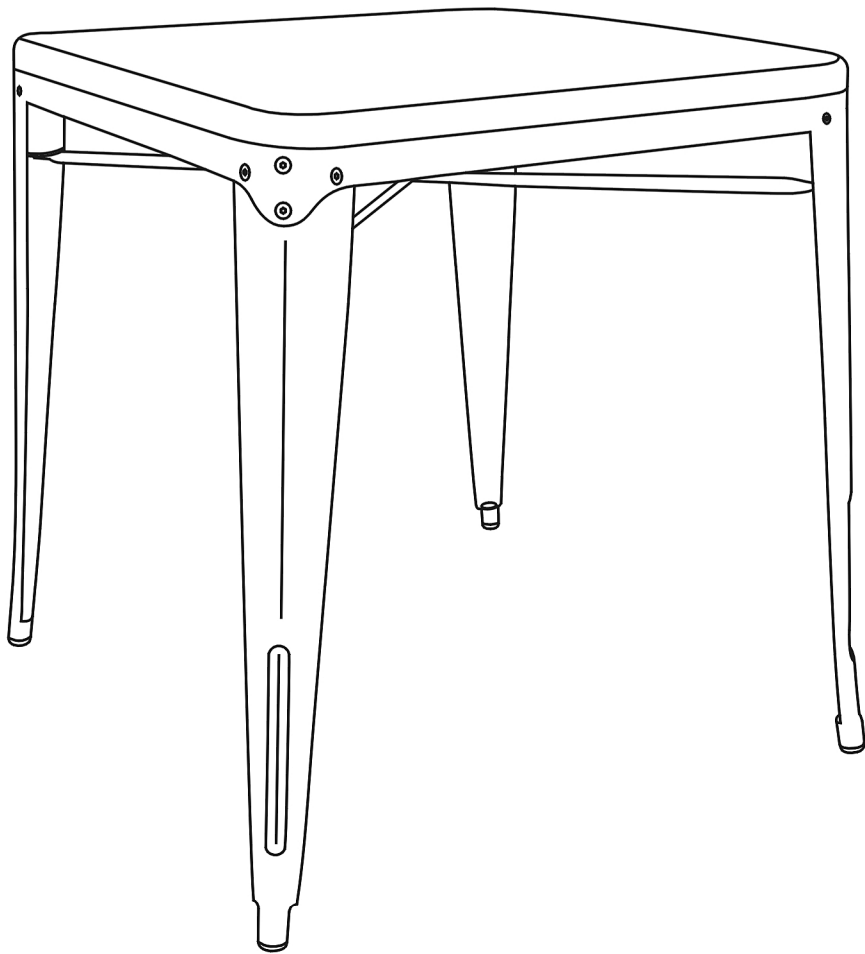
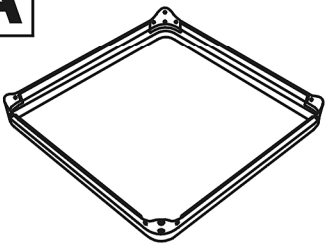

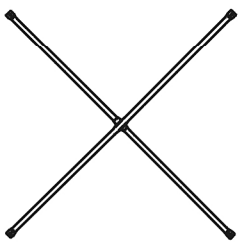


30" SQUARE METAL TABLE





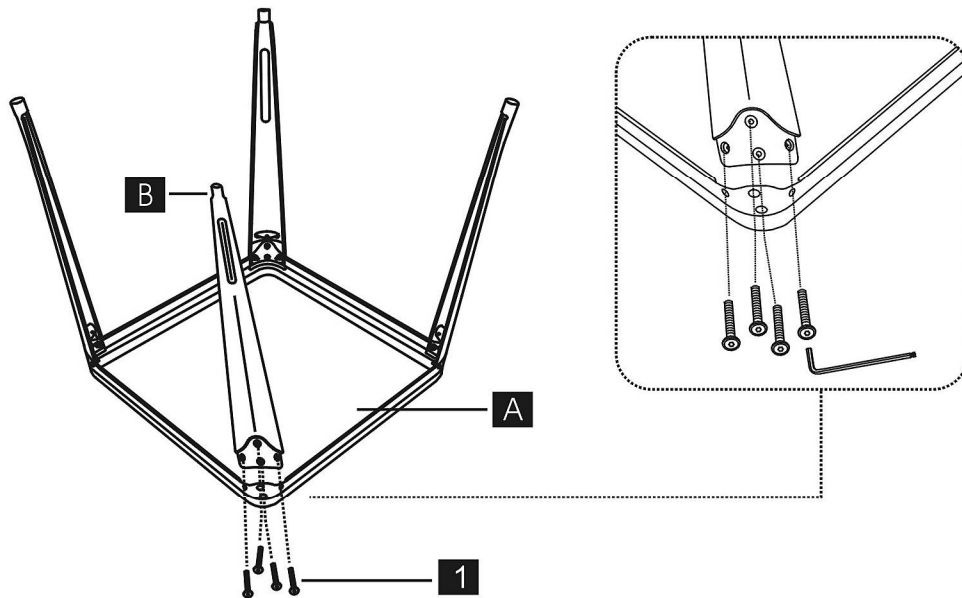
Care: Use a soft, clean cloth that will not scratch the surface when cleaning. The use of solvents is not necessary. Should you choose to use solvents, test in an inconspicuous area first to avoid damaging the finish. To clean, simply use a soft, clean cloth lightly dampened with water.

PART LIST

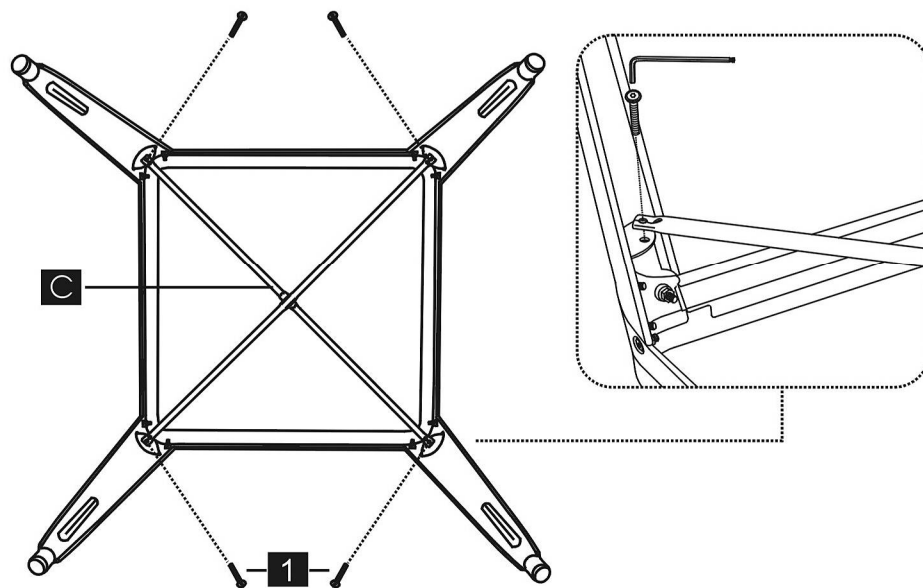
A 	B 	C 
Table Top 1pc	Table Legs 4pcs	Support Tube 1pc

HARDWARE LIST

1  M6*16mm	2  M5
Bolt 20pcs	Allen Key 1pc



Step 1, Place the table top (Part A) in an upside down position. Assemble the table legs (Part B) to the table top (Part A) using the allen key (Part 2) and bolts (Part 1). Do not over tighten the bolts (Part 2)



Step 2, Place the support tube (Part C) as shown above. Use the allen key (Part 2) to fasten the bolts (Part 1).

Caution:

Please make sure that all bolts are fastened tightly before use. Do not over tighten.

Do not stand on the table under any circumstance.

Limited Manufacturers Warranty