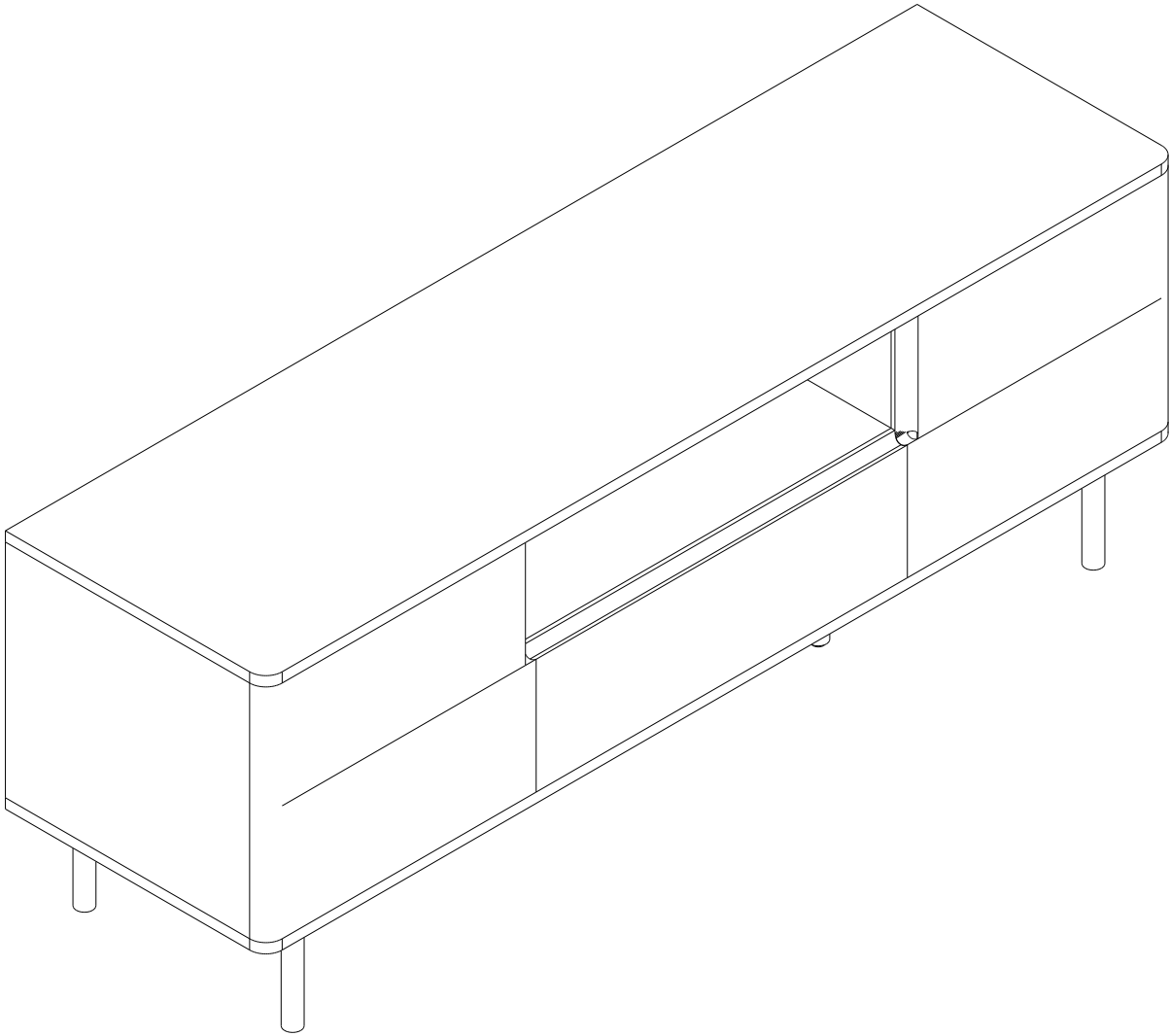
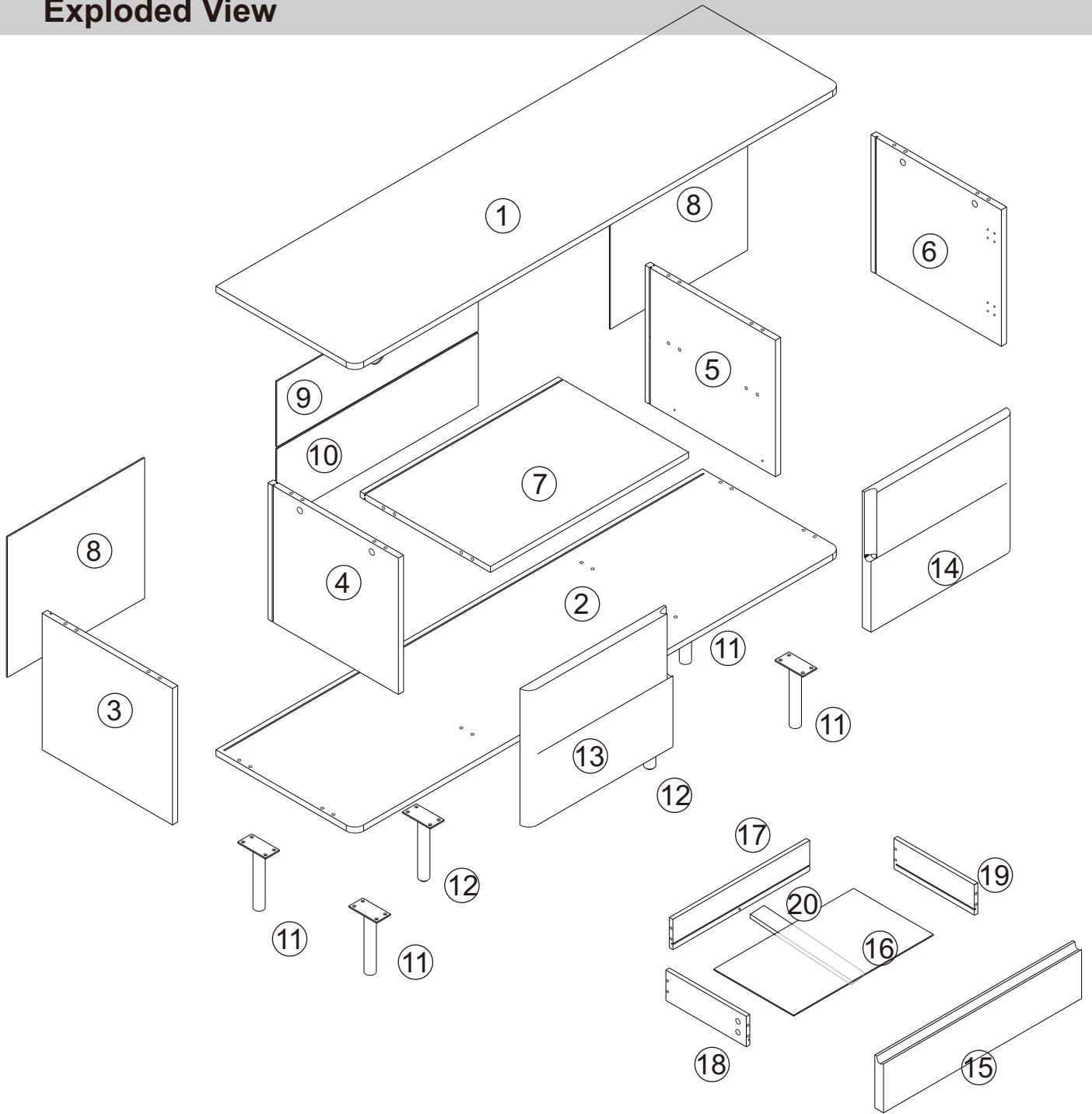


ASSEMBLY INSTRUCTIONS

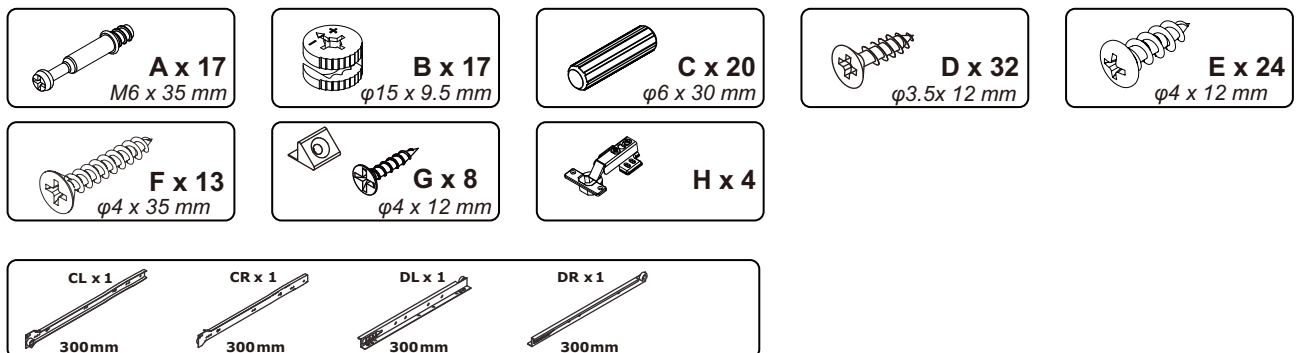
<<Before assembling, read all instructions>>



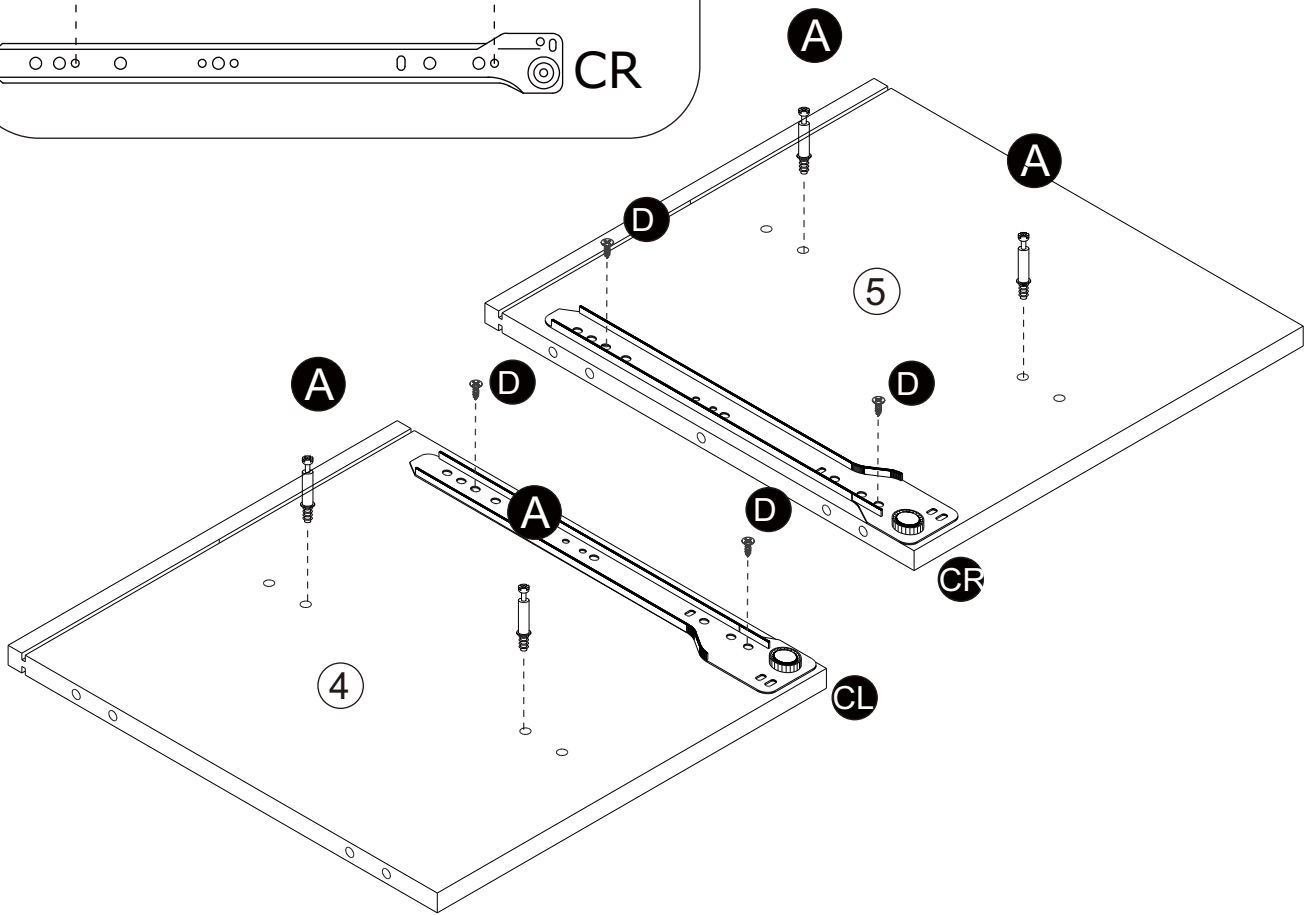
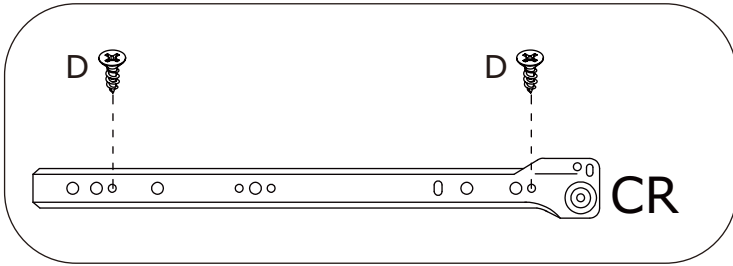
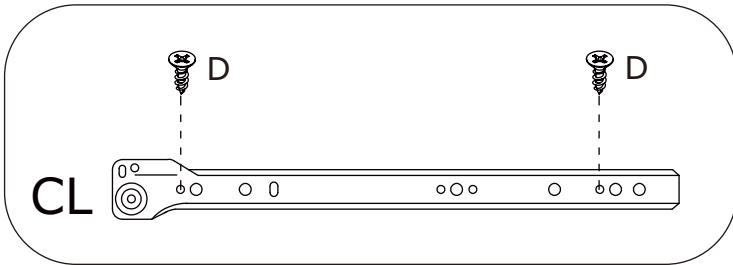
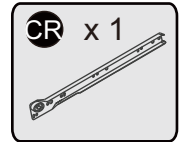
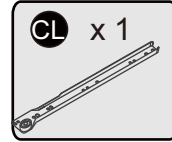
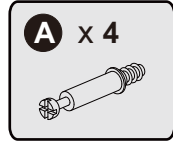
Exploded View



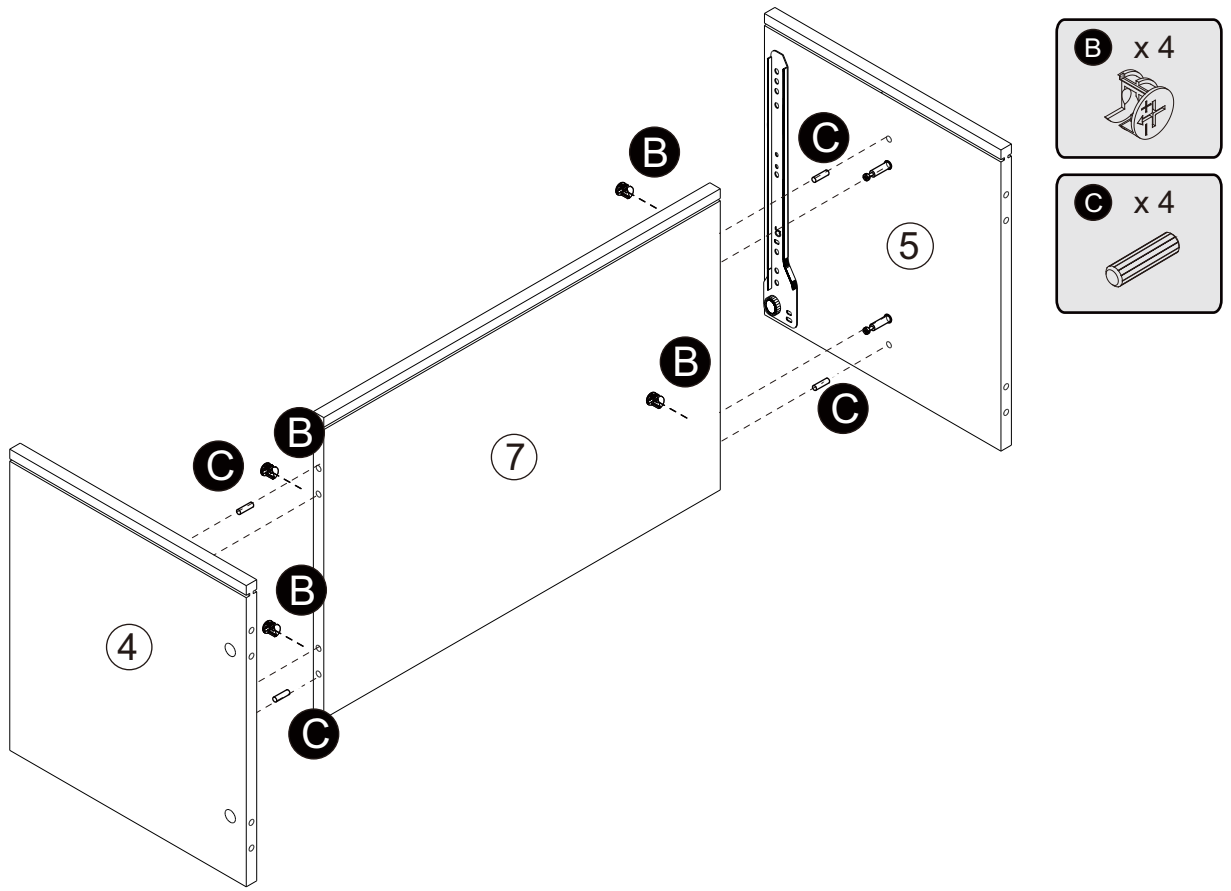
Fittings



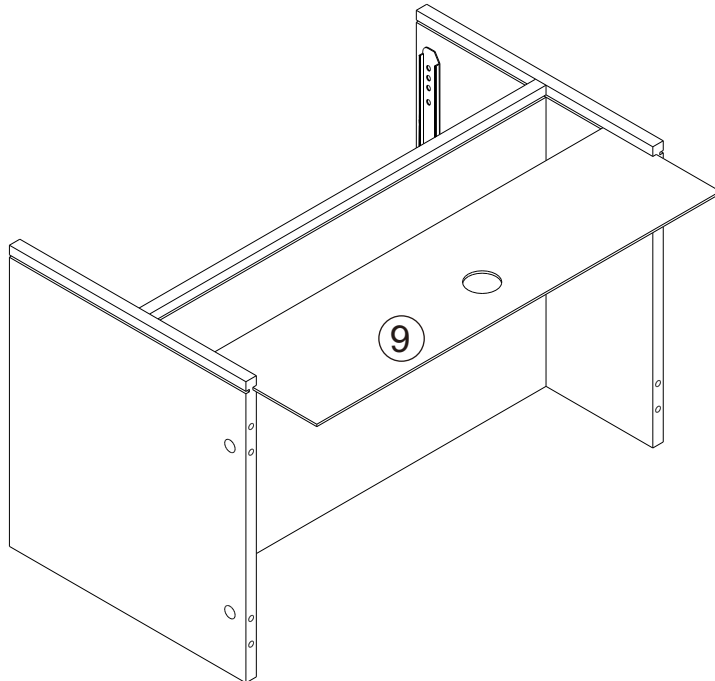
Step 1



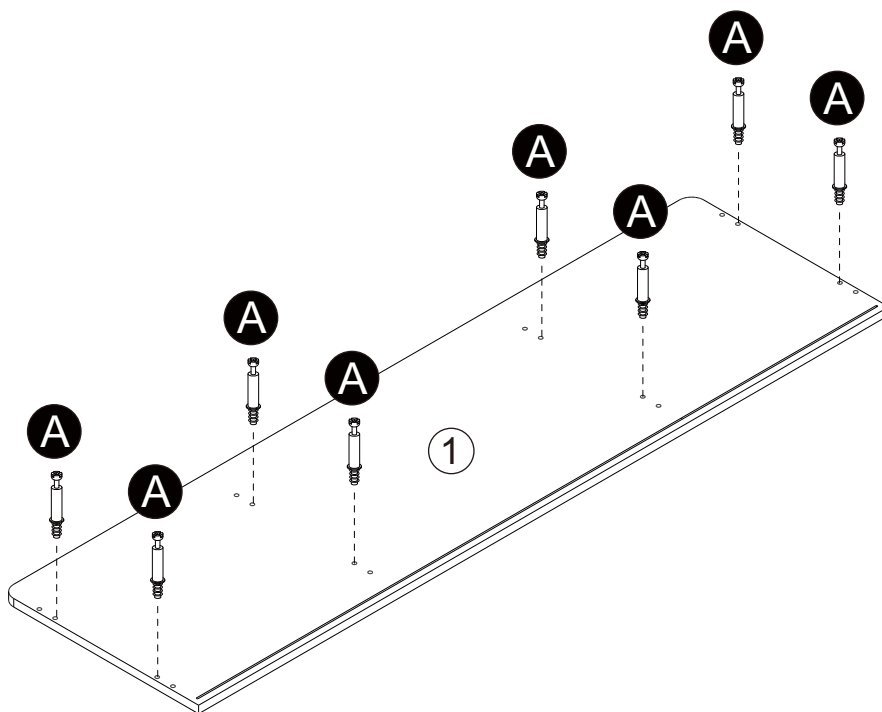
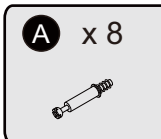
Step 2



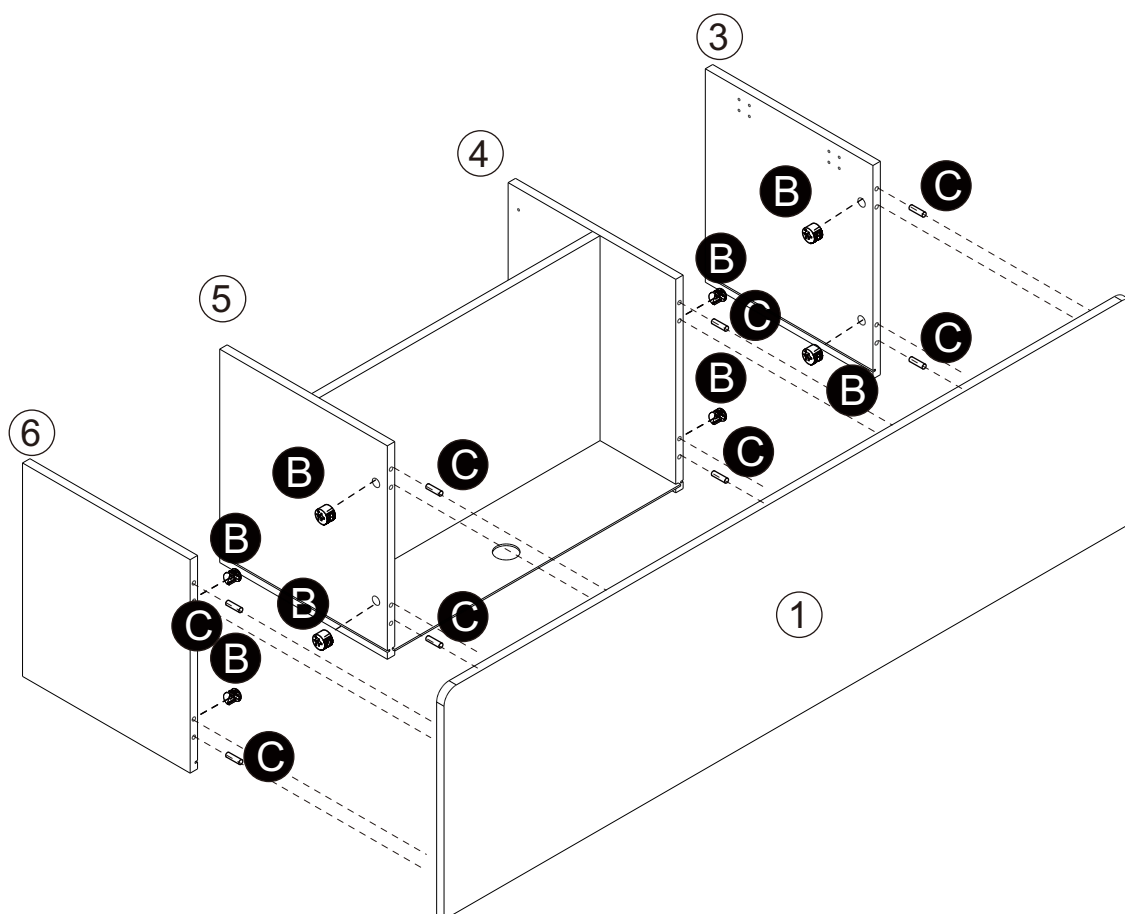
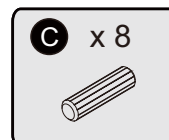
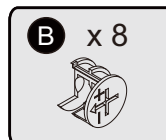
Step 3



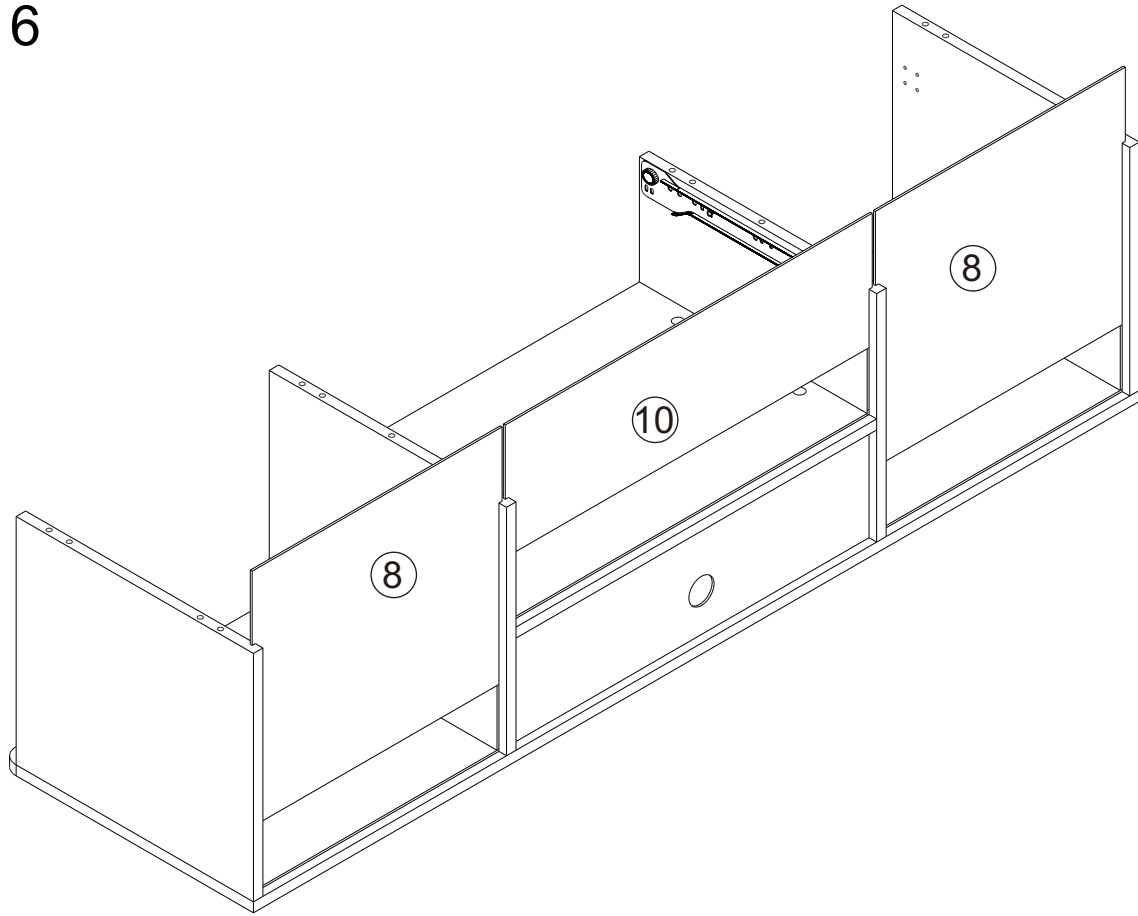
Step 4



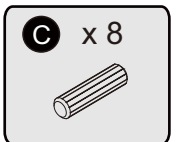
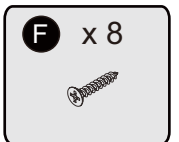
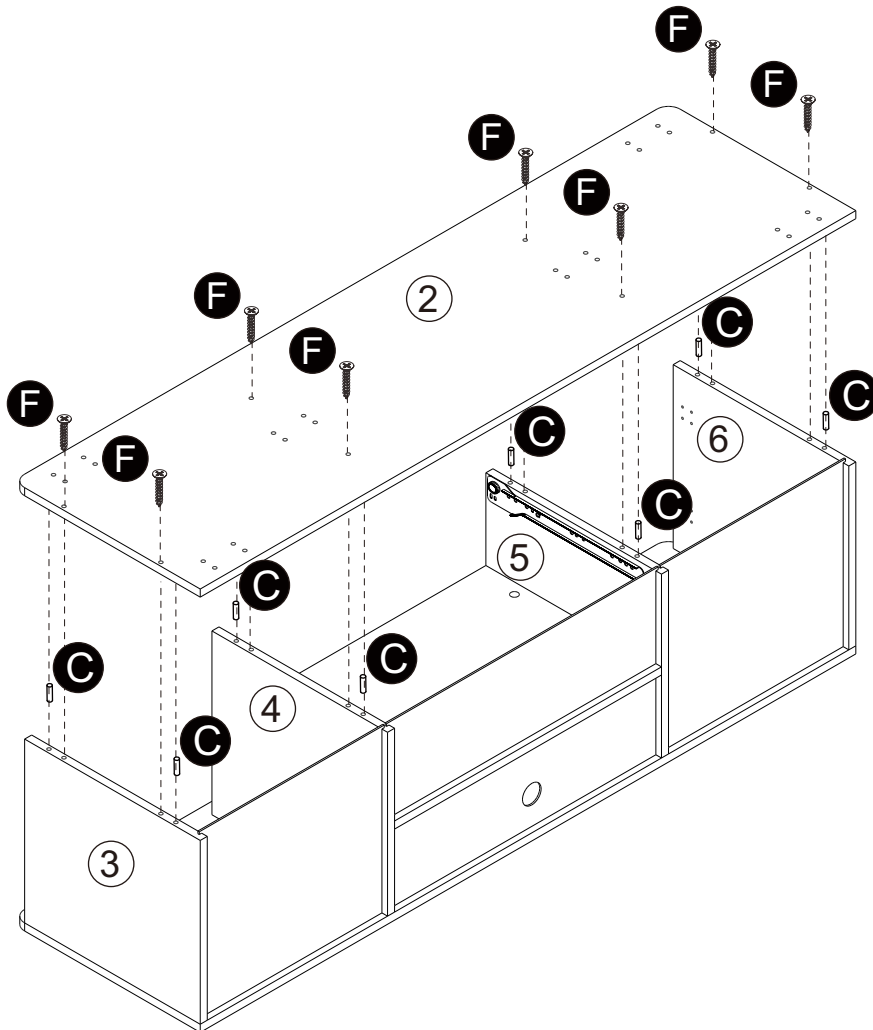
Step 5



Step 6



Step 7

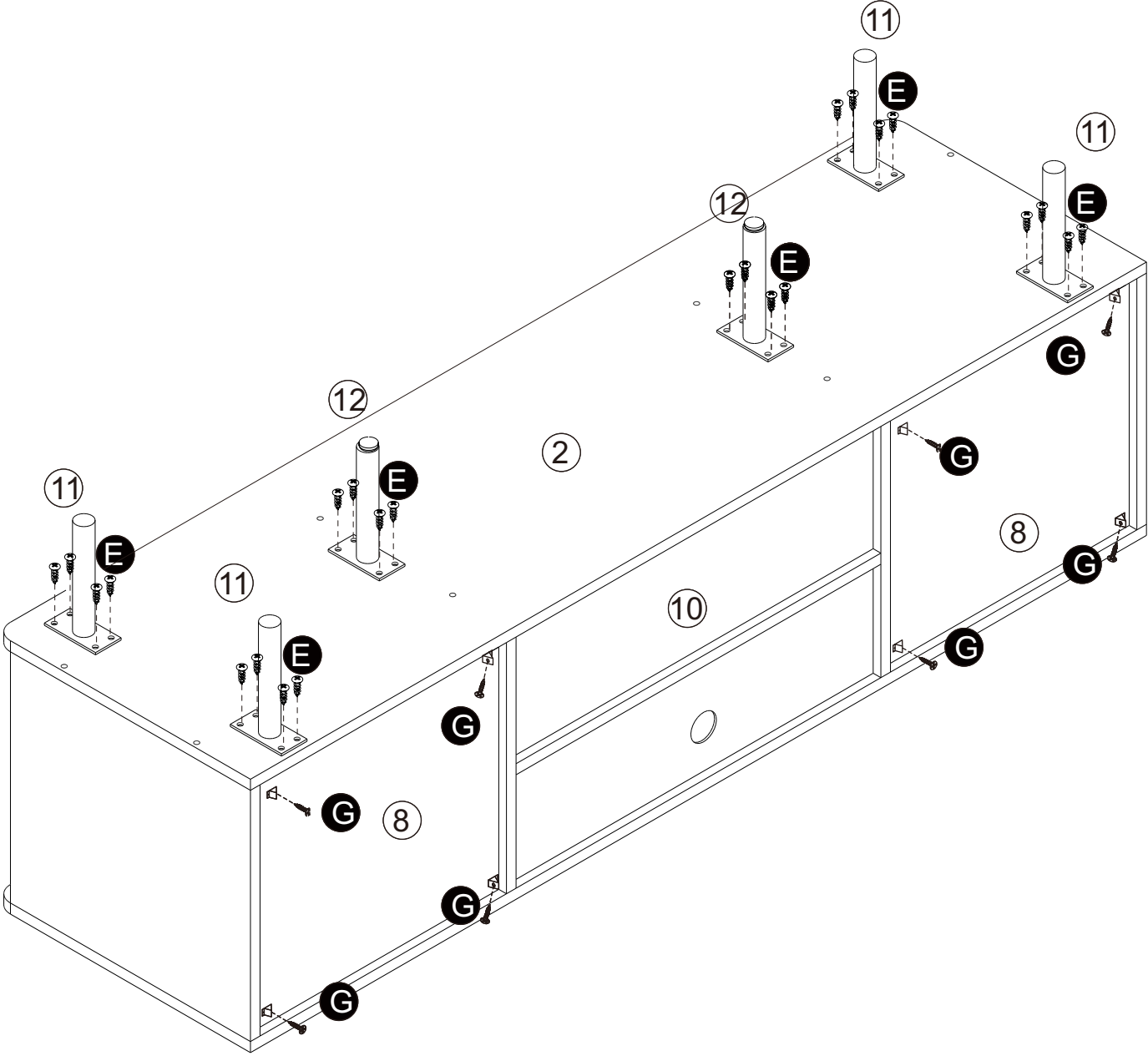


Step 8

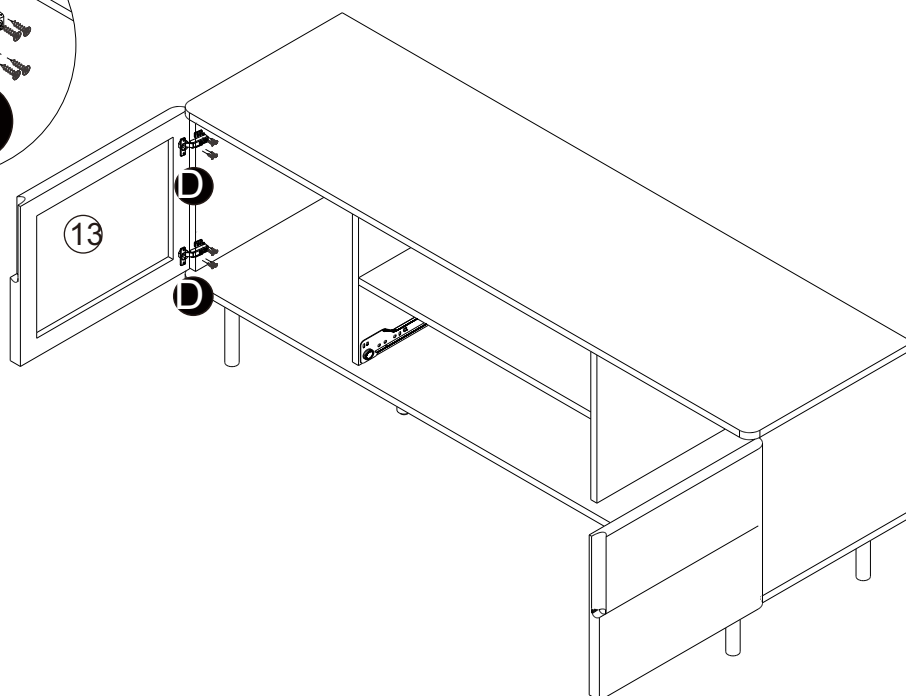
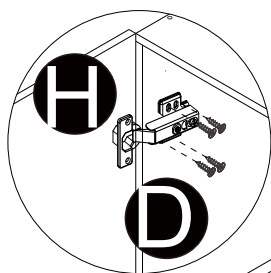
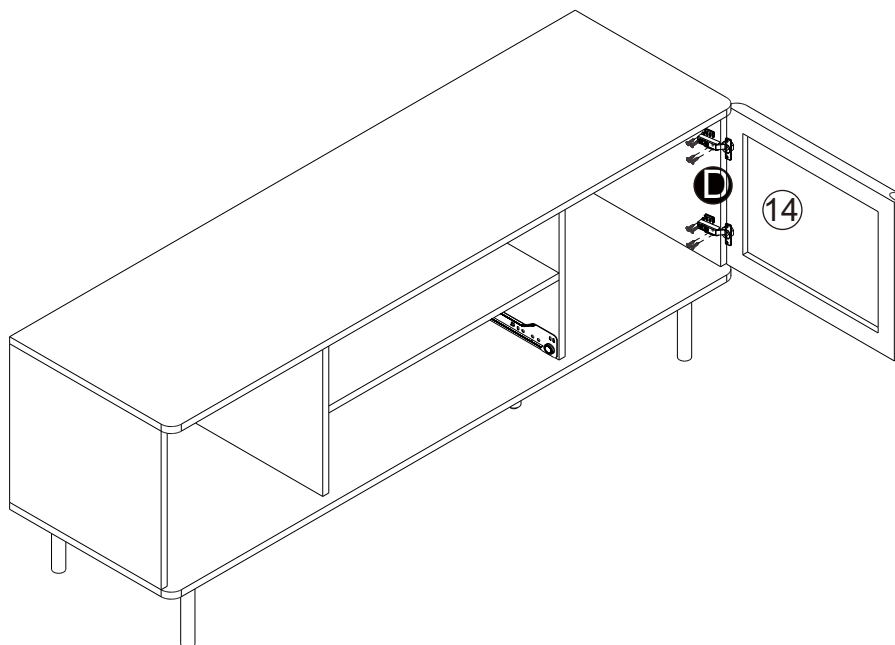
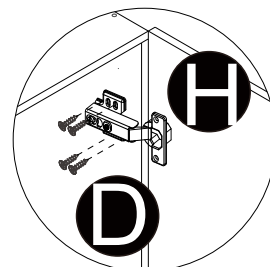
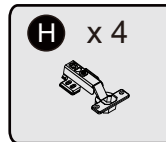
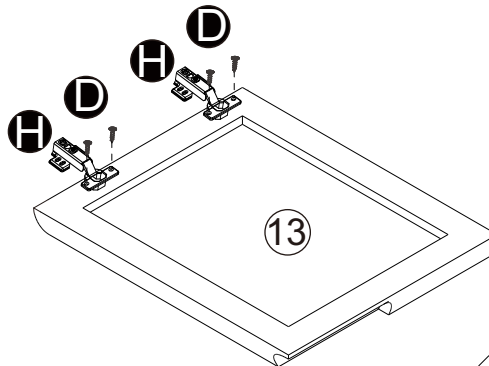
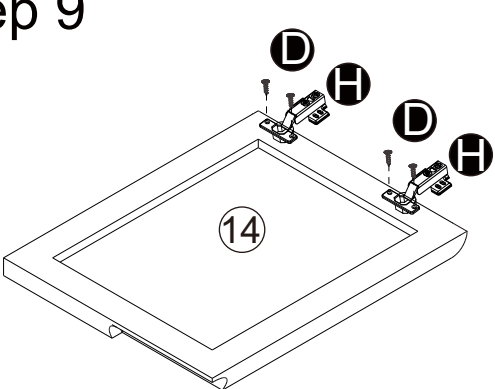
E x 24



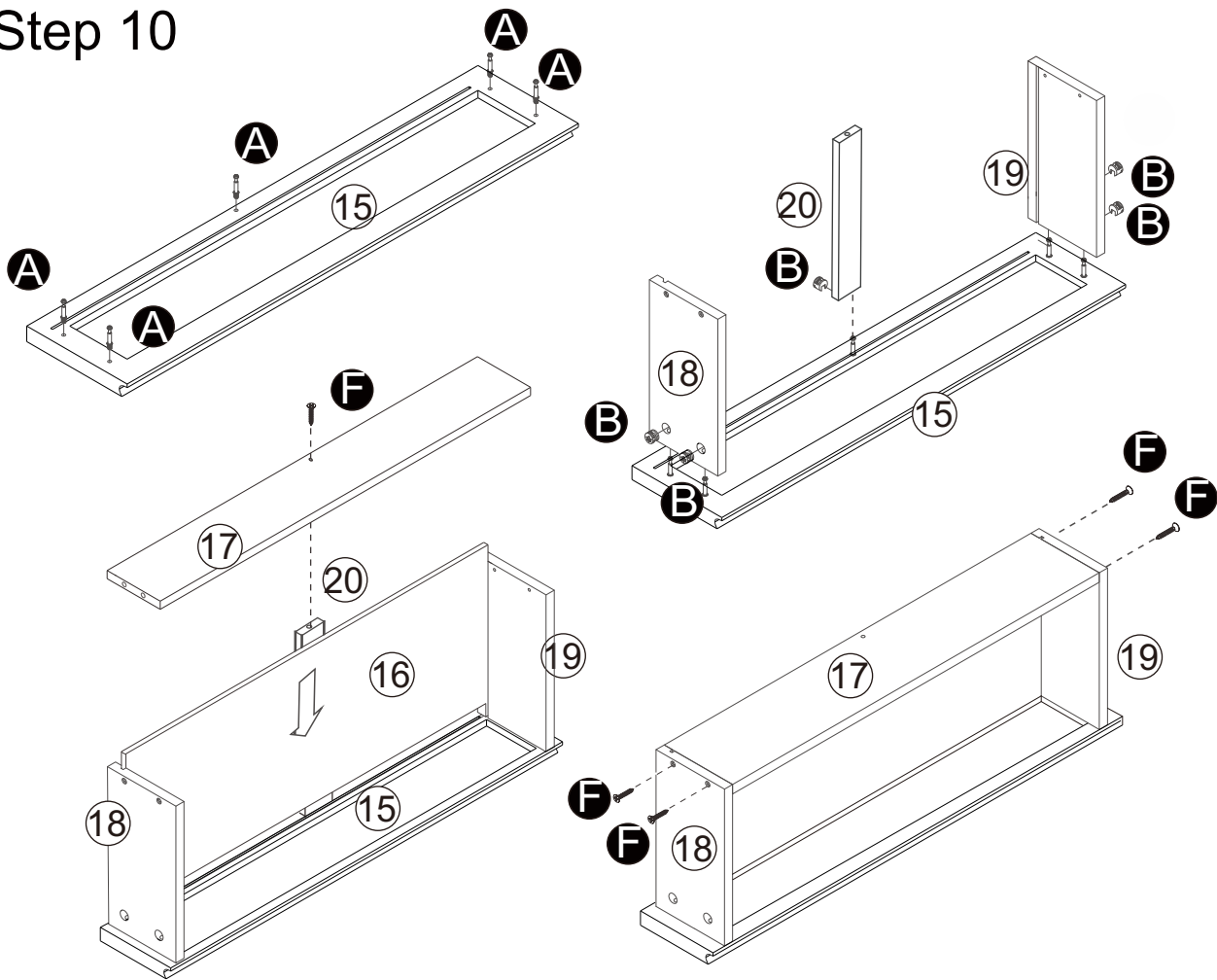
G x 8



Step 9

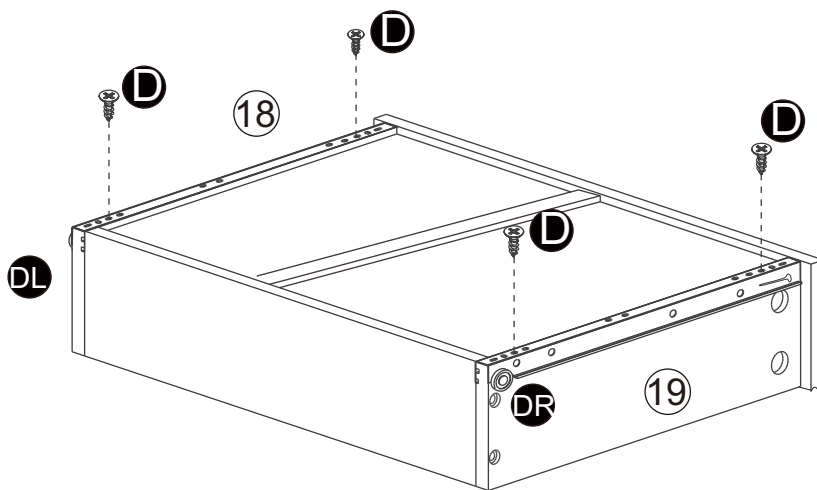


Step 10



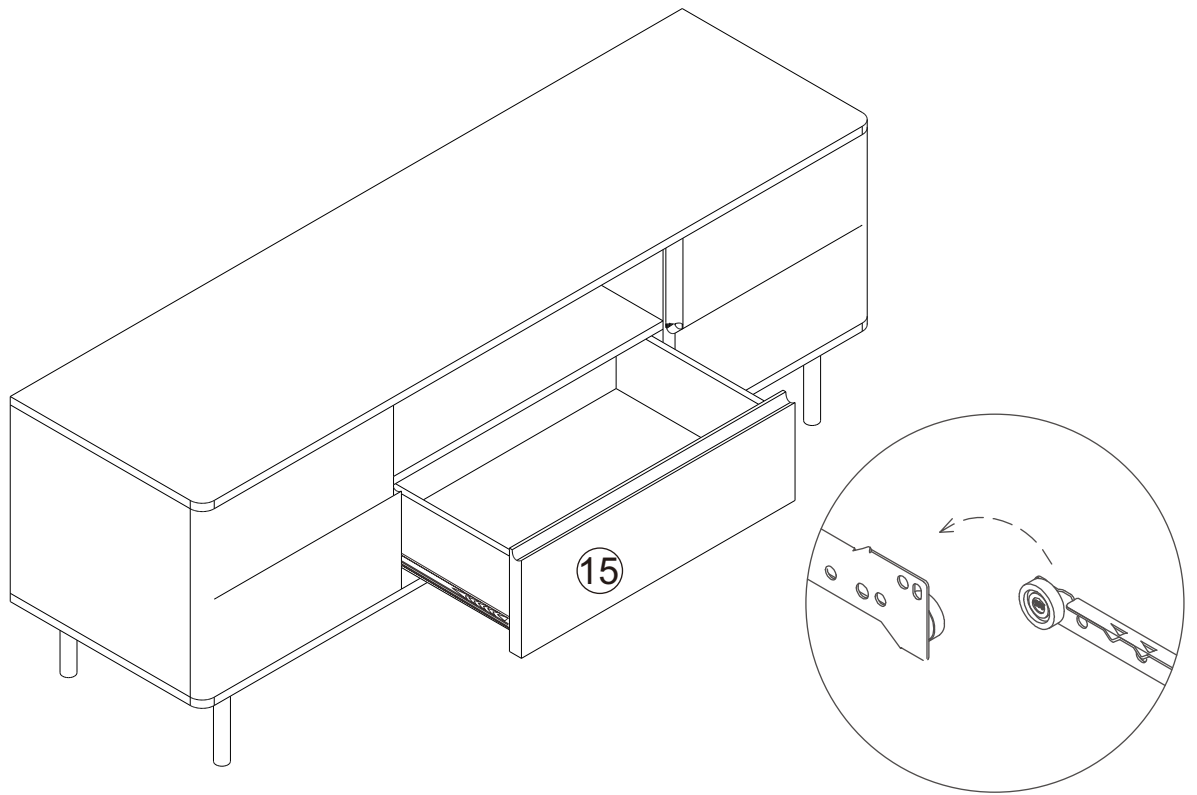
- A** x 5
- B** x 5
- F** x 5

Step 11



- D** x 4
- DL** x 1
- DR** x 1

Step 12



Step 13

