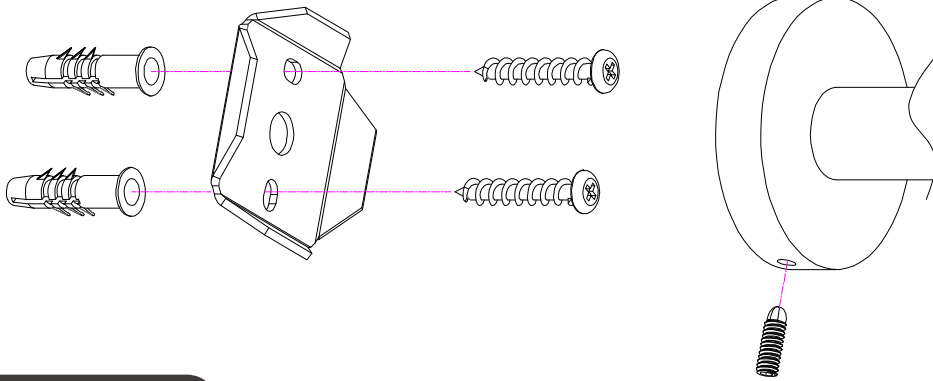


# USER MANUAL

## INSTALLATION DIAGRAM



## DIMENSION

