



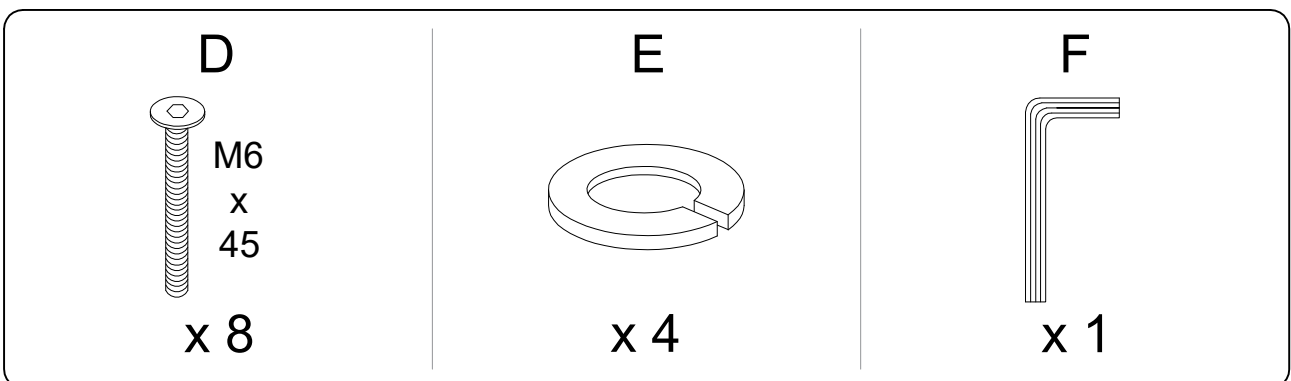
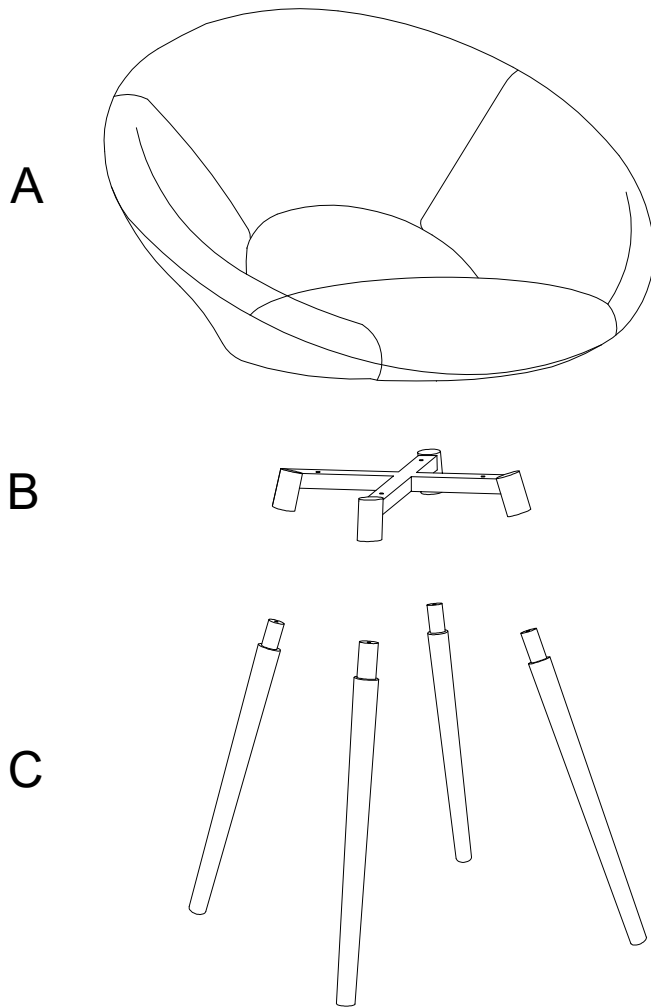
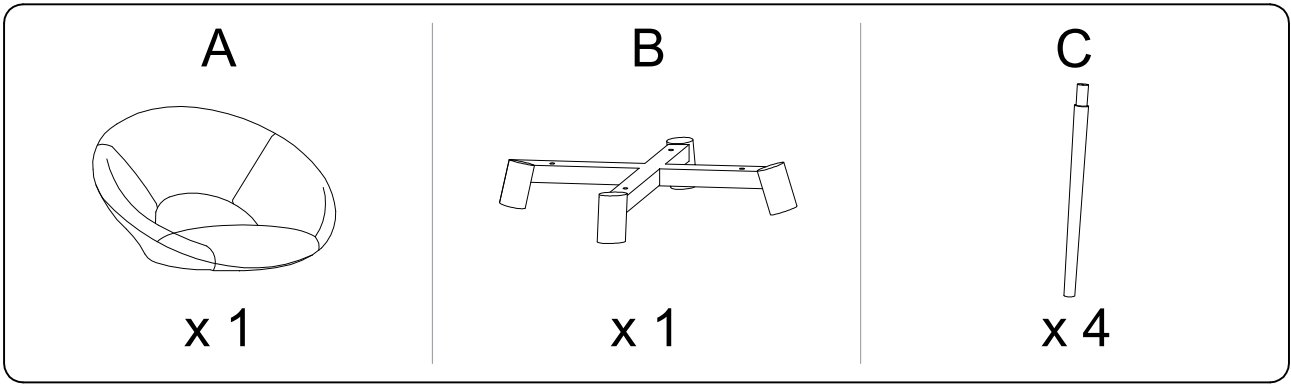
Assembly instructions for the chair, including warnings, time, and person count.

Warning 1: Do not use a power drill. Use an L-shaped Allen key to tighten the backrest.

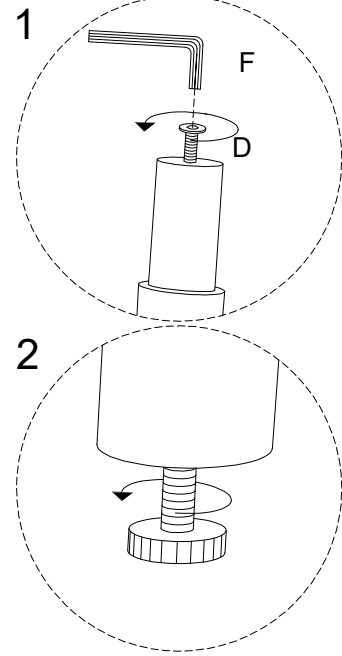
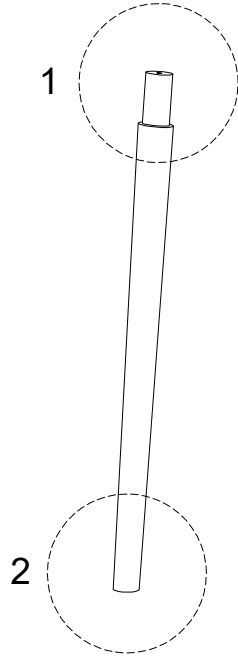
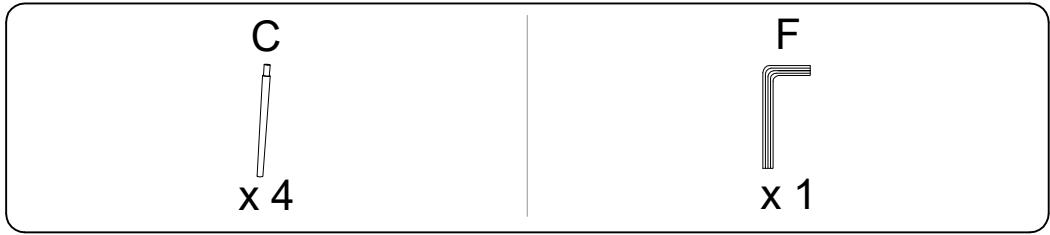
Warning 2: Do not use a power drill to tighten the seat. Tighten the seat by hand.

Time: 20'

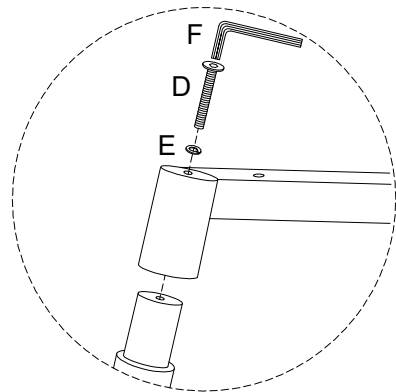
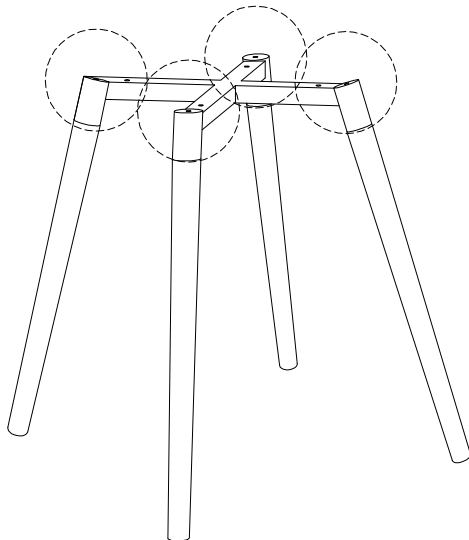
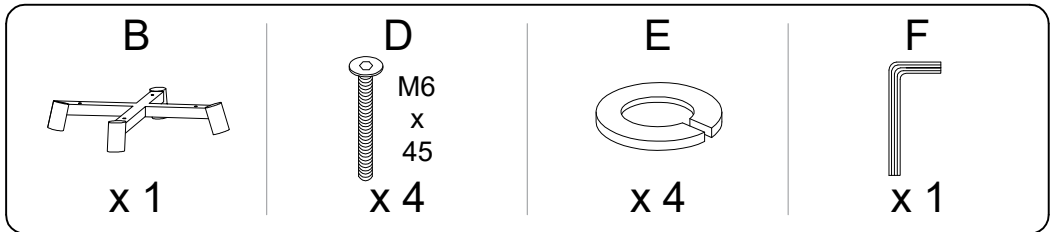
Person Count: 1



1



2



3

