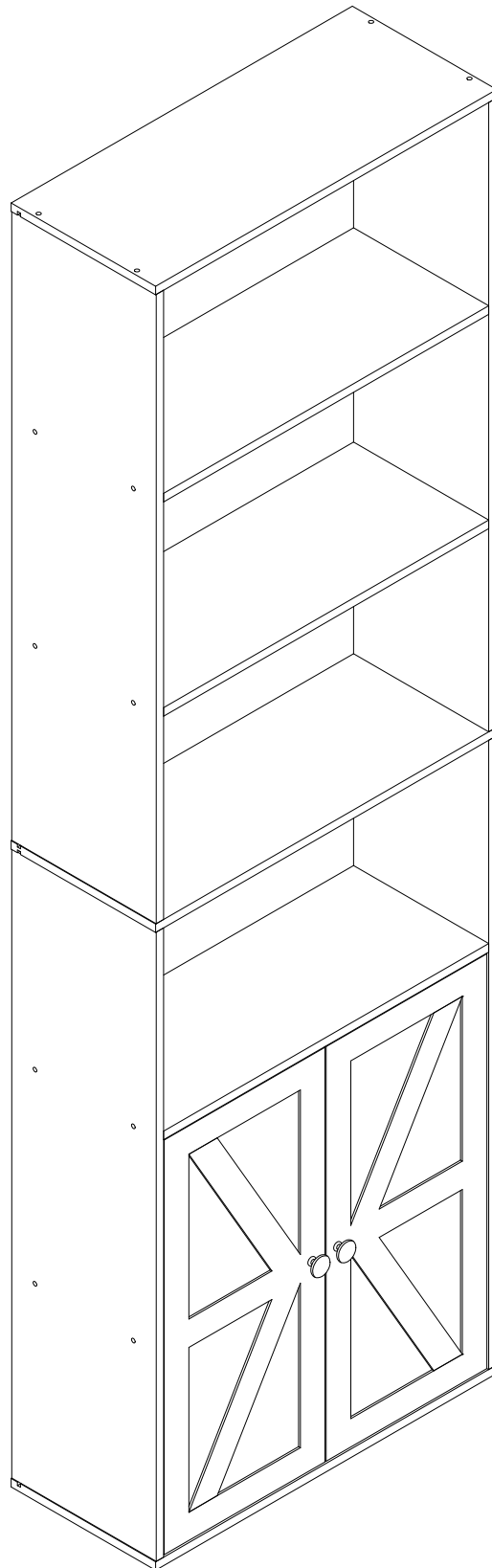
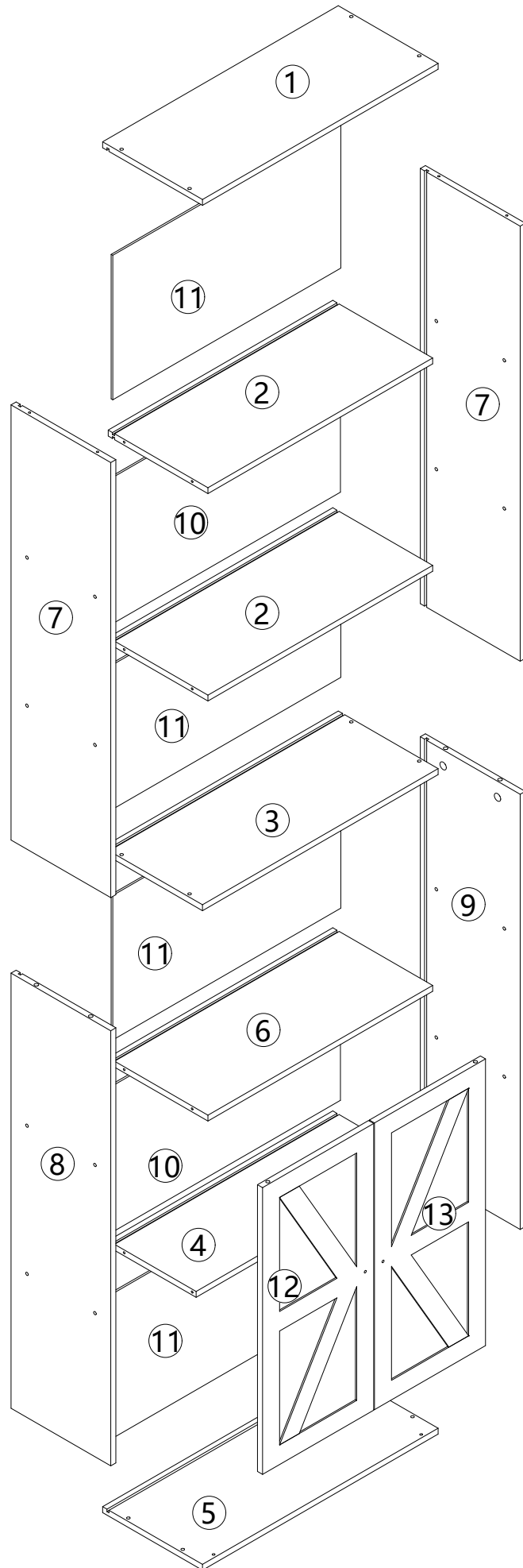


# Installation & Assembly

# bookcase

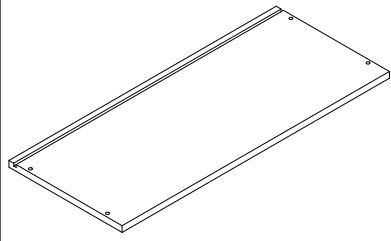


# ASSEMBLY INSTRUCTION

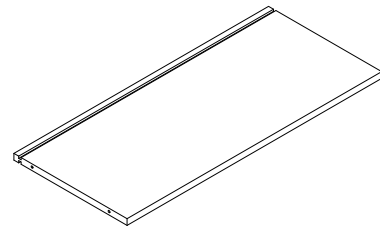


# ASSEMBLY INSTRUCTION

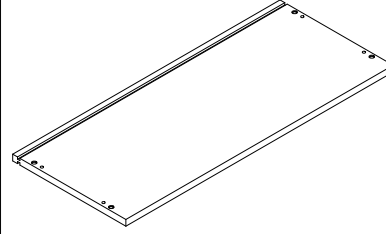
① 1PC



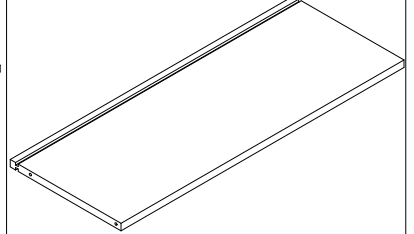
② 2PCS



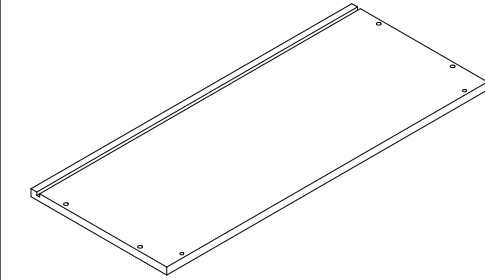
③ 1PC



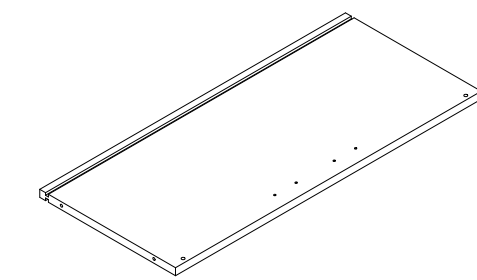
④ 1PC



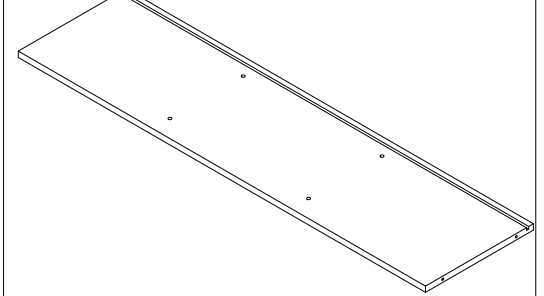
⑤ 1PC



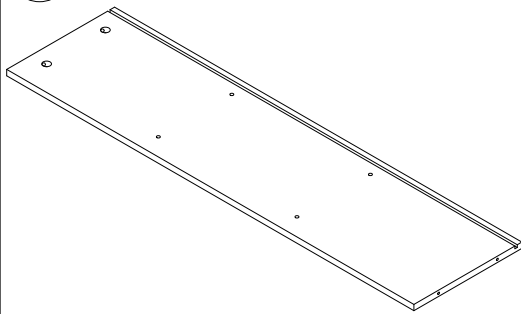
⑥ 1PC



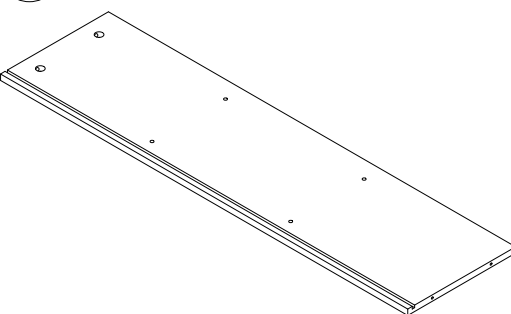
⑦ 2PCS



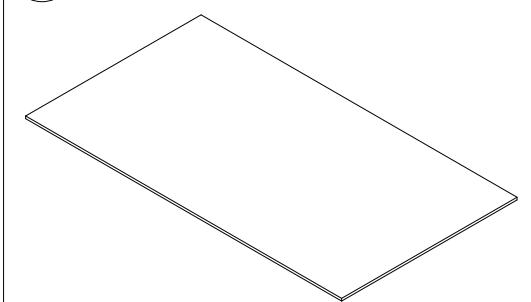
⑧ 1PC



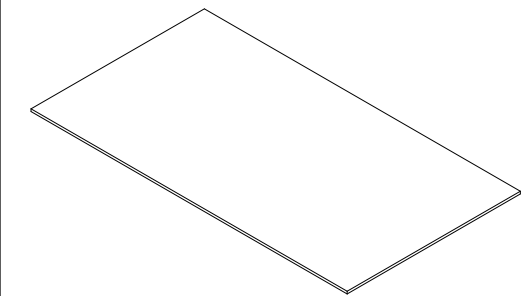
⑨ 1PC



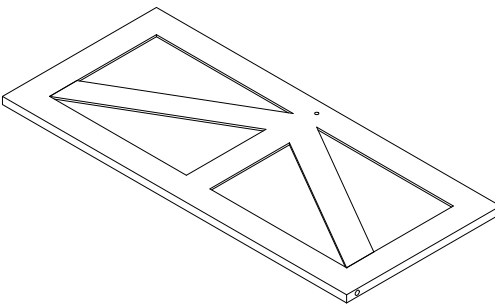
⑩ 2PCS



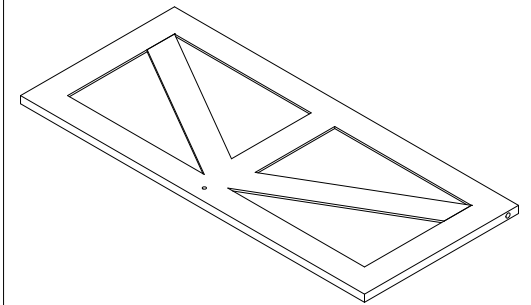
⑪ 4PCS



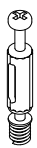
⑫ 1PC



⑬ 1PC



A 4PCS



B 4PCS

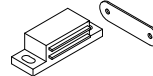


C 28PCS

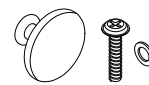


M5\*38

D 2PCS

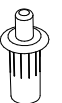


E 2PCS



M4\*16

F 4PCS



G 4PCS



M3.5\*12

H 4PCS

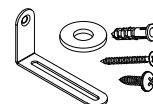


M3.5\*14

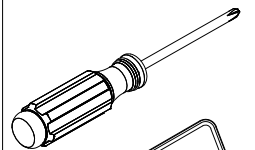
I 24PCS



J 2PCS



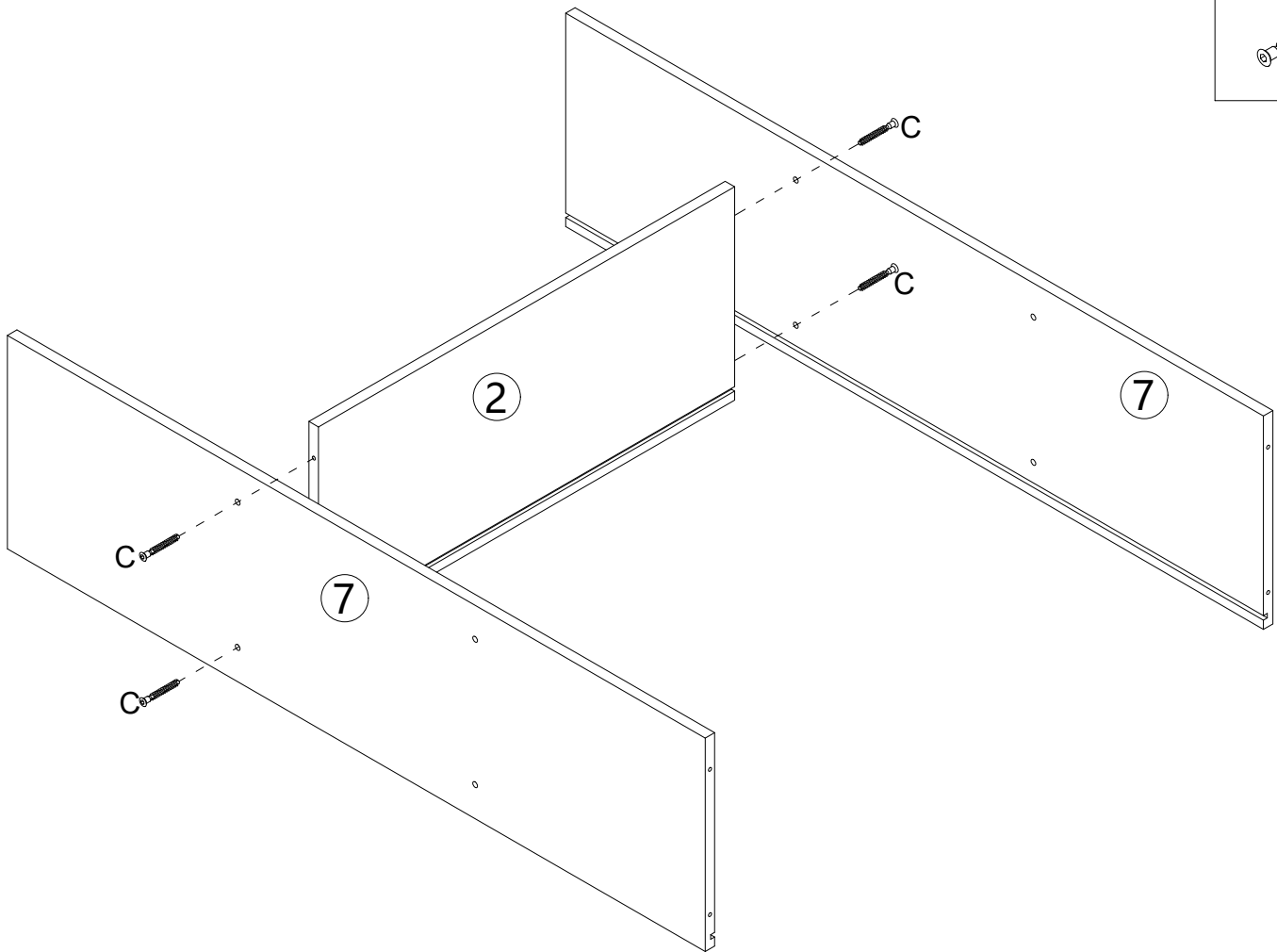
K 6PCS



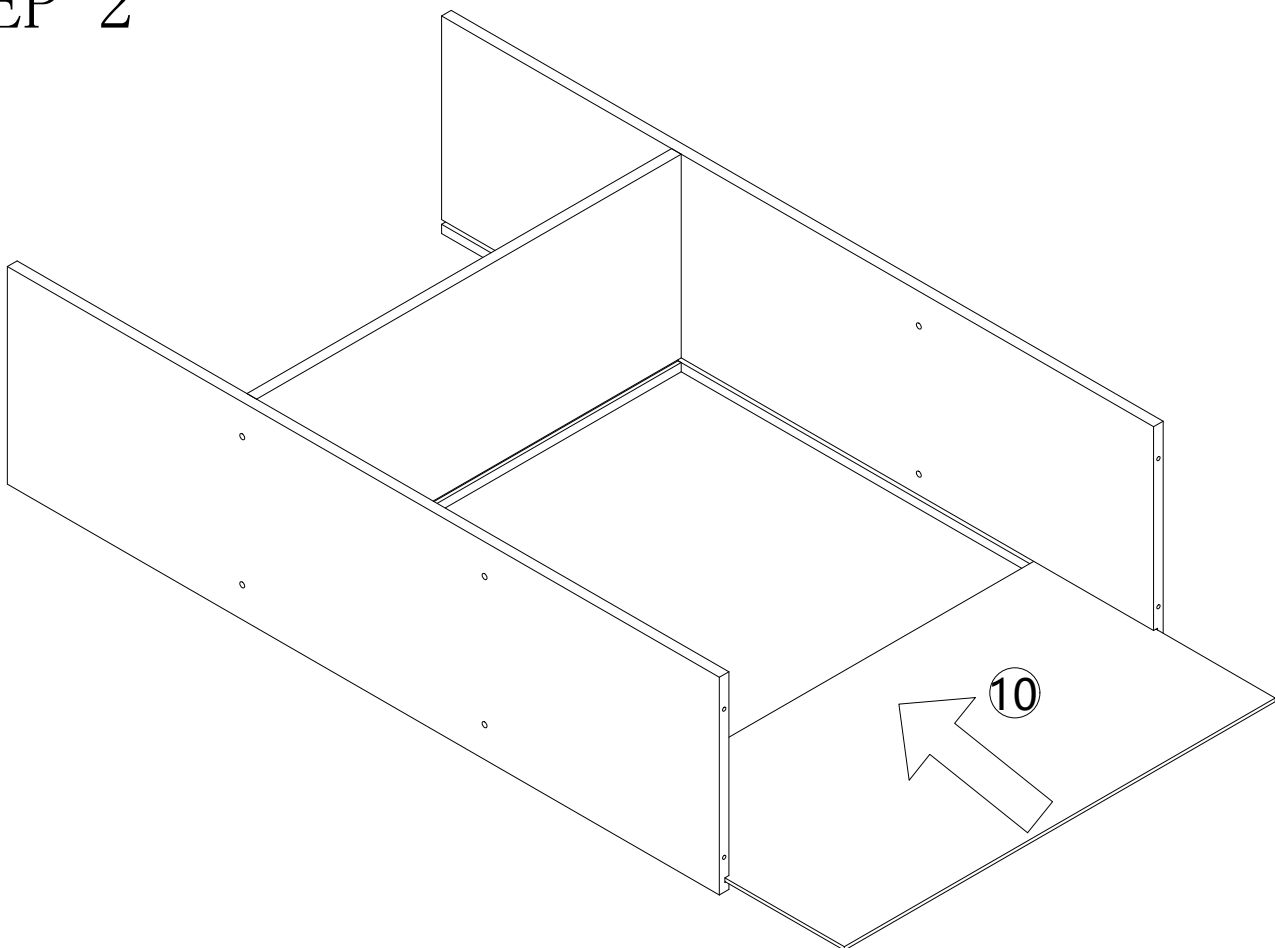
M3

## STEP 1

C 4PCS

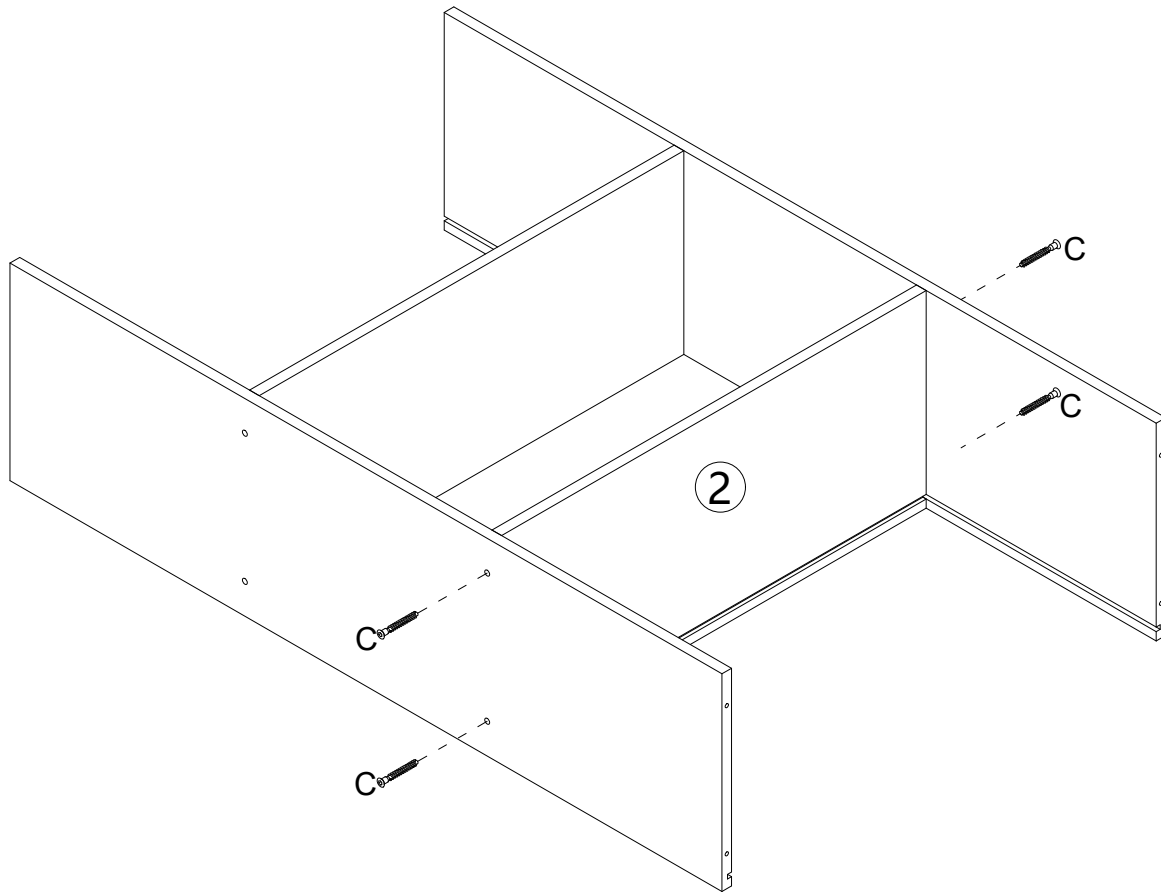


## STEP 2

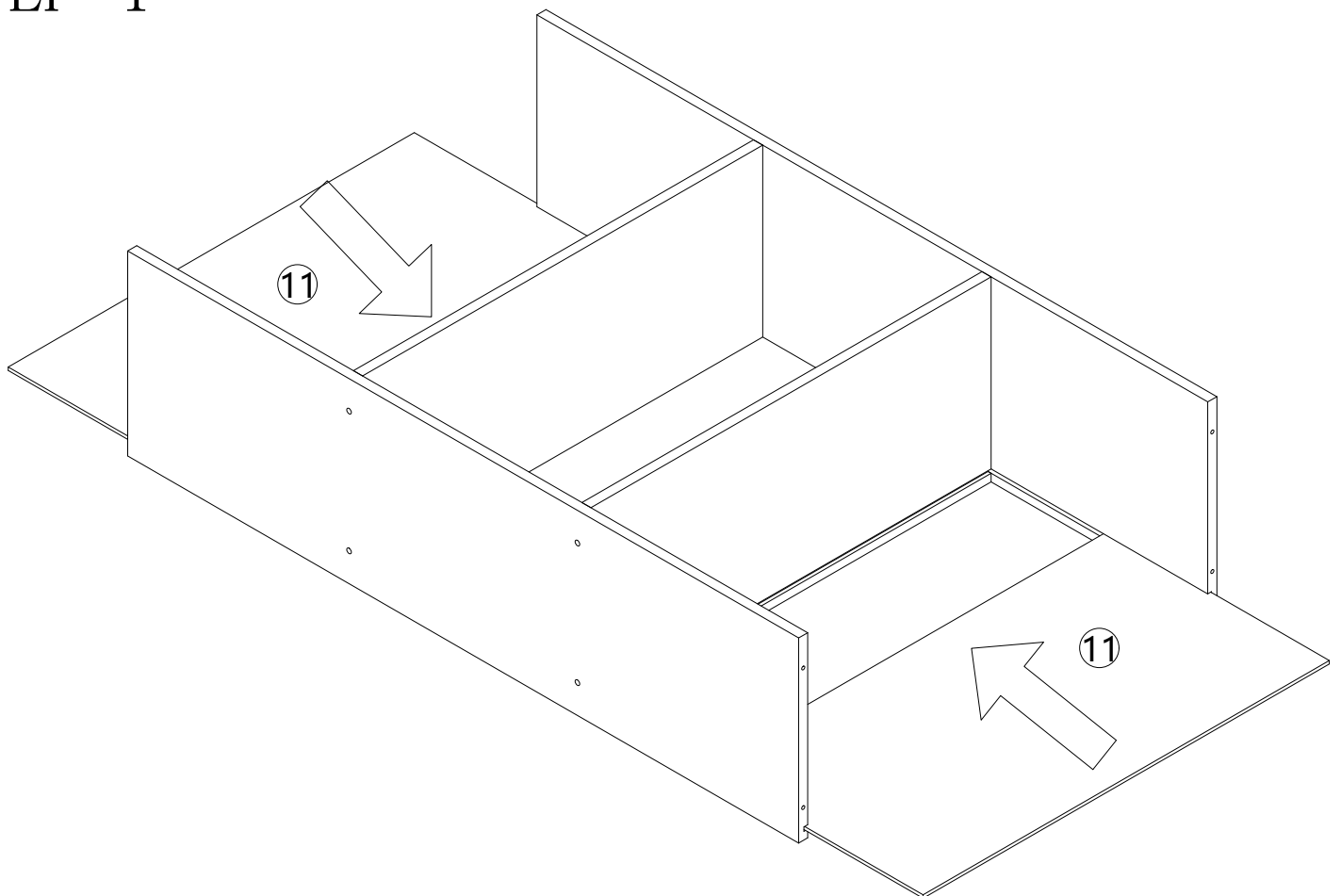


## STEP 3

C 4PCS



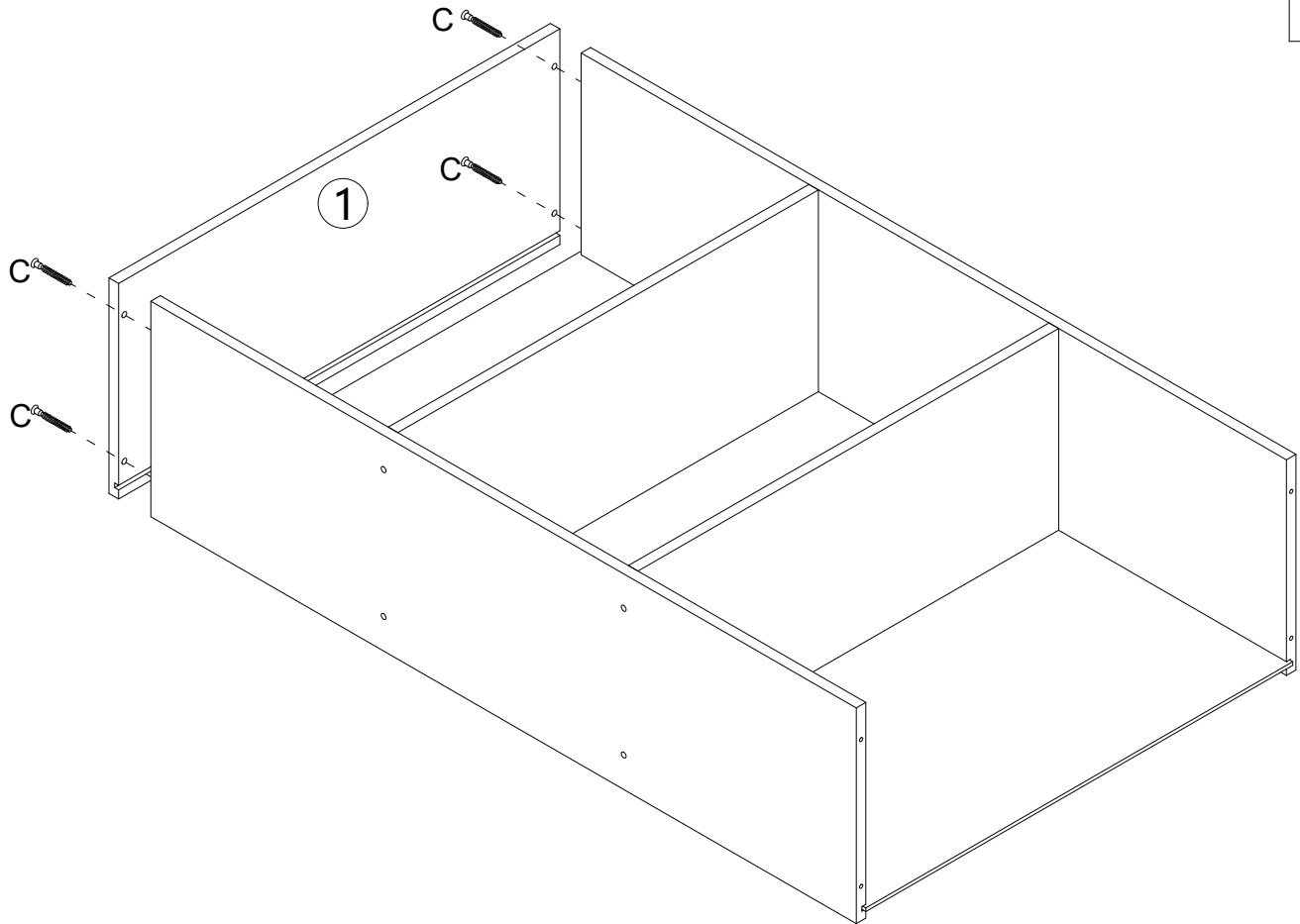
## STEP 4



# ASSEMBLY INSTRUCTION

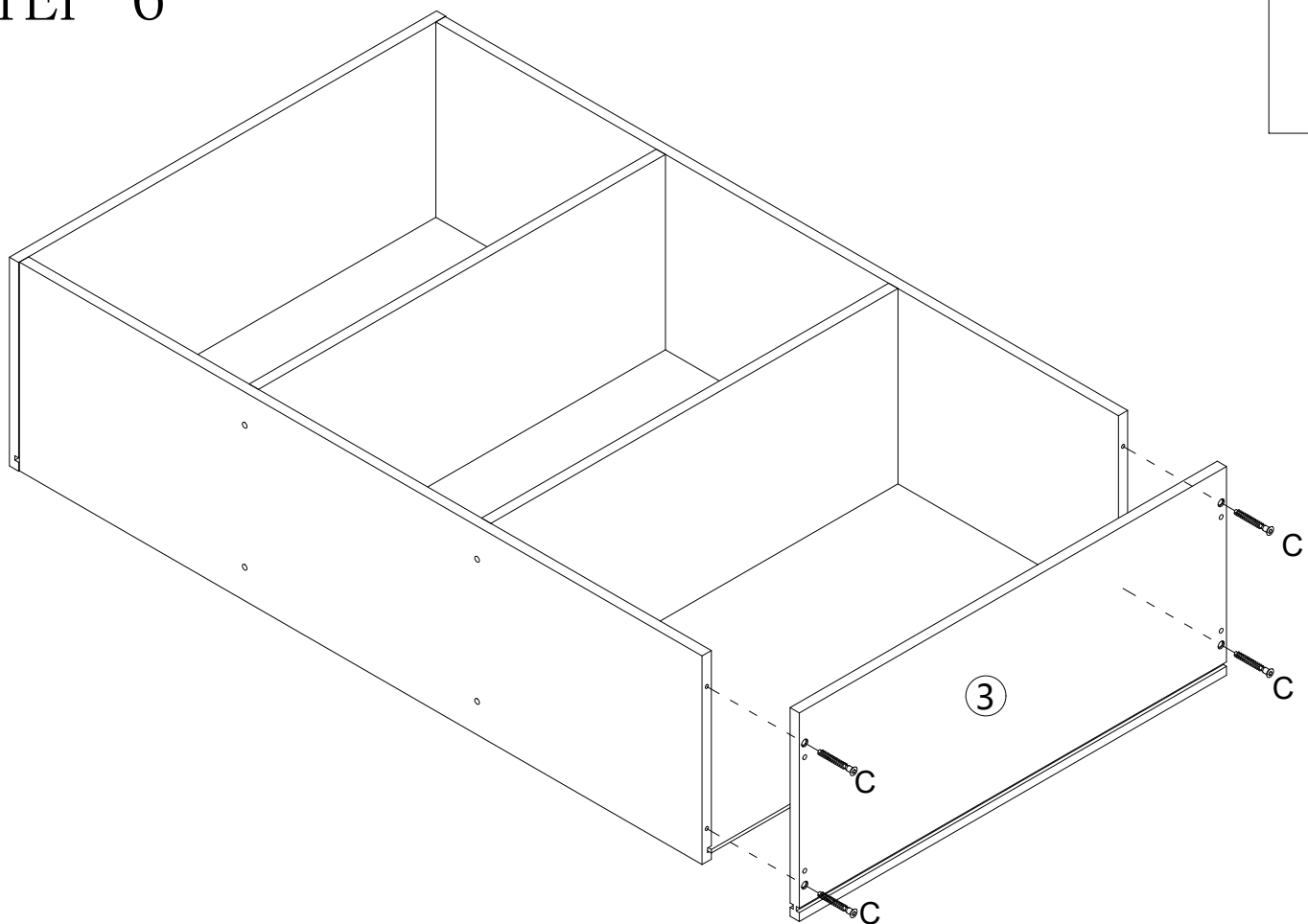
## STEP 5

C 4PCS



## STEP 6

C 4PCS



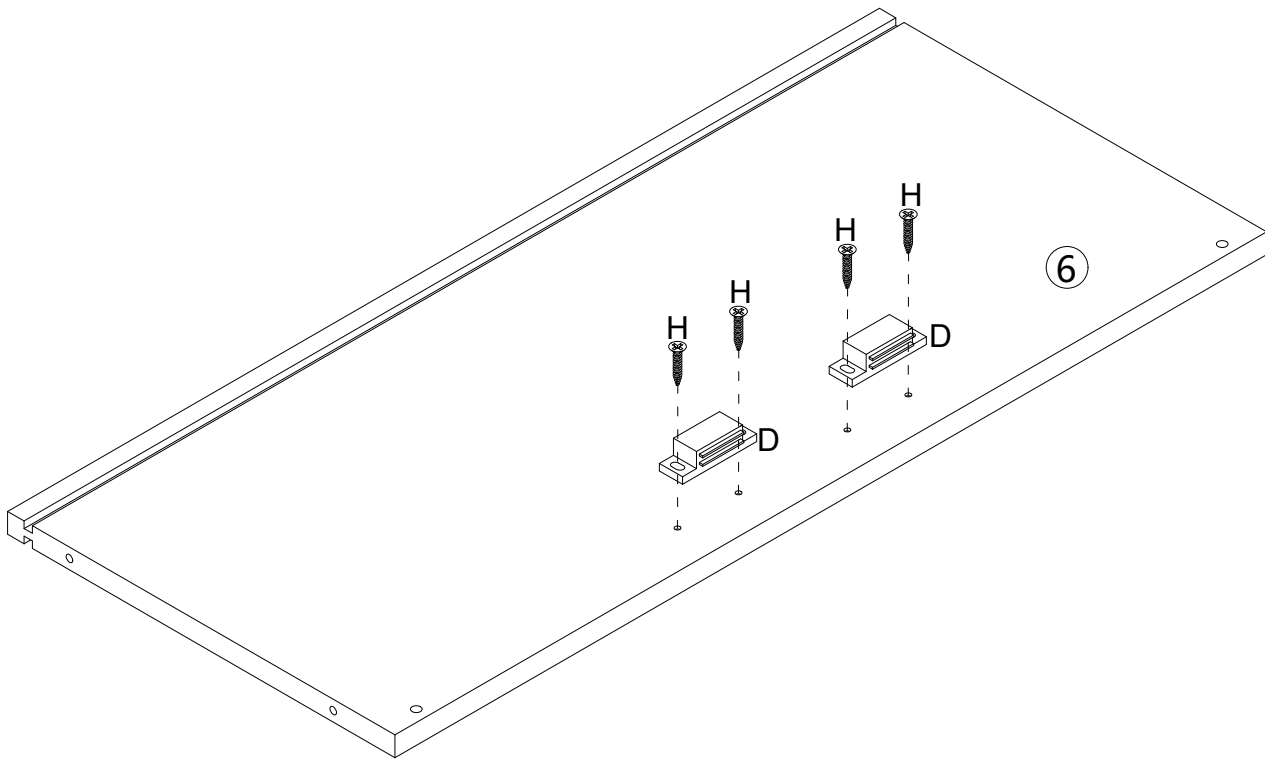
# ASSEMBLY INSTRUCTION

## STEP 7

D 2PCS

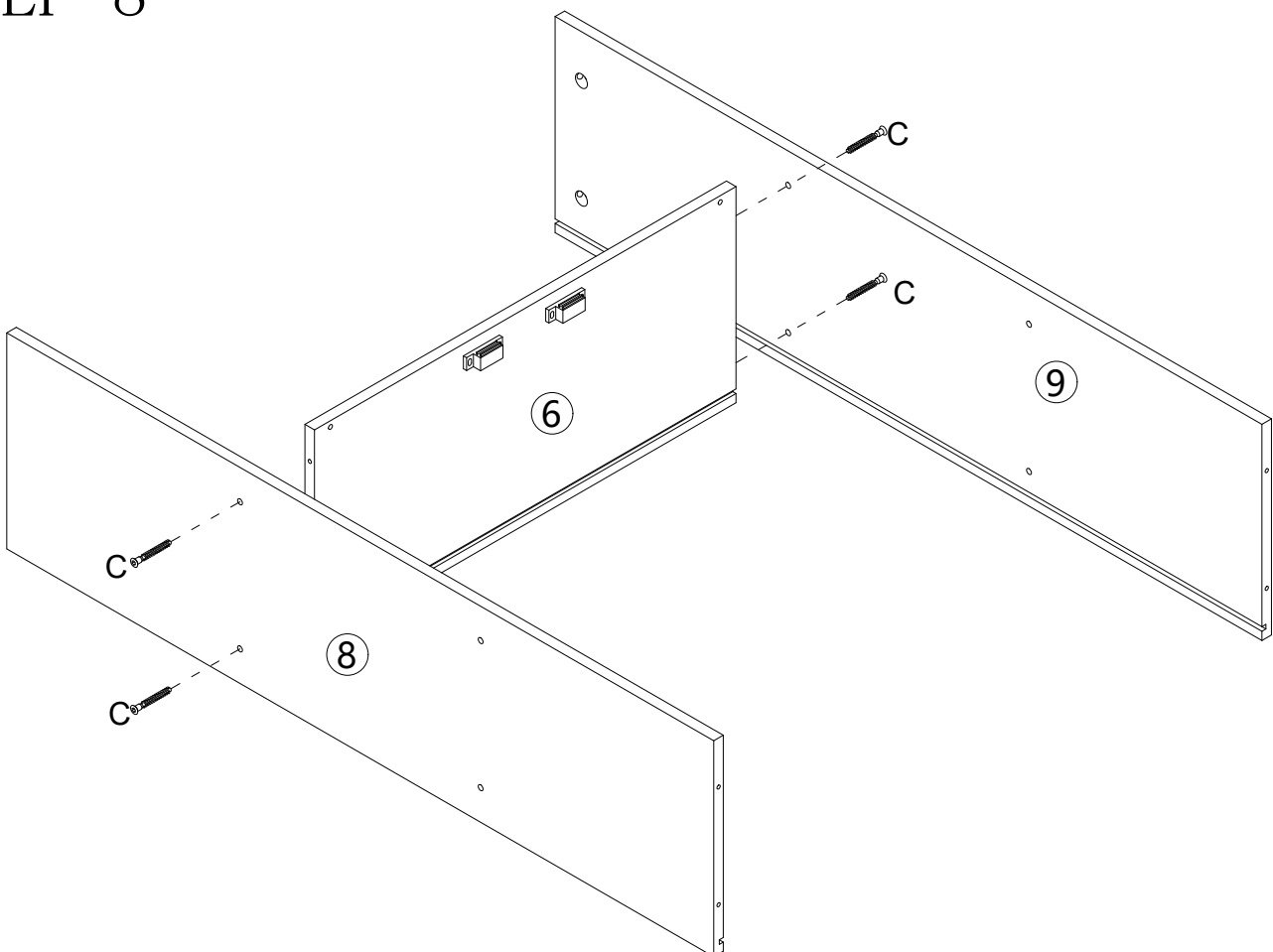


H 4PCS

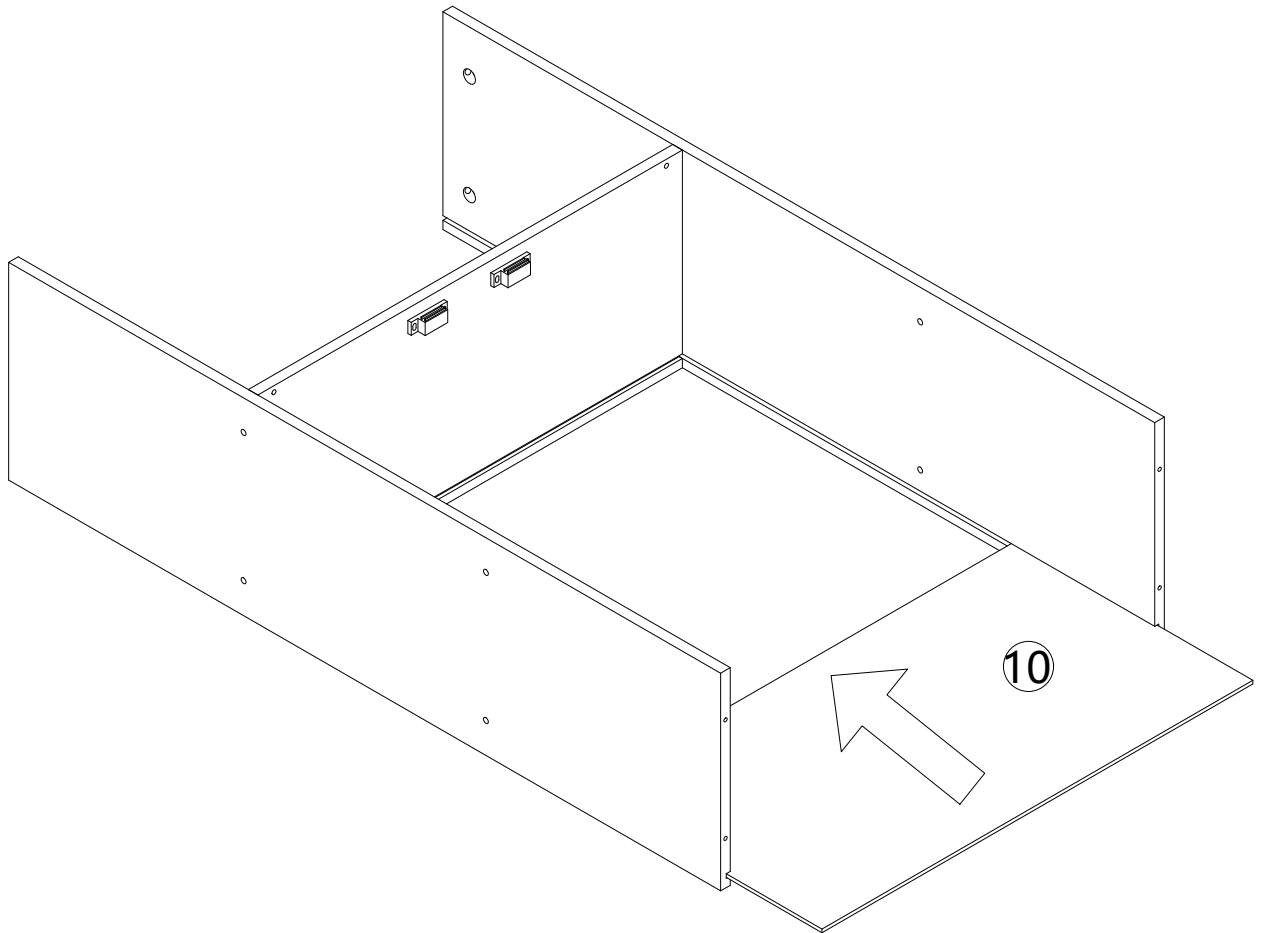


## STEP 8

C 4PCS

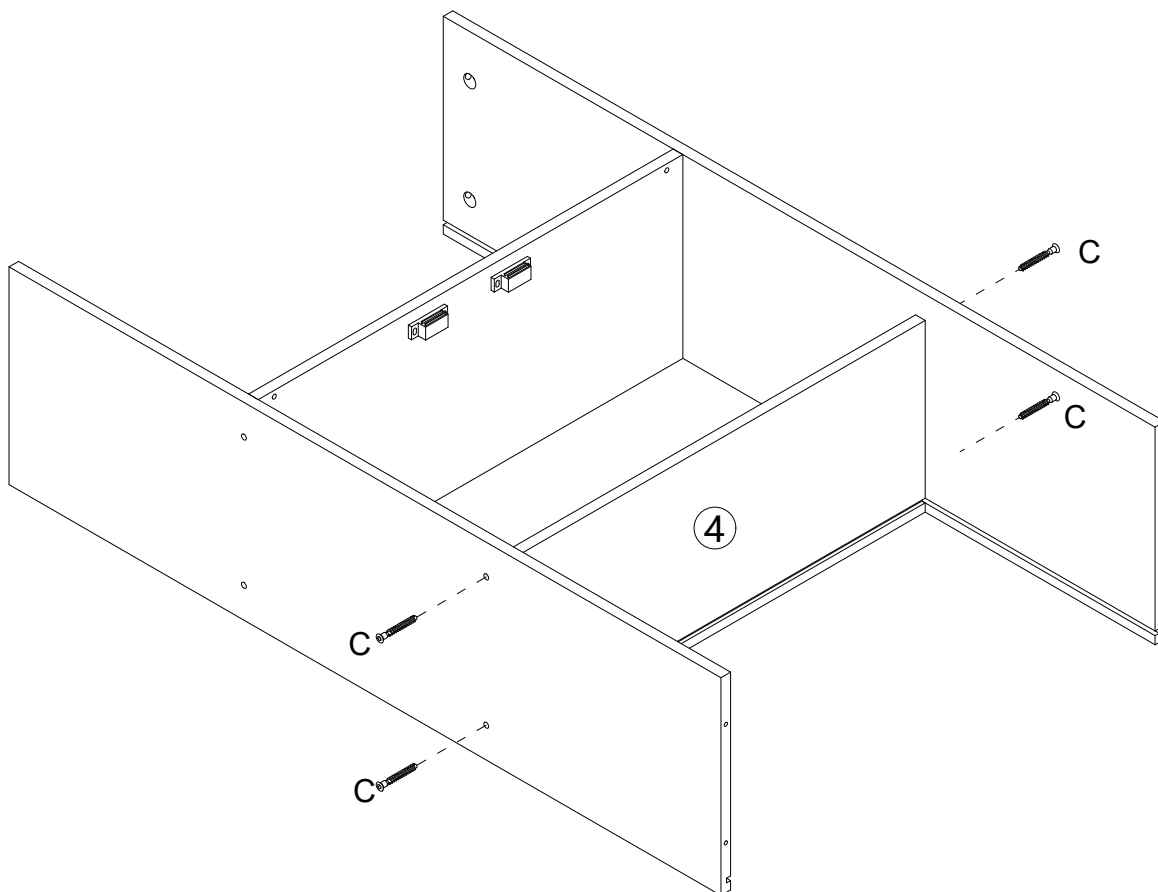


## STEP 9

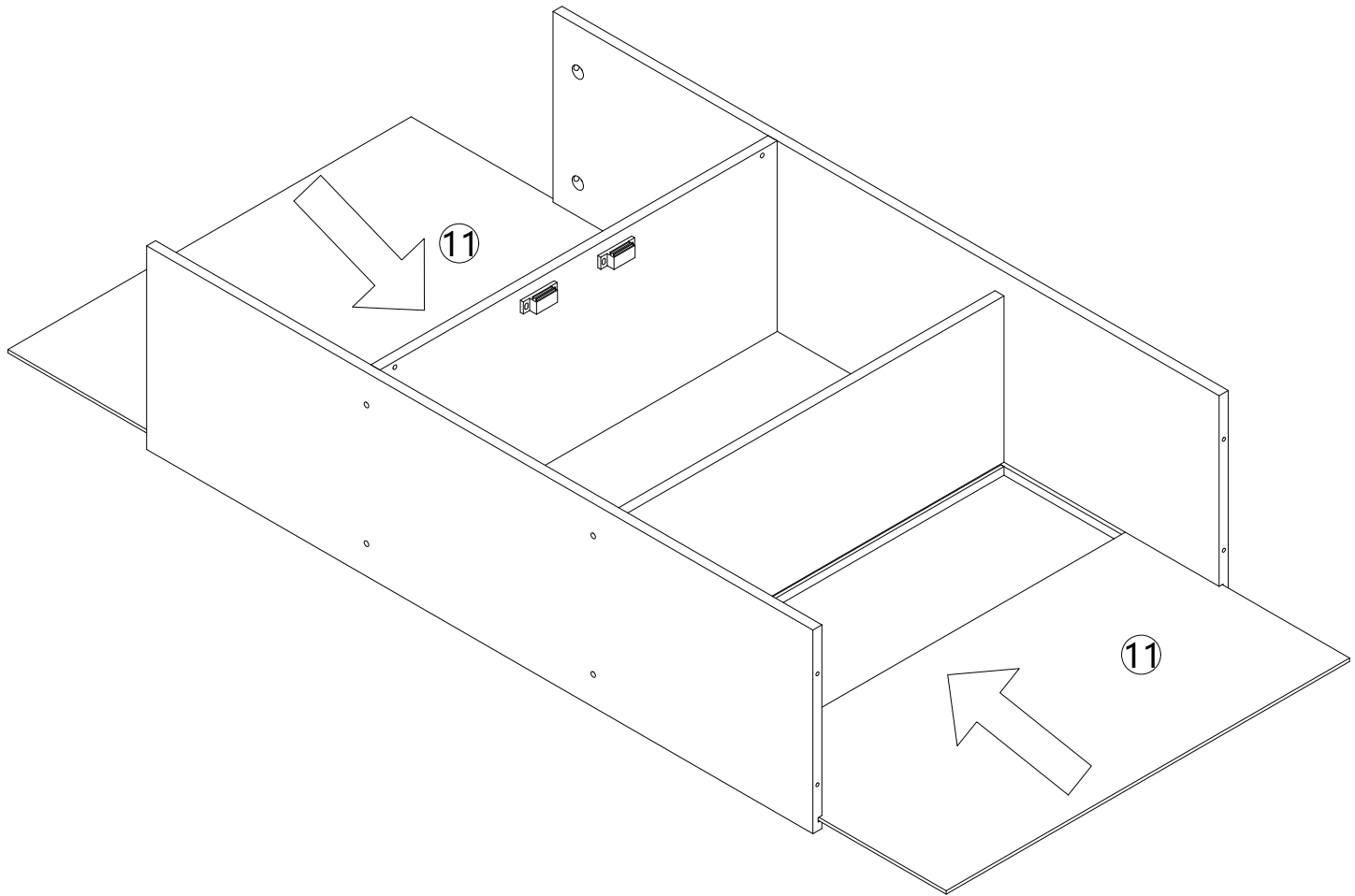


## STEP 10

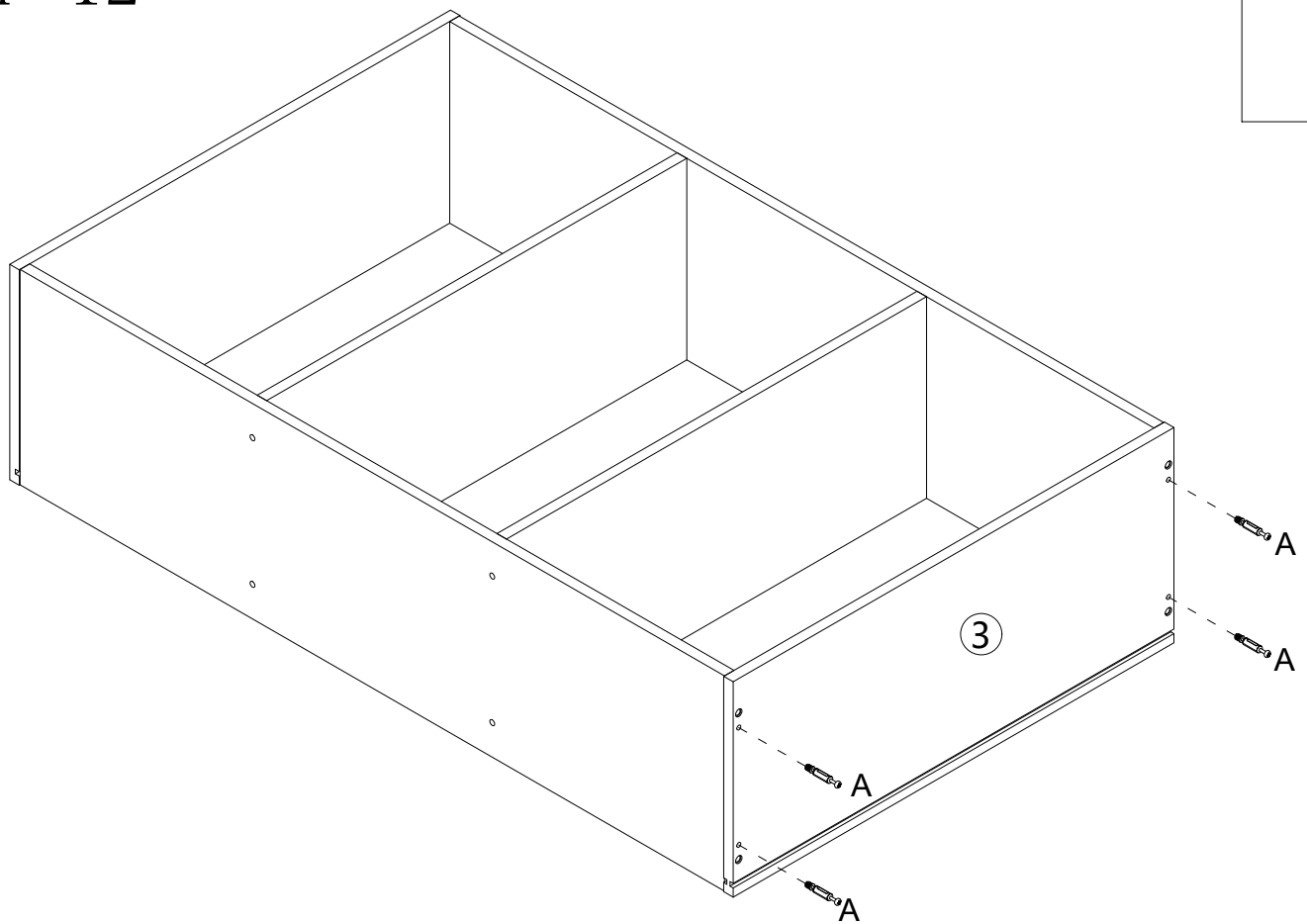
C 4PCS



## STEP 11



## STEP 12

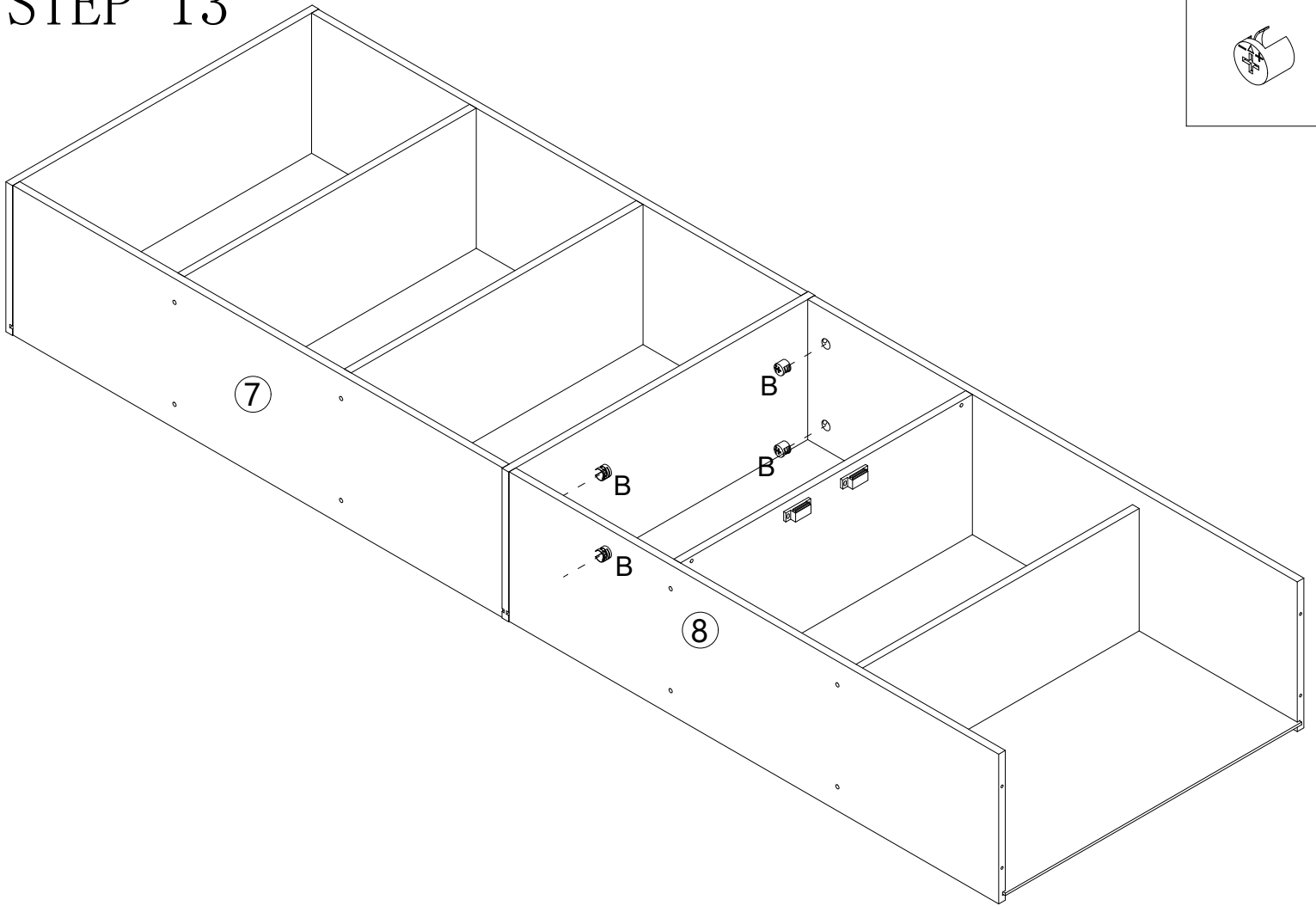


A 4PCS



## STEP 13

B 4PCS

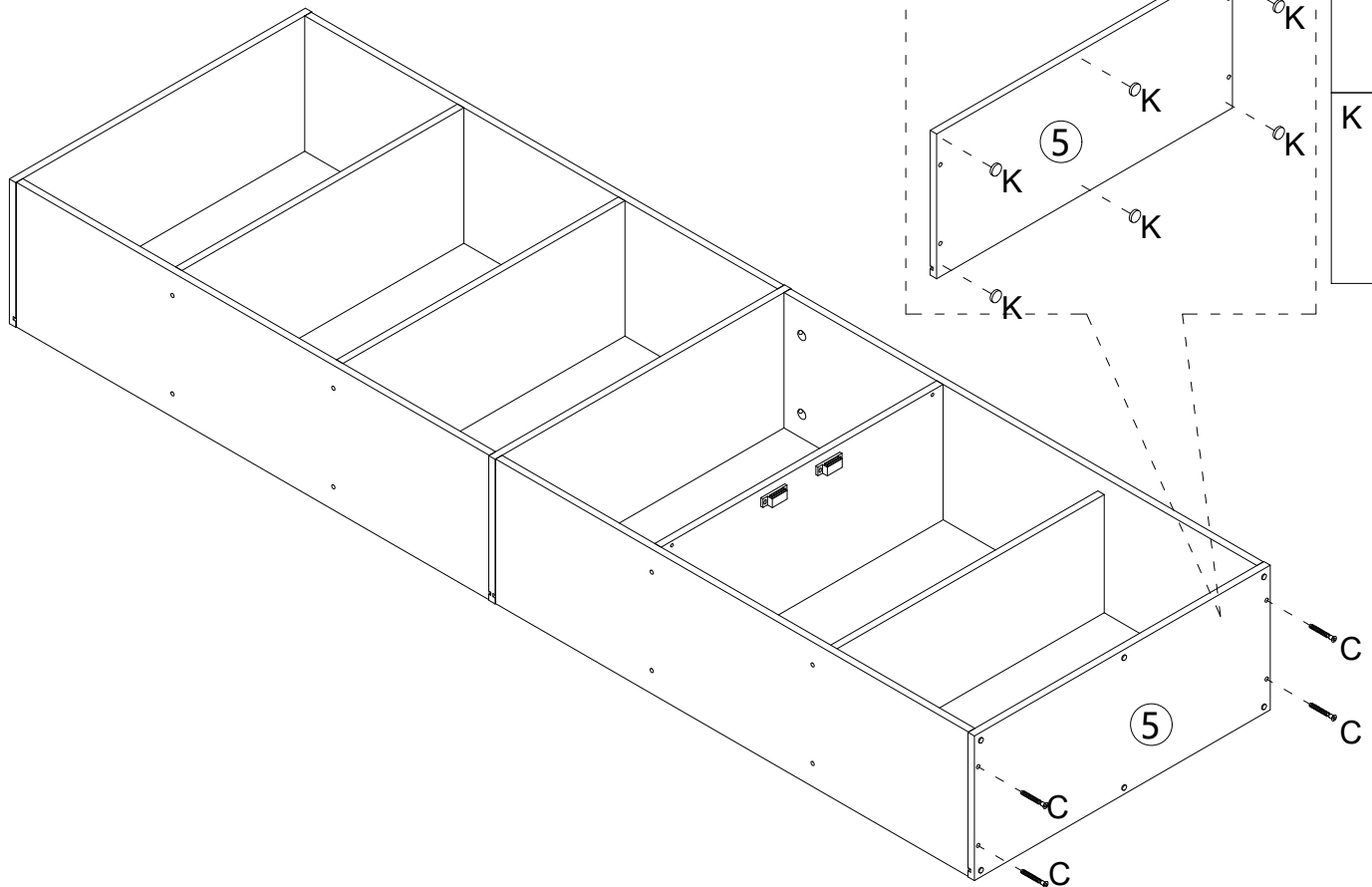


## STEP 14

C 4PCS

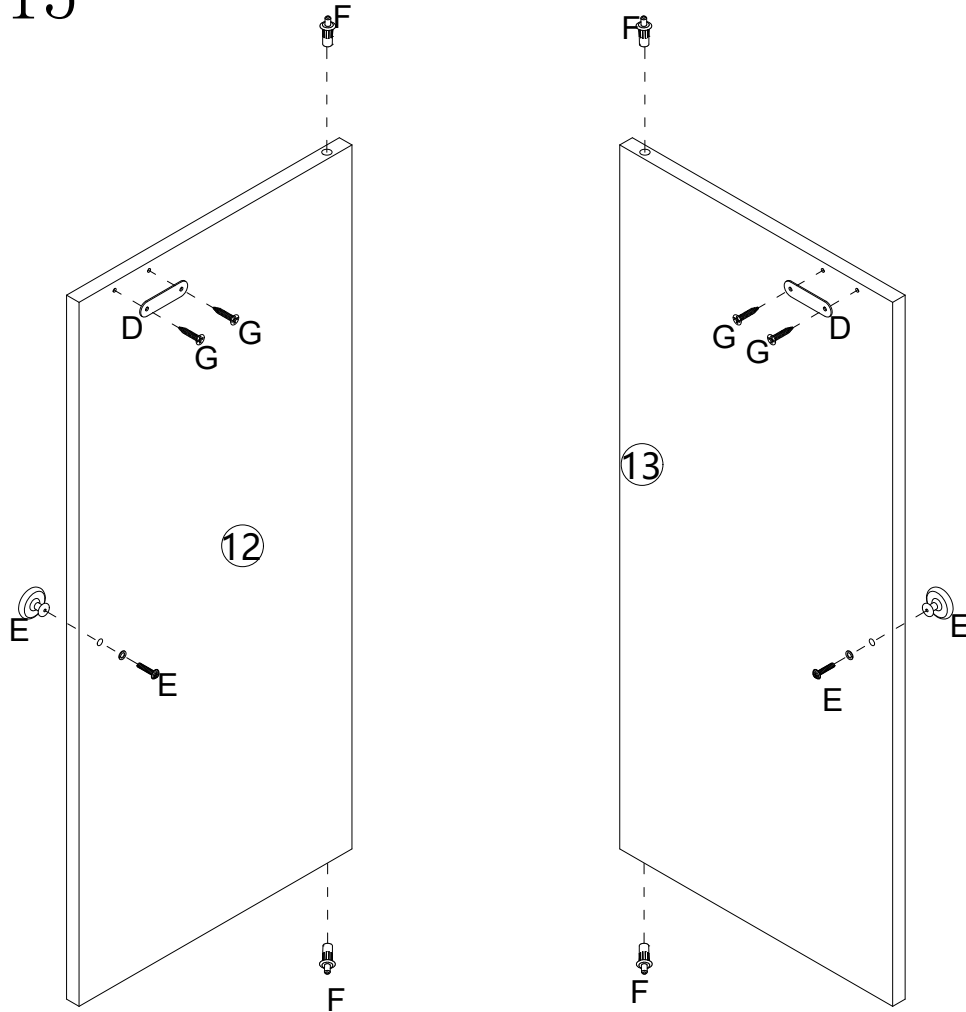


K 6PCS



# ASSEMBLY INSTRUCTION

## STEP 15



E 2PCS



F 4PCS



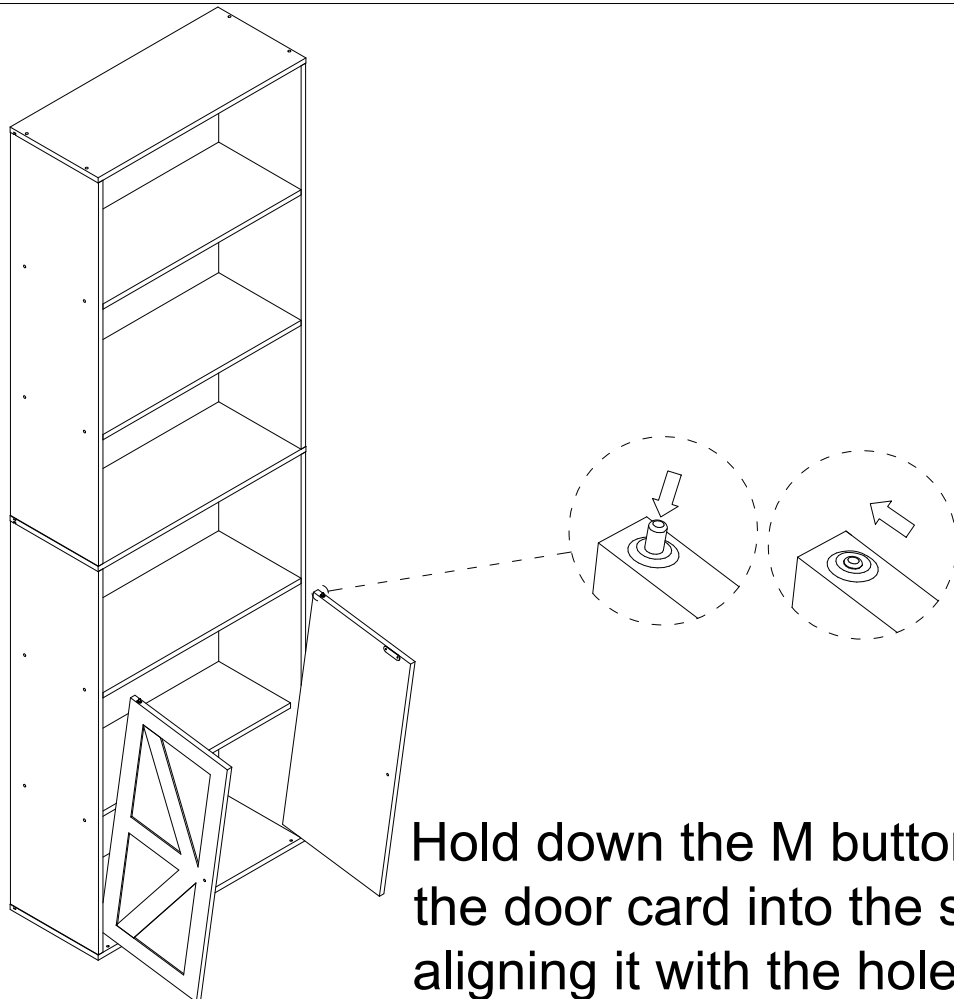
D 2PCS



G 4PCS



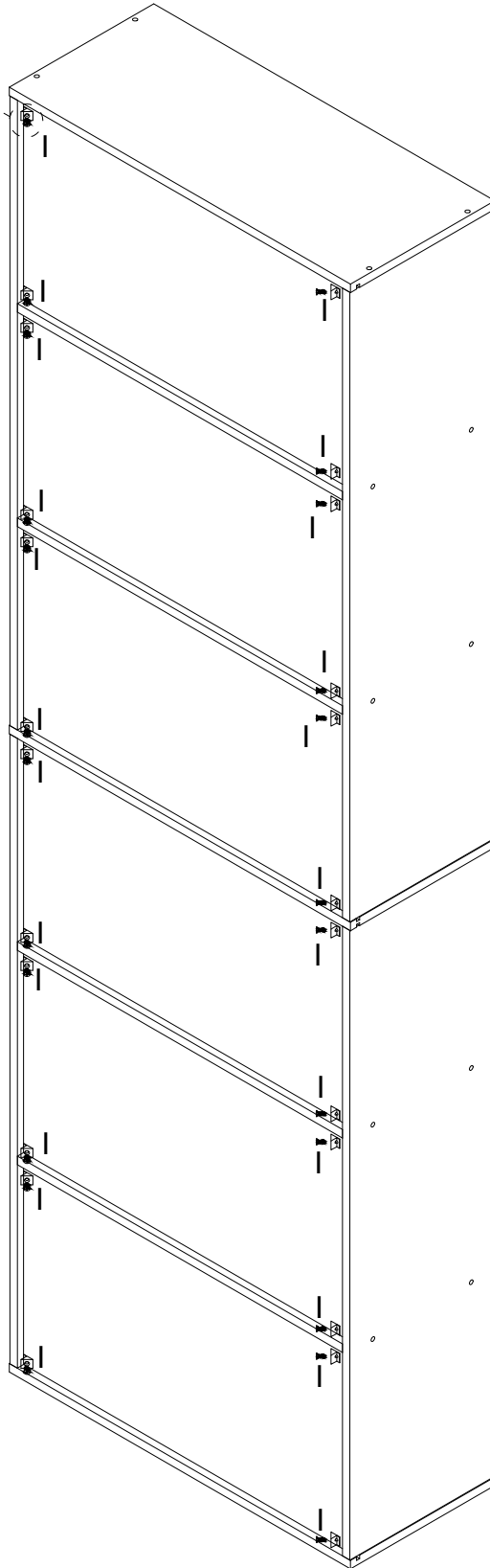
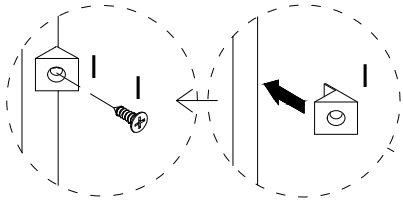
## STEP 16



Hold down the M button and insert the door card into the slot inside, aligning it with the hole.

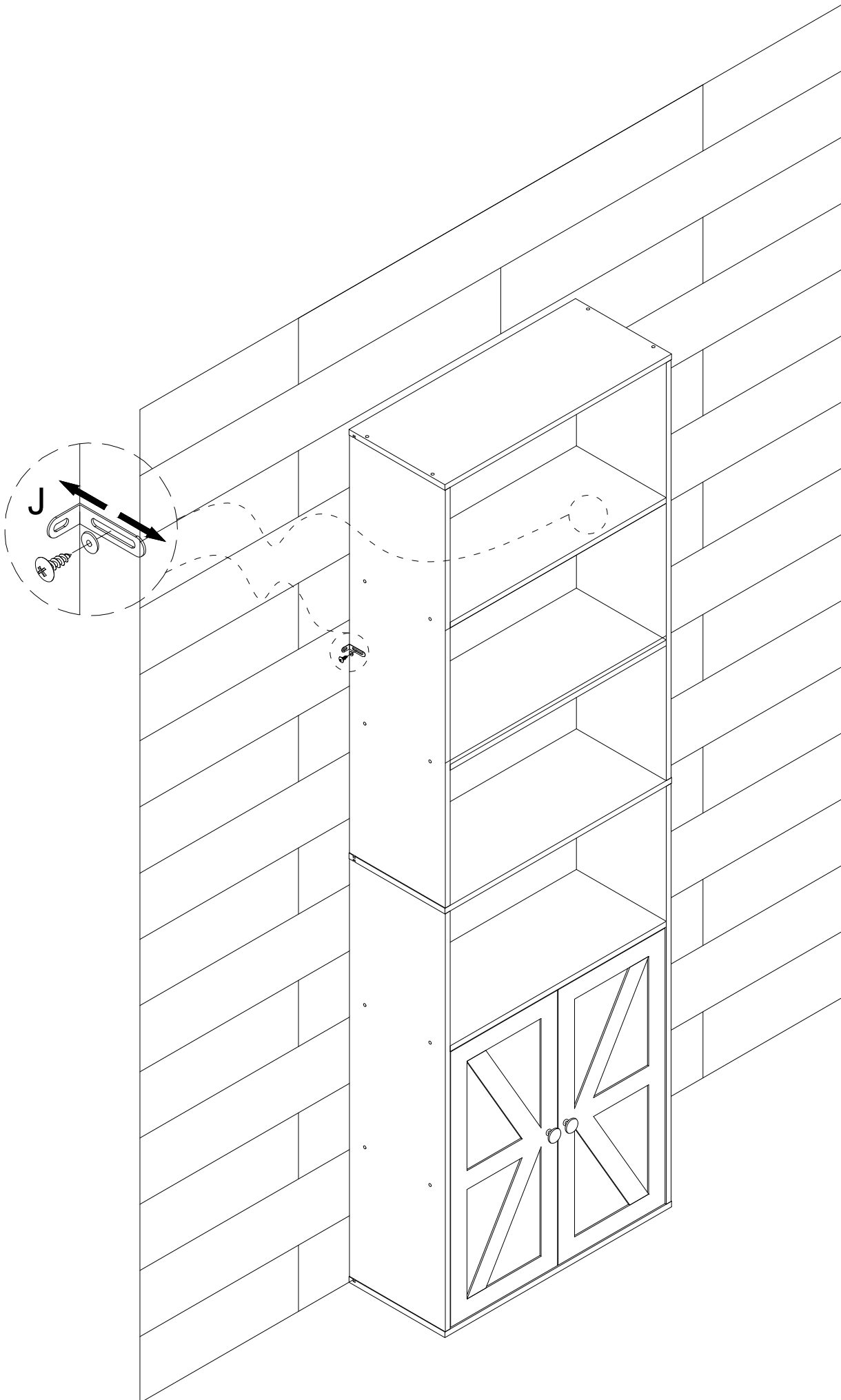
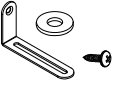
## STEP 17

I 24PCS



## STEP 18

J 2PCS



## STEP 19

J 2PCS

