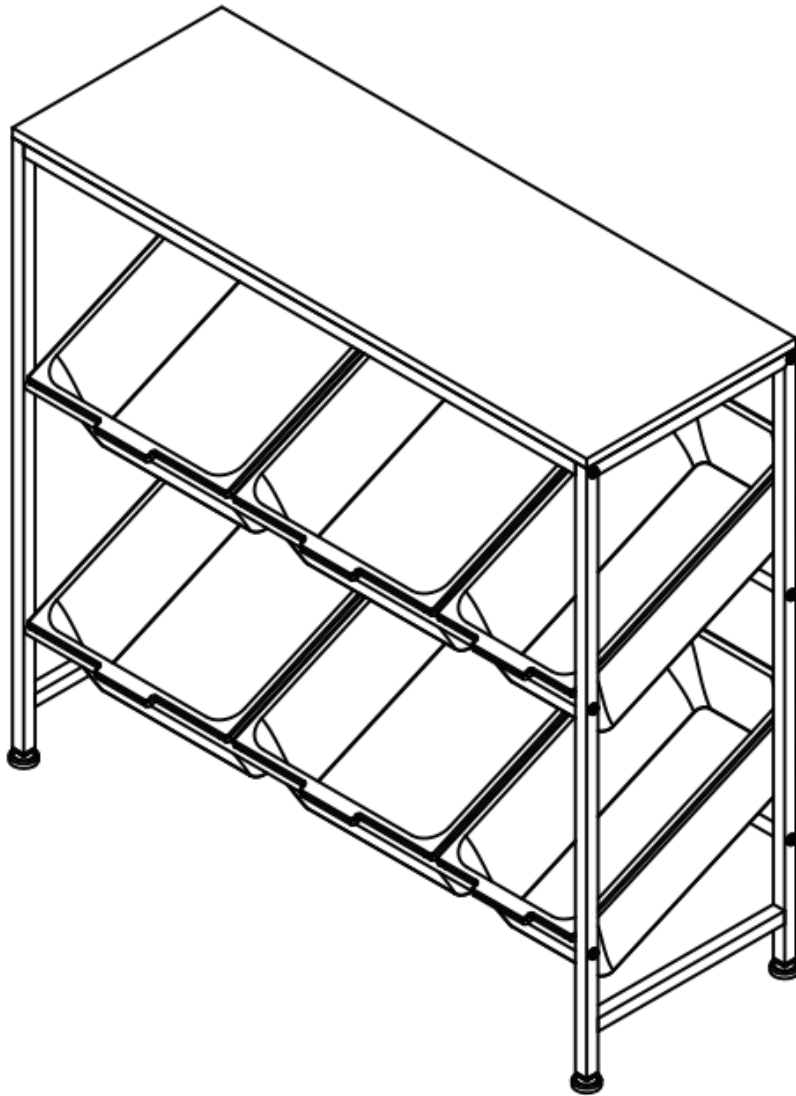


seville classics®

6-Bin Organizer

32.50" W x 14.23" D X 30.51" H



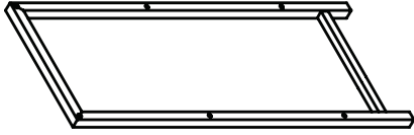


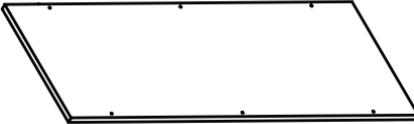

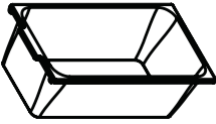
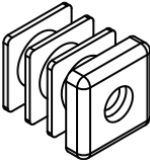
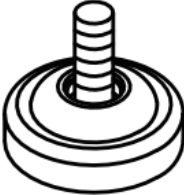
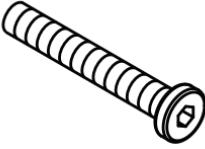
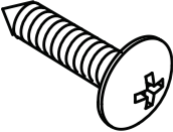
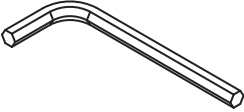
Model #: SHE16306, SHE16306B

Thank you for choosing Seville Classics! We hope that you enjoy your 6-Bin Organizer! Please read through this guide for parts list, assembly instructions, frequently asked questions and further contact information.

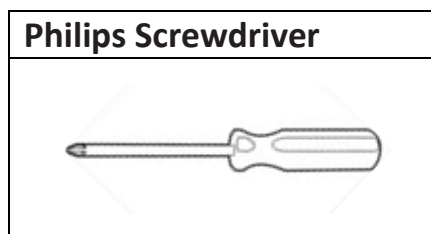
HT06102025

Parts List

Please make sure you have all the parts on this list. If you're missing parts, contact us for replacements at (800) 323-5565 or send an email to Support@SevilleClassics.com

A. Side Frame (2) 	B. Top Rail (2) 	C. Bin Rail (4) 
D. Top Shelf (1) 	E. Large Bin (4) 	F. Medium Bin (2) 
G. Leveling Feet Sleeve (4) 	H. Leveling Feet (4) 	I. Hexagon Head Screw (12) 
J. Screw (6) 	K. Hex Key (1) 	

Tool Required – NOT INCLUDED

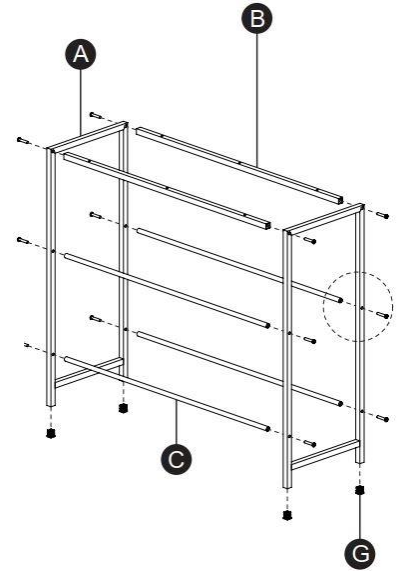
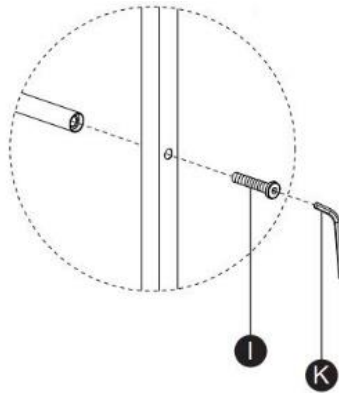


Step 1

Align the **Top Rail (B)** with the screw holes on the **Side Frames (A)**. Attach using 2 **Hexagon Head Screws (I)** and tighten with a **Hex Key (K)**. Repeat with the second **Top Rail (B)**.

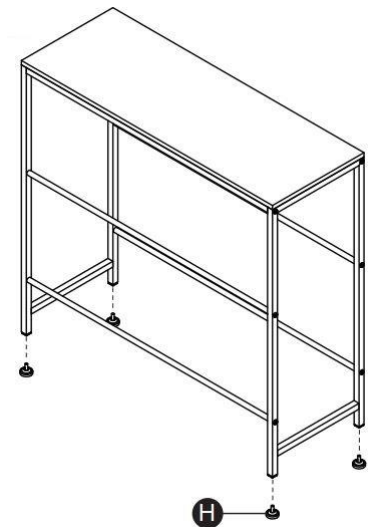
Align a **Bin Rail (C)** with the screw holes on the **Side Frames (A)**. Attach using 2 **Hexagon Head Screws (I)** and tighten with a **Hex Key (K)**. Repeat with the 3 remaining **Bin Rails (C)**.

Insert 4 **Leveling Feet Sleeves (G)** into the bottoms of the **Side Frames (A)**.



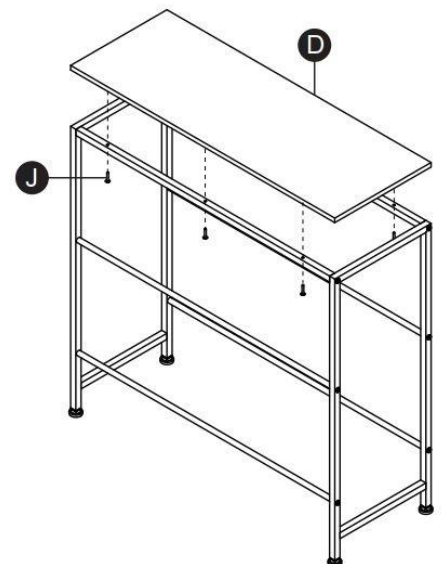
Step 2

Attach the 4 **Leveling Feet (H)** to the bottoms of **Side Frames (A)**.



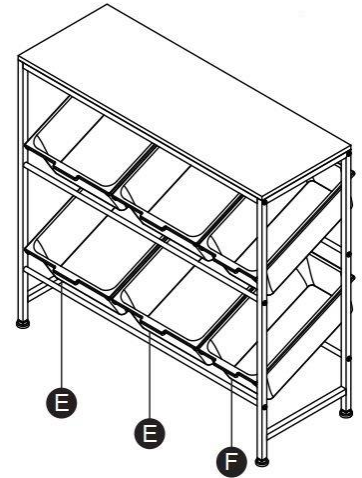
Step 3

Place the **Top Shelf (D)** down and align it with the screw holes on the **Top Rail (B)**. Attach with 6 **Screws (J)** from underneath and tighten with a **Philips Screwdriver (not included)**.



Step 4

Place 2 large bins (E) and 1 medium bin (F) in each row.



Congratulations! Your 6-Bin Organizer is now assembled.

Warning

DO NOT place more than the stated weight capacity.
DO NOT attempt to climb on, stand on, OR lean on the organizer.

Maintenance

The screws can loosen over time and may require re-tightening. Please save the Hex Key for future use.

Specifications

Dimensions: 32.50" W x 14.23" D x 30.51" H

Weight capacity	Top Shelf	Large Bin	Medium Bin	Overall
On leveling feet	66 lbs. (29.9 kg)	6.5 lbs. (2.9 kg.)	4 lbs. (1.8 kg)	100 lbs. (45.4 kg.)

Customer Service Information

Seville Classics, Inc
Telephone: (800) 323-5565; Fax: (310) 533-3899
Hours: 8:30 AM – 4:30 PM (PST)
Email: Support@SevilleClassics.com
Homepage: www.SevilleClassics.com