

ASSEMBLY INSTRUCTIONS
COASTER FINE FURNITURE

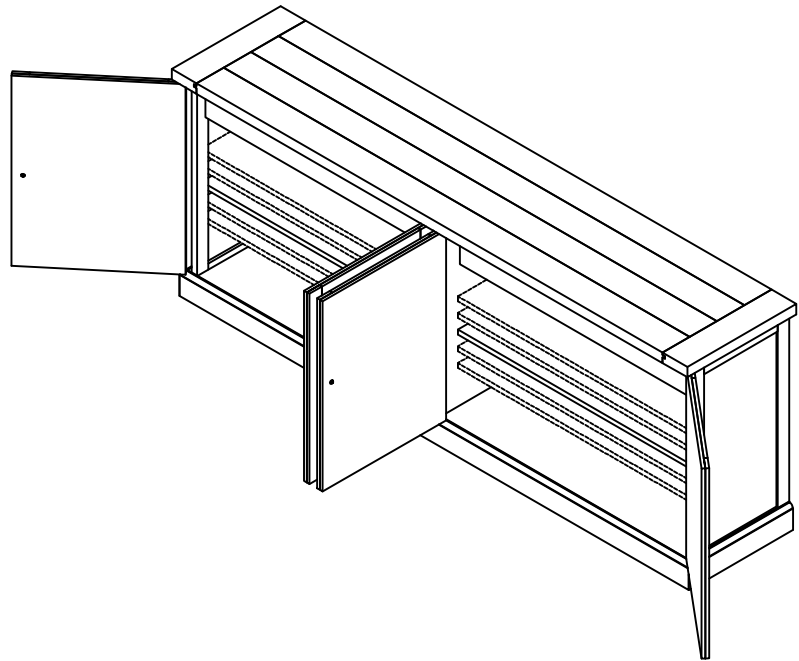
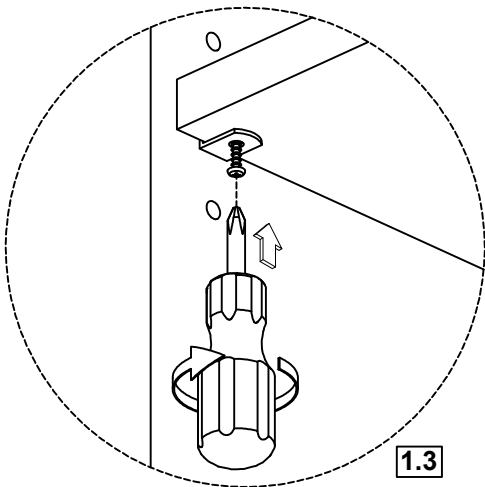
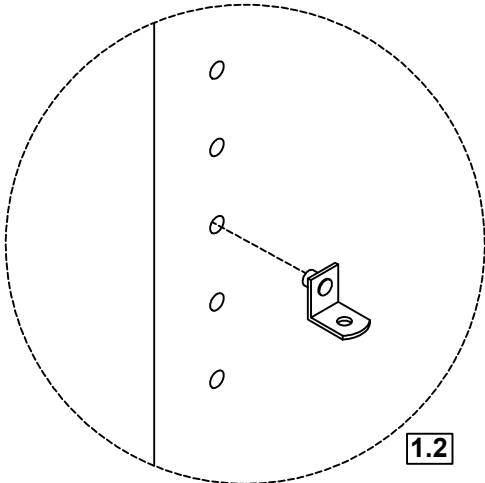
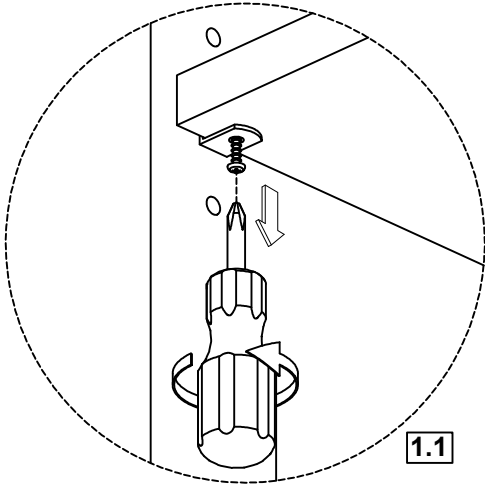


Fine Furniture for every stage of life

115535
Sideboard

ITEM: **115535**

OPTIONAL ADJUSTABLE SHELF



NOTE:

Philips head screw driver is required in the assembly process; however, manufacturer does not provide this item.

ITEM: **115535**

ANTI-TIPPING INSTALLMENT INSTRUCTION FURNITURE TIPPING RESTRAINT



WARNING

Injury may result from tipping furniture.

This restraint may protect against tipping furniture.

Do not allow children to climb on furniture.

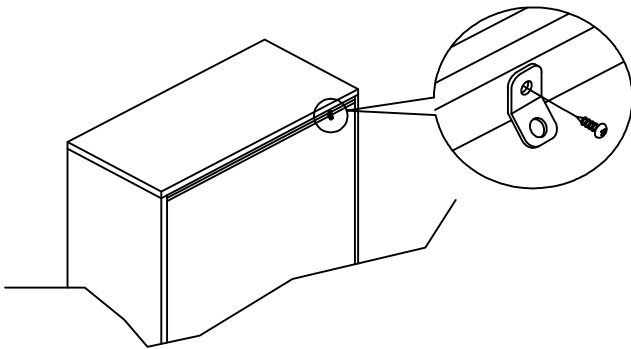
This restraint is not a substitute for proper adult supervision.

Failure to detach this restraint before moving the furniture may result in injury and damage.

This tip restraint must be attached to a wall stud using long screw enclosed.

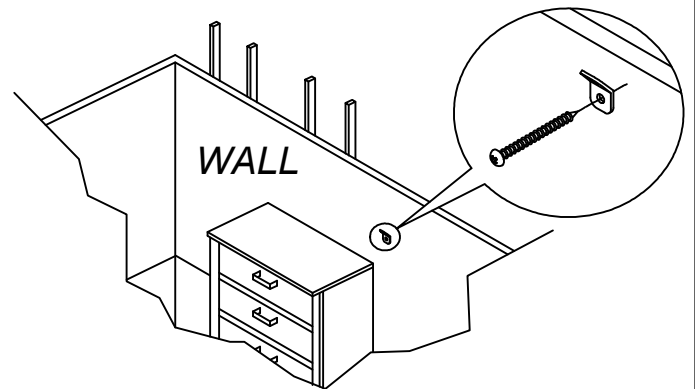
STEP 1

Attach a bracket securely to the back top rail of the furniture using short screw provided, through the smaller hole.



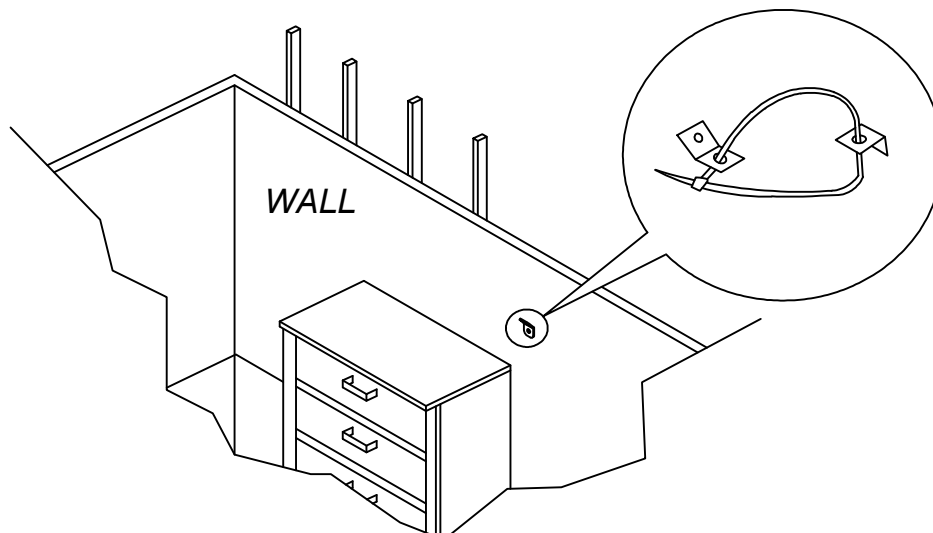
STEP 2

Locate the other bracket on the wall over a wall stud and two inches below the mounting bracket secured to the back of the furniture. Attach the wall stud using the long screw provided, through the smaller hole.



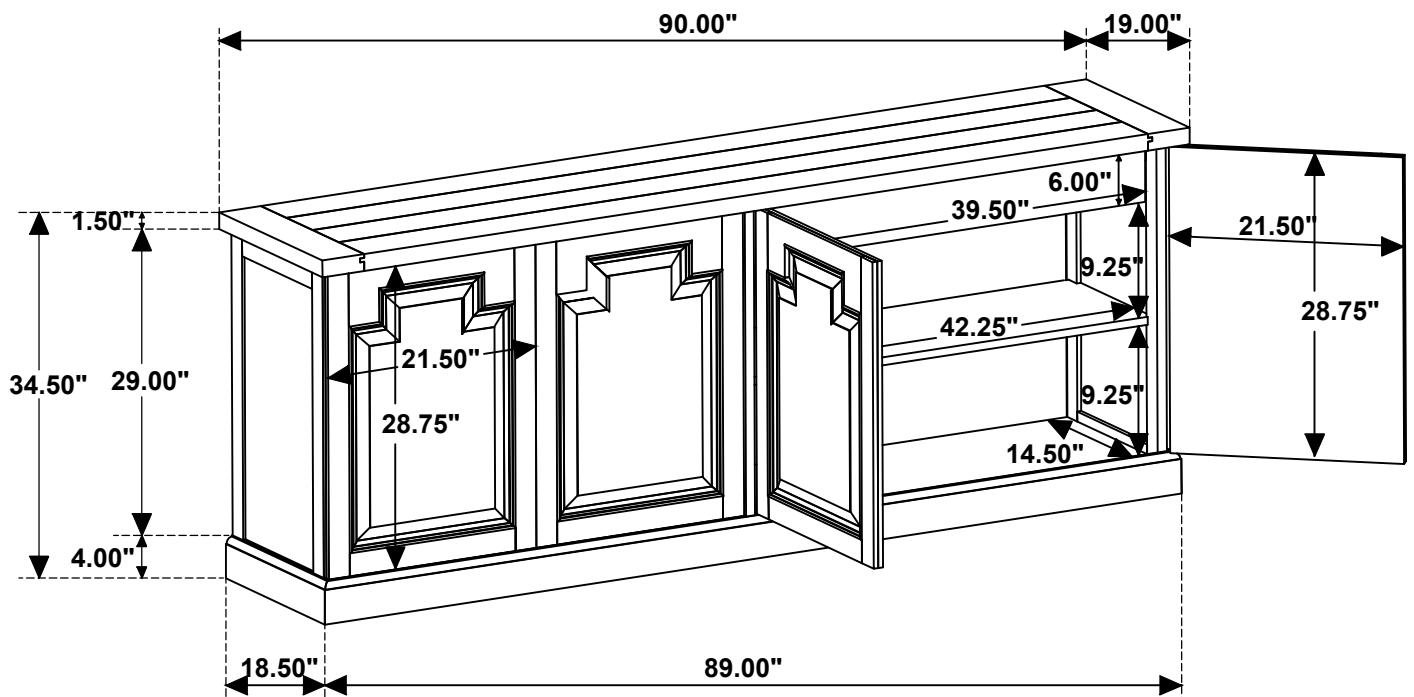
STEP 3

Place the furniture into position so both mounting brackets are vertically in line. Lace the end of the restraint strap through the larger hole in each mounting bracket. Bring both ends together and slide the flat end through the locking end and draw it through until all slack is removed. Confirm that the strap is securely laced and locked.



ITEM:115535

Inner Size of Hidden Drawer : 37.75"W X 13.00"D X 4.50"H



Note : Dimension tolerace $\pm 5\%$