

# ASSEMBLY INSTRUCTION

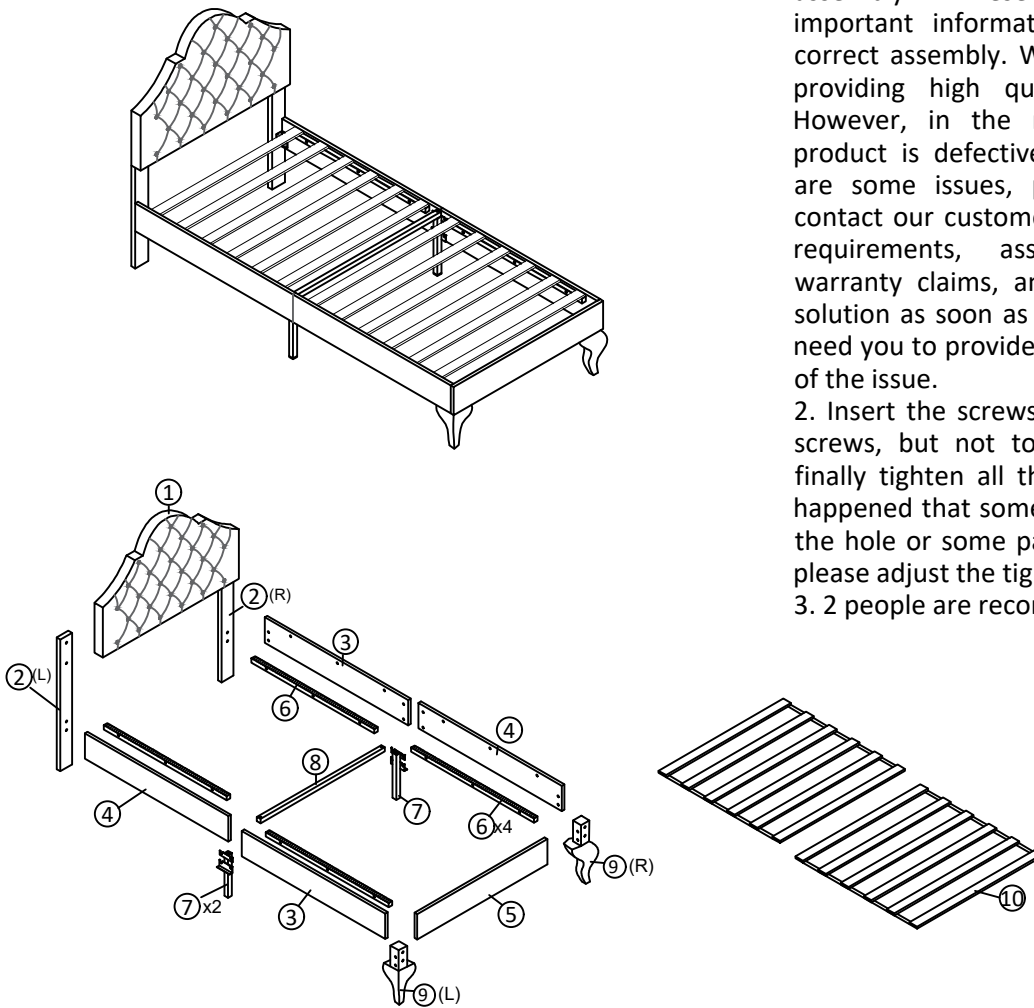
## Upholstered Bed 90x190

### TIPS

1. Please read the instructions fully before assembly. These instructions include important information which could ensure correct assembly. We have been working on providing high quality products for you. However, in the rare instance that your product is defective, missing parts or there are some issues, please don't hesitate to contact our customer service to submit parts requirements, assembly suggestion, or warranty claims, and we will give the best solution as soon as possible. If necessary, we need you to provide some more clear pictures of the issue.

2. Insert the screws in holes and tighten the screws, but not too tight, 70%~80% is ok, finally tighten all the screws. If some issues happened that some screws can not target to the hole or some parts are difficult to install, please adjust the tightness of the screws.

3. 2 people are recommended to finish

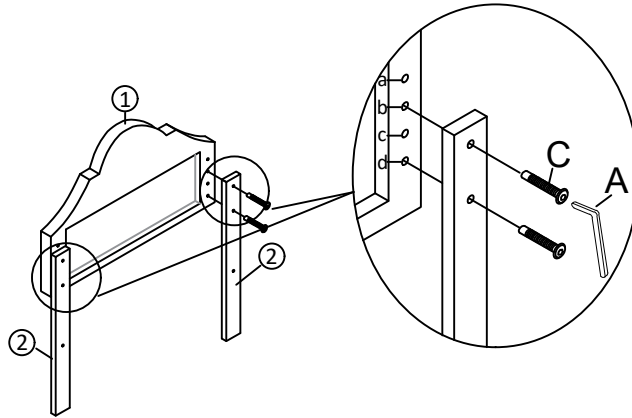




Parts List			Hardware List		
NO	ITEM	QTY	NO	ITEM	QTY
1	Head board	1	A	Allen Key 	1
2	Head board legs	2	B	Bolts (M8x40mm) 	14
3	Siderails	2	C	Bolts (M8x50mm) 	4
4	Siderails	2	D	Bolts (M8x18mm) 	16
5	Foot board	1	E	Washer 	8
6	Side rails support bar	4	F	"7" Connector 	2
7	Side rails support legs	2	G	Bolts (M8x70mm) 	8
8	Cross bar	1			
9	Legs	2			
10	Slats	12			

Attention: Do not tighten the screws before completing the entire installation. If you have any difficulty with the installation process, please feel free to contact us.

## Step 1 x2

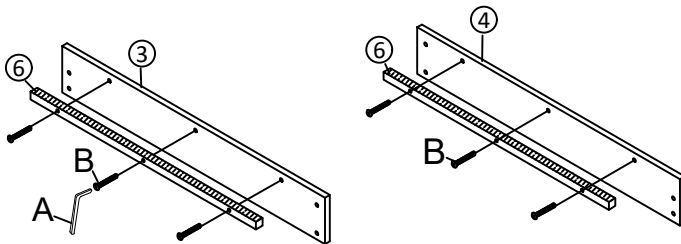
Fix the Headboard legs ② to the Headboard ① with Bolt C by using Allen key A. You can chose the hole a and c ,or b and d.





A Allen Key x 1	C Bolts x 4
	 M8X50mm

## Step 2 x2

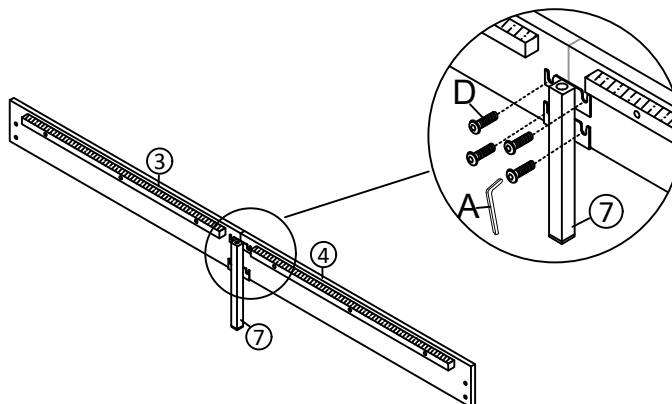
Connect Siderails ③ and ④ to Siderail support bar ⑥ with Bolts B by using Allen key A.





B Bolts x 12	A Allen Key
 M8X40mm	

## Step 3 x2

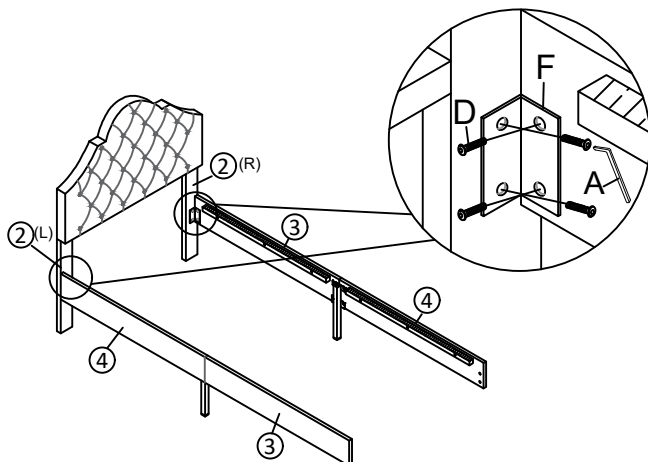
Fix the Siderail support leg ⑦ to the assembled siderail with Bolt D by using Allen key A.



D Bolts x 8	Allen Key
 M8X18mm	

## Step 4 x2

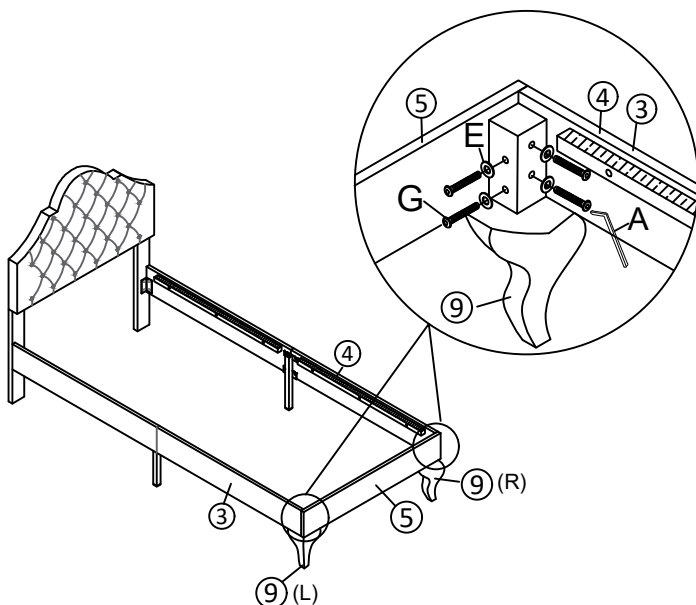
Fix the assembled siderail to the Headboard legs ② with Bolt D and "7" Connector F by using Allen key A.



D Bolts x 8 M8X18mm	F "7" Connector x 2	Allen Key
------------------------	---------------------	-----------

## Step 5 x2

Fix the assembled siderail to the footboard ⑤ with Bolt G, washer E and legs ⑨ by using Allen key A.

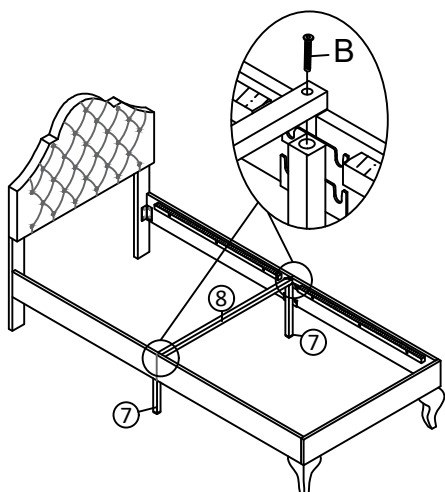


NOTICE: The leg of the bed is divided into left and right, the two higher hole positions are installed at the footboard ⑤, while the two lower hole positions are installed at the side board ③ or ④.

Allen Key	E Washer x 8	G Bolts x 8 M8X70mm
-----------	--------------	------------------------

## Step 6

Fix the cross bar ⑧ to the side rails support legs ⑦ with Bolts B by using Allen key A



Allen Key	B Bolts x 2 M8X40mm
-----------	------------------------

## Step 7

Fix the slats 10 to the side support bar, then assemble is finished, now please tighten all hardware and enjoy the bed.

