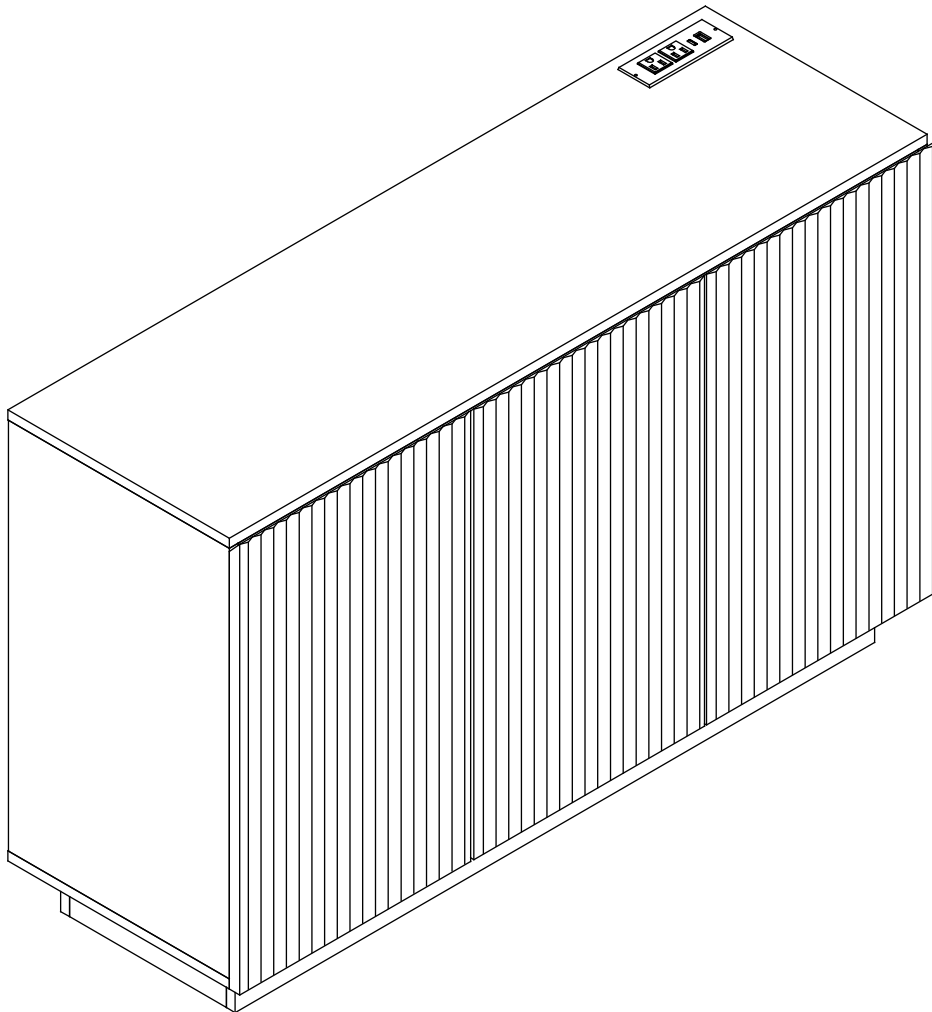


Installation Instruction



Product name

3 Door Cabinet

Friendly Reminder:

Assembling with damaged panels may affect after-sales service. Please check the integrity of all panels before assembly. If any damage is found:

Take photos of the damaged area from multiple angles (preferably under natural light)

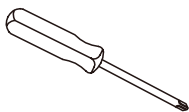
Keep all packaging materials

Do not assemble the product and contact online customer service immediately

Assembling

What you need

- Use the packaging carton as a working surface to prevent product damage during assembly
- Phillips head screwdriver



Weight Limitation

 **100** | **40**
lbs table top | lbs per shelf



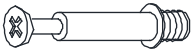
2 PERSONS

What's included

Code	Description	Qty
A	Cam Bolt M6X35MM	28
B	Cam Lock 15X12MM	28
C	Screw M4X40MM	11
D	Screw M3.5X12MM	36
E	Screw M3X14MM	12
F	Screw M4X40MM	2
G	Screw M4X14MM	2
H	Wooden Dowel 5.8X30MM	36
I	Metal Support	8
J	Nylon Strap	2
K	Metal Washer	4
L	Anchor	2
M	Plastic Corner Support	12
N	Hinger	2
O	Hinger	4
P	Outlet	1
Q	Light Blet	1
R	Screw M4X14MM	2

The Hardwares

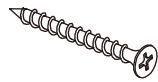
A



B



C



D



E



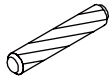
F



G



H



I



J



K



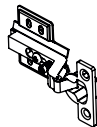
L



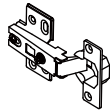
M



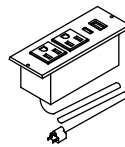
N



O



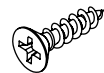
P



Q



R



IMPORTANT:

1. Do not tighten bolts / screws completely until all bolts / screws are lined up and inserted into holes.
2. Do not over tighten screws and bolts to avoid stripping.
3. Please use hand tools to assemble this product. Do not use power tools.
4. Must need 2 people to assemble this product.

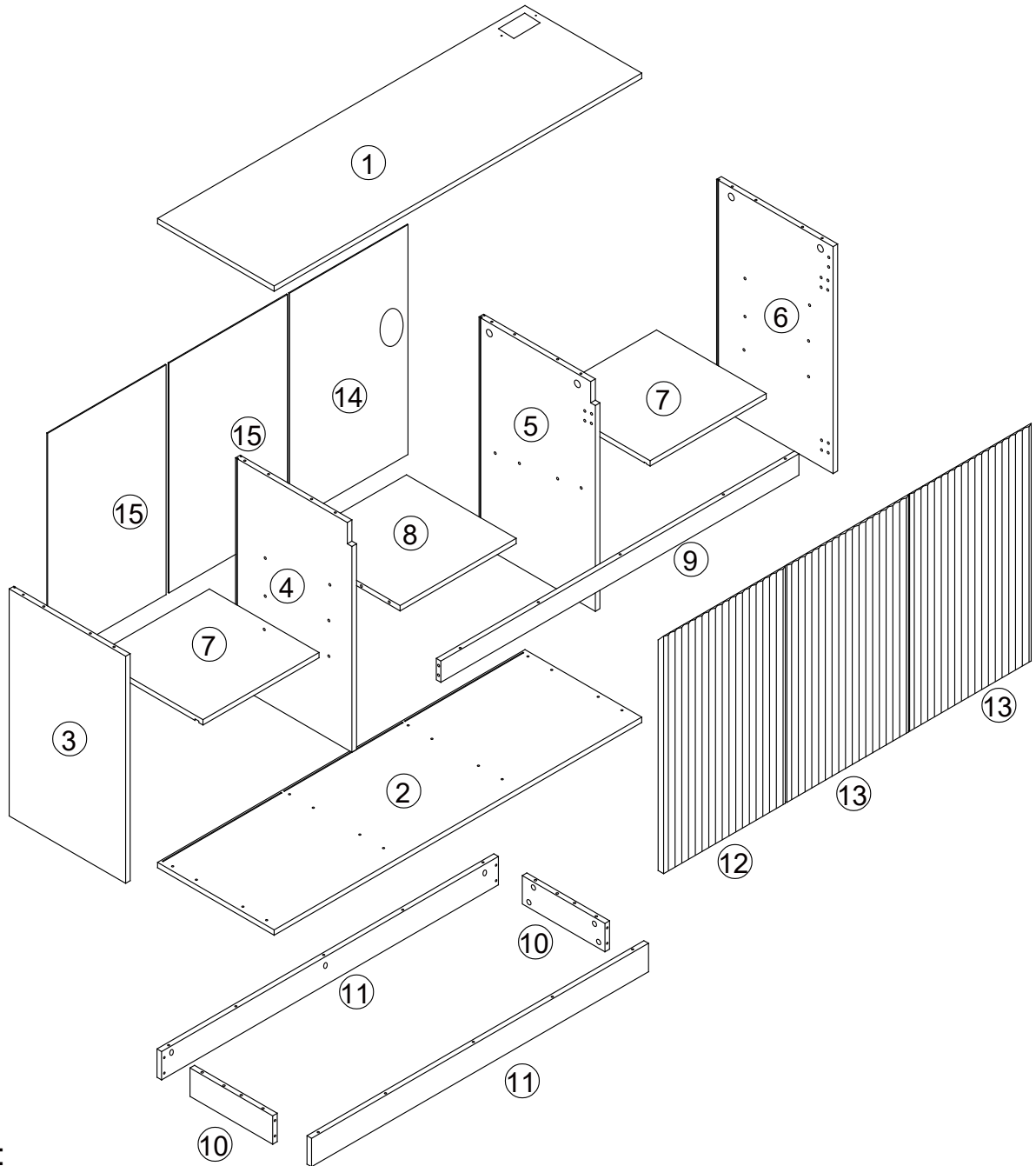


2 PERSONS

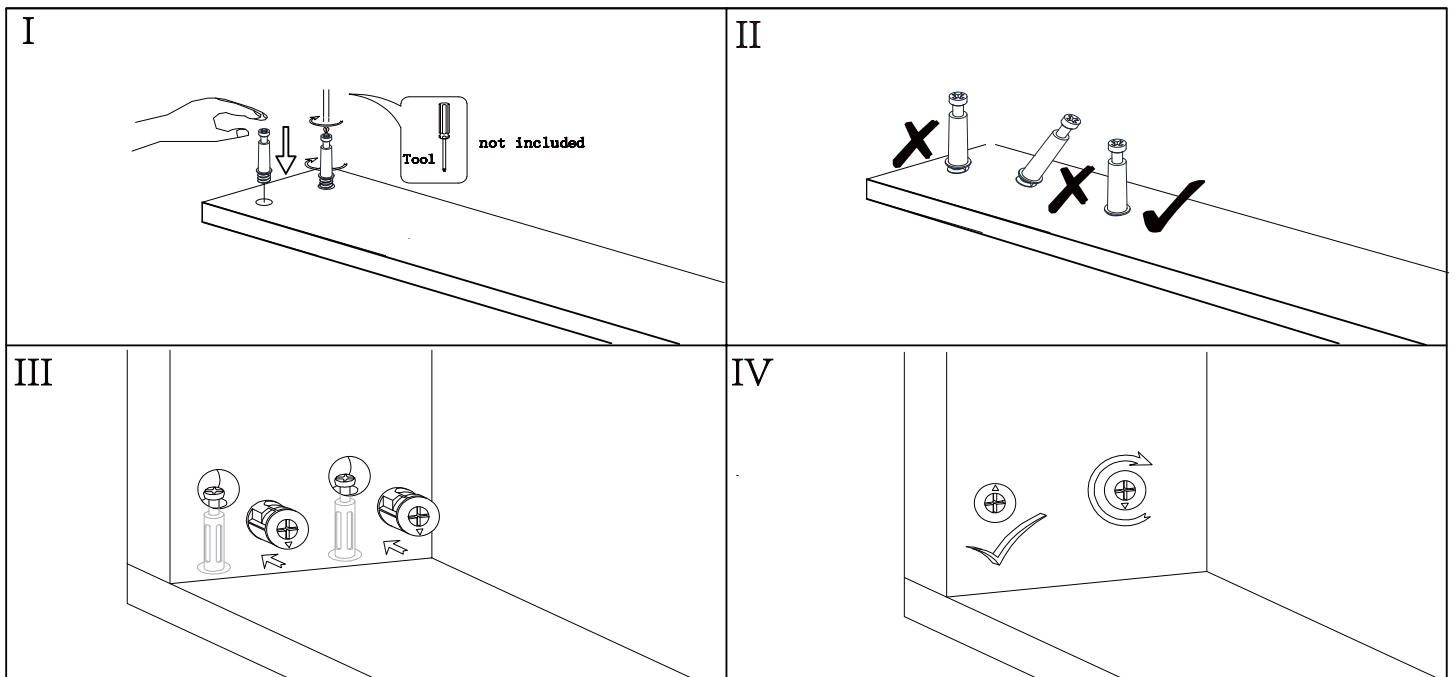
Included Accessories

Code	Description	Qty
1.	Cabinet Top	1
2.	Bottom Panel	1
3.	Left Side Panel	1
4.	Left Division Panel	1
5.	Right Division Panel	1
6.	Right Side Panel	1
7.	Shelf	2
8.	Middle Shelf	1
9.	Top Support Pane	1
10.	Bottom Side Panel	2
11.	Bottom Support Pane	2
12.	Left Door	1
13.	Door	2
14.	Back Panel	1
15.	Back Panel	2

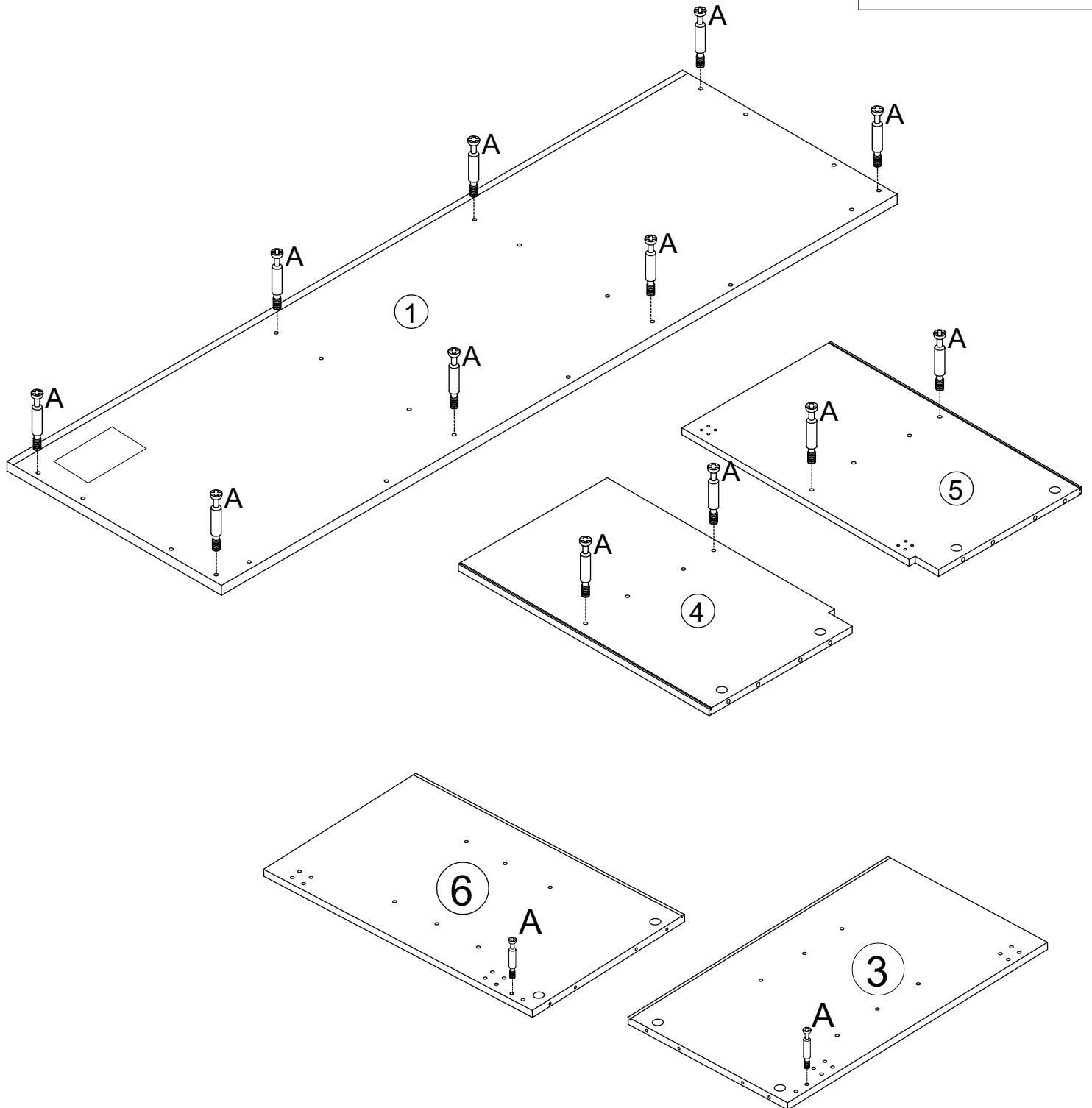
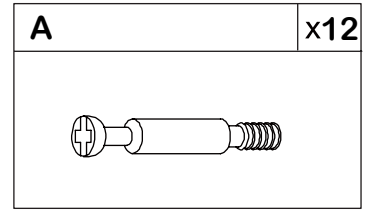
The Accessoriess





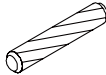
Noted :

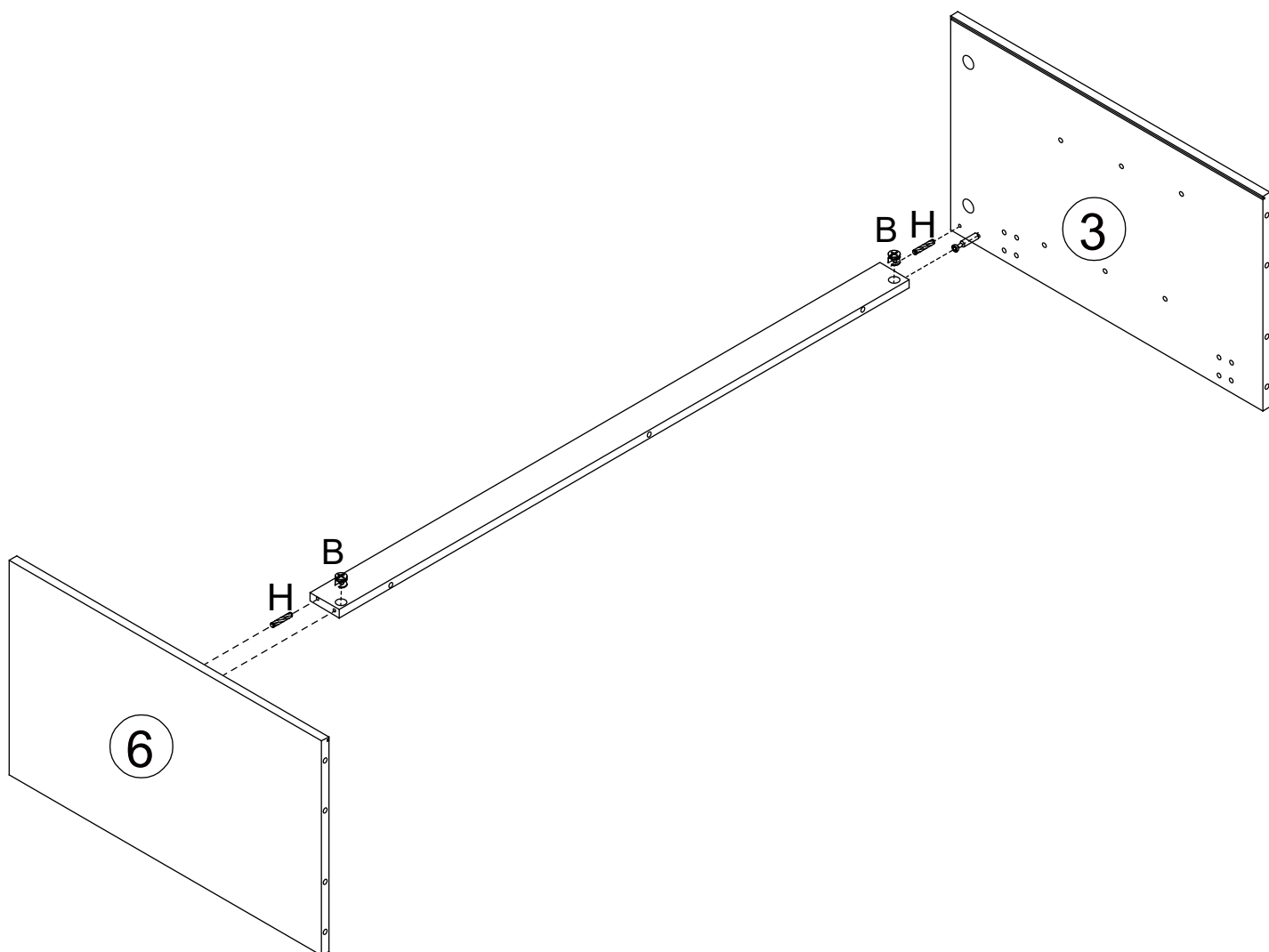


STEP 1

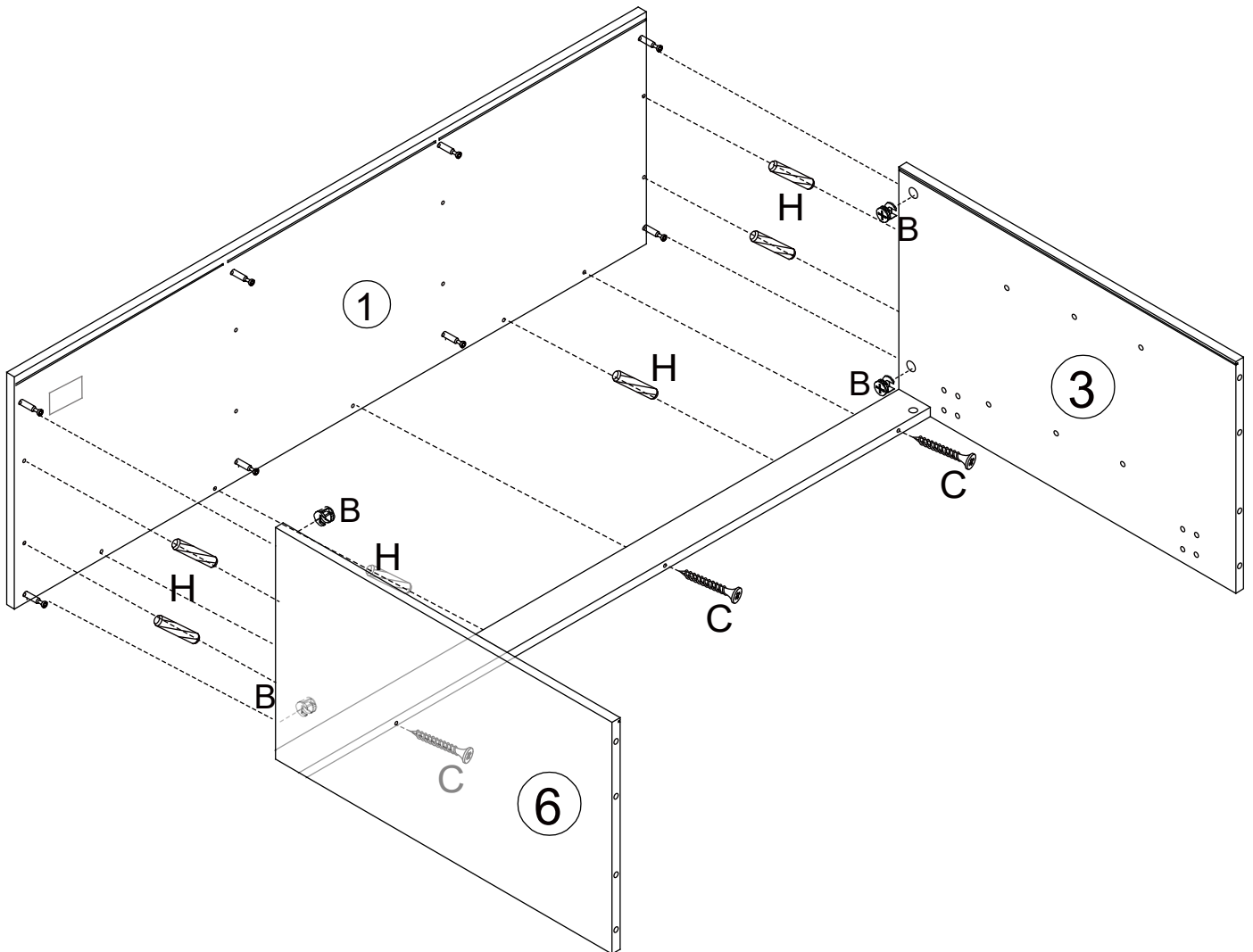
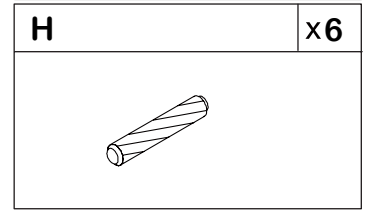
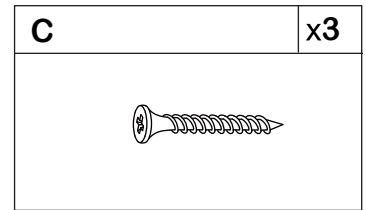
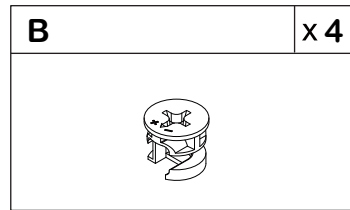


STEP 2


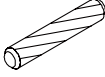
A	x2	B	x2
			
H	x2		
			

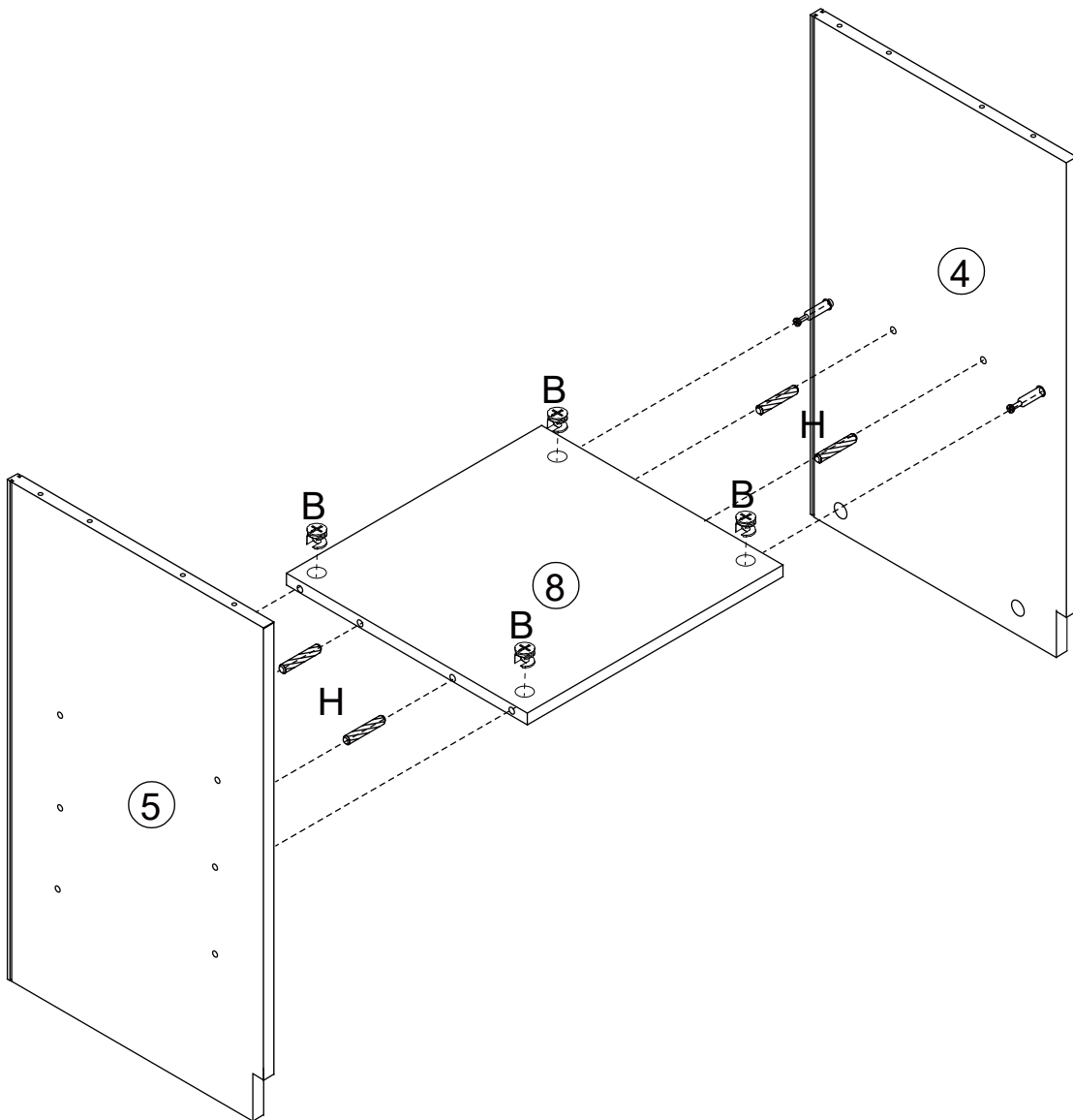


STEP 3


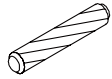


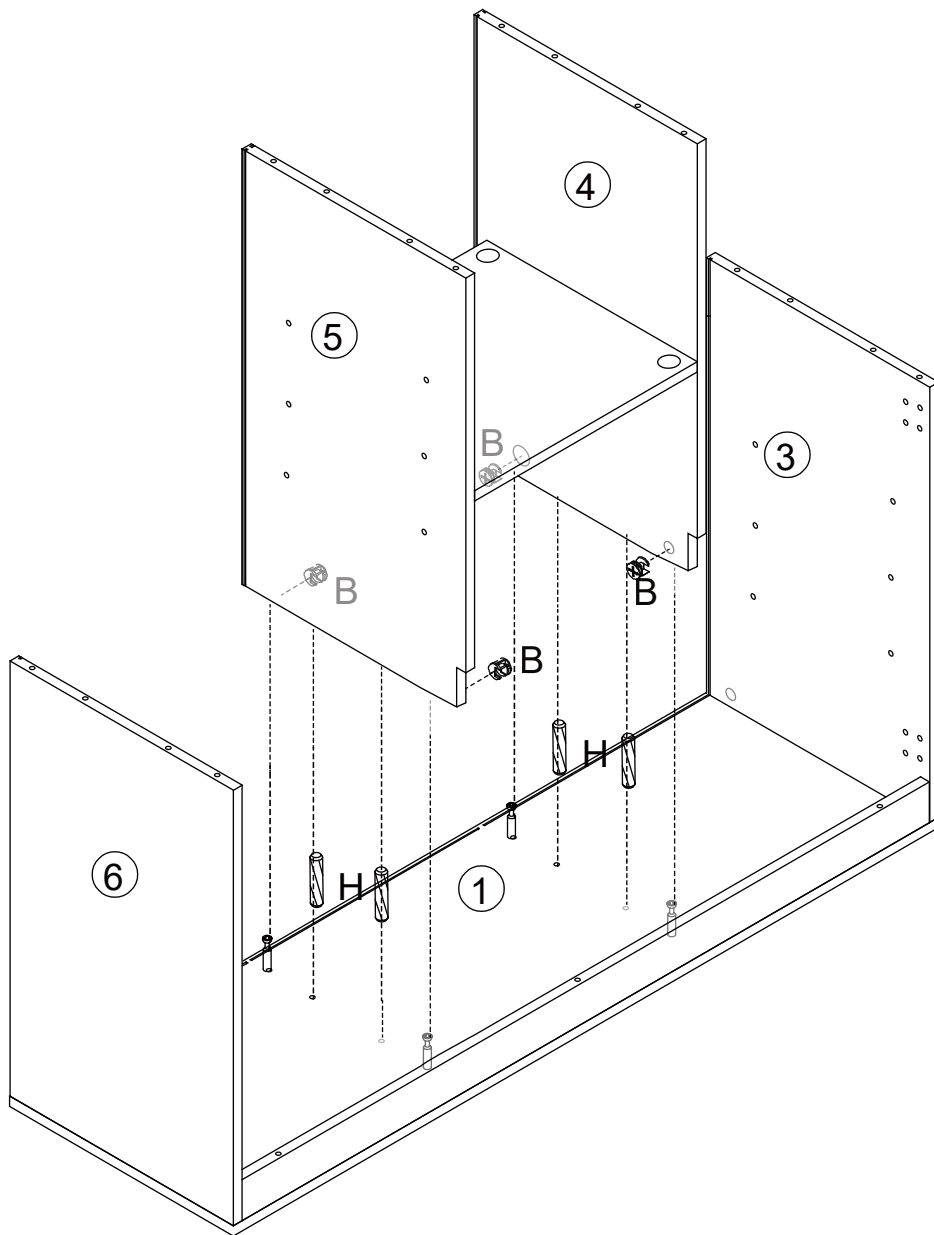
STEP 4

B	x 4	H	x 4
			

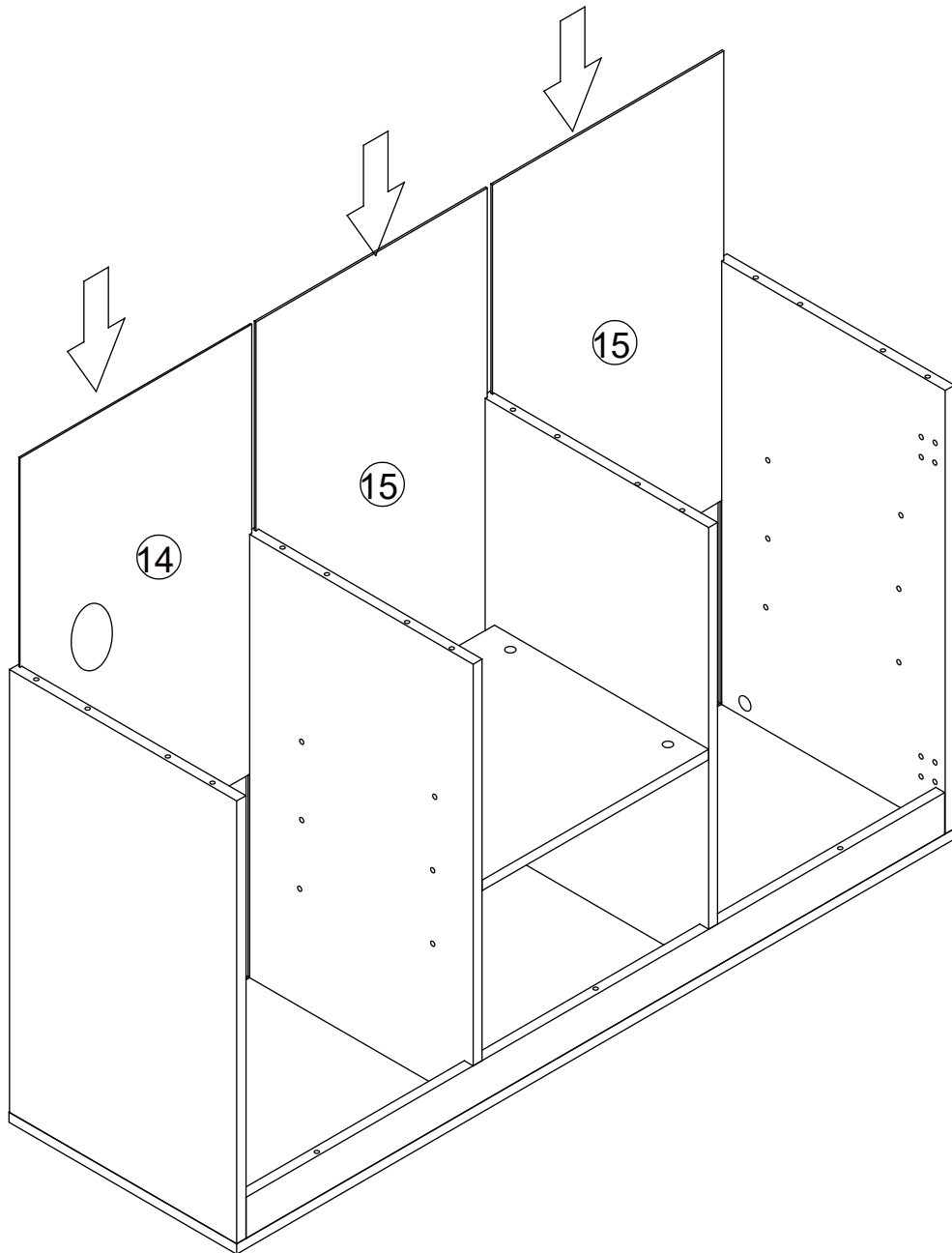


STEP 5

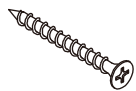
B	x4	H	x4
			

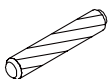


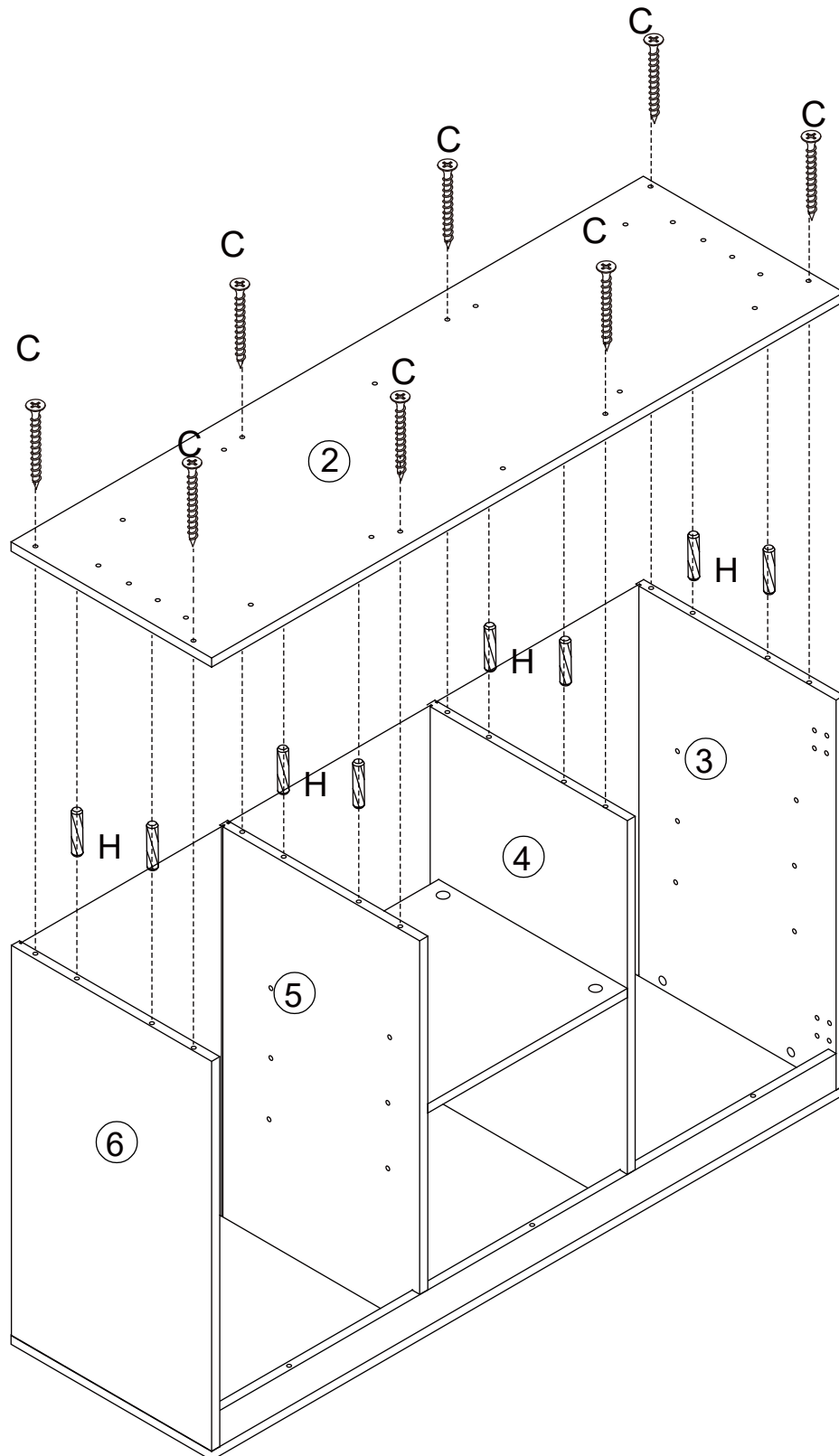
STEP 6



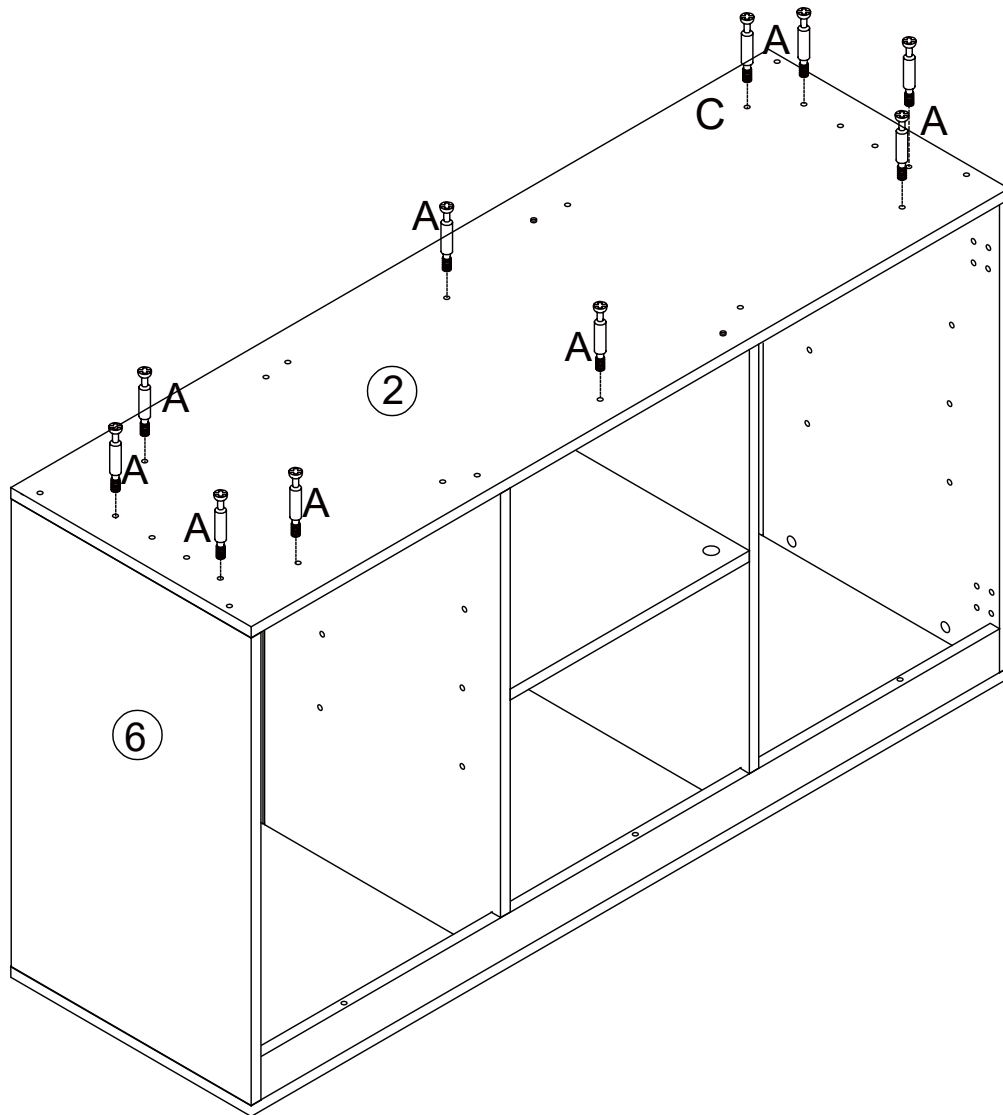
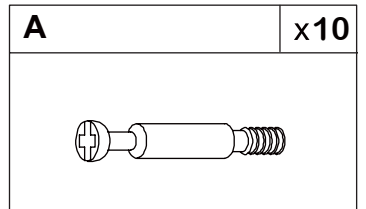
STEP 7

C	x8
	

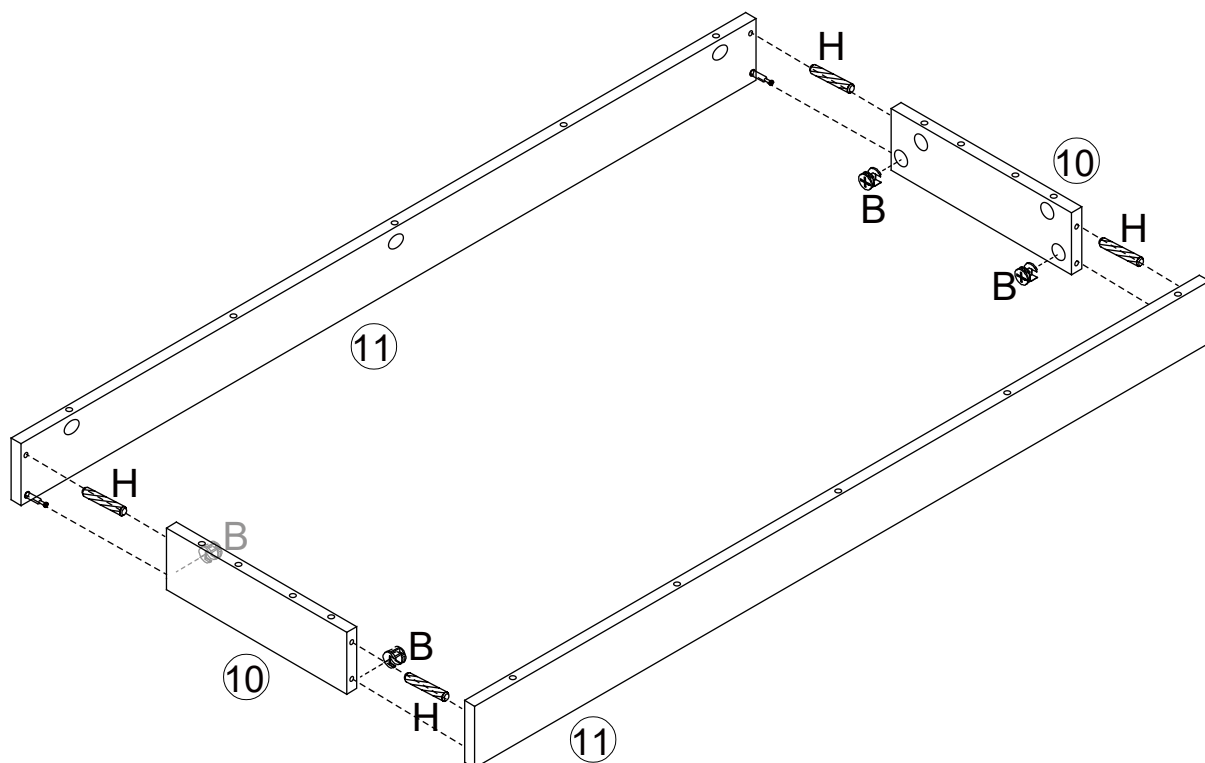
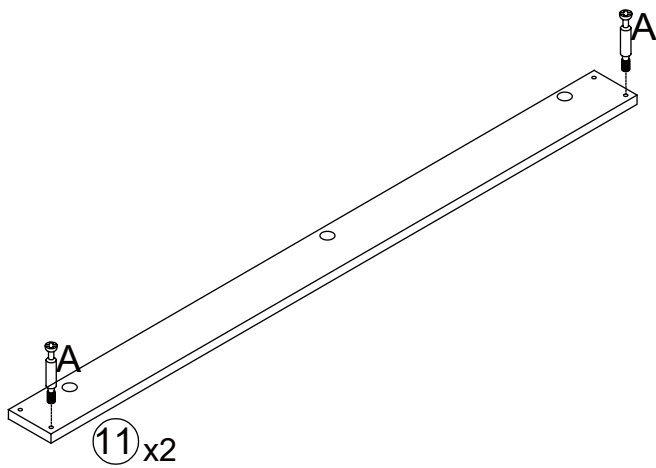
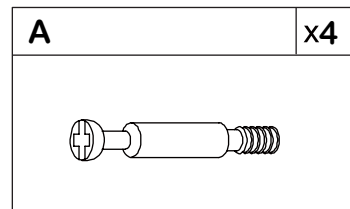
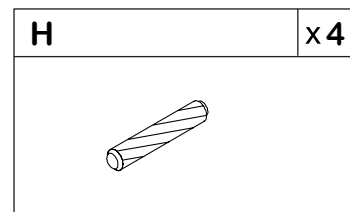
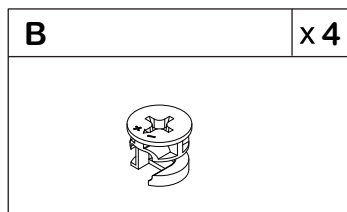
H	x8
	





STEP 8

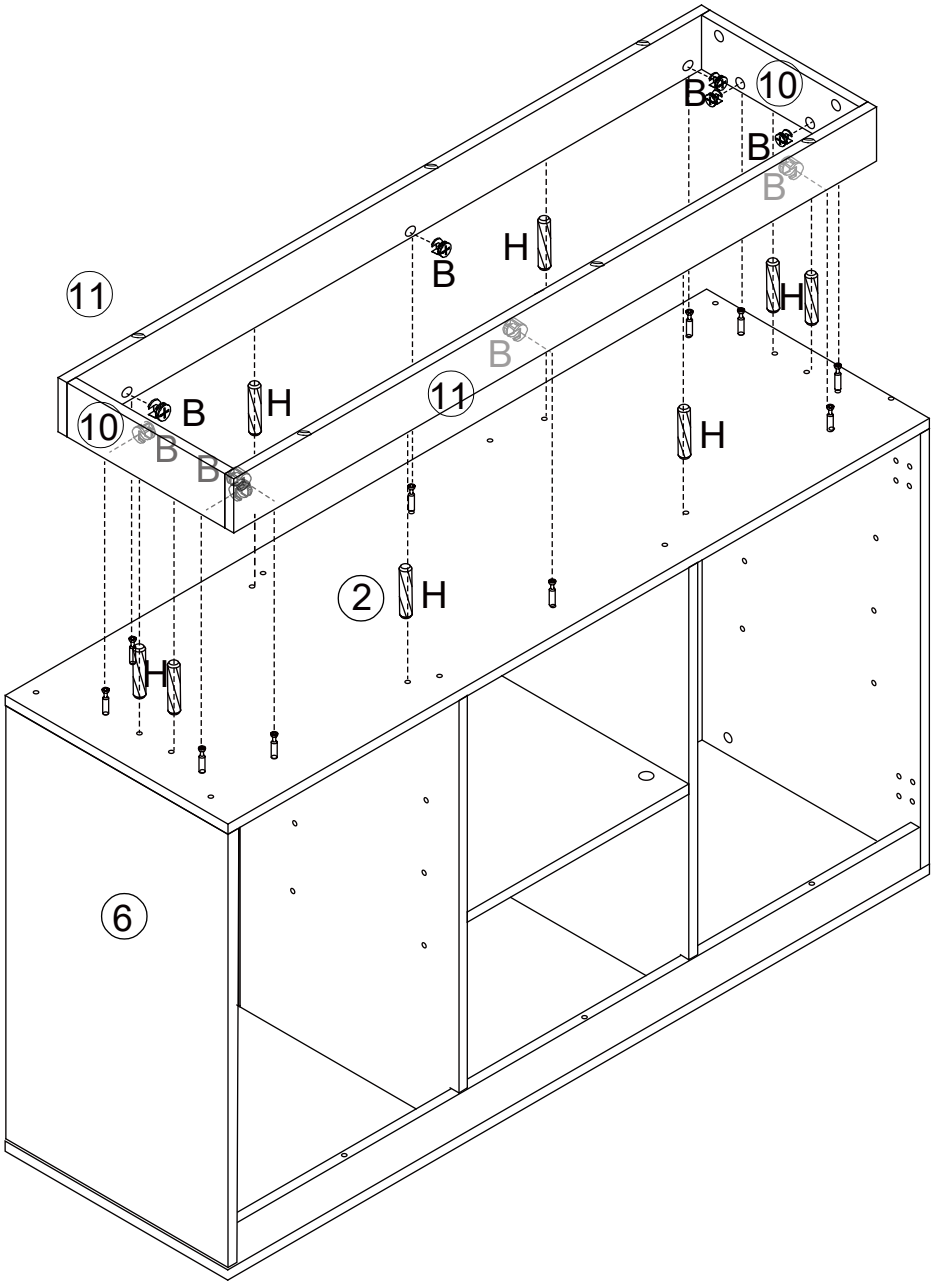


STEP 9




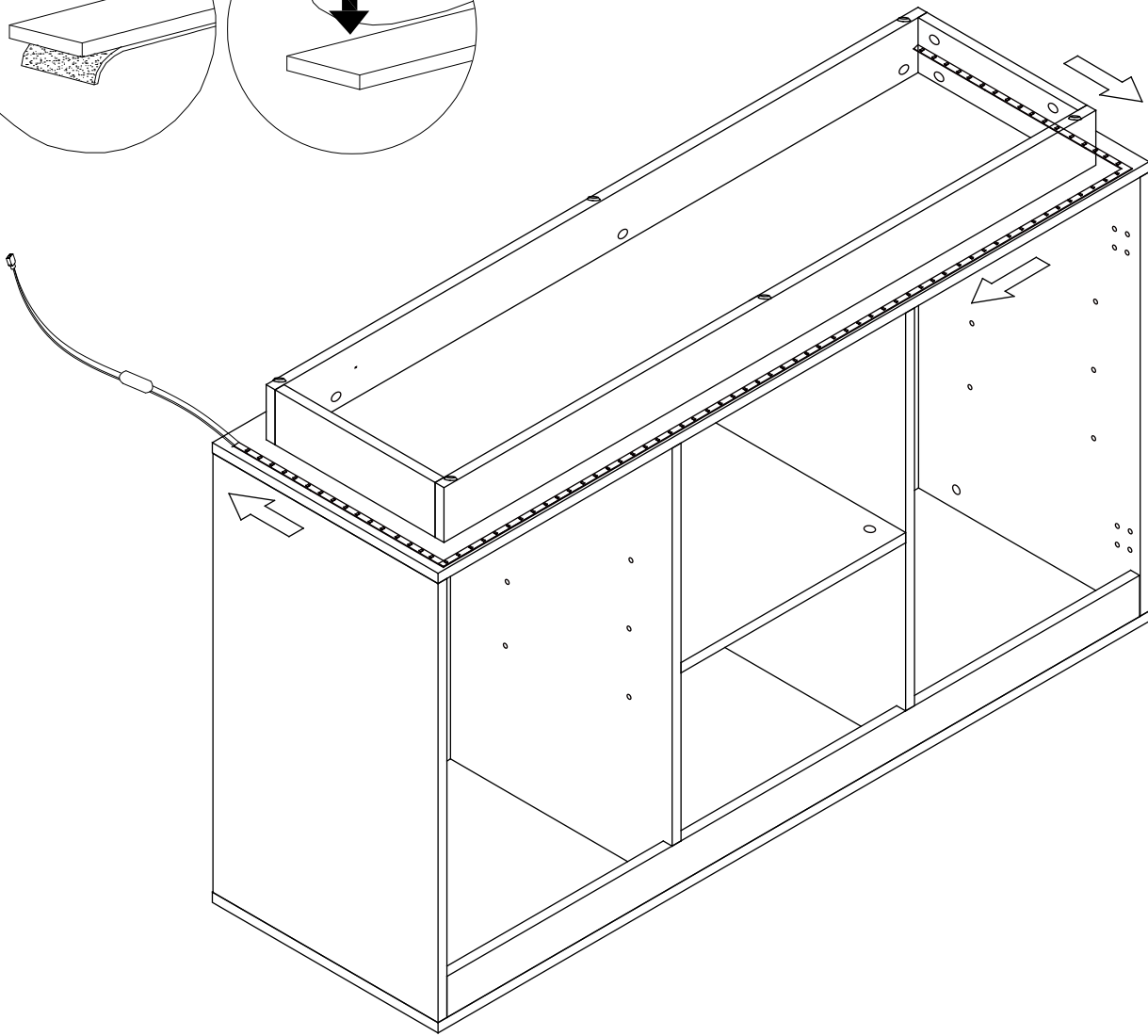
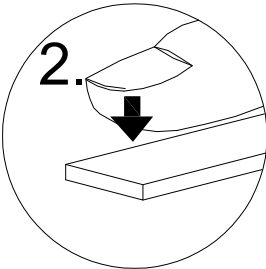
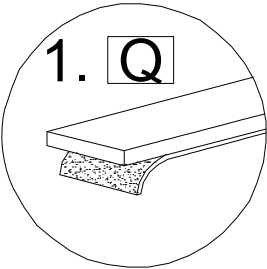
STEP 10

B	x10	H	x8
			





STEP 11


Q	x1
	





STEP 12

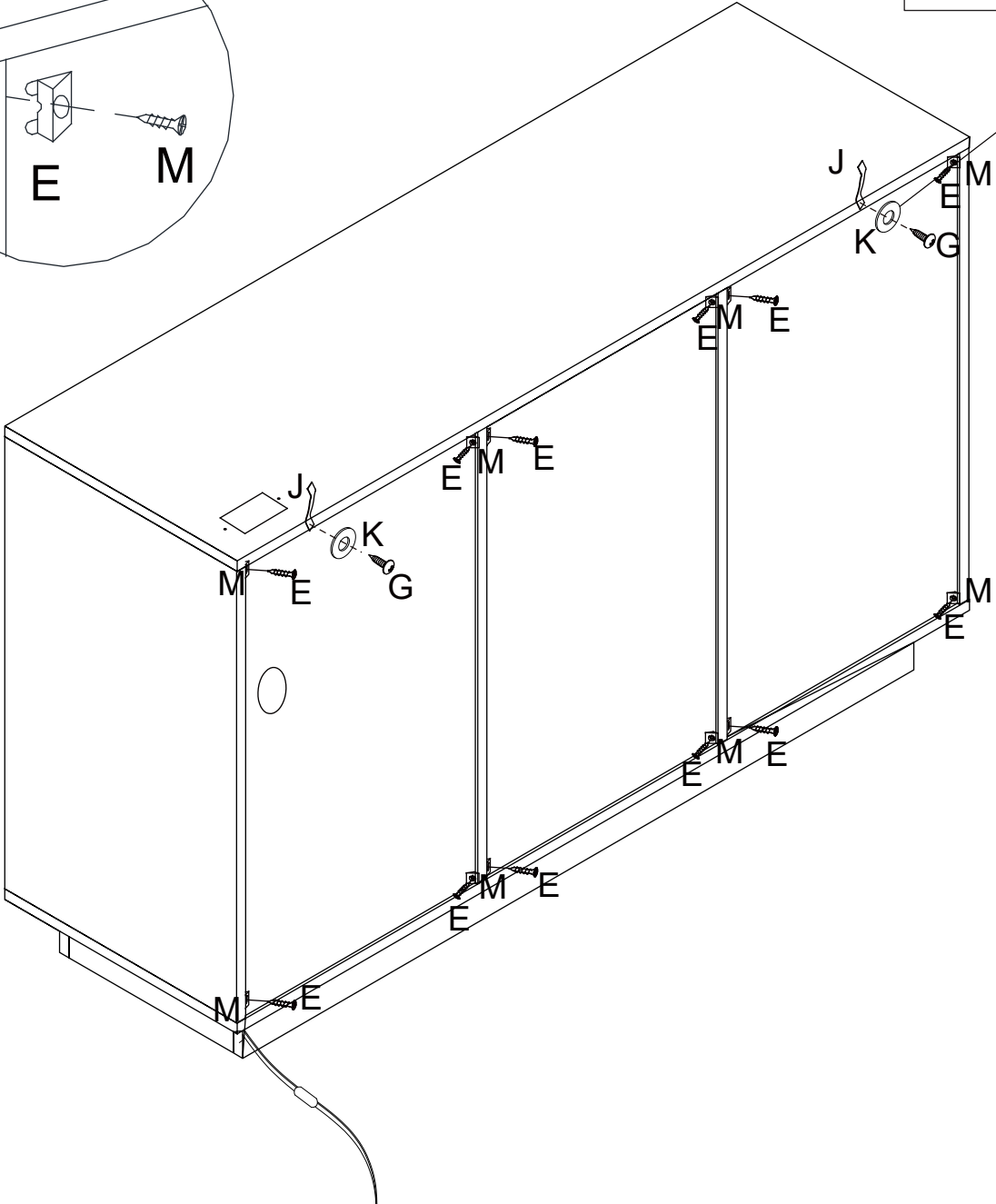
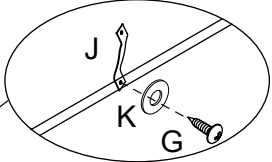
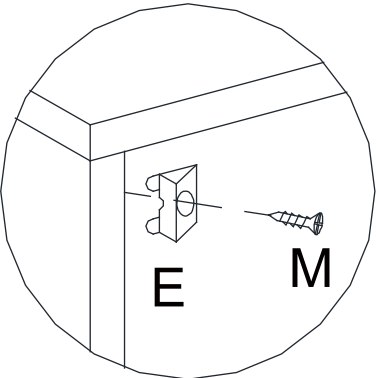
E	x12
	

M	x12
	

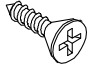
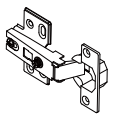
G	x2
	

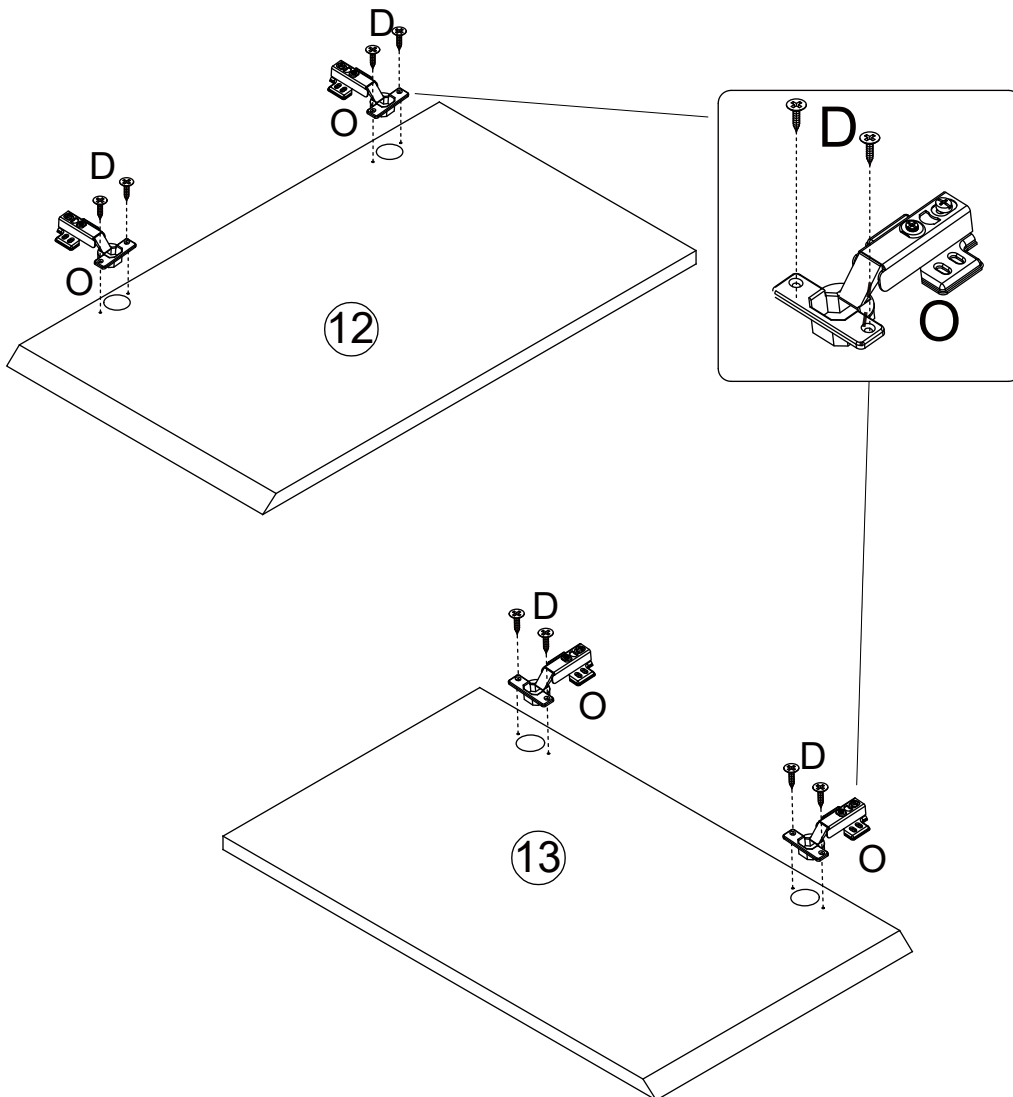
J	x2
	

K	x2
	

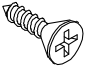


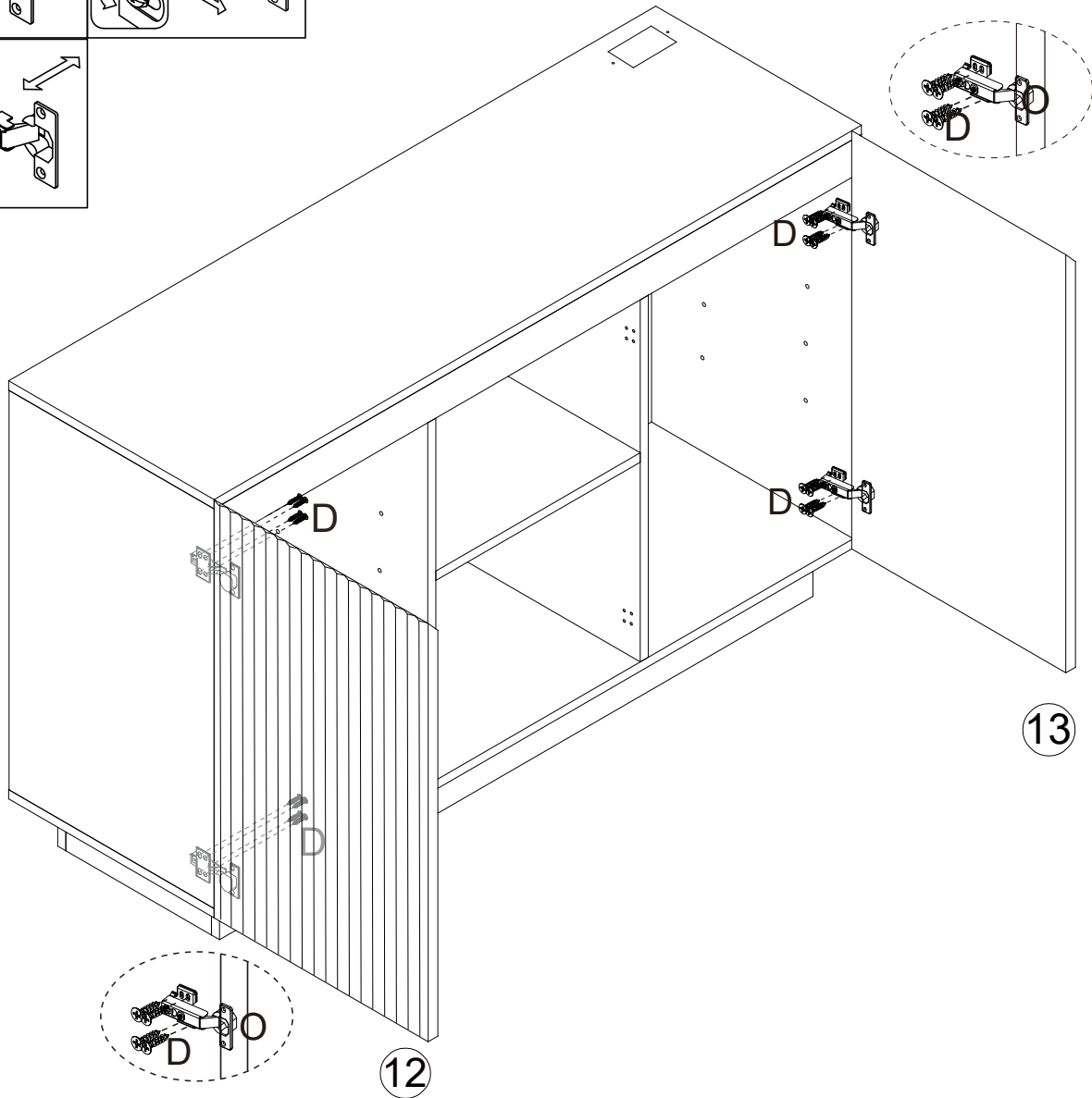
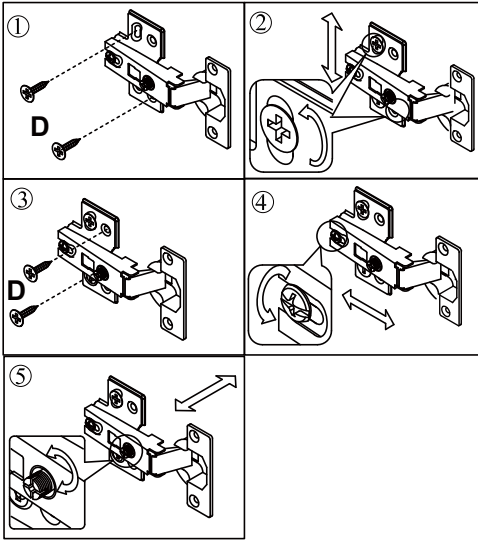
STEP 13

D	x8	O	x4
			

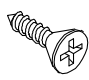
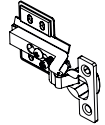


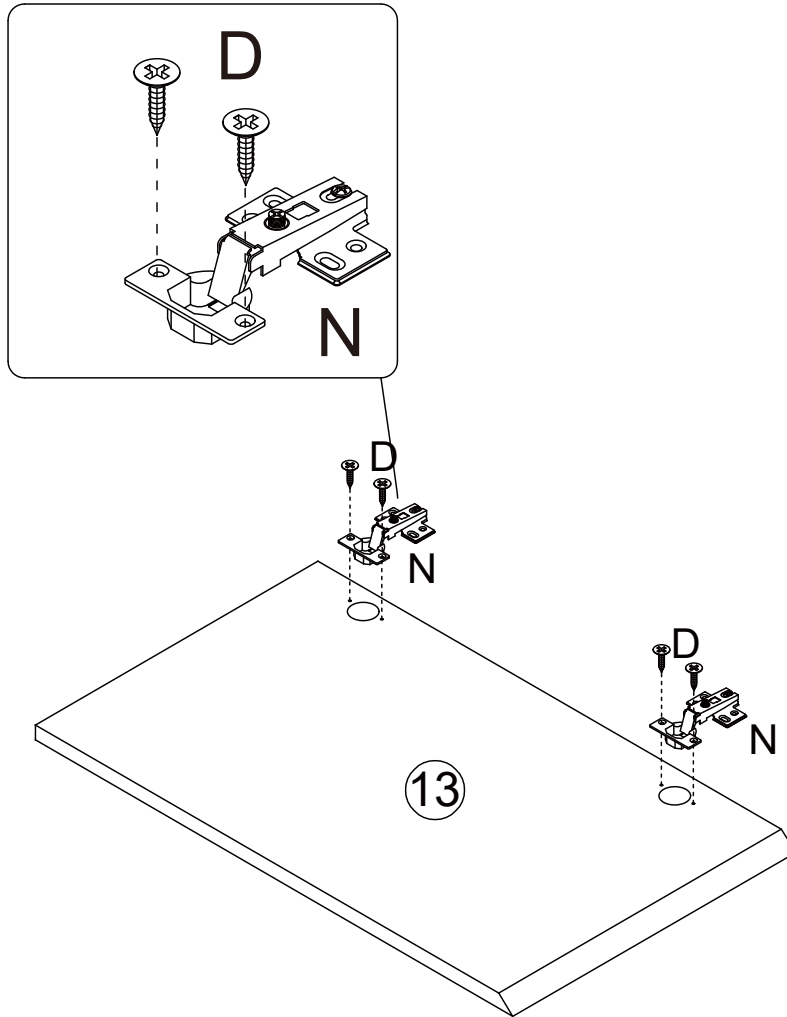
STEP 14

D	x16
	




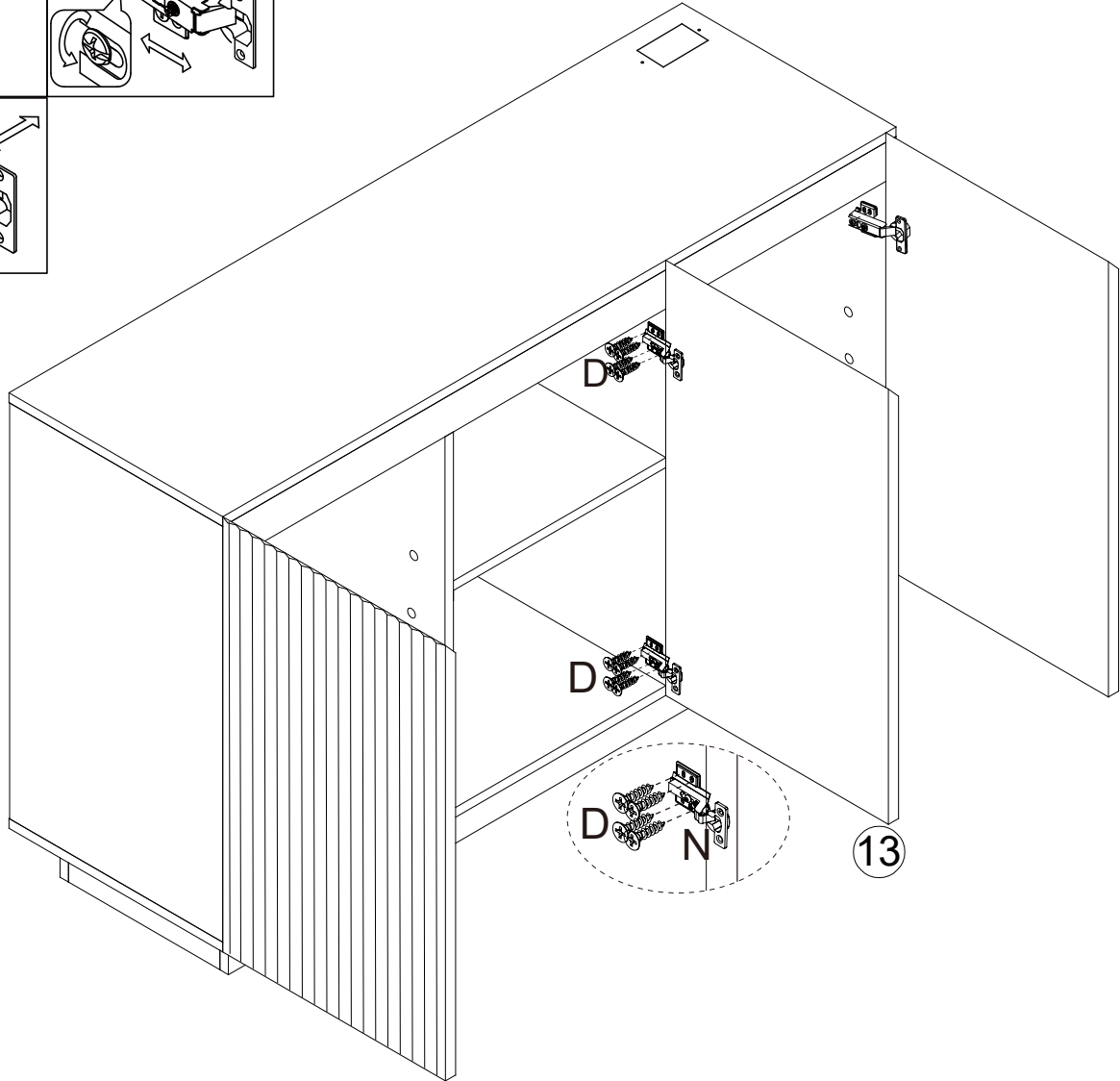
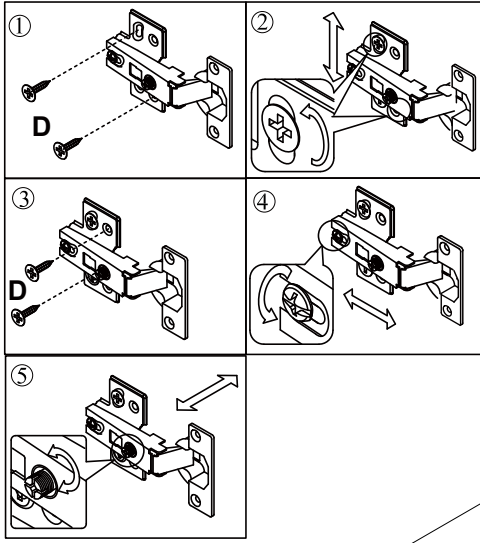
STEP 15

D	x4	N	x2
			

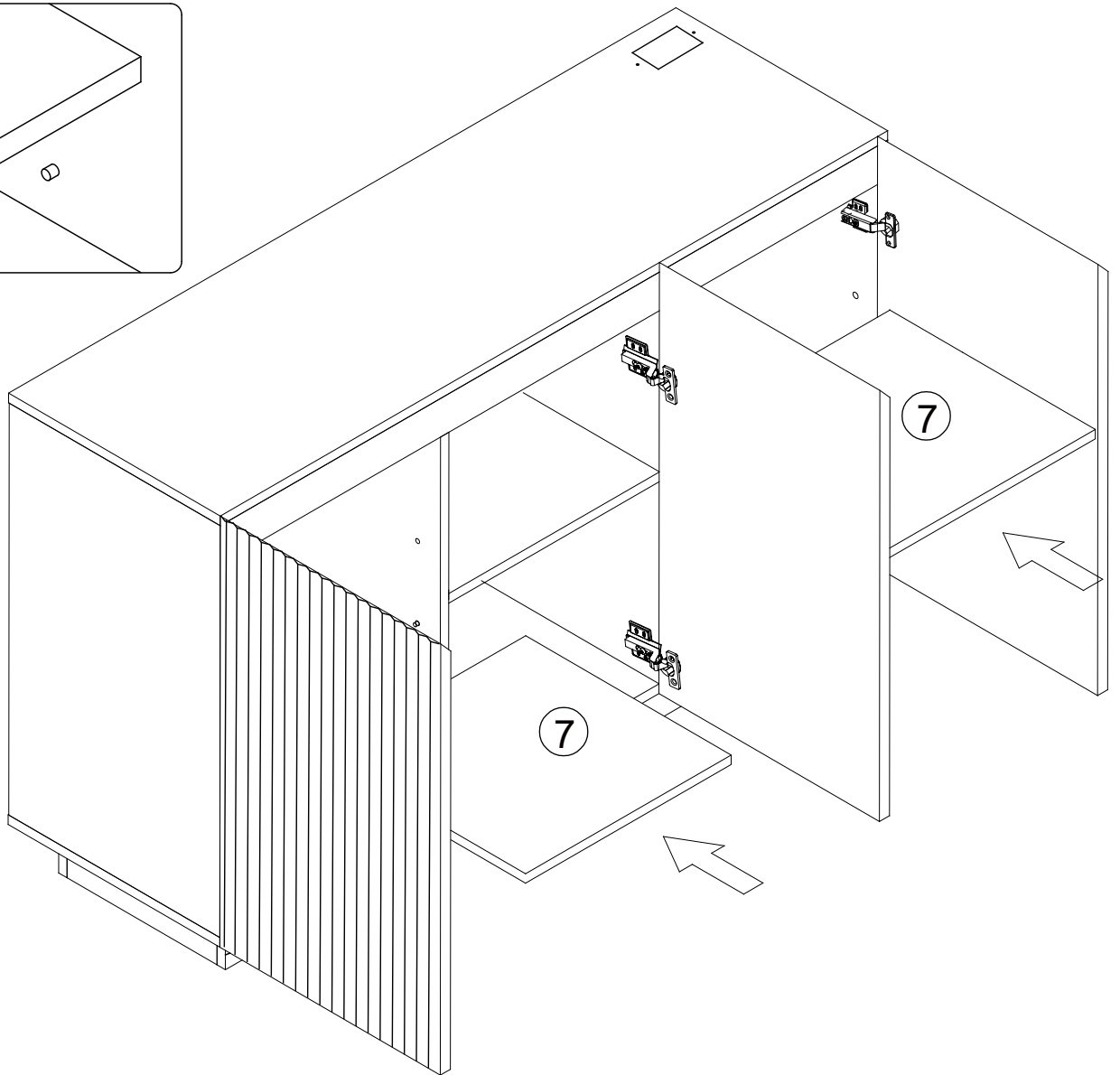
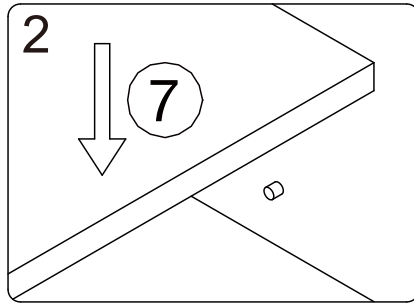
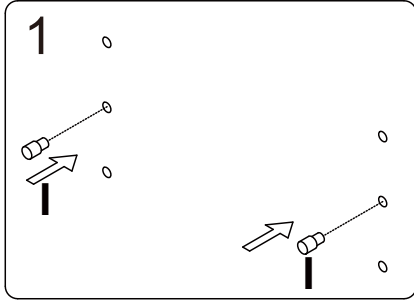
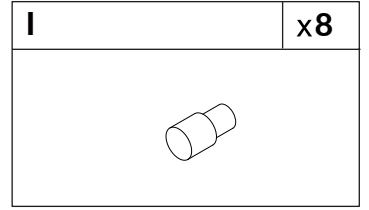


STEP 16

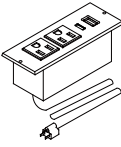
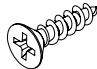
D	x8
	

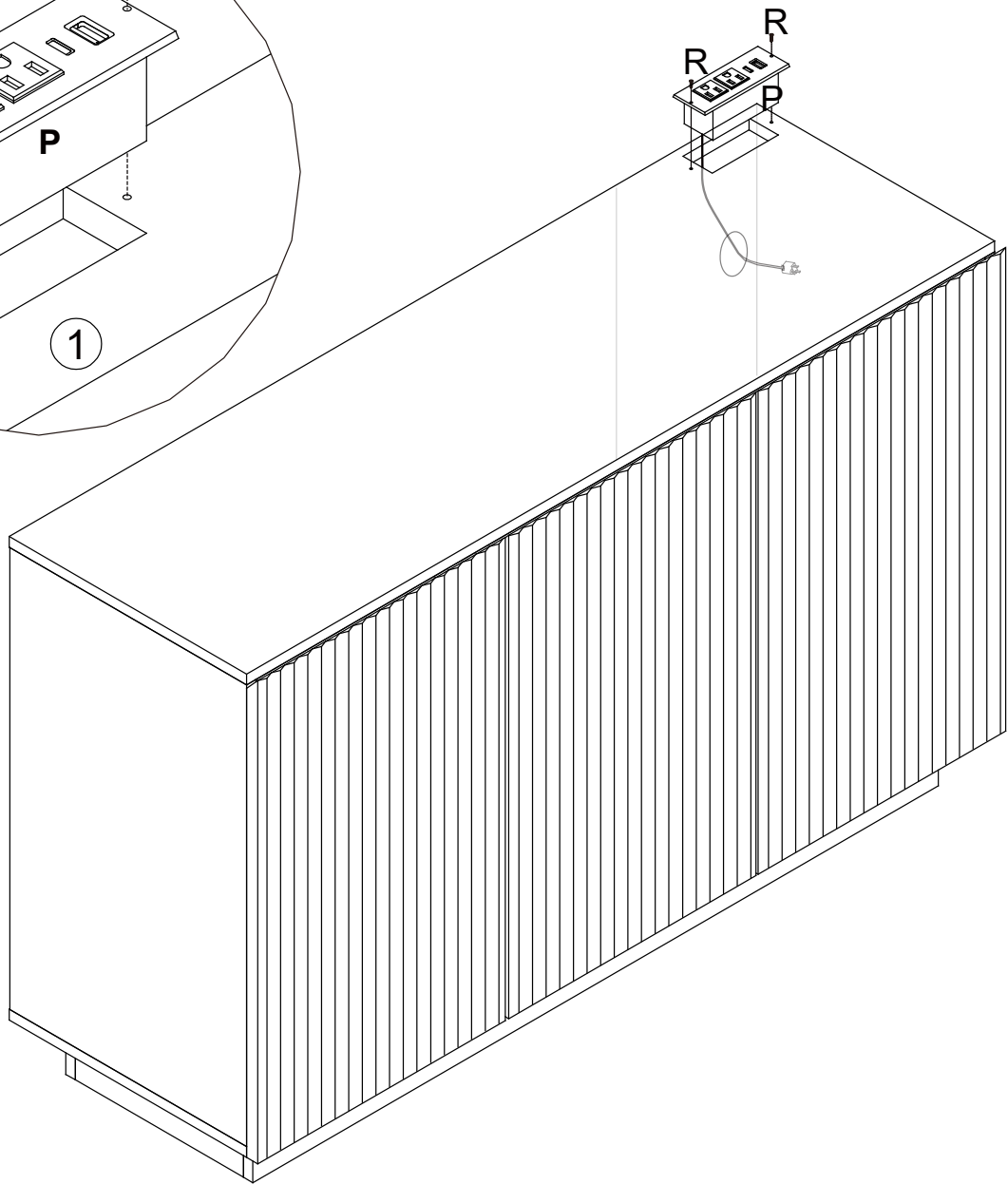
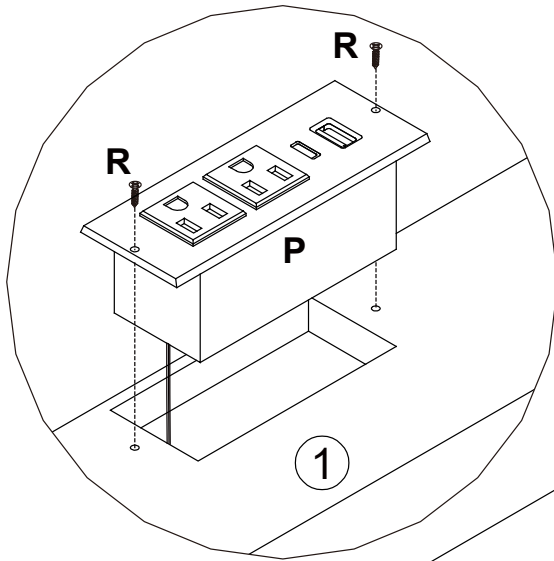


STEP 17





STEP 18


P	x1	R	x2
			

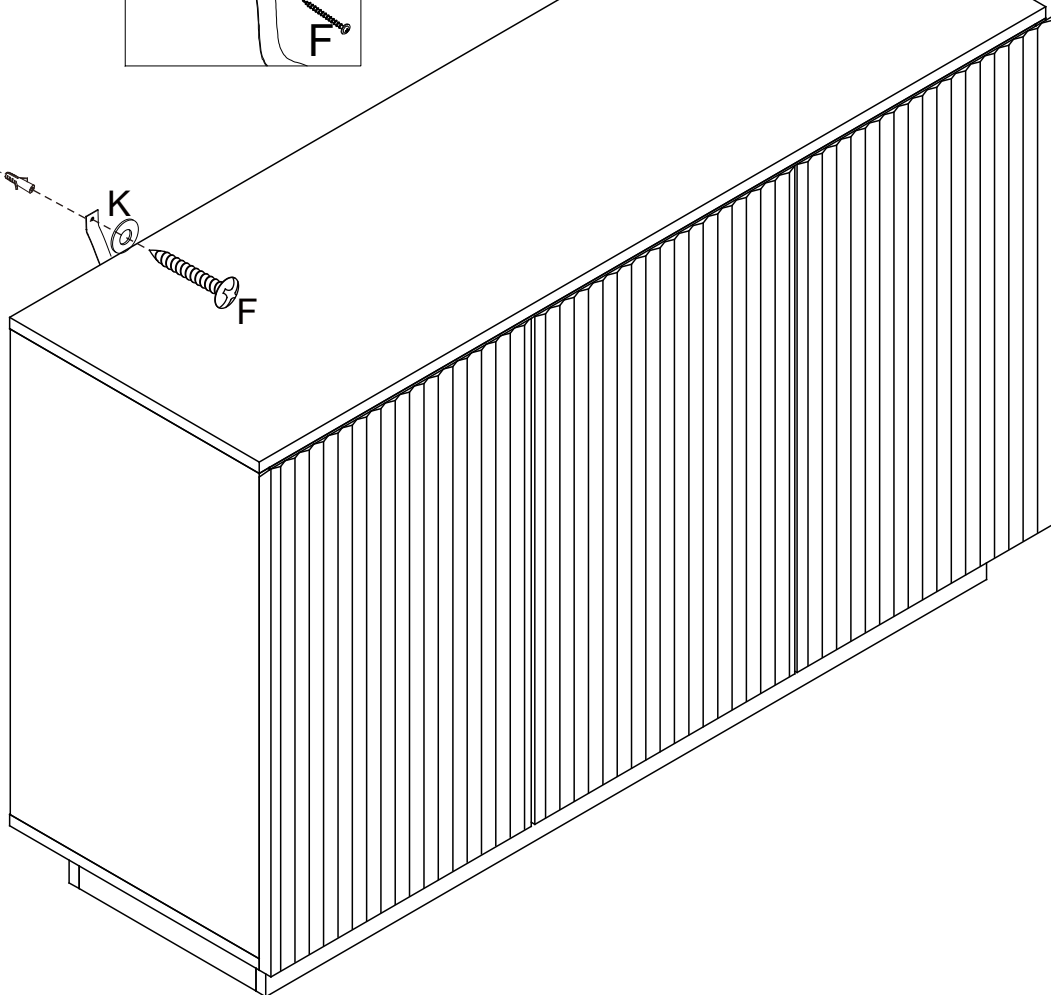
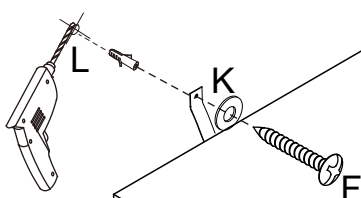
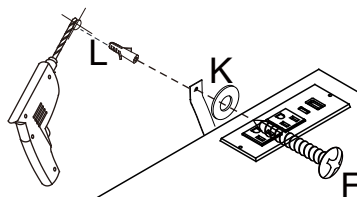
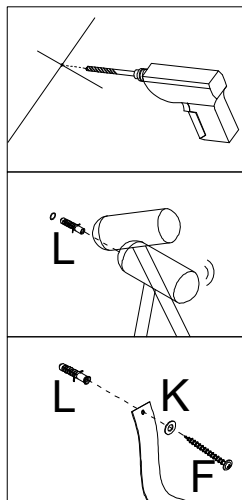


STEP 19

F	x2
	

L	x2
	

K	x2
	



Proper Use

- DO NOT** use for commercial purposes
- DO NOT** use as a step stool or stand on table
- DO NOT** put hot serving liquid directly on the table top
- DO NOT** leave spilled liquid on the table top
- DO NOT** use table if damaged
- DO NOT** exceed weight limit
- DO NOT** make temporary repairs
- DO NOT** use outdoor

Dear Customer:

Thank you for purchasing our product,we wish you satisfy our service,if you have any further questions or any quality issues,please show the belows number and don't hesitate to contact our Customer Service People.