

READ INSTRUCTIONS CAREFULLY FOR SAFE INSTALLATION AND FAN OPERATION. IF UNCERTAIN, CONSULT A QUALIFIED ELECTRICIAN.

THANK YOU FOR YOUR PURCHASE

Thank you for purchasing a Carro Home product. To ensure correct function and safety, please read and follow all the instructions before using the product.

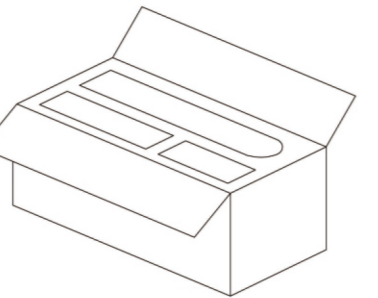
SAFETY GUIDELINES:

- To avoid possible electric shock, turn off the electricity at the main fuse box or circuit panel before you begin the fan installation, servicing the fan or installing any accessories.
- Read all instructions and safety guidelines carefully before installing your fan and follow all the instructions.
- Make sure all electrical connections comply with the local codes or ordinances and the National Electrical Code. If you are unfamiliar with electric wiring, please consult a qualified and licensed electrician.
- Make sure you have a location selected for your fan that allow clear space for the blades to rotate, and at least seven (7) feet of clearance between the floor and the fan blade tips. The fan should be mounted at least thirty (30) inches from walls and/or other upright structures.
- WARNING:**The outlet box and ceiling support joist used must be securely mounted, and capable of supporting at least 100 pounds. To reduce the risk of fire, electric shock or personal injury, mount to the outlet box marked acceptable for fan supported and use mounting screws provided with the outlet box. The box must be supported directly by the building structure.
- WARNING:** To reduce the risk of fire, electric shock or personal injury, mount to outlet box marked "acceptable for fan support" and use mounting screws provided with the outlet box. Most outlet boxes commonly used for the support of lighting fixtures are not acceptable for fan support and may need to be replaced. Consult a qualified electrician if in doubt.
- Switches must be ETL, general use switches. Refer to the instruction packaged with the switches for proper assembly.
- After installation is complete, check that all connections are firmly secured.
- After making electrical connections, spliced conductors should be turned upward and pushed up carefully into outlet box. The wires should be placed apart with the grounded conductor and the equipment-grounding conductor on opposite side of the outlet box.
- WARNING:**To reduce the risk of electrical shock and fire, do not use this fan with any solid-state fan speed control device, or rheostat.
- Do not separate the reverse switch until the fan has come to a complete stop.
- Do not insert anything into the fan blades while they are rotating.
- WARNING:** To reduce the risk of personal injury, do not bend the blade brackets (also referred to as "flanges") during assembly or after installation. Do not insert objects in the path of the blades.
- To avoid personal injury or damage to the fan and other items, be cautious when working around or cleaning the fan.
- Do not use water or detergent when cleaning the fan or fan blades. A dry dust cloth or lightly dampened cloth will be suitable for most cleaning.

NOTE: The important safety precautions and instructions on the manual are not meant to cover all possible conditions and situations that may occur. It is understood that common sense and caution are necessary factors during the installation and operation of the fan.
NOTE: This product is not intended for use by persons (including children) with reduced physical, sensory or mental capabilities that are different or impaired, or lack of experience and/or knowledge, unless such persons are supervised and/or trained to operate the appliance by a person responsible for their safety.
NOTE: Children should be supervised to ensure that they do not use appliances as a toy.
NOTE: You must install a switch or circuit breaker that disconnects all power poles of at least 3 mm between each pole.

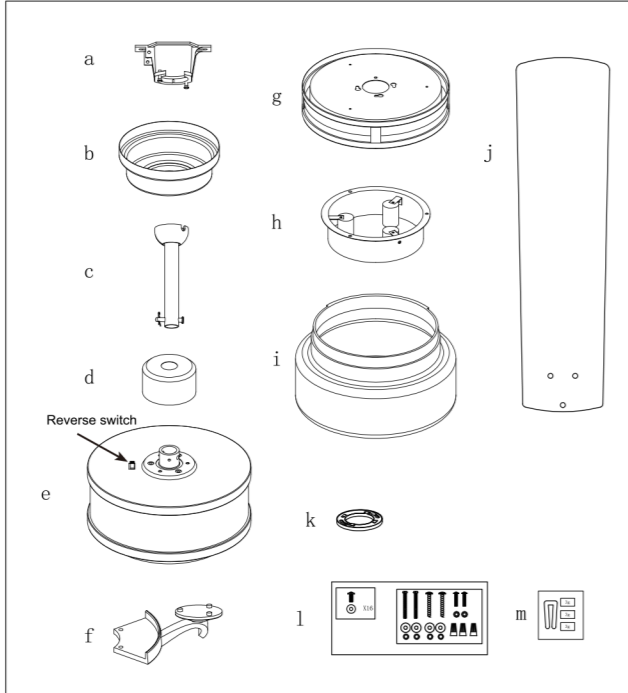
1. Unpacking your fan

Carefully open the packaging. Remove items from Styrofoam inserts. Remove motor housing and place on carpet or styrofoam to avoid damage to finish. Do not discard fan carton or styrofoam inserts should this fan need to be returned for repairs. Check against parts inventory that all parts have been included.

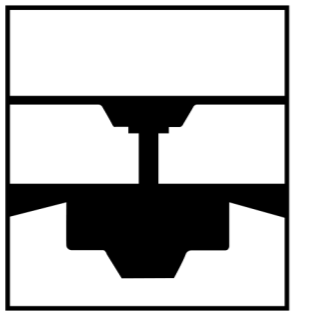


2. Parts inventory.

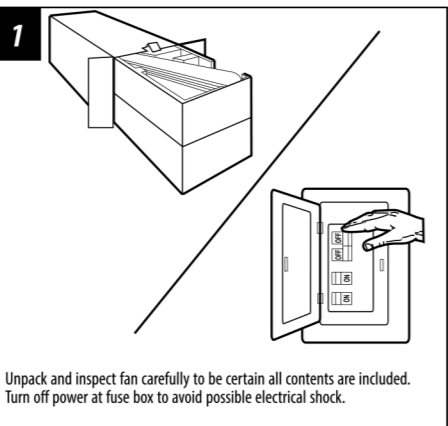
- a. Hanging bracket
- b. Canopy
- c. Downrod assembly
- d. Coupler cover
- e. Motor assembly
- f. Blade bracket
- g. Connecting plate
- h. Light kit
- i. Glass shade
- j. Blade
- k. Canopy cover ring
- l. Hardware packs
- m. Balance kit



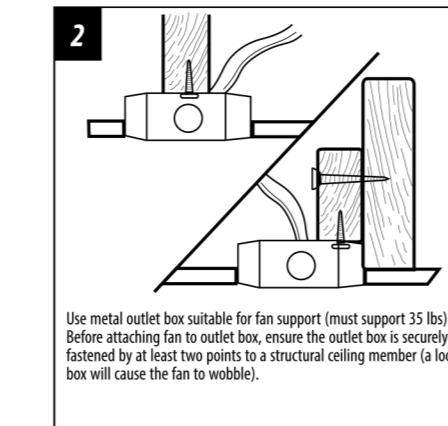
PREPARING FOR INSTALLATION



FEATURES
For normal ceilings
DOWNROD INSTALLATION

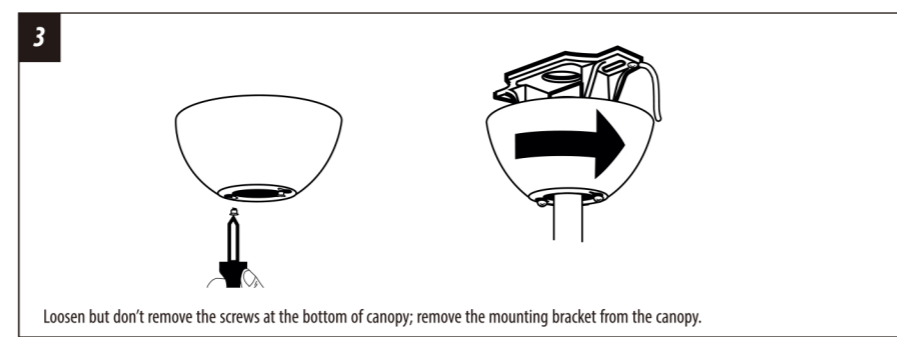


Unpack and inspect fan carefully to be certain all contents are included. Turn off power at fuse box to avoid possible electrical shock.



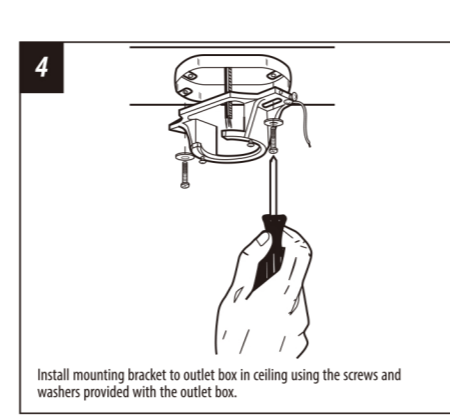
Use metal outlet box suitable for fan support (must support 35 lbs). Before attaching fan to outlet box, ensure the outlet box is securely fastened by at least two points to a structural ceiling member (a loose box will cause the fan to wobble).

MOUNTING BRACKET INSTALLATION



Loosen but don't remove the screws at the bottom of canopy, remove the mounting bracket from the canopy.

MOUNTING BRACKET INSTALLATION



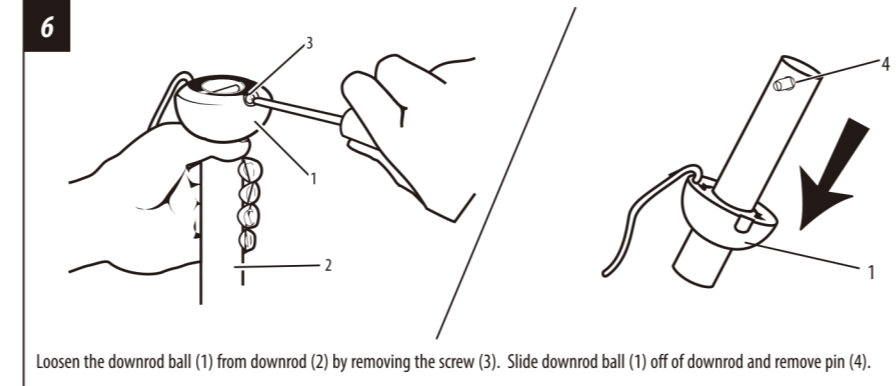
Install mounting bracket to outlet box in ceiling using the screws and washers provided with the outlet box.

5. MOUNTING OPTIONS
Choose a MOUNTING OPTION

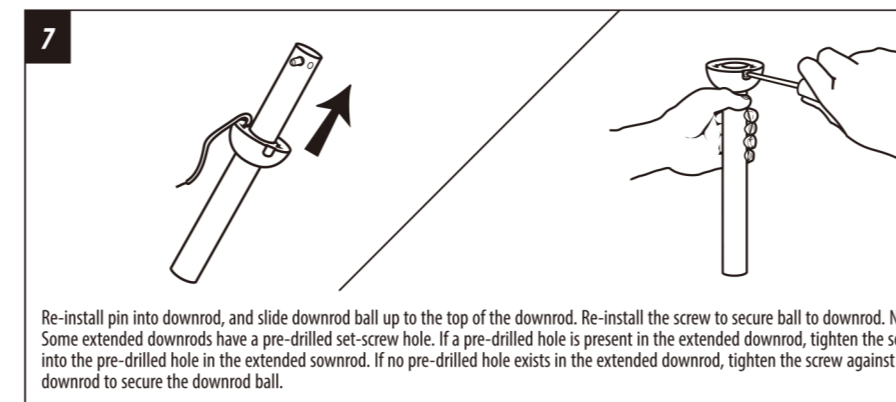
NORMAL DOWNROD OPTION
If installing downrod supplied with fan, proceed to step 8.

EXTENDED DOWNROD OPTION
If installing with longer downrod than supplied with fan, proceed to step 6.

EXTENDED DOWNROD OPTION

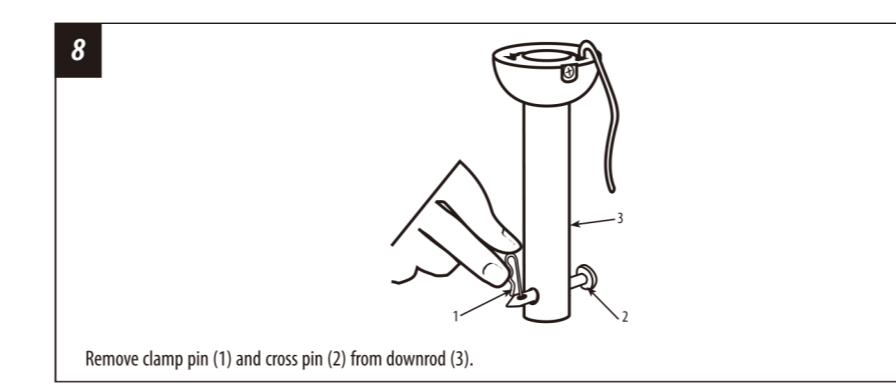


Loosen the downrod ball (1) from downrod (2) by removing the screw (3). Slide downrod ball (1) off of downrod and remove pin (4).



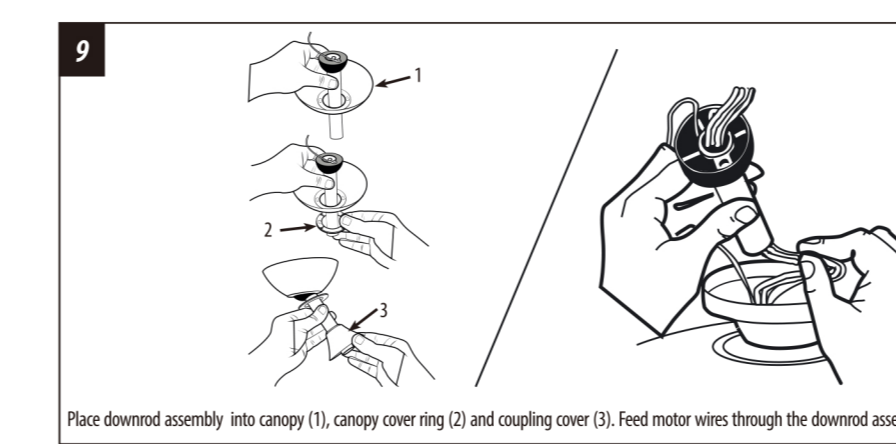
Re-install pin into downrod, and slide downrod ball up to the top of the downrod. Re-install the screw to secure ball to downrod. Note: Some extended downrods have a pre-drilled set-screw hole. If a pre-drilled hole is present in the extended downrod, tighten the set screw into the pre-drilled hole in the extended downrod. If no pre-drilled hole exists in the extended downrod, tighten the screw against the downrod to secure the downrod ball.

DOWNROD PREPARATION

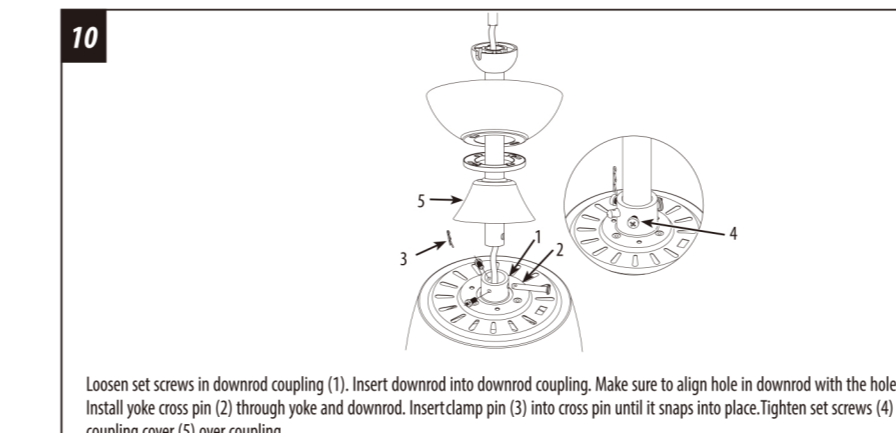


Remove clamp pin (1) and cross pin (2) from downrod (3).

NORMAL DOWNROD OPTION



Place downrod assembly into canopy (1), canopy cover ring (2) and coupling cover (3). Feed motor wires through the downrod assembly.

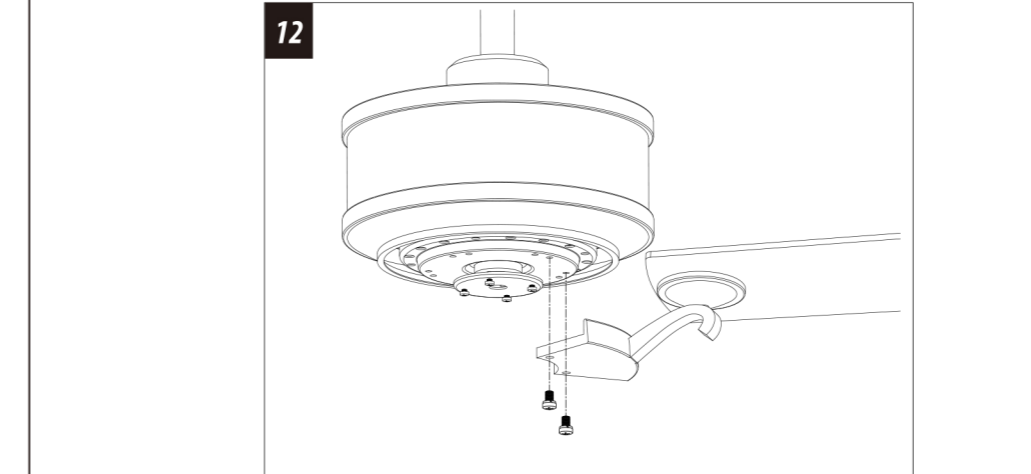
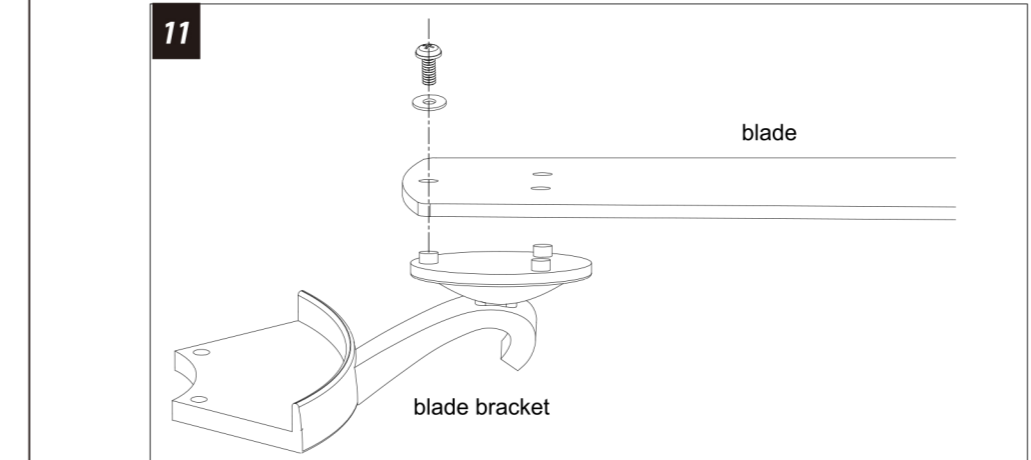


Loosen set screws in downrod coupling (1). Insert downrod into downrod coupling. Make sure to align hole in downrod with the hole in coupling. Install yoke cross pin (2) through yoke and downrod. Insert clamp pin (3) into cross pin until it snaps into place. Tighten set screws (4) in coupling. Slide coupling cover (5) over coupling.

Installing the Fan Blades

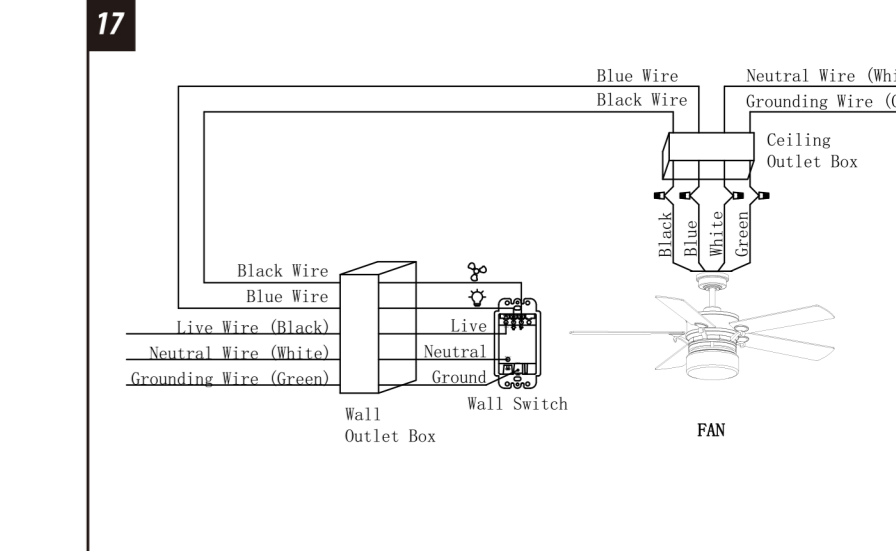
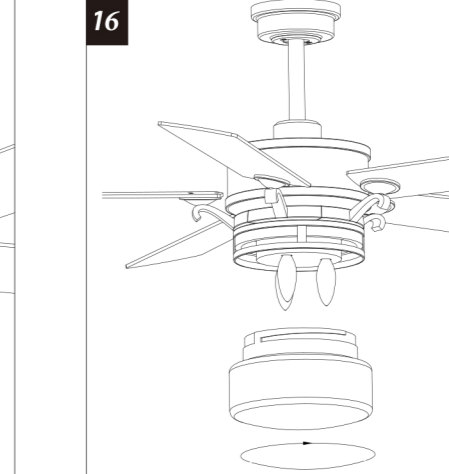
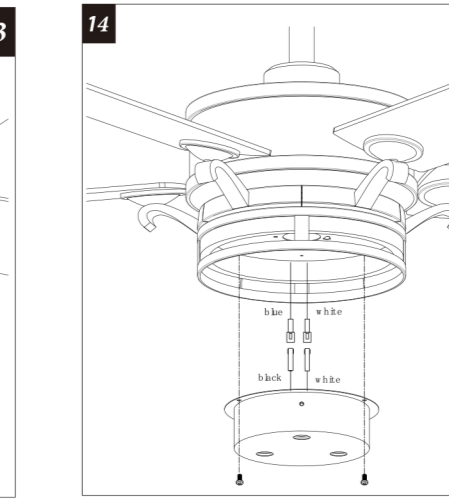
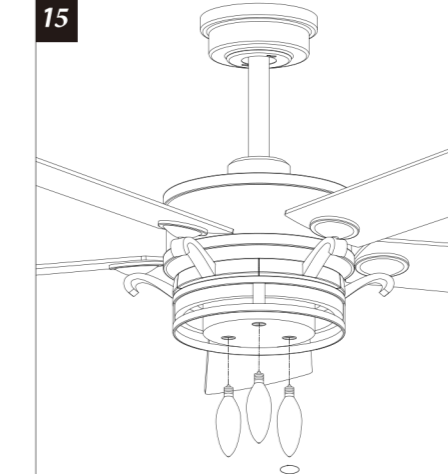
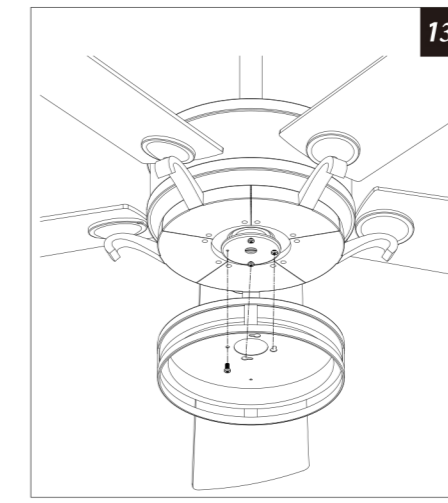
Step 1. Attach the blade to the blade bracket using the screws and washers as shown in Fig 11. Repeat this step for the other two remaining blade brackets. Tighten each screw, make sure the blade is straight.

Step 2. Attach the blade bracket with blade to the motor using two screws provided. See Fig 12.



Installing the light kit

- Loosen 3 screws and remove 1 screw from the connecting plate before installing the light kit. (Fig.13)
- Remove 3 screws from the light kit and connect the single pin wire from the light kit to the motor. (Fig.14)
- blue to black
- white to white
- Locate the bulbs (not included) into the E12 lamp holders. (Fig.15)
- Locate slots on glass shade and align with dimples on glass fitter plate. Slide onto glass fitter plate and it in a clockwise direction until it locks into place. (Fig.16)



Make wire connections using wire nuts:

Fan wire connection:

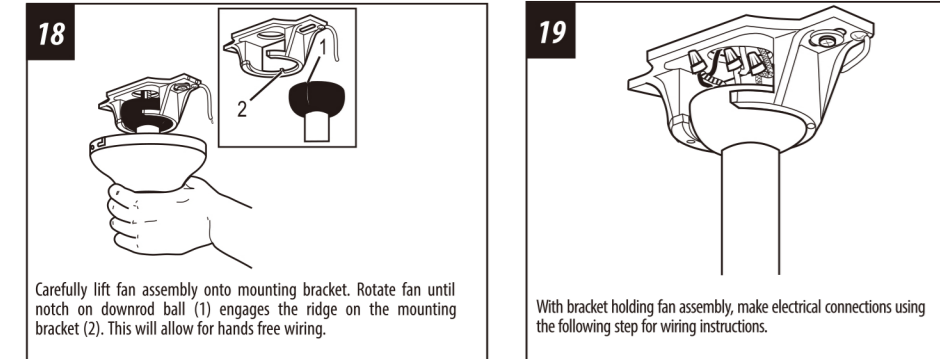
- Connect blue wire from fan to blue wire from ceiling outlet box.
- Connect black wire from fan to black wire from ceiling outlet box.
- Connect white wire from fan to white wire (neutral) from ceiling outlet box.
- Connect green ground wires from downrod and bracket to ground wire (green or bare copper) from ceiling outlet box.

Wall switch connection:

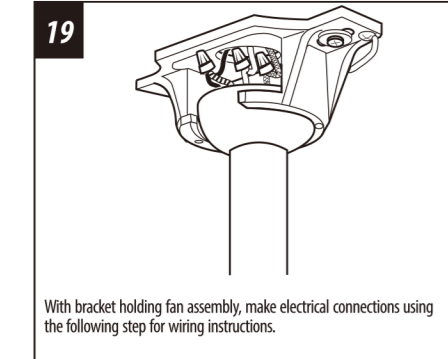
- Take out the white wire and wire nut from the screw bag. Stick this white wire to the switch by the provided screw. Then connect tightly this white wire to the neutral wire from the wall by wire nut. (If the length of neutral wire from the wall is long enough, connect it to the switch directly.)
- Connect tightly the remaining wires from the wall to the switch by the provided screws as per above wiring diagram.
Note: If the wiring in your wall outlet box does not resemble any of these configurations, consult a qualified electrician.

WARNING: Be sure no bare wire or wire strands are visible after making connection.

MOUNTING



Carefully lift fan assembly onto mounting bracket. Rotate fan until notch on downrod ball (1) engages the ridge on the mounting bracket (2). This will allow for hands free wiring.

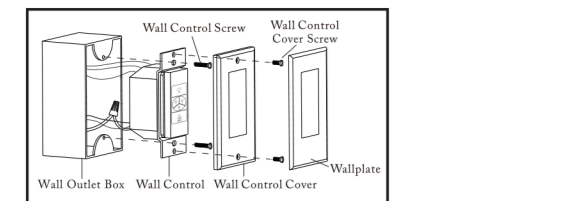


With bracket holding fan assembly, make electrical connections using the following step for wiring instructions.

20 WALL CONTROL INSTRUCTIONS

WALL CONTROL INSTALLATION:

Carefully tuck the wire connections from wall control inside wall outlet box. Secure the wall control with two wall control screws provided. Attach the wall control cover over the wall control and secure with two wall control cover screws provided. Then snap in the wallplate.



USING YOUR CEILING FAN:

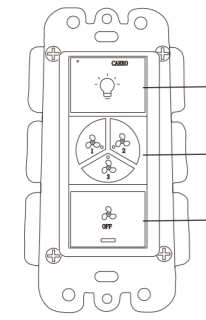
WALL CONTROL

Turn on the power and check the operation of the fan

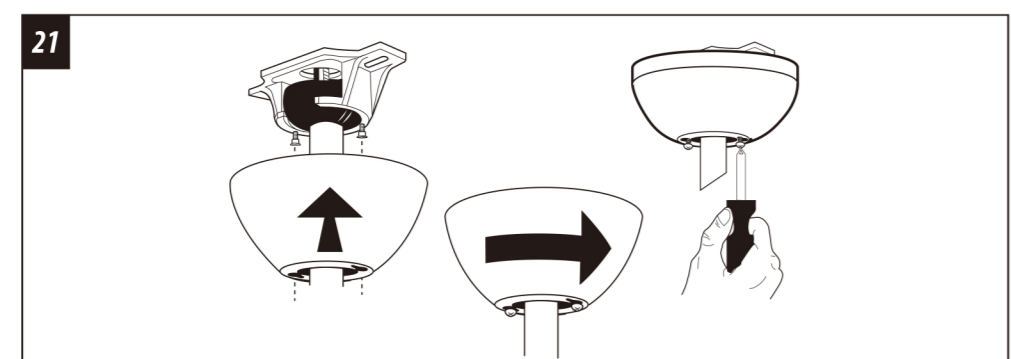
- 1- Lamp Switch
- 2- Speed Control
- 3- Fan Shutdown

Reverse function

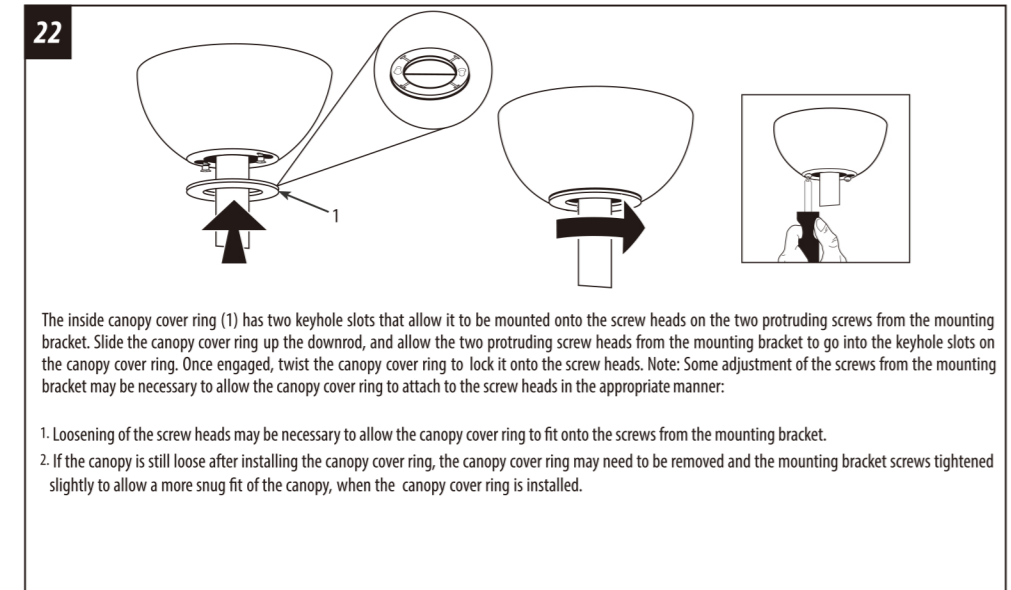
Slide the forward/reverse switch on the switch box to get desired airflow direction.



SECURE TO CEILING



Raise the canopy up and align the keyholes on the bottom of the canopy with the 2 screws on the bottom of mounting bracket. Rotate the canopy until both screws from the mounting bracket drop into the slot recesses. Tighten screws securely.



The inside canopy cover ring (1) has two keyhole slots that allow it to be mounted onto the screw heads on the two protruding screws from the mounting bracket. Slide the canopy cover ring up the downrod, and allow the two protruding screw heads from the mounting bracket to go into the keyhole slots on the canopy cover ring. Once engaged, twist the canopy cover ring to lock it onto the screw heads. Note: Some adjustment of the screws from the mounting bracket may be necessary to allow the canopy cover ring to attach to the screw heads in the appropriate manner.

1. Loosening of the screw heads may be necessary to allow the canopy cover ring to fit onto the screws from the mounting bracket.
2. If the canopy is still loose after installing the canopy cover ring, the canopy cover ring may need to be removed and the mounting bracket screws tightened slightly to allow a more snug fit of the canopy, when the canopy cover ring is installed.

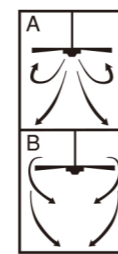
OPERATION AND MAINTENANCE

Operation

Turn on the power and check operation of fan.
Speed settings for warm or cool weather depend on factors such as room size, ceiling height, number of fans and so on.
The slide switch controls direction, forward or reverse.
Warm weather/down position - (Forward) Fan turns counterclockwise direction. A downward air flow creates a cooling effect as shown in illustration A. This allows you to set your air conditioner on a higher temperature setting without affecting your comfort.

Cool weather/up position - (Reverse) Fan turns clockwise direction. An upward airflow moves warm air off the ceiling area as shown in illustration B. This allows you to set your heating unit on a lower setting without affecting your comfort.

NOTE: Turn off and wait for fan to stop before changing the setting of the forward/reverse slide switch.



Maintenance

1. Because of the fan's natural movement, some connections may become loose. Check the support connections, brackets, and blade attachments twice a year. Make sure they are secure.
2. Clean your fan periodically to help maintain its new appearance over the years. Do not use water when cleaning. This could damage the motor, or the wood, or possibly cause electrical shock.
3. Use only a soft brush or lint-free cloth to avoid scratching the finish. The plating is sealed with a lacquer coating to minimize discoloration or tarnishing.
4. There is no need to oil your fan. The motor has permanently lubricated bearings.

APP Control Connection:

1. First download the free Carro Home app from the App Store or Google Play or scan the QR Code as below.
2. Open the Carro Home app to create your account. The account with "Carro Home" can be registered through E-mail or Mobile phone.
3. Connect the device to the Carro Home app (Four ways connection):



① Bluetooth connect (WIFI & Bluetooth on)

- a. Press "+" button into the device list, then a window will pop up to show you some devices can be connected.
- b. Click "Go to add" (If you click "Do not add" in mistake, please see "Do not add" steps).
- c. Choose the device.
- d. Connect to your home WIFI, then back to the app and wait for connecting.

"Do not add" steps:

- a. Select "Electrical"(smart switch) or "Air Circulation"(smart ceiling fan) on the sidebar menu then select "Ceiling Fan Switch" or "Ceiling Fan" and tap next.
- b. Connect to your home WIFI and tap "Next" to wait for connecting.

② Auto Scan (WIFI & Bluetooth off)

- a. Press "+" button into the device list.
- b. Tap "Auto Scan" on the top.
- c. Wait for the device comes out and tap "Next".
- d. Press "+" button to add device.
- e. Connect to your home WIFI.
- f. Wait for connecting.

③ WIFI connect-EZ Mode (WIFI on & Bluetooth off)

- a. Press "+" button to select "Electrical"(smart switch) or "Air Circulation"(smart ceiling fan) on the sidebar menu then select "Ceiling Fan Switch" or "Ceiling Fan" and tap next.
- b. Connect to your home WIFI (Only for 2.4Ghz).
- c. EZ Mode is set as default, just tap "Next" button to wait for the connection to complete.

④ WIFI connect-AP Mode (WIFI on & Bluetooth off)

- a. Smart ceiling fan: Press and hold the WIFI button on the remote for 5 seconds till hear beep into AP Mode.
Smart switch: Press and hold the "OFF" button for 10 seconds till the indicator light blinking slowly to into AP Mode.
- b. Press "+" button to select "Electrical"(smart switch) or "Air Circulation"(smart ceiling fan) on the sidebar menu then select "Ceiling Fan Switch" or "Ceiling Fan" and tap next.

- c. Connect to your home WIFI (Only for 2.4Ghz).
- d. Choose AP Mode.
- e. Press "Next" button to go to connect the fan's WIFI signal.
- f. Choose the fan's WIFI signal "CarroHome-XXXX" then back to the app.
- g. Wait for connecting.

4. Connect the device to the Alexa:

- a. Make sure you have connected the device to the app and working normally.
- b. Open Alexa app, go to the skill to search "Carro Home" skill.
- c. Link the skill, log in with your Carro Home app account and password, then authorize and connect with Carro Home app.
- d. Then the Alexa will find out the device automatically.

5. Connect the device to the Google Home

- a. Make sure you have connected the device to the app and working normally.
- b. Open Google Home app, Set up a device, choose "Works with Google".
- c. Search "Carro Home", log in with your Carro Home app account and password, then authorize and connect with Carro Home app.
- d. Then the Google Assistant will find out the device automatically.

6. Connect the device to the Siri shortcuts

- a. Make sure you have connected the device to the app and working in functional.
- b. Tap "Smart" on the main menu.
- c. Tap "+" button.
- d. Tap "launch Tap To Run".
- e. Tap "Run the device".
- f. Choose the device you want to control by Siri.
- g. Select the function you want to control by Siri.
- h. Then save it.
- i. Add to Siri, choose the scene you just made, Add to Siri.
- j. Enter the sentence you want to say to make the device works, Add to Siri.

Care and cleaning:

1. Check the support connections, brackets, and airfoil attachments twice a year. Make sure they are secure. Because of the fan's natural movement, some connections may become loose over time. It is not necessary to remove the fan from the ceiling.
2. Clean your fan periodically. Use only a soft brush or lint-free cloth to avoid scratching the finish. The plating is sealed with a lacquer to minimize discoloration or tarnishing.
3. (Optional) Apply a light coat of furniture polish to the wood blades.
4. (Optional) Cover small scratches with a light application of shoe polish.

Do not:

1. Use water when cleaning. Water could damage the motor, or the wood, or possibly cause an electrical shock.
2. Apply oil to your fan or motor. The motor has permanently lubricated sealed ball bearings.
Note: Power off the fan before product maintenance or cleaning the fan.

FCC Statement:

NOTE: This equipment has been tested and found to comply with the limits for a Class B digital device, pursuant to part 15 of the FCC Rules. These limits are designed to provide reasonable protection against harmful interference in a residential installation. This equipment generates, uses and can radiate radio frequency energy and, if not installed and used in accordance with the instructions, may cause harmful interference to radio communications. However, there is no guarantee that interference will not occur in a particular installation. If this equipment does cause harmful interference to radio or television reception, which can be determined by turning the equipment off and on, the user is encouraged to try to correct the interference by one or more of the following measures:

- Reorient or relocate the receiving antenna.
- Increase the separation between the equipment and receiver.
- Connect the equipment into an outlet on a circuit different from that to which the receiver is connected.
- Consult the dealer or an experienced radio/TV technician for help.

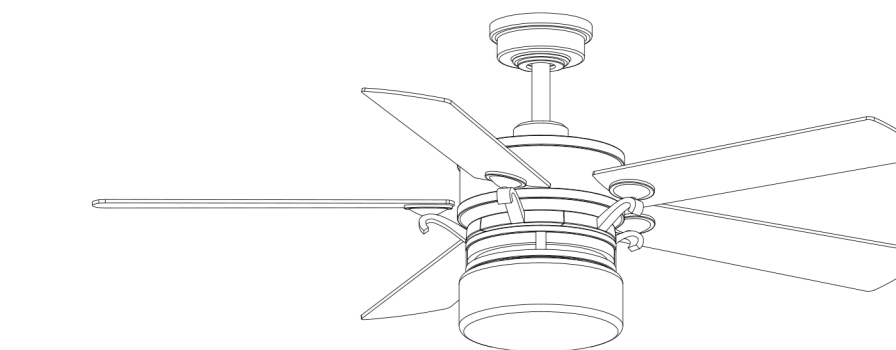
WARNING: Changes or modifications to this unit not expressly approved by the party responsible for compliance could void the user's authority to operate the equipment.

Troubleshooting:

Your fan may occasionally jerk forward and backward upon start up. This is normal and does not affect fan operation. Try these troubleshooting steps before contacting Customer Service.

TROUBLE	SUGGESTED REMEDY
If fan does not start	<ol style="list-style-type: none"> 1. Check main and branch circuit fuses or circuit breakers. 2. Check wire connections as performed in step #18 of installation. CAUTION: Make sure main power is turned off. 3. Make sure forward/reverse switch is firmly in up or down position. Fan will not operate when switch is in the middle. 4. If the fan still will not start, contact a qualified electrician. Do not attempt to troubleshoot internal electrical connections yourself.
If fan sounds noisy	<ol style="list-style-type: none"> 1. Check to make sure all screws in motor housing are snug (not over tightened). 2. Check to make sure the screws which attach the fan blade holder to the motor are tight. 3. Some fan motors are sensitive to signals from Solid State variable speed controls. DO NOT USE a Solid State variable speed control. 4. Allow "break-in" period of 24 hours. Most noises associated with a new fan will disappear after this period.
If fan wobbles	<p>All blades are weighed and grouped by weight. Natural woods vary in density which could cause the fan to wobble even though all blades are weight-matched. The following procedures should eliminate most of the wobble. Check for wobble after each step.</p> <ol style="list-style-type: none"> 1. Check that all blades are screwed firmly into blade holders. 2. Check that all blade holders are tightened securely to motor. 3. Make sure that canopy and mounting bracket are tightened securely to ceiling joist. 4. If blade wobble is still noticeable, interchanging two adjacent (side by side) blades can redistribute the weight and possibly result in smoother operation.
If light does not work	<ol style="list-style-type: none"> 1. Check for faulty light bulbs. 2. Check to see that the wire connections in the switch housing are connected. 3. If light kit will still not operate, contact a qualified electrician for assistance.

1431 S. Baker Ave. Ontario CA 91761
Tel: 888-253-2374
www.smaf.com | cs@carrohome.com



ITEM: WGS-525HL

Technical Parameter: AC 120V 60HZ

SMART CEILING FAN INSTALLATION GUIDE

Please read and follow all the Instructions carefully before using this product.
The product image shown here is indicative only. Actual product you receive may differ.