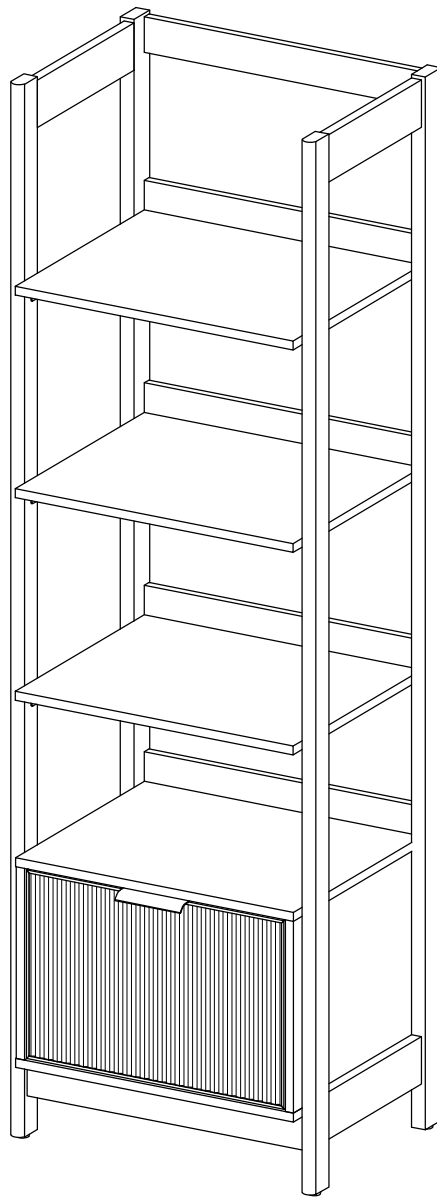


Bookcase



Time to get started

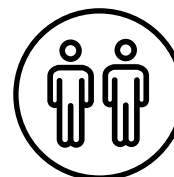
Set up a clean and soft workplace to get started and avoid damage during the assembly. It also helps to double-check you've got all the pieces and parts before diving in to assembly.

Estimated time for assembly



People recommended for assembly

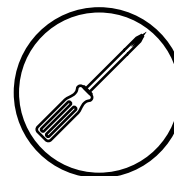
Make it a team effort! Grab a friend for quicker, easier assembly.



2 People Build

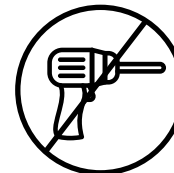
Tools Needed

Grab a Phillips head screwdriver to conquer this assembly



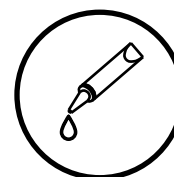
Use power tools with caution

You can cause cracking or damage to the material and easily strip the hardware. If you choose to use a power tool, your product will no longer be covered under Walker Edison's warranty.



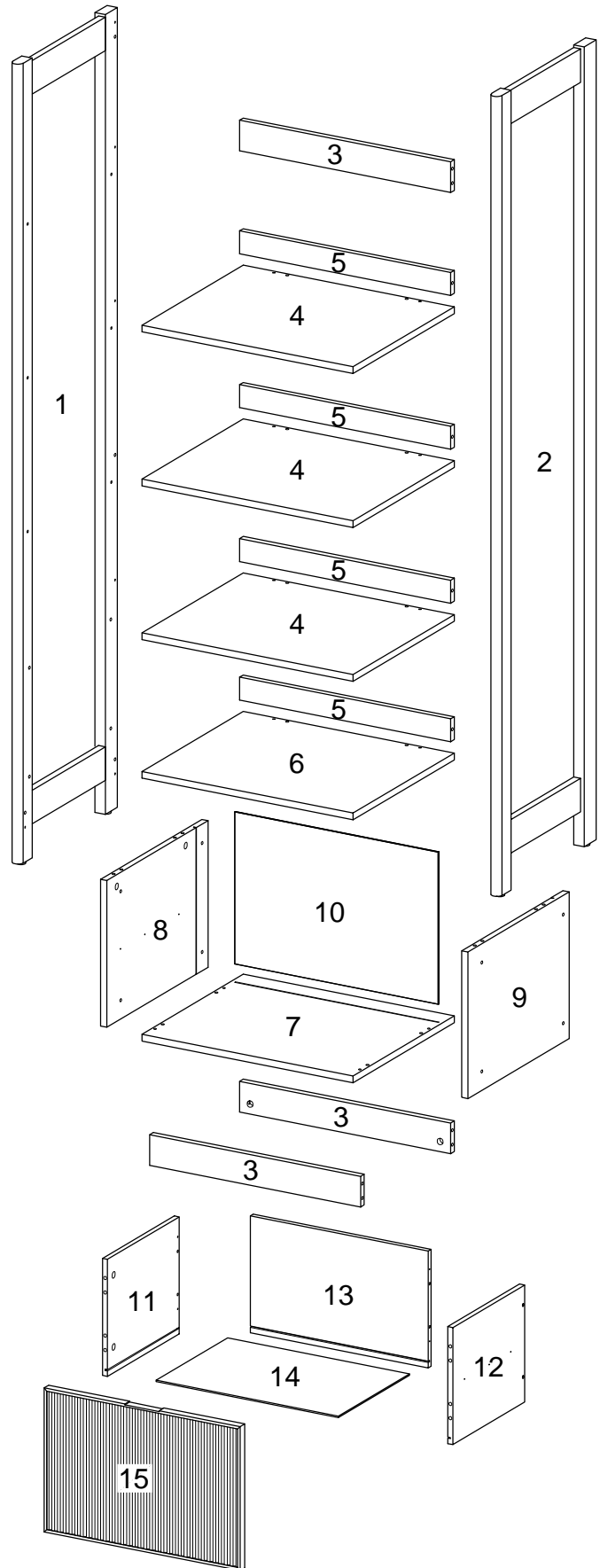
Glue is provided to secure wood dowels in place

When inserting dowels, locate the appropriate hole, place a small amount of glue in the hole, and then insert the dowel. Wipe away excess glue immediately.






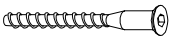


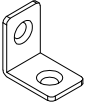

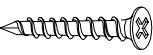
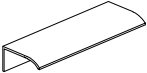



Parts List

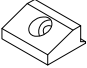
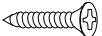
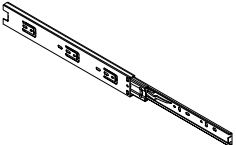

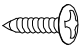
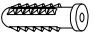


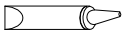
Part Number	Description	Quantity
1	Left Panel	1
2	Right Panel	1
3	Support Panels	3
4	Upper Shelf Panel	3
5	Front Shelf Trim	4
6	Lower Shelf Panel	1
7	Bottom Cabinet Panel	1
8	Left Cabinet Panel	1
9	Right Cabinet Panel	1
10	Back Cabinet Panel	1
11	Left Drawer Panel	1
12	Right Drawer Panel	1
13	Back Drawer Panel	1
14	Bottom Drawer Panel	1
15	Front Drawer Panel	1



Hardware List

Part	Size	Name	Quantity
A	 8x30mm	Wooden dowel	22
B	 6x30mm	Wooden dowel	8
C	 6x35mm	Cam Bolt	22
D	 15x11mm	Cam Lock	18
E	 15x9mm	Cam Lock	4
F	 6x50mm	Bolt	4
G	 6x30mm	Bolt	8
H	 6x15mm	Bolt	24
J		L-shape Bracket	12
K	 M4x57mm	Hex Key	1
L	 4x38mm	Screw	12
M		Drawer Pull	1
N	 3x12mm	Screw	14

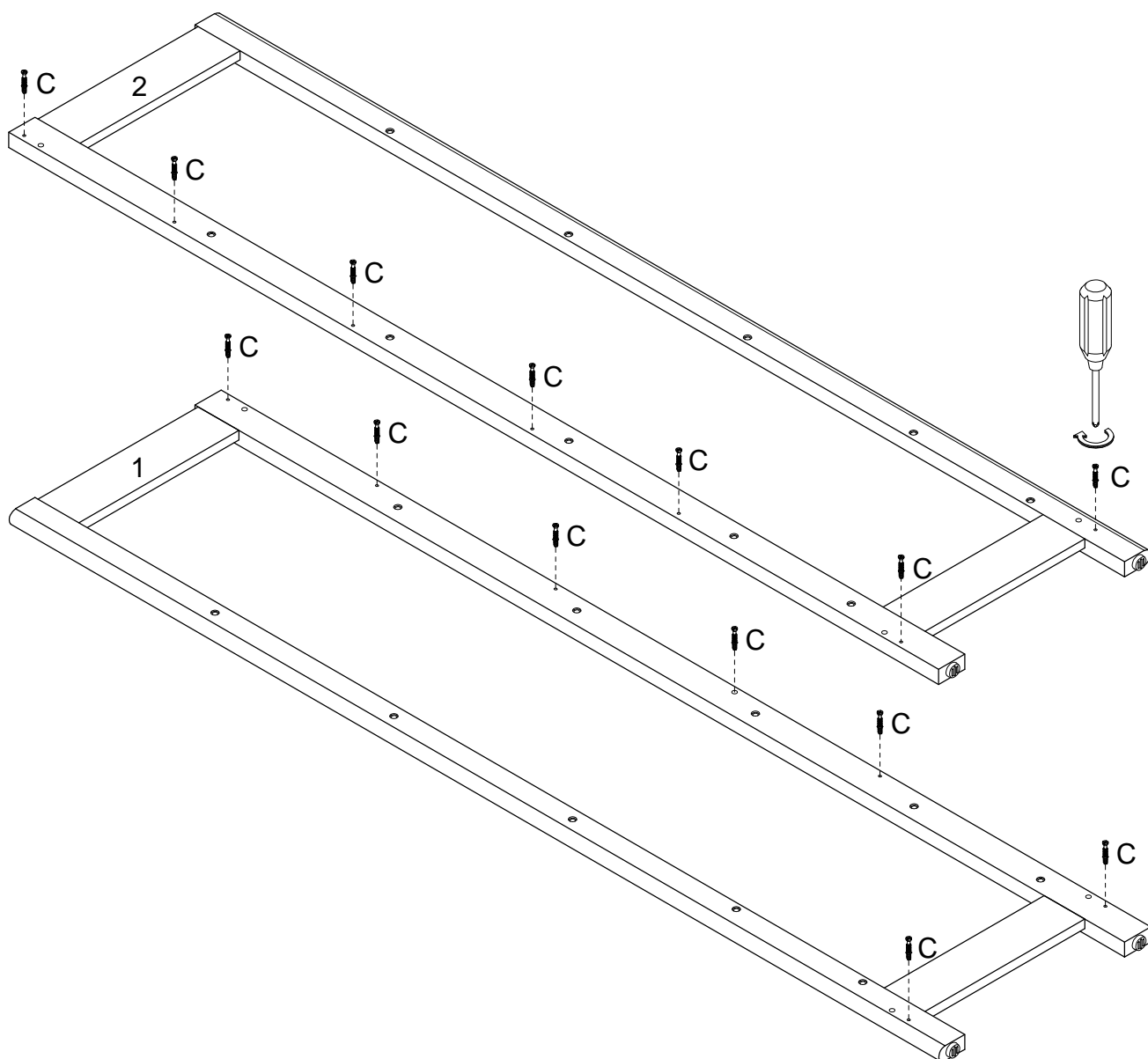
Hardware List

Part	Size	Name	Quantity
P		Plastic Wedge	6
Q	 3x17mm	Screw	6
S	 10"	Drawer Glide*	1 Set
* Note: This piece comes preassembled for shipping purposes and must be disassembled to complete the desk assembly.			
T	 4x25mm	Screw	2
U	 4x12mm	Screw	2
V		Wall Anchor	2
W		Plastic Strap	2
X	 30mm	Sticker	22
Y		Glue Tube	2

The hardware quantities listed above are required for proper assembly.
Extra hardware pieces may be included.

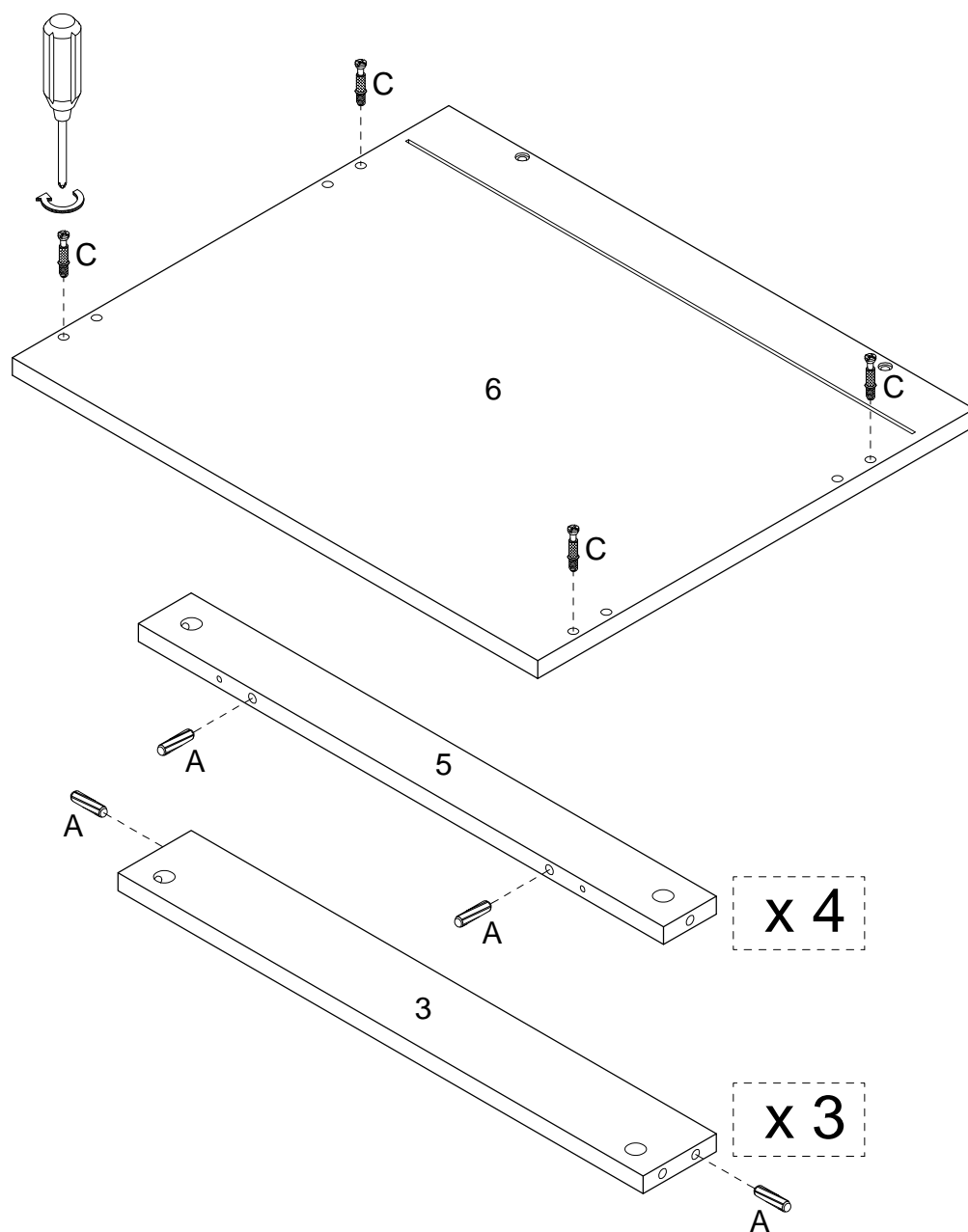
Step 1

Let's get this ball rolling. Attach Cam Bolts (C) to the Left Panel (1) and Right Panel (2).



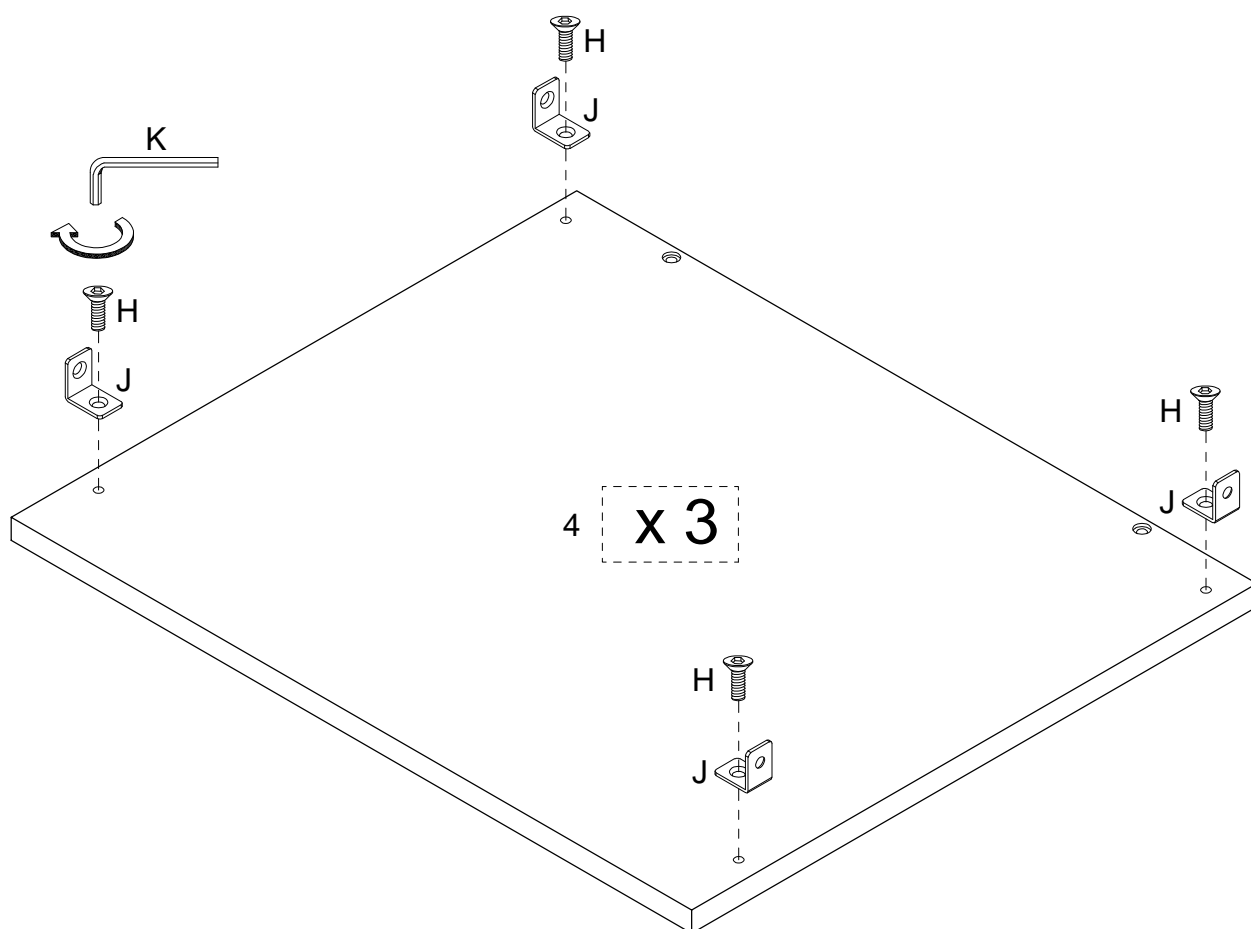
Step 2

Insert Cam Bolts (C) into the Lower Shelf Panel (6). Then insert Wooden Dowels (A) into the dowel holes on the four pieces of Front Shelf Trim (5) and three pieces of Support Panels (3).



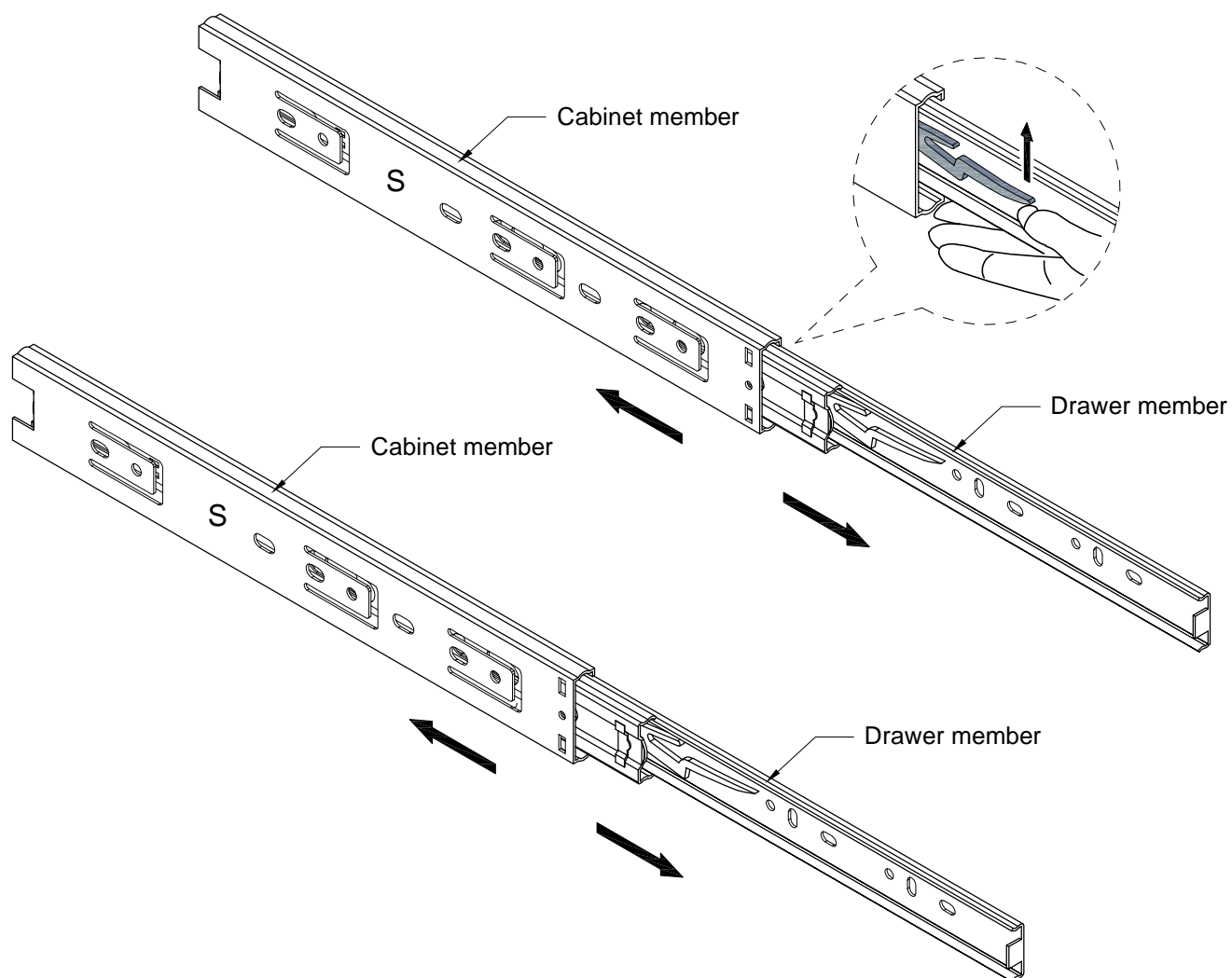
Step 3

Attach the L Shape Brackets (J) to the Upper Shelf Panels x3 (4) using 15mm Bolts (H).



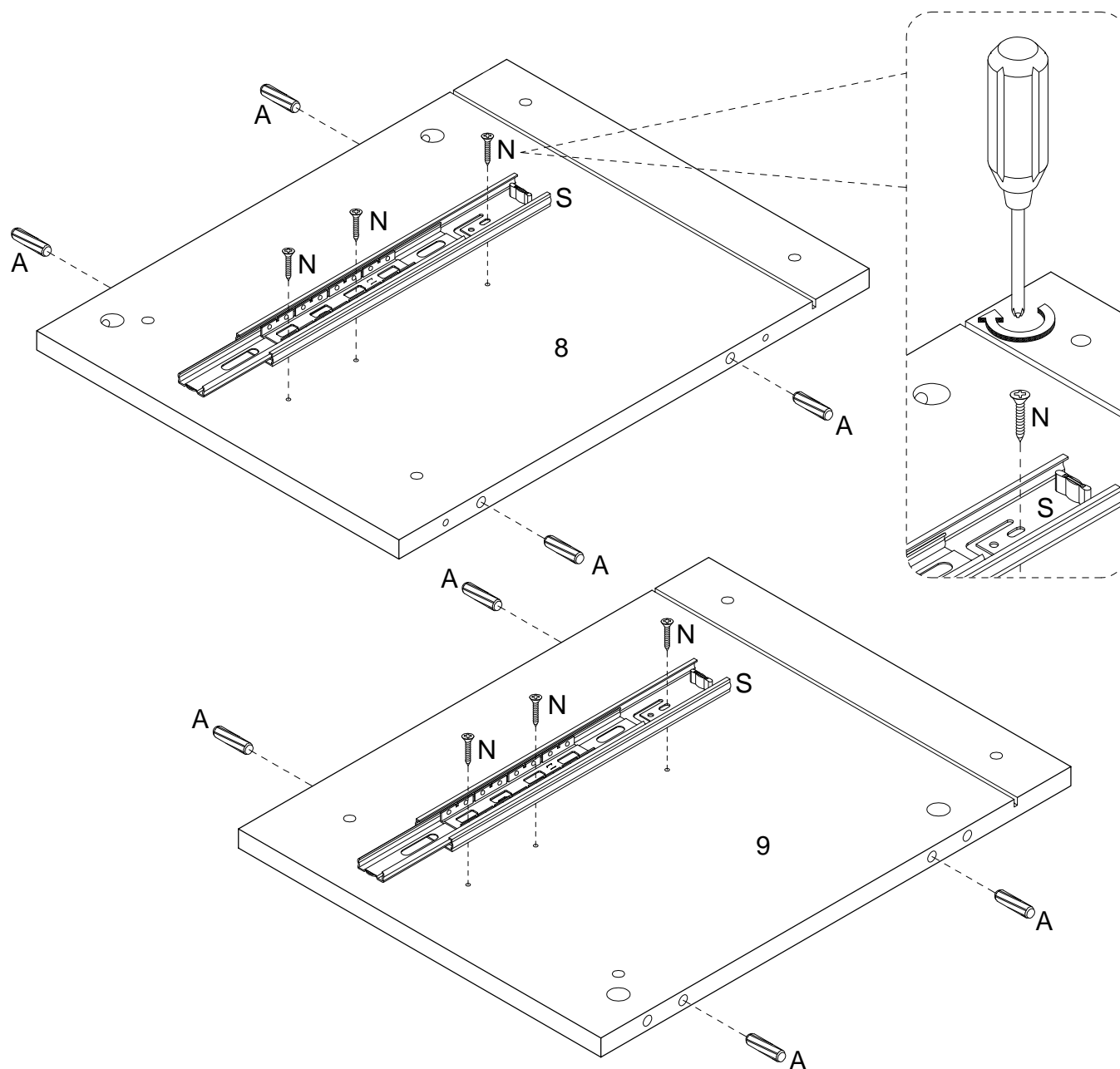
Step 4

From your Drawer Glides, you will detach the Drawer Members from the Cabinet Members. You can do so by pushing up on the plastic lever.



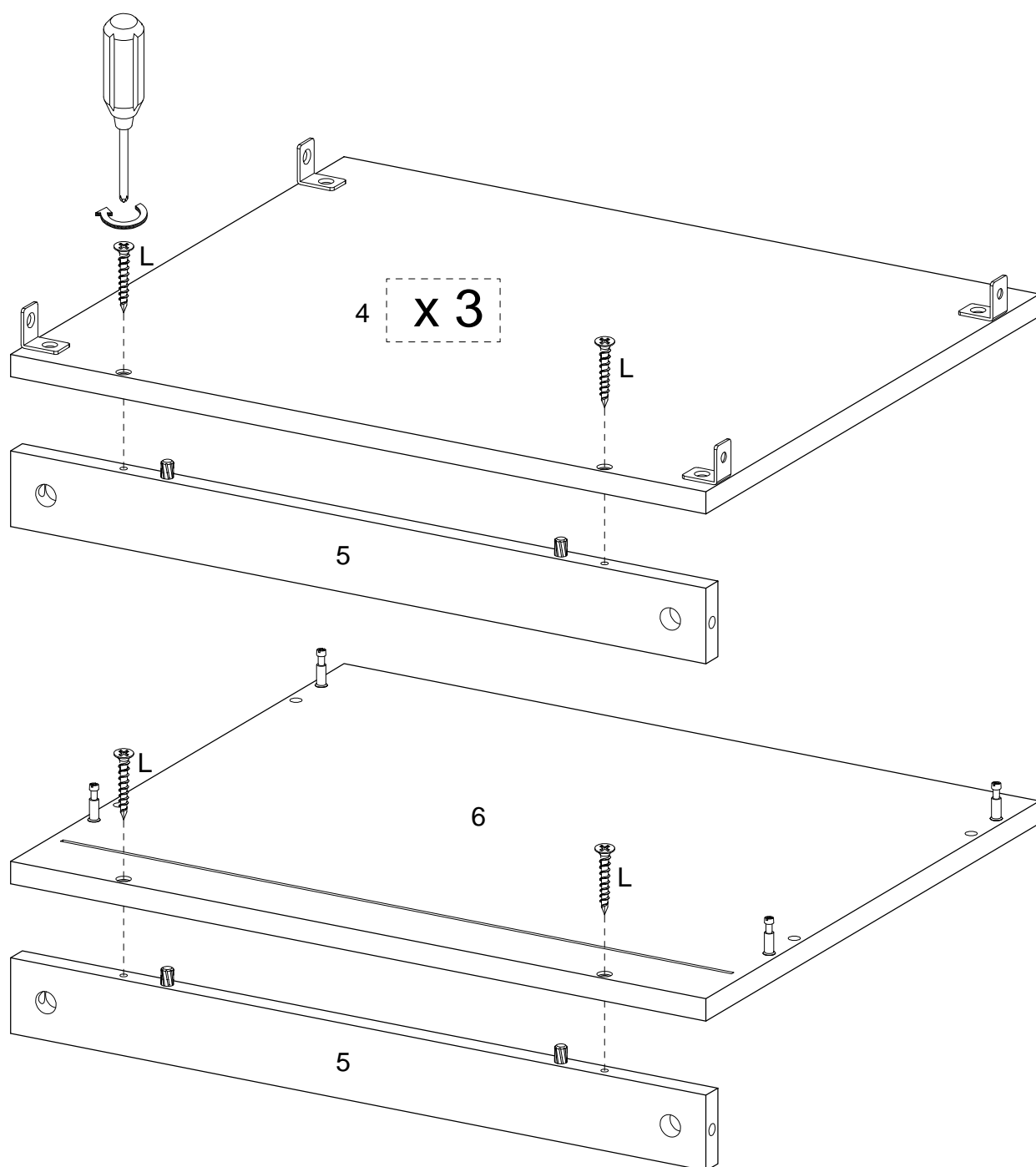
Step 5

Attach Drawer Glides (S) to the Left Cabinet Panel (8) and Right Cabinet Panel (9) using 12mm Screws (N). Insert Wooden Dowels (A) into side dowel holes.



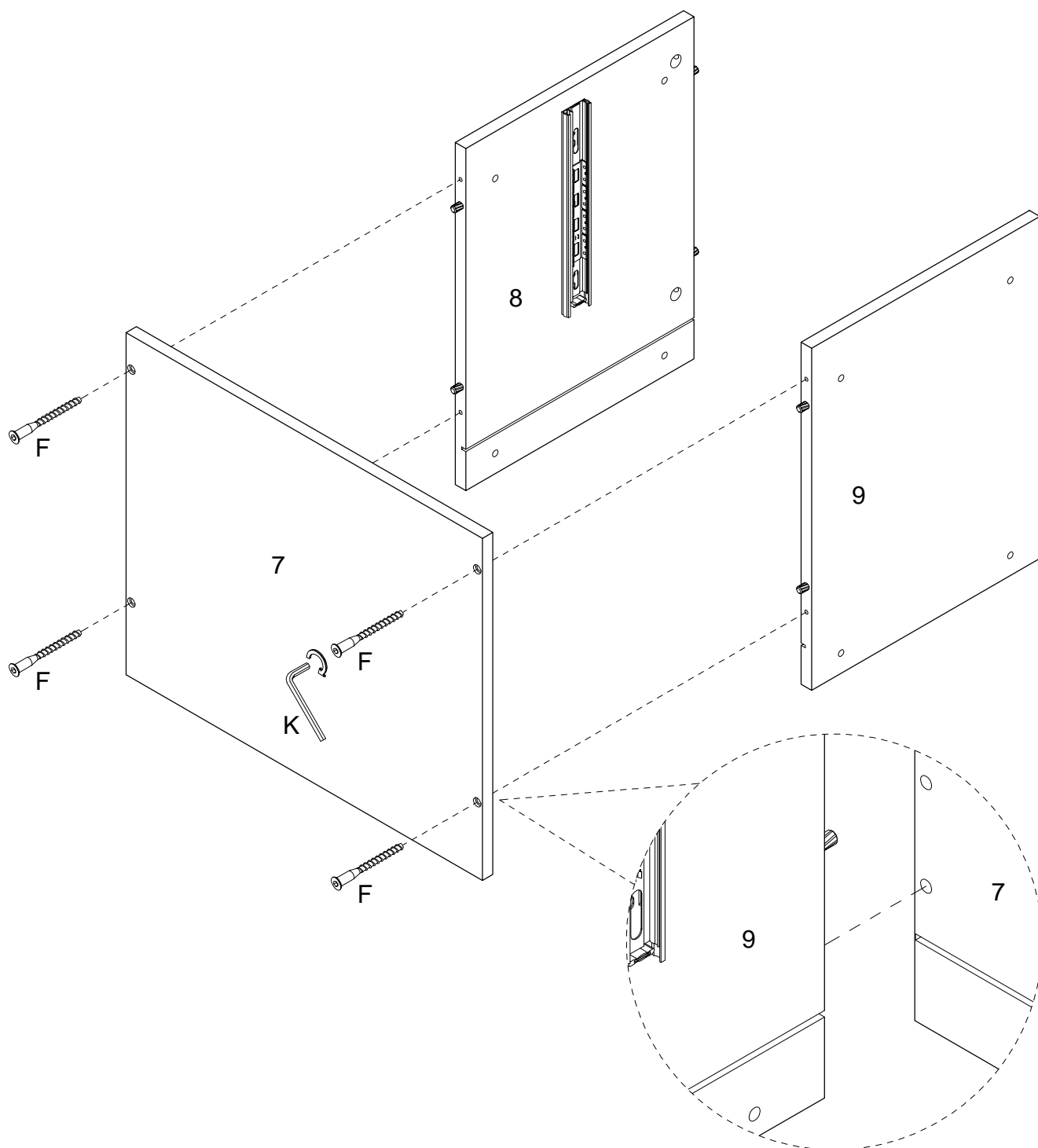
Step 6

Attach Front Shelf Trim x4 (5) to Upper Shelf Panels x3 (4) and Lower Shelf Panel (6) using 38mm Screws (L).



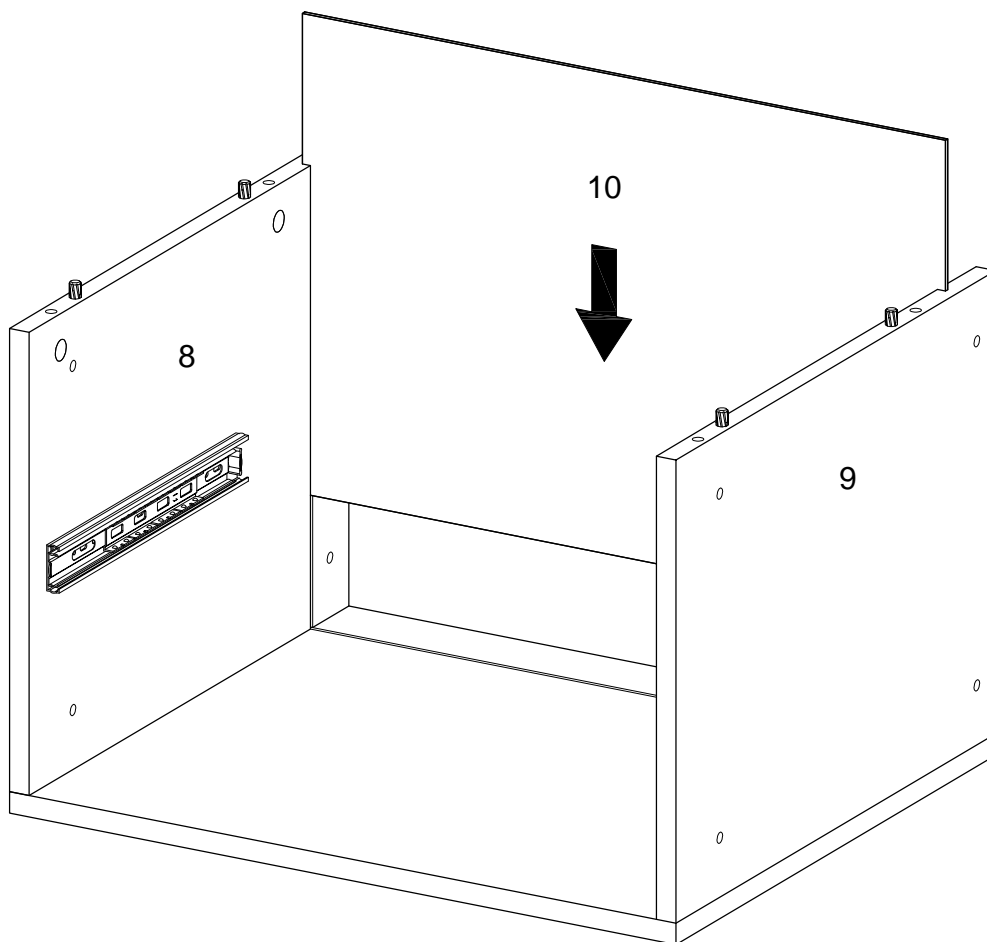
Step 7

Attach the Left Cabinet Panel (8) and the Right Cabinet Panel (9) to the Bottom Cabinet Panel (7) using 50mm Bolt (F).



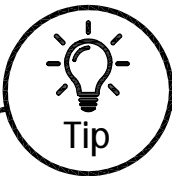
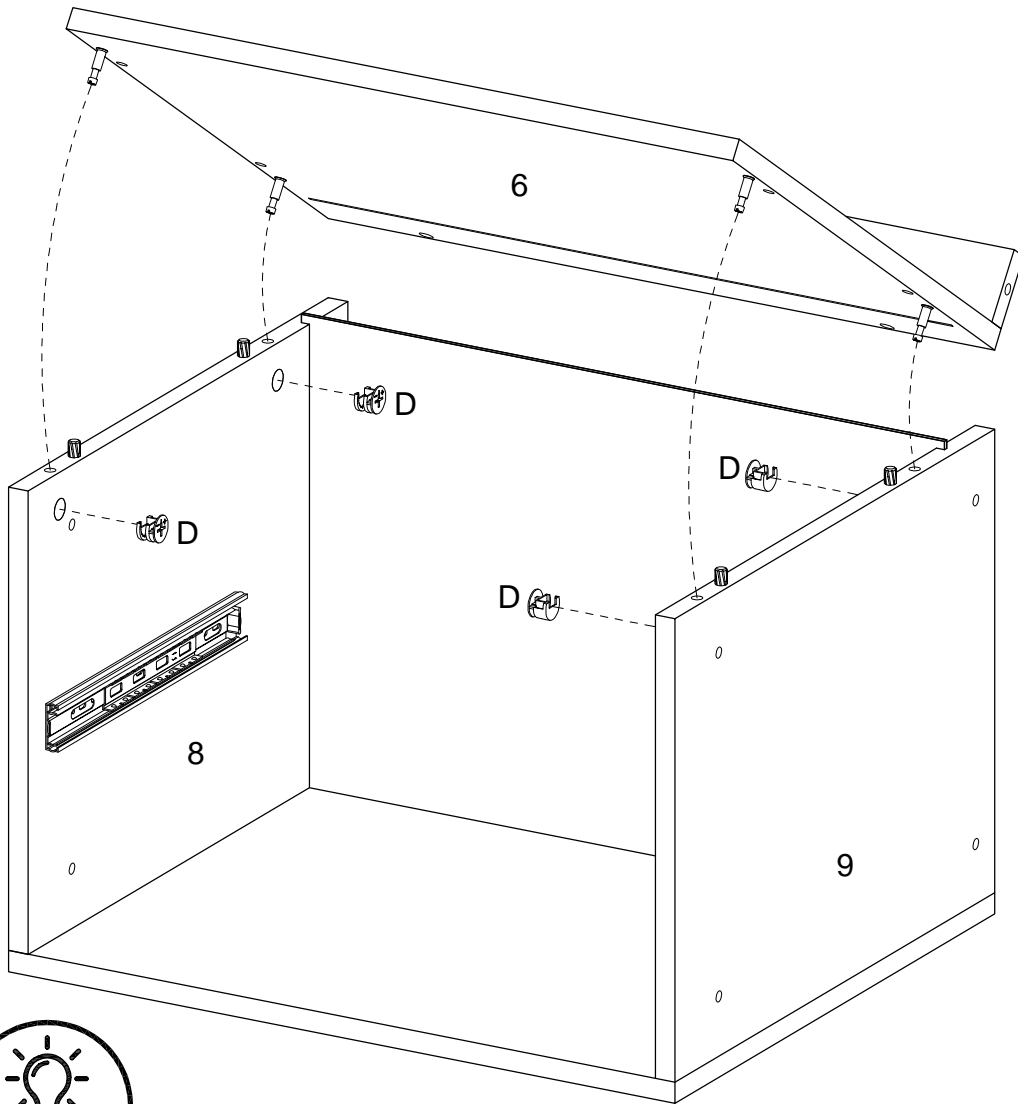
Step 8

Slide Back Cabinet Panel (10) into place using guides.



Step 9

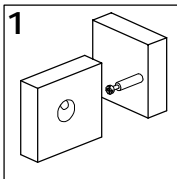
Attach Bottom Shelf (6) to Left Cabinet Panel (8) and Right Cabinet Panel (9). Lock into place with Cam Locks (D).



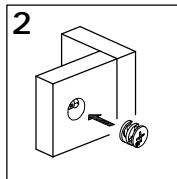
Tip

Cam Locks

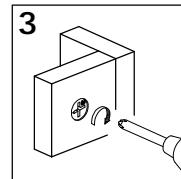
Cam Locks help securely join two pieces together. Follow these easy steps.



1: Insert Cam Bolt into bolt holes on the flat side. Don't over tighten!



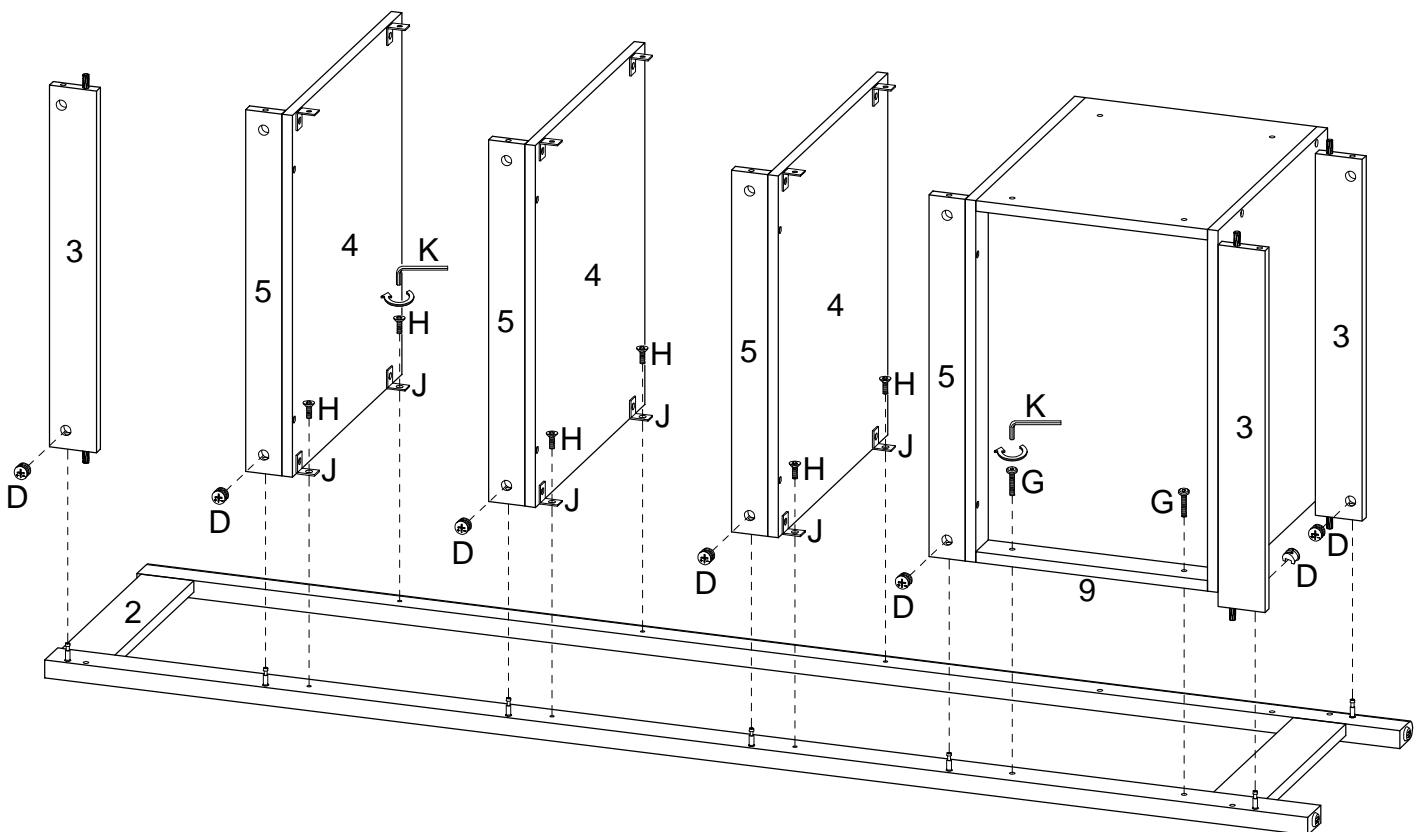
2: Fit the proper holes on the edge of the other part over the Cam Bolts. You should be able to see the cam bolts through the larger hole on the side.



3: On the back of the Cam Lock will be a "C" shape. Insert the Cam Lock so the opening of the "C" fits over the Cam Bolt. Tighten with the screwdriver.

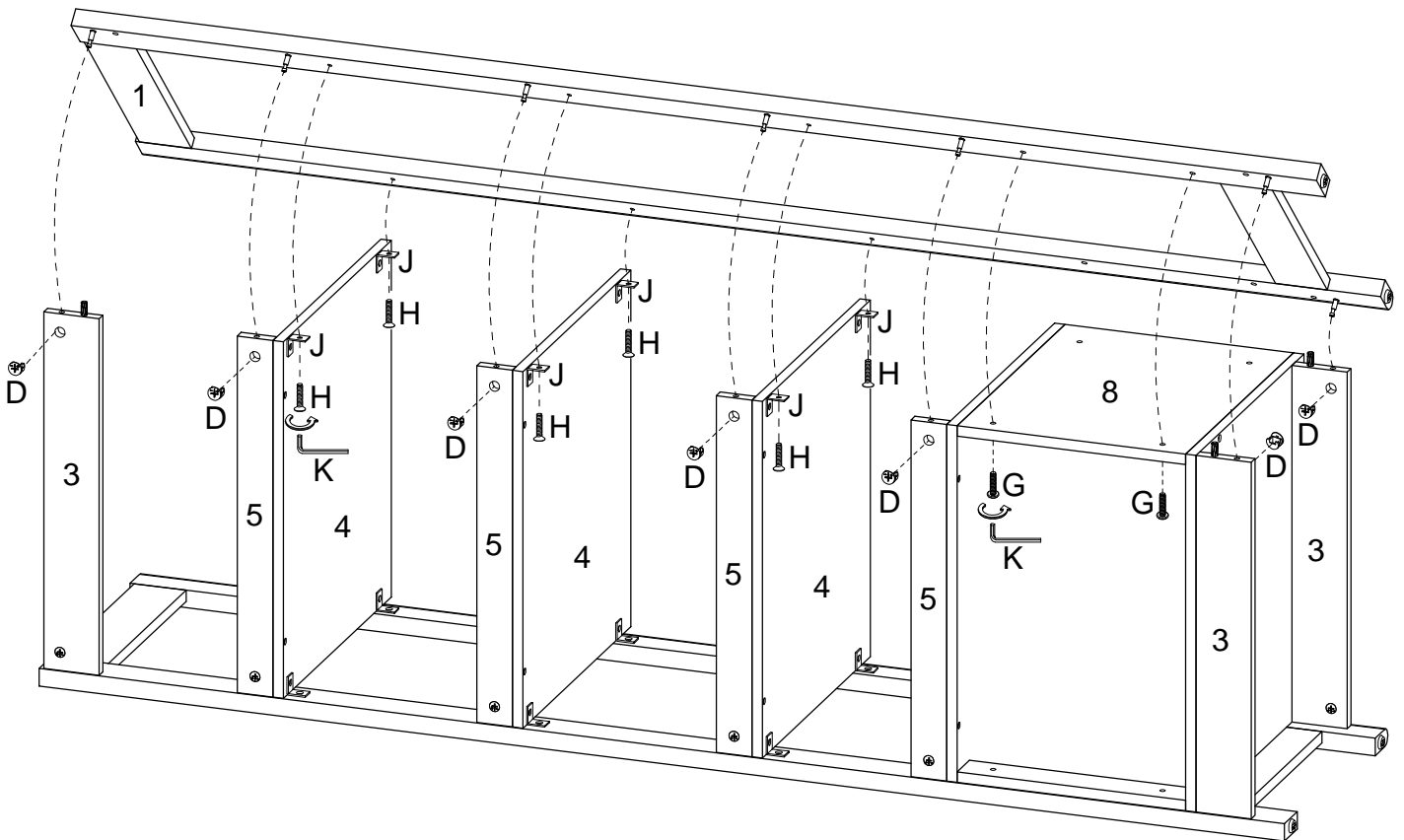
Step 10

Now, we'll attach shelves and the cabinet unit to the Right Side Panel (2). See graphic for proper order of shelves. Attach Front Shelf Trim x4 (5), & Support Panels x3 (3) with Cam Locks (D). Secure with screwdriver. Next, attach L Shape Brackets (J) on Upper Shelf Panels (4) to the Right Side Panel (2) using 15mm Bolts (H). Lastly, connect the Right Cabinet Panel (9) to the Right Side Panel (2) using 30mm Bolts (G).



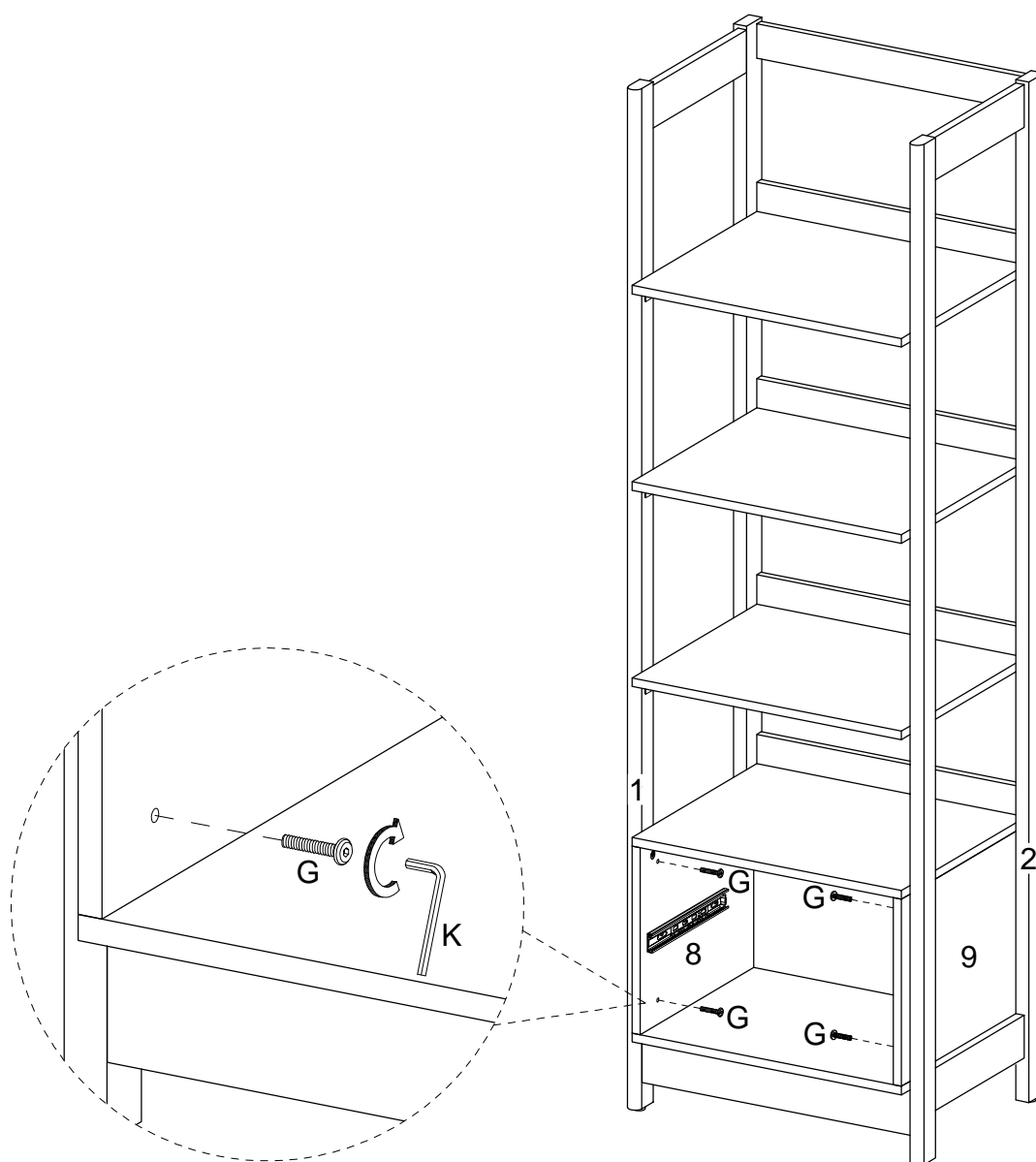
Step 11

Repeat these steps for the other side. Attach Front Shelf Trim x4 (5) & Support Panels x3 (3) with Cam Locks (D). Secure with screwdriver. Next, attach L Shape Brackets (J) on Upper Shelf Panels (4) to the Left Side Panel (1) using 15mm Bolts (H). Lastly, connect the Left Cabinet Panel (8) to the Left Side Panel (1) using 30mm Bolts (G).



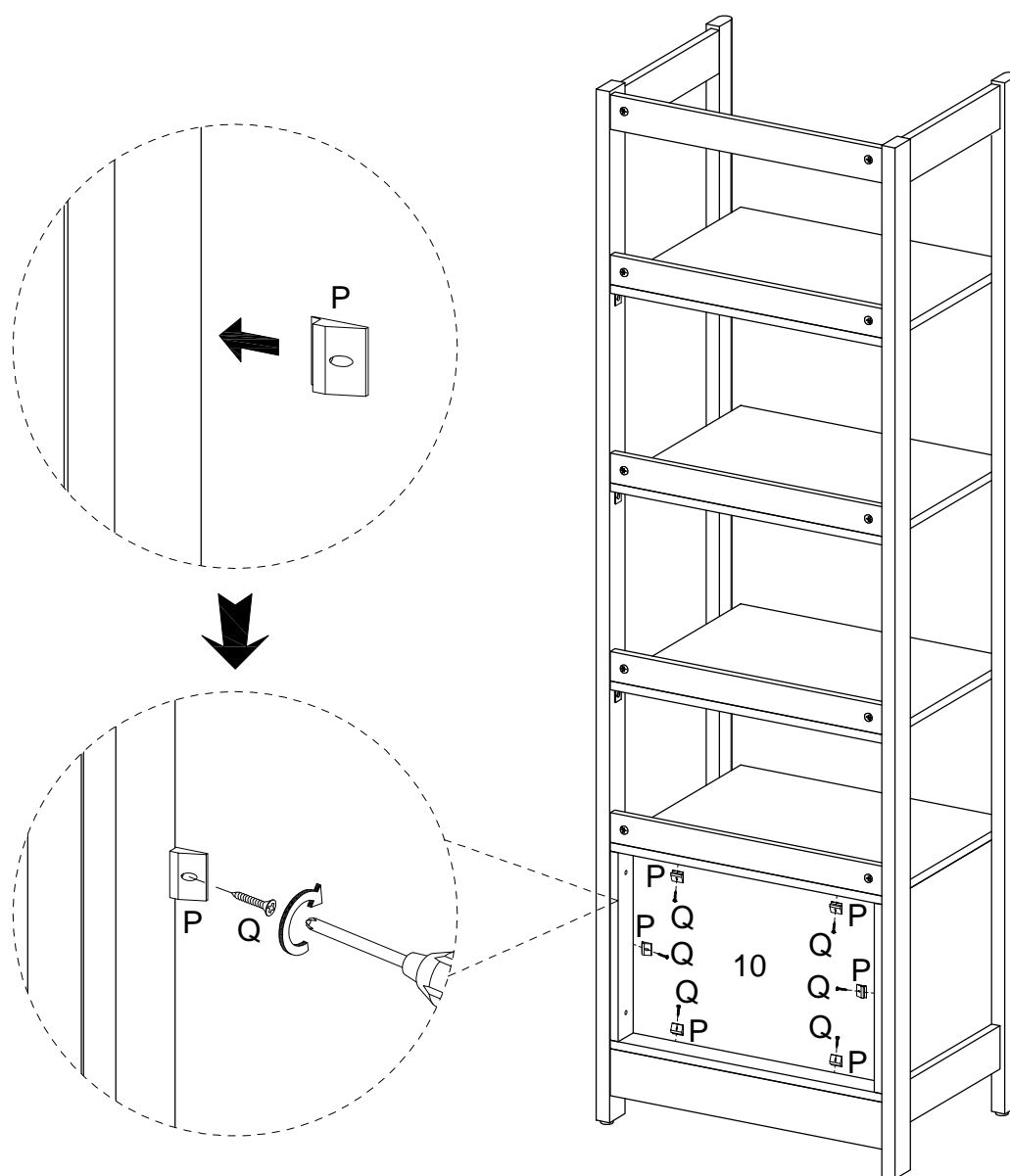
Step 12

Attach the front of the Left Drawer Panel (8) and the Right Drawer Panel (9) using 30mm Bolts (G).



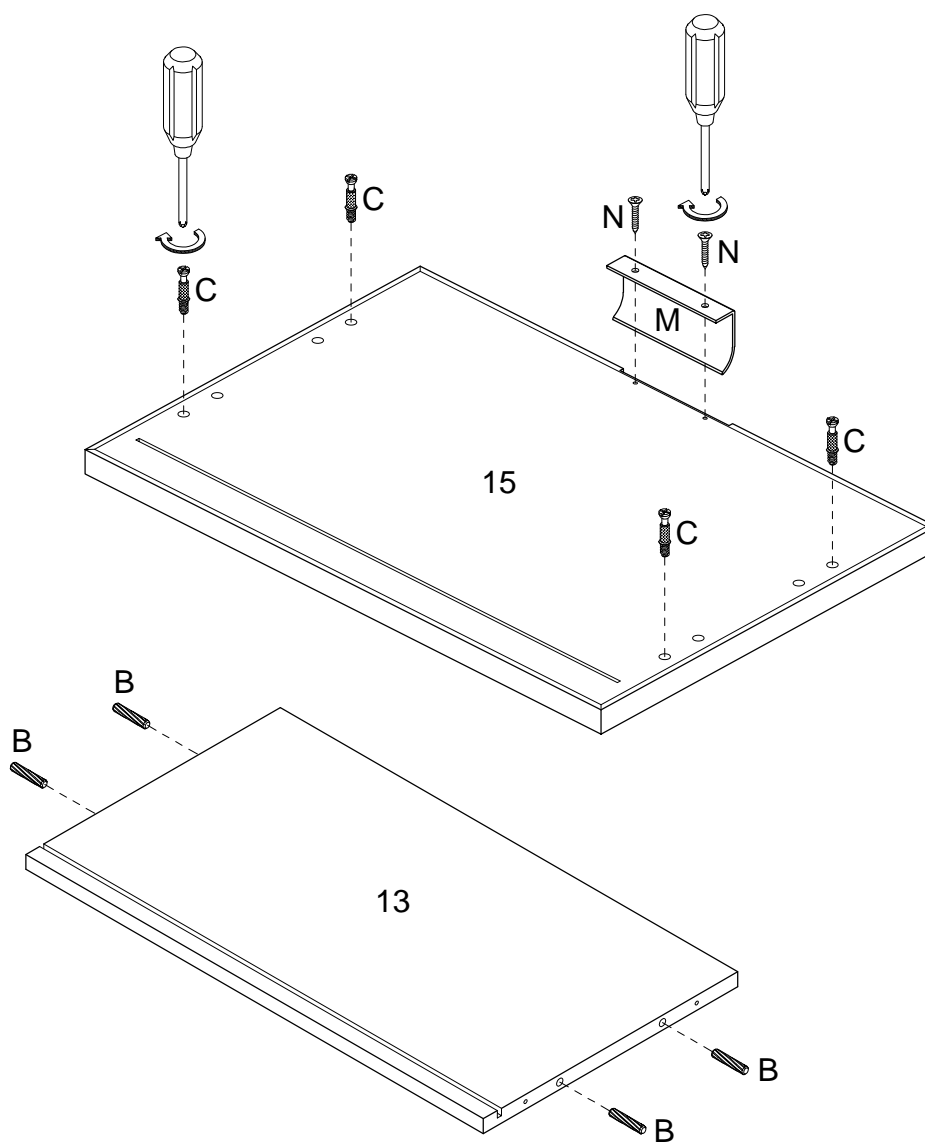
Step 13

Evenly place Plastic Wedges (P) into the gaps between the Back Cabinet Panel (10) and the frame. Attach the Plastic Wedges with the 17mm Screws (Q).



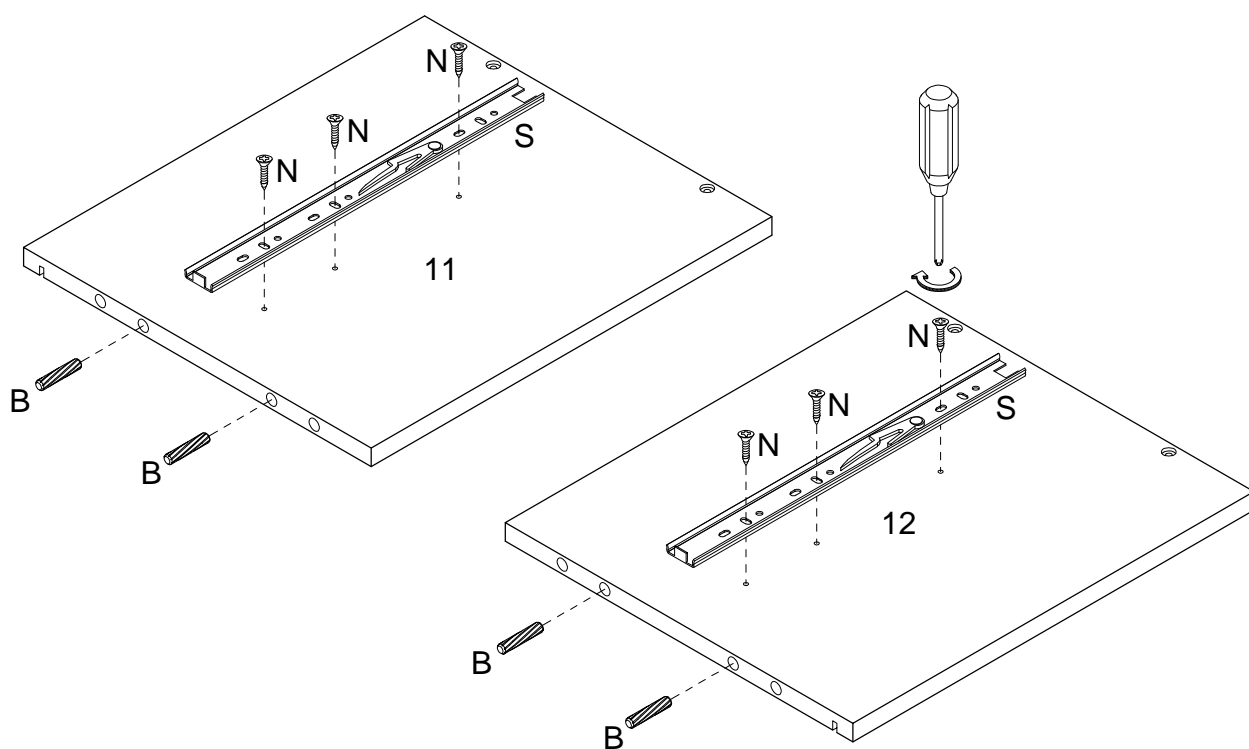
Step 14

Attach Cam Bolts (C) to the Front Drawer Panel (15) and insert Wooden Dowels (B) into the Back Drawer Panel (13). Attach the Drawer Pull (M) to the Front Drawer Panel (15) using 12mm Screws (N).



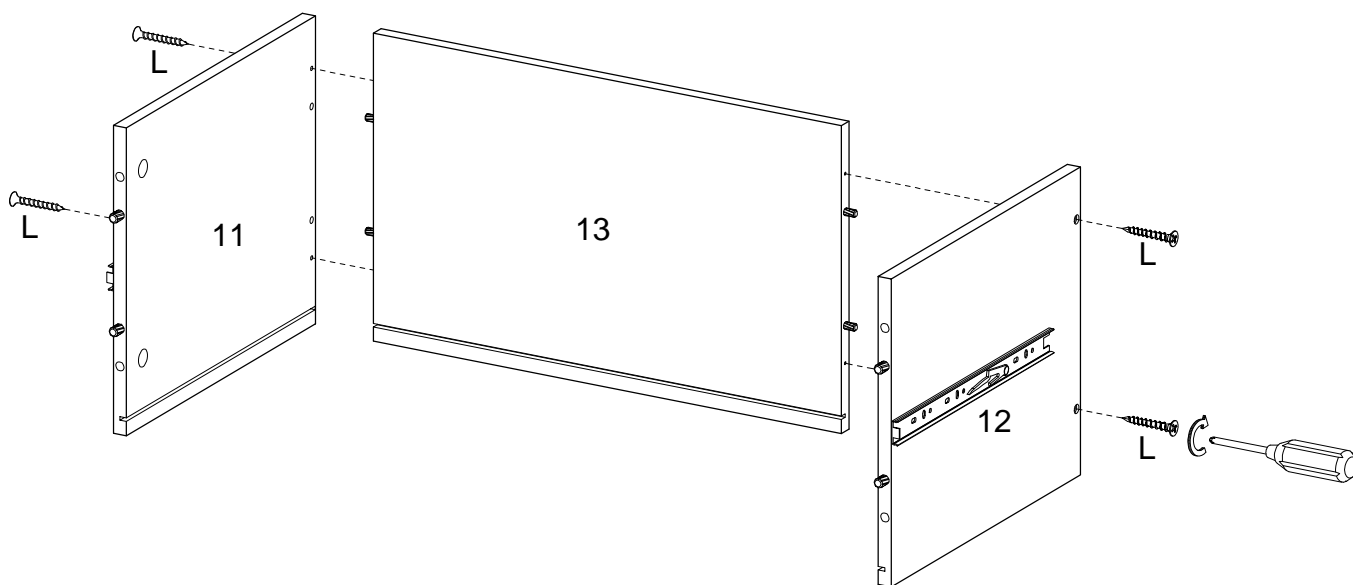
Step 15

Attach the Drawer Members from your Drawer Glides (S) to the Left Drawer Panel (11) and Right Drawer Panel (12) using 12mm Screws (N).



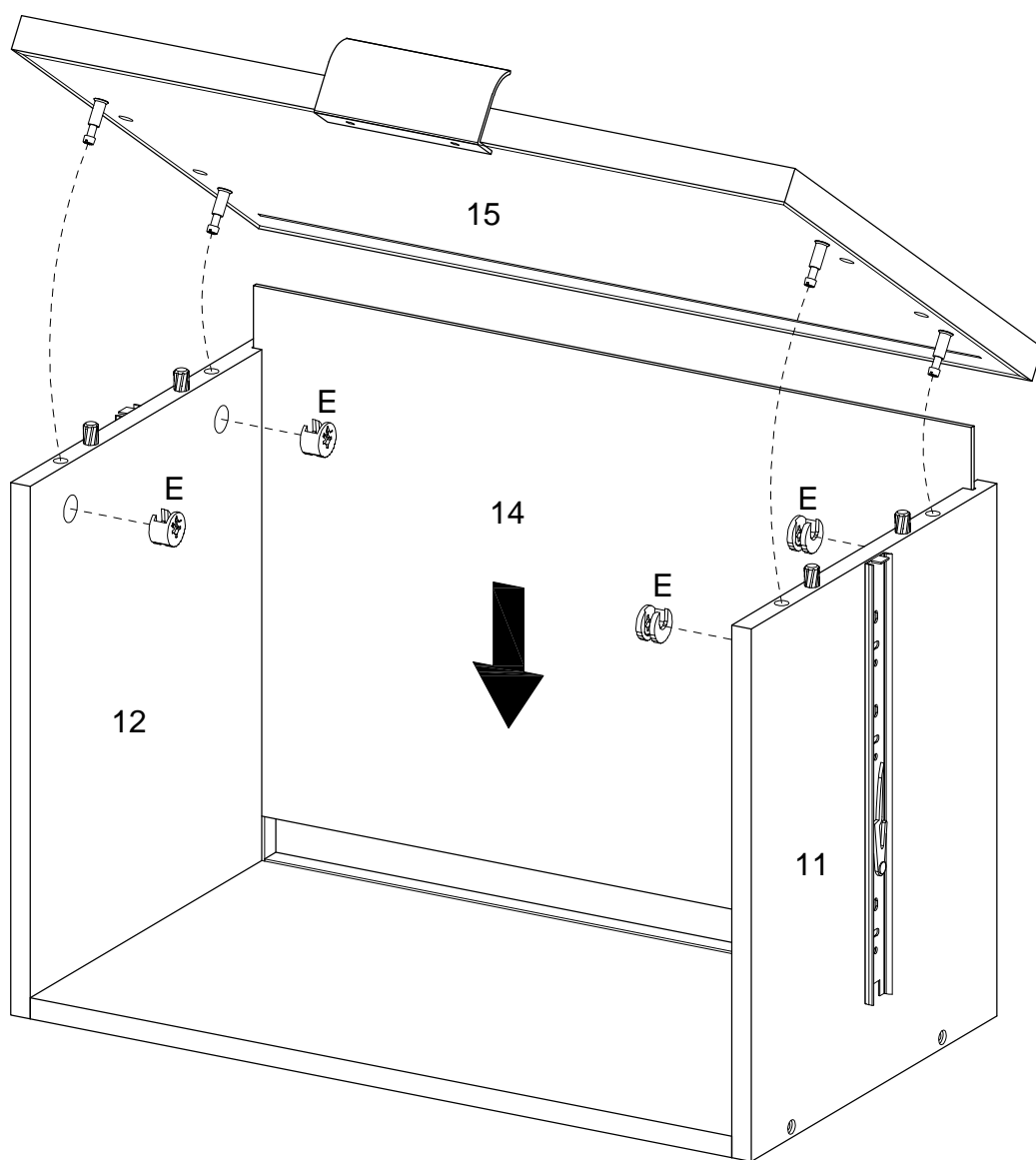
Step 16

Connect the Left Drawer Panel (11) and Right Drawer Panel (12) to the Back Drawer Panel (13). Secure with 38mm Screws (L).



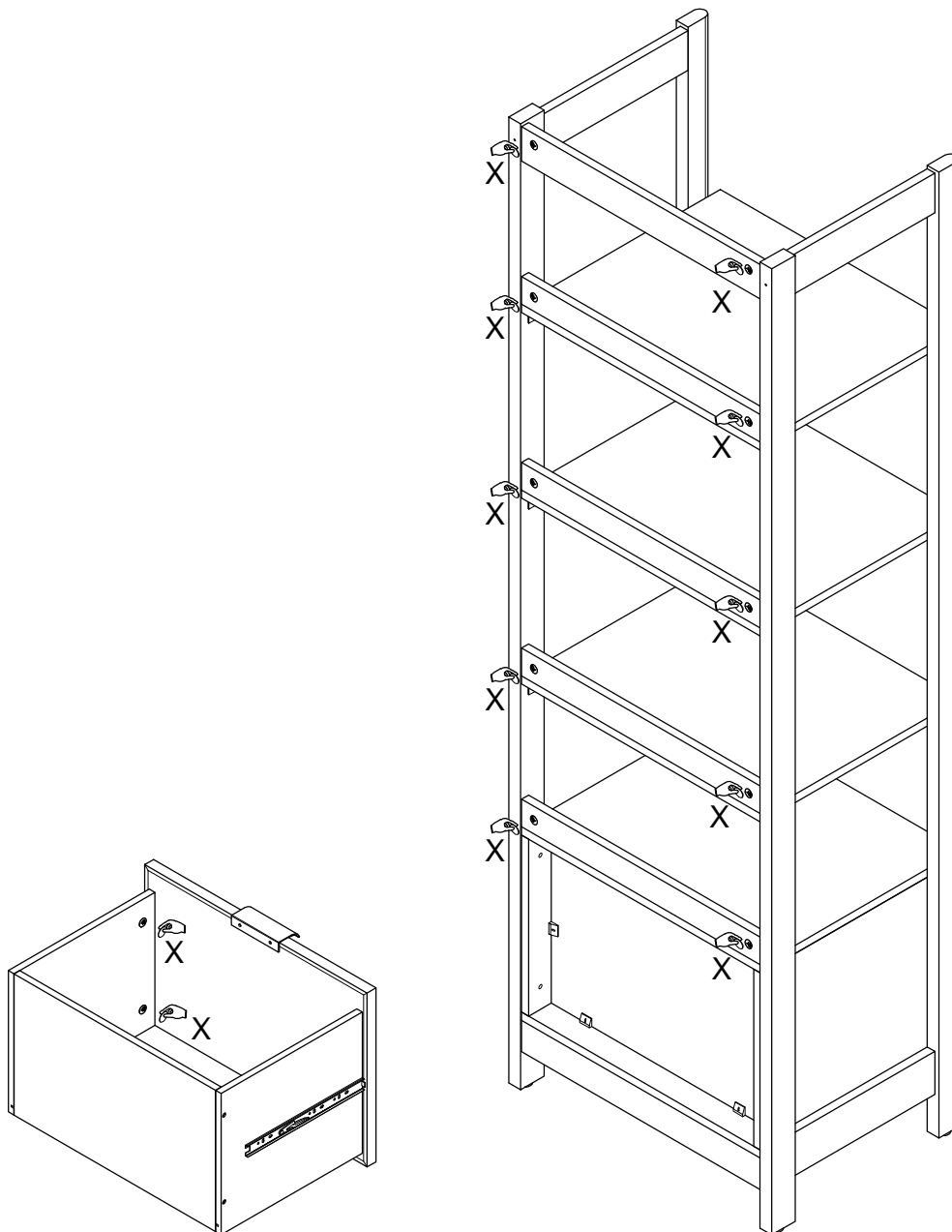
Step 17

Slide in the Bottom Drawer Panel (10) using the guides.
Attach Front Drawer Panel to the Left Drawer Panel (11)
and Right Drawer Panel (12) using Cam Locks (E).



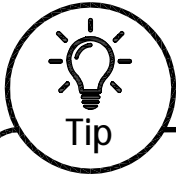
Step 18

Cover any visible Cam Locks (E) with Stickers (X).



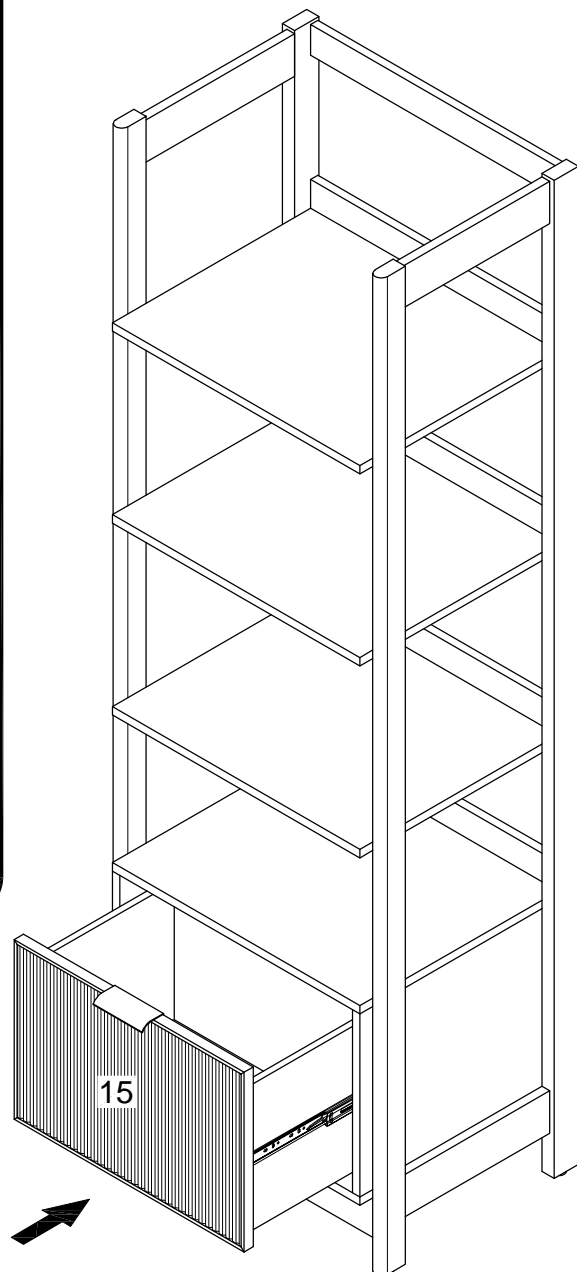
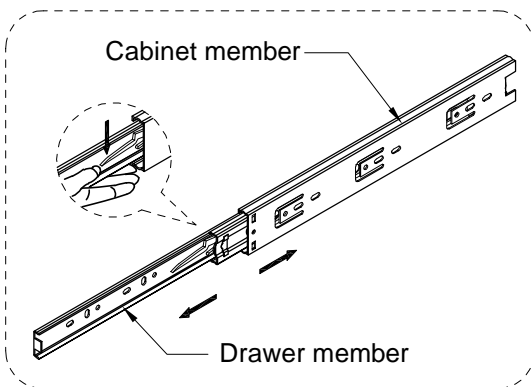
Step 19

Insert drawers into place by lining up the cabinet member and drawer member pieces of your Drawer Glides (S).



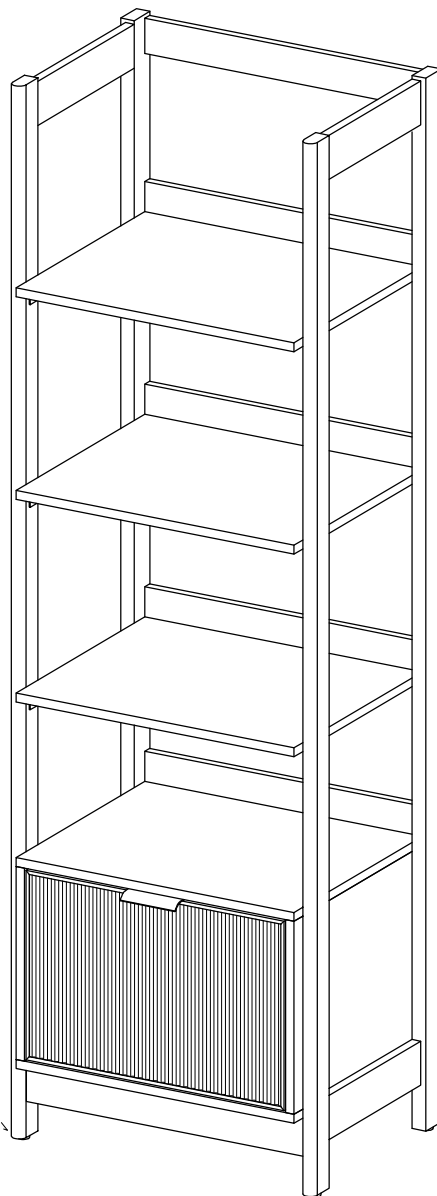
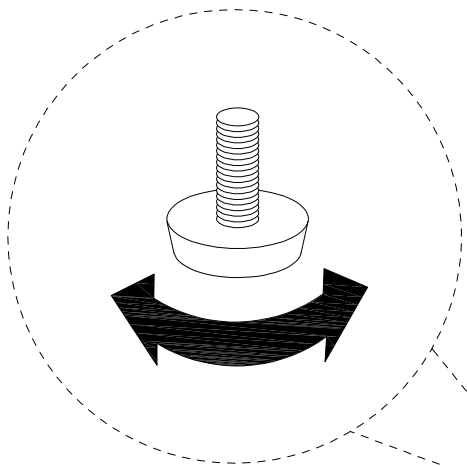
Reinserting your Cabinet Glides together

Line up the Drawer Member so it is inside the guides of the Cabinet Member. Once the connection is made, push the drawer into place entirely. It may not be a smooth glide on your first try, but will improve after it's fully inserted.



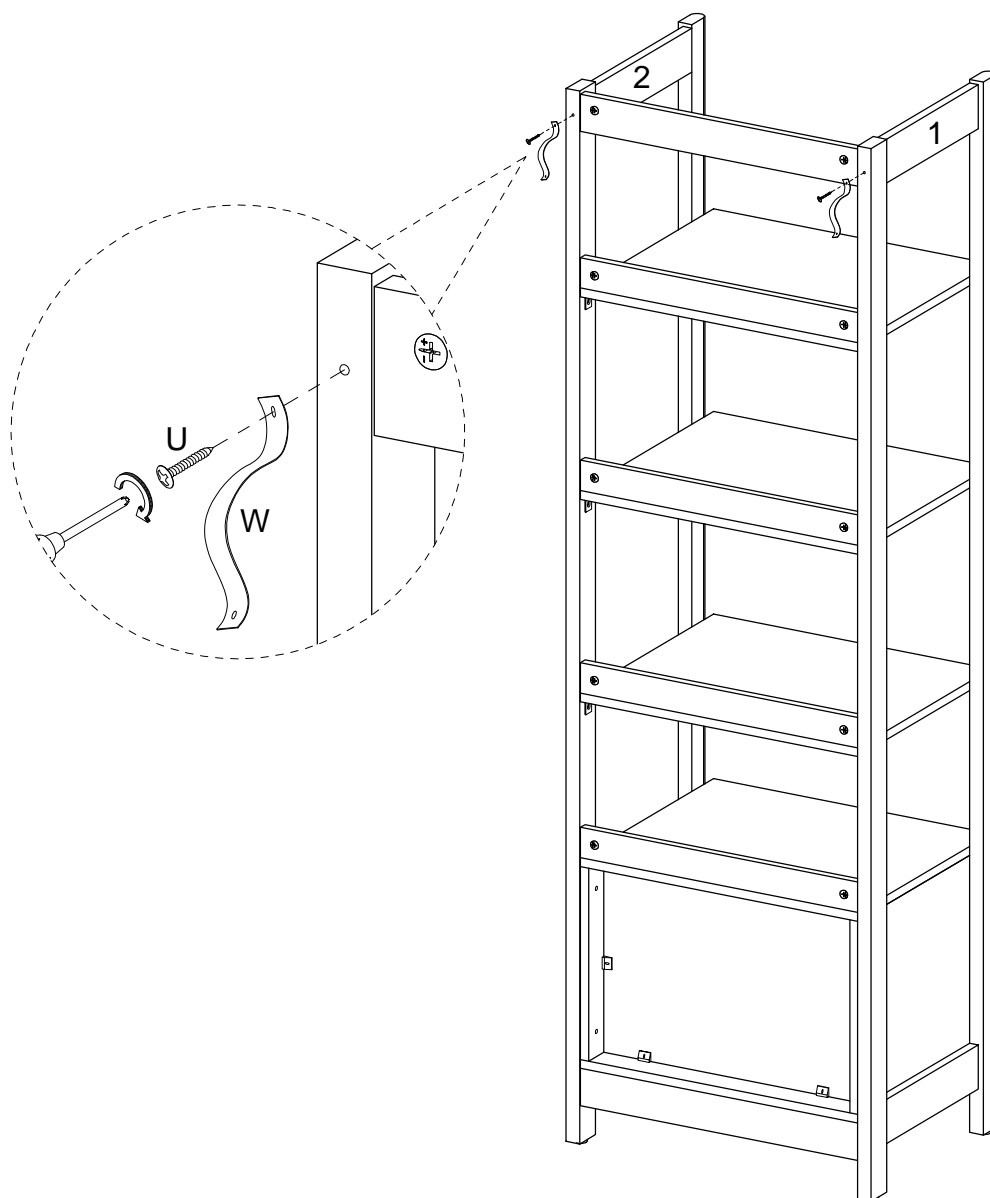
Step 20

Use the adjustable feet to create a level writing surface.



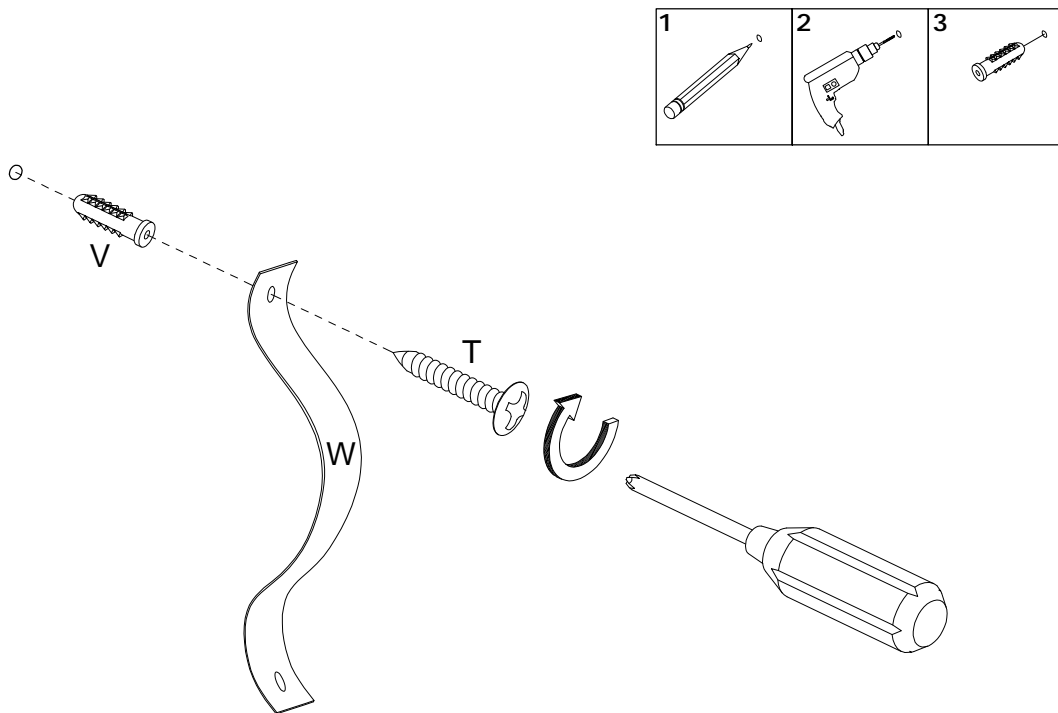
Step 21

Great work, you're in the home stretch. Let's secure your bookcase to the wall. Attach the Plastic Strip (W) to your bookcase using the 12mm Screw (U).



Step 22

Insert the Wall Anchor (V) into the wall. Next, secure the Plastic Strip (W) to the wall using the 25mm Screw (T).



Warning

Serious or fatal injuries can occur from furniture tipping over. To prevent the furniture from tipping over we recommend that it is permanently fixed to the wall. Wall anchor and hardware are included with this product. Please make sure hardware is suitable for your walls before installing, as different wall materials may require different types of anchors.

Final Assembly

