

WOODBIDGE[®]

BID02 ELECTRONIC TOILET SEAT



Customer Service Phone: 562-229-0088. (Monday - Friday 9 AM - 5 PM Pacific Time)

Or Email: help@woodbridgebath.com

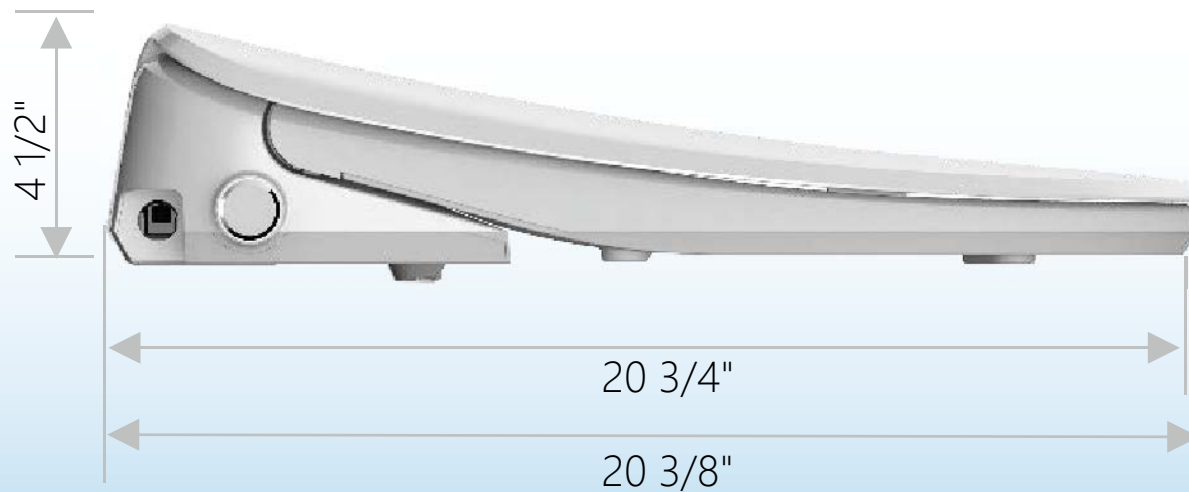
www.woodbridgebath.com

01

Smart Seat BID02 – Overall Introduction



- Super slim and elegant modern
 - design Overall height only 4 1/2"
 - Universal shape that can fit most elongated toilets in the market
-
- Remote control and manual button available
 - Manual button finish: Painting / Chrome plated
-
- Overall dimension: 20 3/8"*15 7/8"*4 3/8"



Smart Seat BID02 – Main Functions

	Instant heating	●
Wash	Rear wash	●
	Front wash	●
	Massage wash	●
	Water temperature adjustment	●
	Spray location adjustment	●
	Water pressure adjustment	●
Clean	Spray nozzle self-cleaning	●
	Spray nozzle detachable	●
	Anti-bacterial nozzle	●
	Quick disassembly	●
	Water filtration	●
	Deodorization	Optional
	Anti-bacterial seat	●
	Pulse wash	Optional
UV/Plasma sterilization	Optional	
Comfort	6 Safety devices	Water temperature sensor, Thermostat, temperature fuse, Over temperature water cut-off protection, Ground protection, Leakage protection device
	Seat cover Material	PP material
	Heated seat	●
	Seat temperature adjustment	●
	Soft closing	●
	Night light	Smart light sensor, Normally on/off
	Automatic seat on/off	Induction sensor
	Drying device	●
	Wind temperature adjustment	●
	Continuous warm wash	●
	Mix steam wash	Naturally aspirated spray
Control	Manual buttons + Remote control	
Additional functions	Digital display	/
	ECO mode	●
	Nozzle(Plastic/Metal)	Optional



Smart Seat BID02 – Main Specifications

Model	BID02
Rated Voltage	AC 110V
Rated Frequency	60Hz
Rated Power	1040W
Maximum Power	1200W
Heating Method	Instant heating
Water pressure range	0.07MPa-0.8MPa (Static)
Inlet water temperature	3-35°C
Environment Temperature	0-40°C
Wind Volume	> 0.2m ³ /min
Water volume (Rear wash)	0.45L--0.63L/min
Water volume (Front wash)	0.45L--0.63L/min
Water volume (Nozzle self-cleaning)	0.48L--0.58L/min
Spray type (Buttock wash)	Naturally aspirated gentle wash
Spray type (Women wash)	Naturally aspirated gentle wash
Water temperature	Water temperature (6 levels) (neutral included) (Normal temperature-about 40°C)
Seat surface temperature	Seat temperature (6 levels) (neutral included) (Normal temperature-about 40°C)
Drying temperature	Wind temperature (6 levels) (neutral included) (Normal temperature-about 40°C)
Safety Device	Water temperature sensor, thermostat, temperature fuse, ground protection, leakage protection device, anti frost cracking device, water pressure protection device.
Standard	GB 4706.1-2005\GB 4706.53-2008
Electrical Wire	About 1.6m



BID02 Product Advantages

1. Compatibility



1.1 Product dimension

- Layered seat and lid design.
 - User-centered engineering design.
 - Universal design that can fit most elongated toilets in the market.
- Mounting surface depth only 20 3/4"**

BID02 Product Advantages

1. Compatibility

1.2 V-shape front contour

- Widened arc-shaped outline in front end and more comfortable for sitting.
- Compatible with most elongated toilets in the market.
- Covers toilet ceramic fully to avoid clothes and body touching the toilet. More hygienic.



BID02 Product Advantages

2 Appearance advantage – Slim and light



2019 New technology, shorter seat cover overall height.

The overall height is only 4 1/2", while the height of most smart toilet seats in the market is around 5 1/8"-5 1/2", which is much thicker than BID02.

BID02 Product Advantages

2 Appearance advantage – Simple and good-looking



Simple and modern design, suitable for a variety of bathroom decoration styles. Easy to clean.

BID02 Product Advantages

3. Easy to use One-button manual control

User-centered button design. Easy to use for all ages.

9 different functions in one button



BID02 Product Advantages

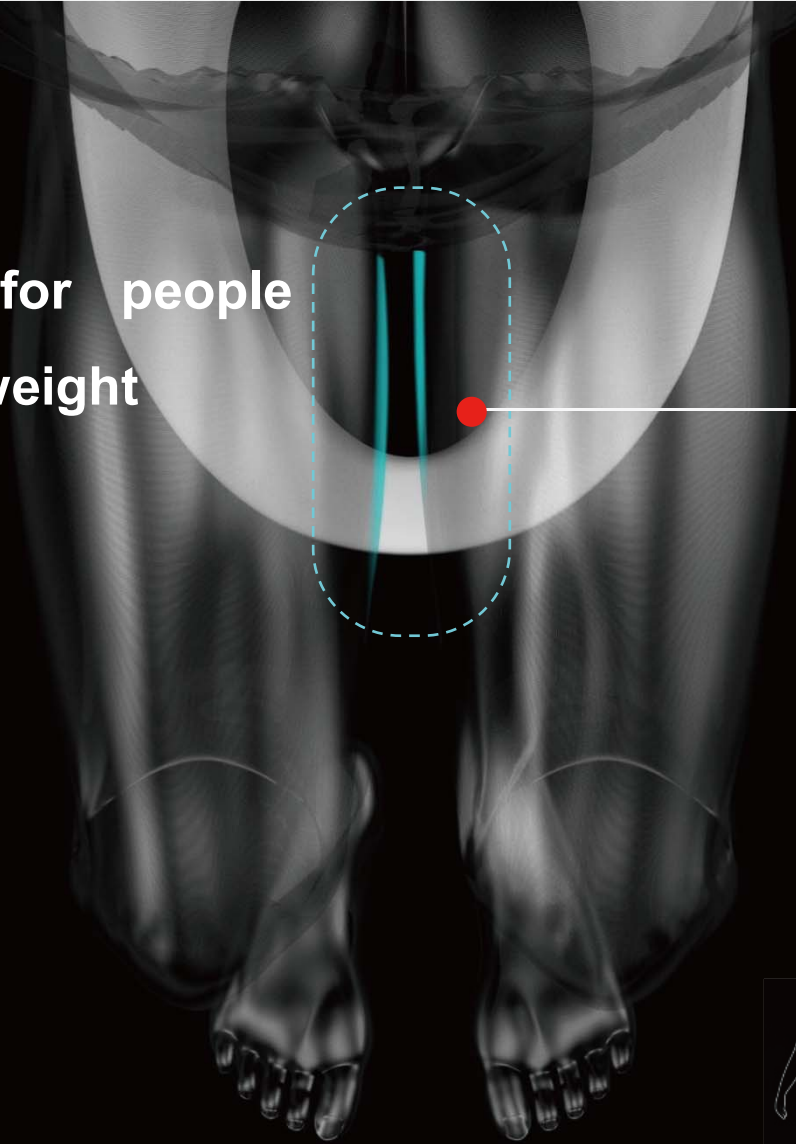


4. Ergonomic seat design

- Wide seating surface
- Arc-shape seating surface, comfortable for sitting
- Big urinal space for man

4. Seat Design

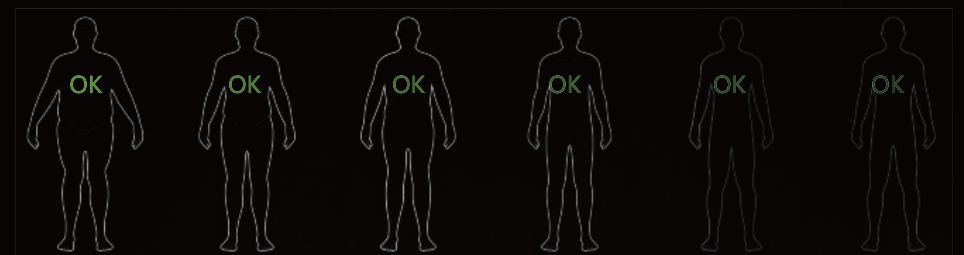
4.1 Suitable for people with different weight



Big urinal space for men

- The BID02 seat is suitable for users with different weight. It's proved that V3200 can be used for users weighing up to 90KG through user experience survey.
- Most current smart seats in the market doesn't have enough urinal space for men or are unsuitable for big users.

User Experience Survey



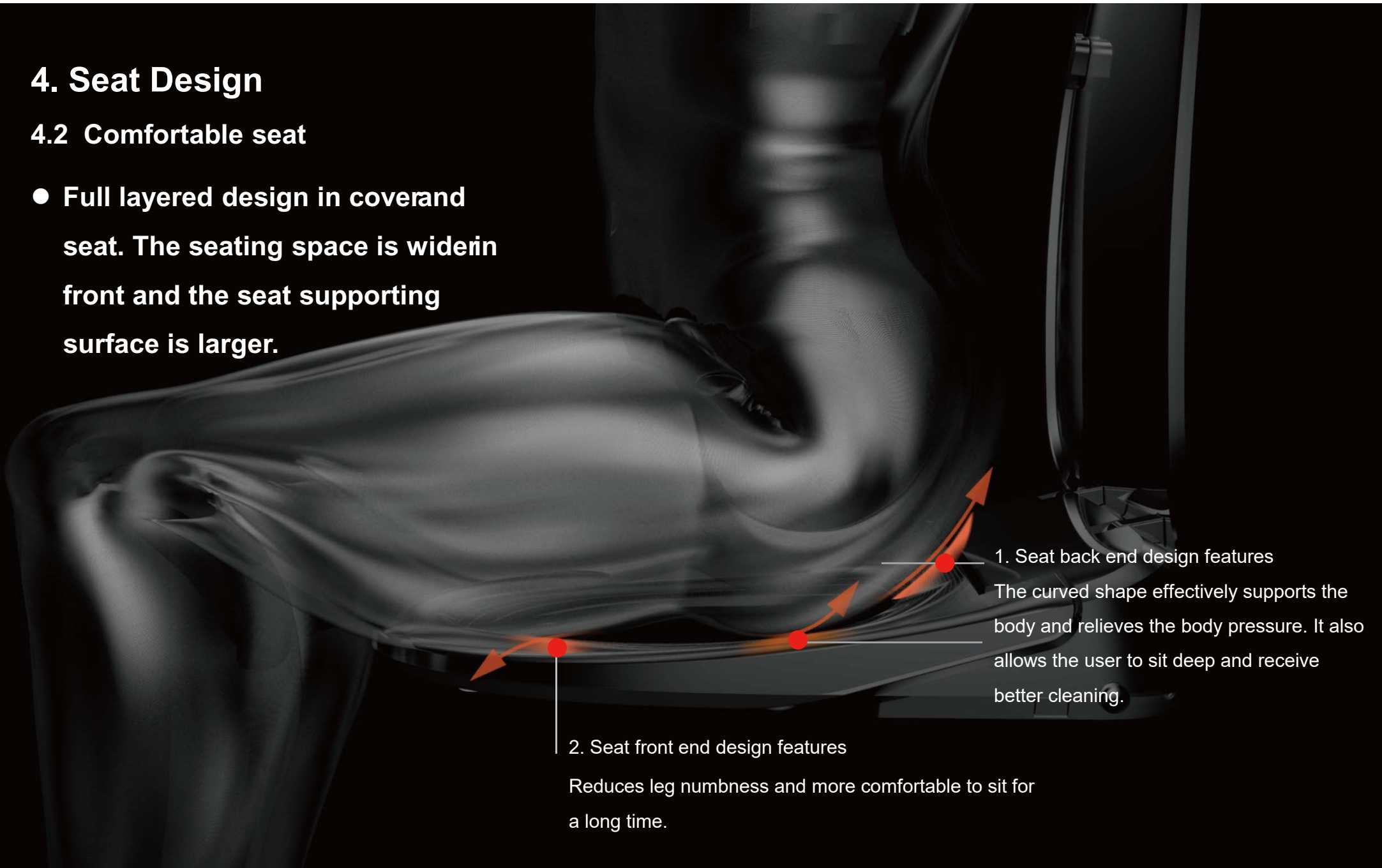
User A
Weight : 85KG
Height: 170CM

User B
Weight 80KG
Height : 170CM

4. Seat Design

4.2 Comfortable seat

- Full layered design in cover and seat. The seating space is wider in front and the seat supporting surface is larger.



4. Seat Design

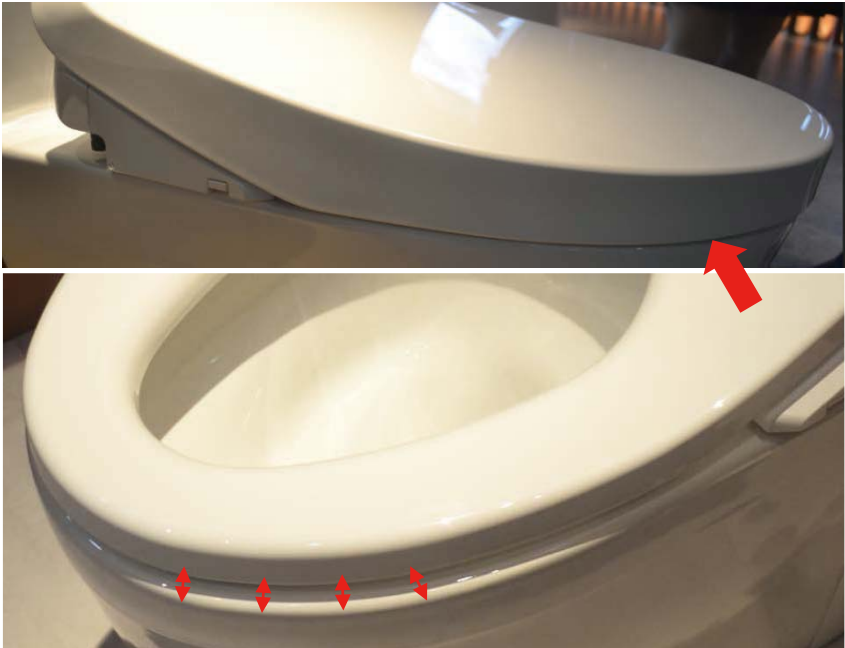
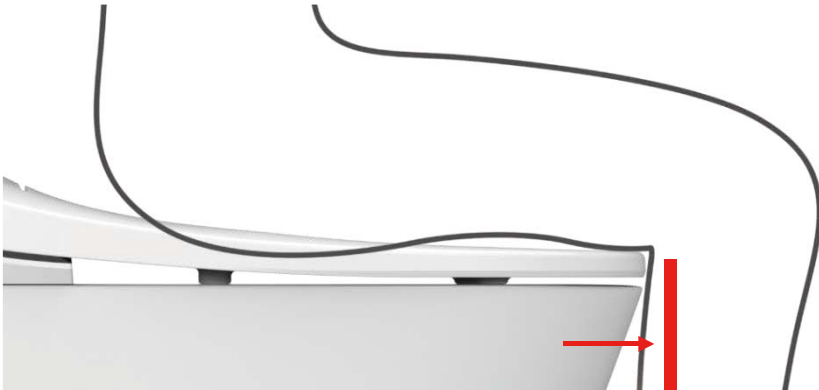
4.3 Full layered design – More convenient and hygienic to use



There's a angle between lid and seat, making it easy to lift and put down.

For most smart toilets in the market, the seat doesn't cover the toilet ceramics fully. It's easy for users to get clothes and body dirty.

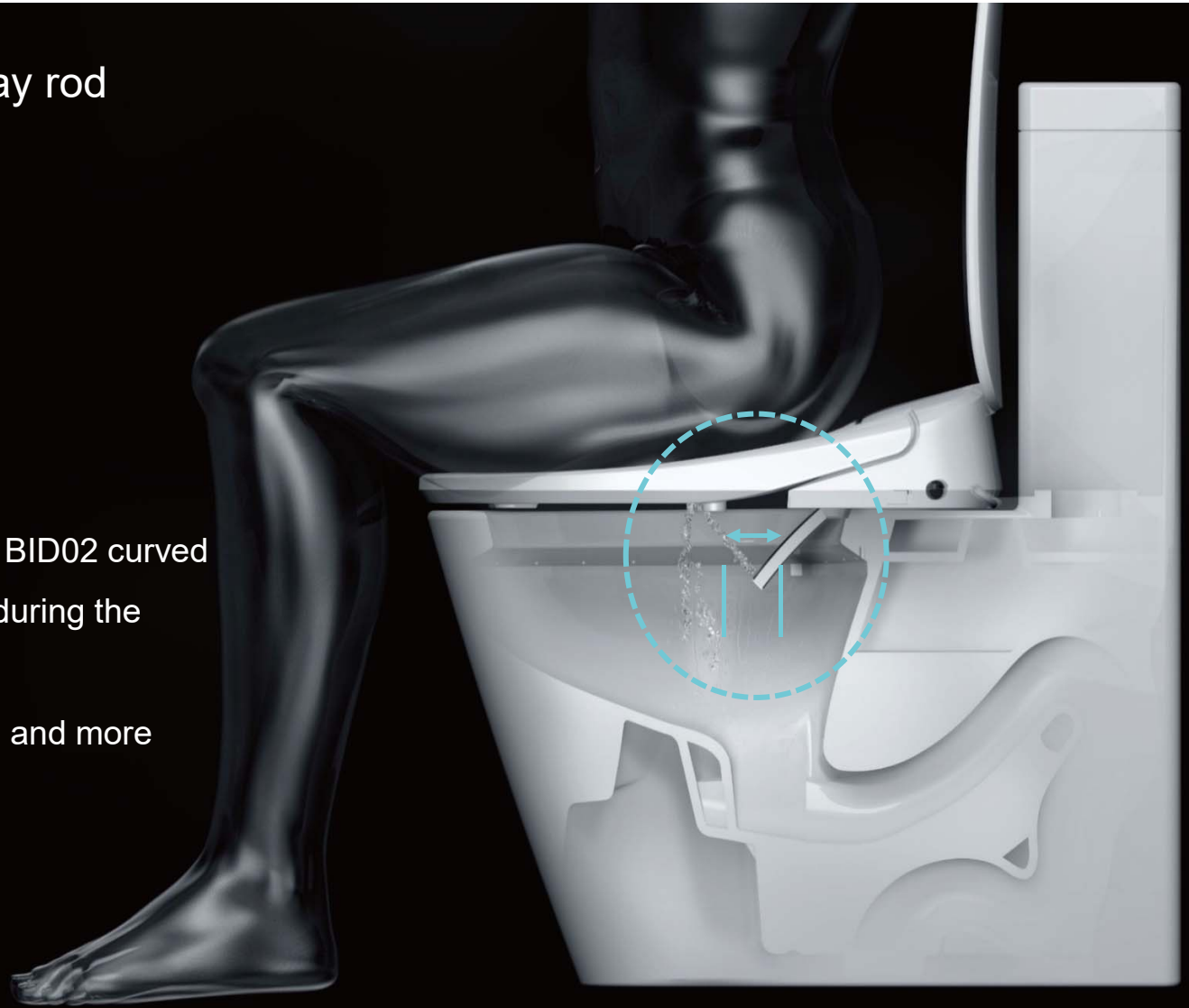
The seat of BID02 protrudes from the edge of the ceramic toilet to avoid user's leg or clothes touching ceramic surface.



5. Curved stainless steel spray rod

Better spray rod

- Compared with straight spray rod, BID02 curved spray rod is away from the waste during the cleaning process.
- The spray rod is not easily stained and more sanitary.

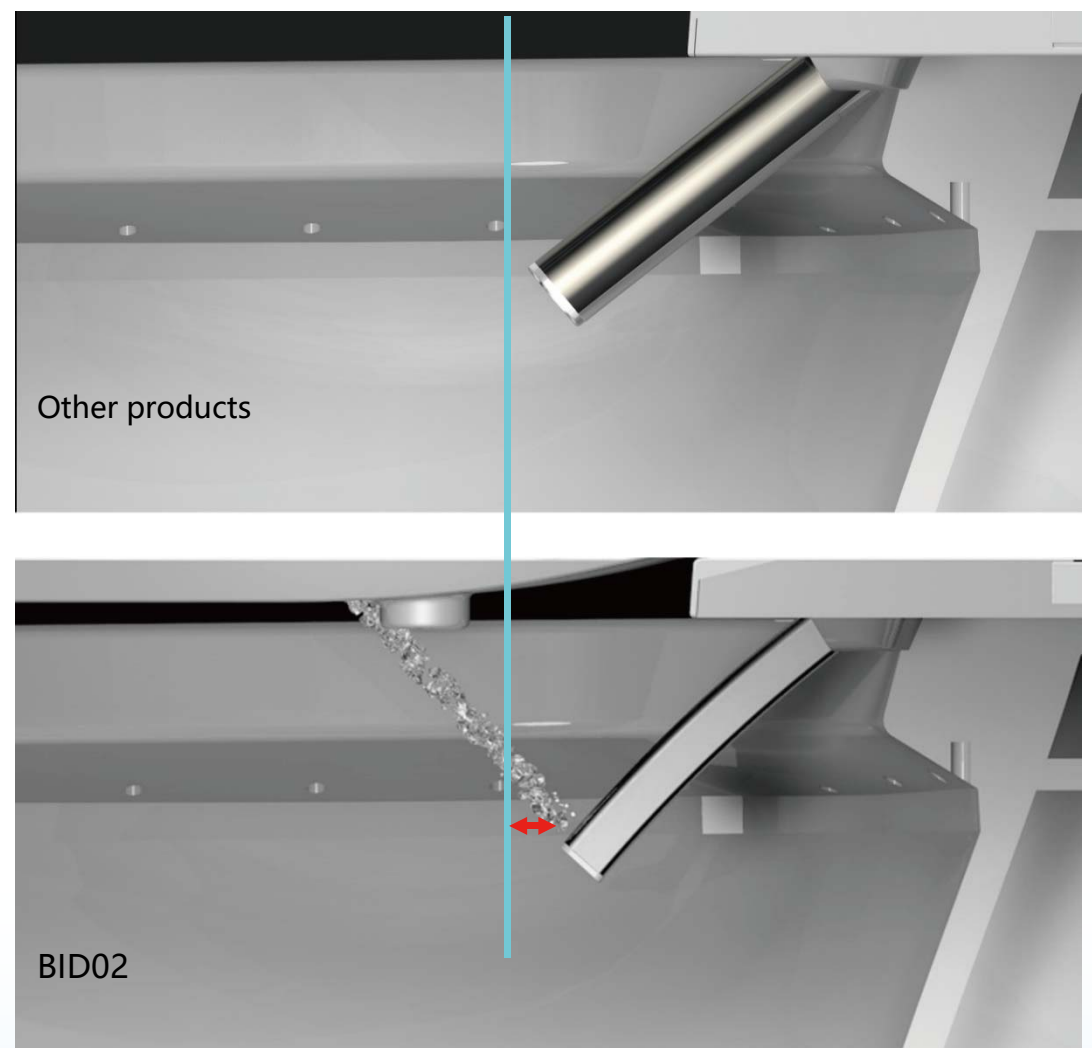


5. Curved stainless steel spray rod

Curved spray rod optimizes the cleaning range, so that the spray rod does not need to extend too long to achieve the same cleaning effect and also the spray rod is further away from waste during use. It is healthier and more hygienic.

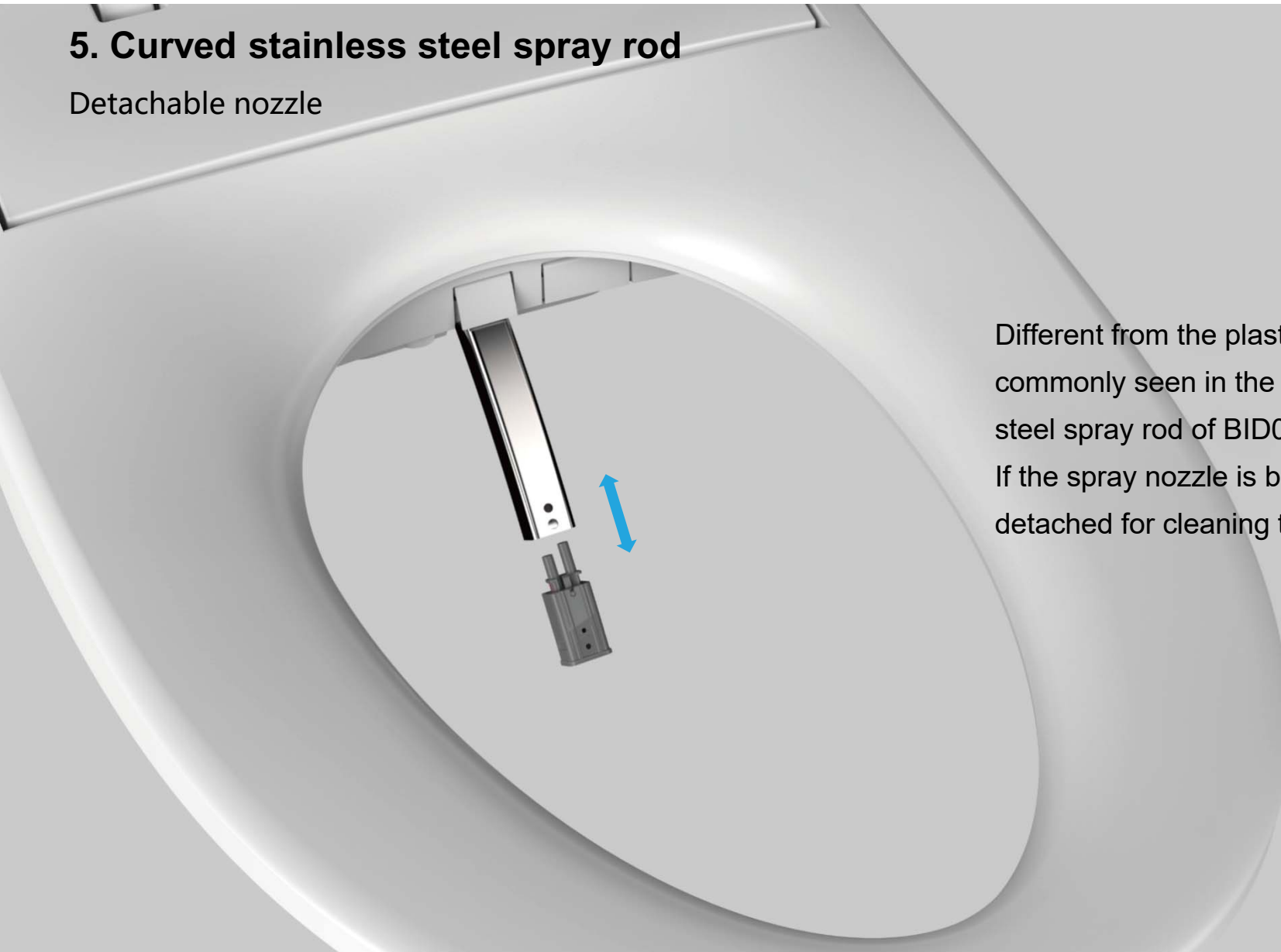
Comparison of spray rod extended distance in level 5 cleaning

The spray rod of BID02 is further away from dirt falling place.



5. Curved stainless steel spray rod

Detachable nozzle



Different from the plastic or metal straight spray rod commonly seen in the market, the curved stainless steel spray rod of BID02 is more hygienic and healthy. If the spray nozzle is blocked, the nozzle can be detached for cleaning to extend product life.

6. Lightless catalyst deodorization

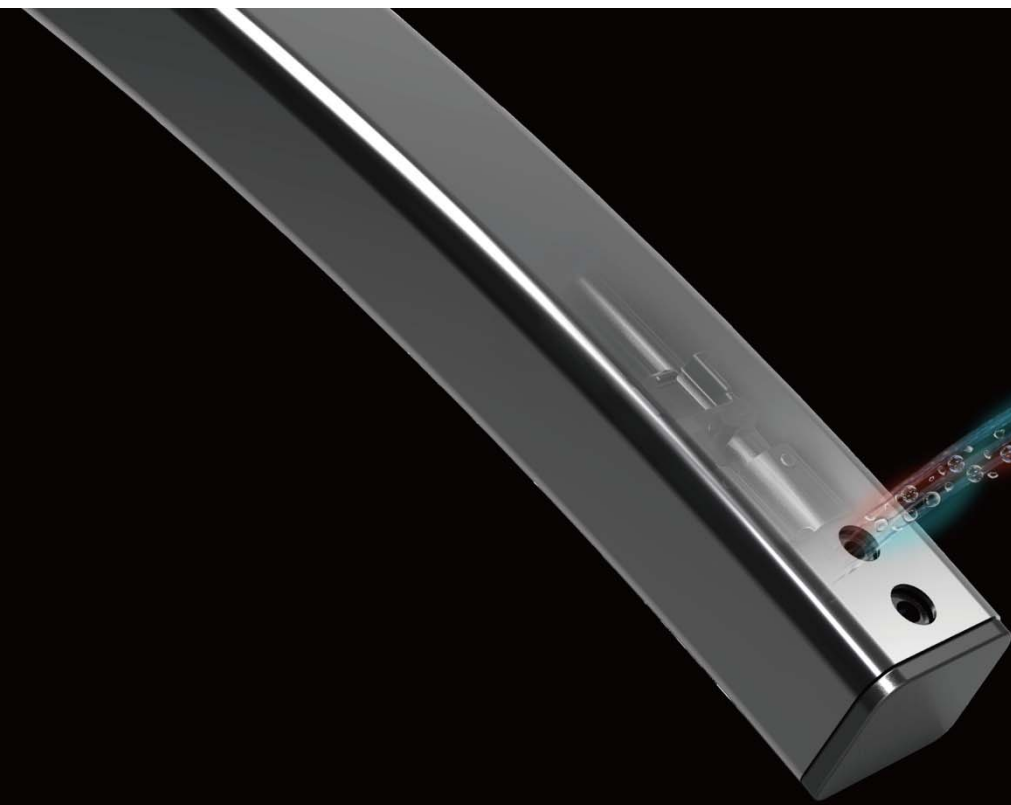
The lightless catalyst can generate a catalytic reaction under lightless conditions, which can largely and continuously eliminate harmful air pollutants and convert pollutants into harmless water and carbon dioxide to achieve deodorization and air purification from the source. It makes the air fresher and compared with activated carbon, the lightless catalyst can be used for a longer time.





7. Pulse massage wash by air pump

BID02 has pulse massage wash function,
which is comfortable and enriches user's
cleaning experience.



8. Warm and cold water cycling wash

- **BID02 has warm and cold water cycling wash function. The stimulation of warm and cold water by turns expands and shrinks blood vessels in buttock, which will increase blood vessel elasticity and its tolerance to outside stimulation, providing you with a healthier way of buttock washing.**

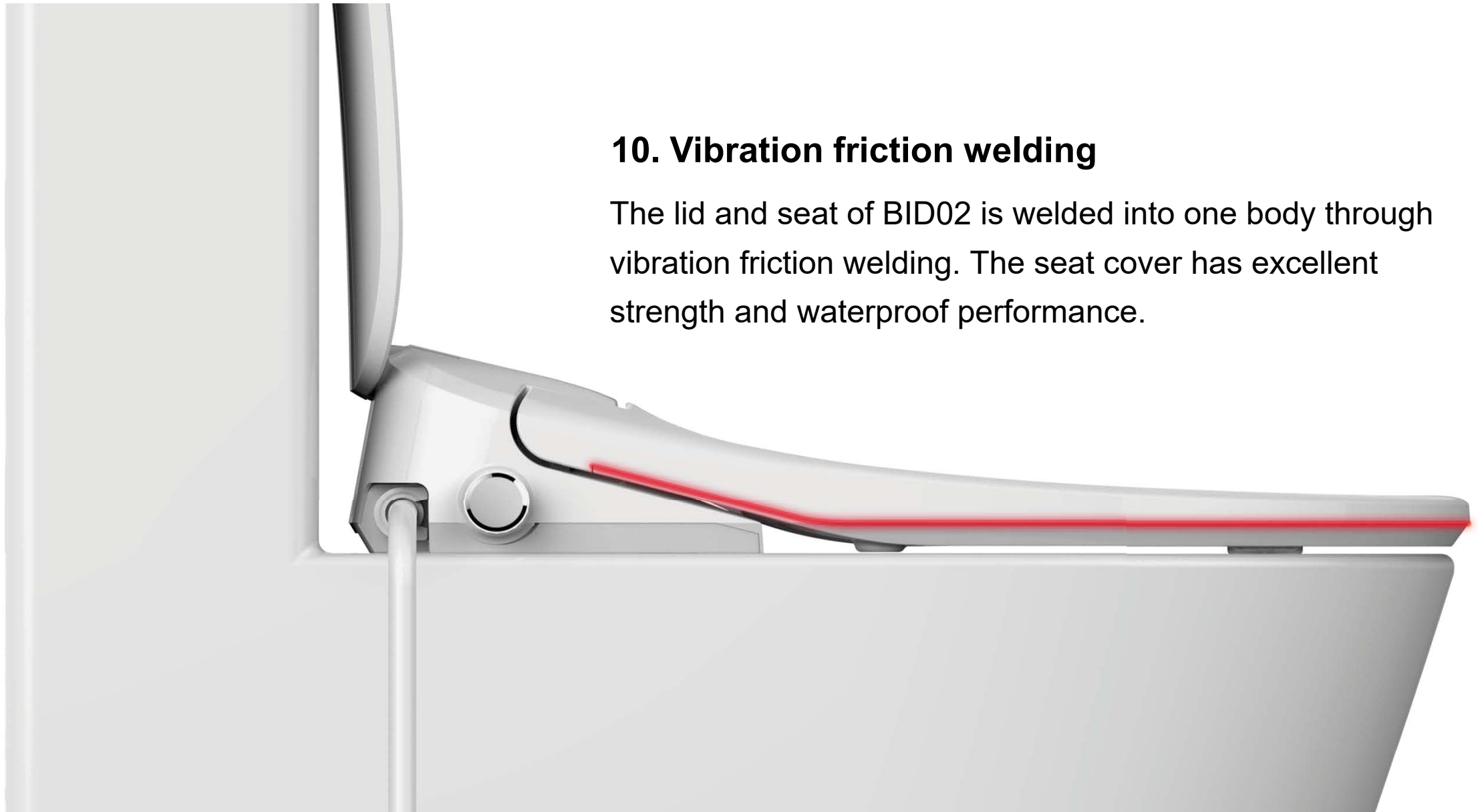
9. Leakage protection wire

Electrical wire 1.6m long, equipped with 10mA leakage protection device to ensure safety.



10. Vibration friction welding

The lid and seat of BID02 is welded into one body through vibration friction welding. The seat cover has excellent strength and waterproof performance.



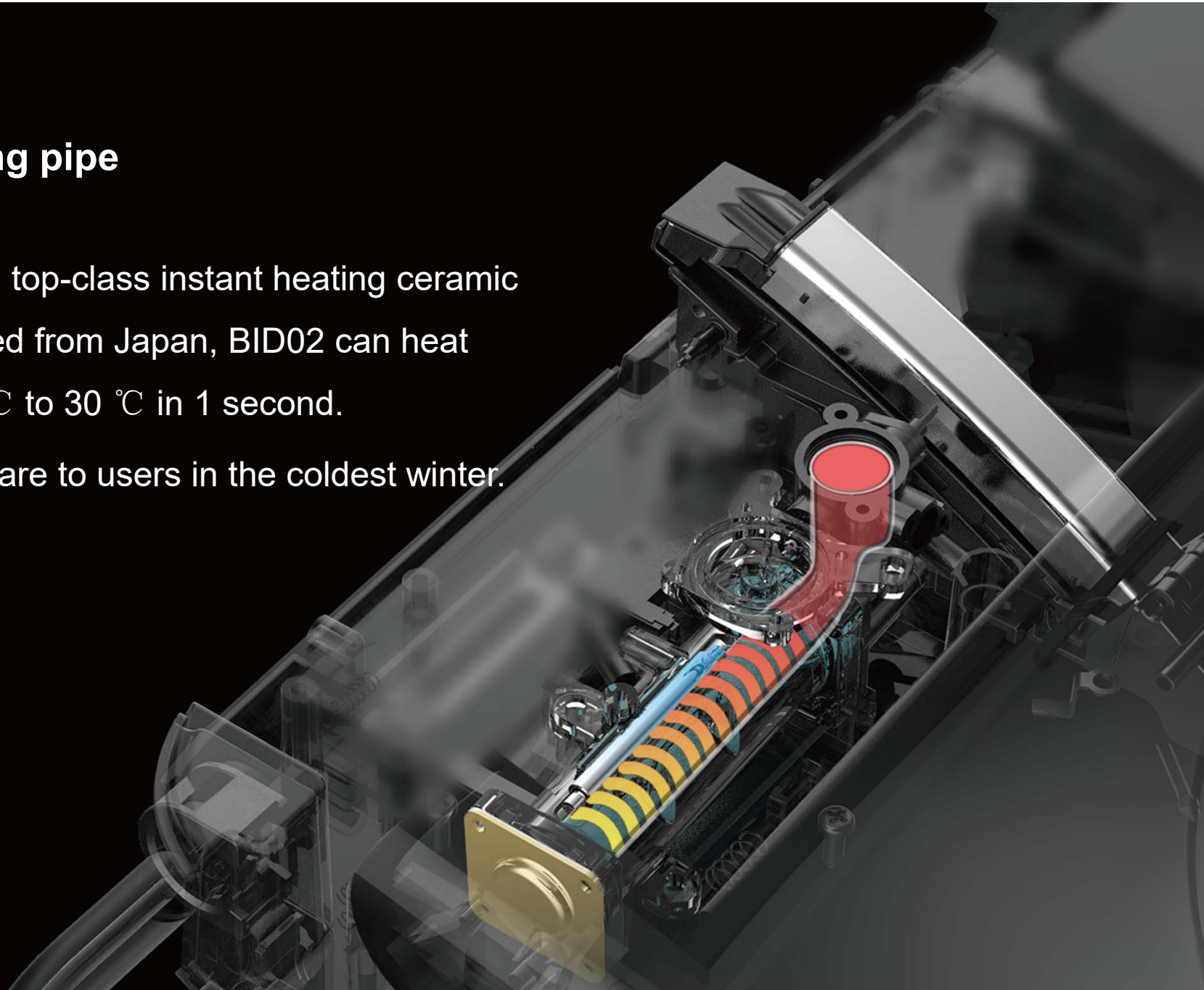


11. Pressure Stabilizing & Pressure release module

The core patented component - pressure stabilizing valve, is equipped with a pressure relief module, which can prevent the waterway from bursting even in the case of pressure stabilizing valve failure. This can prevent consumer property damage caused by leakage and can also protect consumer and property safety in extreme conditions.

12. Top-class heating pipe

- Equipped with world top-class instant heating ceramic heating pipe imported from Japan, BID02 can heat water as cold as 5 °C to 30 °C in 1 second.
- Bring the warmest care to users in the coldest winter.



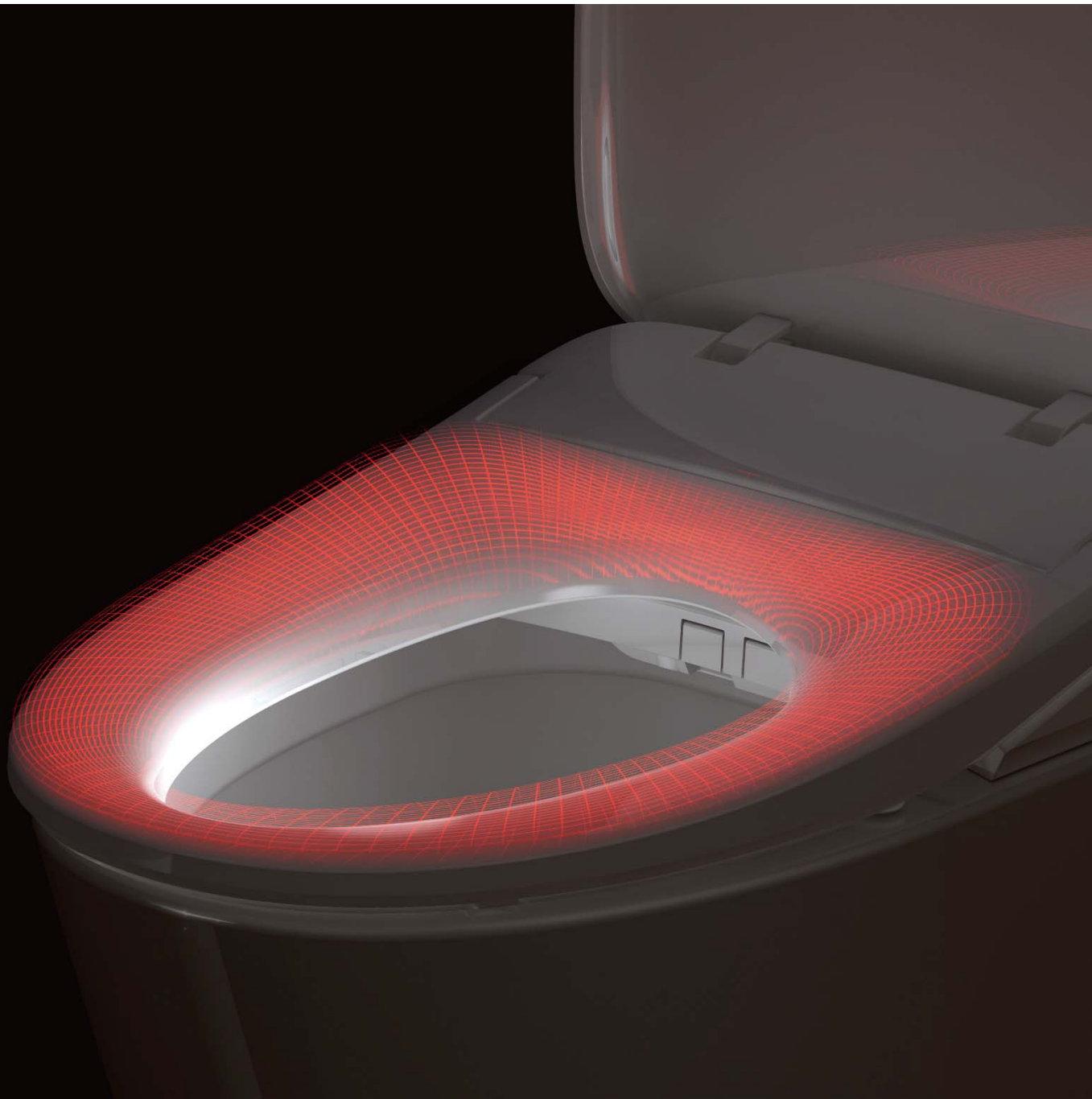


13. Capacitive seating sensor

- **Capacitive seating sensor is embedded in the seat to identify if a person is sitting on the seat. With no person in seat, the nozzle won't spray water by mistake.**

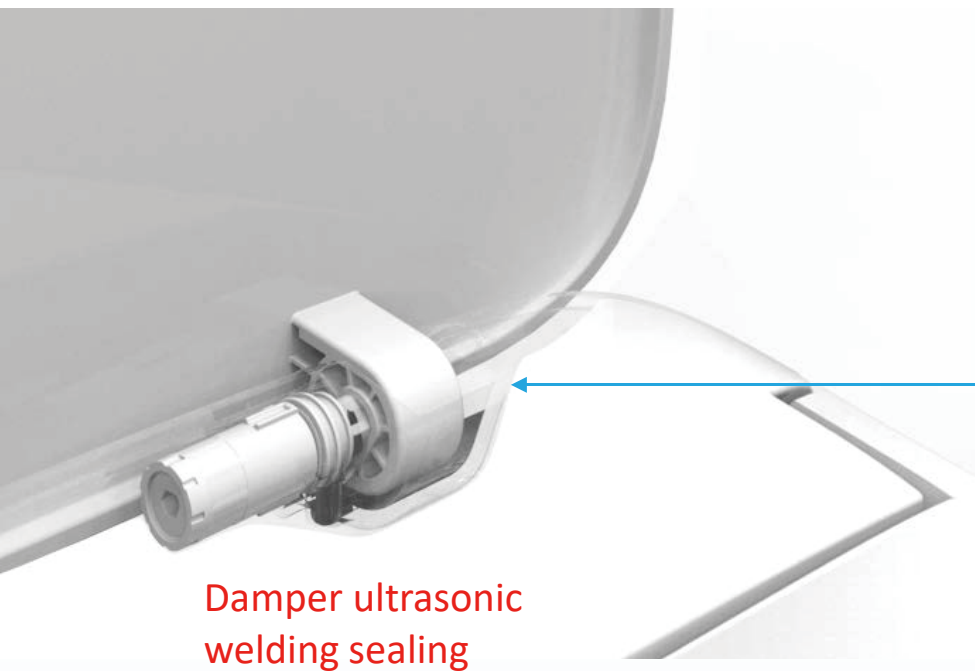
14. Aluminum foil heating film

- The seat is fully equipped with aluminum foil heating film, which distributes heat evenly, stabilizes heat and saves electricity.
- The combination of NTC and temperature fuses gives consumers intimate care and assured protection.



15. Soft closing cover

- Unique patented soft closing seat cover
- Superior soft closing function. WOODBRIDGE ultrasonic welding sealing damper **KO** other screw-locked sealing dampers in the market in aspects of preventing oil leakage and function failure.



16. Direct plug-in connector

- Different from the threaded inlet connector of other products on the market, WOODBRIDGE BID02 uses direct plug-in connector and clamp to fix water inlet tube, which makes the disassembly and assembly faster and easier.



17. Soothing night light design

Use **warm white** for night light, which makes the lighting more pure and peaceful at night.

Under ECO mode, the manual button is in **breathing light** mode, showing its location.



18. Anti-freeze



Operating principle:

When water freezes at 0°C , it'll expand and increase its volume, which will put pressure on the plastic wall and crack it.

WOODBIDGE anti-freeze function prevents cracks through smart design in instant heating assembly. This feature is rarely found in other smart seats in the market.

Target environment:

Logistics transportation

Seat left unused for a long time under low room temperature

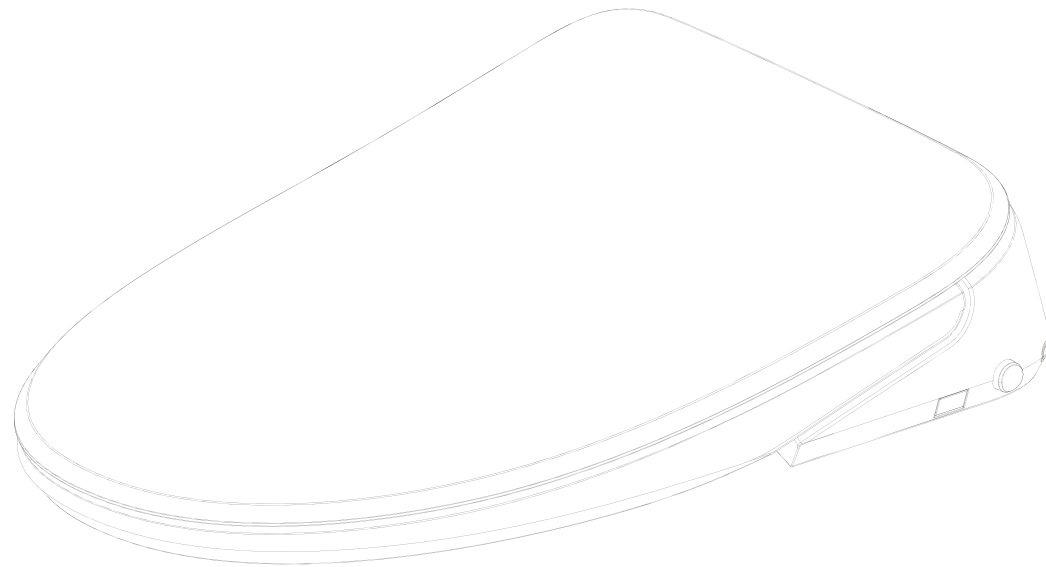
19. Remote Control

- IPX7 Waterproof
- Practical one-hand remote control
- Comfortable touch in hand



WOODBIDGE[®]

BID 02 ELECTRONIC TOILET SEAT



Customer Service Phone: 562-229-0088. (Monday - Friday 9 AM - 5 PM Pacific Time)

Or Email: help@woodbridgebath.com