

INSTALLATION INSTRUCTIONS

THANK YOU FOR CHOOSING OUR PRODUCTS !

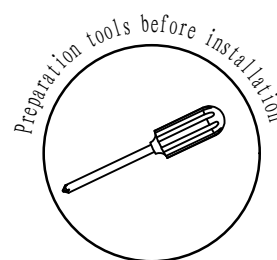
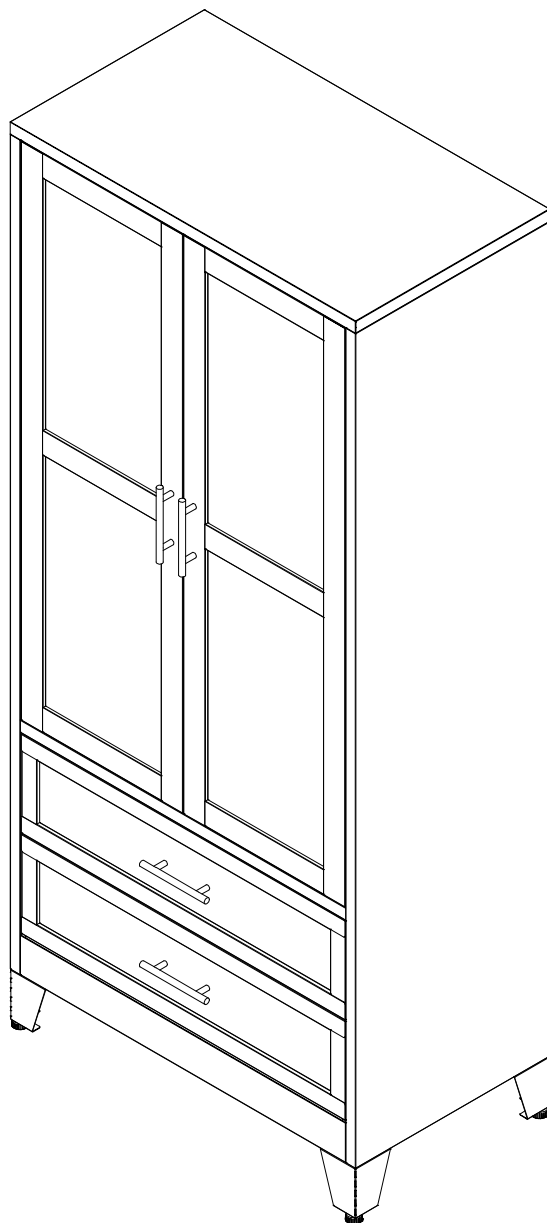
Before Assembly:

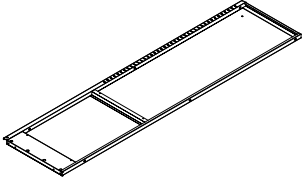
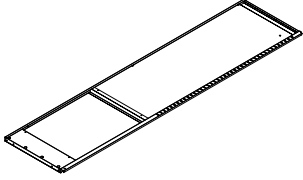
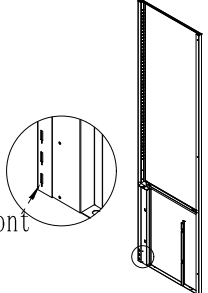
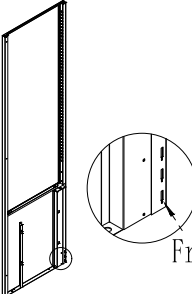
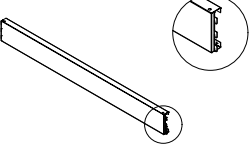
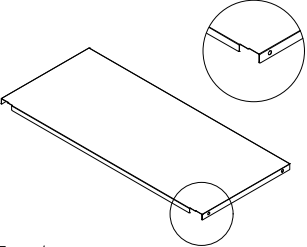
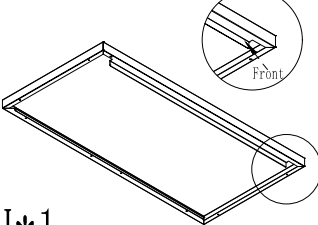
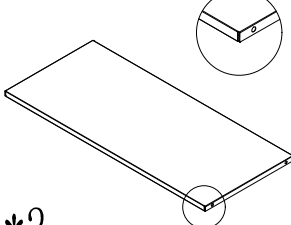
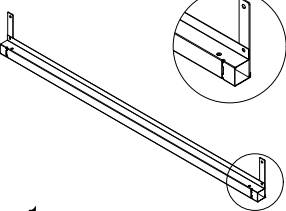
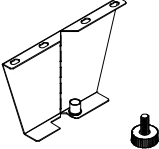
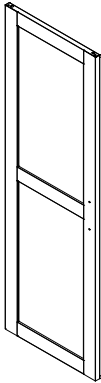
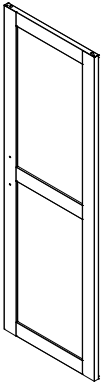
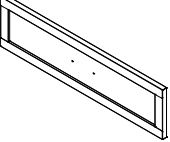
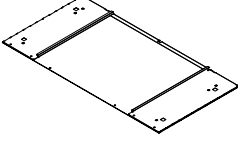
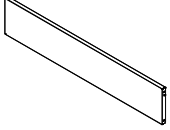
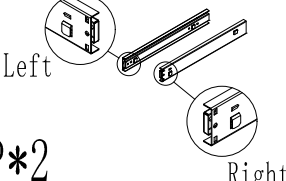
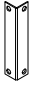



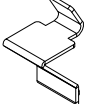
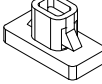



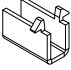
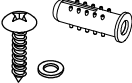

1. Please confirm the completeness of the components and the parts according to the Parts Diagram. If you have any question, Please contact with us on Amazon and our Professional Customer Service Team will approve all you need within 24 hours.
2. It's not too difficult to assemble, But it will be easier if there is another one assemble it with you.

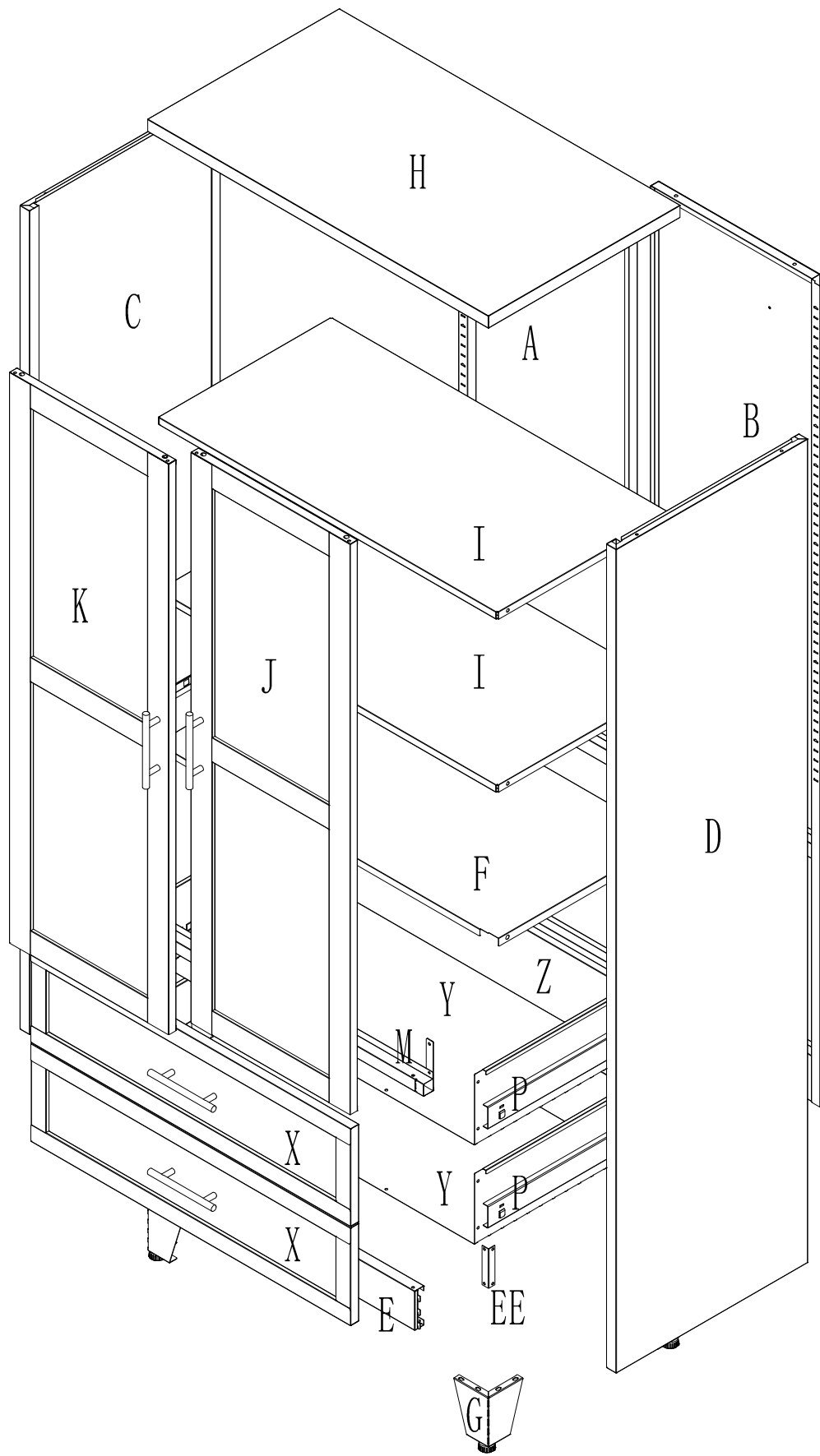
During Assemble:

1. Please pay attention that some components may be a little sharp, Take care.
2. During assembly, please fix the screws temporarily and tighten them at last.

Tips: You can also check videos of installation on Amazon.

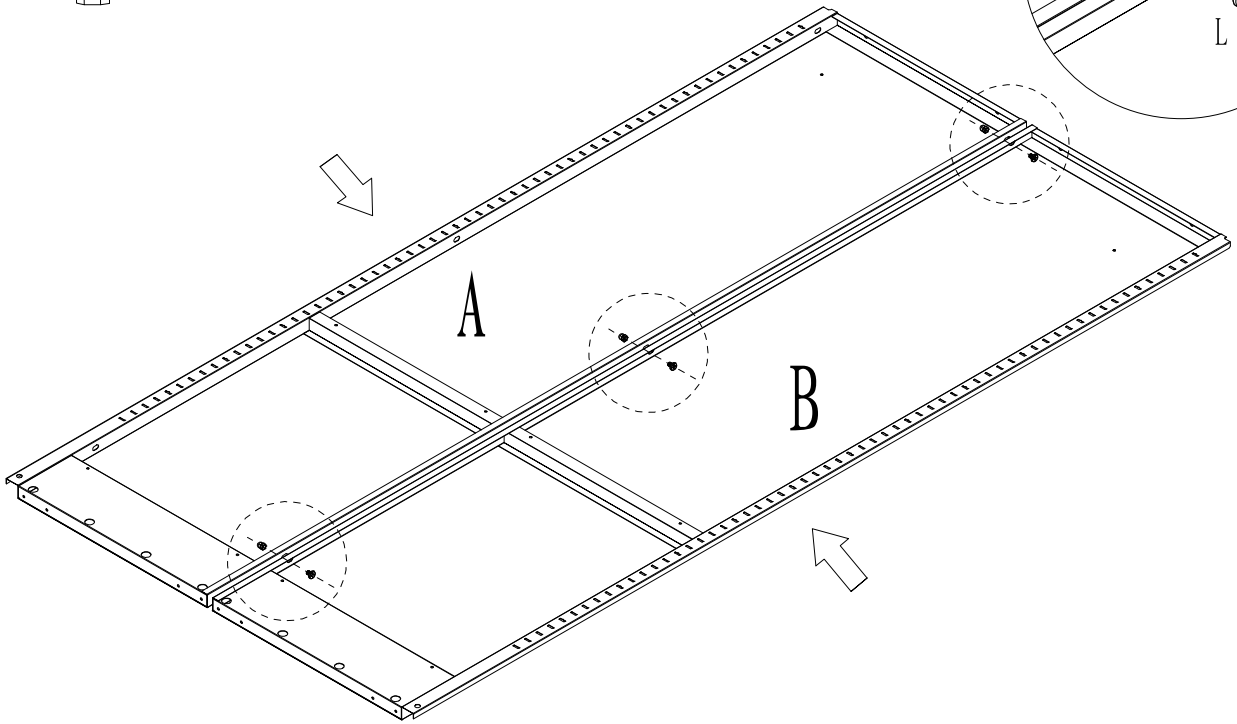
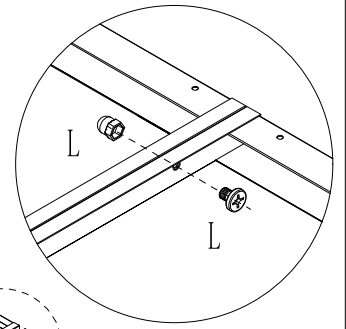


 <p>A*1</p>	 <p>B*1</p>	 <p>C*1</p>	 <p>D*1</p>	
 <p>E*1</p>	 <p>F*1</p>	 <p>H*1</p>	 <p>I*2</p>	
 <p>M*1</p>	 <p>G*4</p>	 <p>K*1</p>	 <p>J*1</p>	
 <p>X*2</p>	 <p>Y*2</p>			
 <p>Z*2</p>	 <p>Left Right</p> <p>P*2</p>	 <p>EE*2</p>	 <p>L*3</p>	
 <p>S*2</p>	 <p>N*48</p>	 <p>O*8</p>	 <p>Q*4</p>	 <p>R*8</p>
 <p>U*4</p>	 <p>UU*4</p>	 <p>V*8</p>	 <p>W*2</p>	 <p>T*4</p>



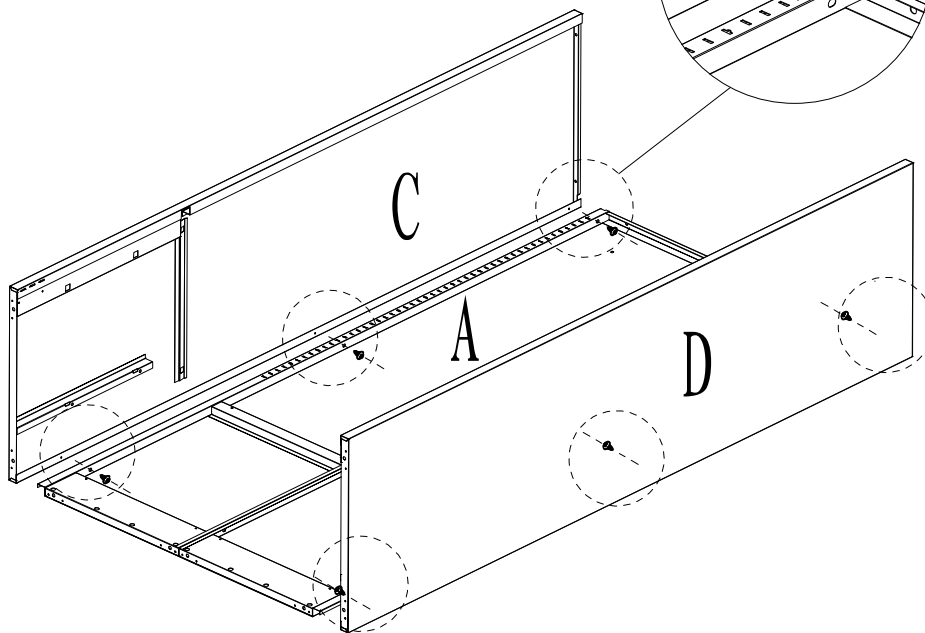
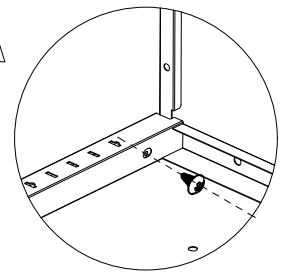
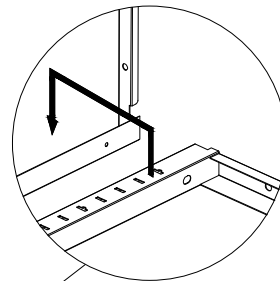
1

L*3



2

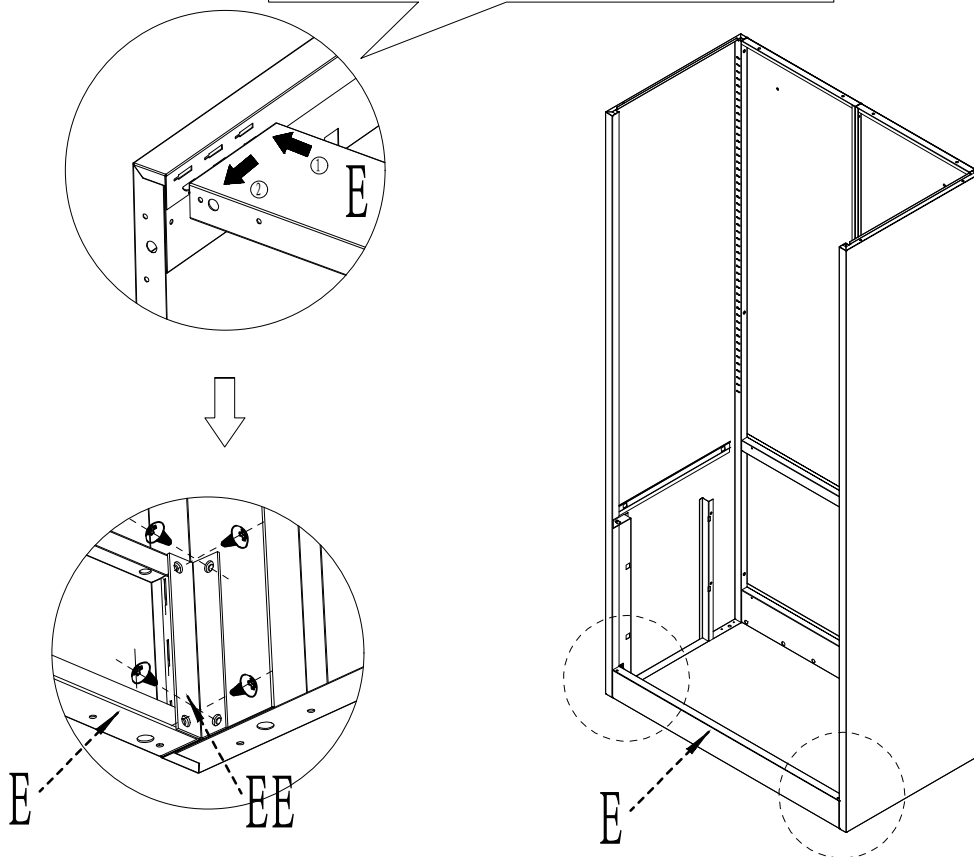
N*6



3

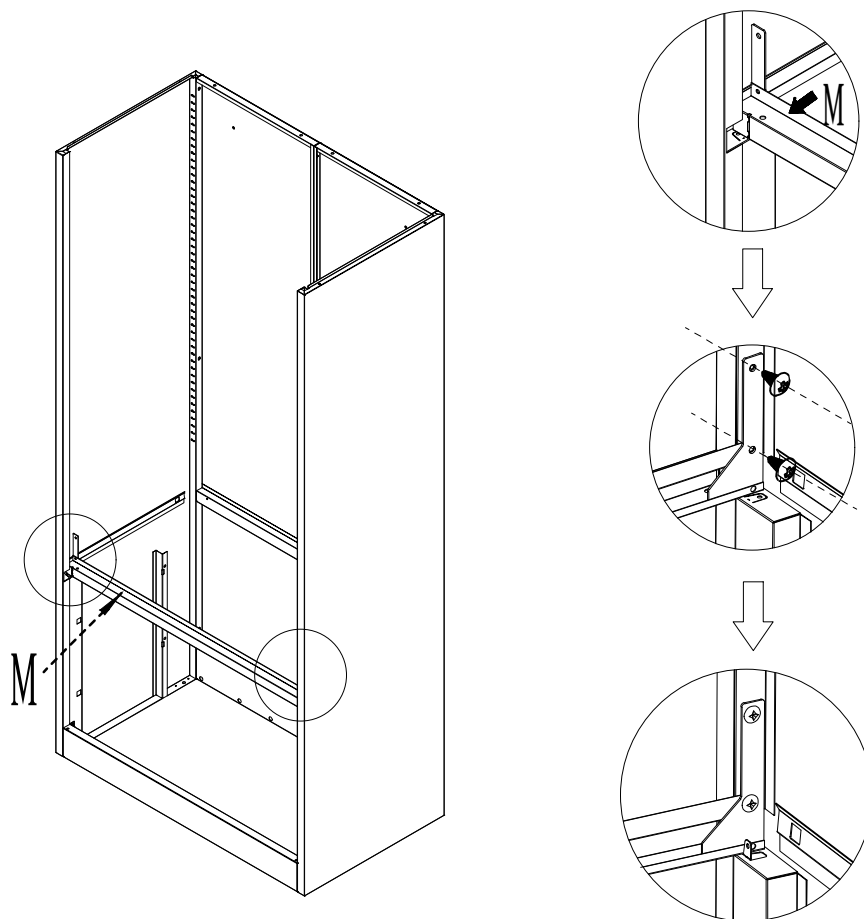
N*8 

Snap the three buckles on either side of Part E into the three holes in both side panels and then push it down so that it snaps into the bottom of the cabinet.



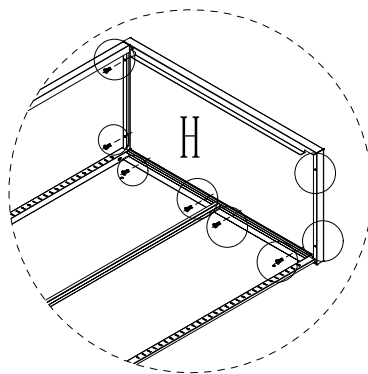
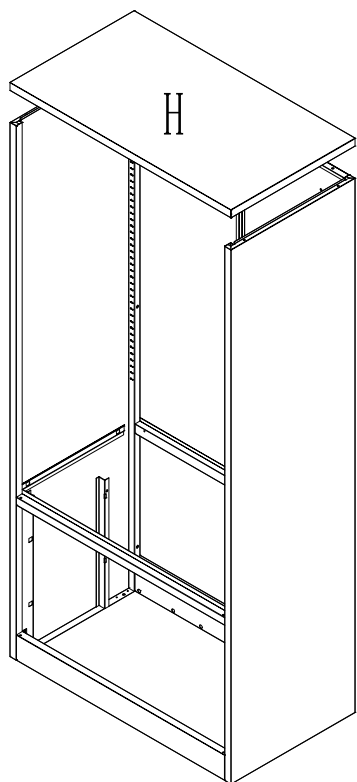
4

N*4 




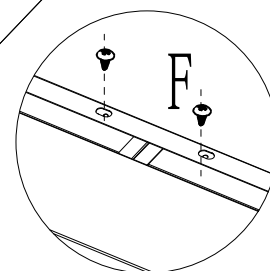
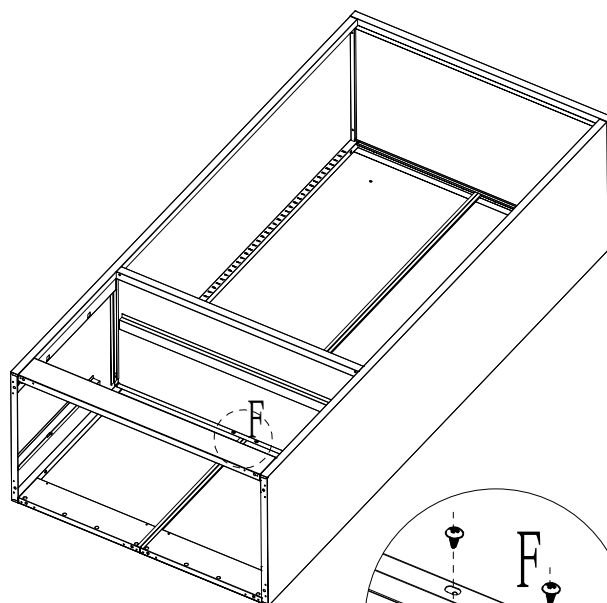
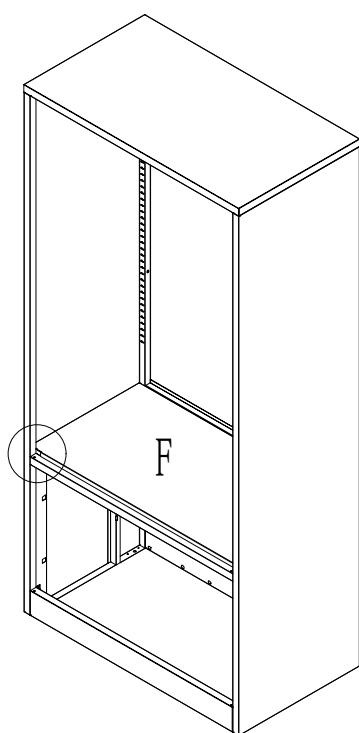
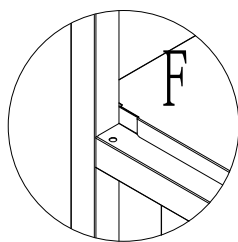
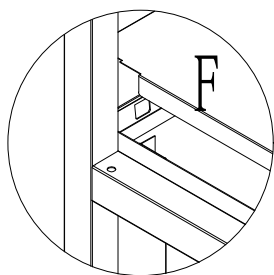
5

R*8 



6

N*2 

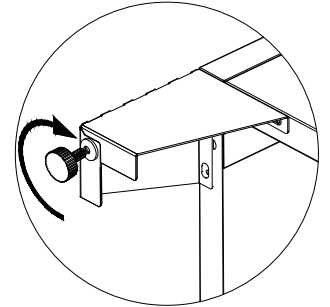
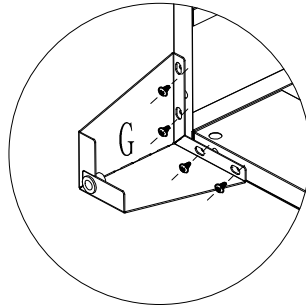
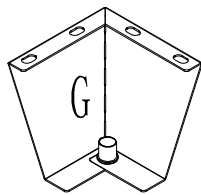
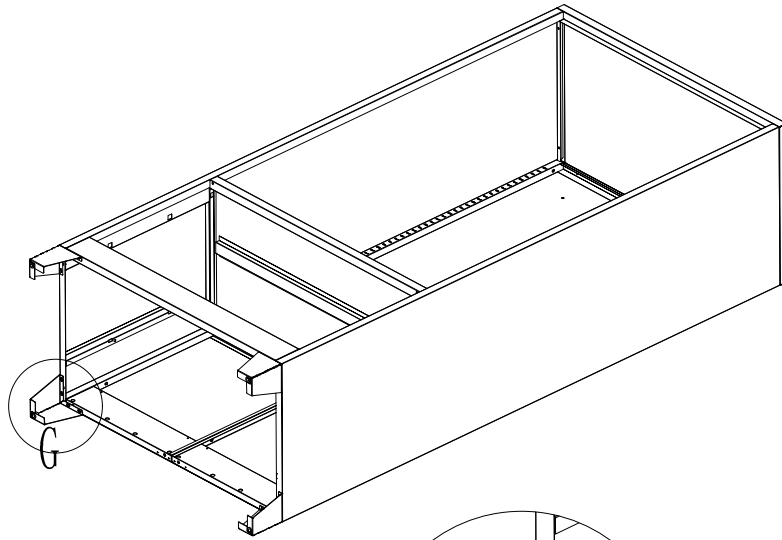
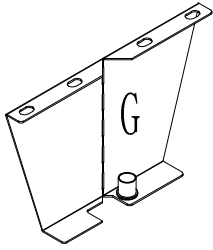
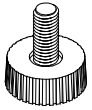


7

N*16



G*4



If you think it looks better without the standing corner, you can choose to skip this step (7)

8

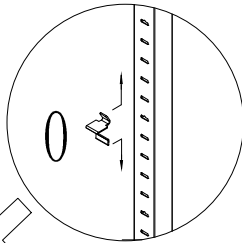
O*8



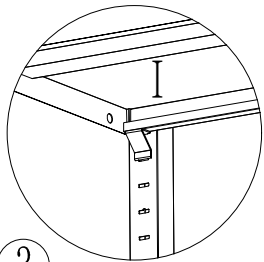
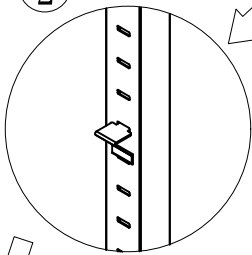
V*8



1

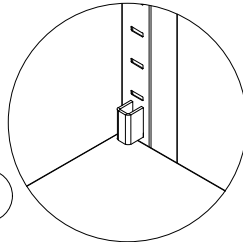


2

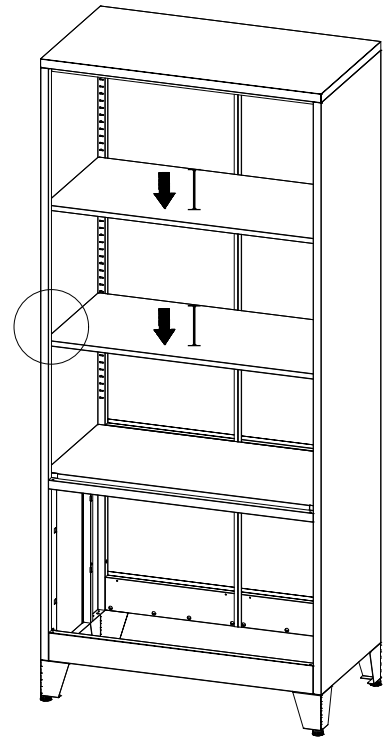
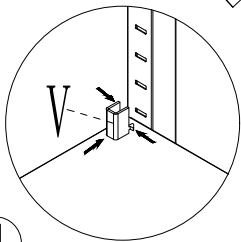


3

5

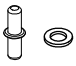


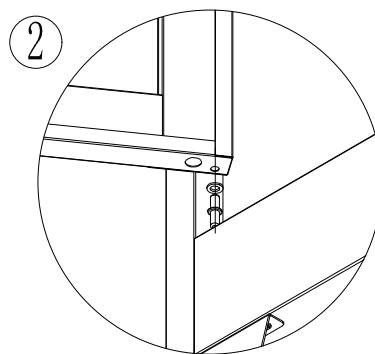
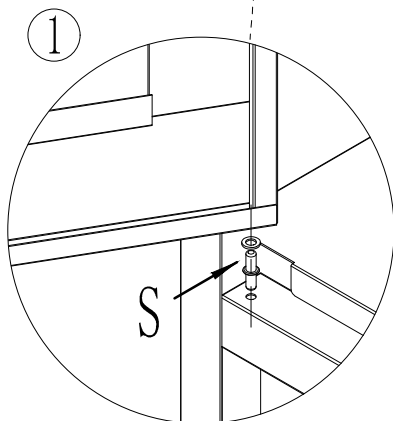
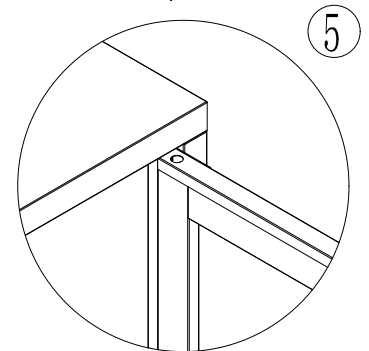
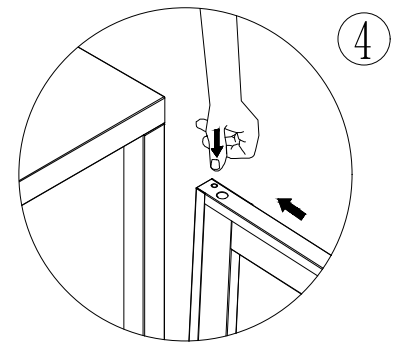
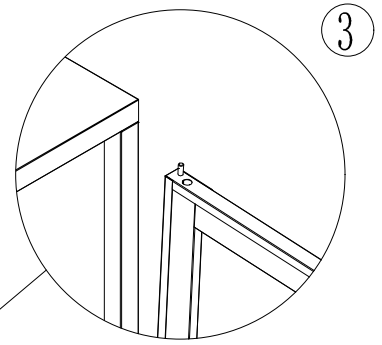
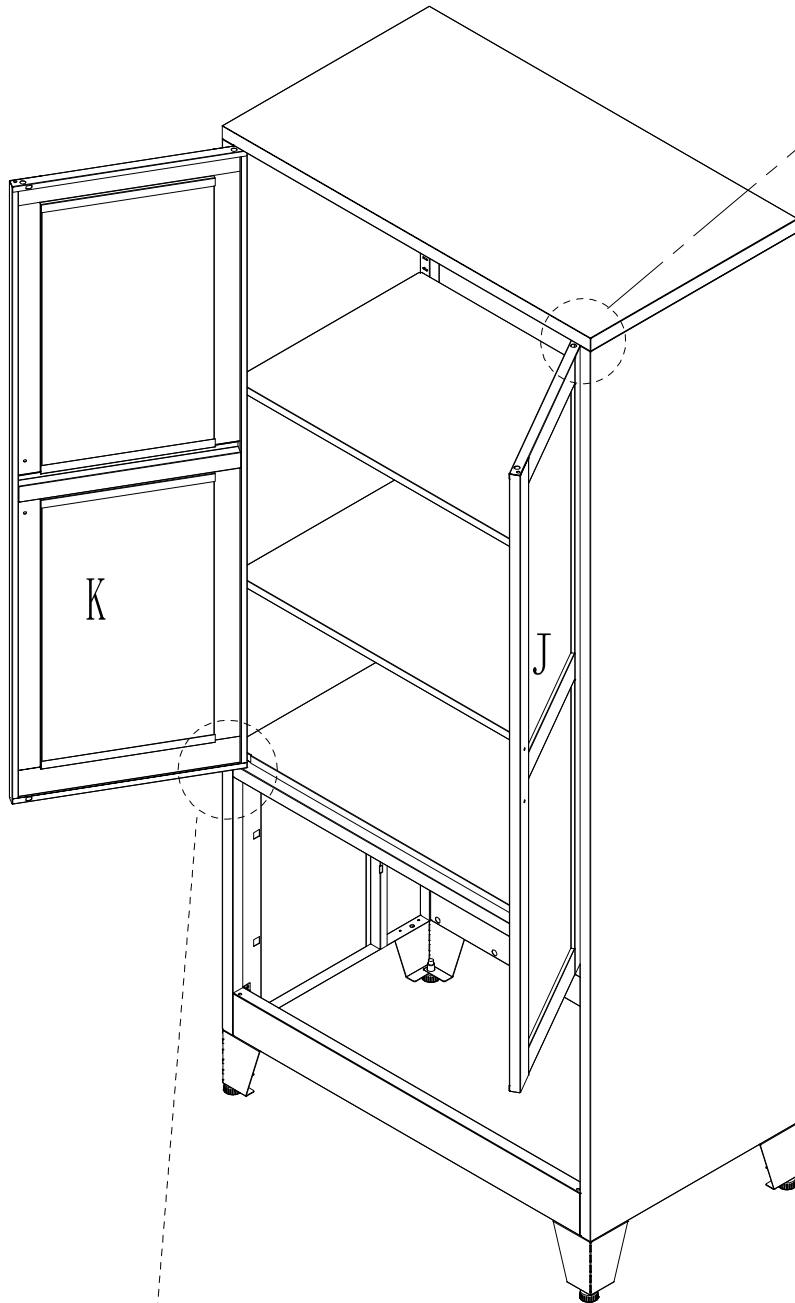
4



To install plastic grid latches, hold the holes on both sides of the latches to secure the grid

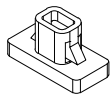
9

S*2 



10

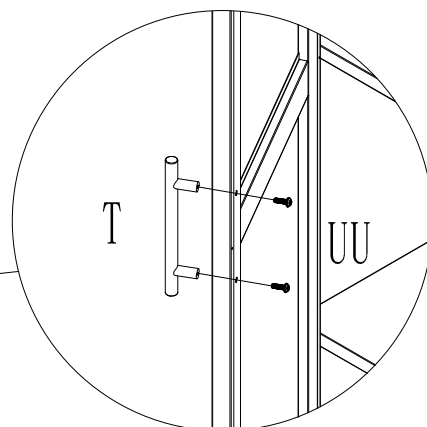
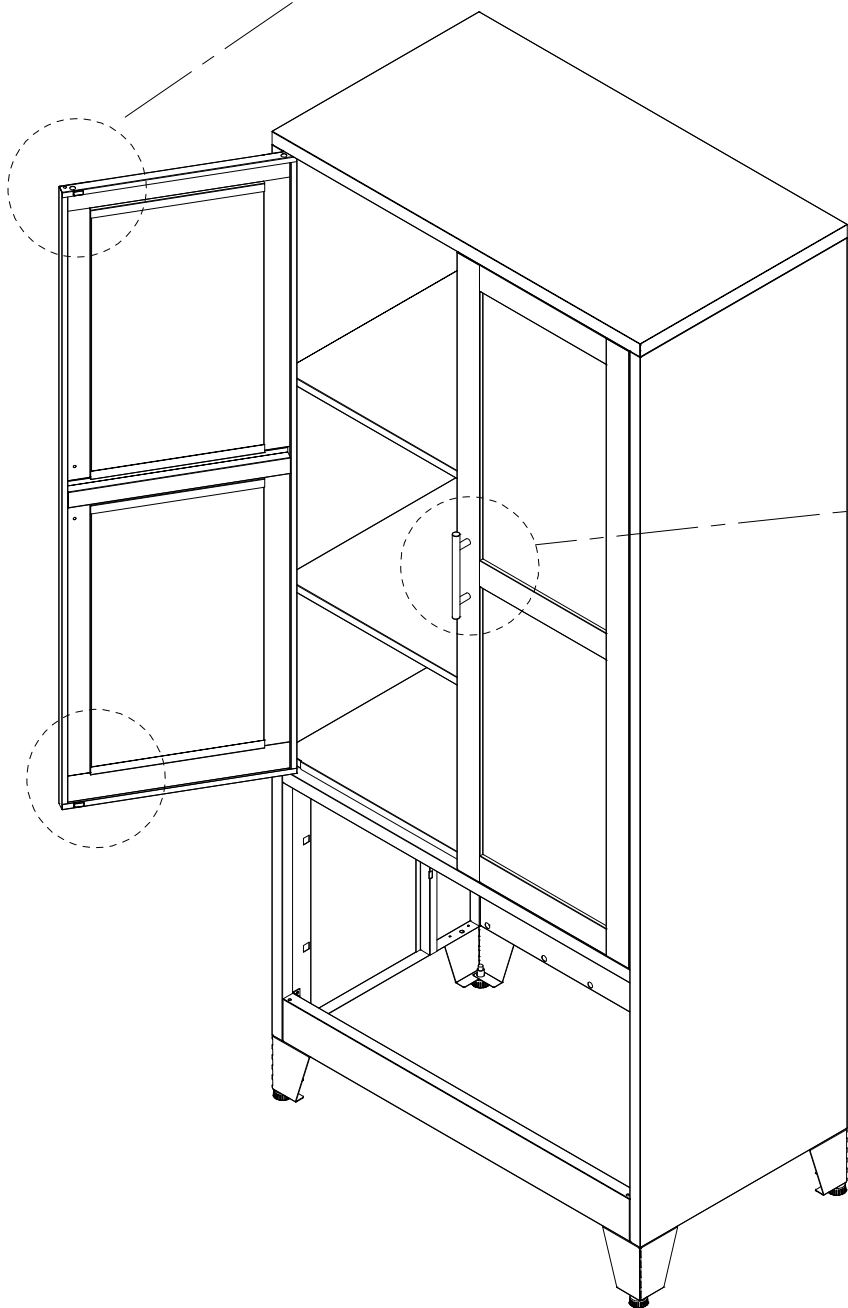
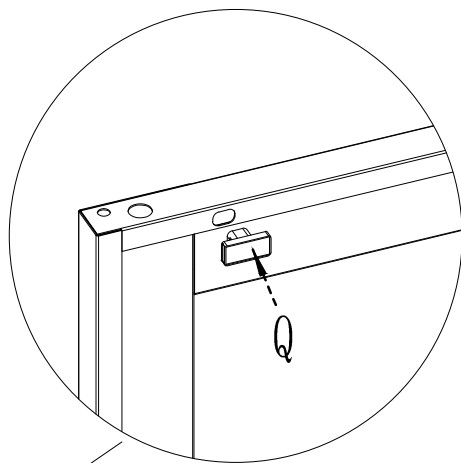
Q*4



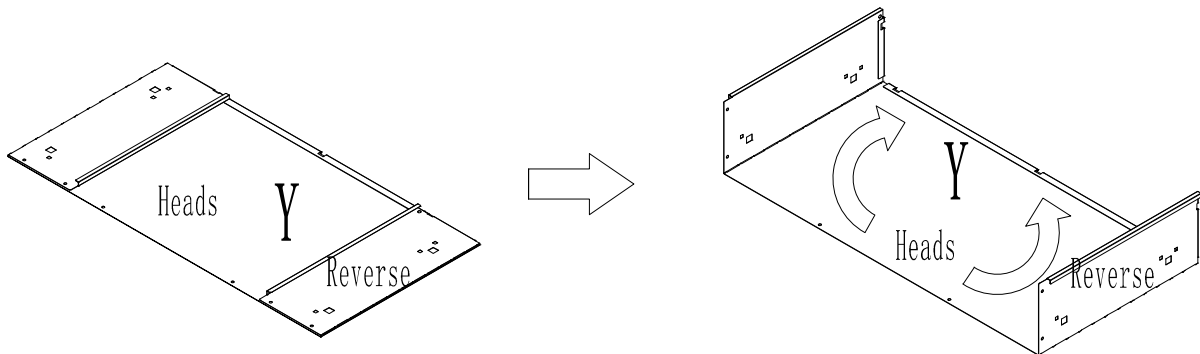
T*2



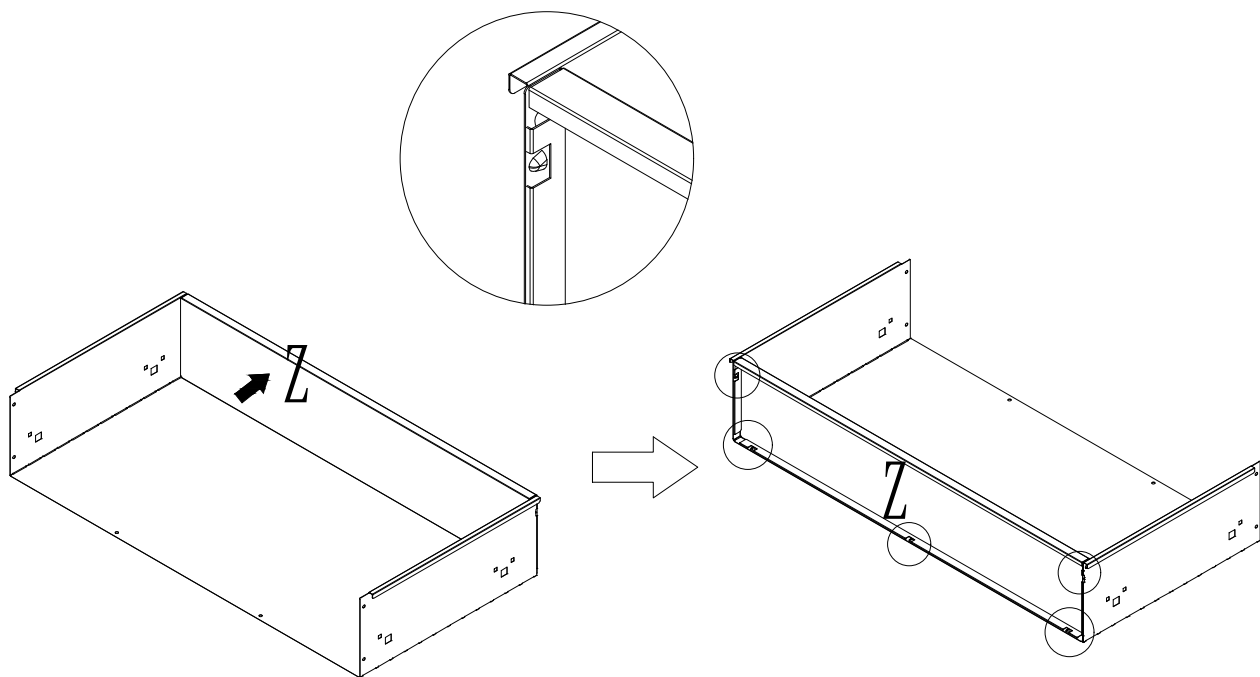
UU*4




11

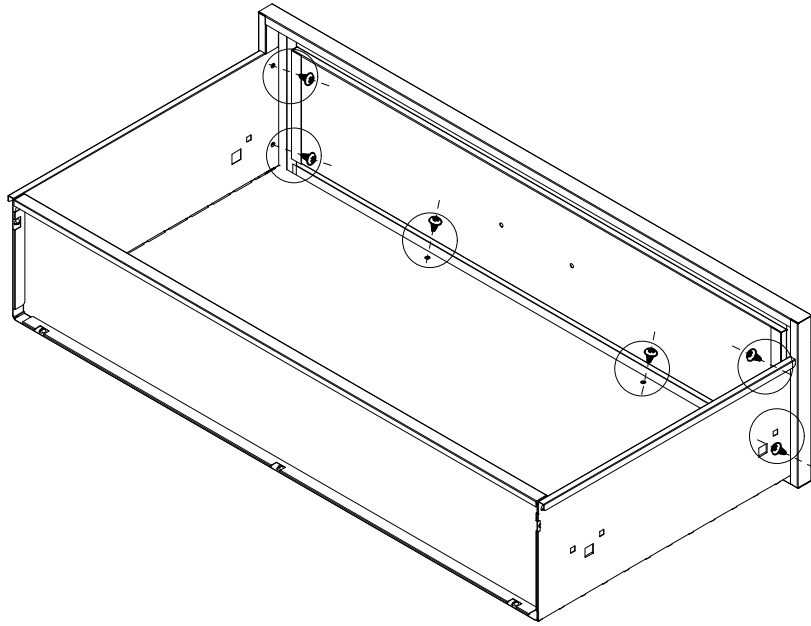


12



13

N*12 

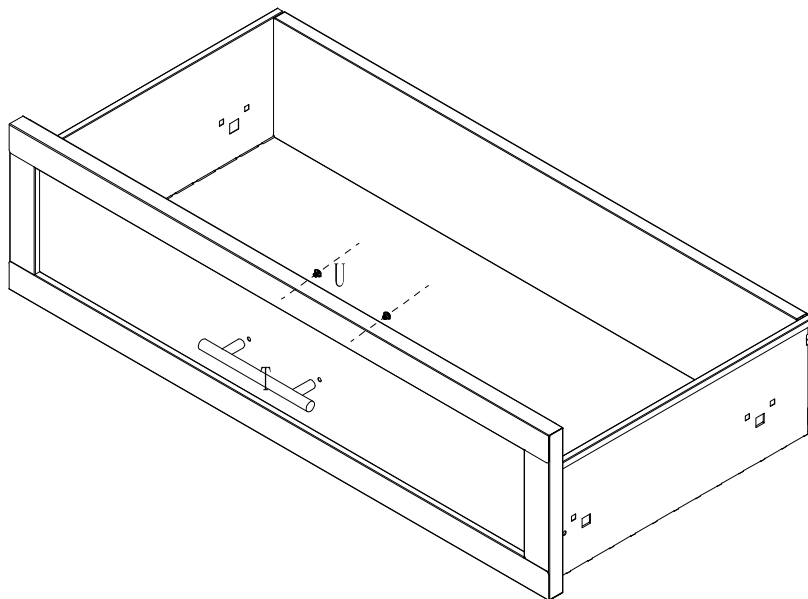


14

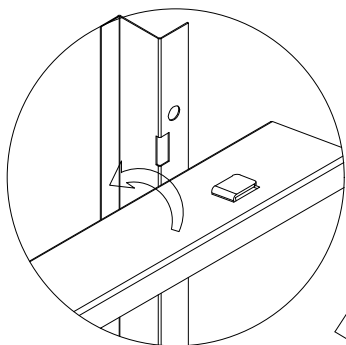
T*2



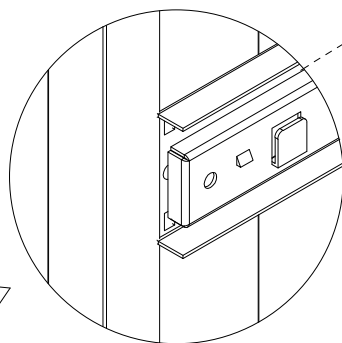
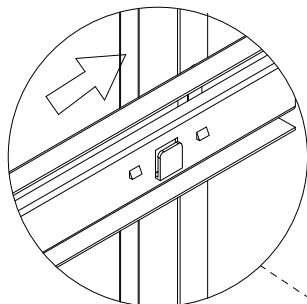
U*4



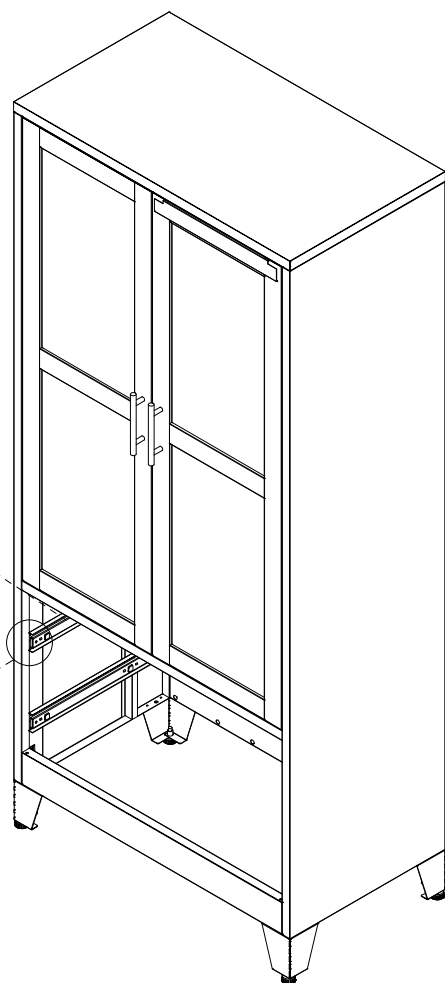
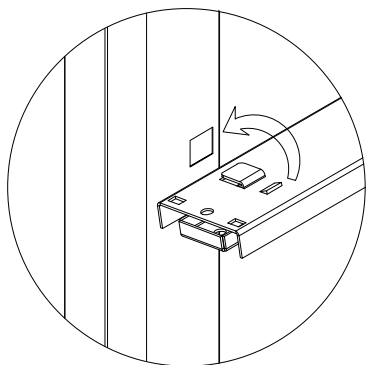
15



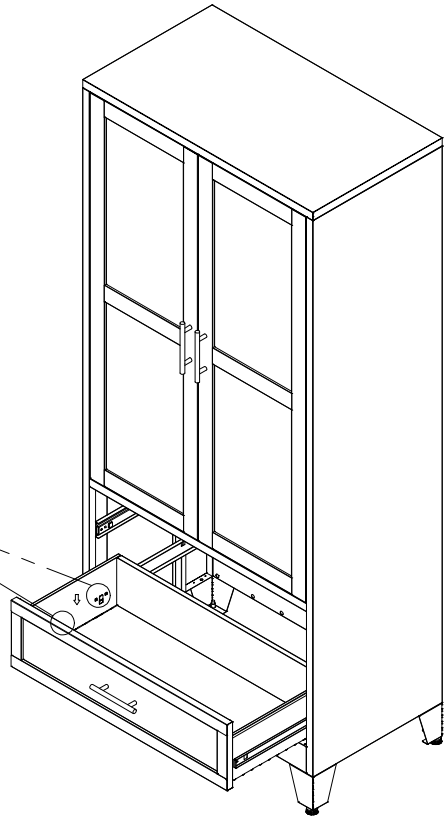
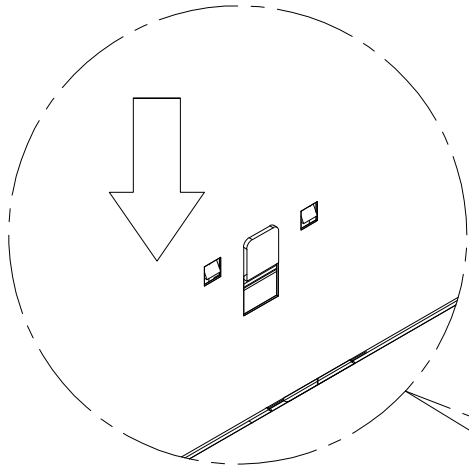
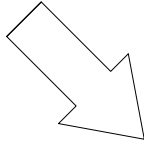
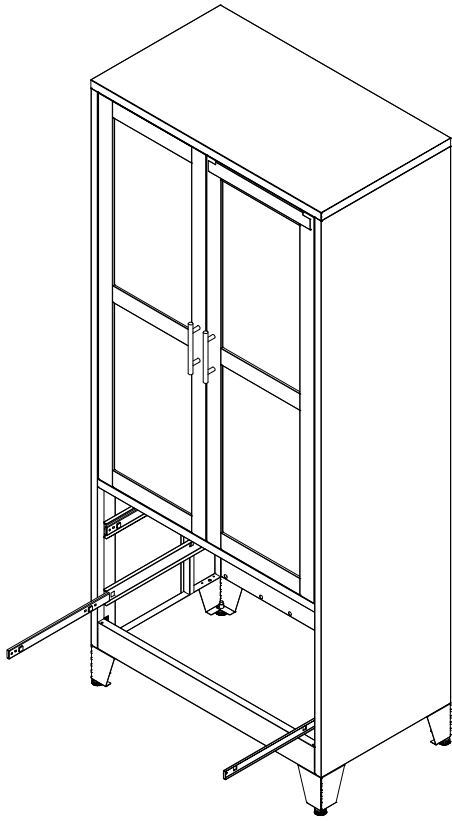
1



2



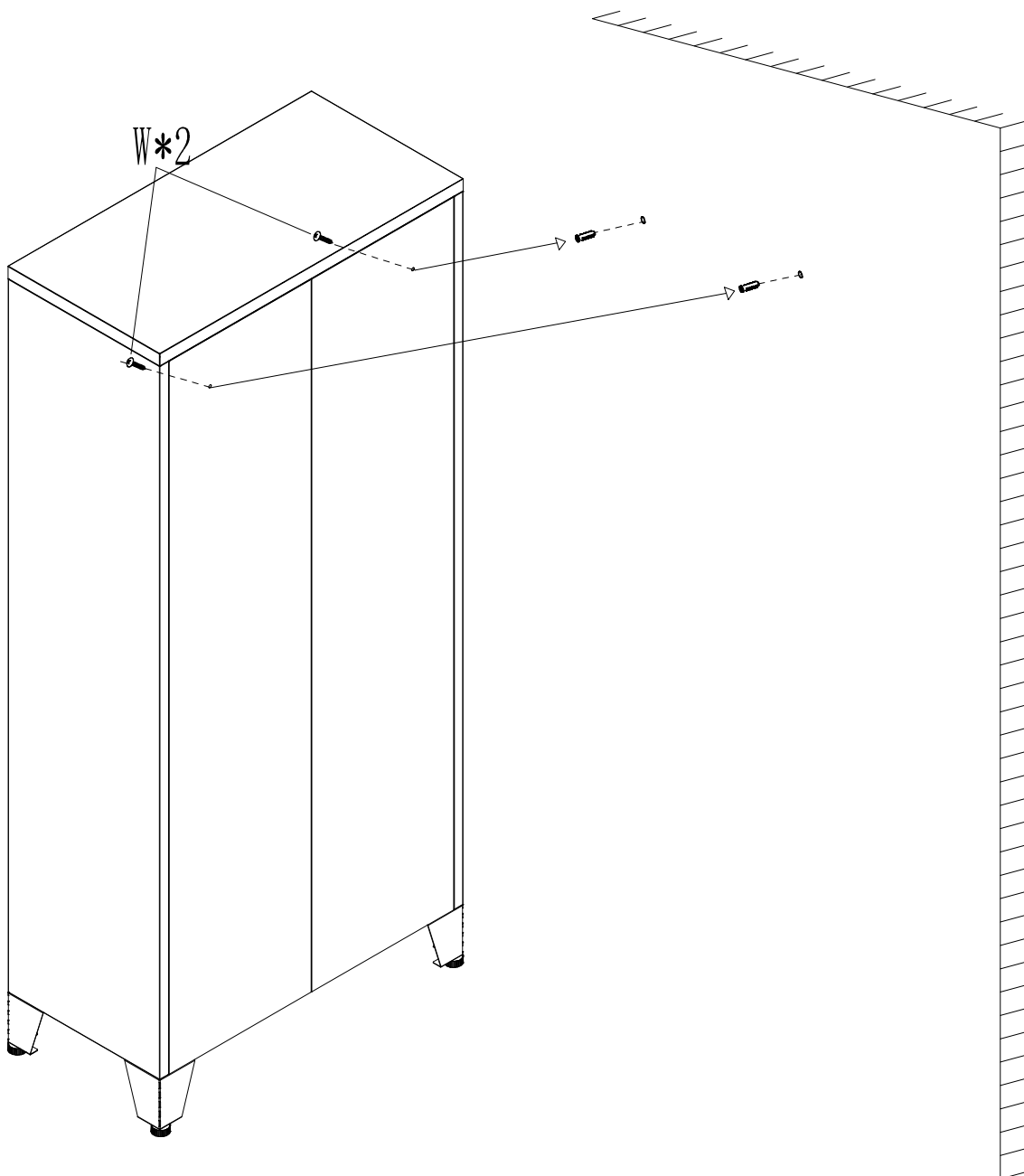
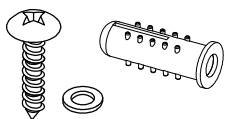
16

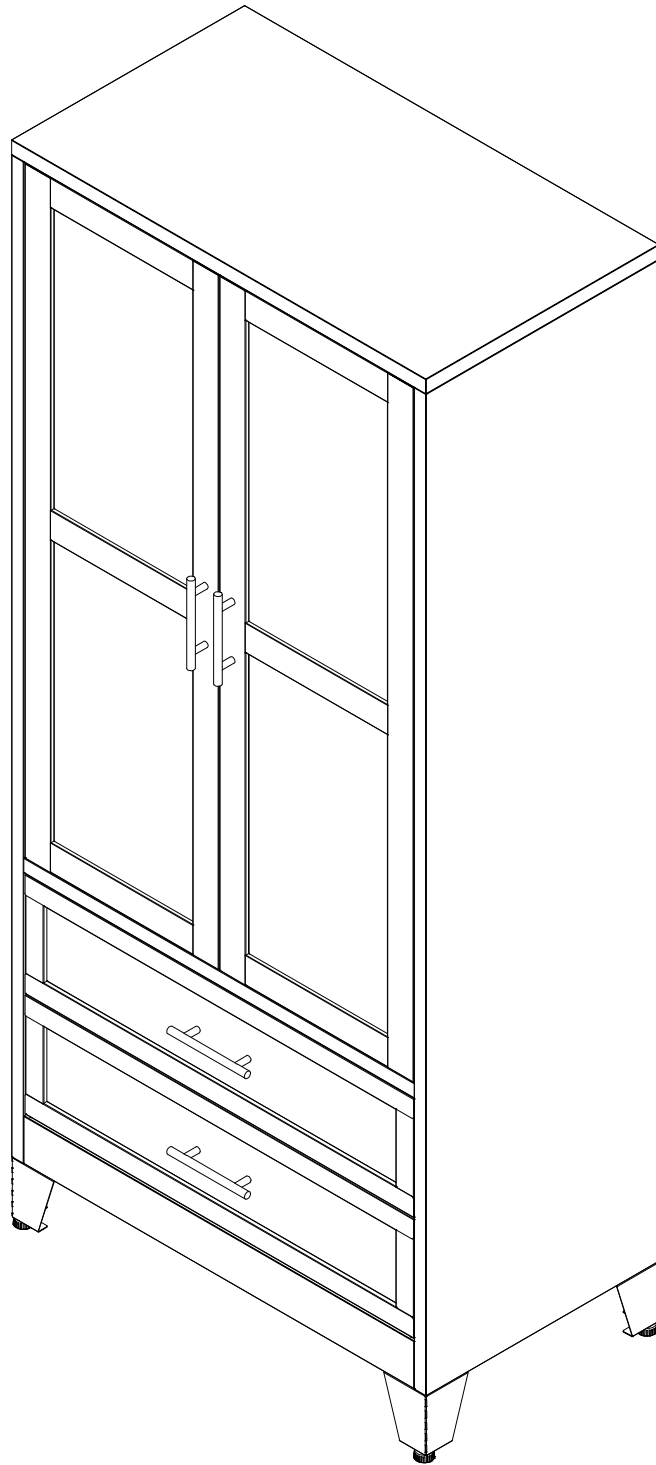


17

The cabinet can be fixed to the wall as needed.

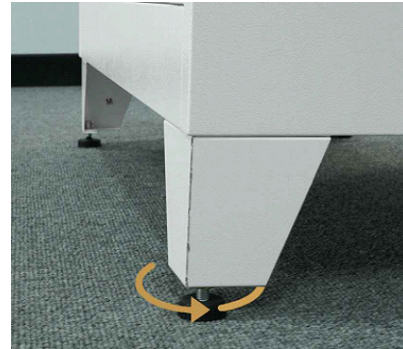
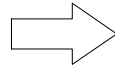
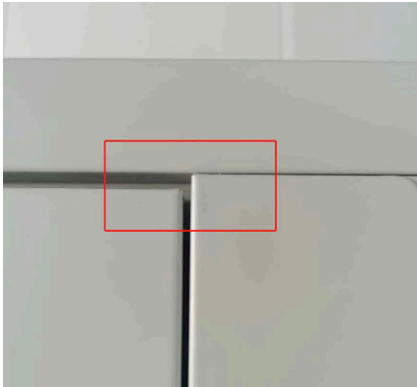
W*2





Problems and Solutions

Question 1: when encountering uneven height of two door panels, adjust the bottom adjustment foot to make it flat.



Question 2: When the door is closed, it still protrudes outward.
That's because the door is made of steel plate and has stretchability.
You can adjust it according to the method shown in the picture.

