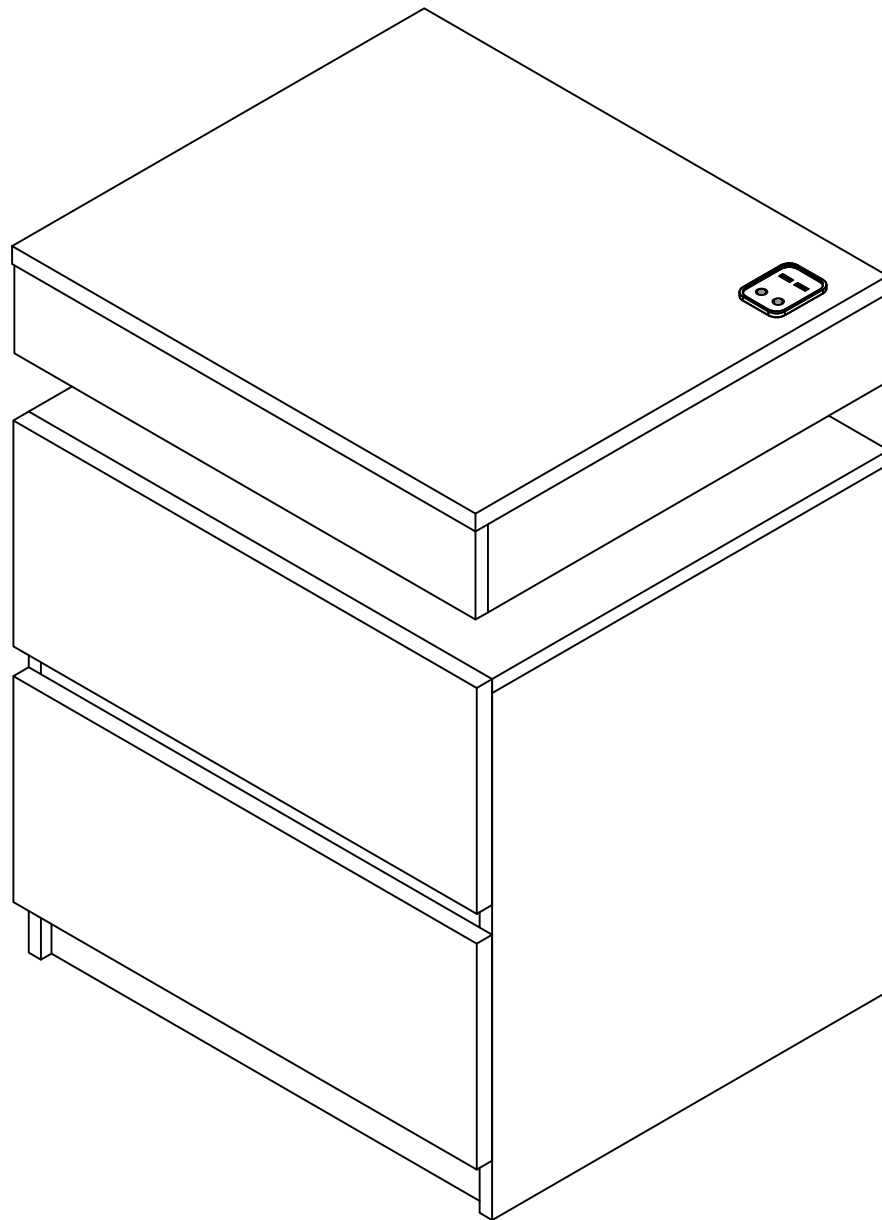
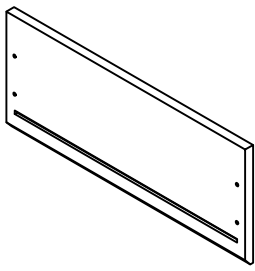
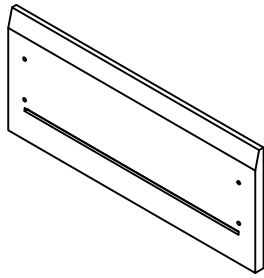


Product Installation Instructions

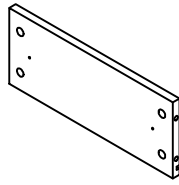




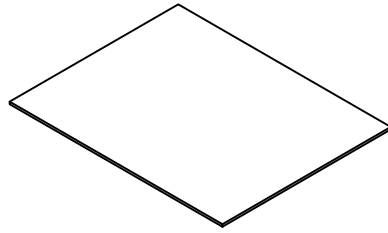
A₁x1



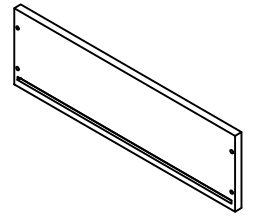
A₂x1



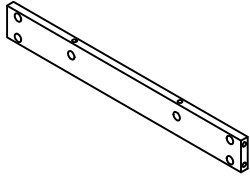
Bx4



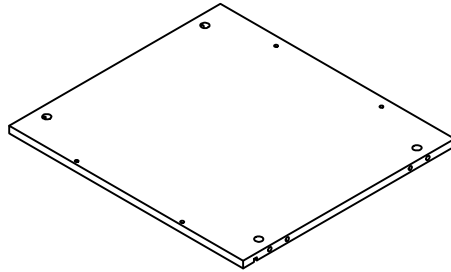
Cx2



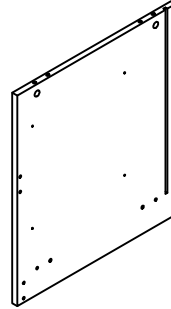
Dx2



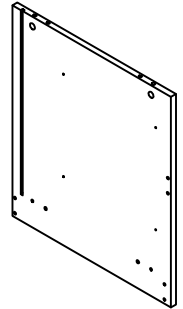
Ex2



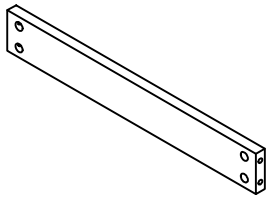
Fx1



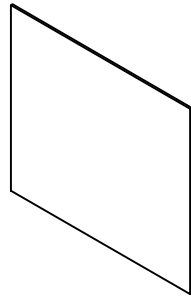
Gx1



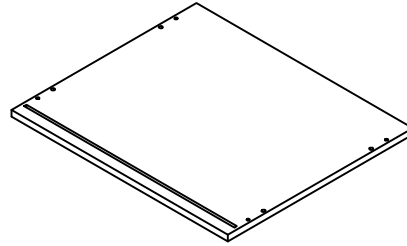
Hx1



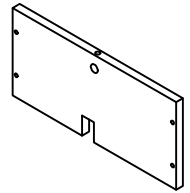
Ix1



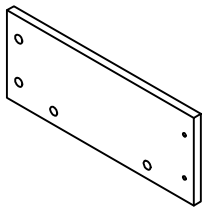
Jx1



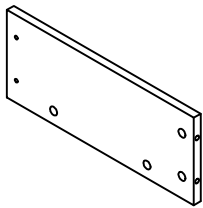
Kx1



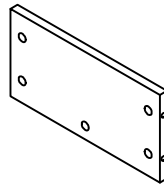
Lx1



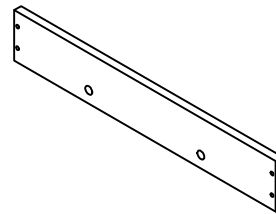
Mx1



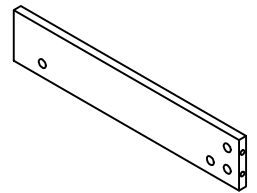
Nx1



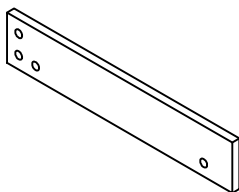
Ox1



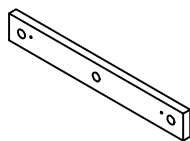
Px1



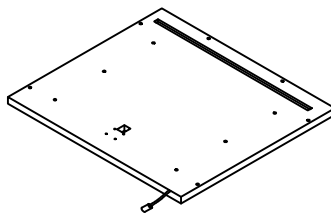
Qx1



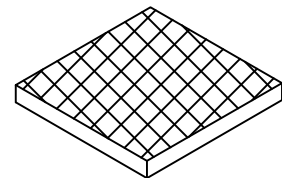
Rx1



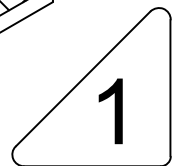
Sx2



Tx1

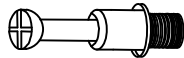

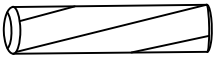
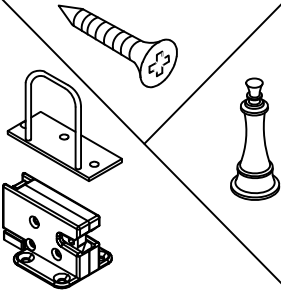
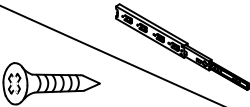

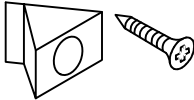
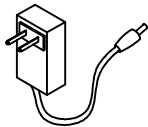


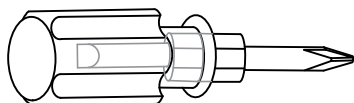
Ux1



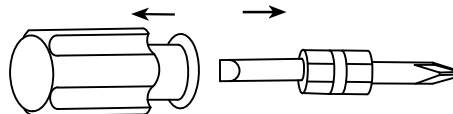
1

Accessories list

①		Two In One Screw (6x28mm)	70pcs +6pcs
②		Two In One Nut (10x12mm)	70pcs +6pcs
③		Wood Chipping (6x30mm)	8pcs +2pcs
④		Concealed lock & Screw (3x12mm)	7pcs +1pcs 2pcs 1pcs
⑤		Screw & Guide (12 inch) (3x12mm)	6pcs 30pcs +2pcs
⑥		Non-slip pads (50x10x2mm)	4pcs +2pcs
⑦		Fixing Clip & Screw (3x16mm)	4pcs +1pcs
	AC/DC Adapter (12V=2.0A)	1pcs	



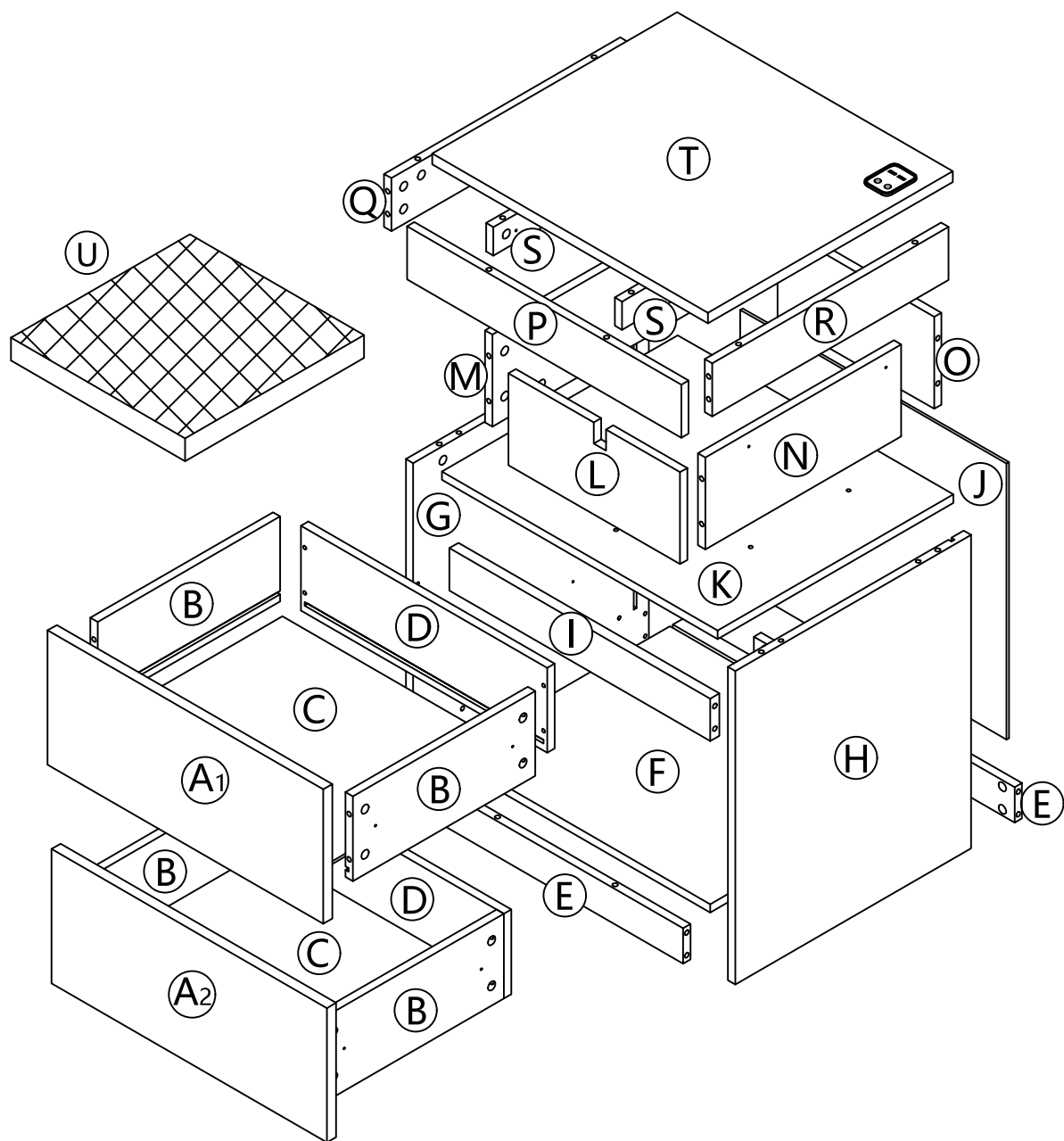
1pcs



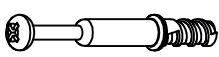
Double-head screwdriver, use as required

2

Product structure decomposition



1



32pcs

2



32pcs

4



1pcs



4pcs

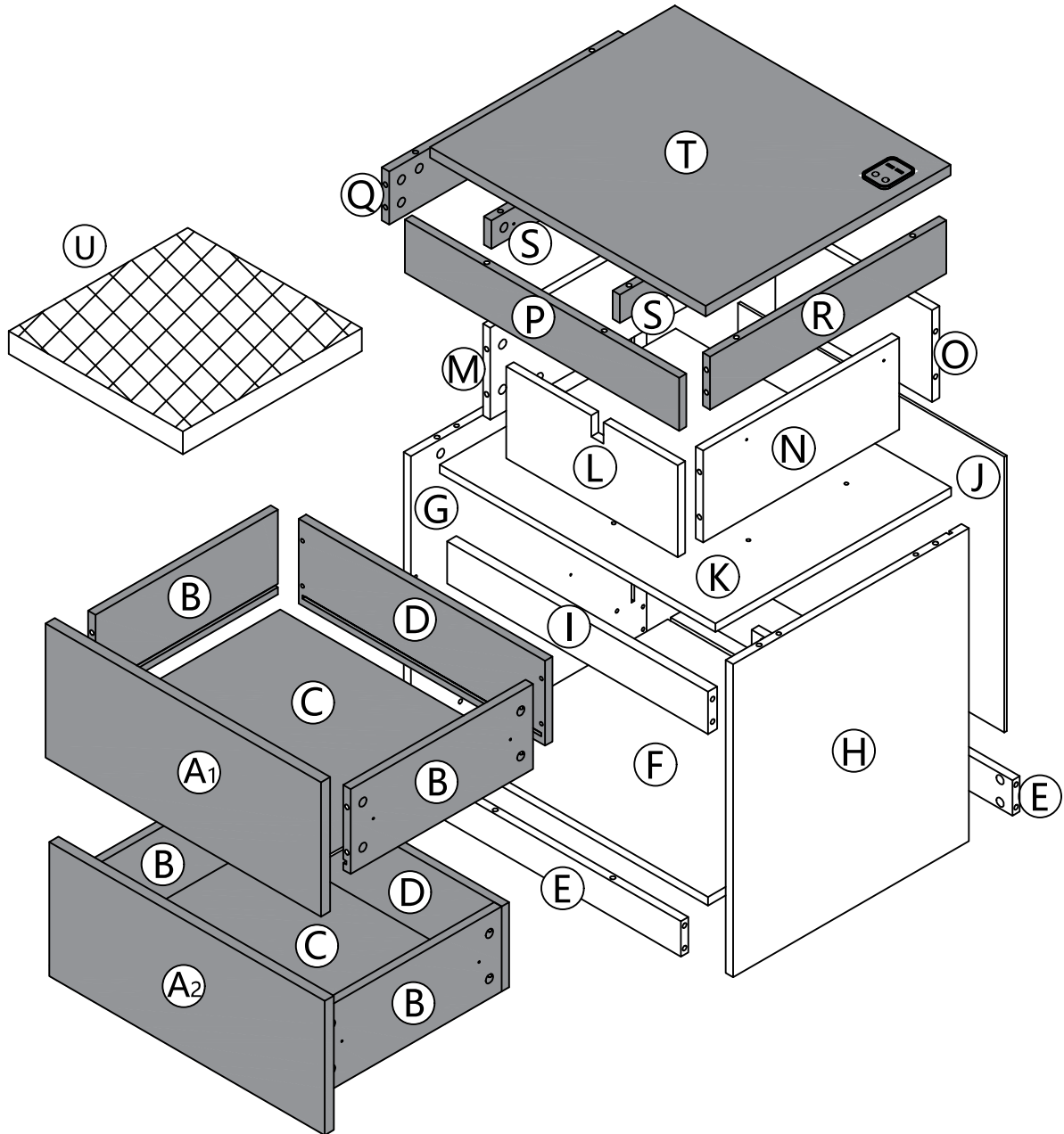
5



6pcs

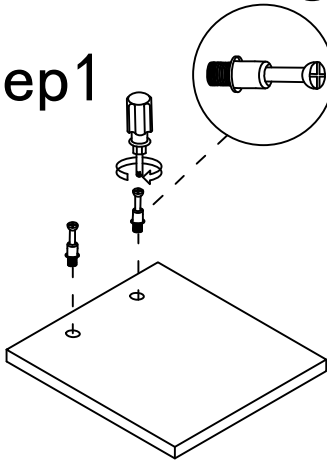


12pcs

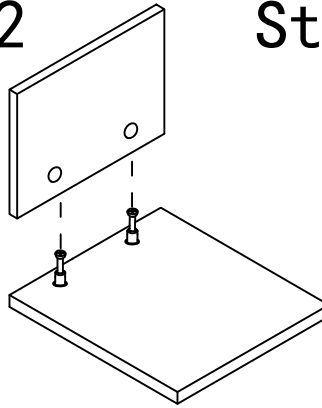


Use parts ① and ②

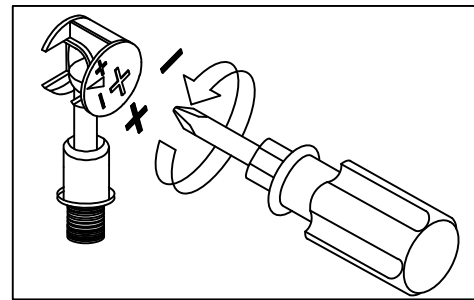
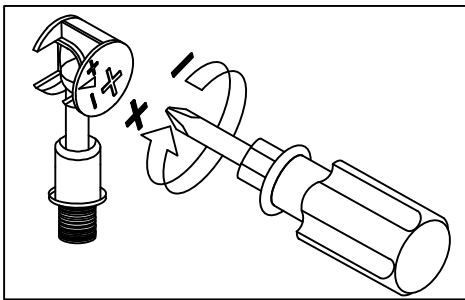
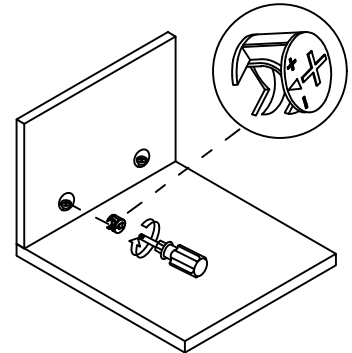
Step1



Step2



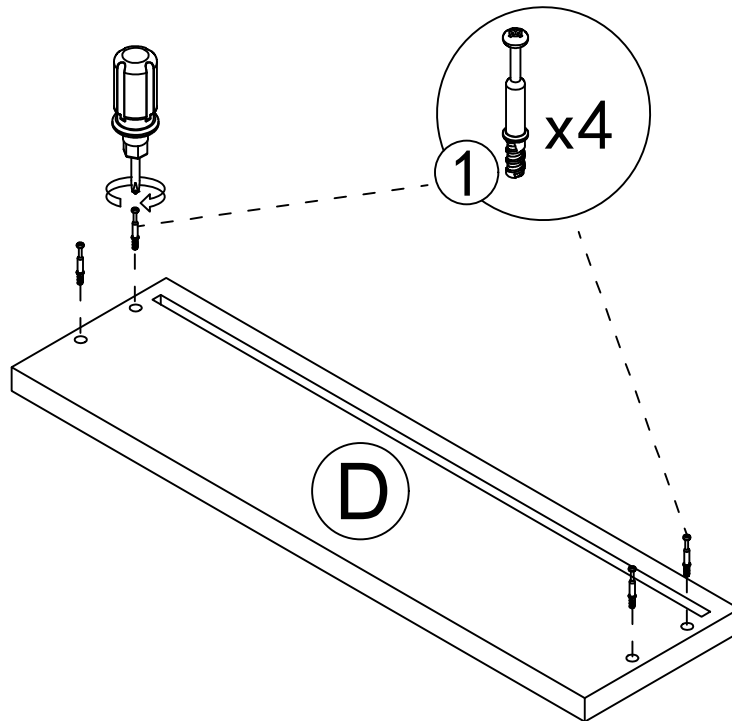
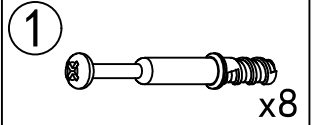
Step3



Use a screwdriver to lock in the direction of the "+" sign

Disassemble along the direction of "-" sign

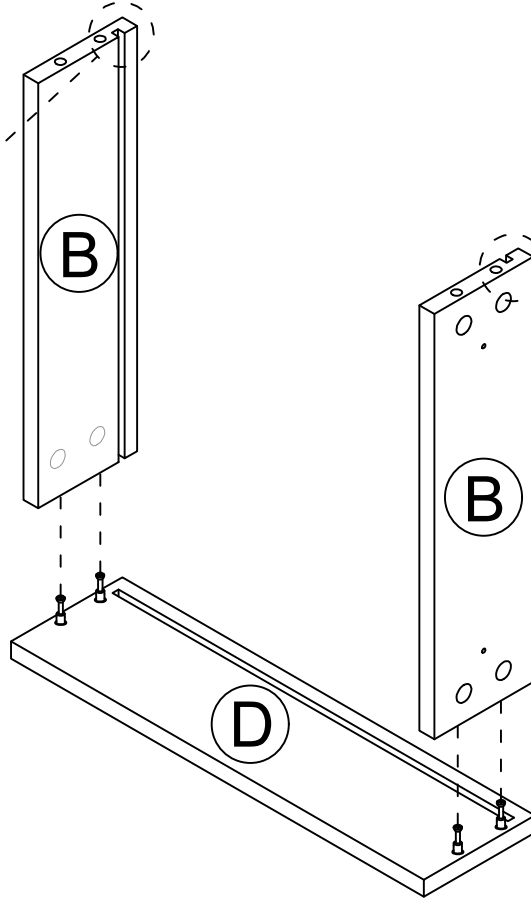
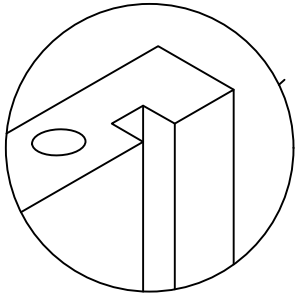
Step 1



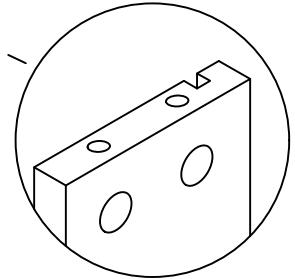
x2

5

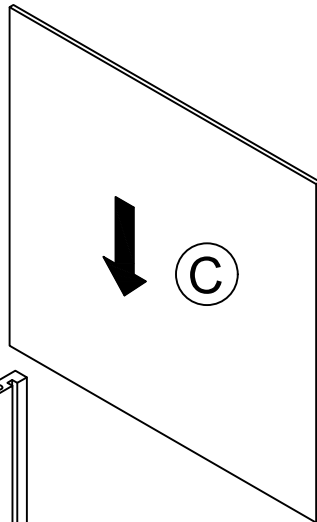
Step 2



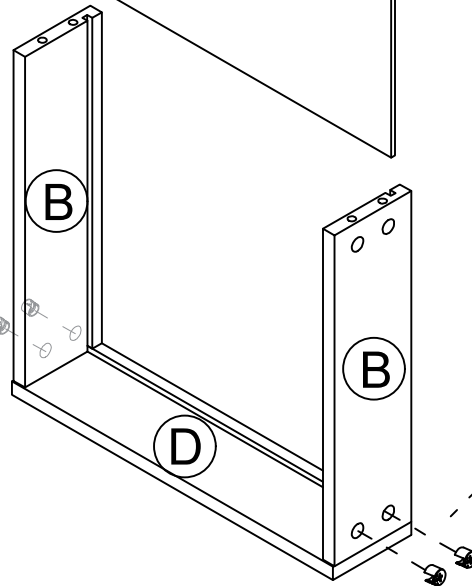
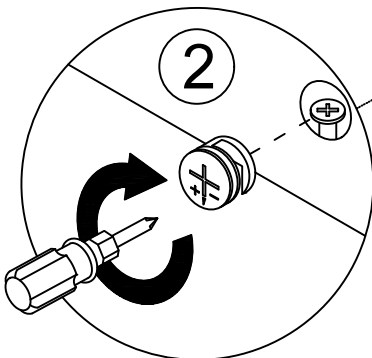
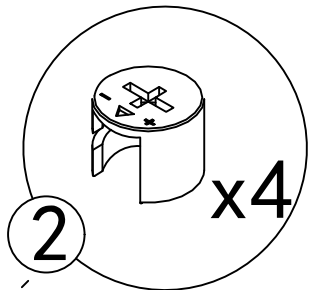
x2



Step 3

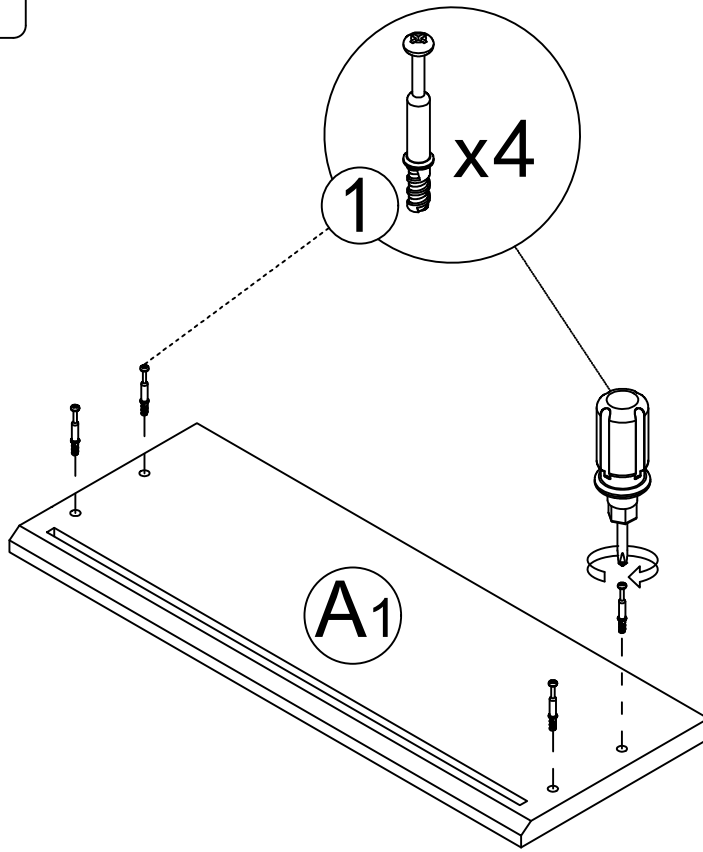
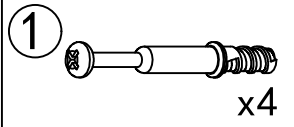


x2

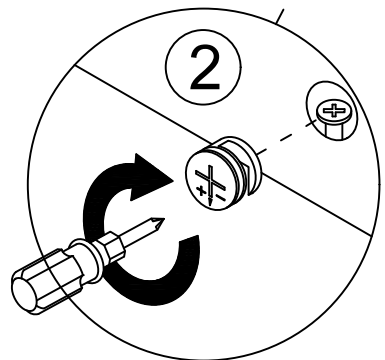
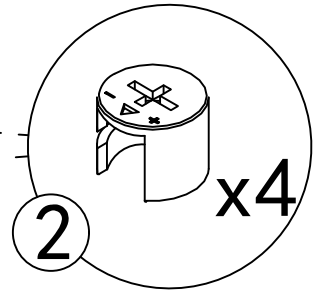
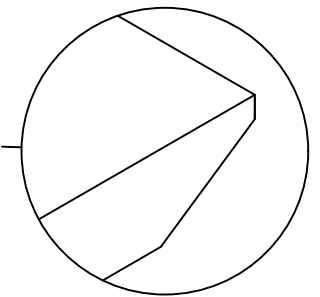
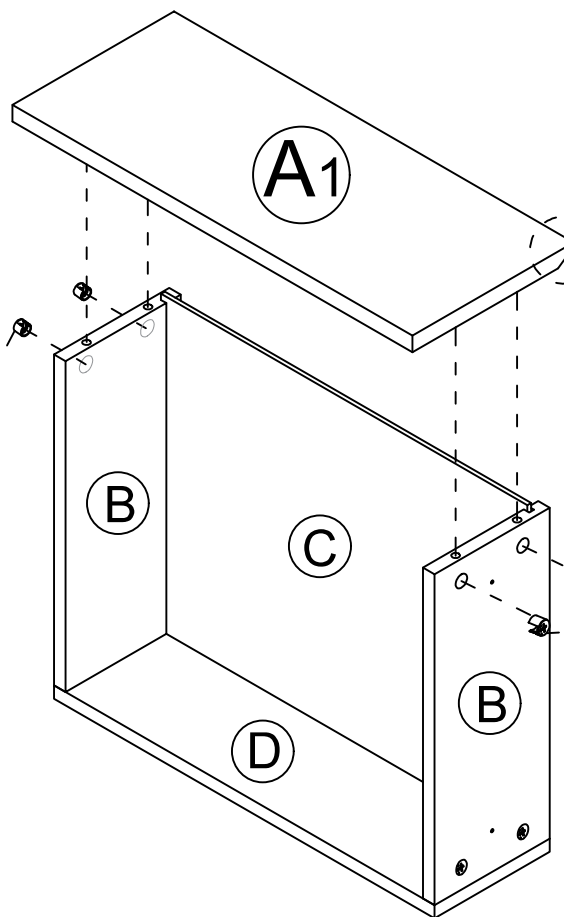


6

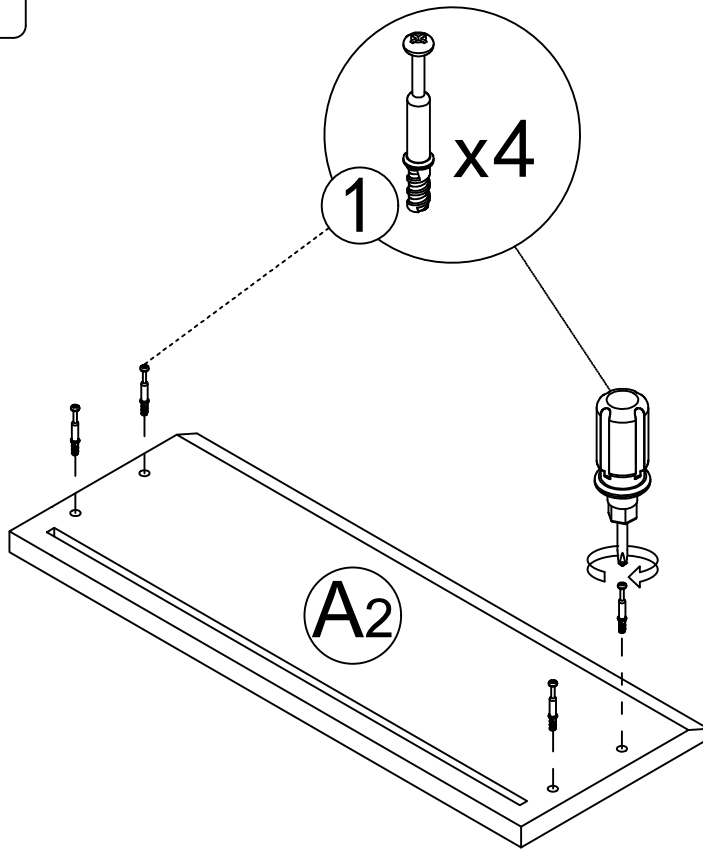
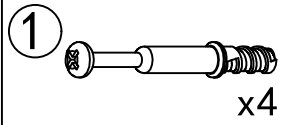
Step 4



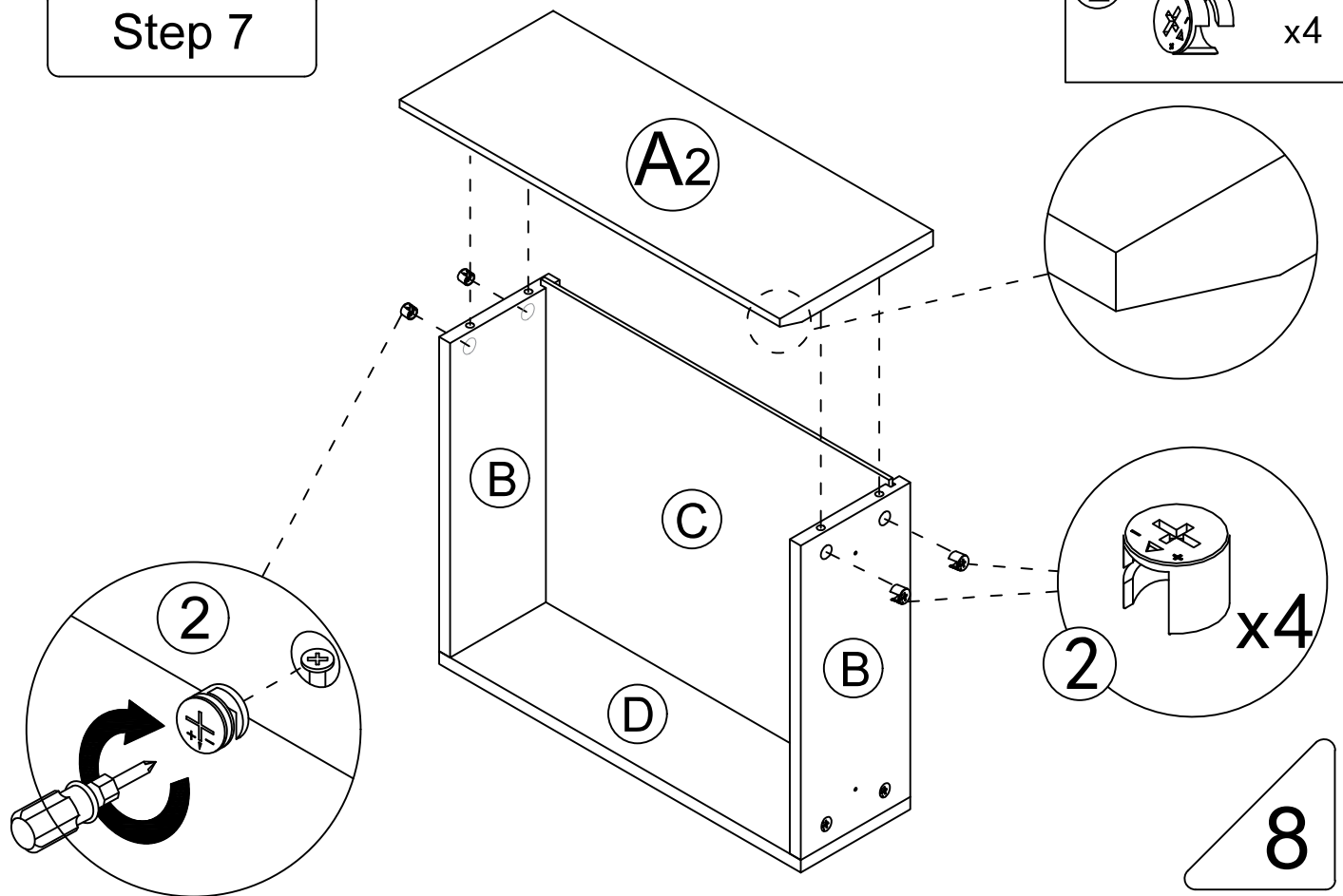
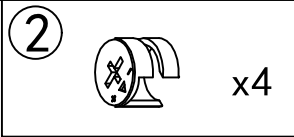
Step 5



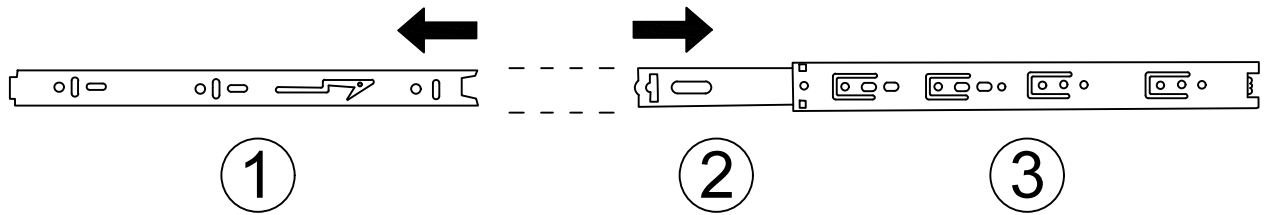
Step 6



Step 7

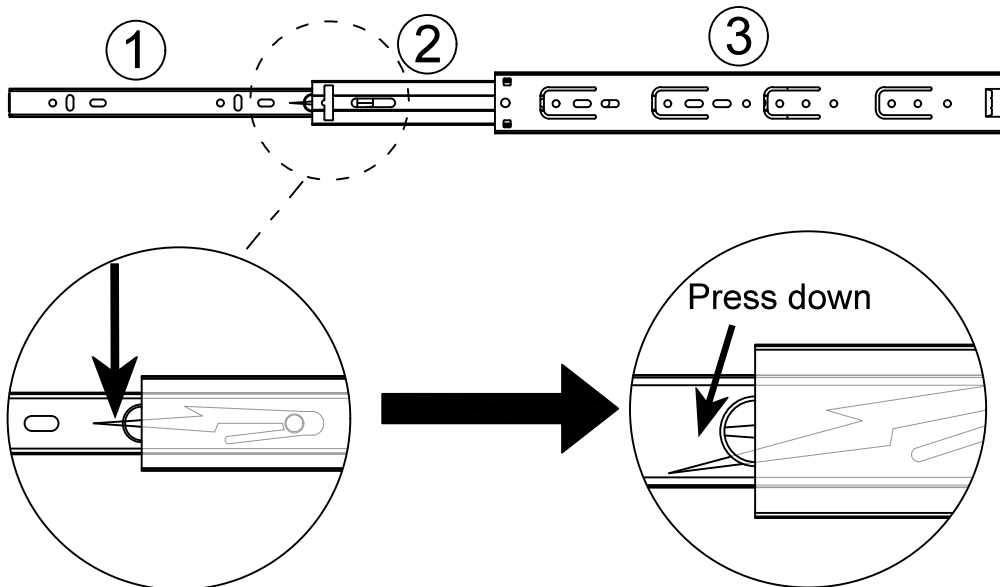


Drawer rail breakdown diagram



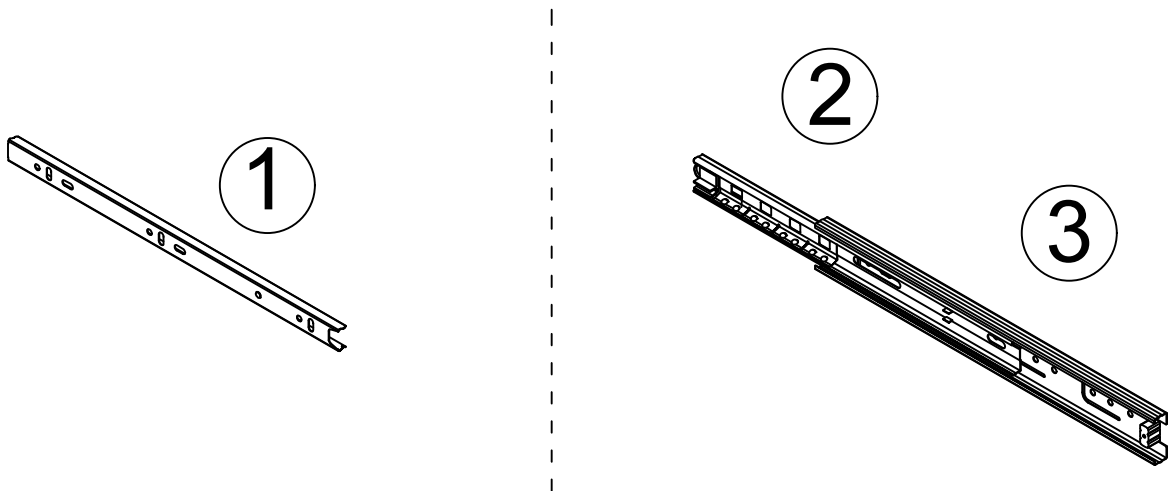
① Dismantle the schematic diagram

Step 1 : Pull the rails apart

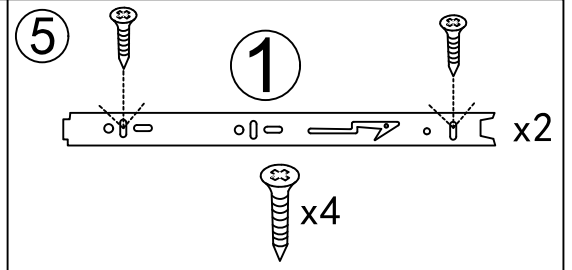
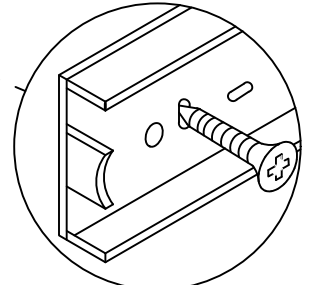
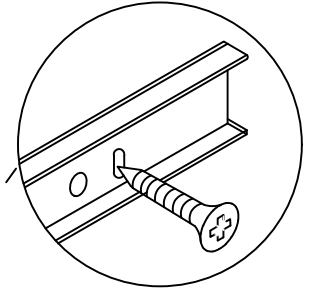
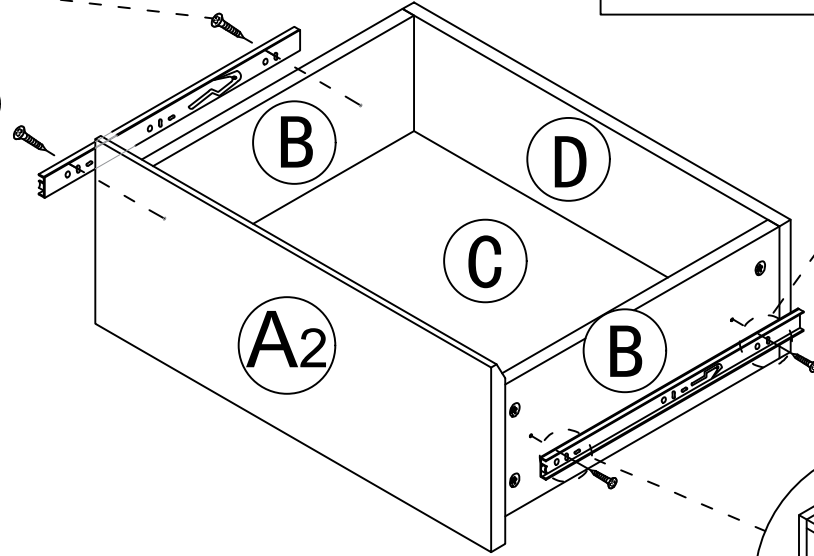
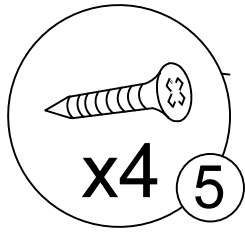


Step 2 : Press the nylon button and pull out ①.

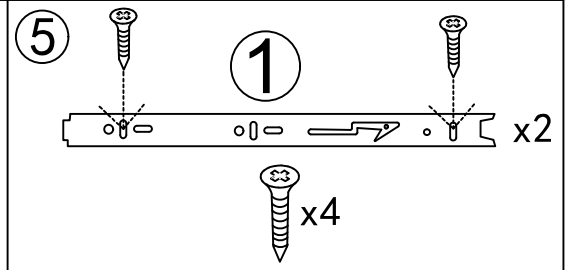
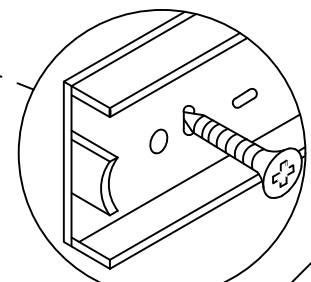
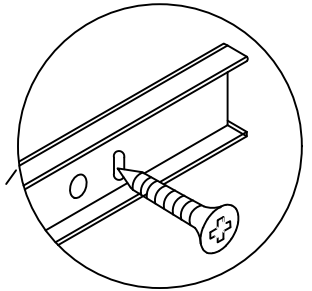
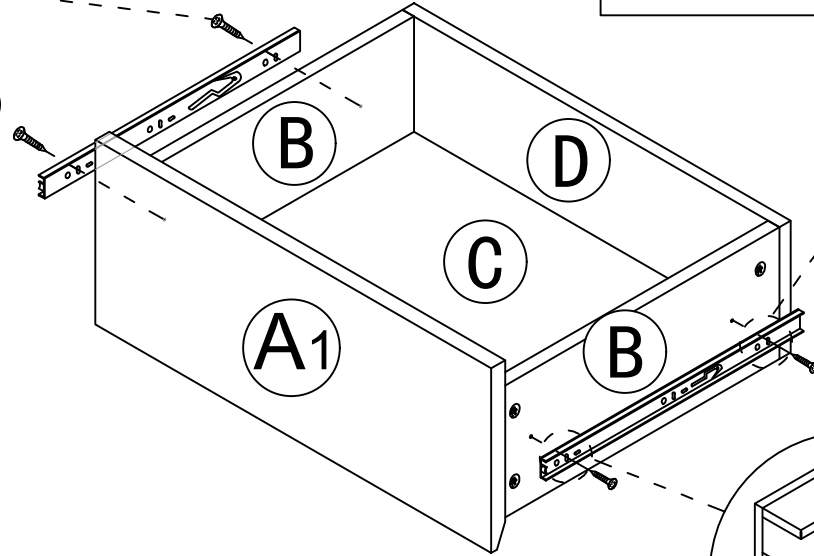
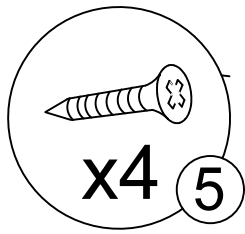
Drawer rail decomposition completed schematic diagram



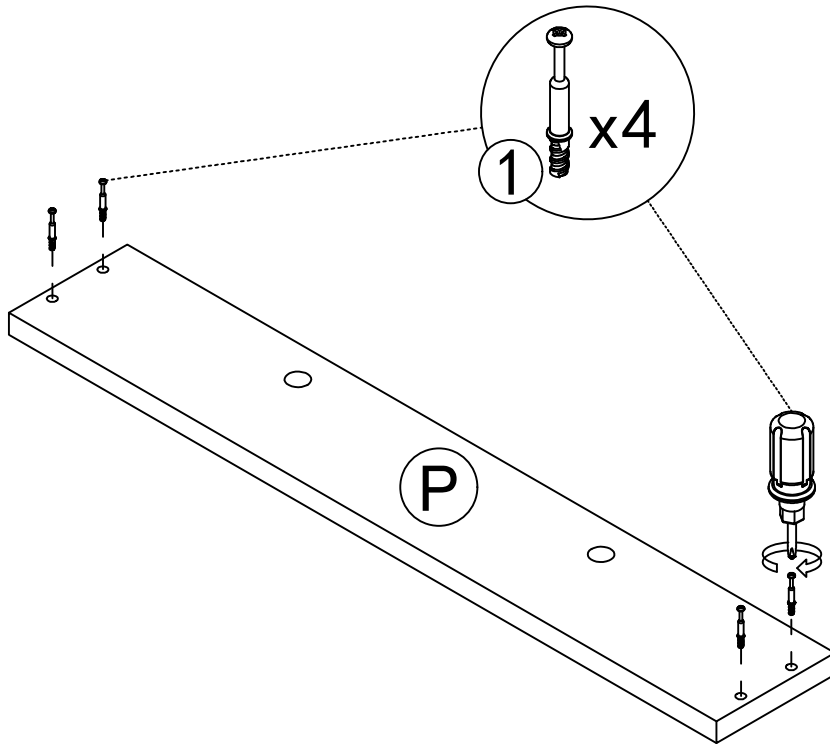
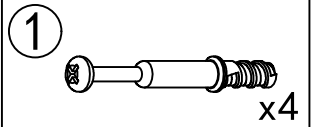
Step 8



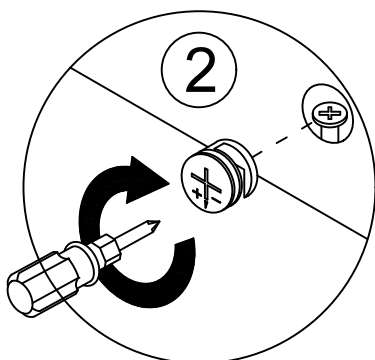
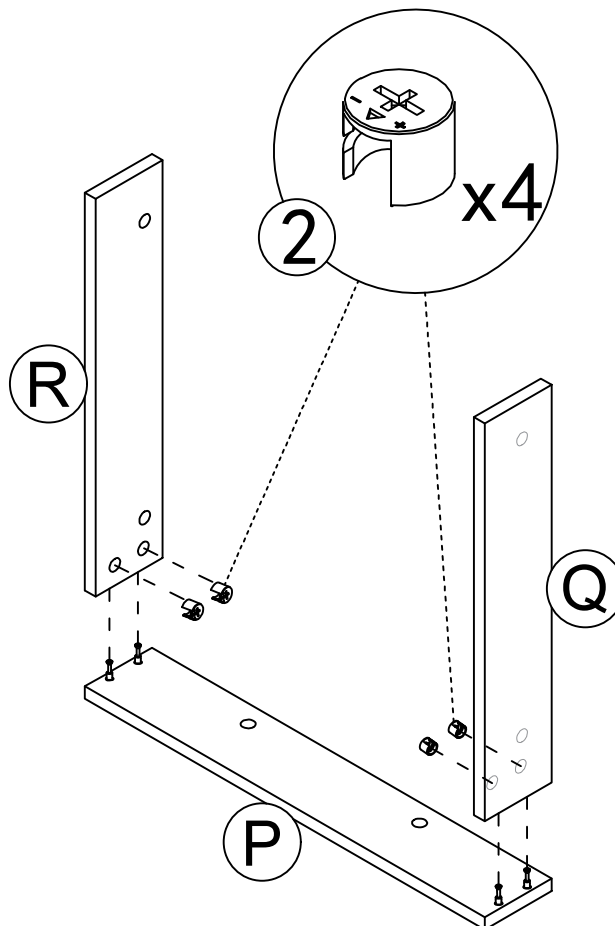
Step 9



Step 10

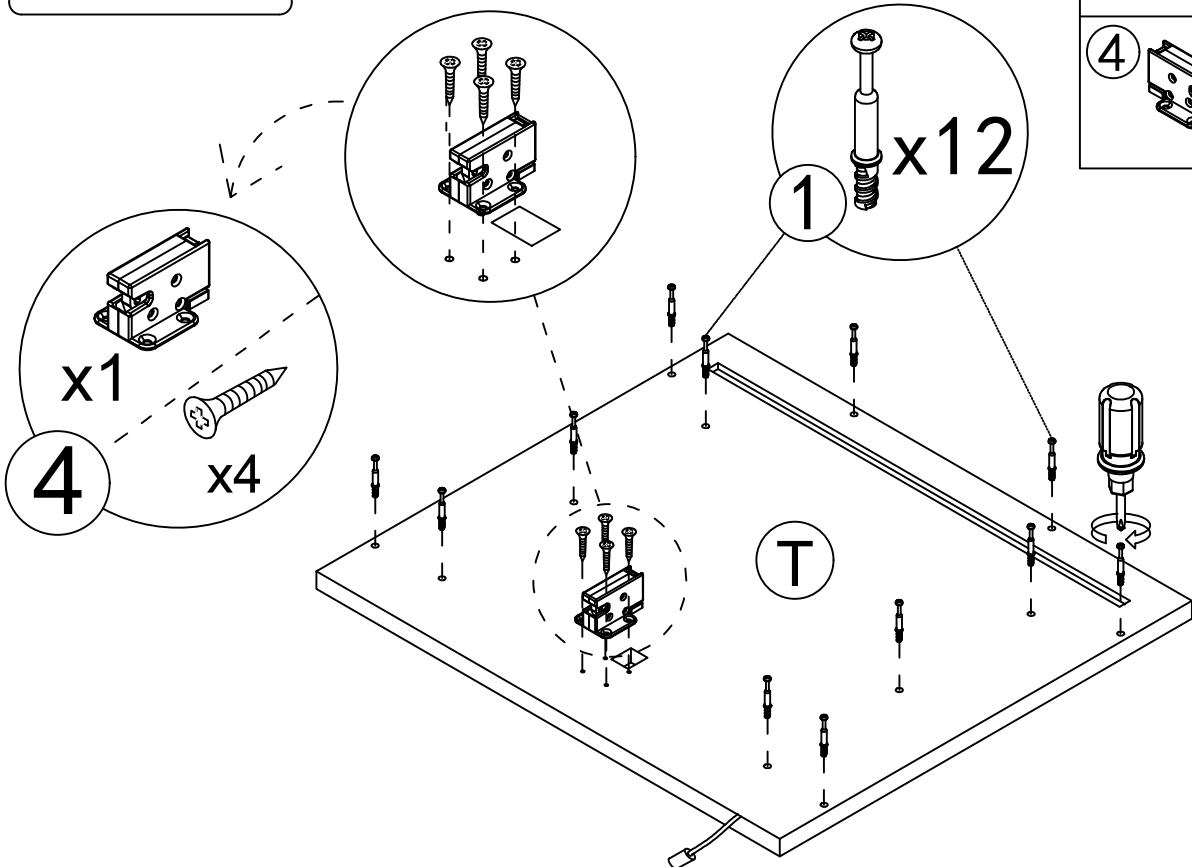
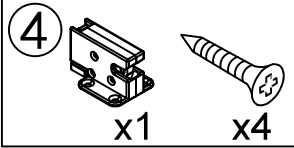
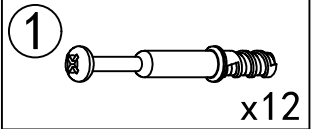


Step 11

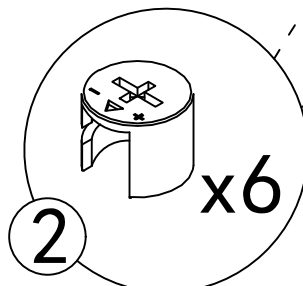
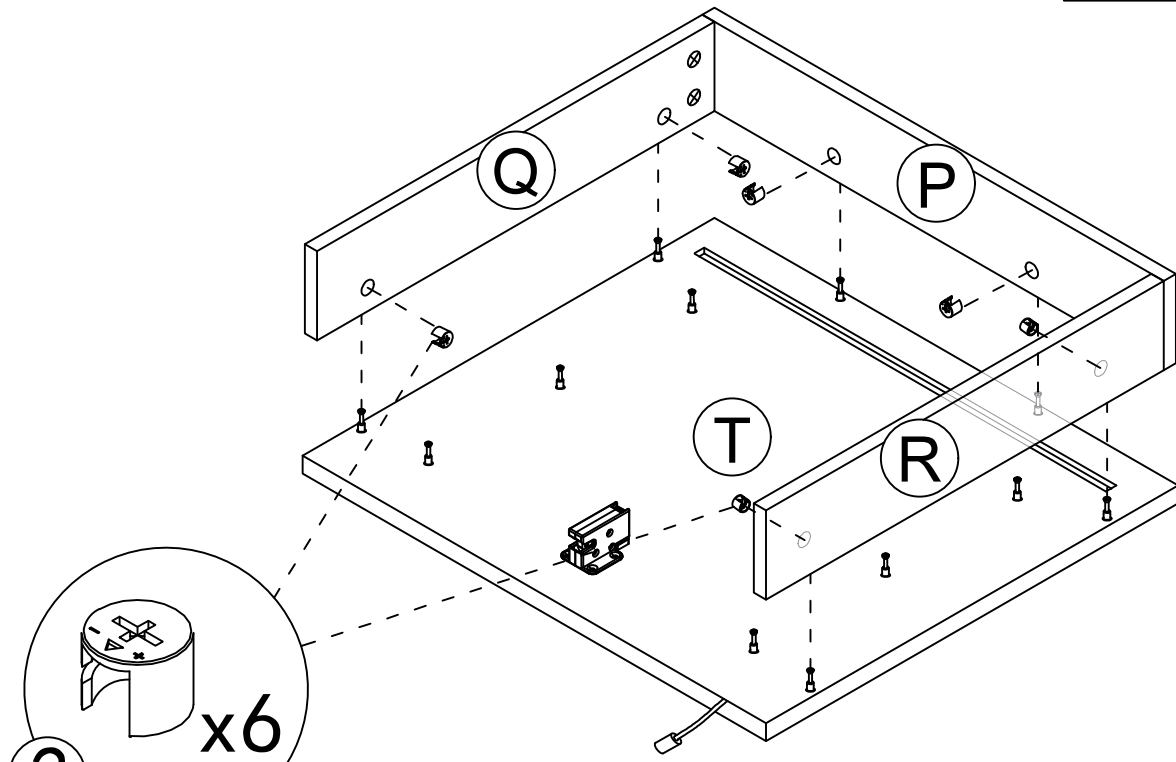
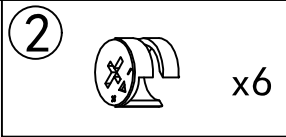


Step 12

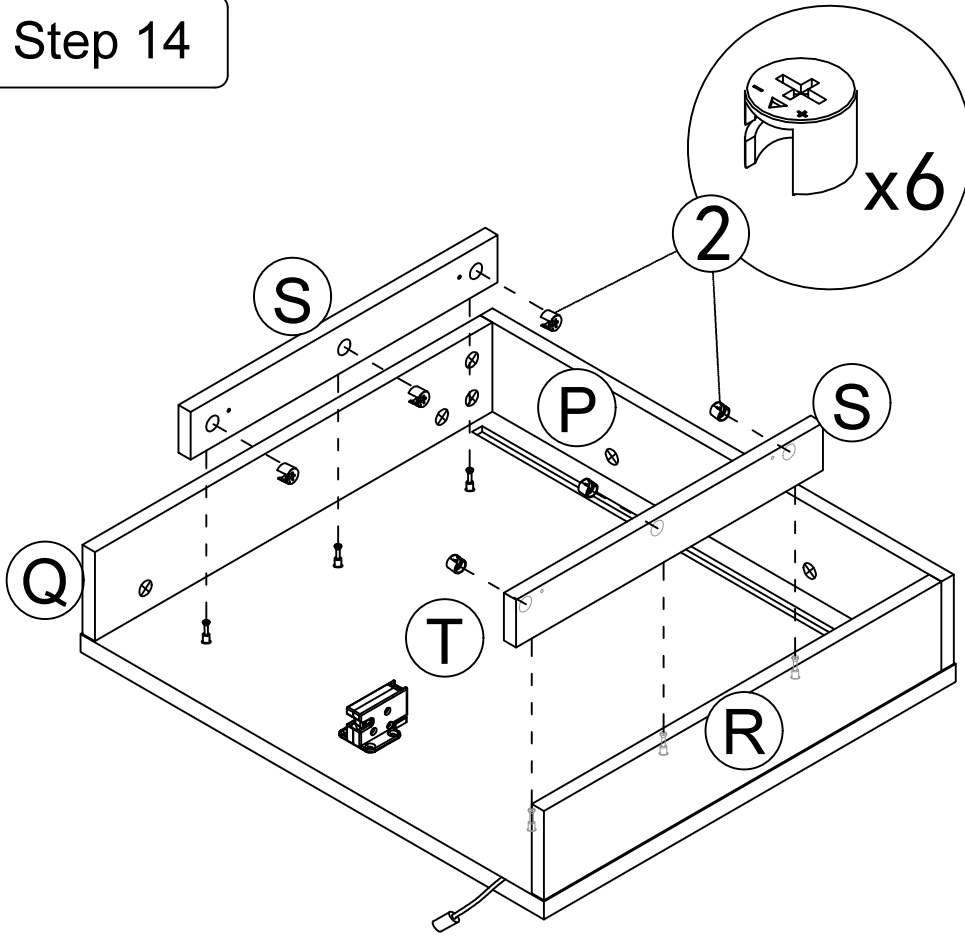
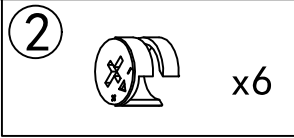
Pay attention to the installation direction of the hidden lock



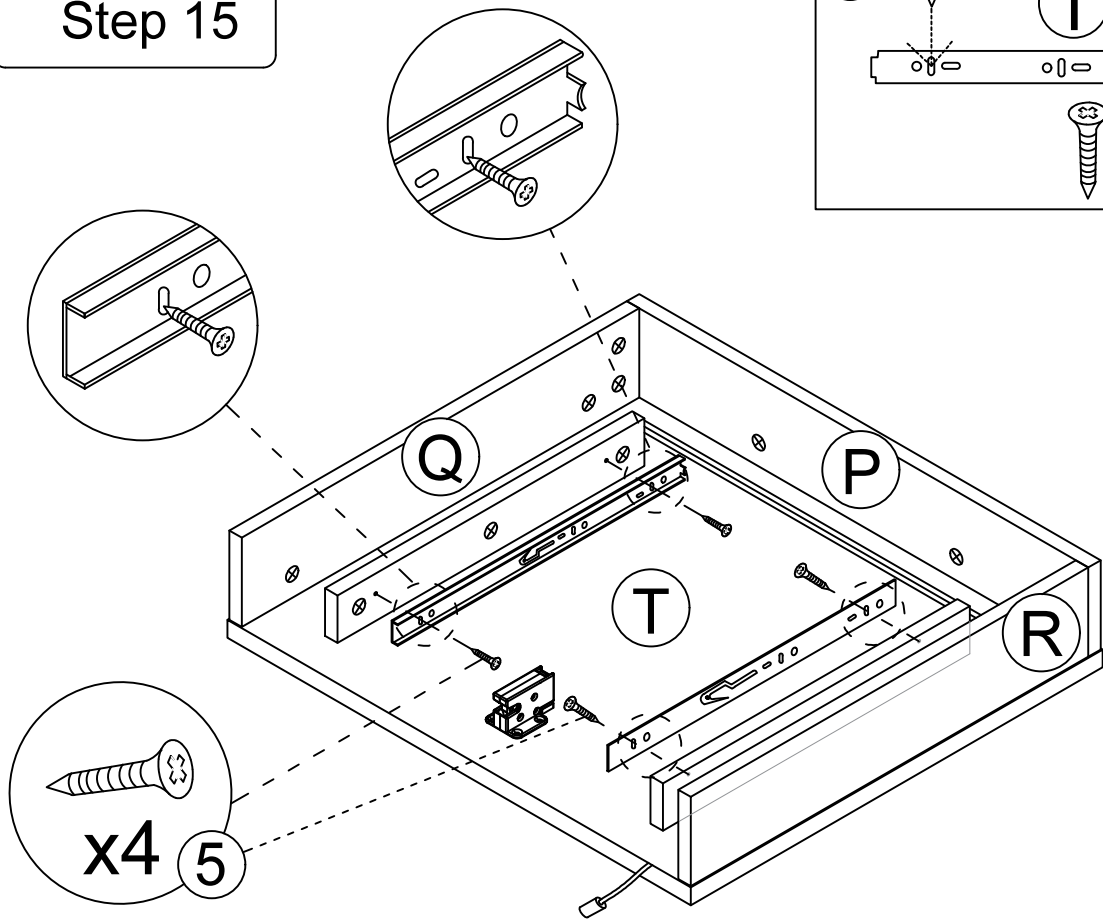
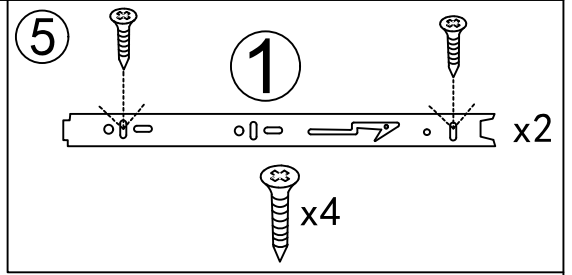
Step 13

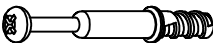






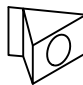
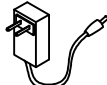


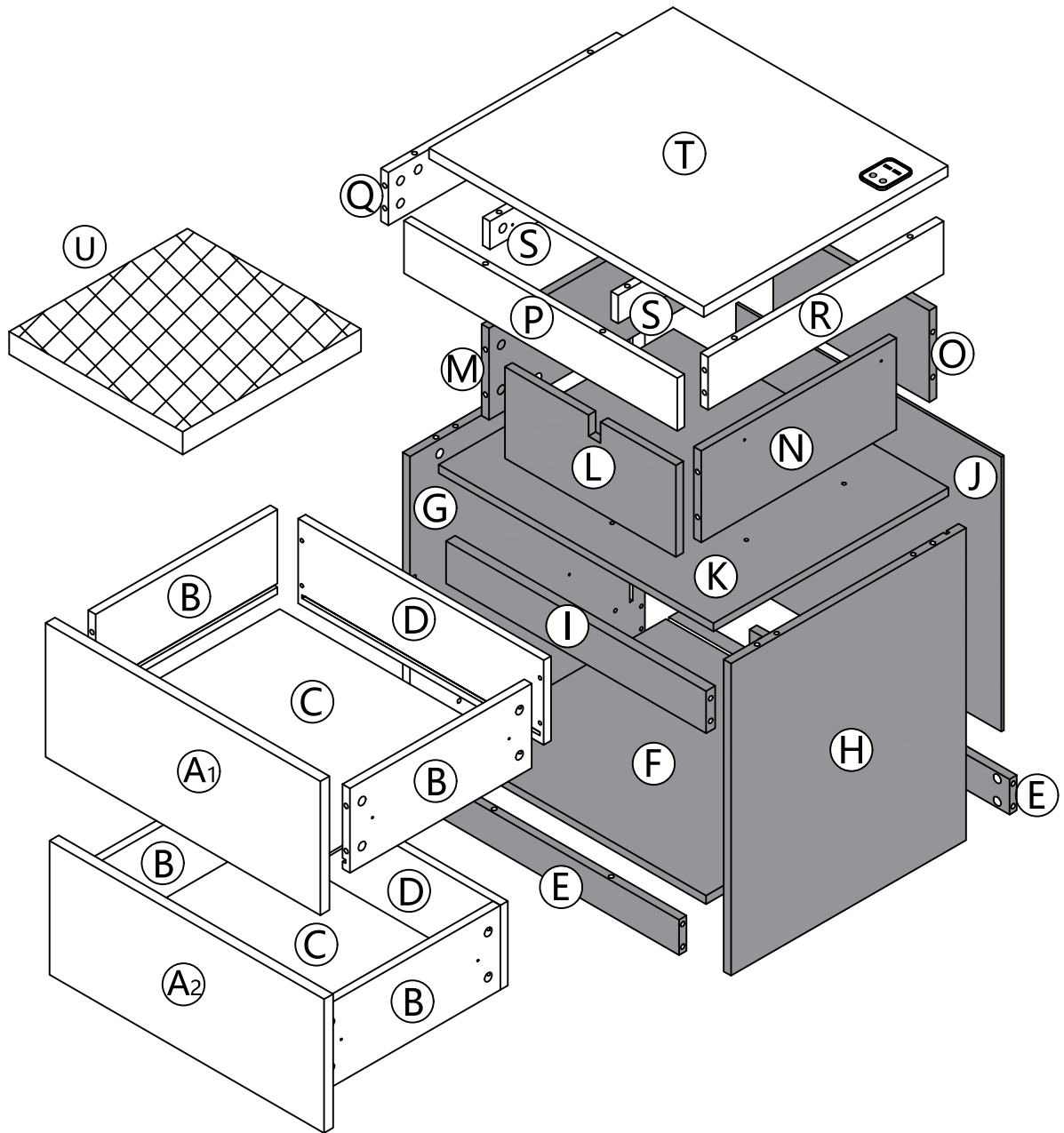
Step 14



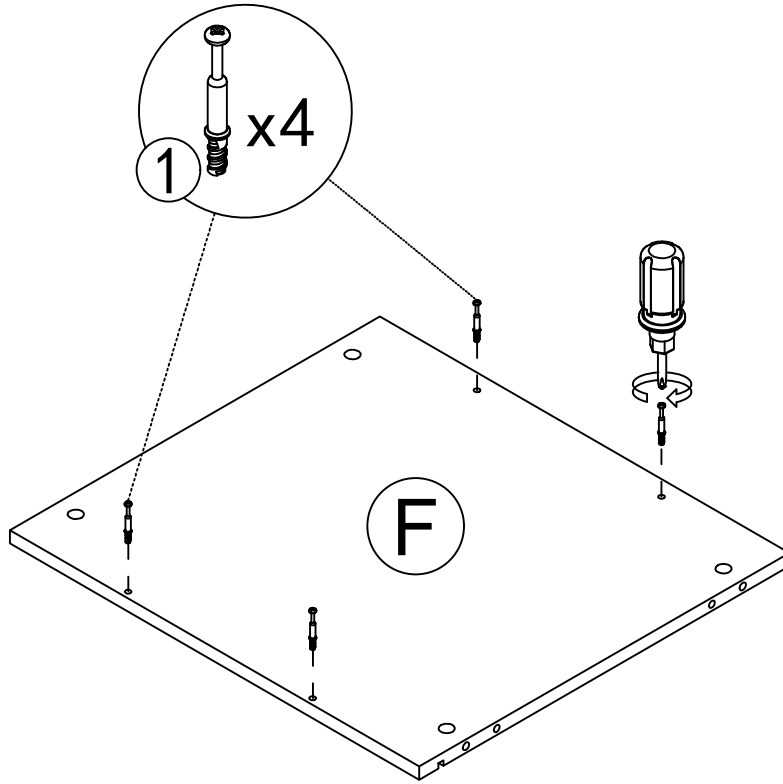
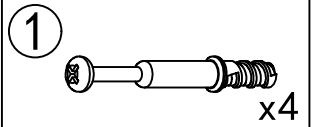
Step 15



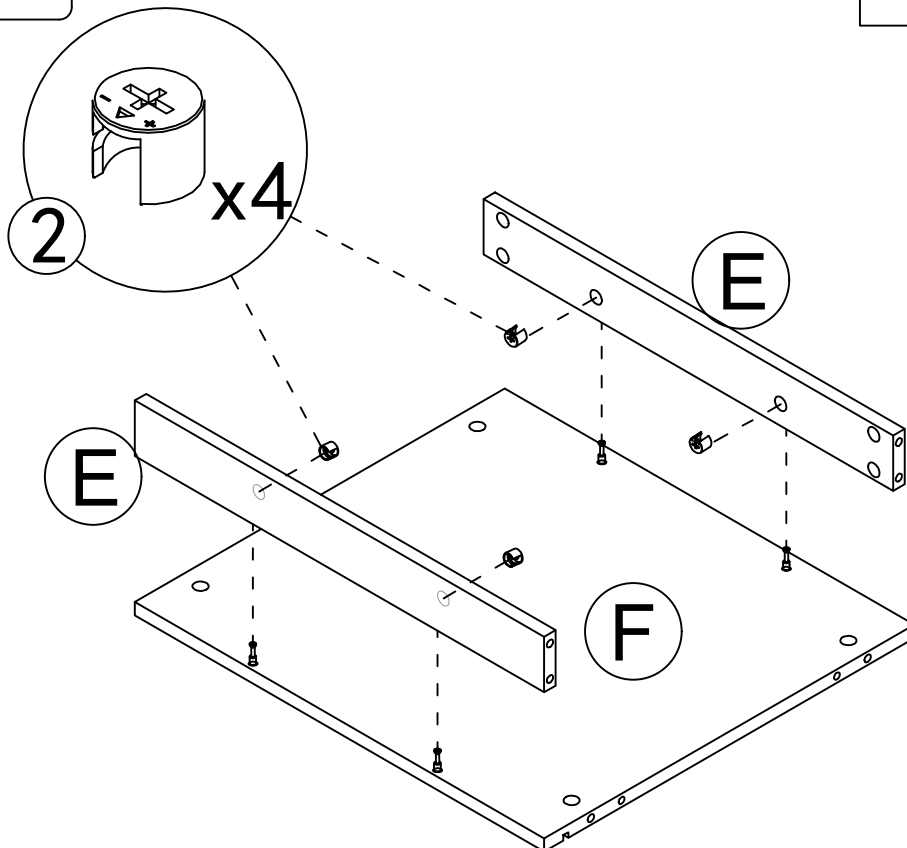
①		38pcs	②		38pcs	③		8pcs	
④		1pcs		3pcs	⑤		6pcs		18pcs
⑥			⑦		4pcs		1pcs		



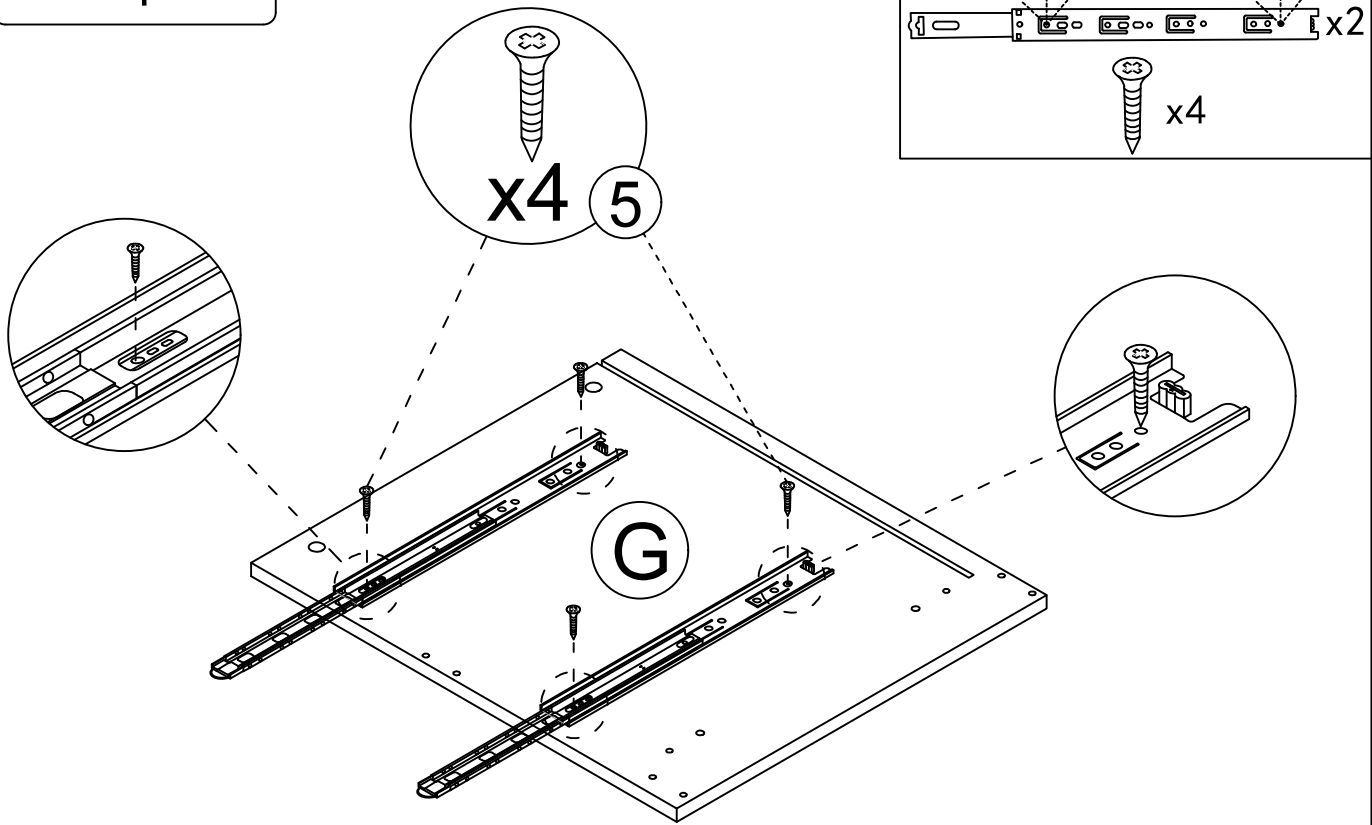
Step 16



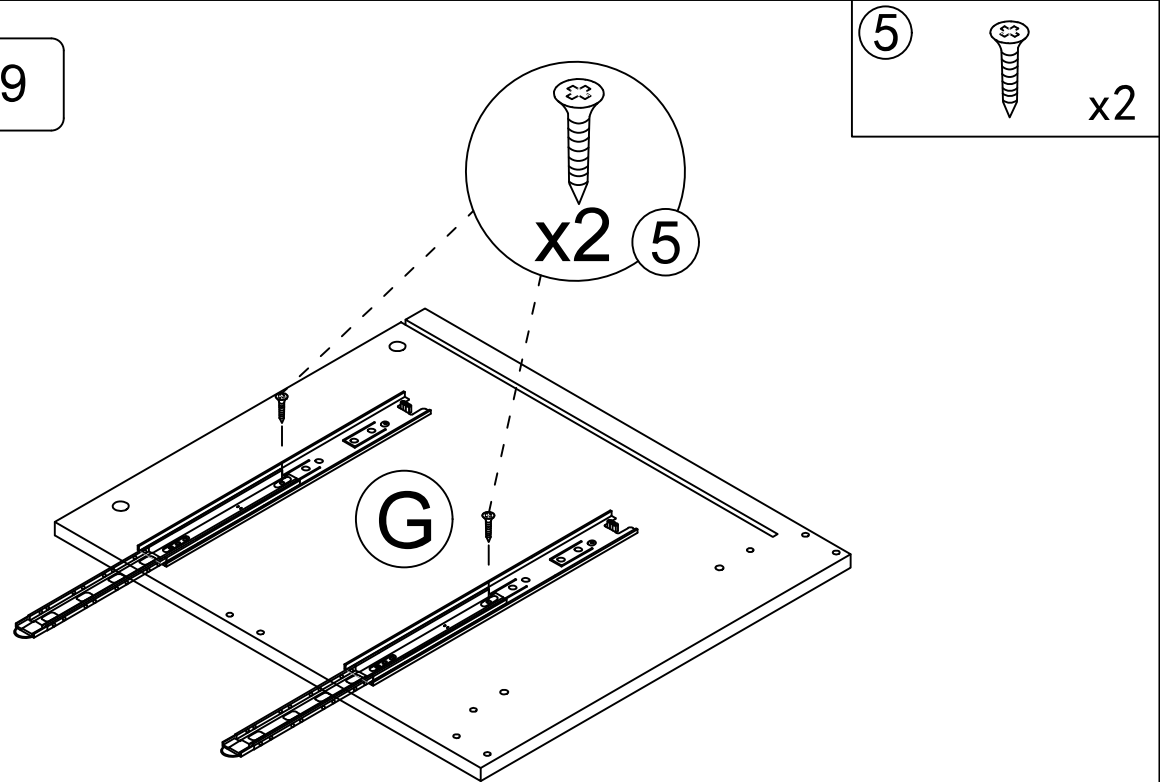
Step 17



Step 18

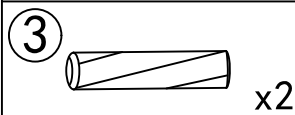
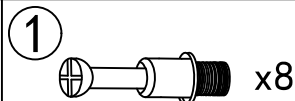
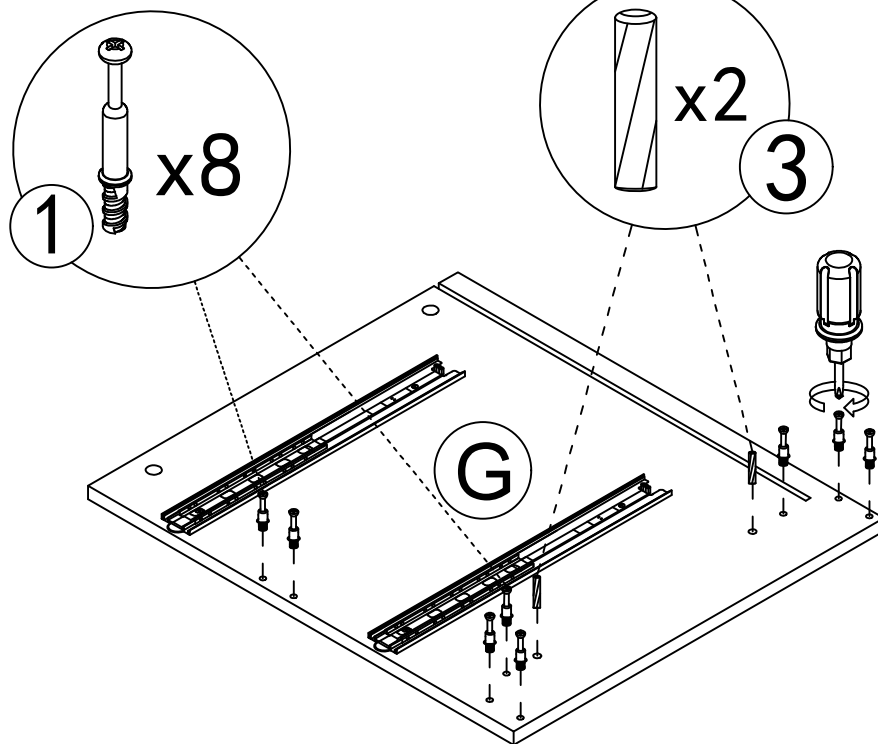


Step 19

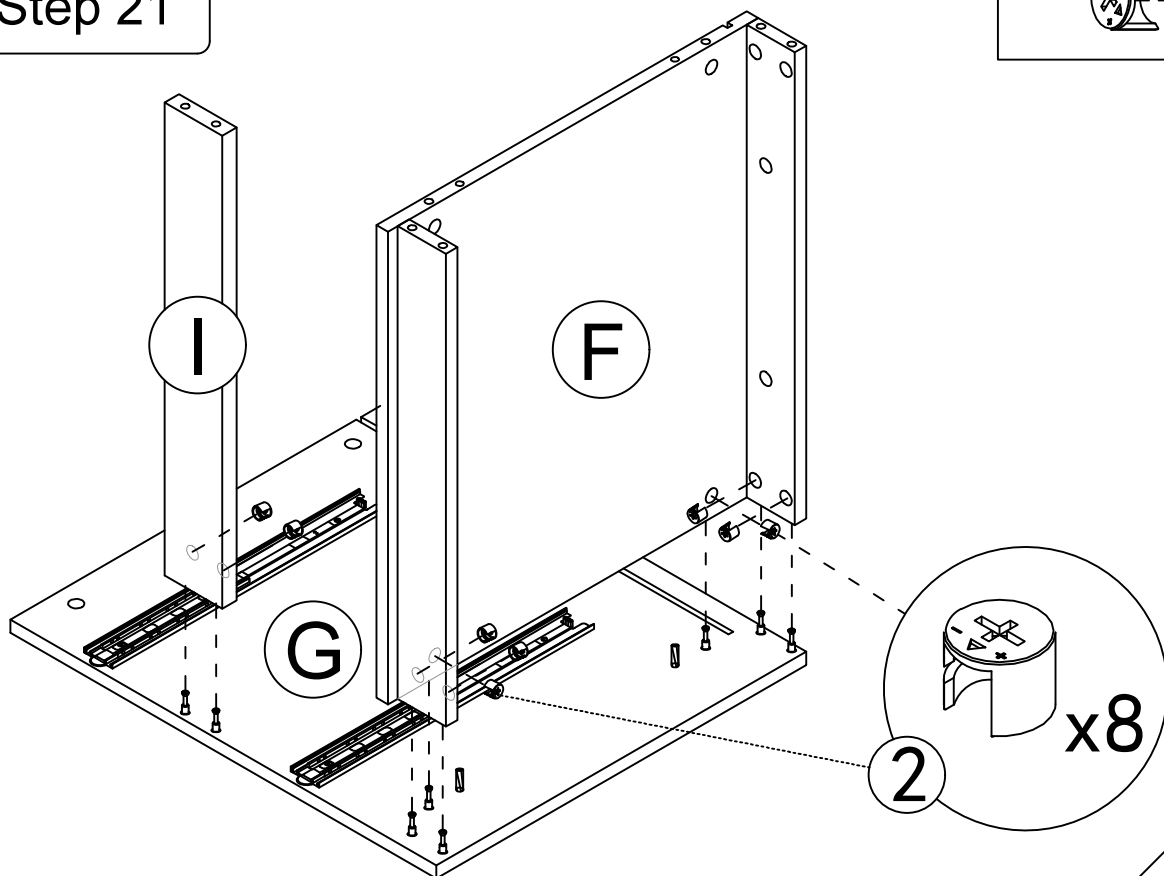


This hole is for strengthening fixed hole customers can choose to install according to their needs.

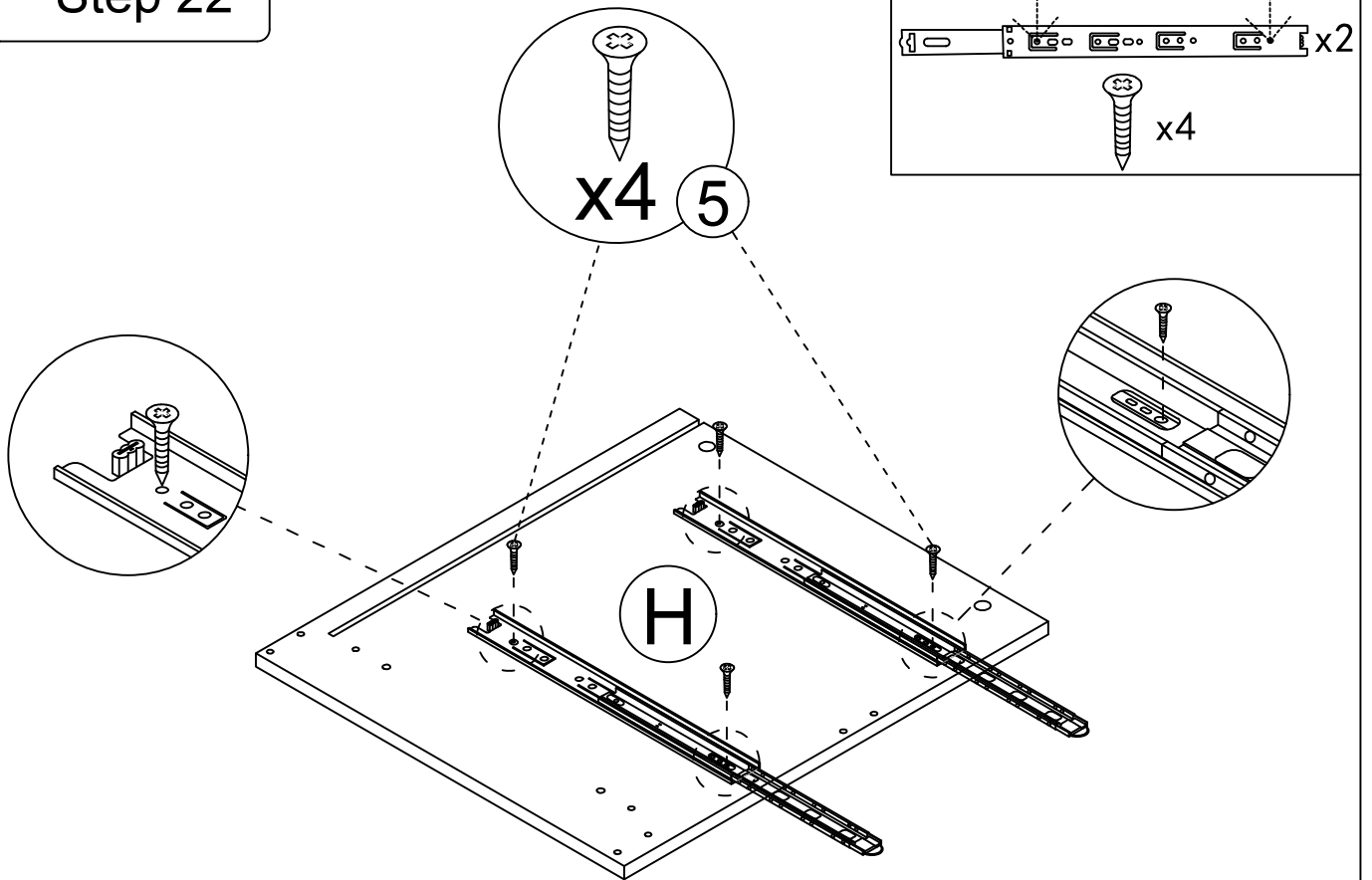
Step 20



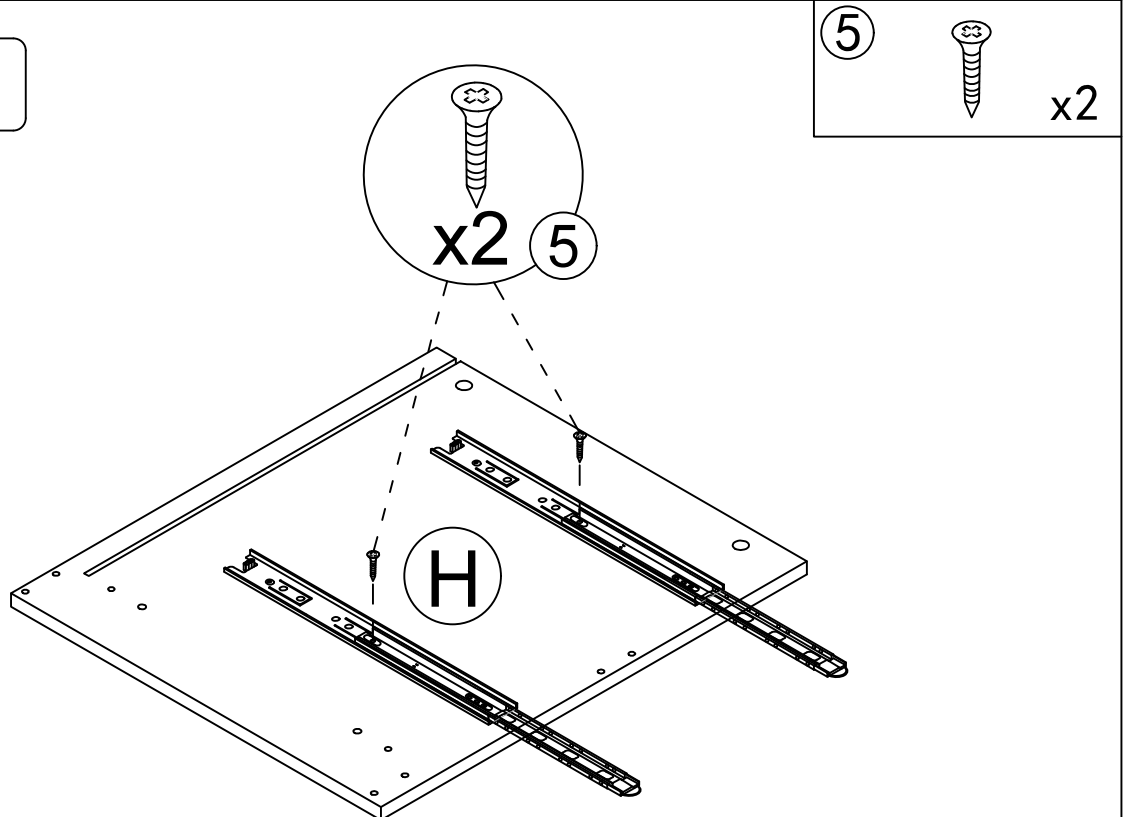
Step 21



Step 22

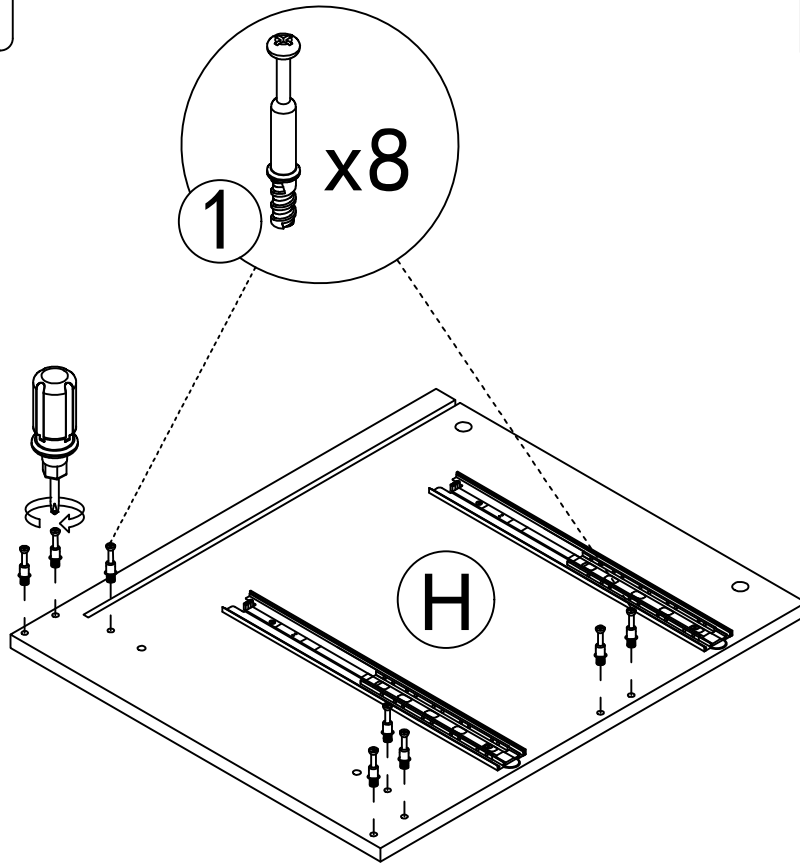
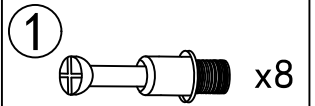


Step 23

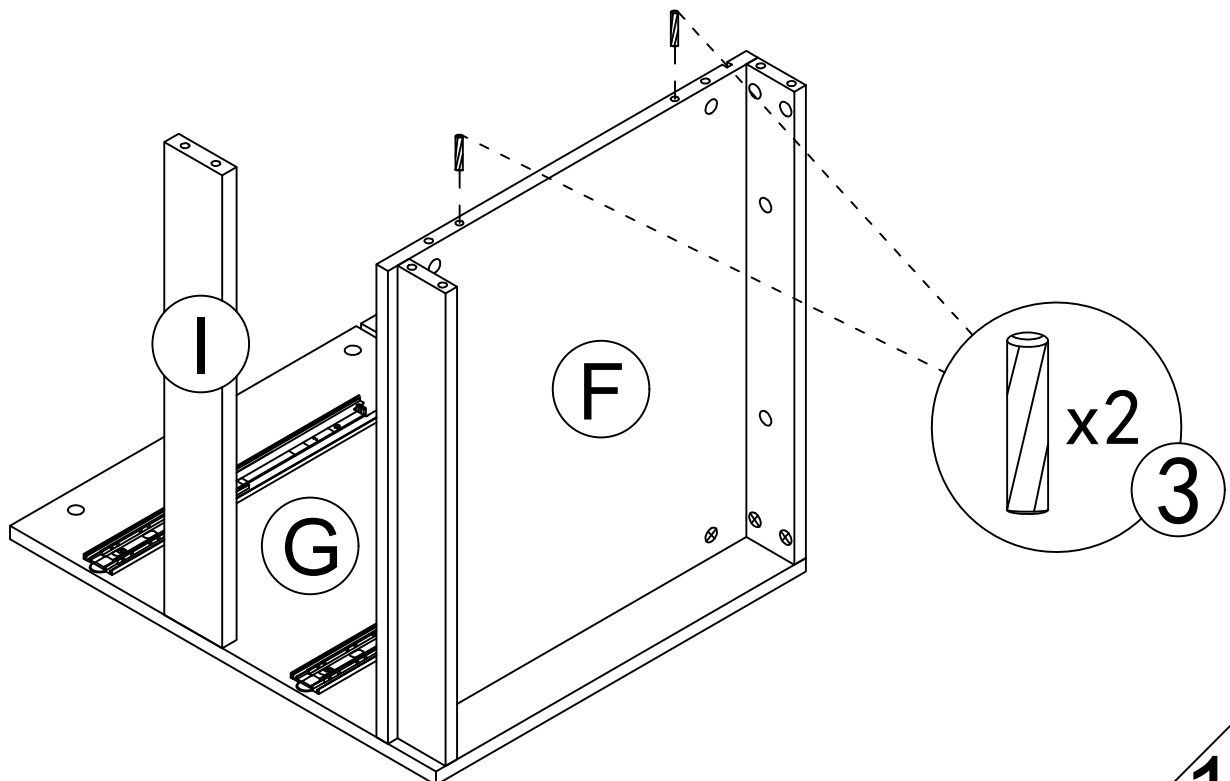
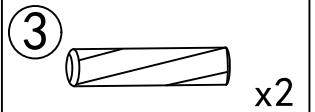


This hole is for strengthening fixed hole customers can choose to install according to their needs.

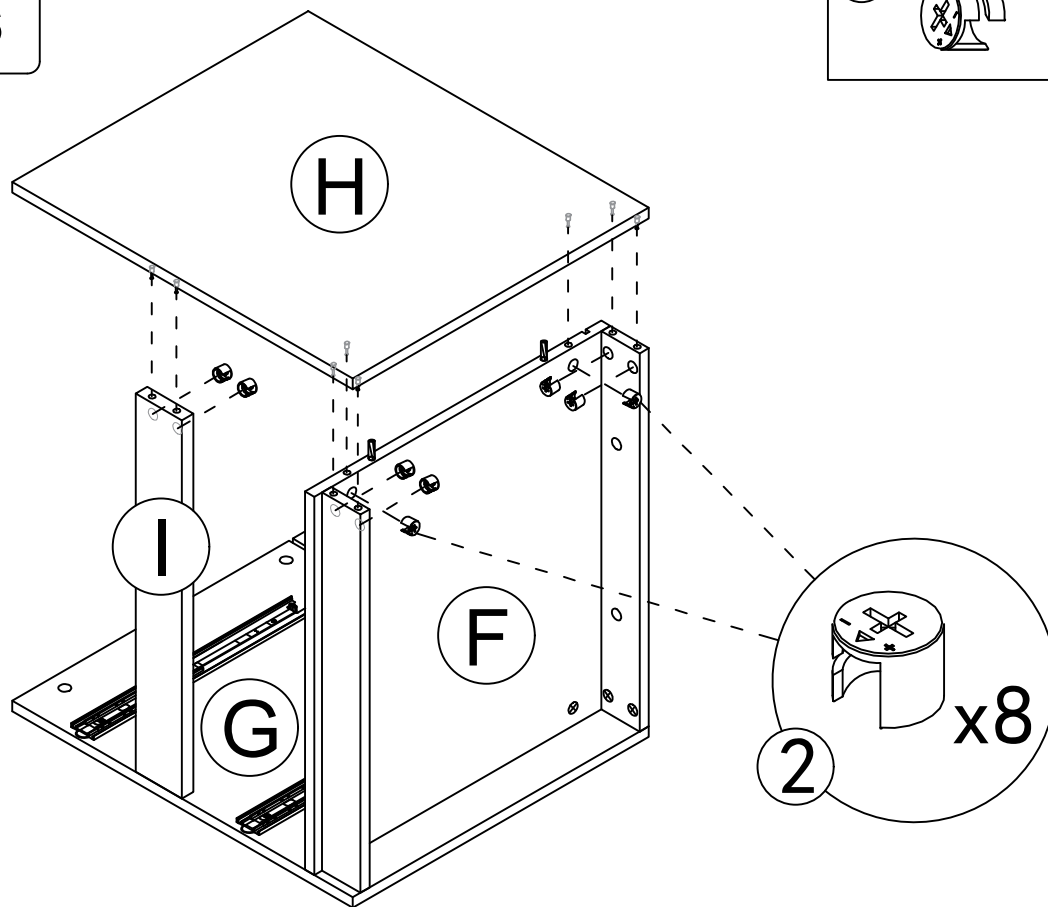
Step 24



Step 25

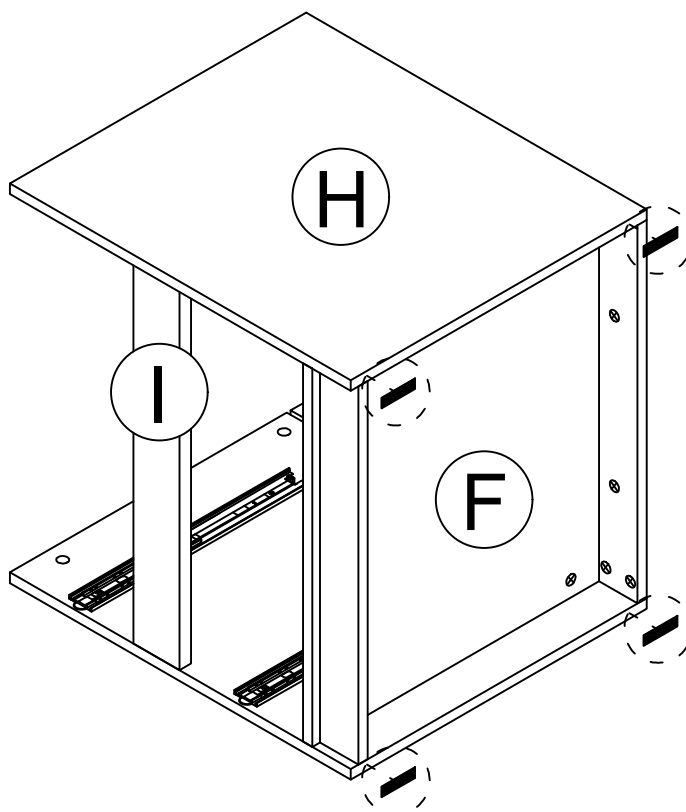
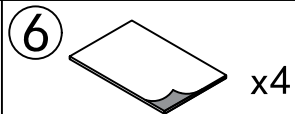


Step 26

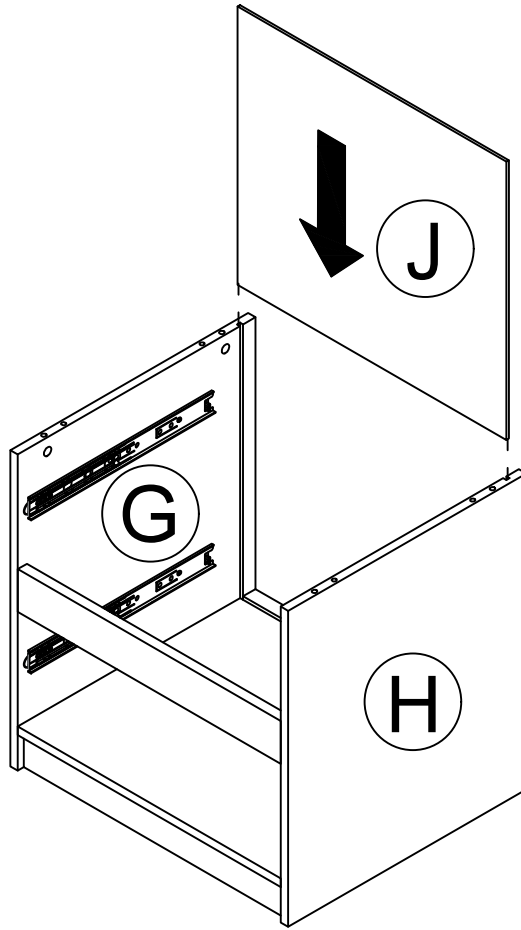


Step 27

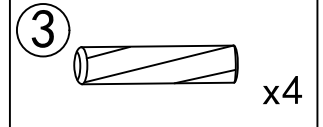
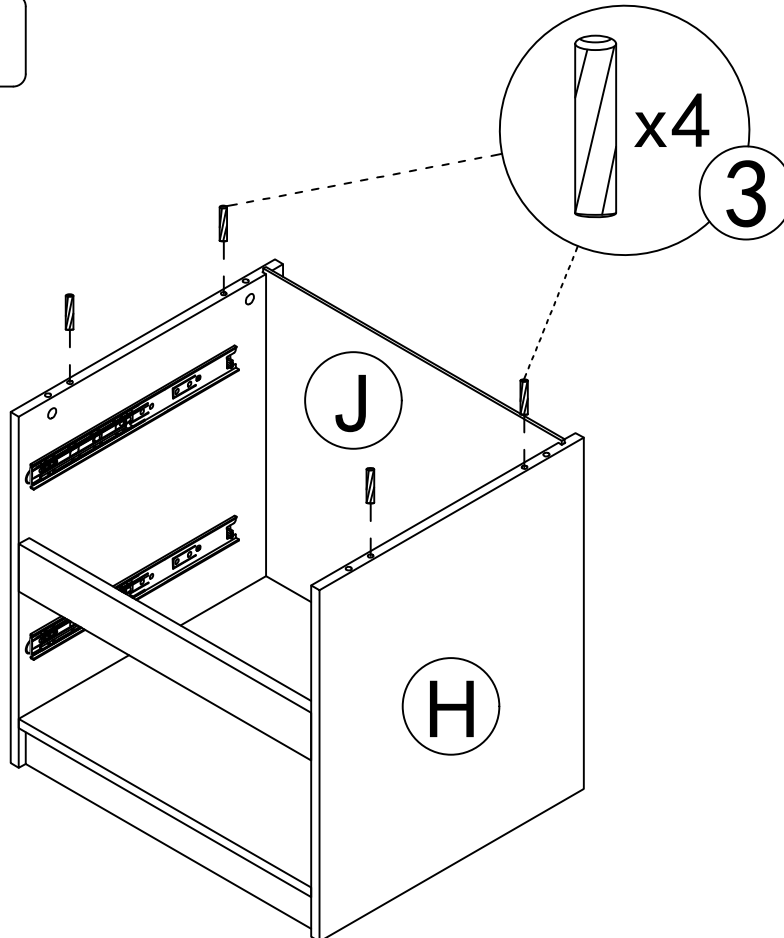
Tear off release paper and stick the black foot pad on the board



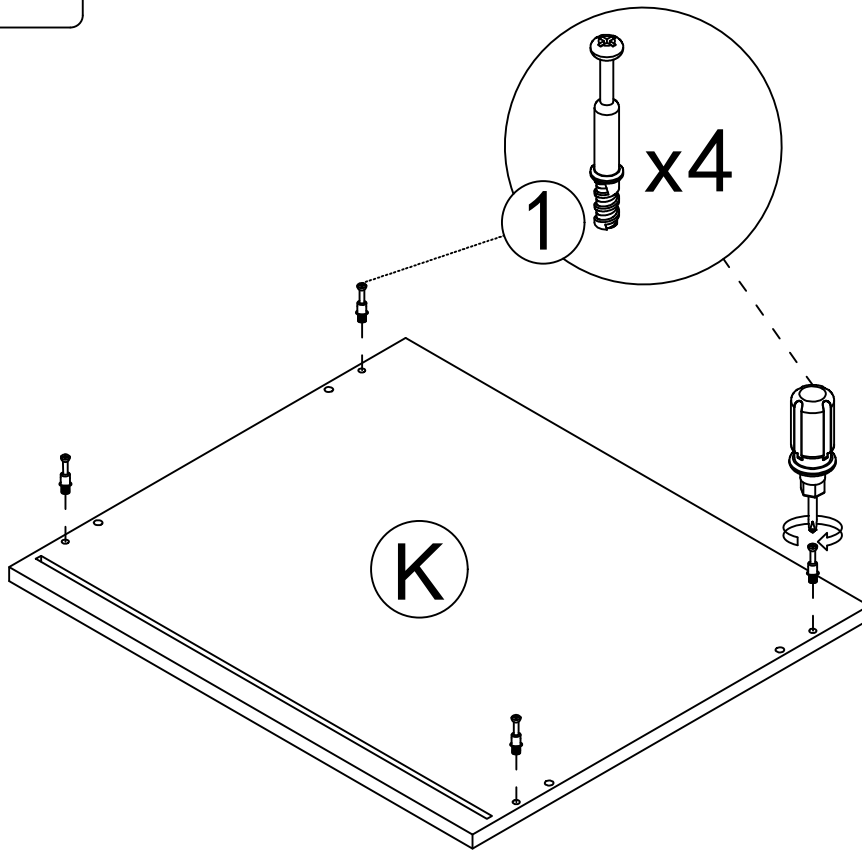
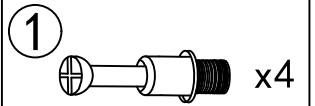
Step 28



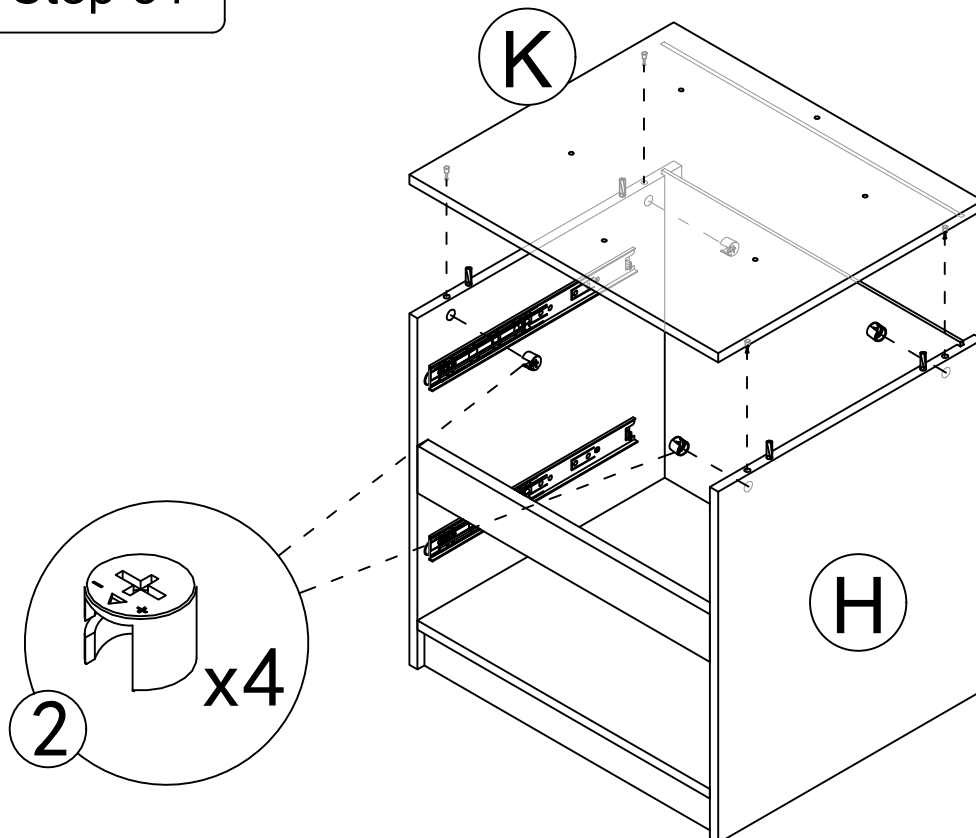
Step 29



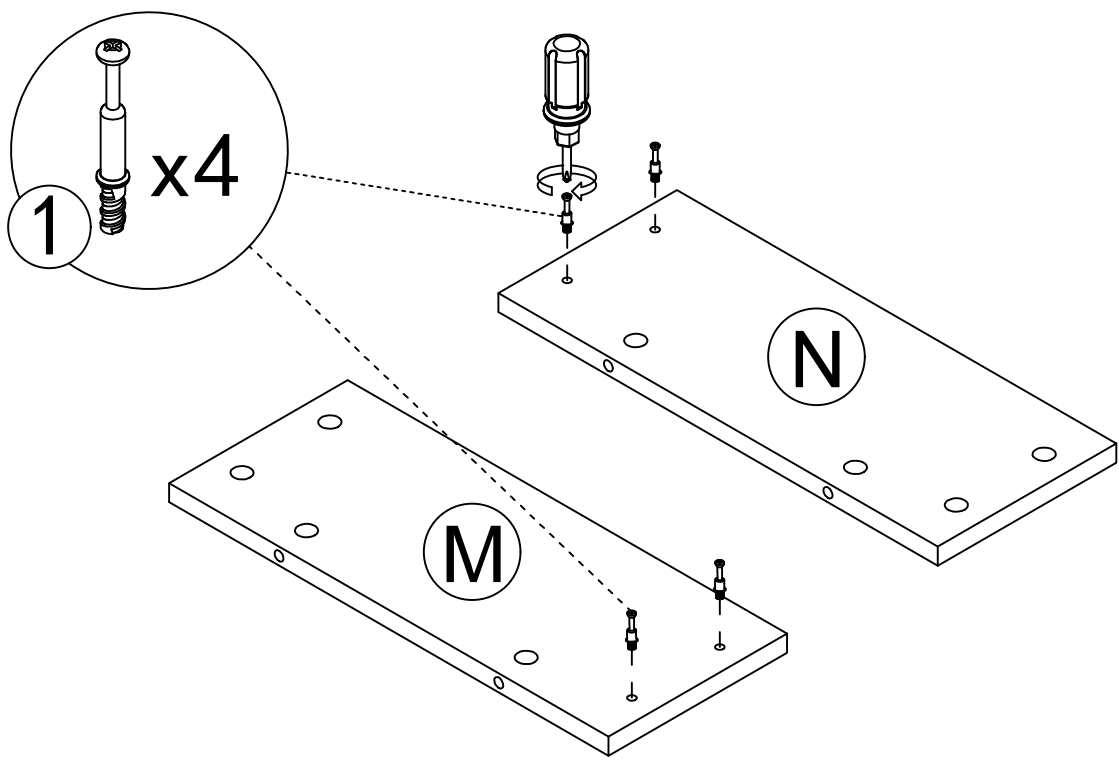
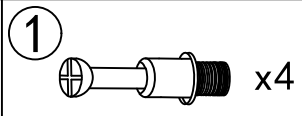
Step 30



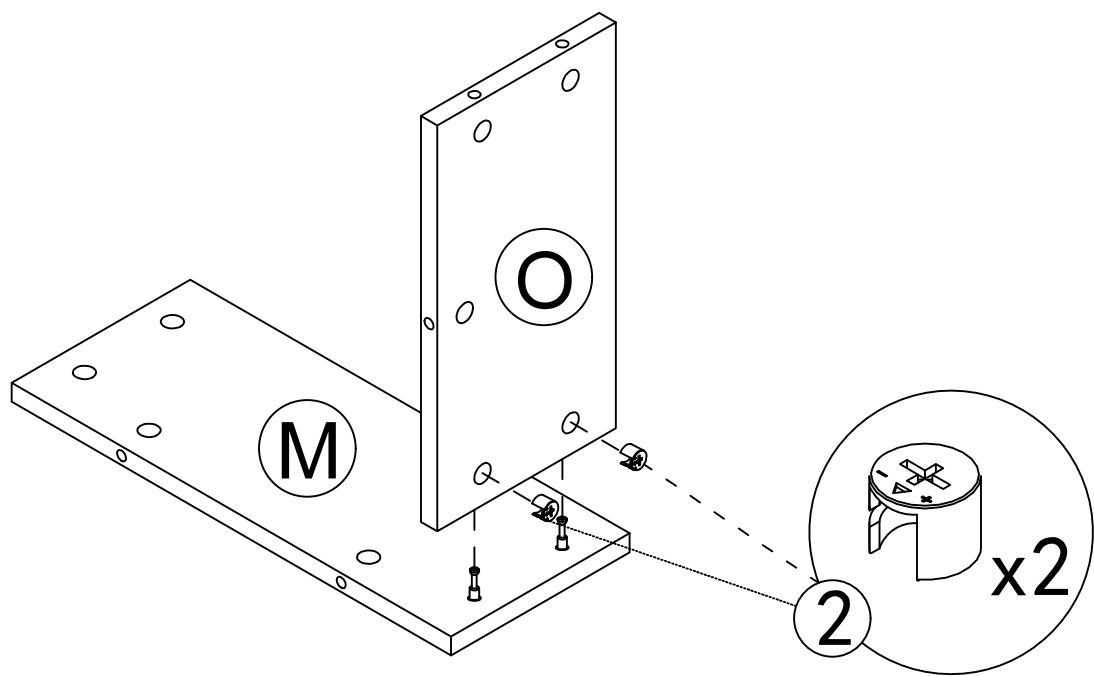
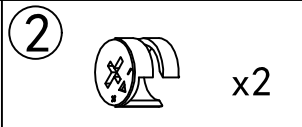
Step 31



Step 32



Step 33

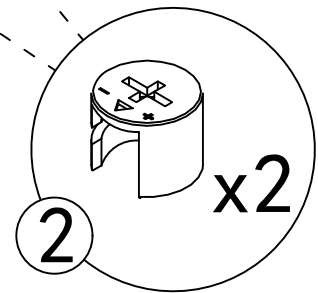
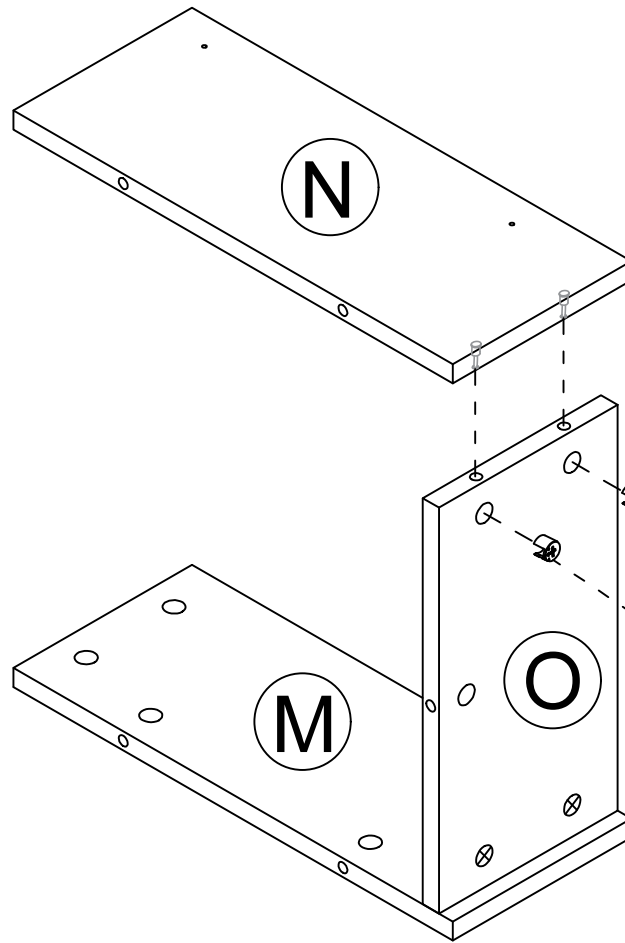


Step 34

2



x2

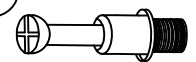


x2

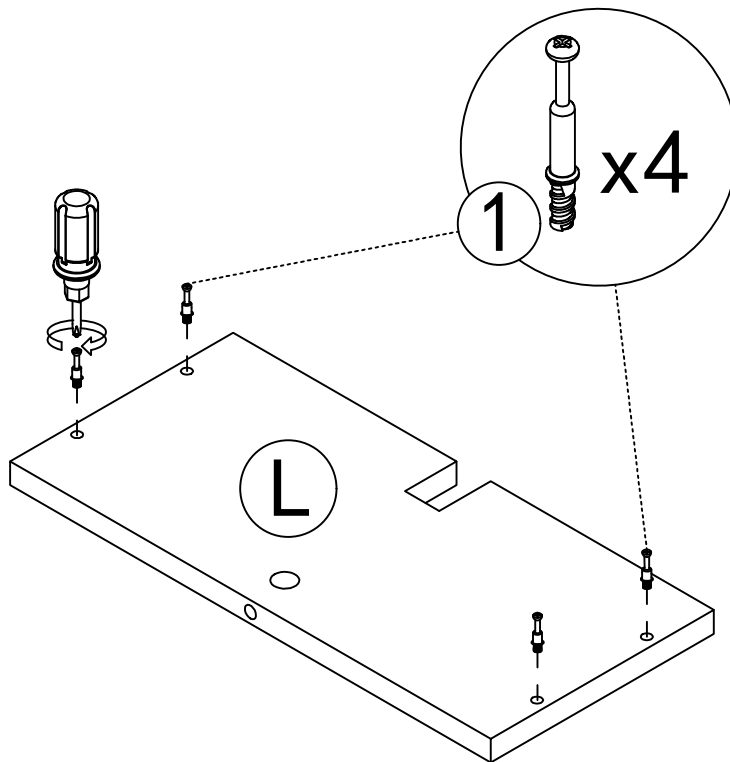
2

Step 35

1



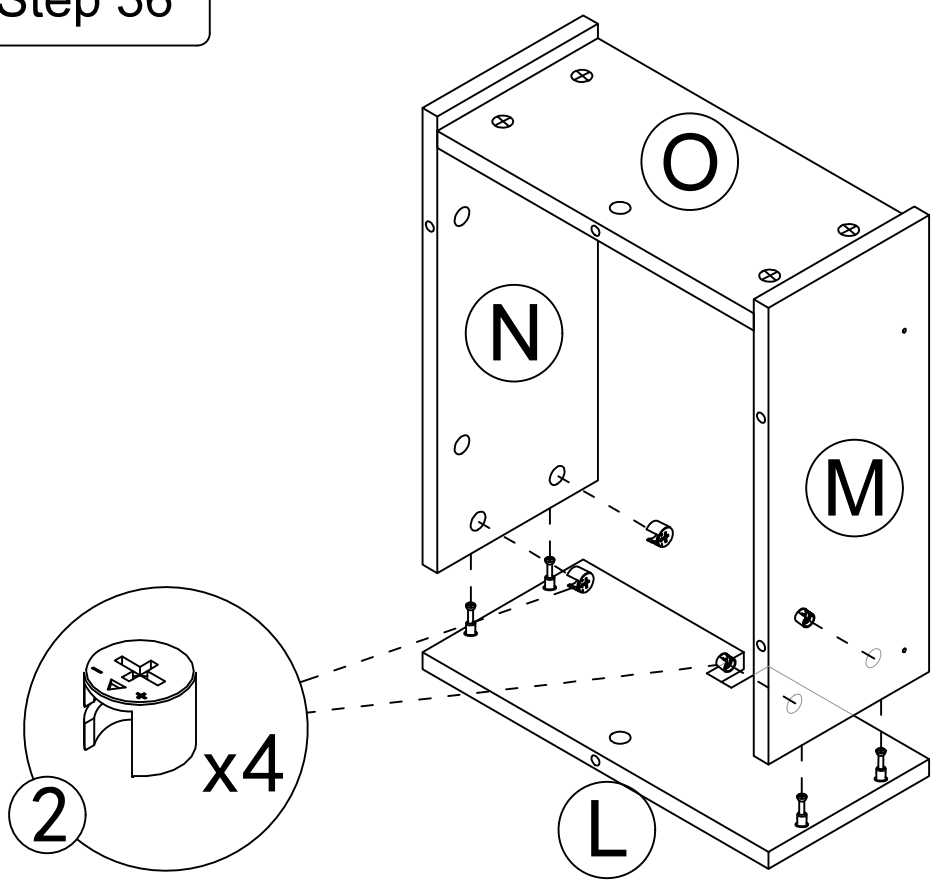
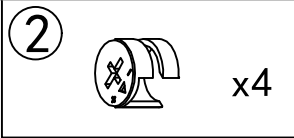
x4



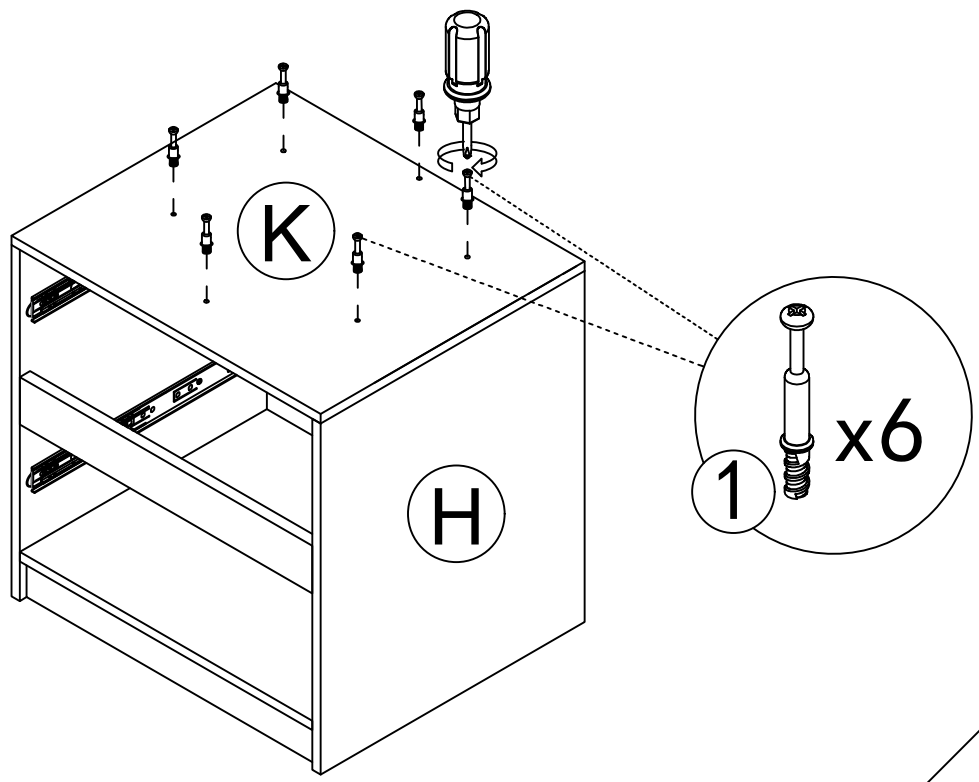
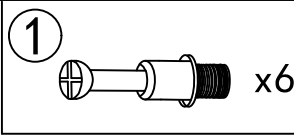
1

x4

Step 36




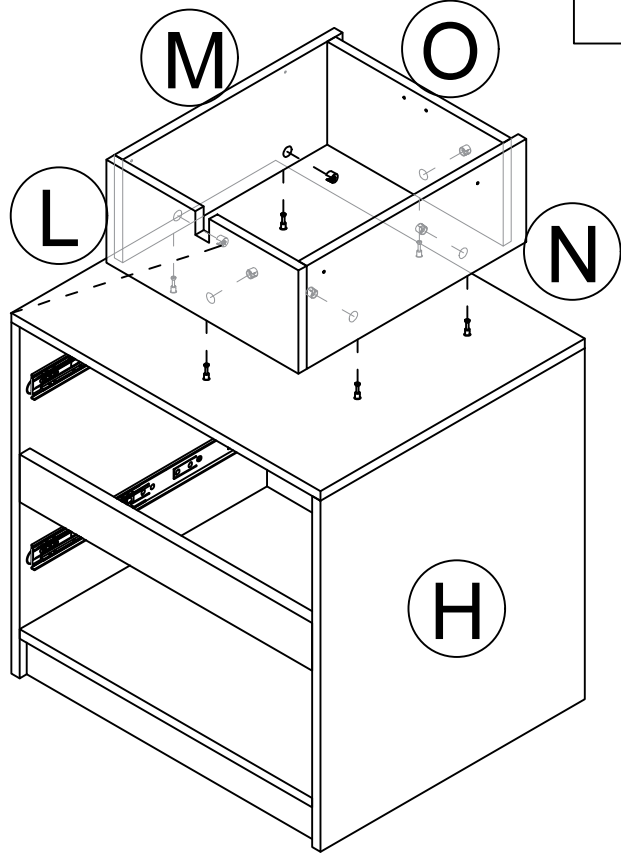
Step 37





Step 38

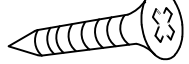
2  x6

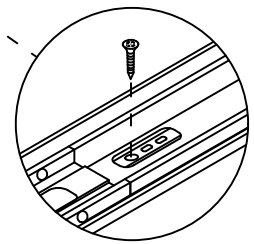
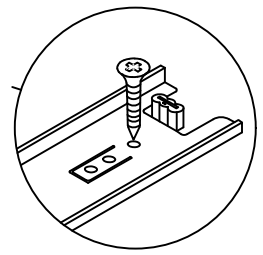
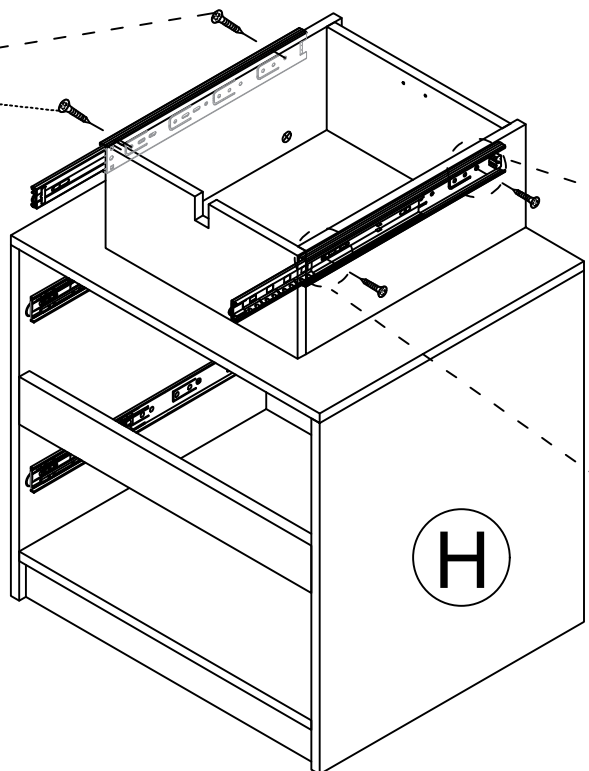
2  x6



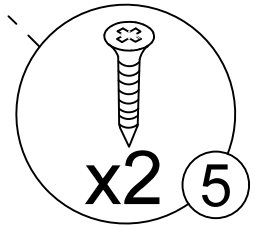
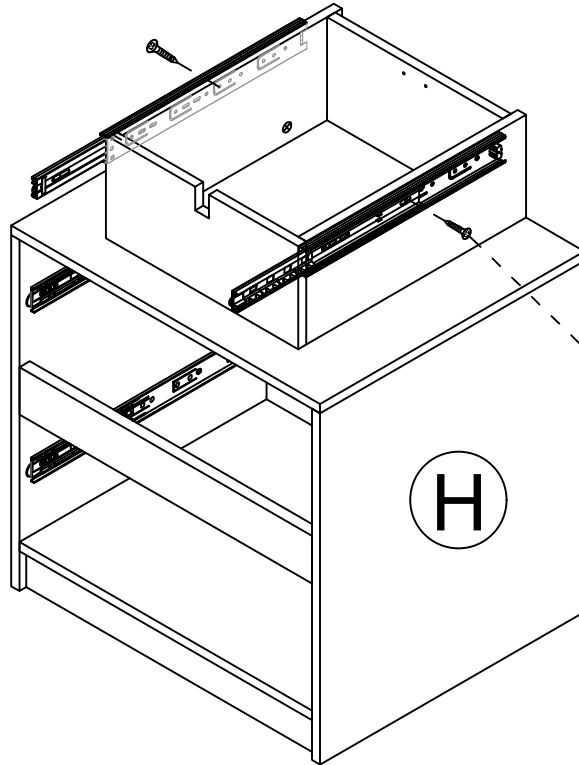
Step 39

5  x2
 x4

x4 5 

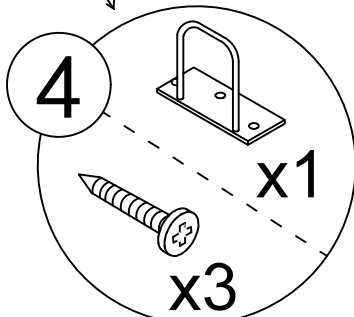
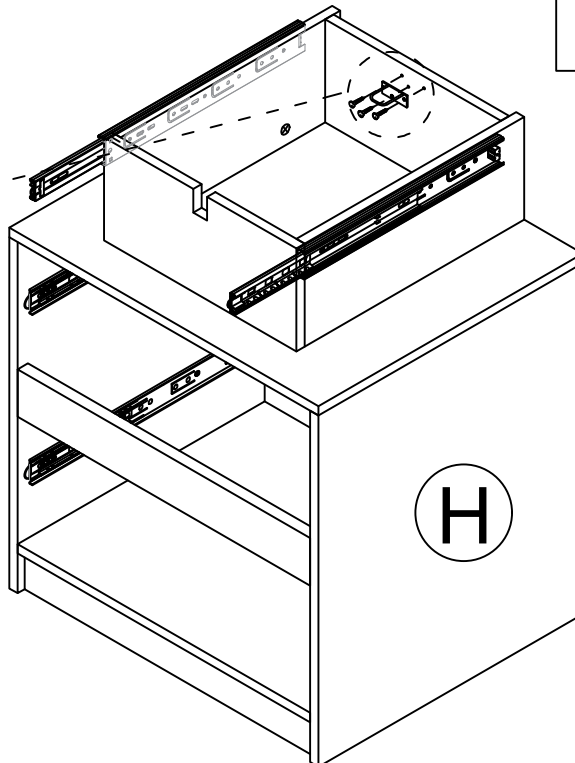
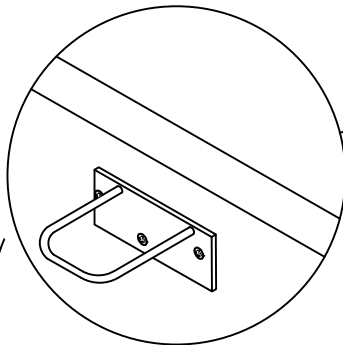
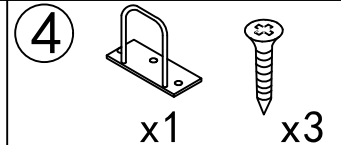


Step 40



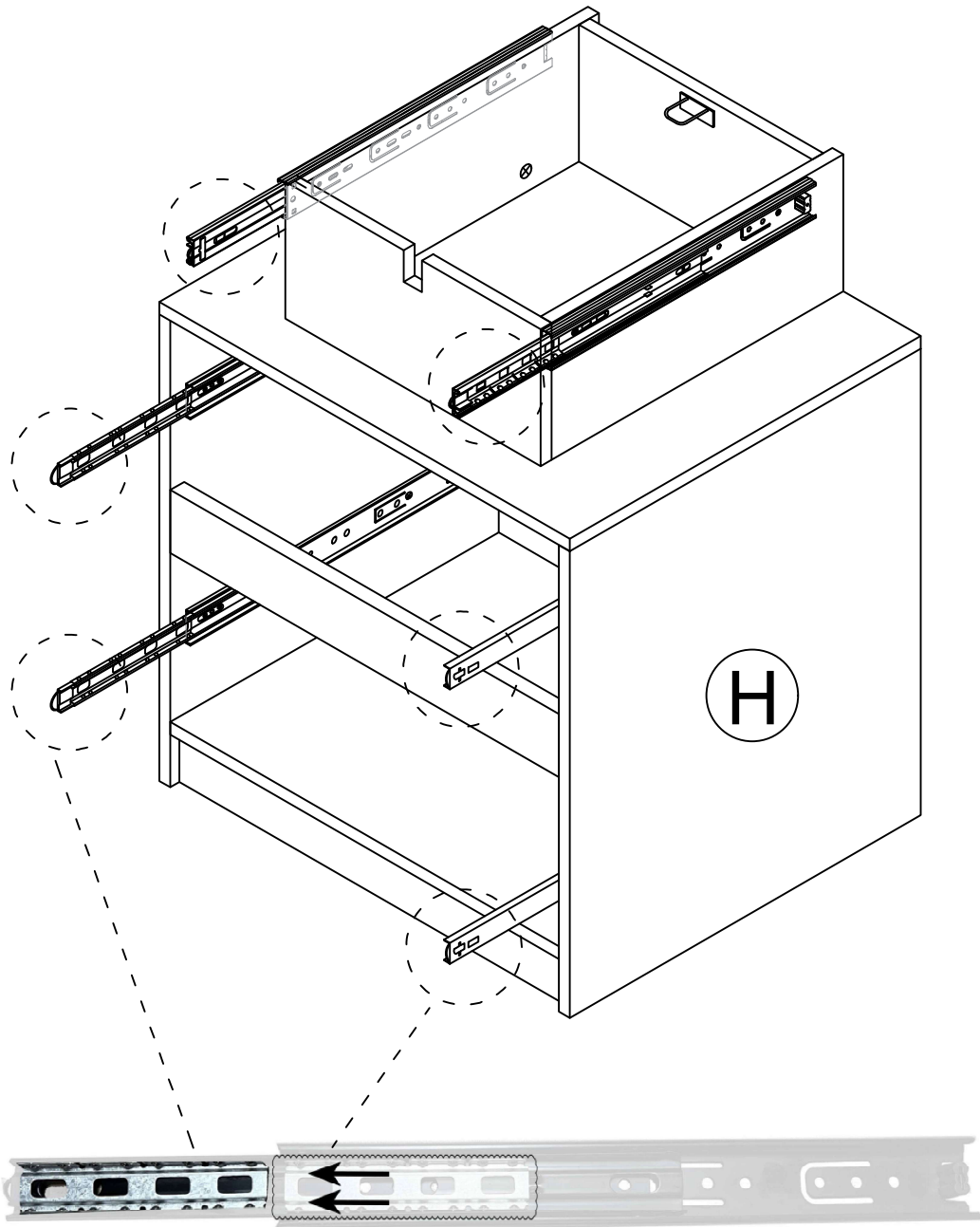
This hole is for strengthening fixed hole customers can choose to install according to their needs.

Step 41



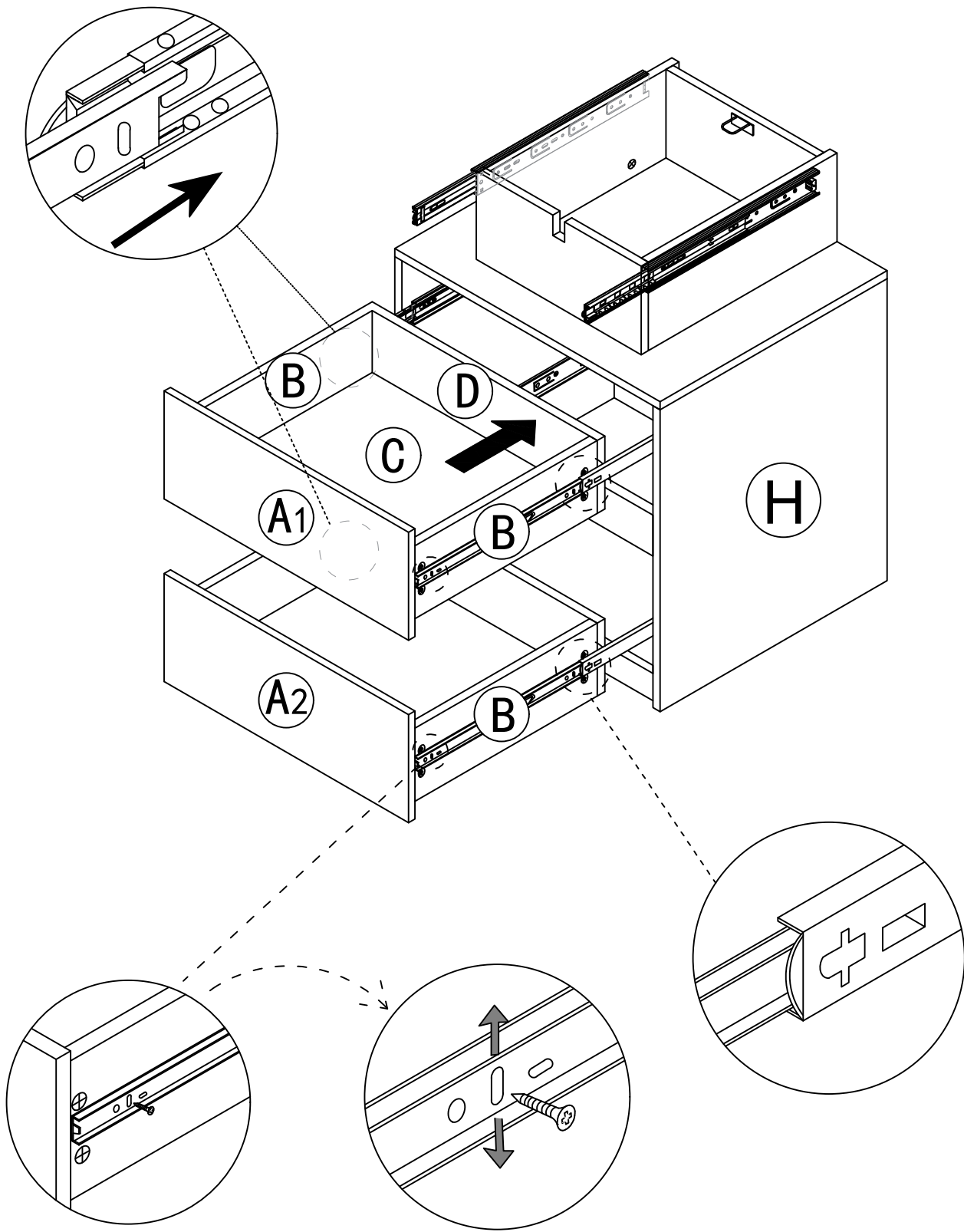
Attention: Do not install the hidden buckle upside down, otherwise the drawer will not lock properly

Step 42



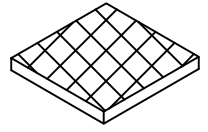
As shown, When installing the drawer, pull the guide rail out first, Slide beads are also pulled out.

Step 43

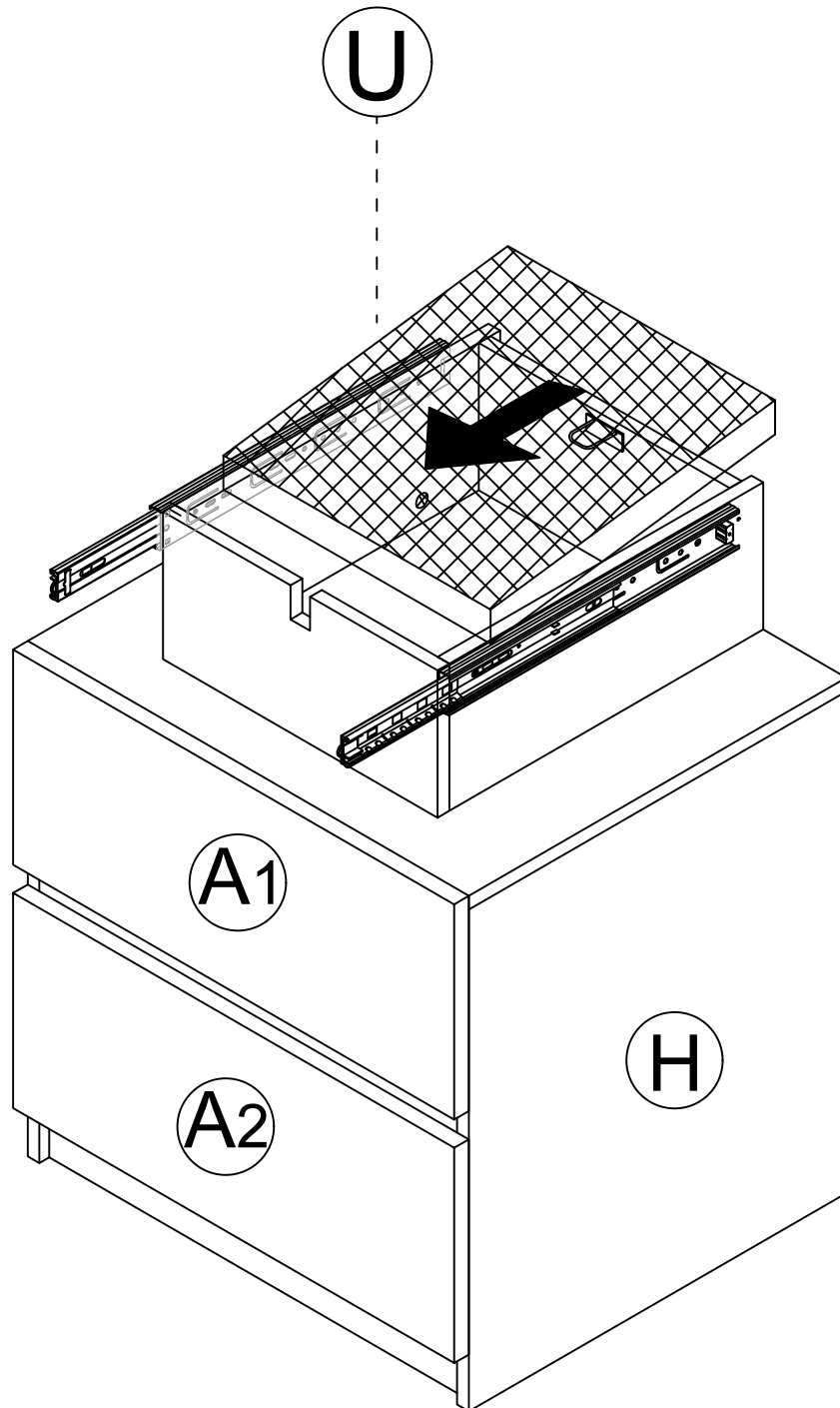


If a large gap is found after installing the drawer the slide rail can be moved up and down to adjust the gap

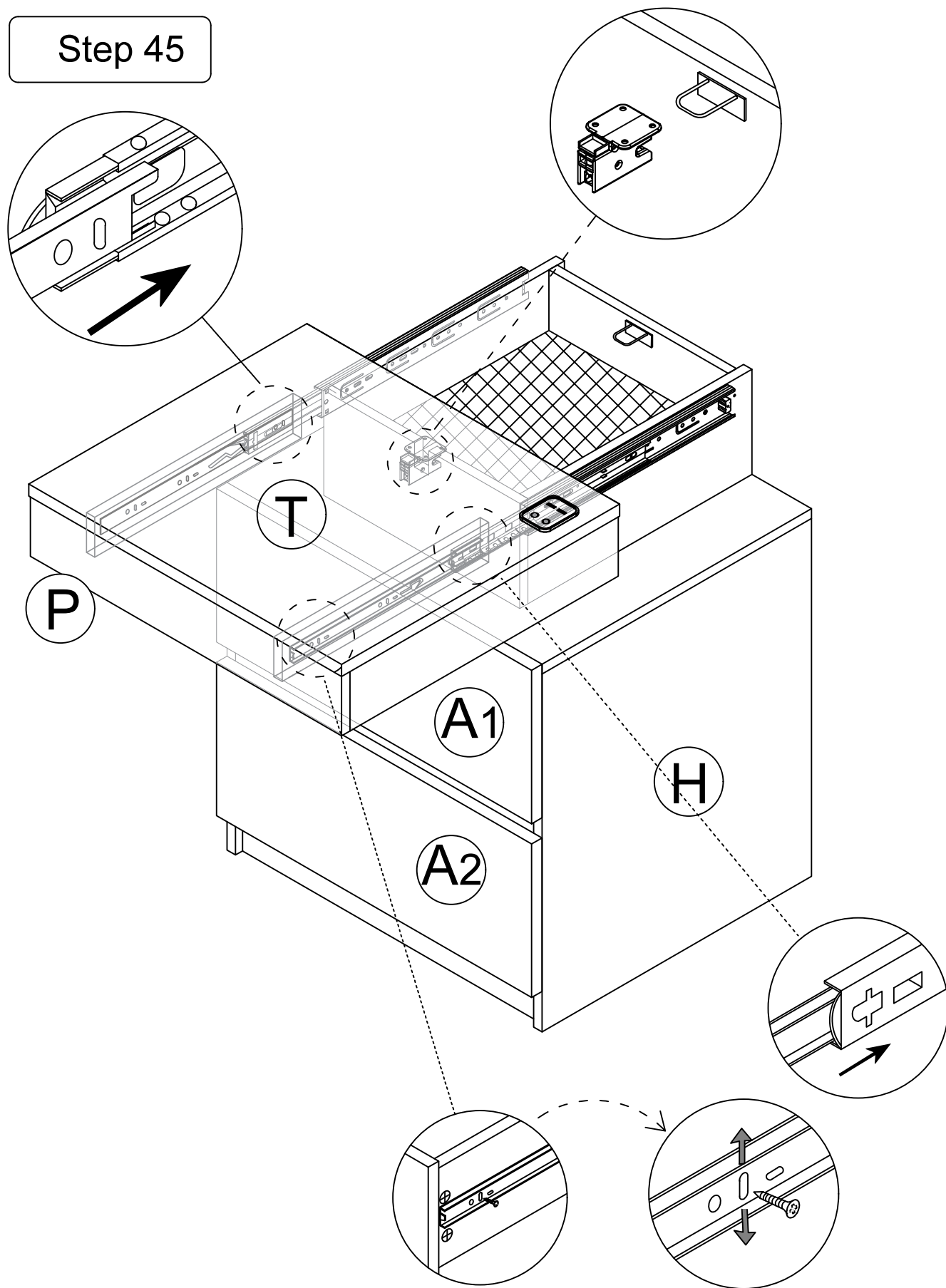
Step 44



Ux1



Step 45



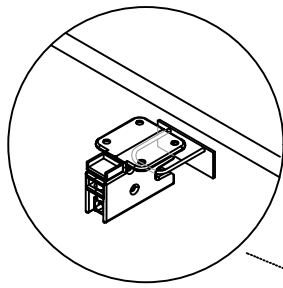
If a large gap is found after installing the drawer the slide rail can be moved up and down to adjust the gap

Step 46

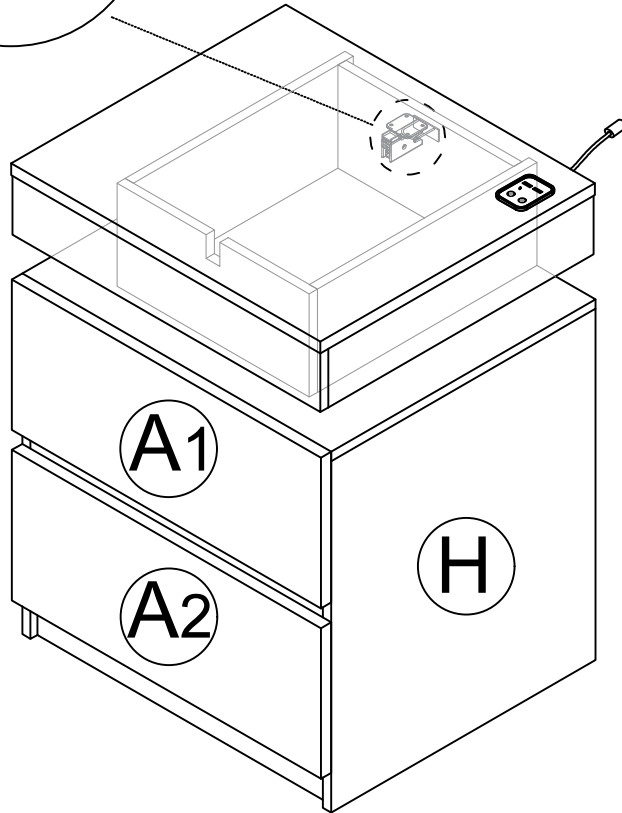
4



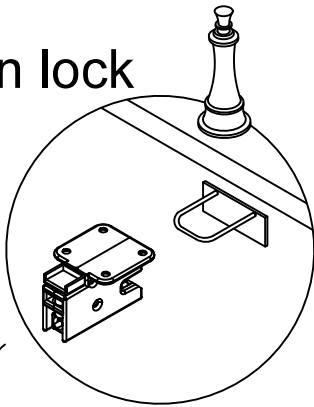
x1



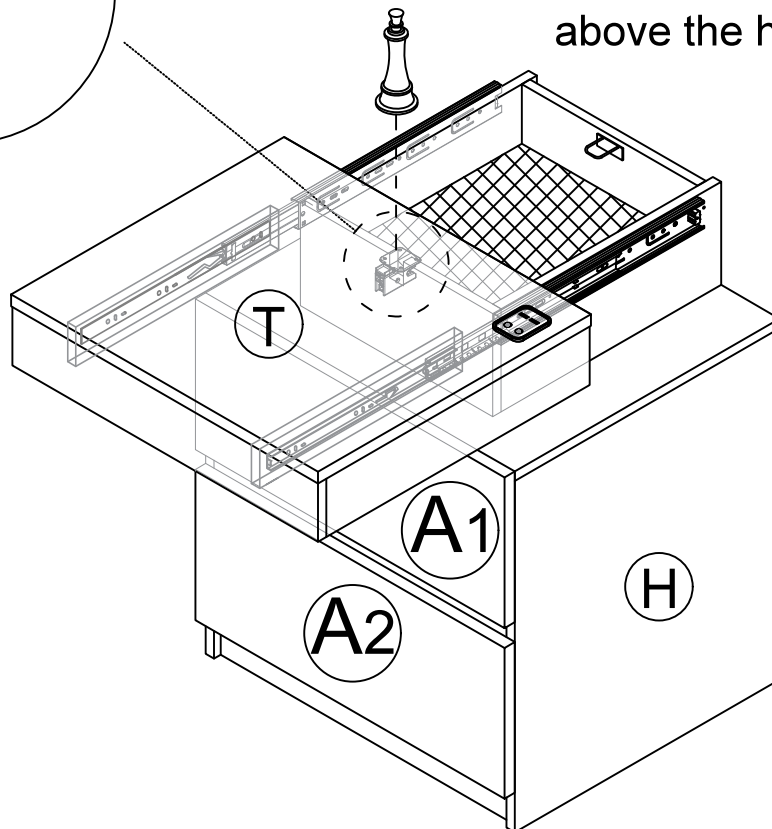
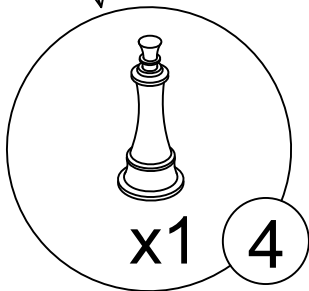
lock



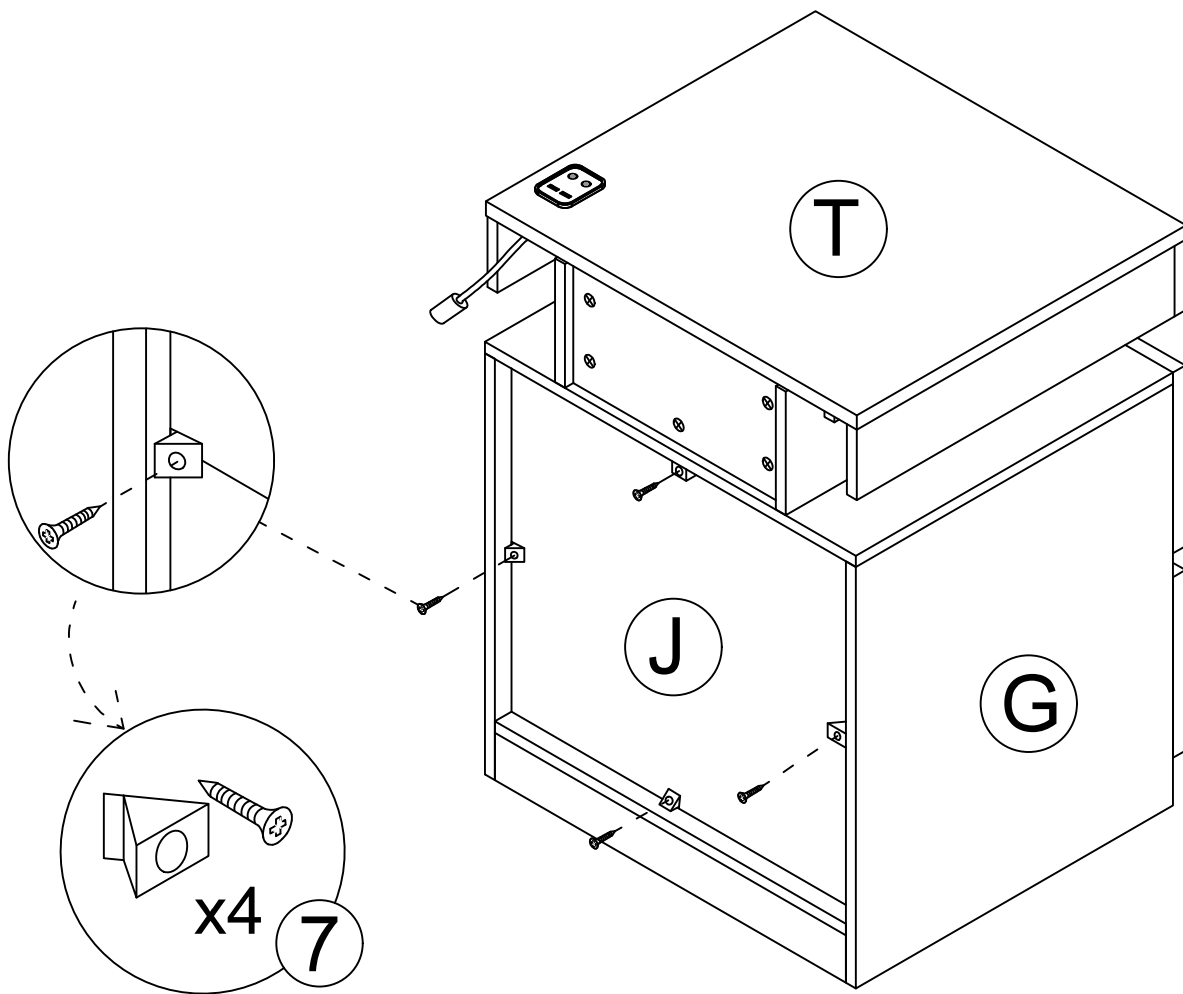
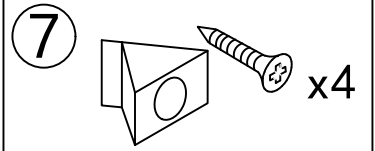
Open lock



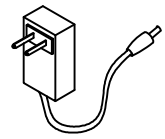
Place the magnetic key above the hidden lock



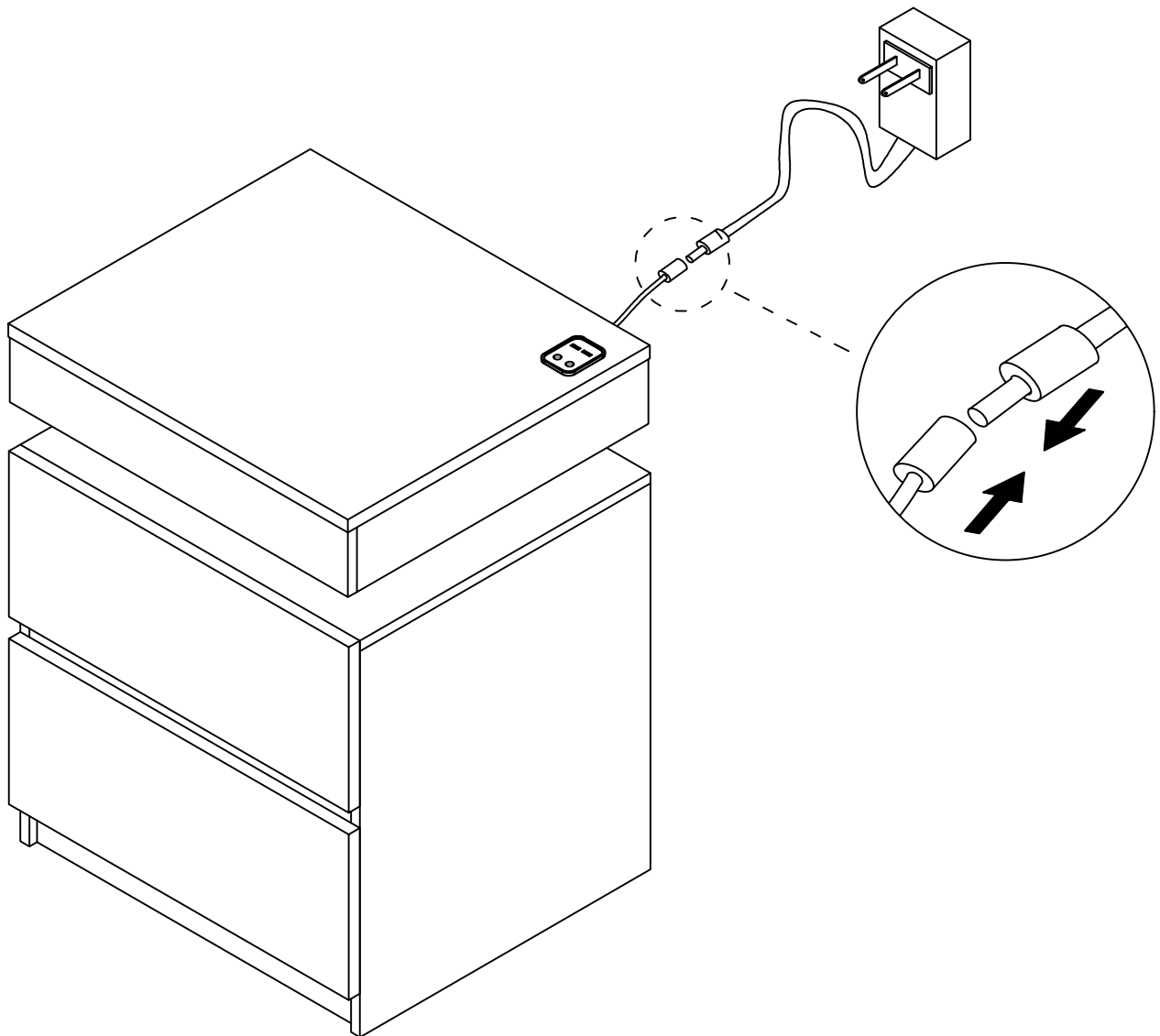
Step 47



Step 48



x1



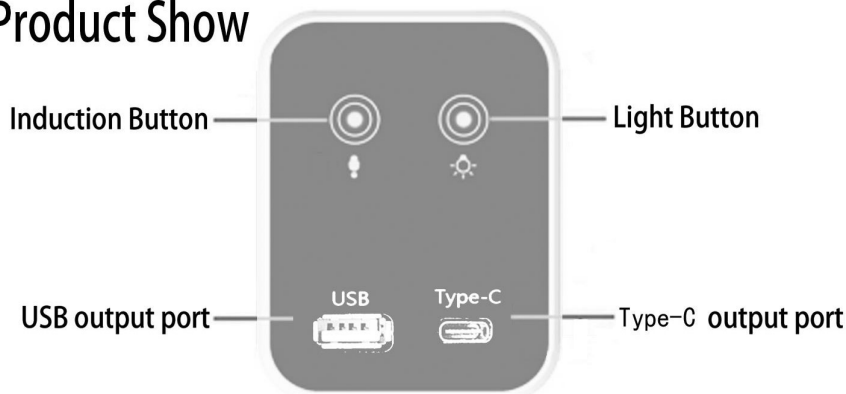
User's Guide

Thank you for purchasing this product. To use this product, please plug it into a 12V DC power supply. Please use if the product works normally after connecting to power.

Introduction

The box is an intelligent controller. It has 1 USB port and 1 type-C port and can distribute the current output up to 5V DC-2A. With 2 touch buttons, it can turn ON/OFF the light, change light colors, and adjust the light luminance.

Product Show



ATTENTION PLEASE

1. If there is no touch response suddenly, Re-plug the power to reset the touch static electricity.
2. If bubbles appear on the panel, remove the protective film.

Operation



This touch button is used to turn on/off, change colors, and adjust brightness.

A. Short touch -> lighting on -> short touch -> change light color -> short touch -> change light color -> short touch -> lighting off. B. Long touch -> adjust the luminance



This touch button is used to turn on/off the induction function.

A . Short touch to turn on the induction function. It can auto-turn on the light when people are close to the controller in 1 meters. It can auto power off the light when the body is far away from the controller after 30 seconds.

B . Long touch to turn off the induction function.

C . Note: When you touch the light button to change the light modes, the induction function will automatically turn off. It is best to turn on this function after selecting the light color and adjusting the brightness you want.