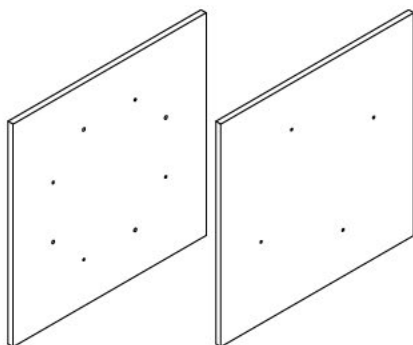
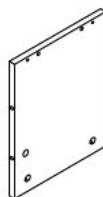


Ax1



Bx1



Cx4



Dx4



Ex28



Fx24



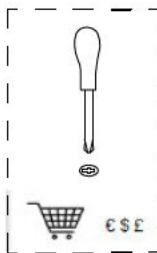
Gx24



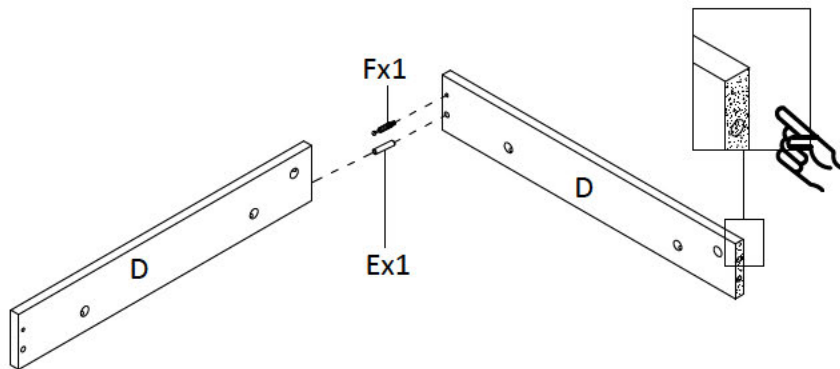
Hx4



Ix1



①

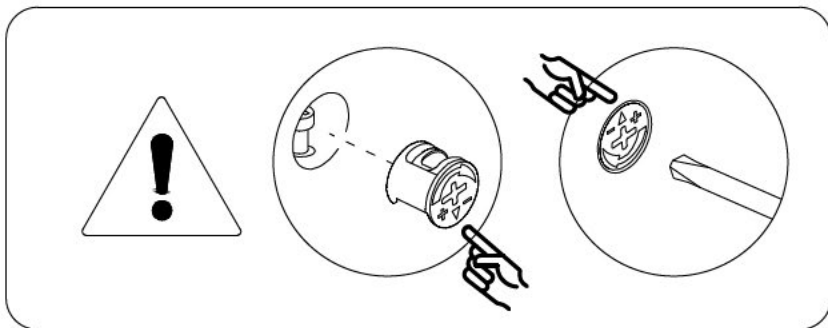


Ex2



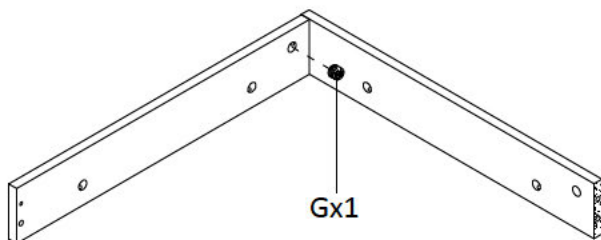
x2

Fx2



2

Gx2



Gx1

a

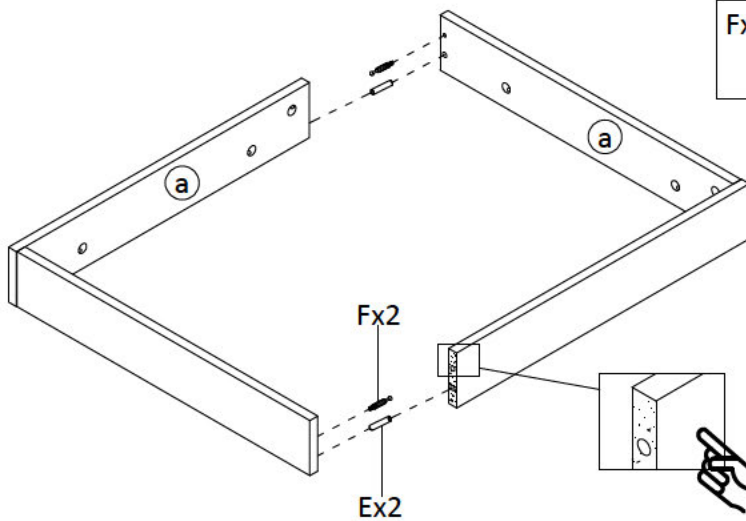
x2

3

Ex2



Fx2

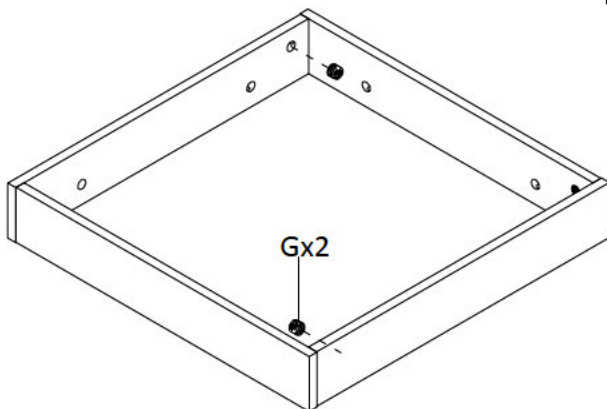


Fx2

Ex2

4

Gx2

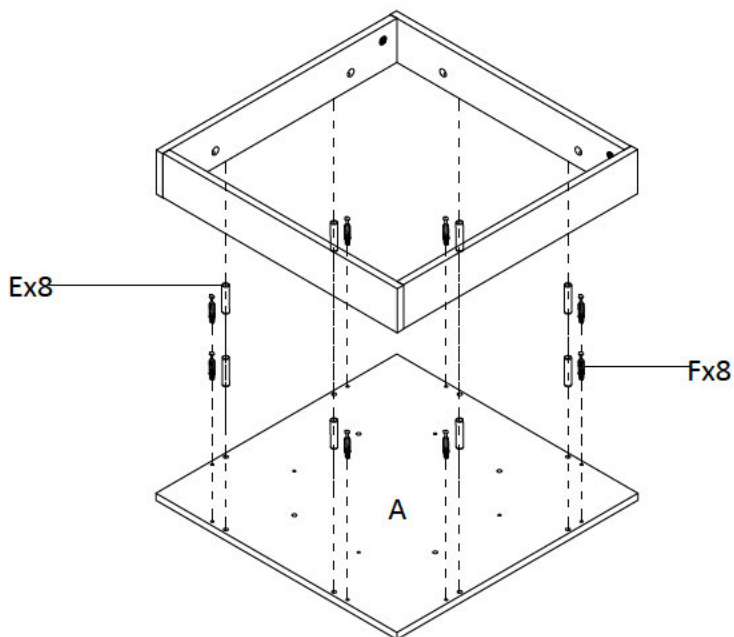


5

Ex8

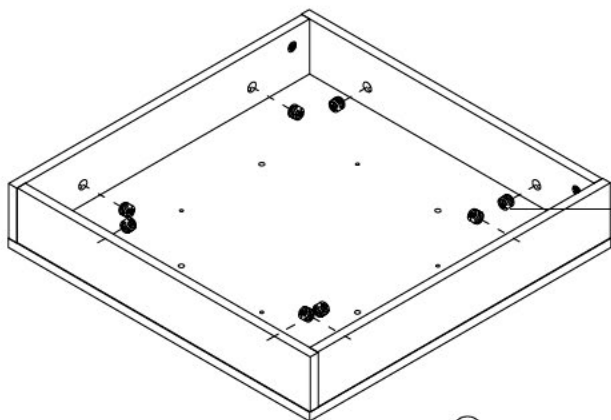


Fx8



6

Gx8



Gx8

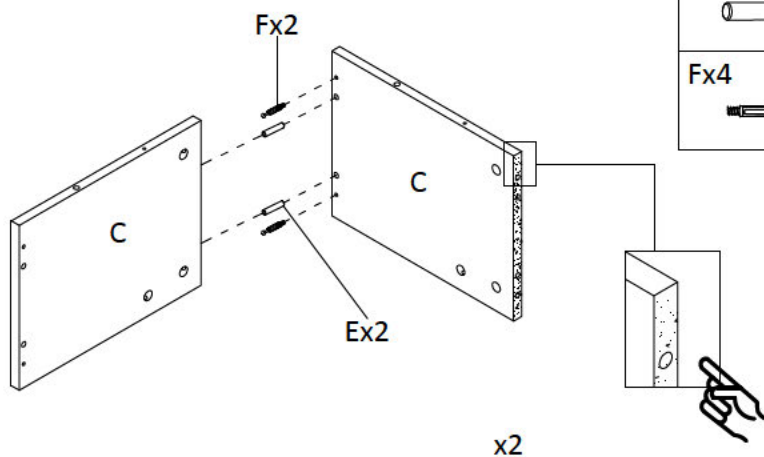
b

7

Ex4



Fx4

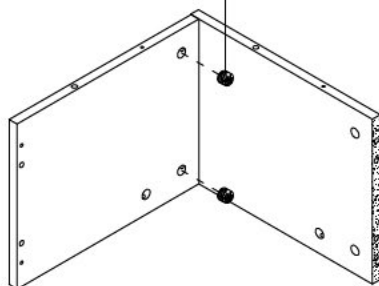


8

Gx4



Gx2



x2

9

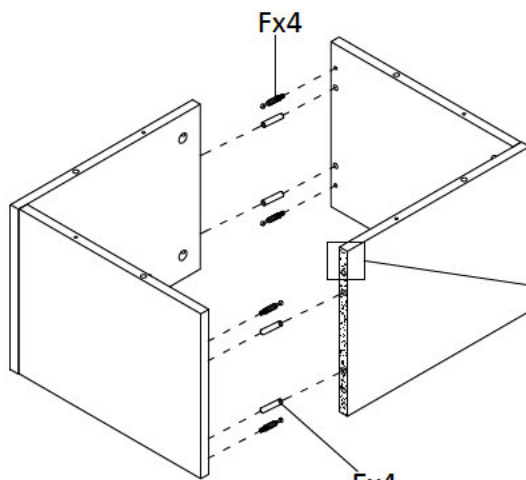
Ex4



Fx4



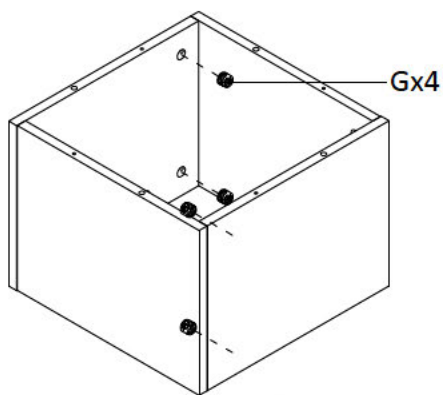
Fx4



Ex4

10

Gx4



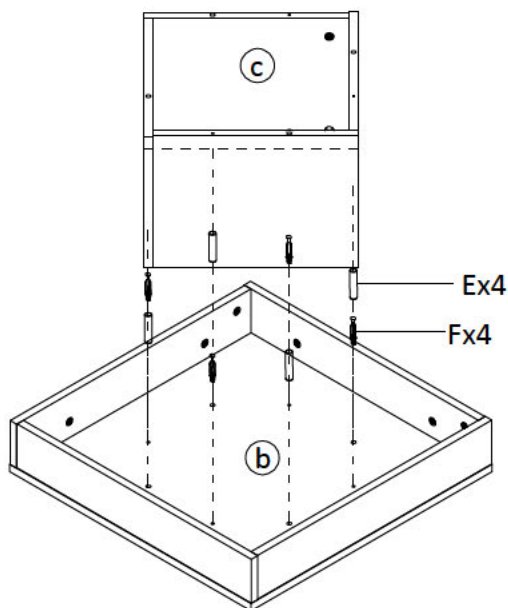
c

11

Ex4



Fx4



c

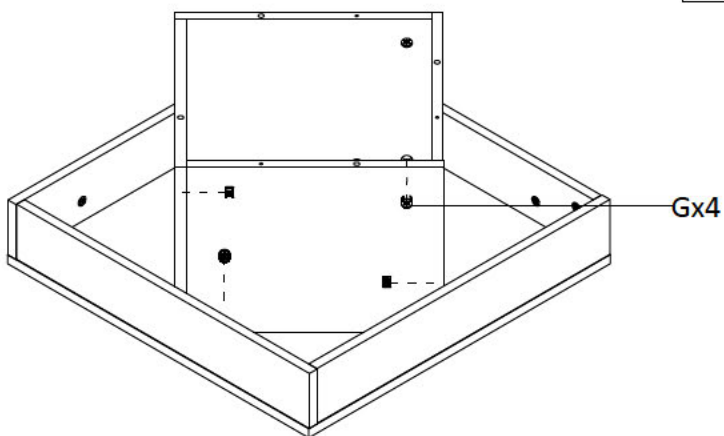
b

Ex4

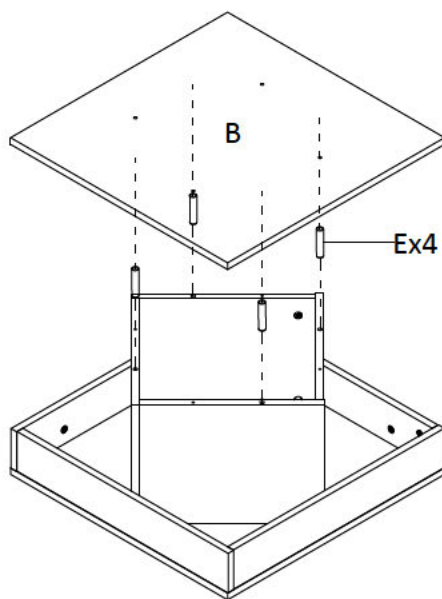
Fx4

12

Gx4



13

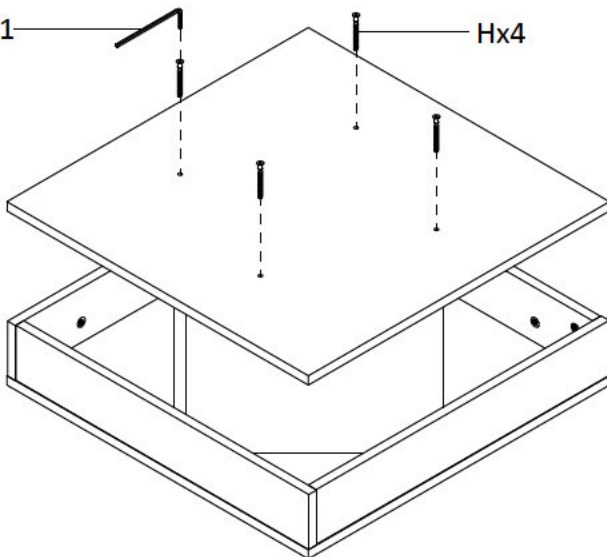


Ex4



14

lx1



Hx4

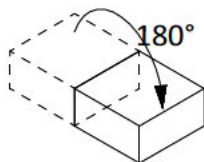
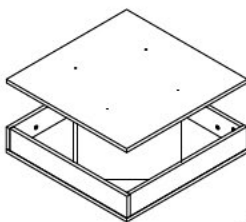
Hx4



lx1



15



x2

