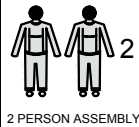


140 MIN  
APPROXIMATE  
ASSEMBLY TIME



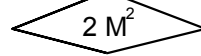
2 PERSON ASSEMBLY

Number of  
packages



REQUIRED  
ASSEMBLY SPACE

FLOOR AREA 1M x 2M



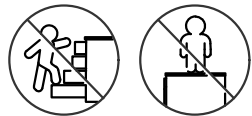
Thank you for purchasing our products. Please contact us if you have difficulty with assembly or need replacement parts. Our customer service is here to assist you. Please attach your User Name and Order ID so that we can assist you better.  
support@jojoka.net

## Assembly Manual

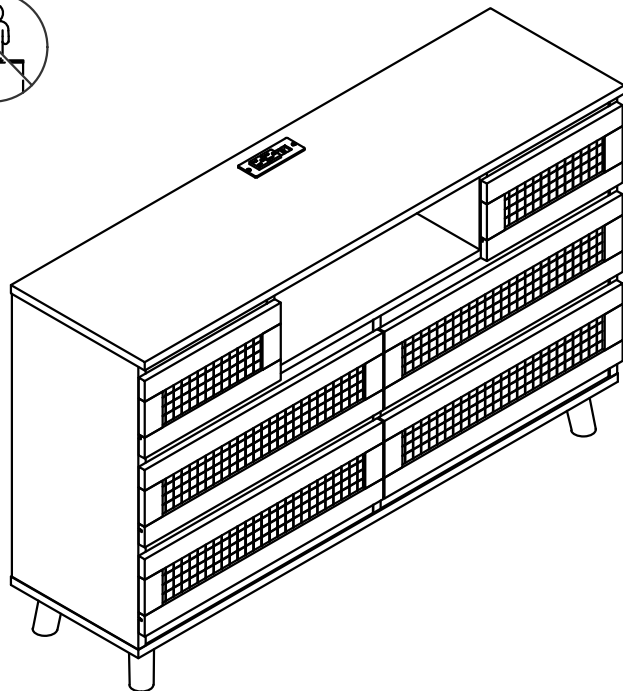
Tools needed:



Crosshead  
Screwdriver Hammer



Climbing  
Prohibit



Please read this manual carefully before any operation and keep it properly for future use.

## Maintenance skills

1. Use a clean and soft cloth to remove dust regularly; do not use solvents;
2. If you are in a humid environment for a long time, you must ventilate and exhaust moisture to avoid the furniture from being immersed in water;
3. Keep away from high temperature sources such as stoves, radiators, etc. to prevent the furniture from deforming.

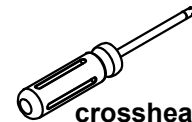
### ⚠ WARNING

Keep all parts out of the children's reach.

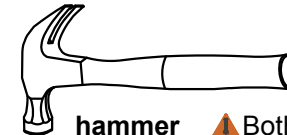
IMPORTANT: Tipping can injure young children.

### NOTE

- You need to have a crosshead screwdriver and hammer beforehand.



crosshead screwdriver

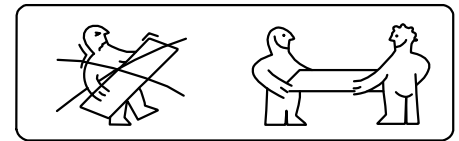
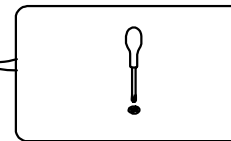


hammer

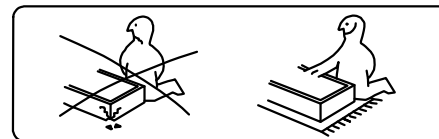
⚠ Both not included in package.

- Place all the panels on a clean and smooth surface, such as a rug or carpet, to prevent them from being scratched.
- Make sure that all parts in your product package, including panels and accessories, match up with those listed in the **Panels & Accessories list**.
- Don't tighten screws or bolts until all the pieces are fitted.
- It is recommended to have 2 persons to complete the assembly.
- Please contact us if you have any questions: E-mail: support@jojoka.net.

### NOTE

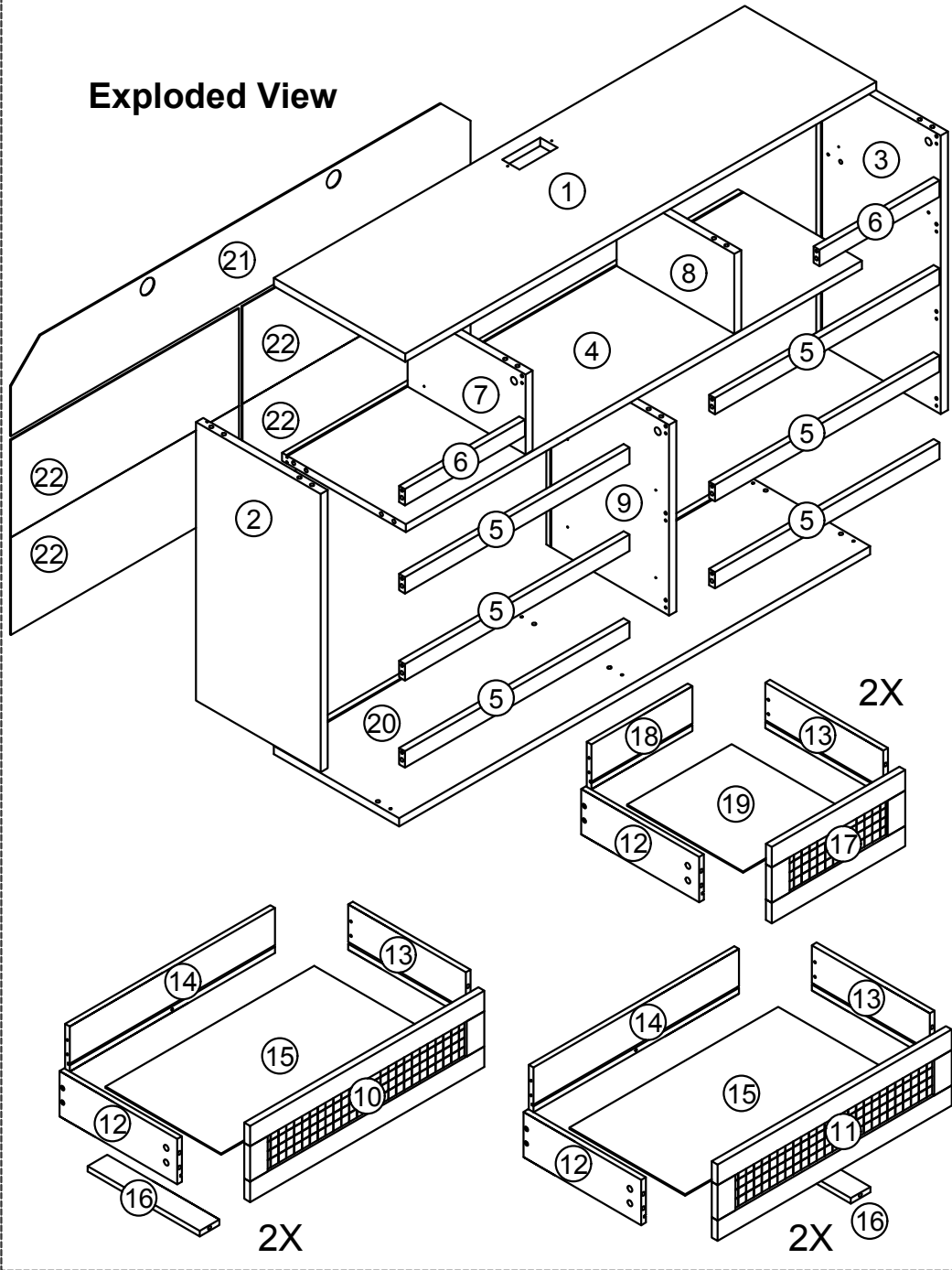


① Safe carriage, multi-people are needed.



② Handle with care, protective layer is required.

Exploded View



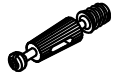





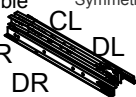











Panel List

Please check the Panel list before installation.

Item no.	Reference Image	Qty.	Item no.	Reference Image	Qty.
①		1X	⑫		6X
②		1X	⑬		6X
③		1X	⑭		4X
④		1X	⑮		4X
⑤		6X	⑯		4X
⑥		2X	⑰		2X
⑦		1X	⑱		2X
⑧		1X	⑲		2X
⑨		1X	⑳		1X
⑩		2X	㉑		1X
⑪		2X	㉒		4X

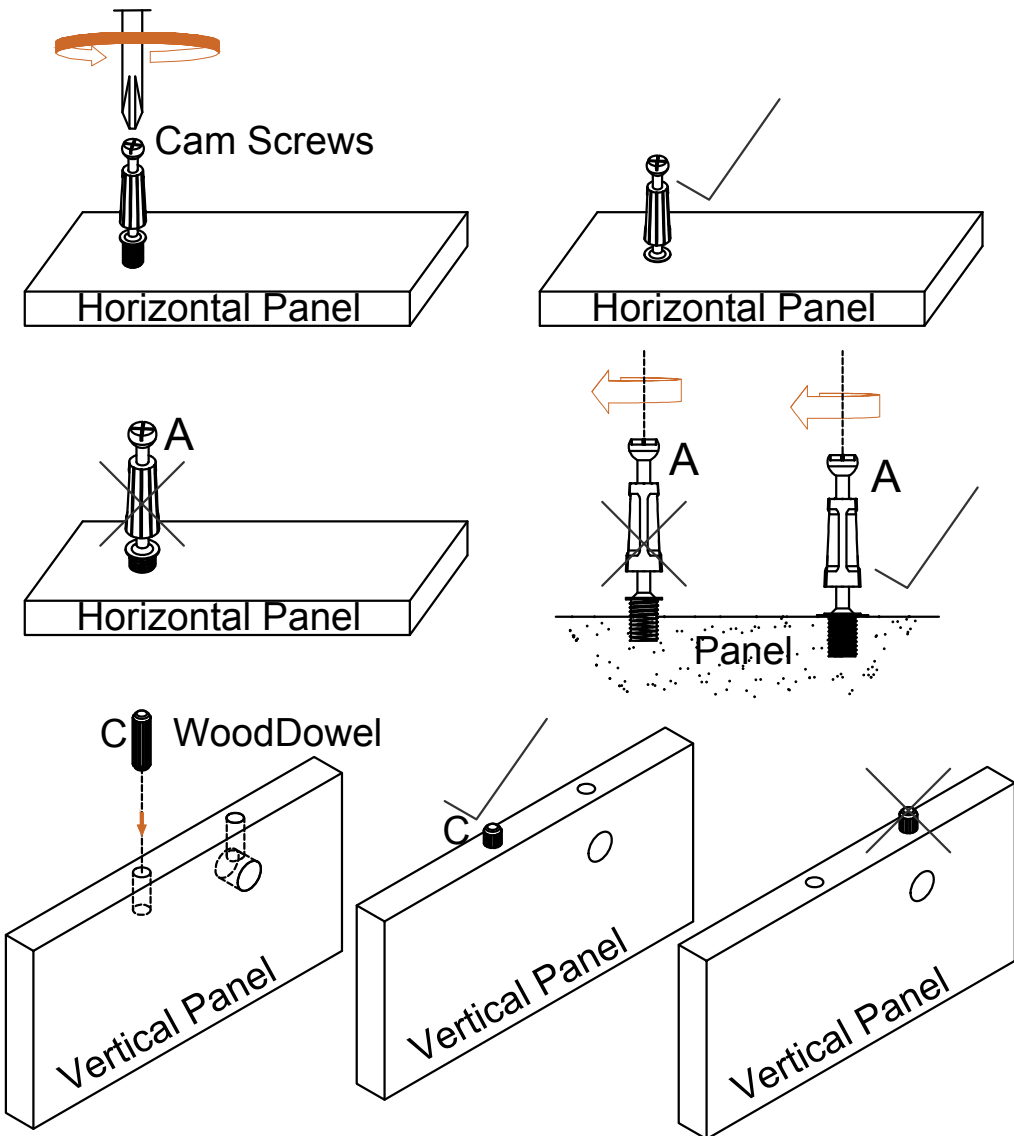
### Accessories List

Please check the Accessories list before installation.

Item no.	Reference Image	Qty.	Item no.	Reference Image	Qty.
A	 Cam Screws	58X	J	 Connecting iron	4X
B	 Cam Lock Nuts	30X	K	 WoodDowel	3X
C	 WoodDowel	24X	L	 WoodDowel	10X
D	 Bottom-Mount Drawer Slide Kit	6X	M	 Connecting iron	1X
E	 Self-tapping screws	74X	N	 Insert Row	1X
F	 Cam Lock Nuts	28X	O	 Light belt	1X
G	 Self-tapping screws	38X	P	 Clip Strip	2X
H	 Back plate buckle	18X	Q	 Screwdriver	1X
I	 Anti-inverted parts	2X	R	 Wooden leg	5X

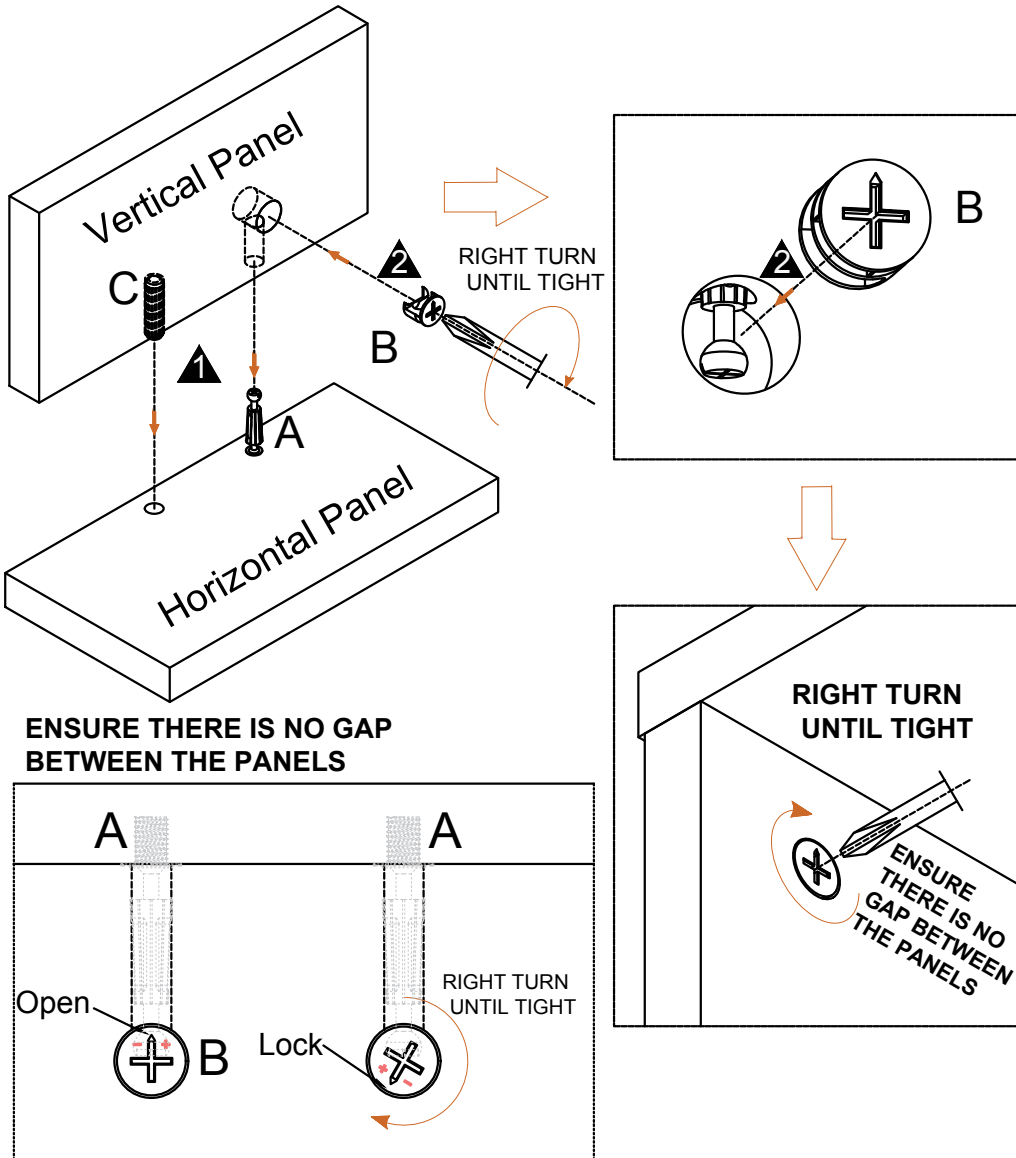
### IMPORTANT PRECAUTIONS

Use Cam Screws, Cam Lock Nuts,



### IMPORTANT PRECAUTIONS

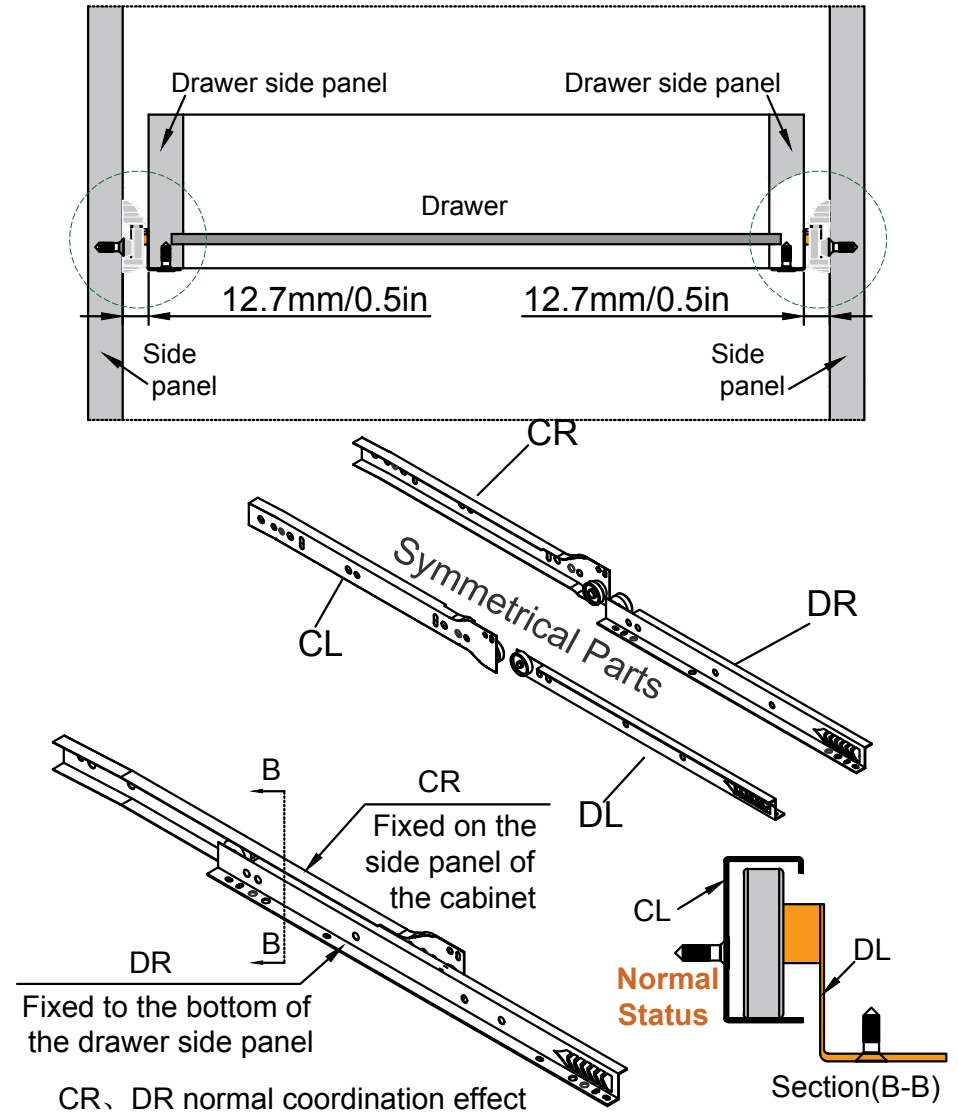
Use Cam Screws, Cam Lock Nuts, Dowel Kit(b)



### IMPORTANT PRECAUTIONS

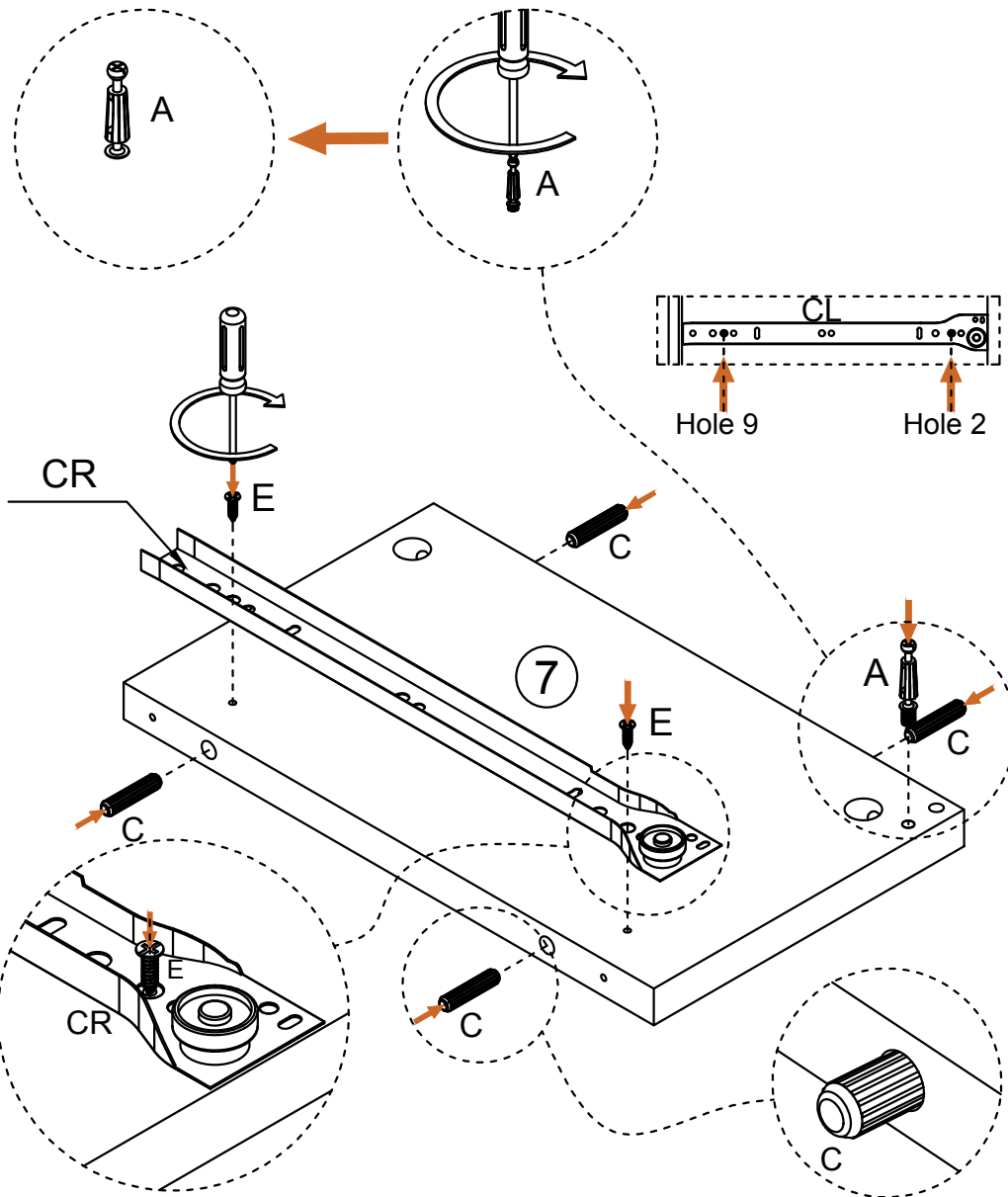
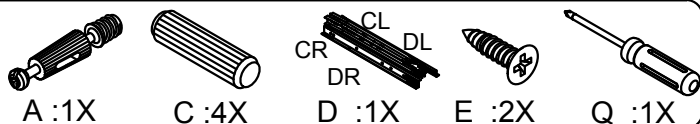
Use Accessory "D"

#### Bottom-Mount Drawer Slide Kit



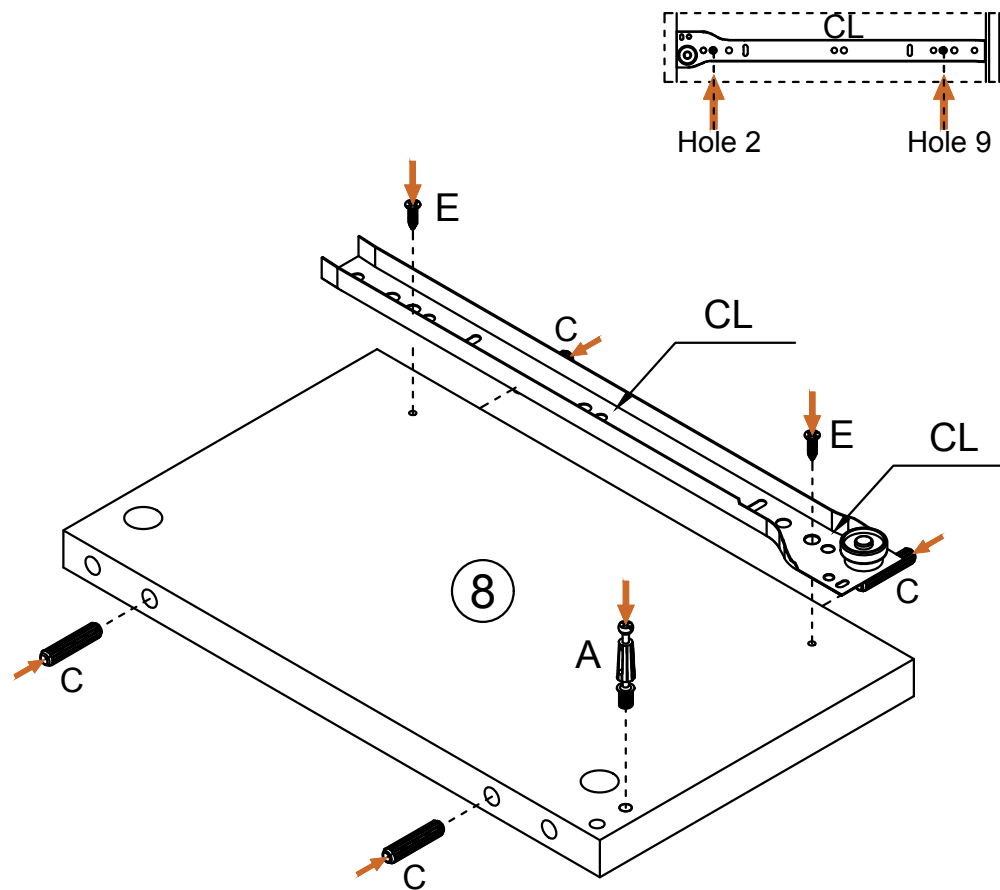
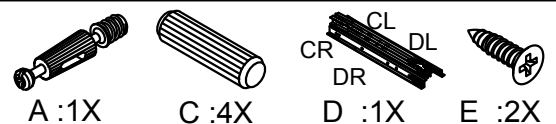
# Assembly Manual

# 1

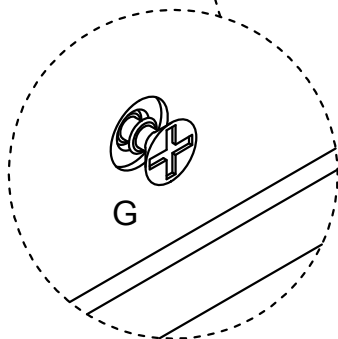
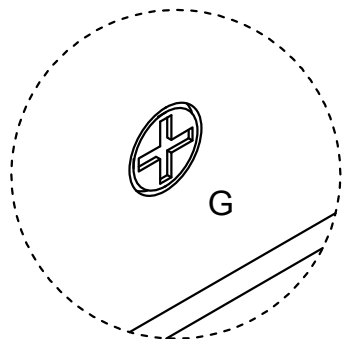
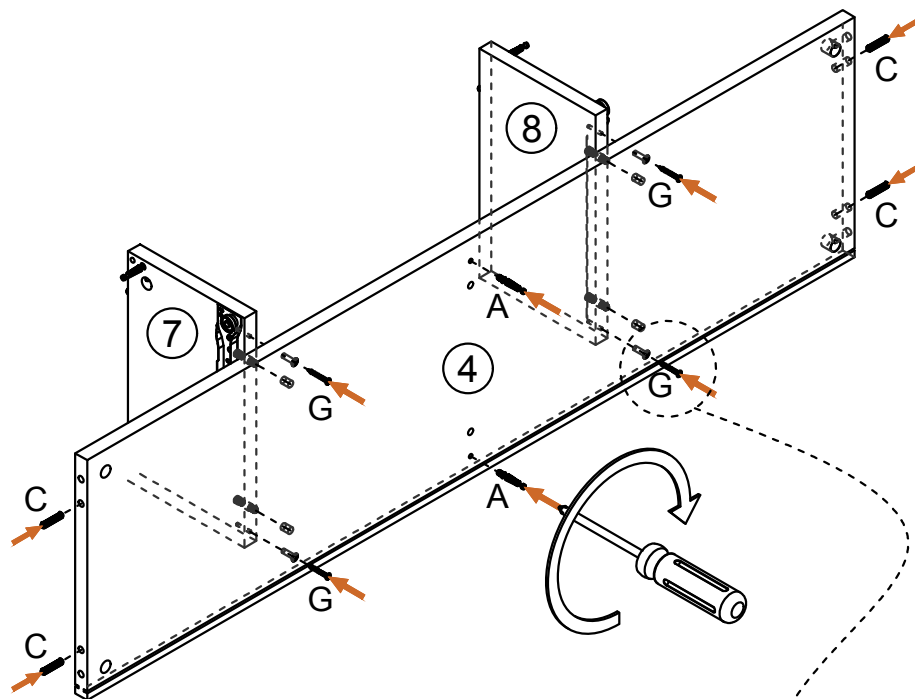
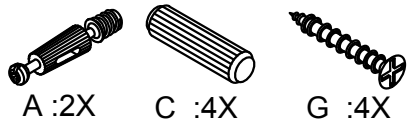


# Assembly Manual

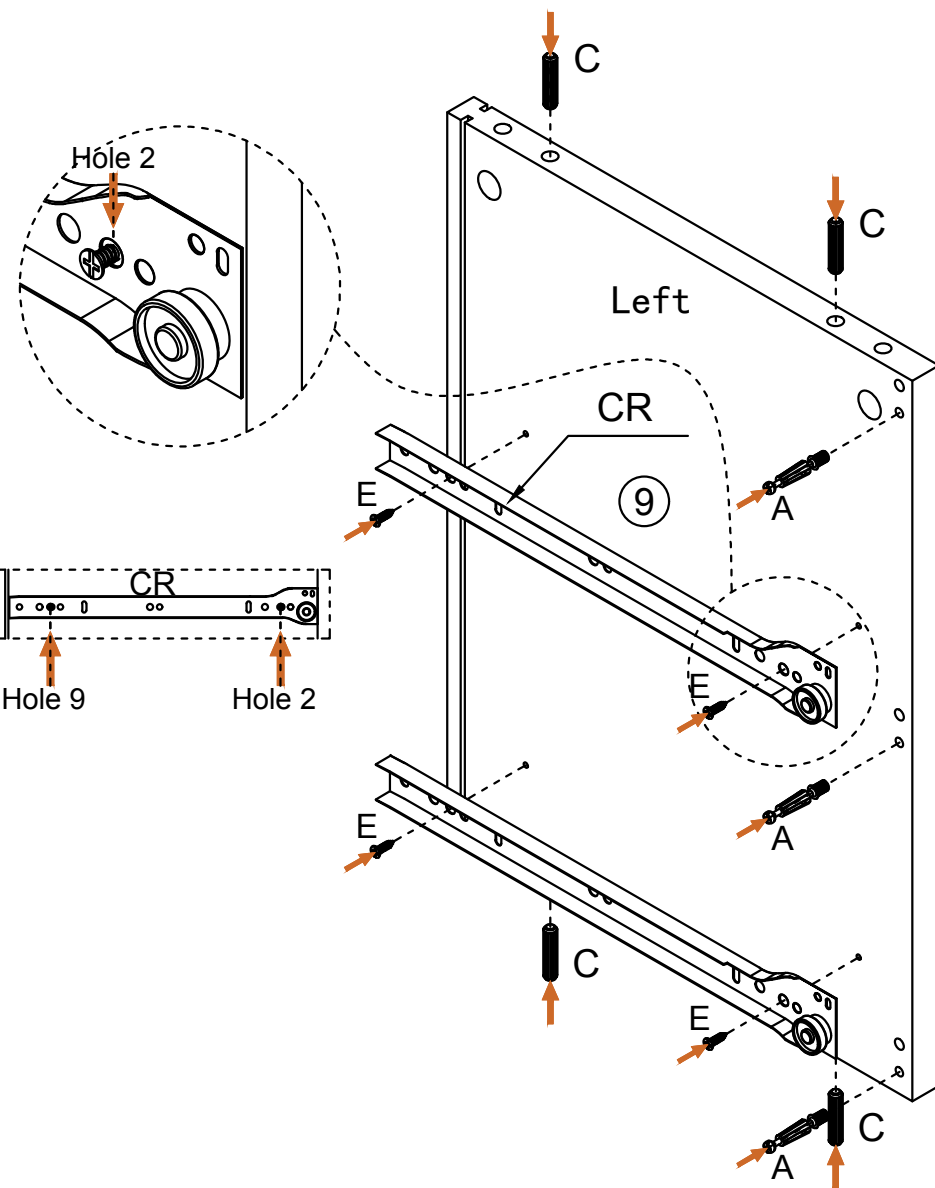
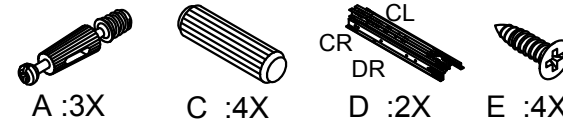
# 2



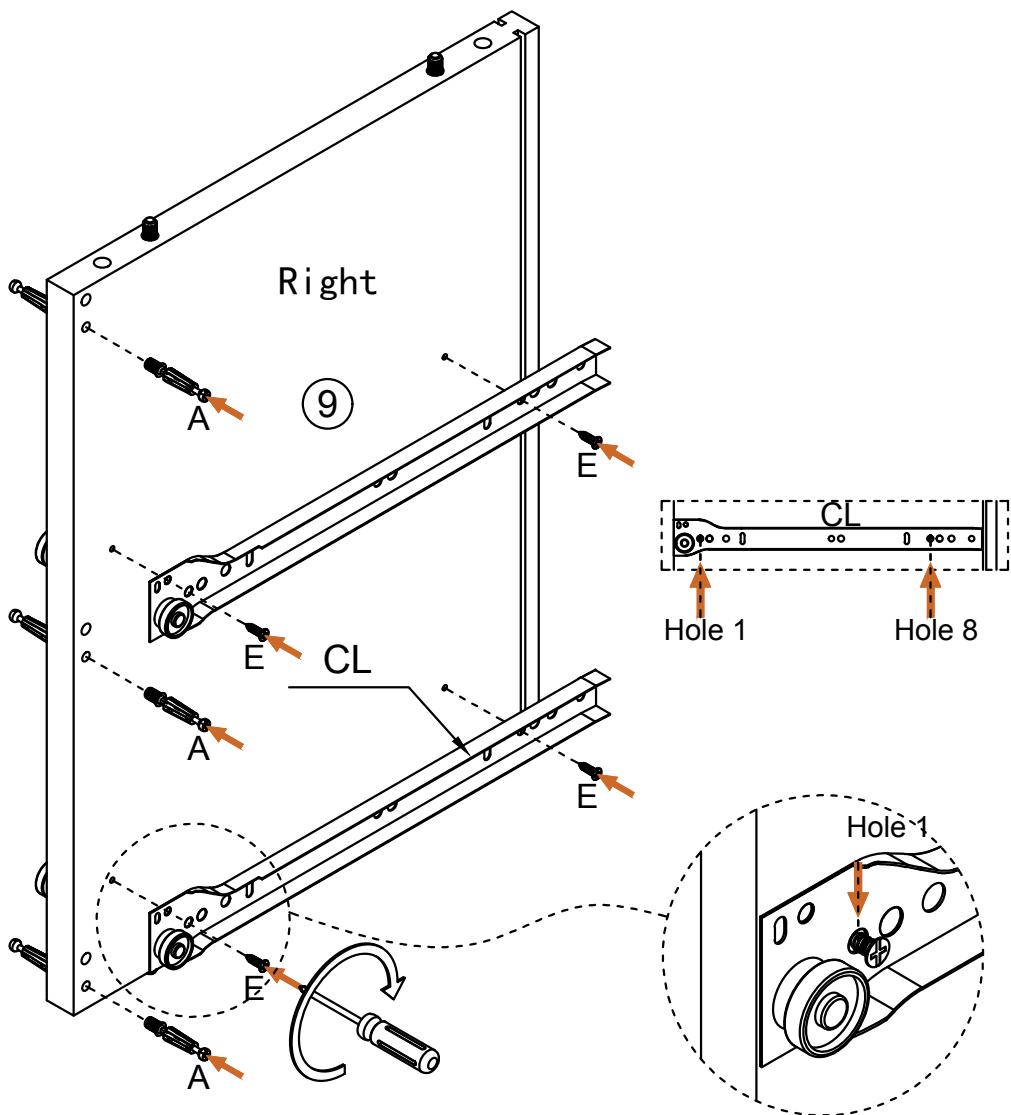
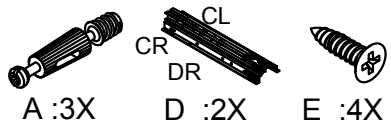
3



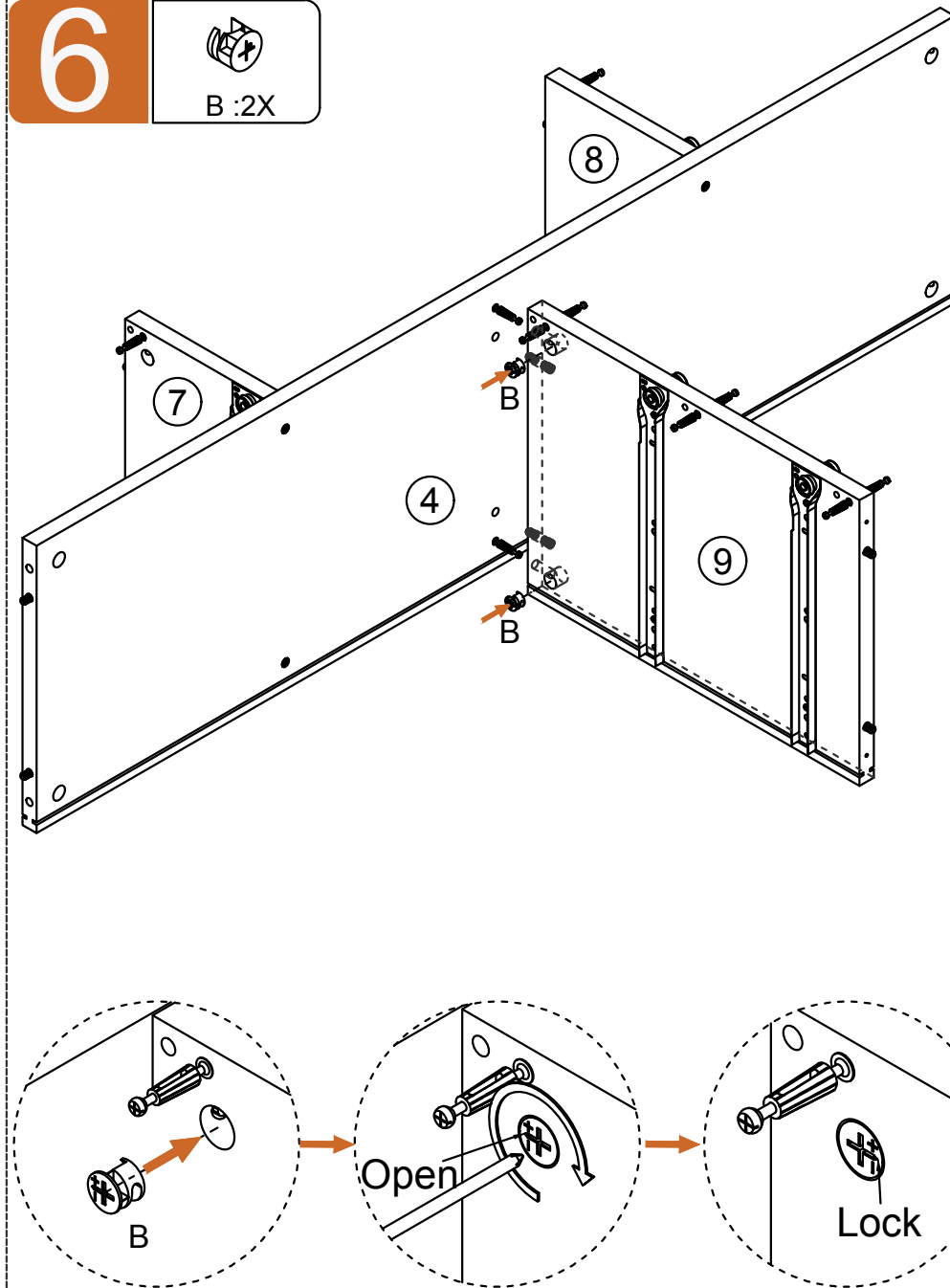
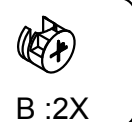
4



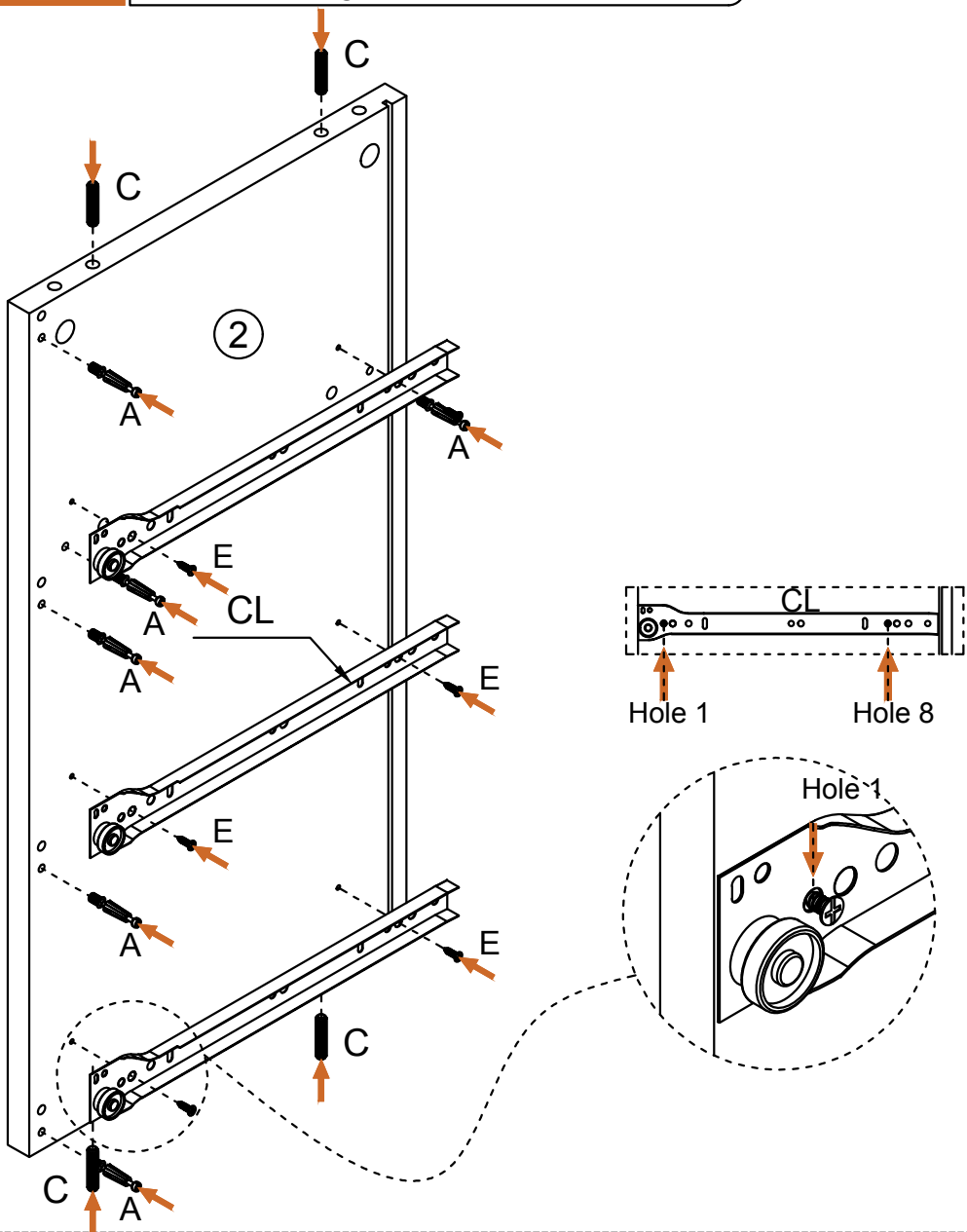
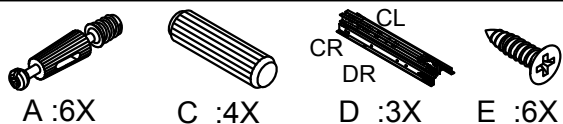
5



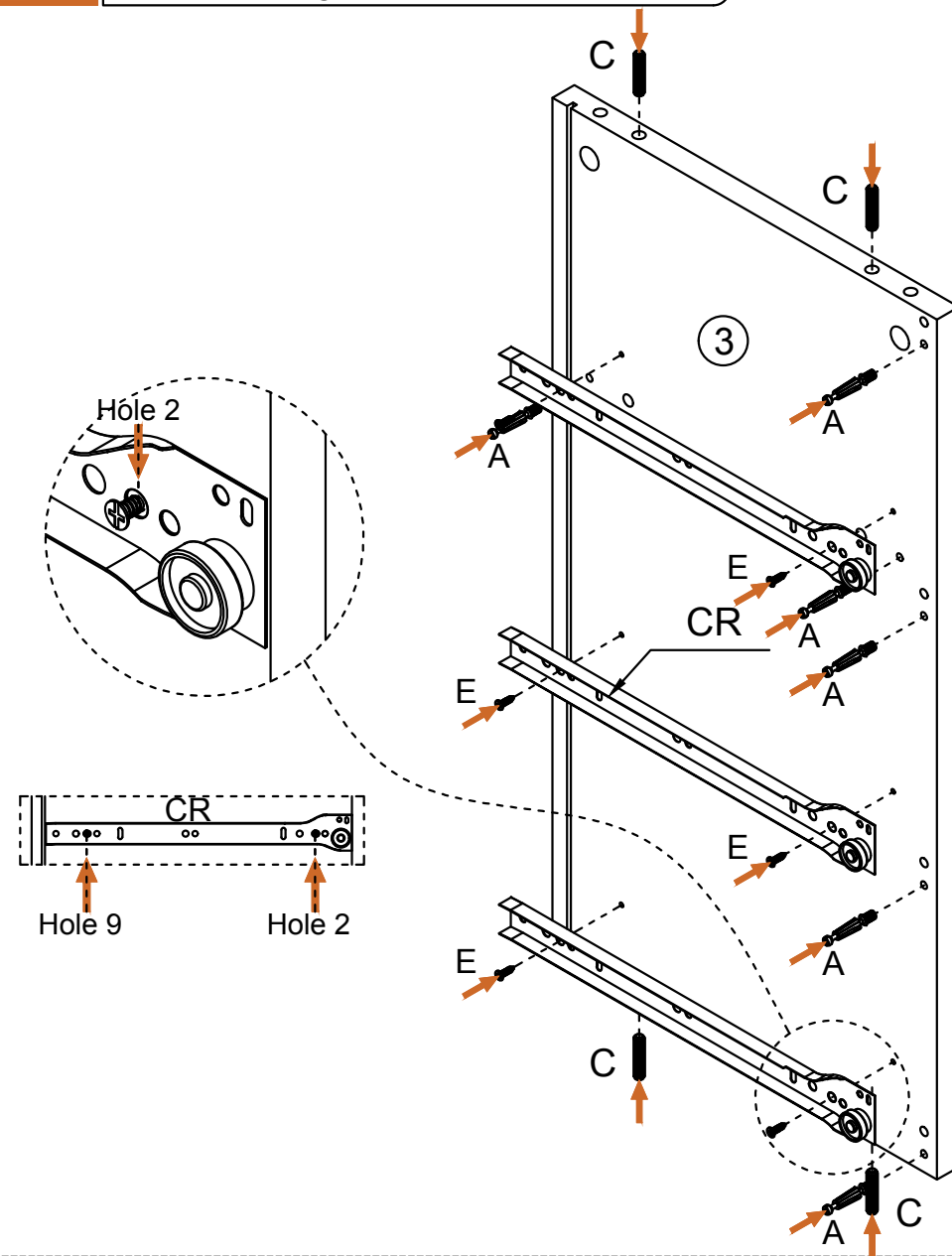
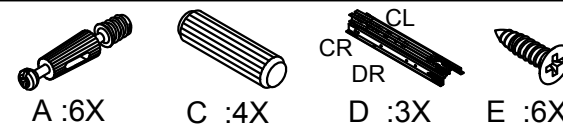
6



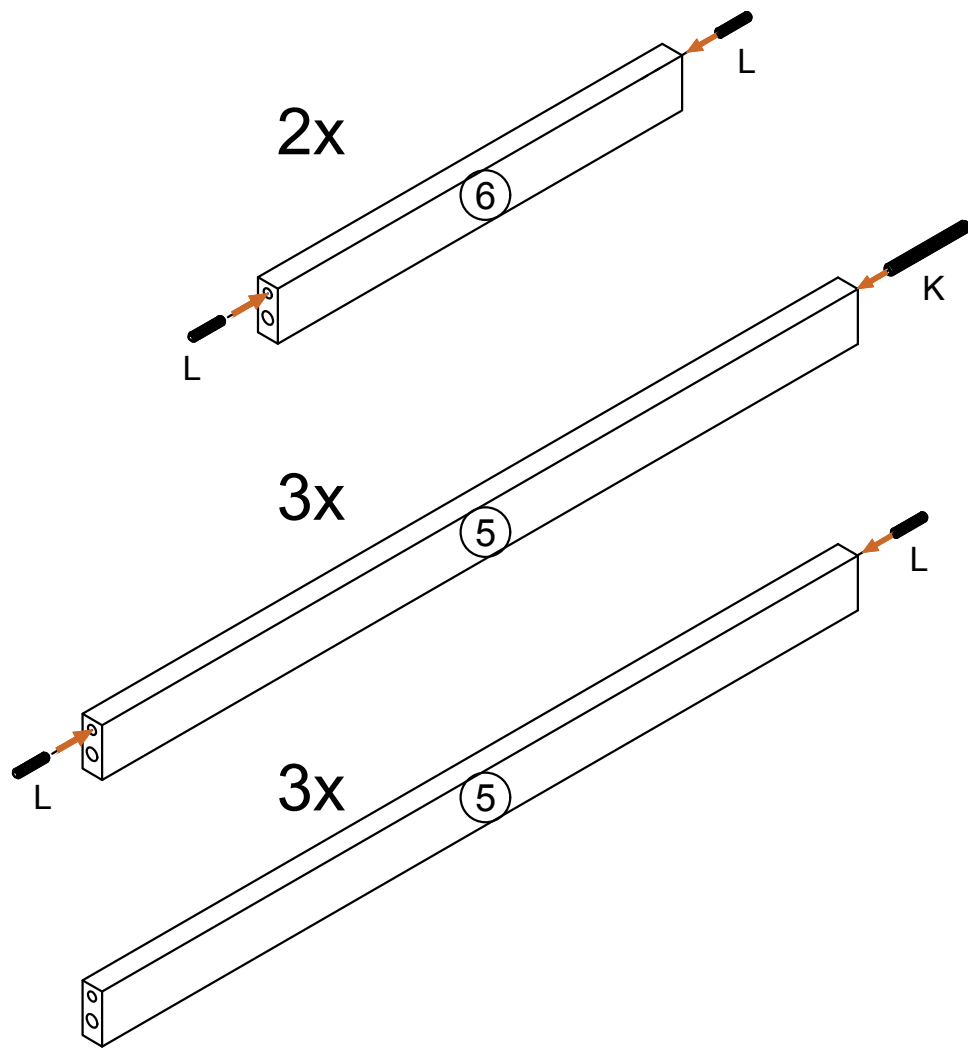
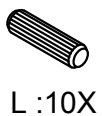
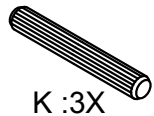
7



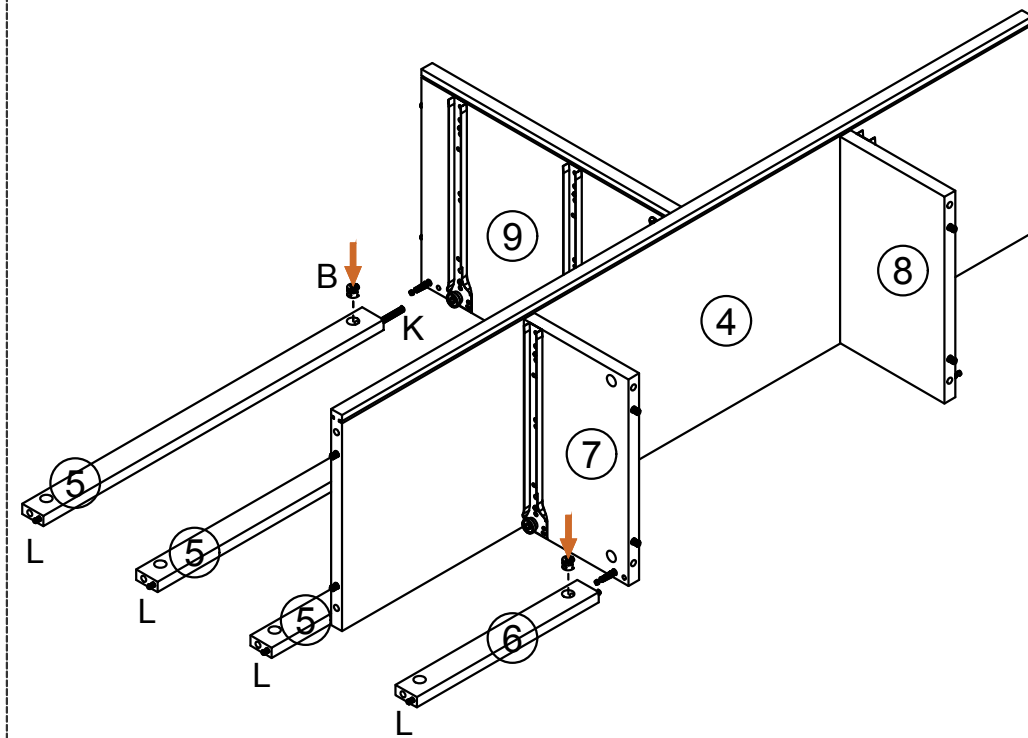
8



9



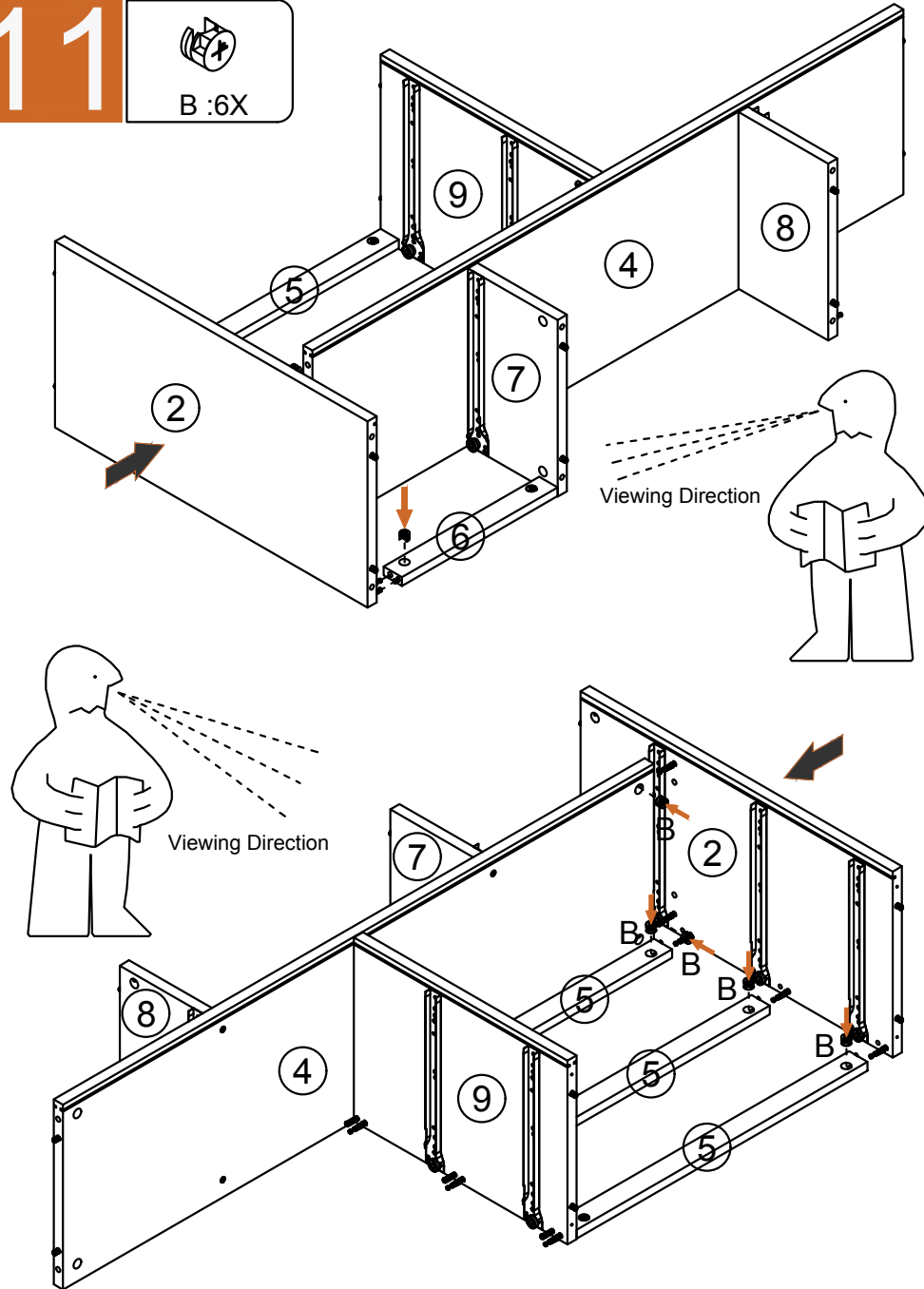
10



11



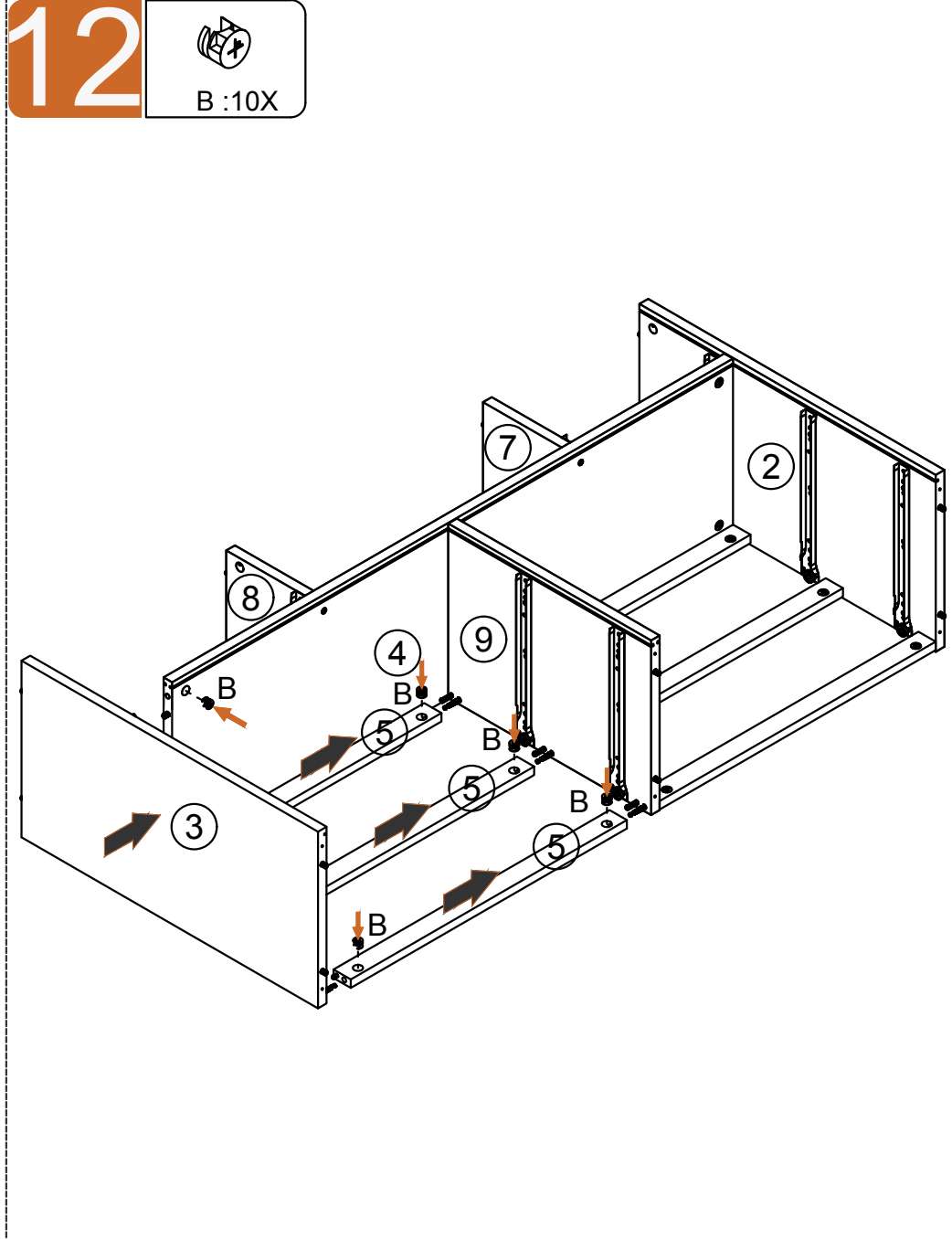
B : 6X



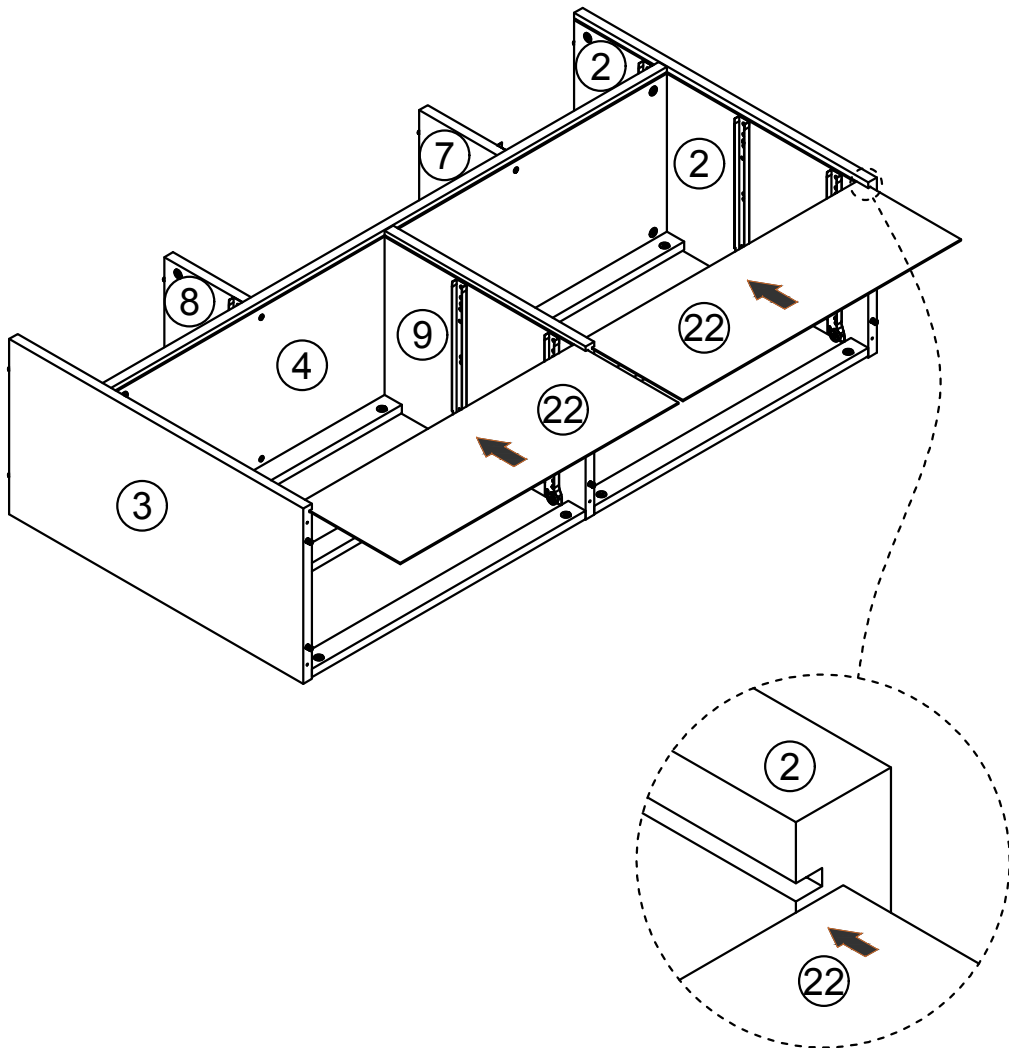
12



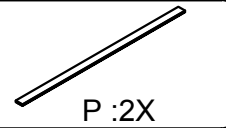
B : 10X



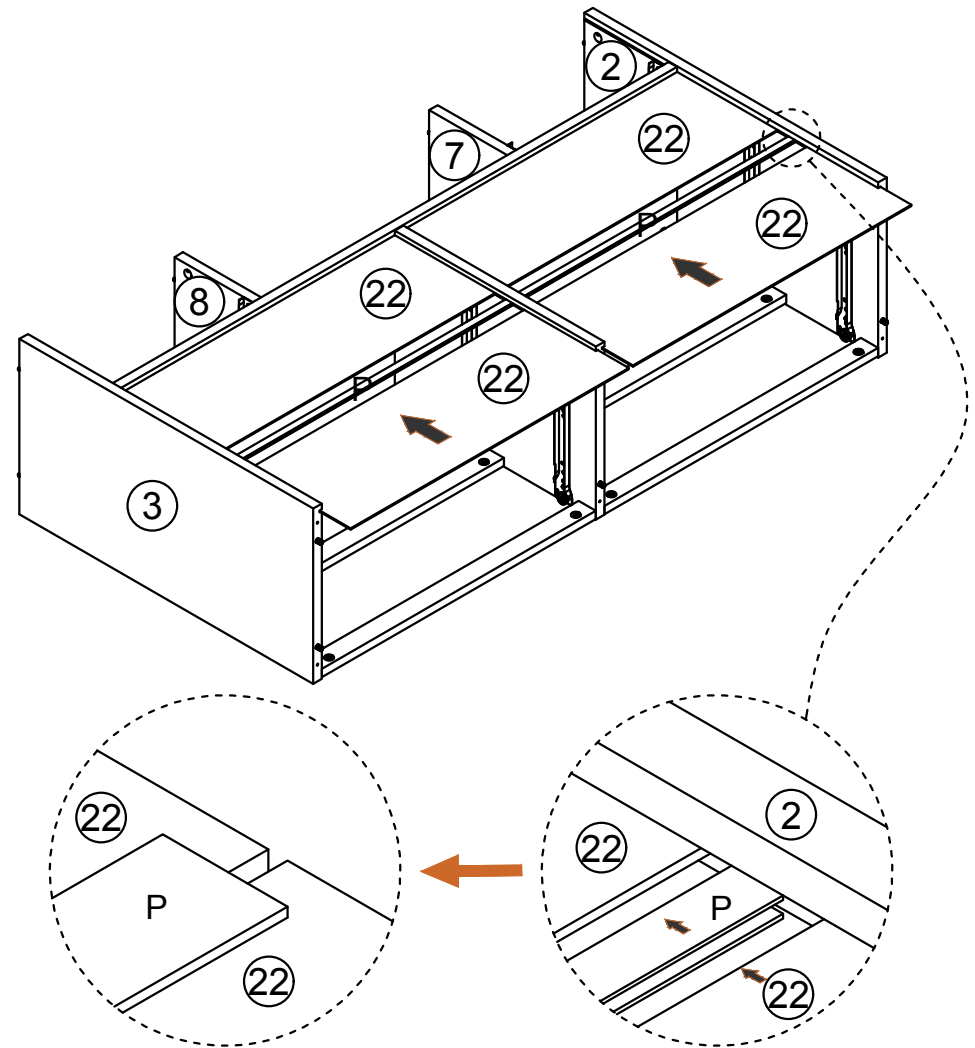
13



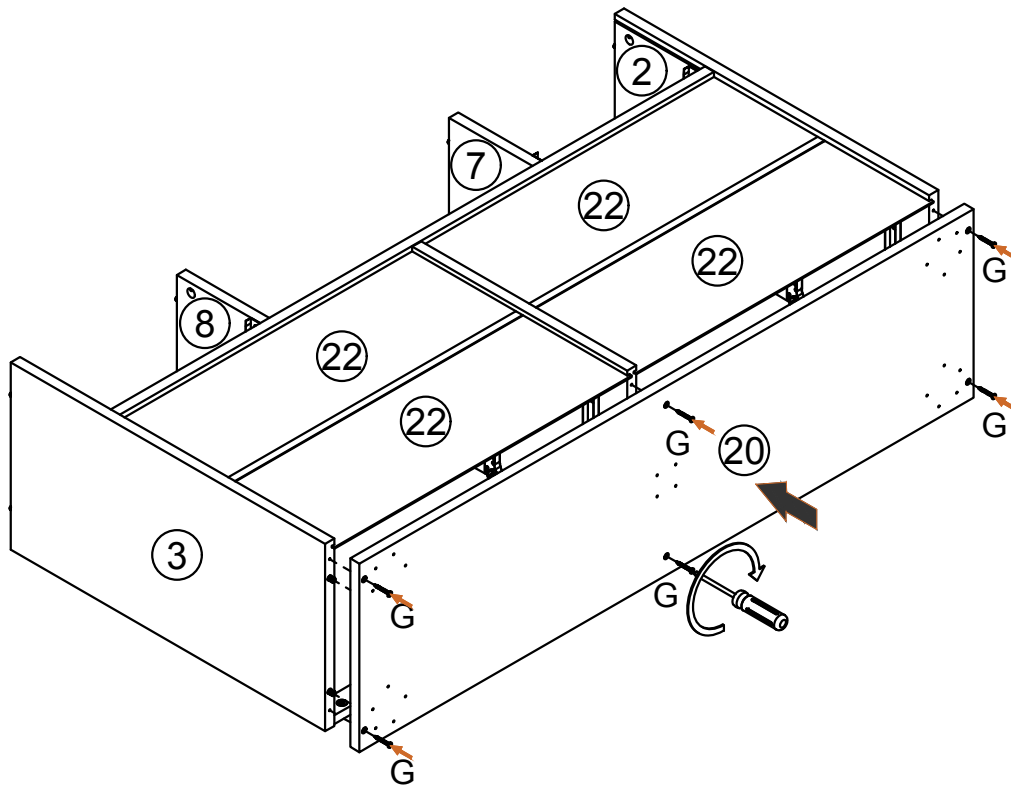
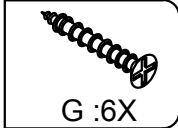
14



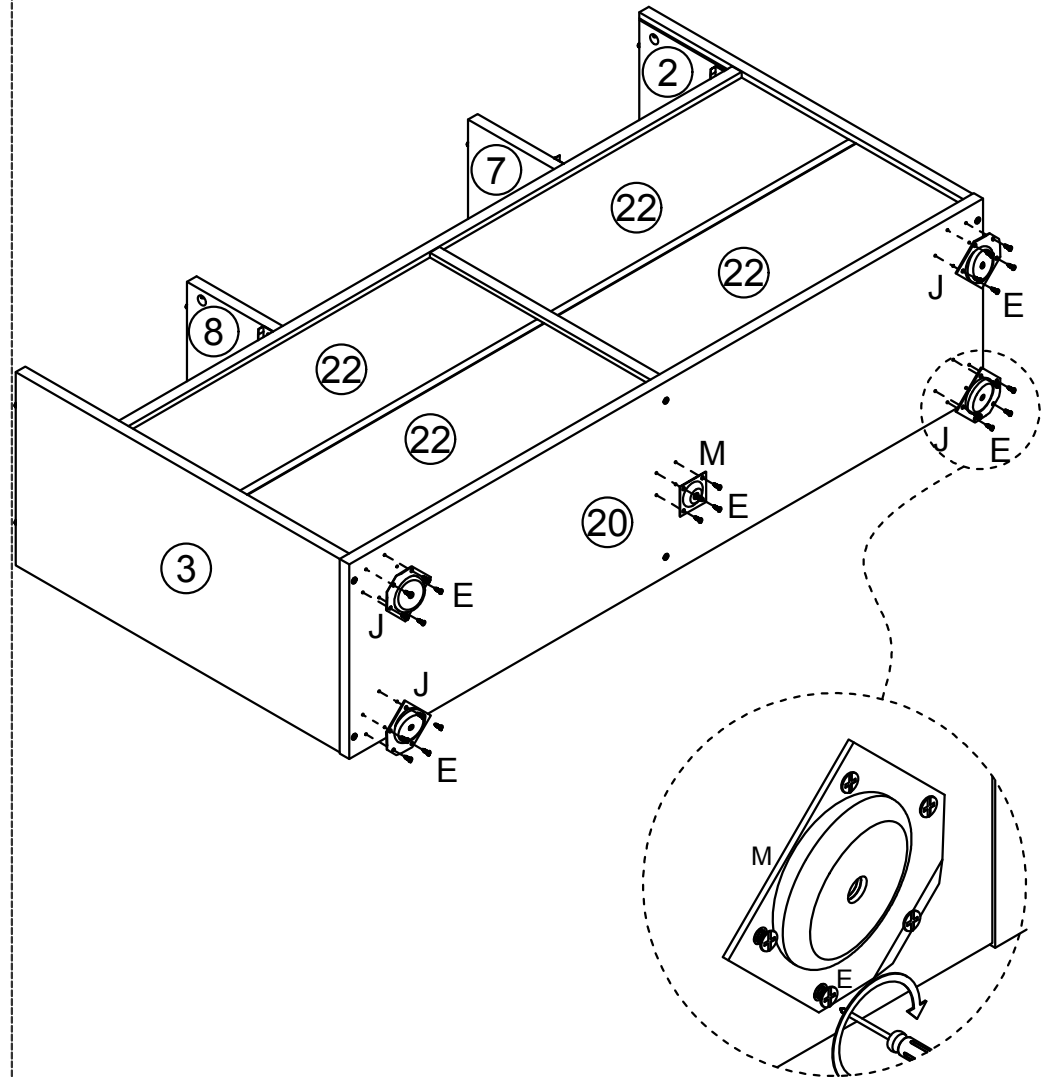
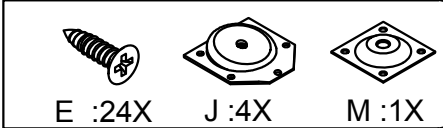
P :2X



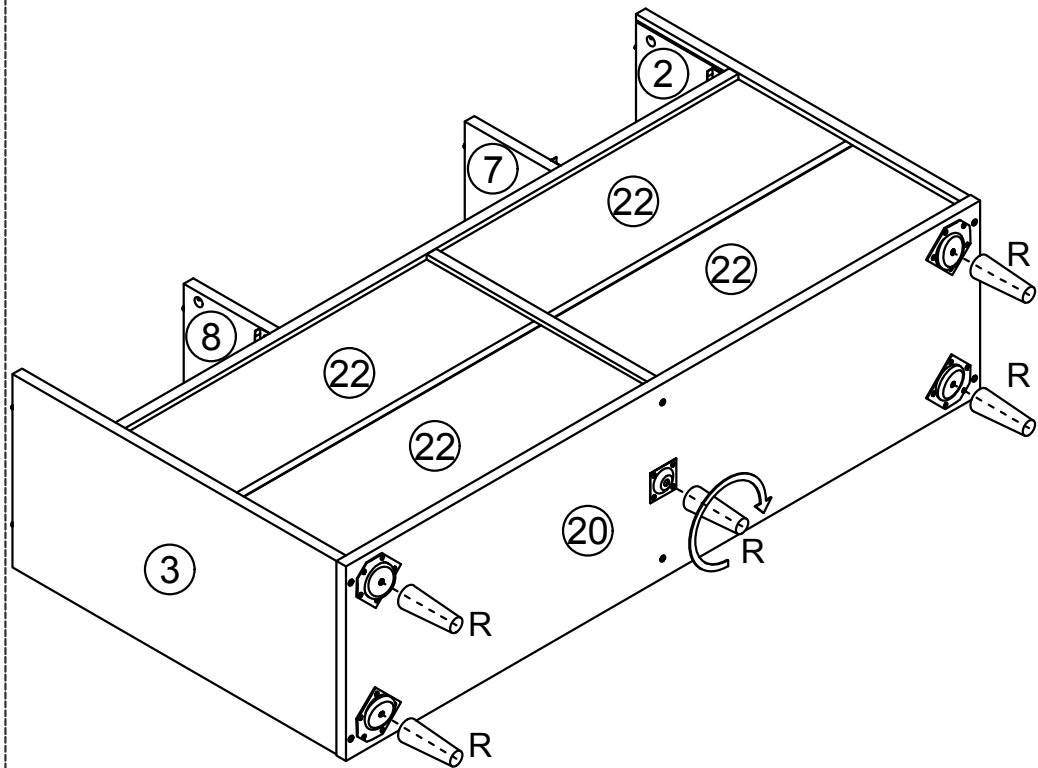
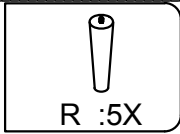
15



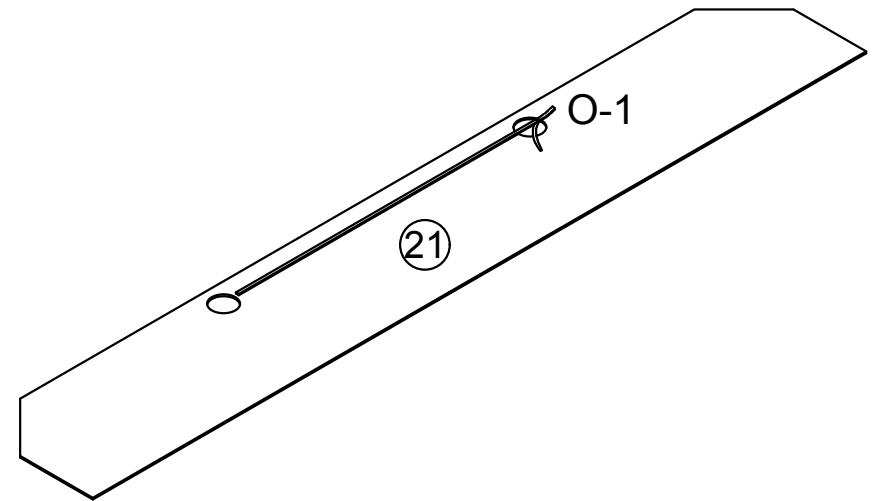
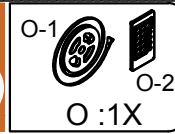
16



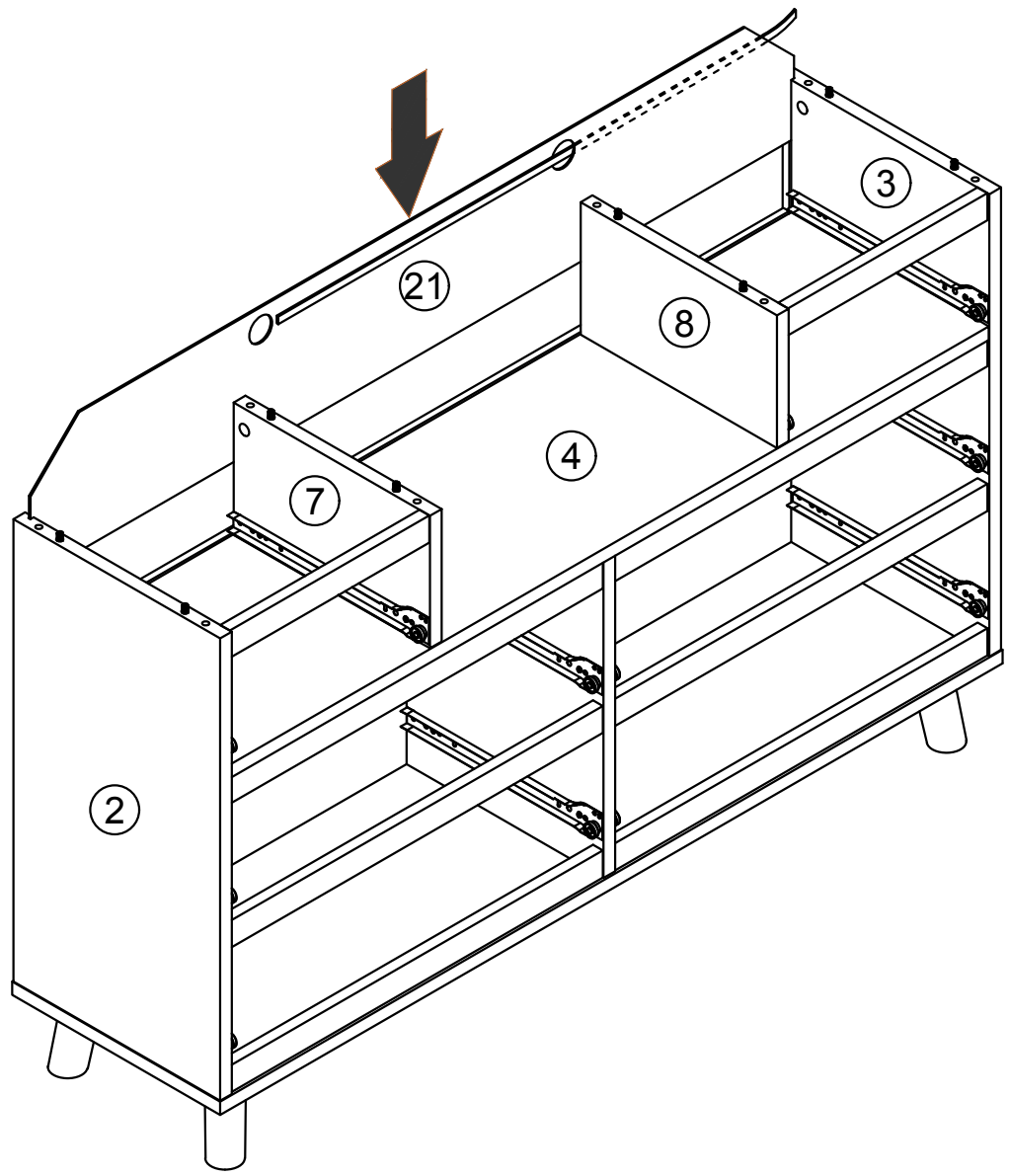
17



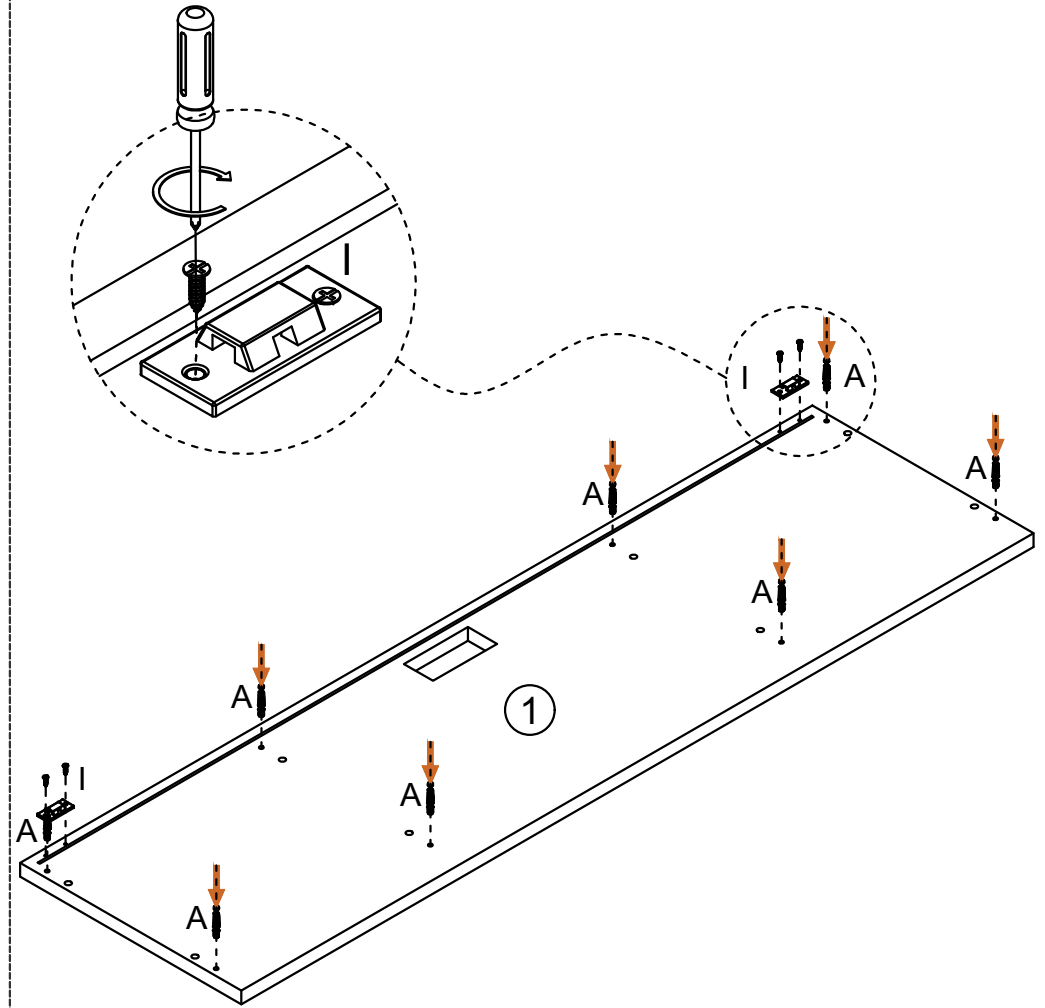
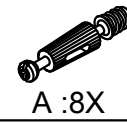
18



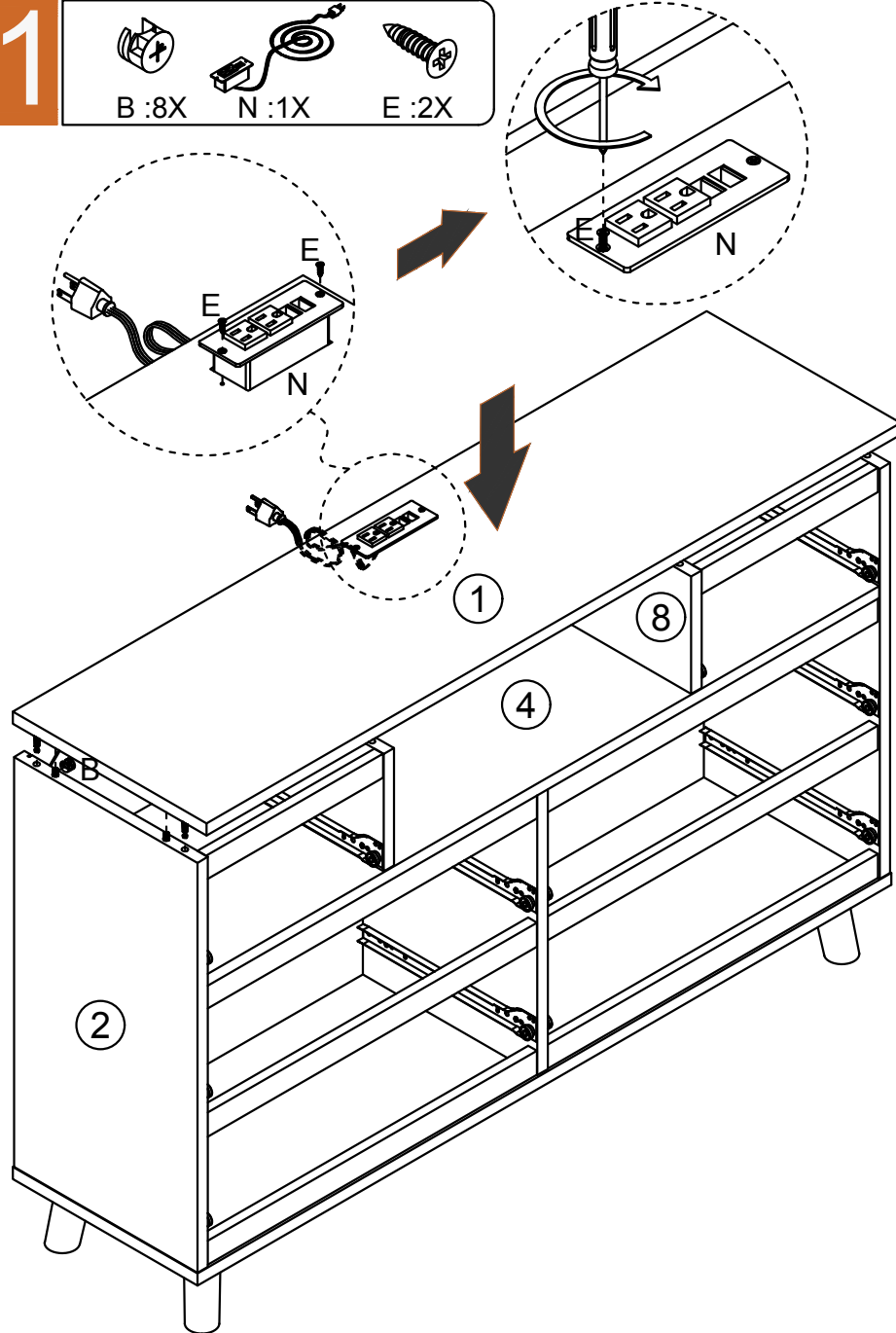
19



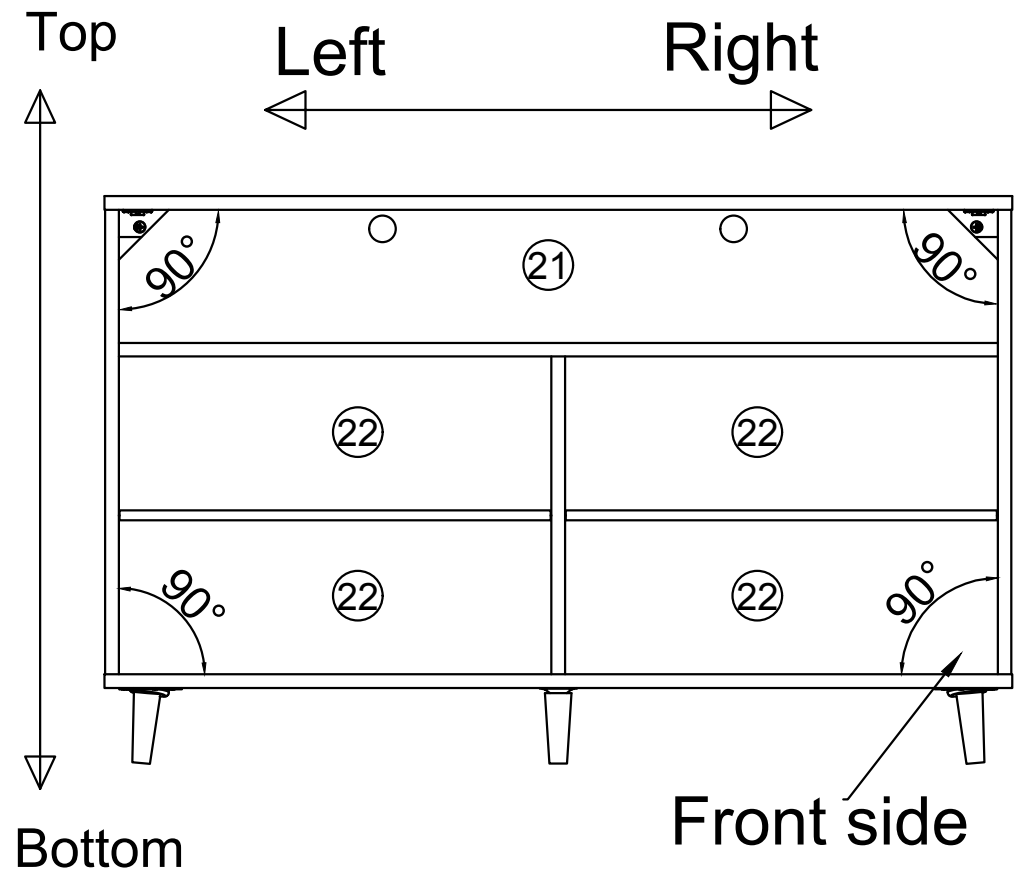
20



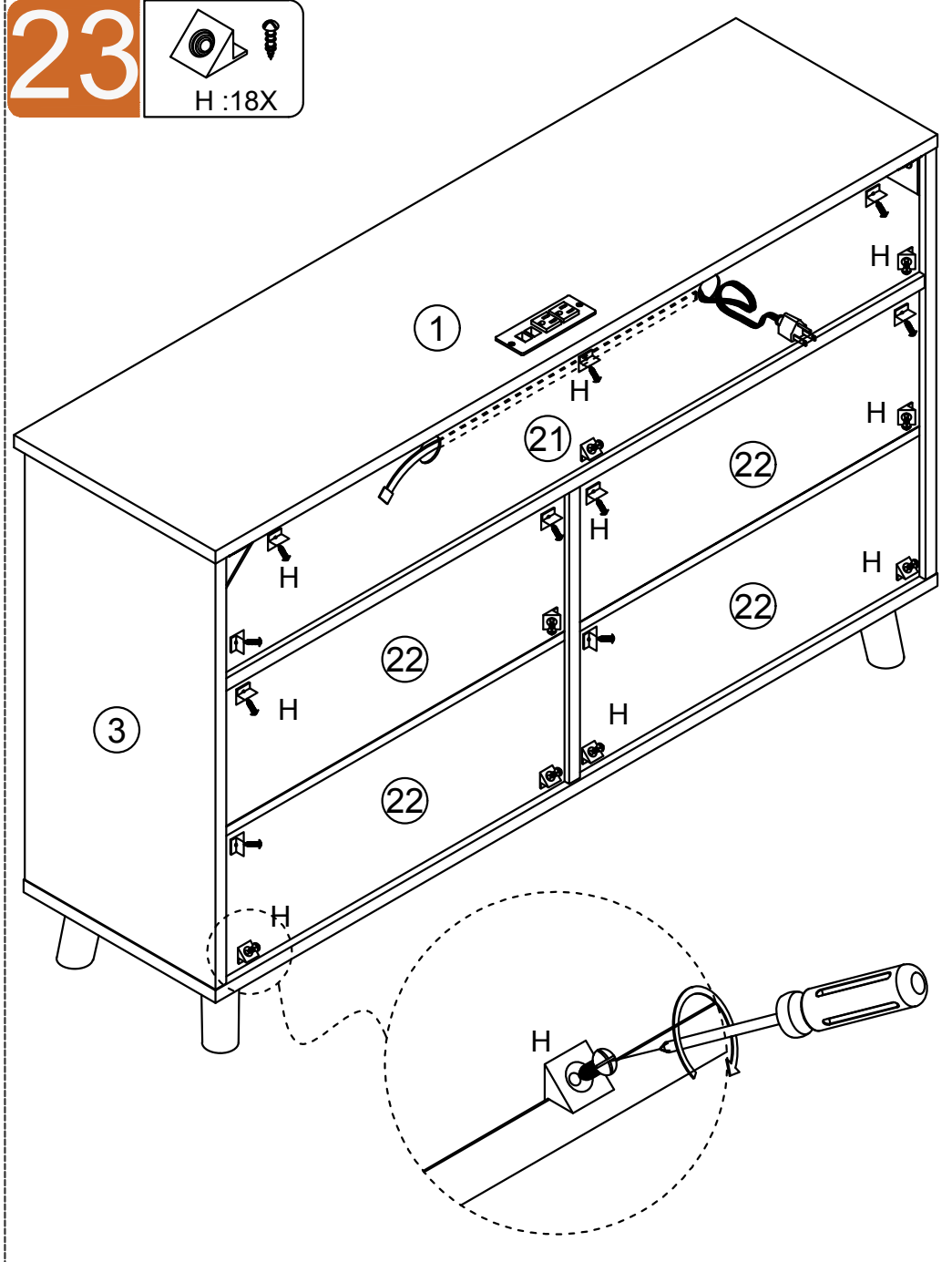
21



22

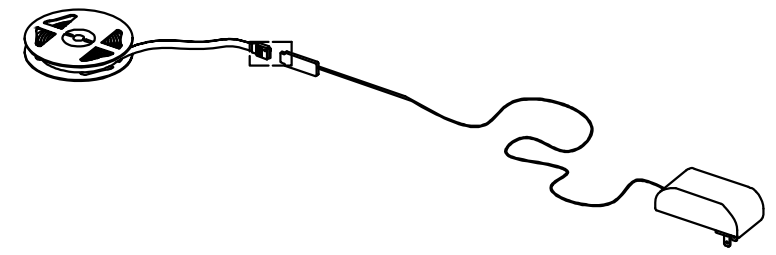


23

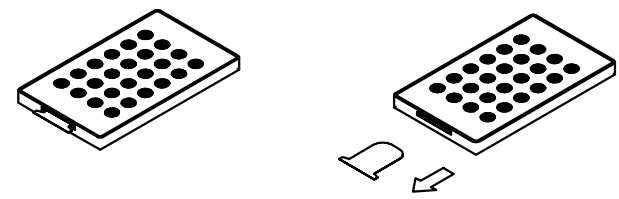


24

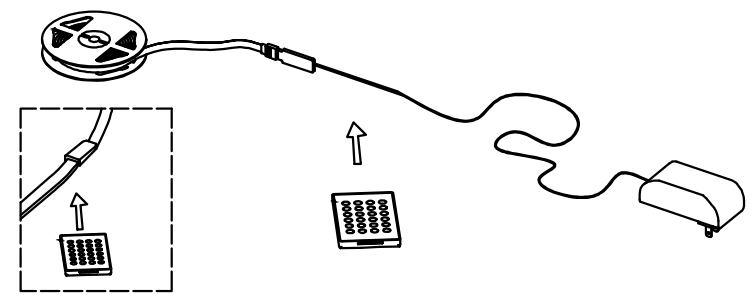
-LED lamp with effective remote control distance of 2 meters



1. Connecting the power supply

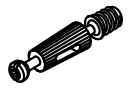


2. Take out the remote control gasket

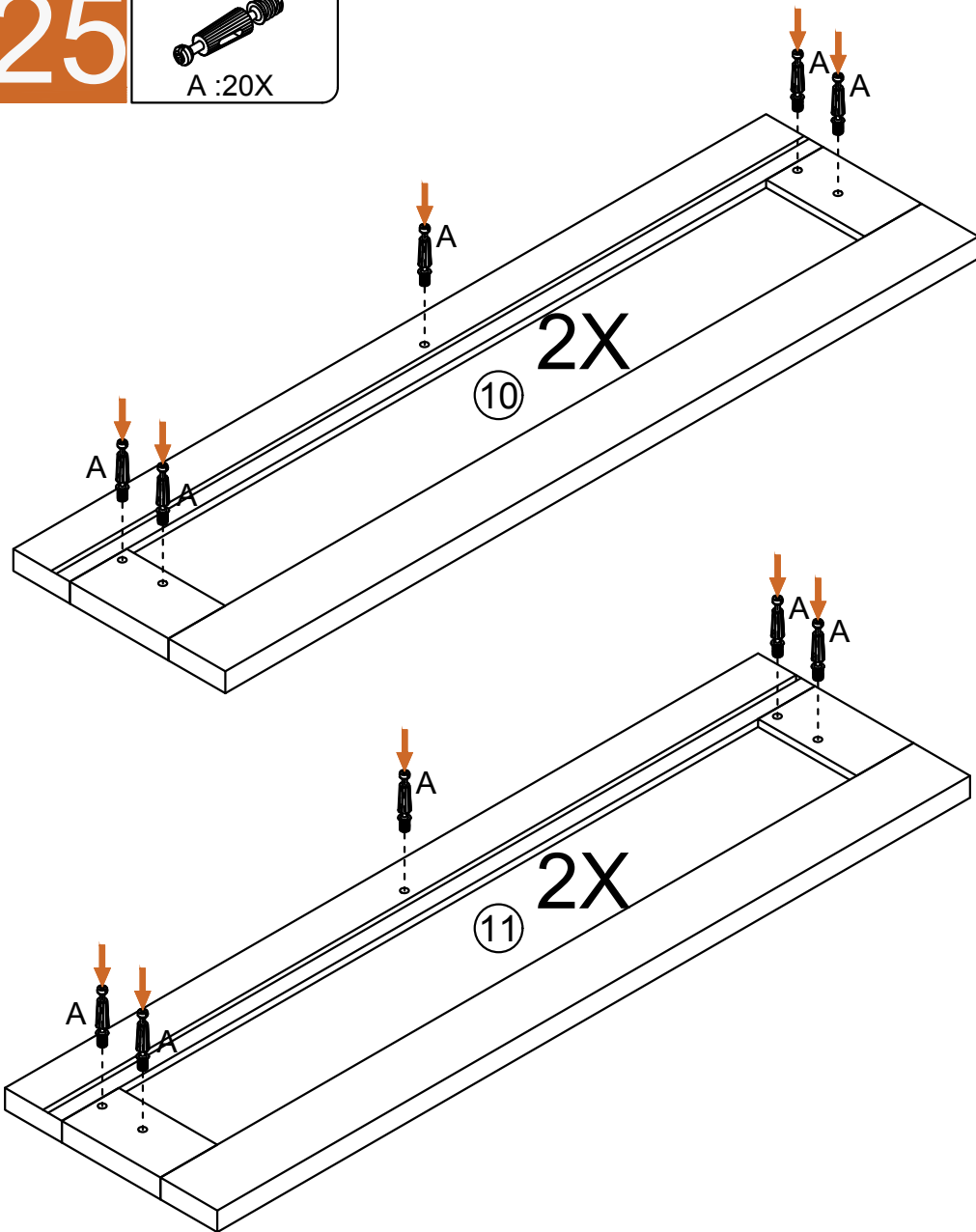


3. Align the receiver to adjust the light color

25



A :20X

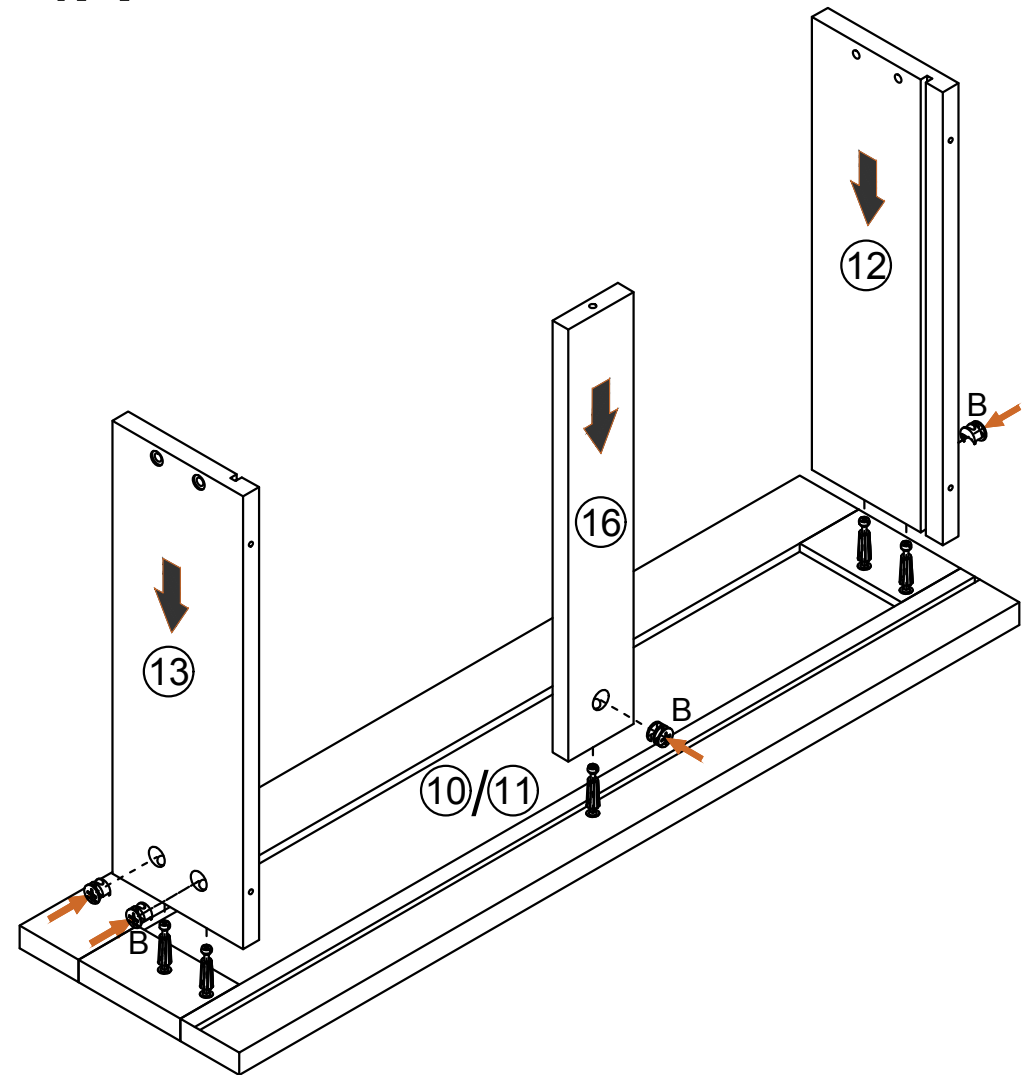


26



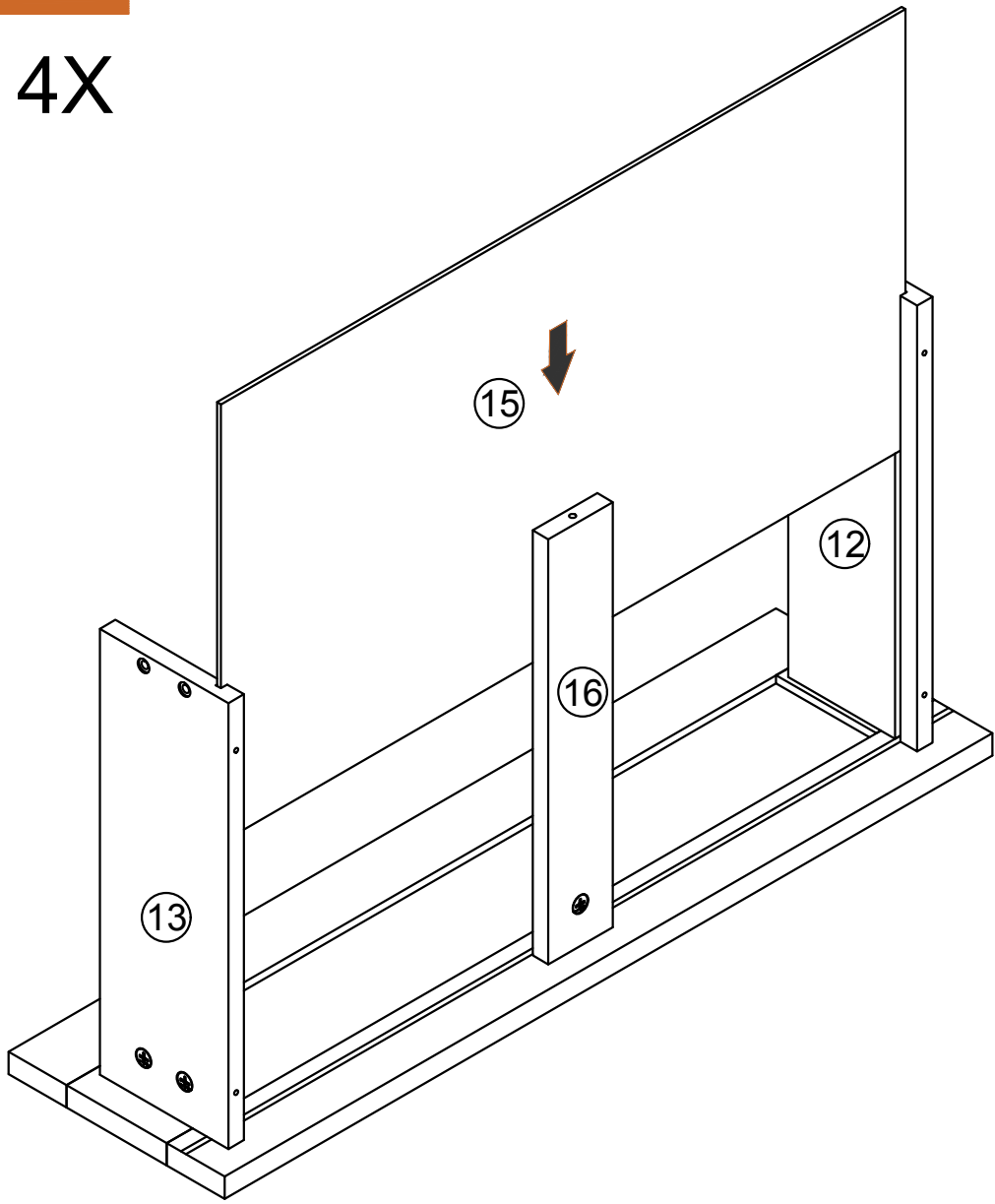
F :20X

4X



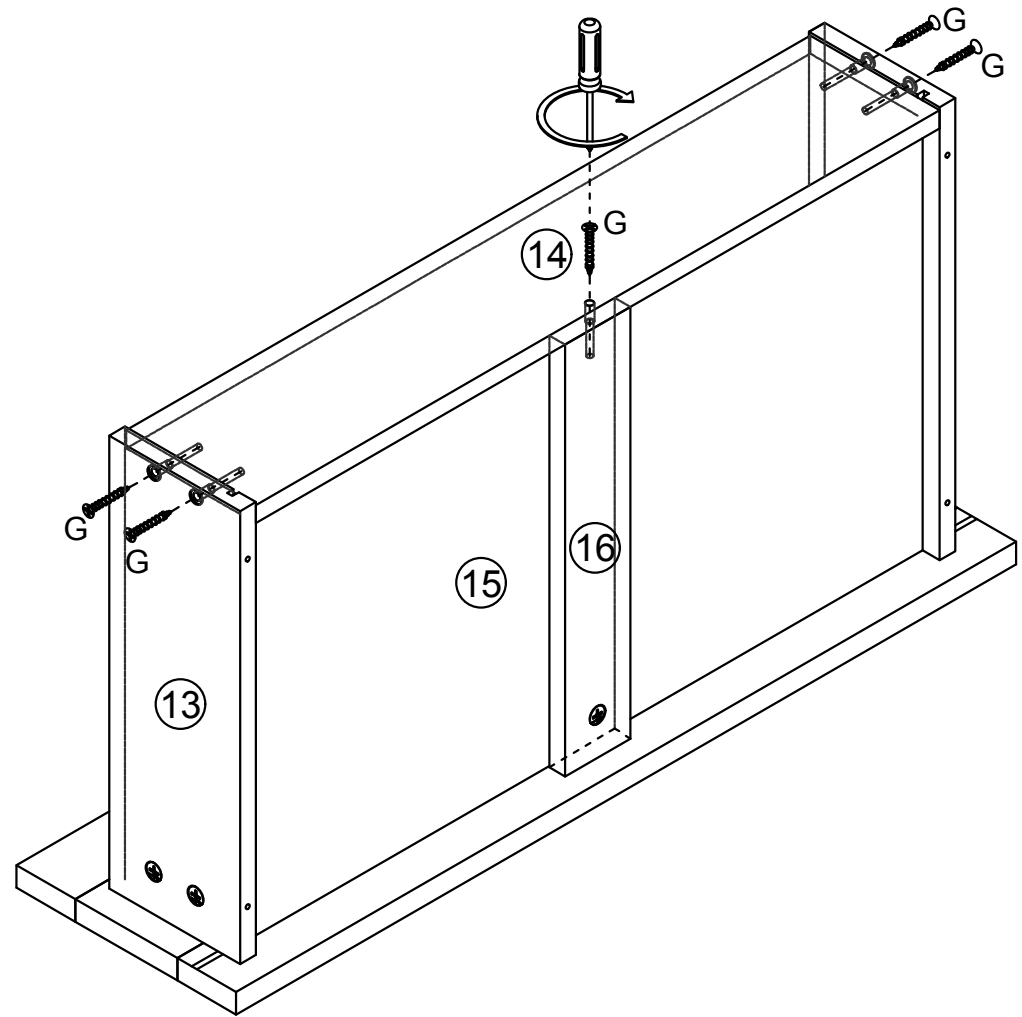
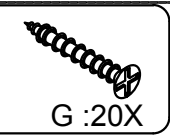
27

4X

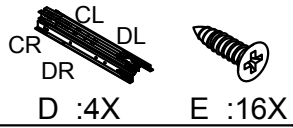


28

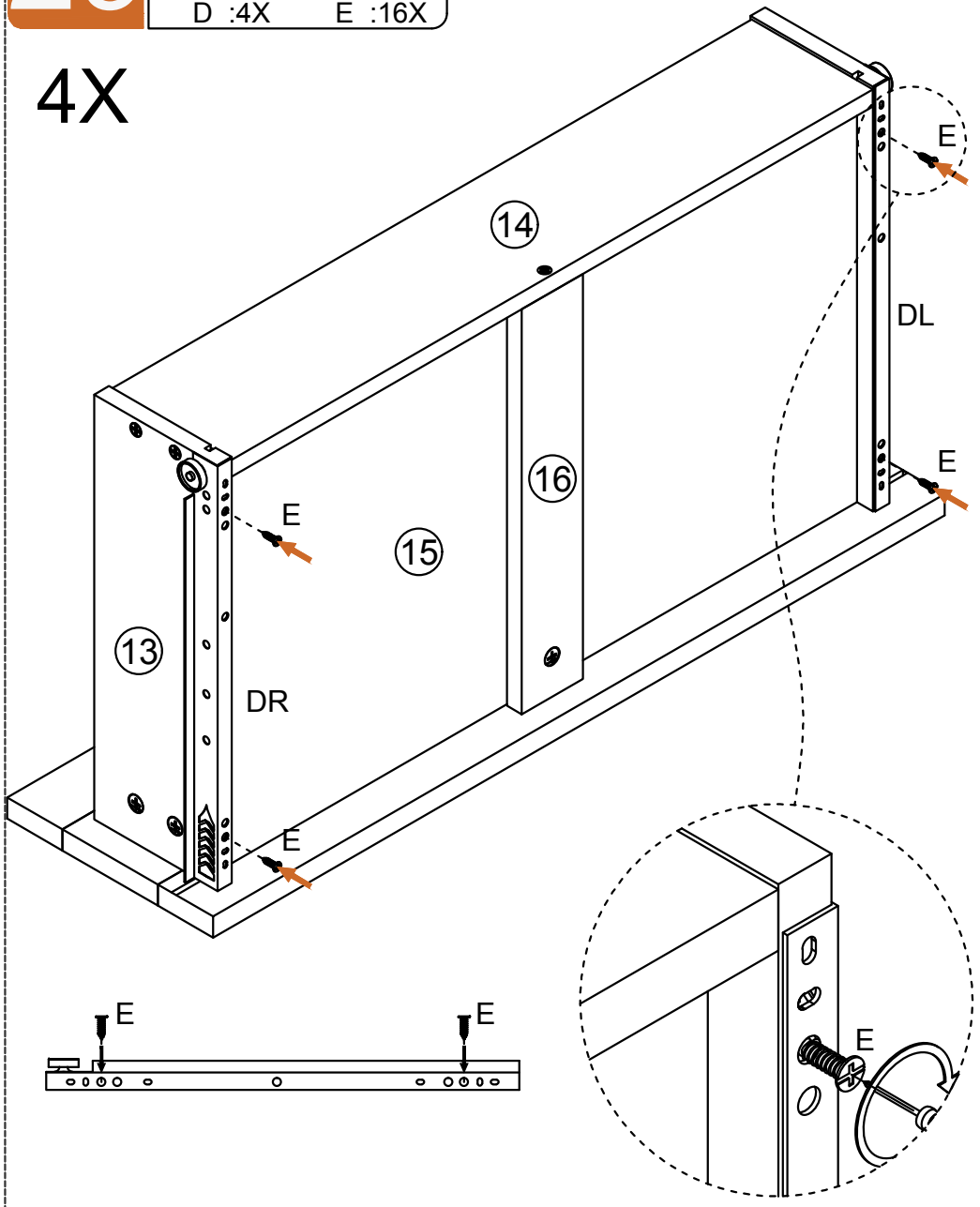
4X



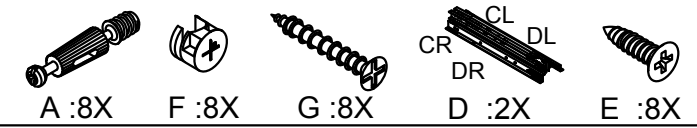
29



4X

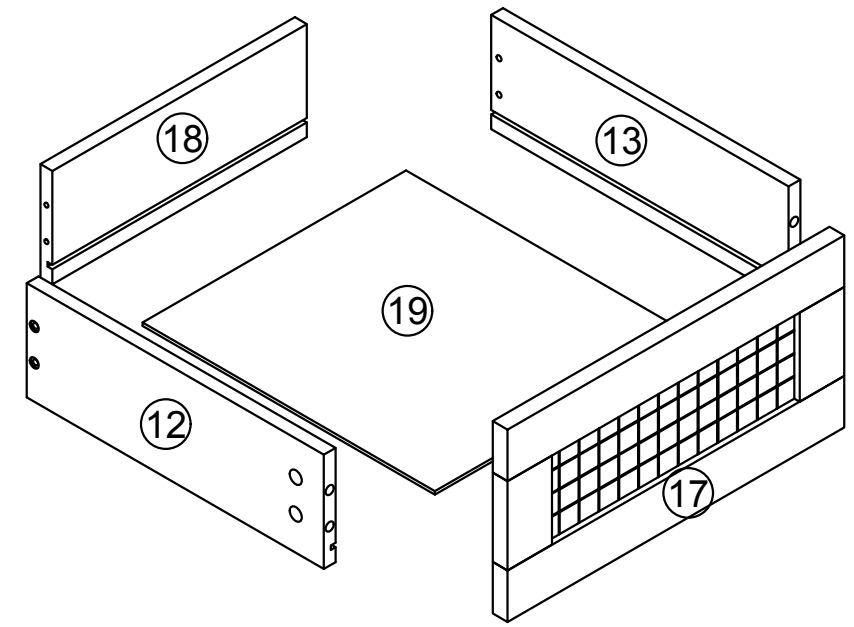


30

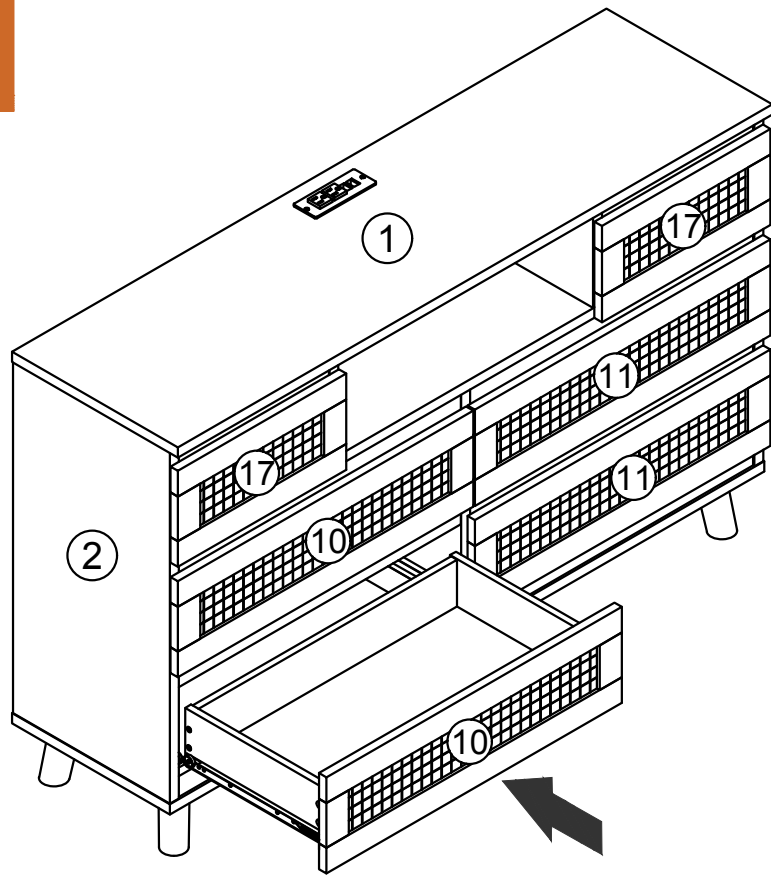


2X

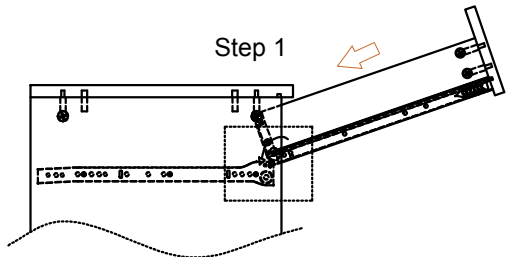
Same installation method as large drawers



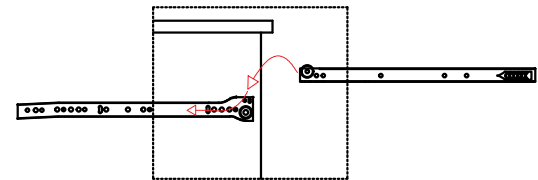
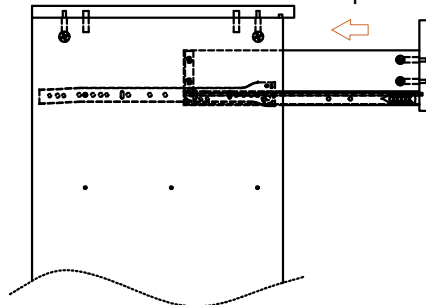
31



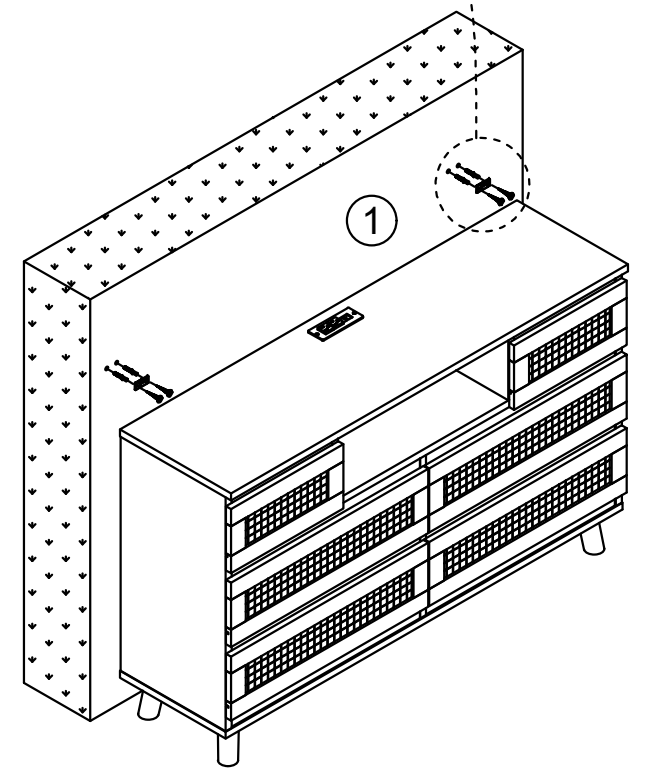
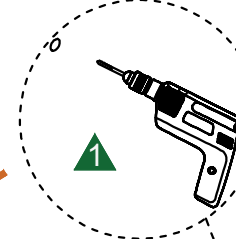
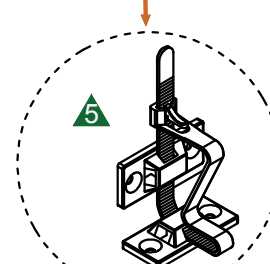
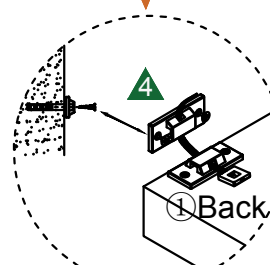
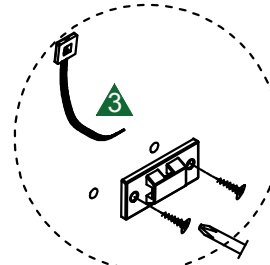
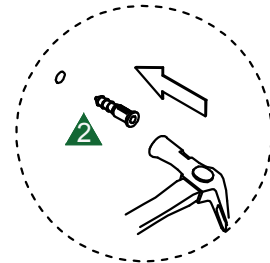
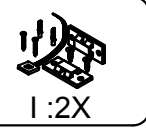
Step 1



Step 2



32



Thank you for purchasing our products. Please contact us if you have difficulty with assembly or need replacement parts. Our customer service is here to assist you. Please attach your User Name and Order ID so that we can assist you better.  
[support@jojoka.net](mailto:support@jojoka.net)