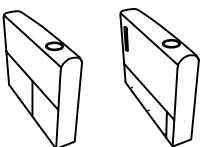
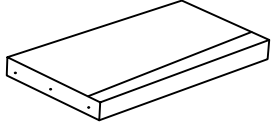
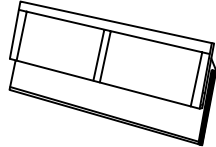
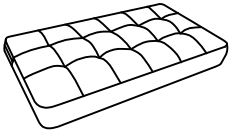
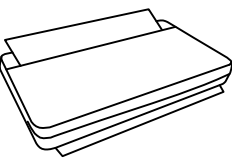
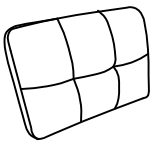
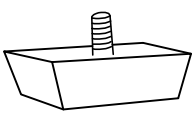
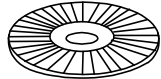

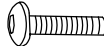
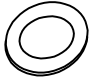

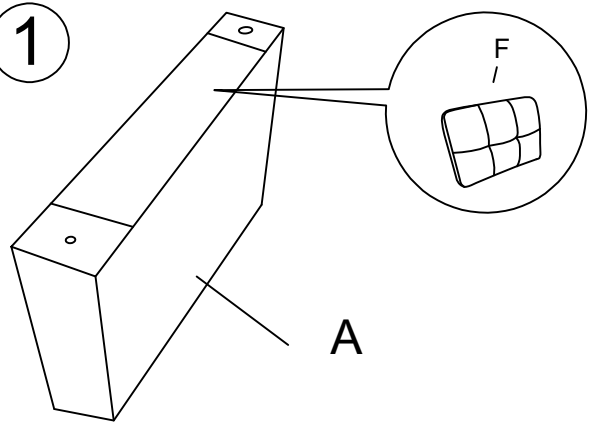


# Assembly Instructions

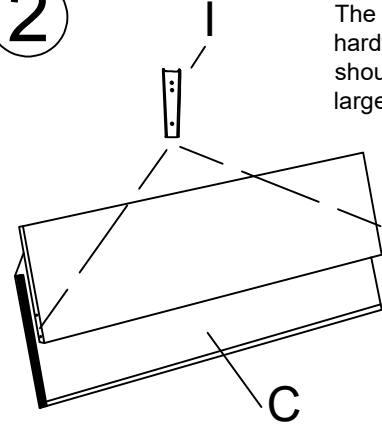
<p>Ax2</p> 	<p>Bx1</p> 	<p>Cx1</p> 	<p>Dx1</p> 
<p>Ex1</p> 	<p>Fx2</p> 	<p>Gx4</p> 	<p>Hx4</p> 
<p>Ix2</p> 	<p>Jx6</p>  <p>M6*50mm</p>	<p>Kx6</p> 	<p>Lx1</p> 

**1**



Find accessory C and legs and other related accessories at the bottom of the two armrests A

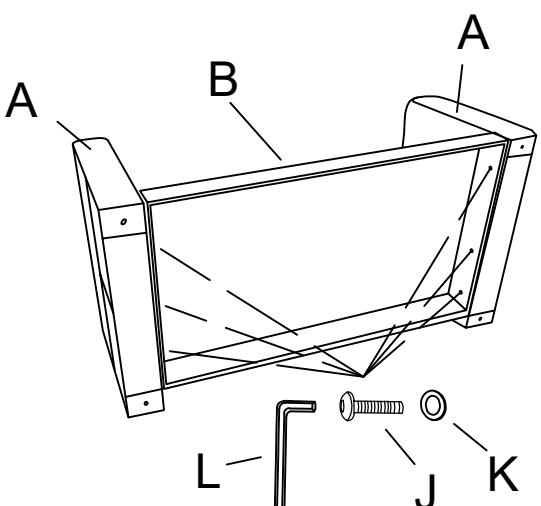
**2**



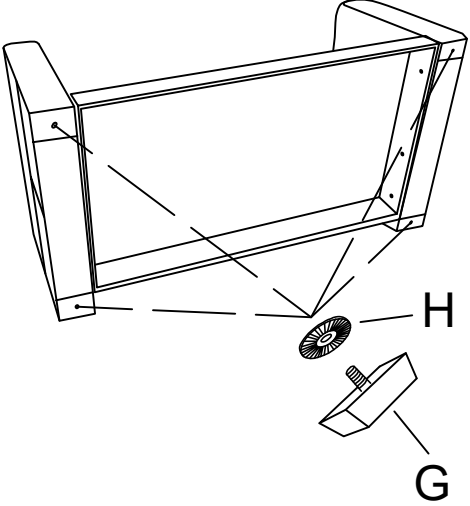
The small end of the hardware accessory "I" should face down and the large end face up.

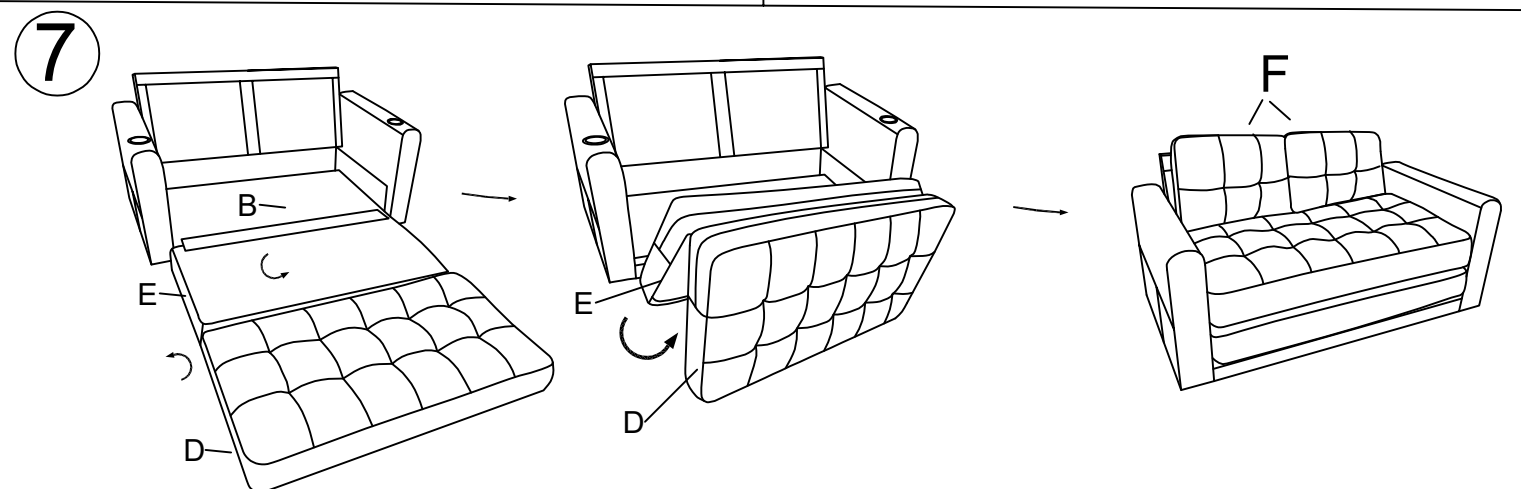
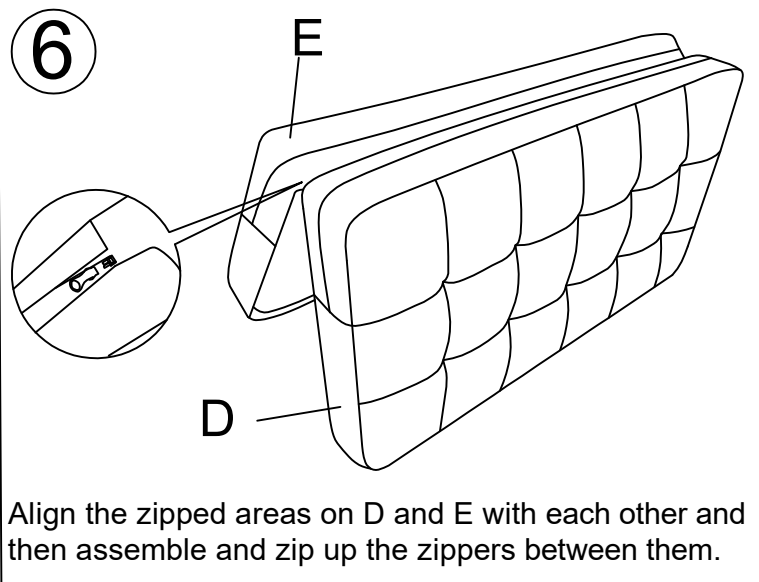
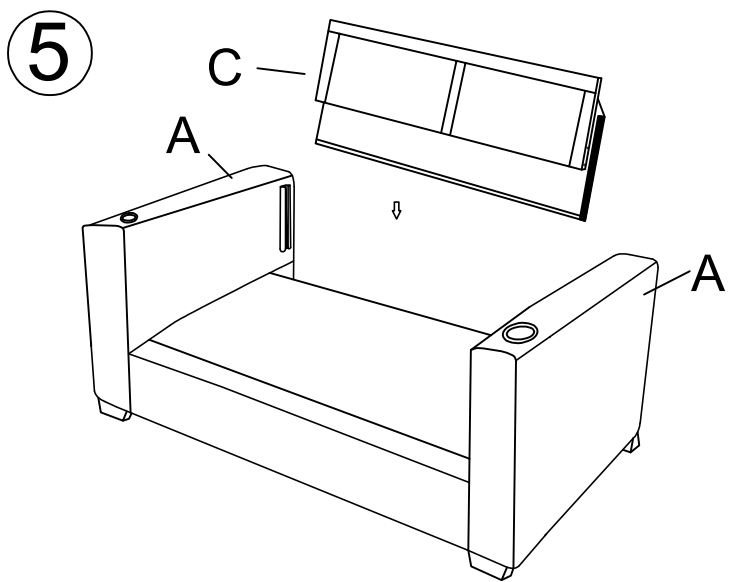
Remove the bolt and fix I on C with L

**3**

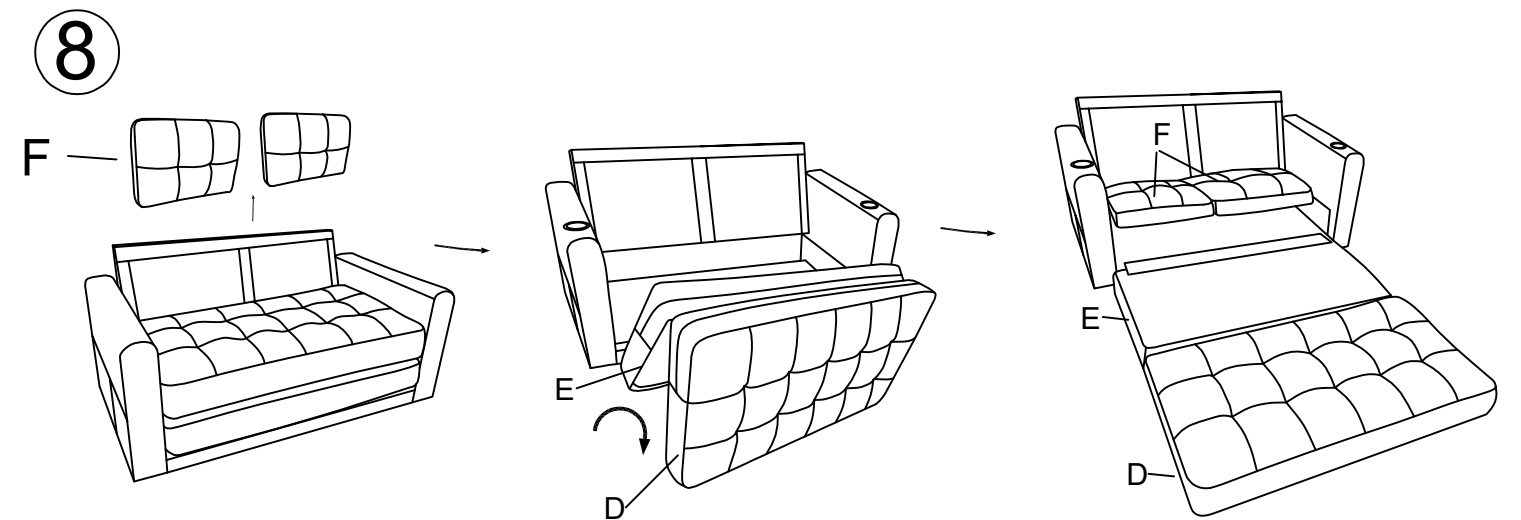


**4**





Assemble the zipper on E with the zipper on B and zip them up. Then, fold and store E and D one by one on B. Finally, place F on D. You will receive a sofa.



First unfold D and E, and place F on top of B. Then you will have a bed.

We provide fast after-sales service, don't worry if there is something wrong with the package you received. Please contact us first, we will reply you in time!