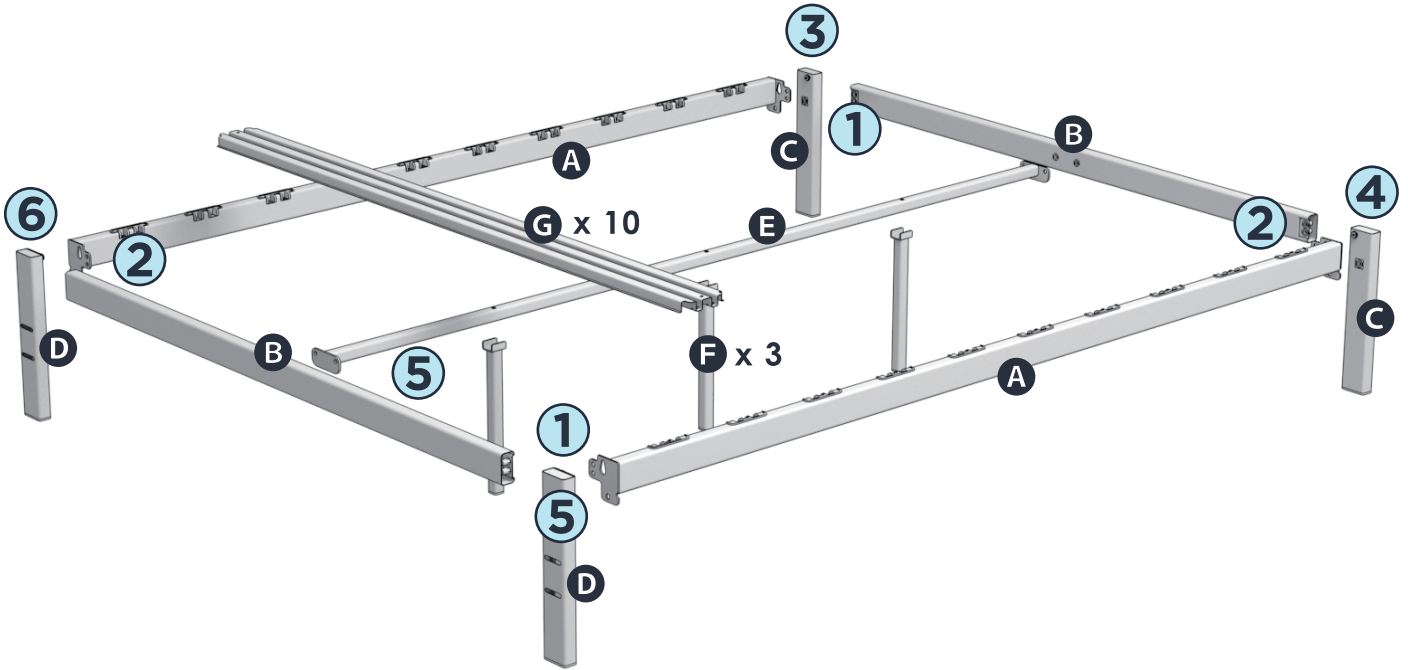


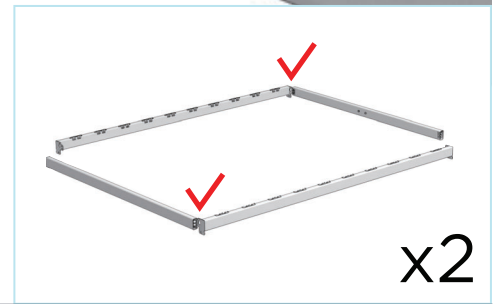
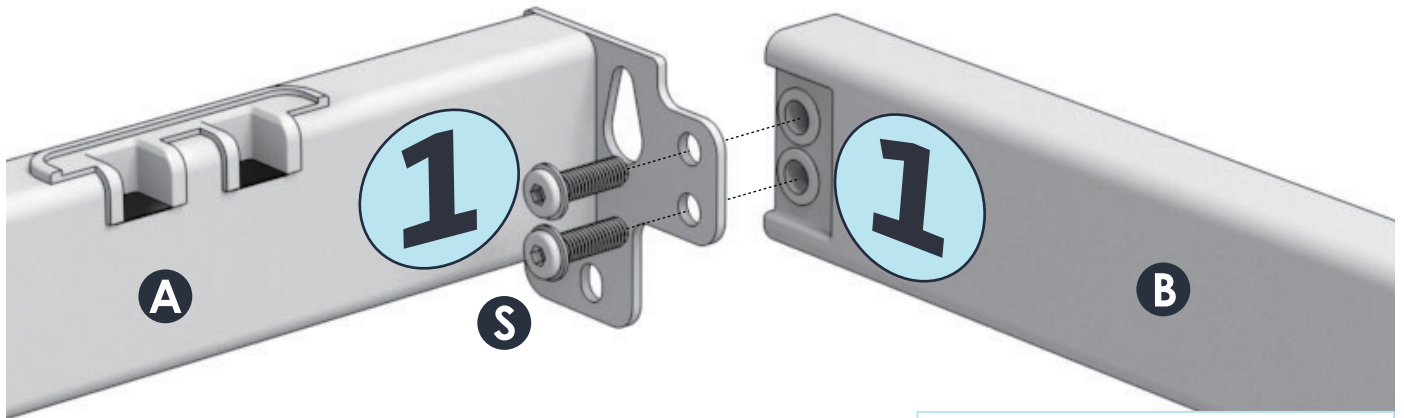
MATCH THE NUMBERS
- easy assembly by matching
numbered parts



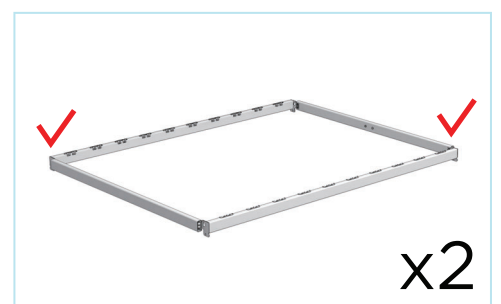
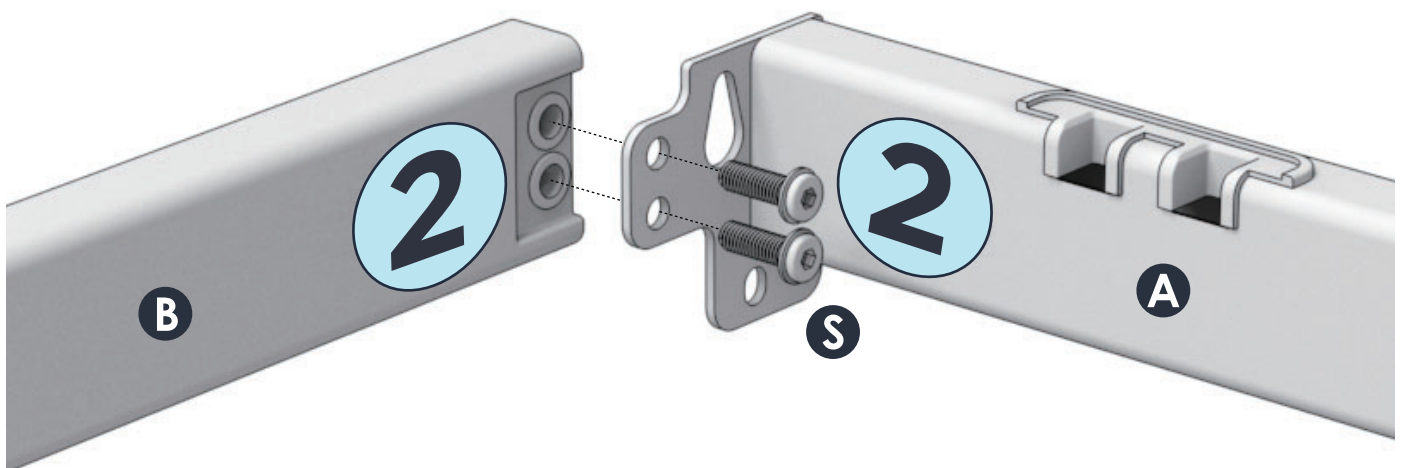
- Full, Queen, King, Cal King

- A** x 2pcs
- B** x 2pcs
- C** x 2pcs
- D** x 2pcs
- E** x 1pc
- F** x 3pcs
- G** x 10pcs
- L** x 3pcs
- S** x 16pcs
- x 3pcs
- x 1pc

1

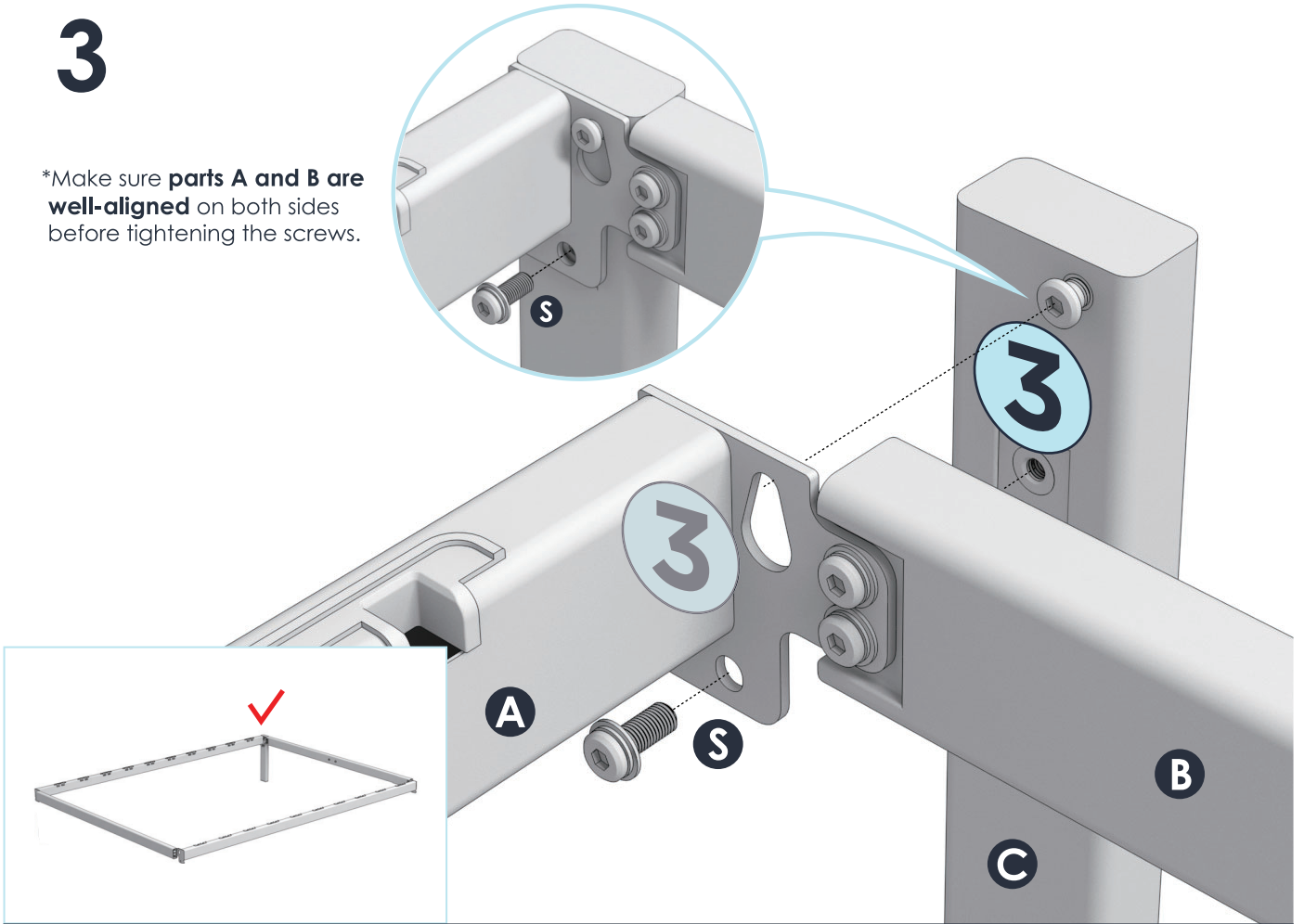


2



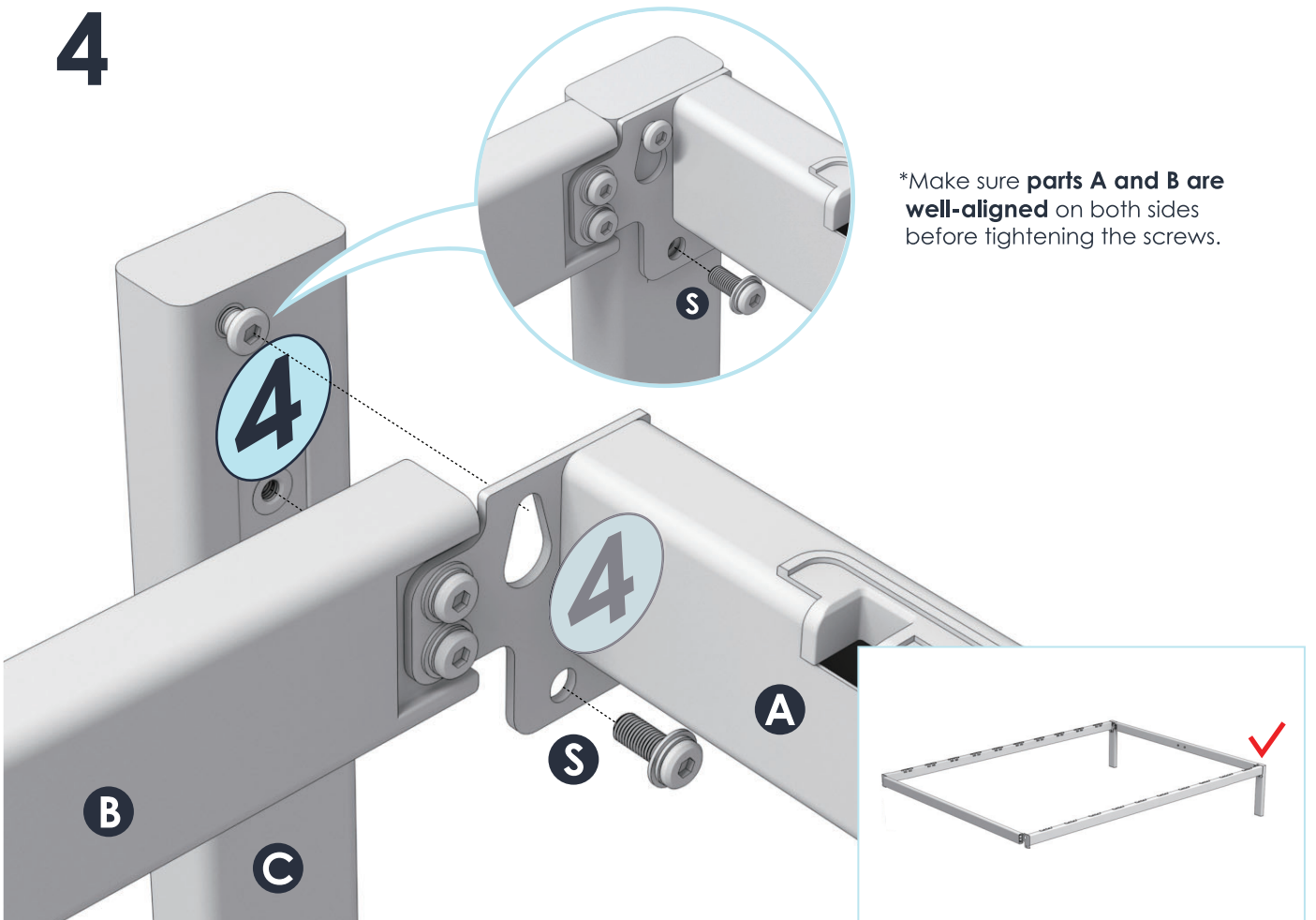
3

*Make sure **parts A and B** are **well-aligned** on both sides before tightening the screws.



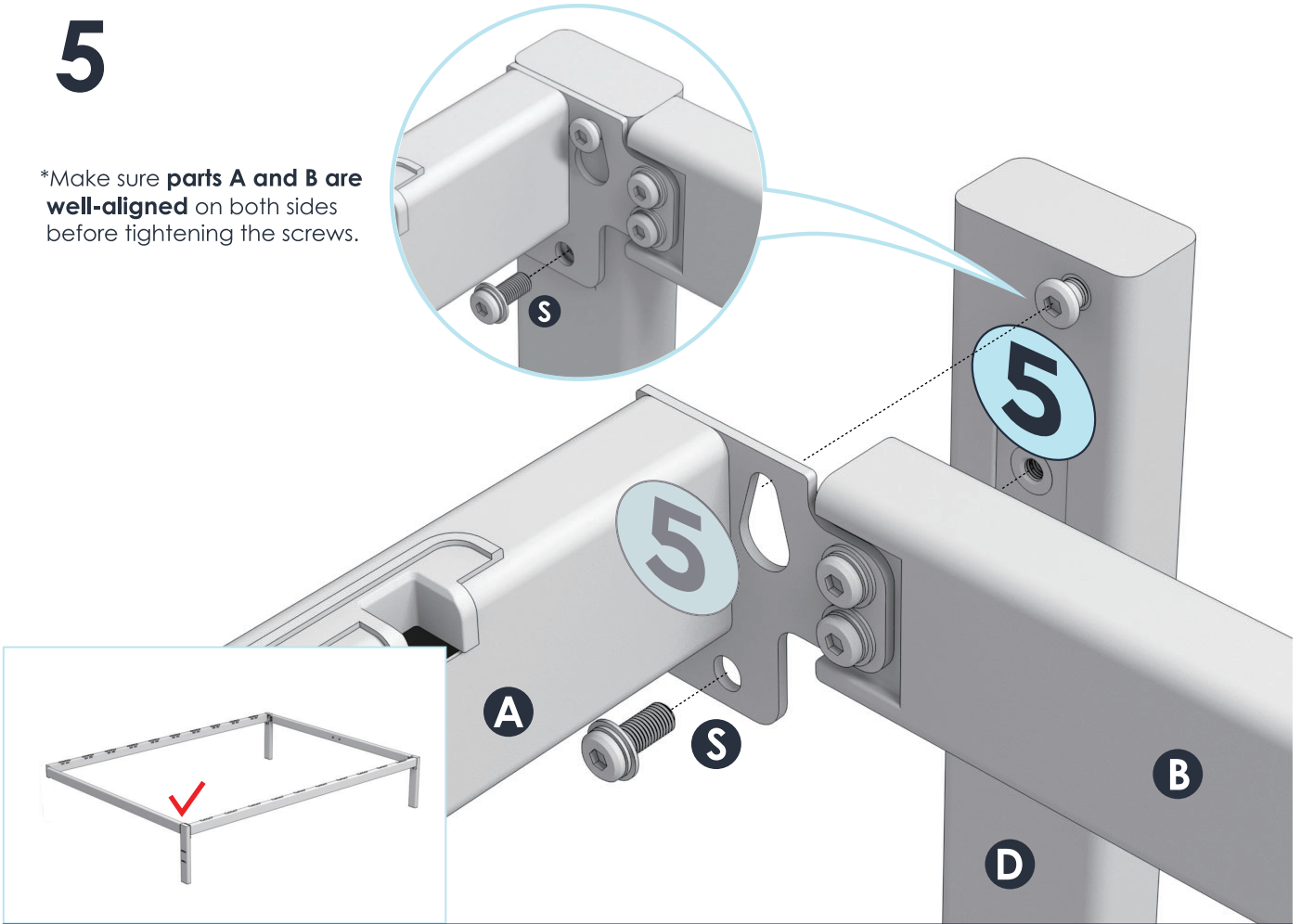
4

*Make sure **parts A and B** are **well-aligned** on both sides before tightening the screws.



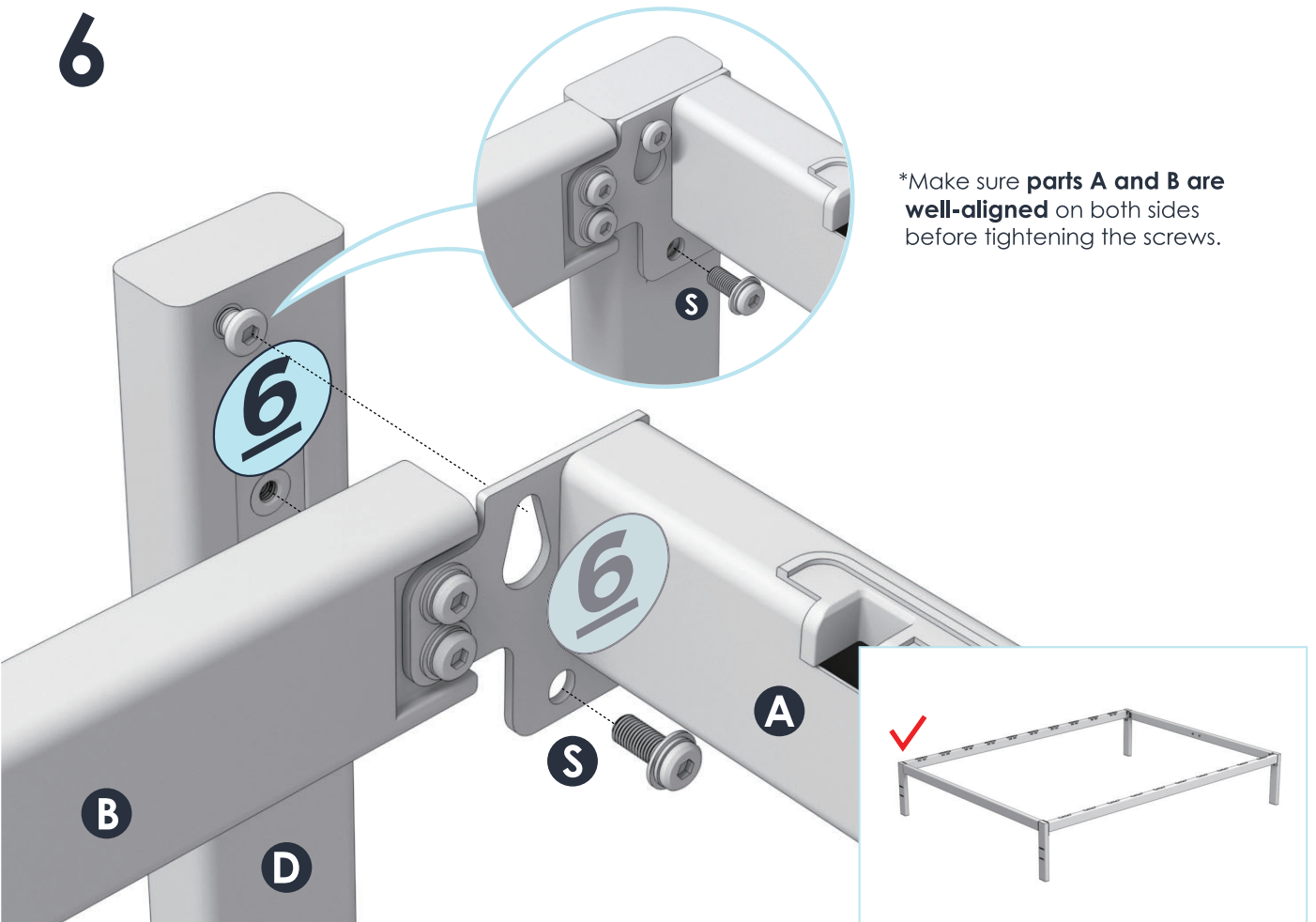
5

*Make sure **parts A and B** are **well-aligned** on both sides before tightening the screws.

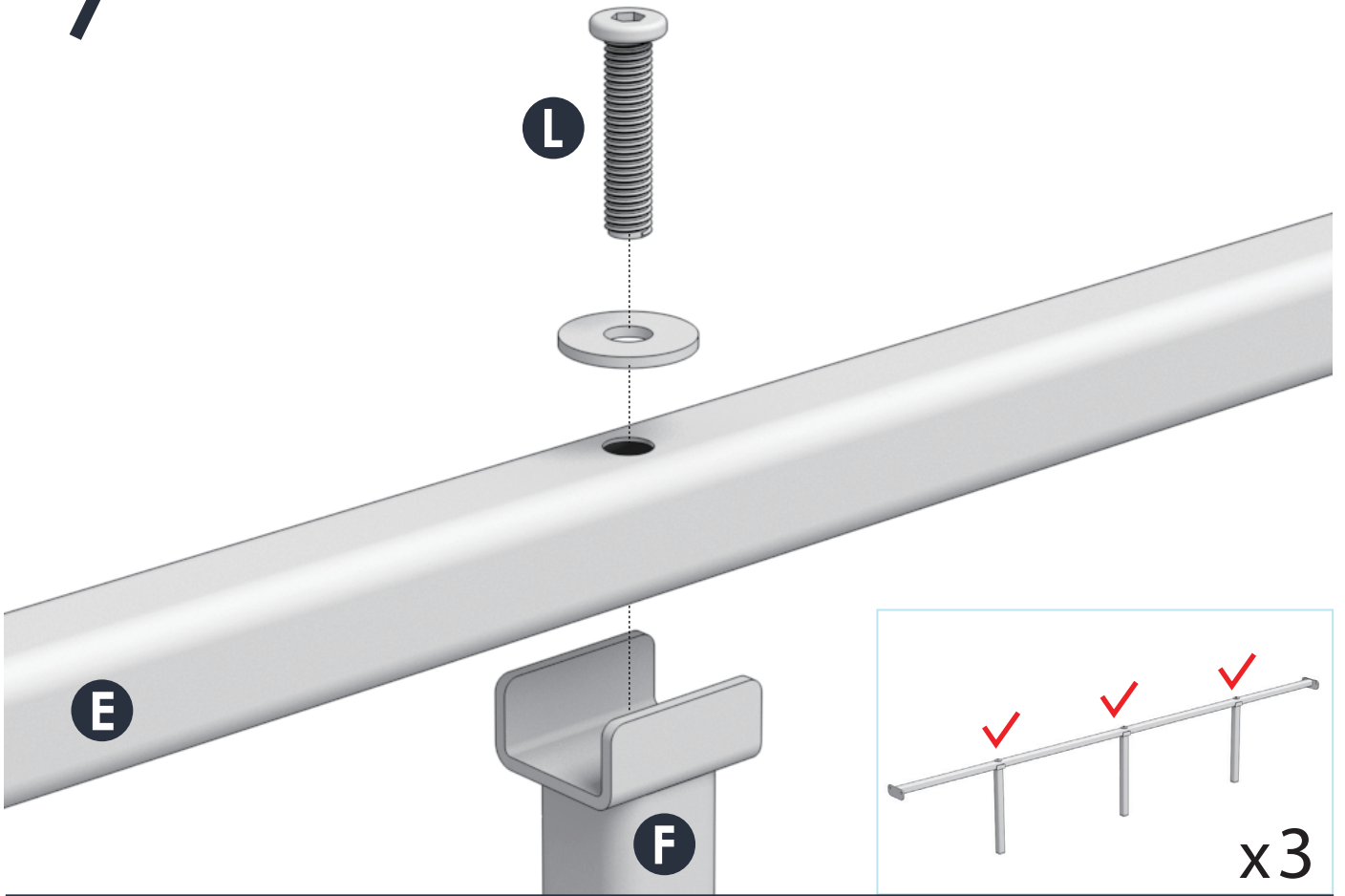


6

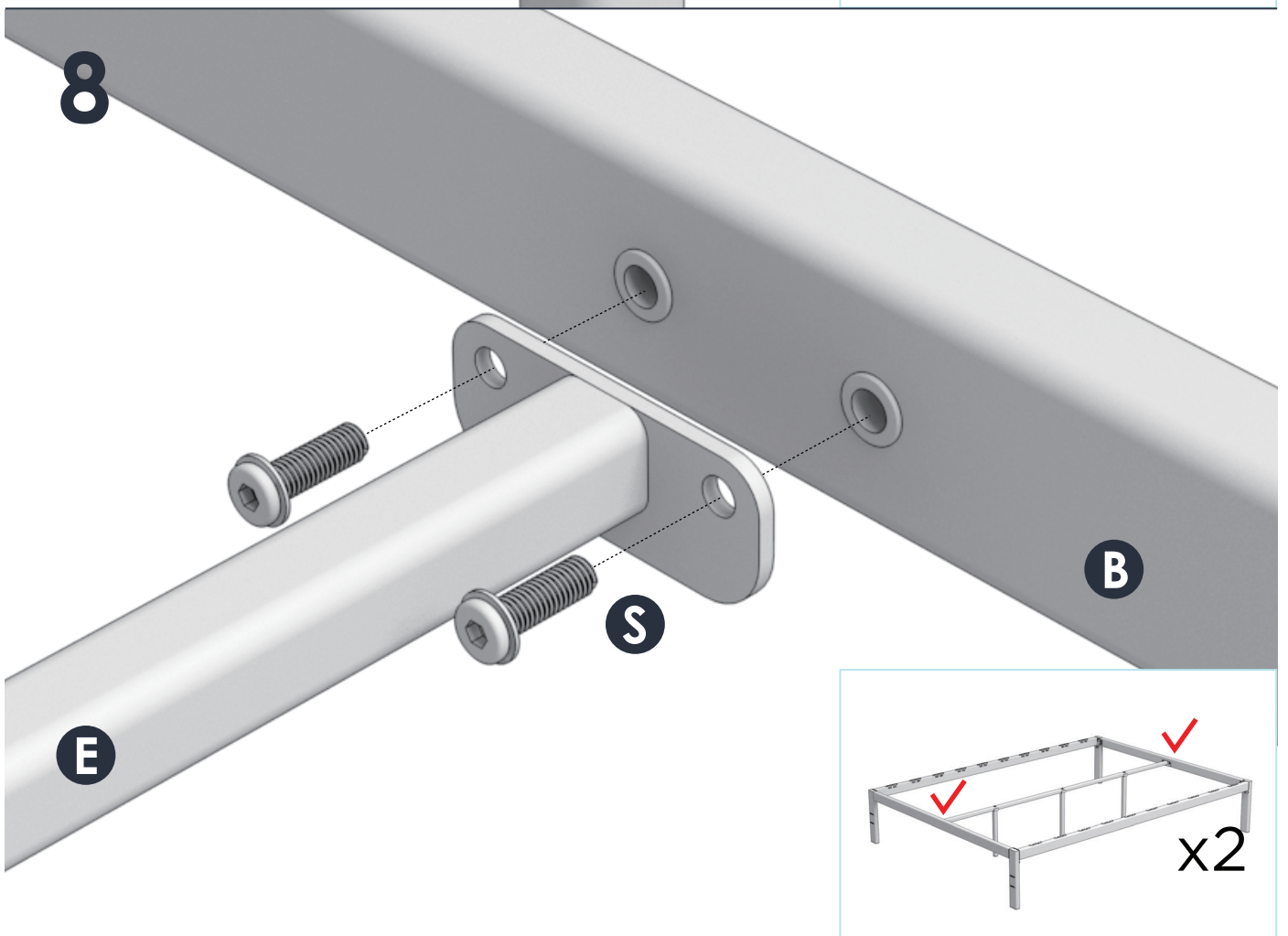
*Make sure **parts A and B** are **well-aligned** on both sides before tightening the screws.



7

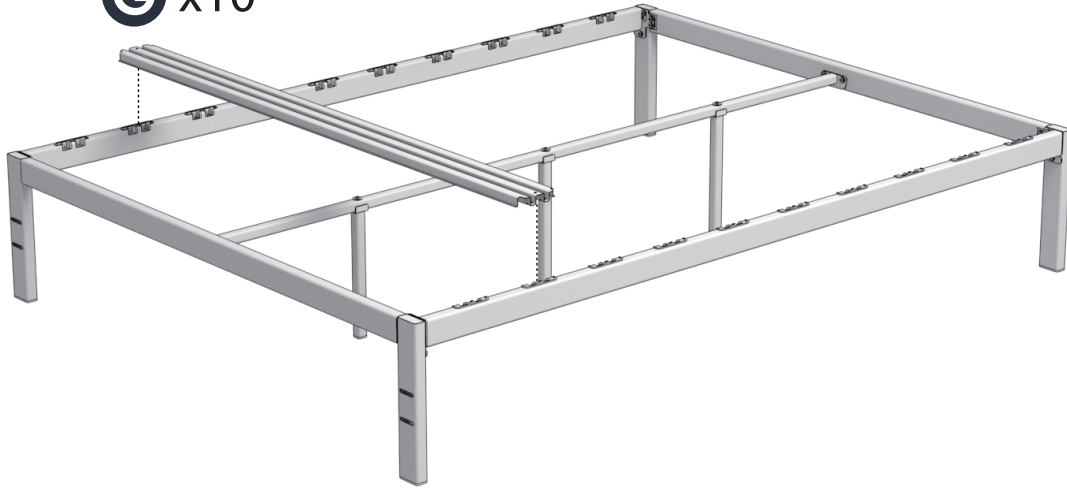


8



9

ⓐ x10



10

Having the mattress slide side to side is no fun. That is why we include two non-slip taped slats to ease your bedtime routine.

*Please make sure to only **remove the top vinyl strip** and not the whole tape!*



EN THIS PRODUCT REQUIRES ADULT ASSEMBLY

If any part is missing or if you have any questions regarding this product, please contact our customer service team by phone or email with this assembly manual open to the components list, ready to provide the model name and component number.



WARNING

Remove mattress and all other objects while moving the assembled unit.



CHOKING HAZARD

Small parts.
Not intended for children.



PREVENT HAND INJURIES

Please use caution when assembling. Avoid placing fingers between frame structure while unfolding.