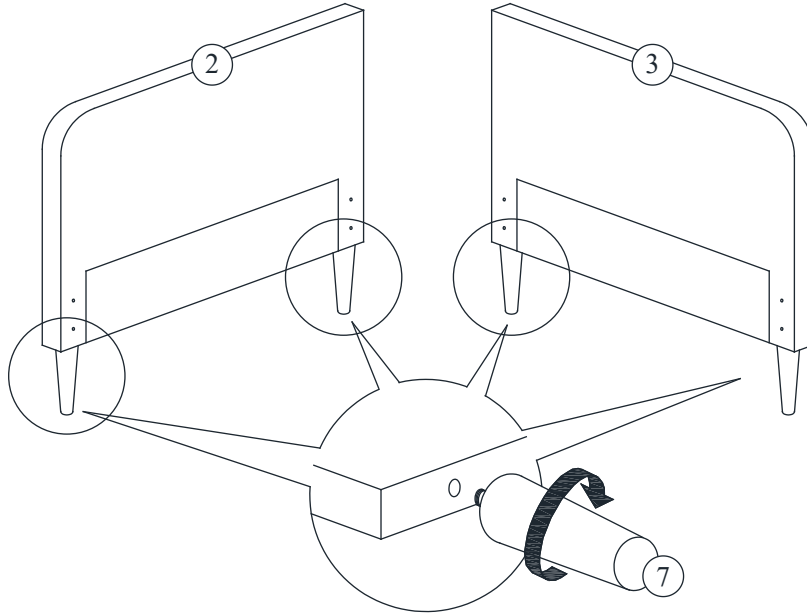
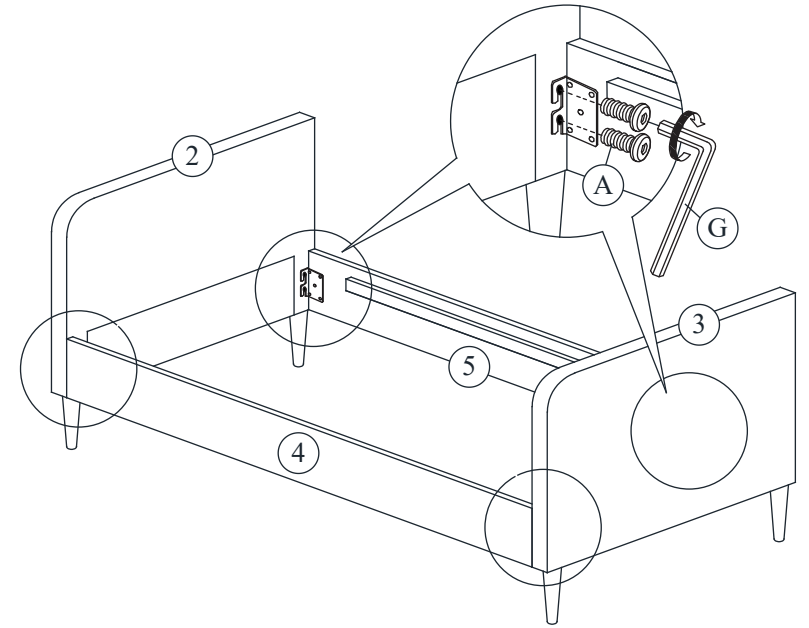


ASSEMBLY INSTRUCTION

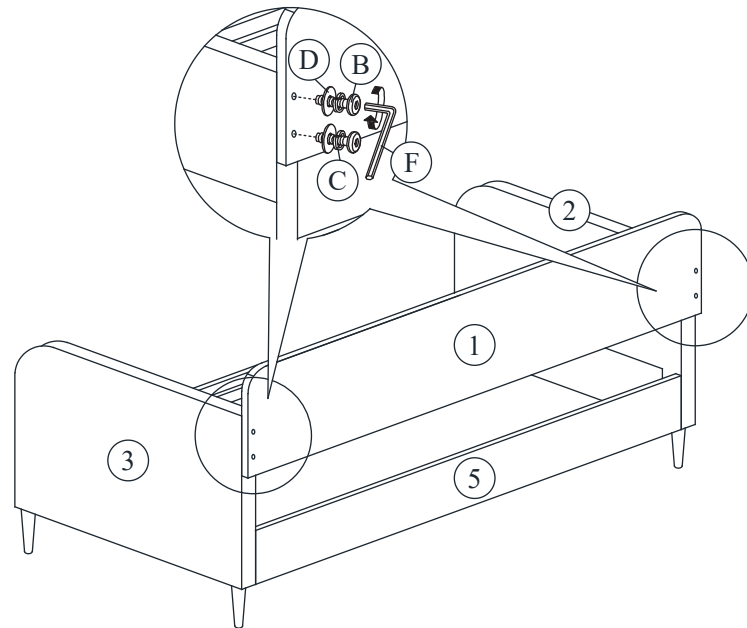
STEP 1



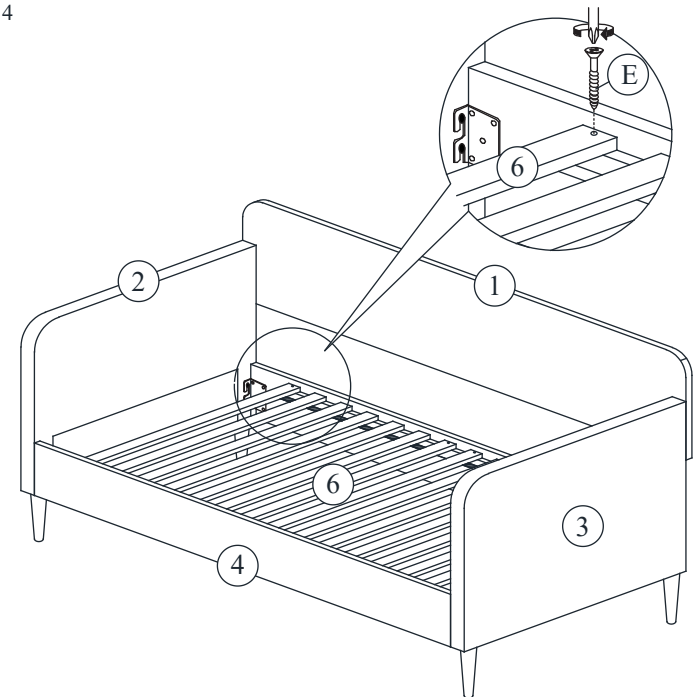
STEP 2



STEP 3



STEP 4



NO	PARTLIST	QTY
1	BACK PANEL	1PC
2	SIDE PANEL (L)	1PC
3	SIDE PANEL (R)	1PC
4	FRONT RAIL	1PC
5	BACK RAIL	1PC
6	7PC SLAT	2SETS
7	LEG	4PCS
ITEM	HARDWARE	QTY
A	JCBB SCREW M8 x 20MM	8PCS
B	JCBC SCREW M6 x 50MM	4PCS
C	SPRING WASHER M6 x 12MM	4PCS
D	FLAT WASHER M6 x 19MM	4PCS
E	SCREW M4 x 32MM	8PCS
F	L - KEY M4 x 100MM	1PC
G	L - KEY M5 x 65MM	1PC