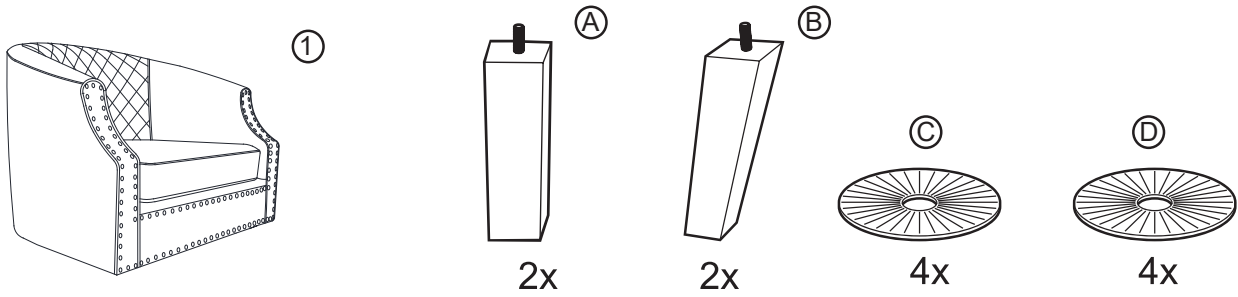


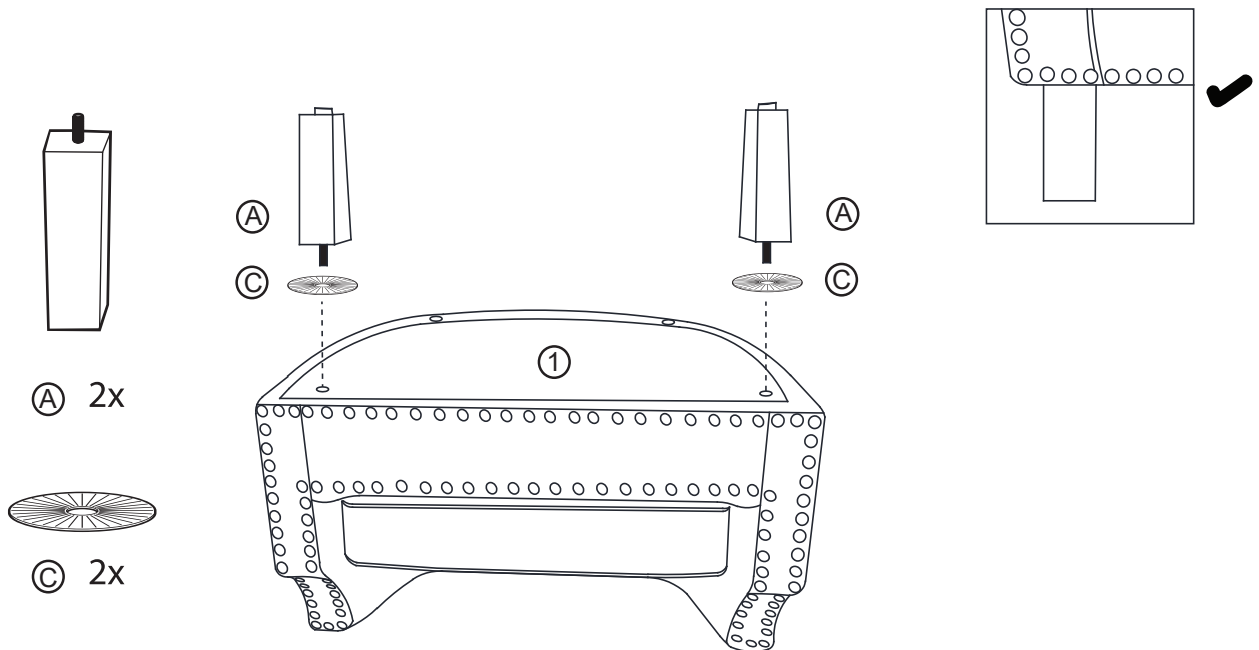
PACKAGE CONTENTS

Front legs(straight) Back legs(angled out)



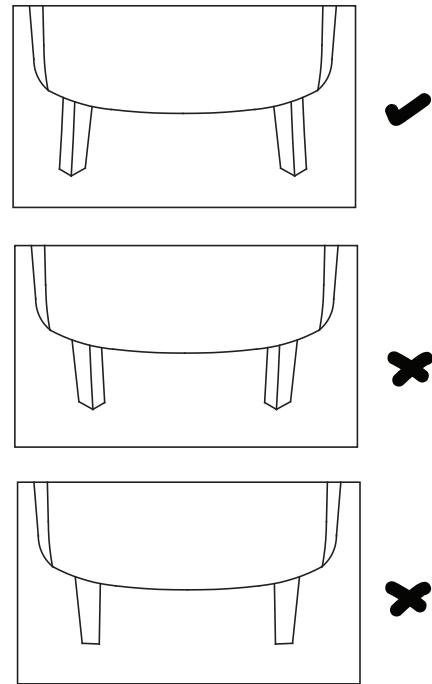
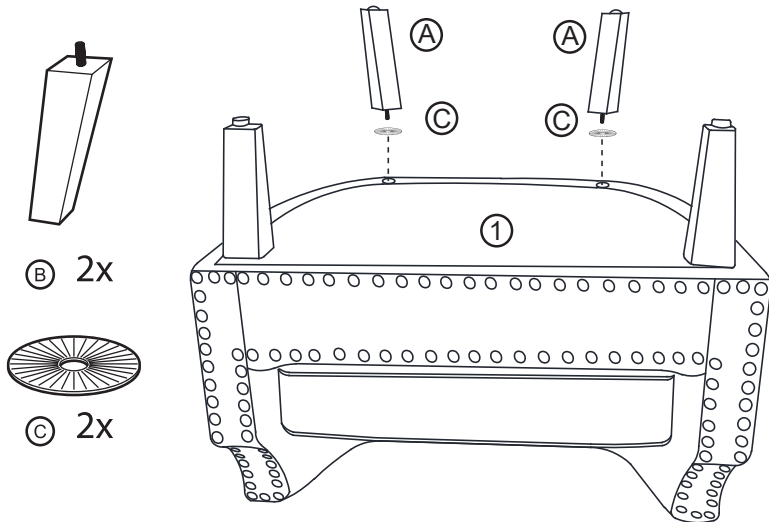
CODE	DESCRIPTION	QTY
1	Seat	1
A	Front legs(straight)	2
B	Back legs(angled out)	2
C	Washer	4
D	Washer (Spare Parts))	4

1 Install Front Legs (Leg: Vertical, Rectangular Face Forward).



2 Attach Rear Legs (Splayed Outward).

★ Take the two angled rear legs.
Any other orientation will make the chair wobble.



3 Level the chair and adjust the leg leveler if necessary.

