

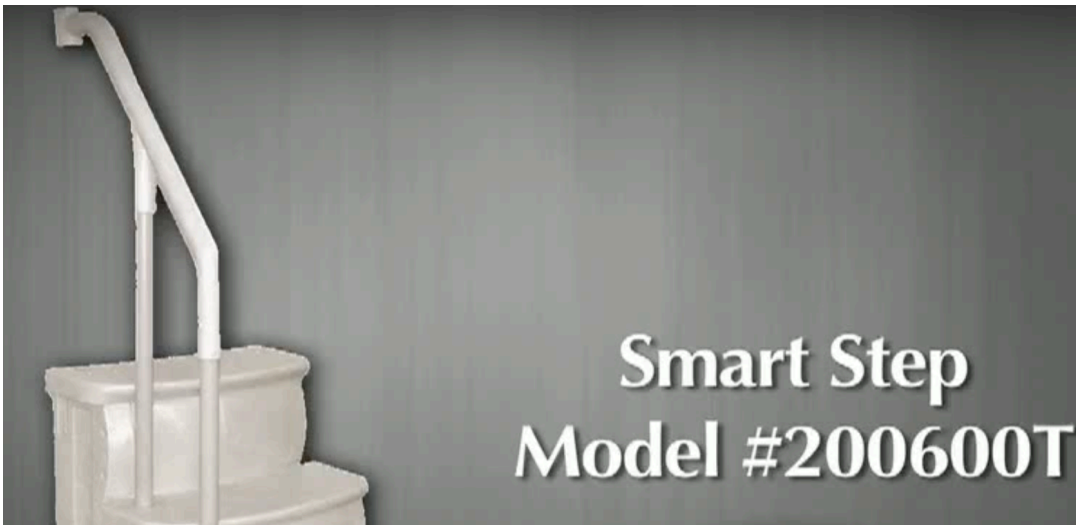


33800 Lear Industrial Parkway, Avon, OH 44011

1-888-333-1134

www.MainAccess.com

Installation Videos Available on YouTube



# Smart Step Model #200600T

**Attention: DO NOT return product to store!** If you have any damaged or missing components, please contact Main Access customer service for immediate assistance at 1-888-333-1134 or info@MainAccess.com.

All assembly videos available [mainaccess.com](http://mainaccess.com) or YouTube

Be sure to check out the wide variety of products that Main Access offers!

**AQUA CLOUD**  
OVERSIZED FLOATING MATTRESS



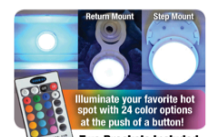
**Illuminate Your Life**



**The Anchor**  
UNIVERSAL STRAP



**SmartLite**  
RECHARGABLE UNDERWATER LED LIGHT



## Assembly Instructions for Model #200600T Smart Step

(For use with Model #200700T Smart Choice Ladder)



# SMART STEP

\*For use with Model #200700T (Smart Choice Ladder) to create the Smart Step System\*

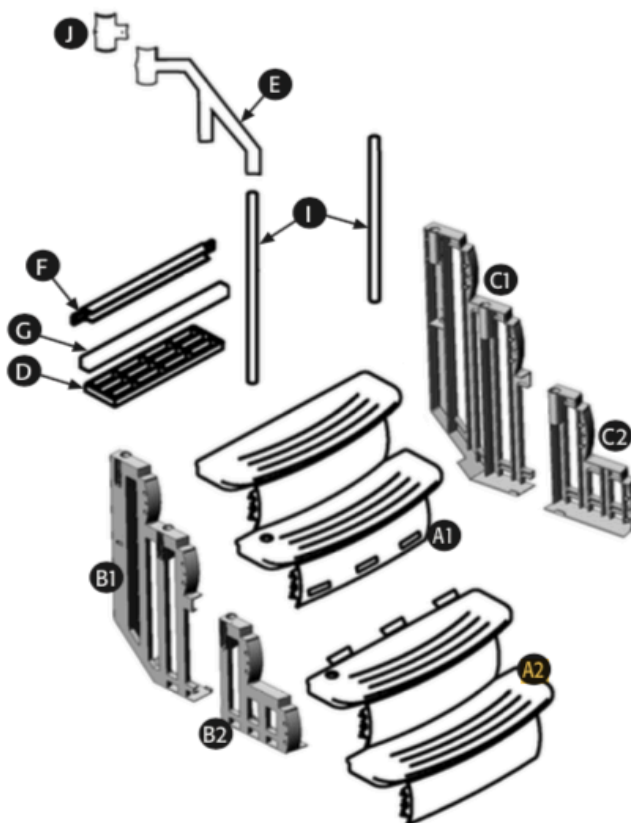
-----  
**Smart Step Components**      **Qty**

A1) Upper Step Tread	1
A2) Lower Step Tread	1
B1) Upper Left Side Riser	1
B2) Lower Left Side Riser	1
C1) Upper Right Side Riser	1
C2) Lower Right Side Riser	1
D) Ballast Tray	1
E) Upper Handrail	1
F) Top Step Support Brace	1
G) Mid Riser Support Brace	1
I) Lower Handrails	2
J) Smart Connector	1

-----  
**Hardware Kit (not shown)**      **Qty**

K) Ballast Sand Bags	2
L) #8 x 1" Screws	8
M) #14 x 1-1/4 Screws	4

-----



**\*\*Replacement Parts Available at [MainAccess.com](http://MainAccess.com)\*\***

**SAFETY INSTRUCTIONS:**

- Install step per manufacturer's instructions.
- Locate Easy Entry Step on a solid base.
- Easy Entry Step is designed for use by one person at a time.
- This step is intended for use as a swimming pool entry/exit only.
- Face the step when entering and exiting the pool.
- No jumping, no diving from the step.
- Do not swim through, behind or around the step.

**Tools Required**

Cordless Screwgun/Drill, 1/8" Drill Bit,  
 Standard Phillips Bit, Safety Glasses

SAND NOT INCLUDED. FLAT BOTTOM POOLS ONLY.

**Note:** Before you begin the assembly of your ladder/step please insure you have all components and hardware.

**Step 1: Align the holes on upper left riser with with mushroom caps on the upper step tread.**



**Step 2: Snap into place with a rubber mallet.**



**Step 3: Repeat steps 1 & 2 on the right side of the step.**



**Step 4: Align the holes on the lower left riser with the mushroom caps on the lower step tread.**



**Step 5: Snap mushroom caps into place using rubber mallet.**



**Step 6: Repeat steps 4 & 5 on the right side of the step.**



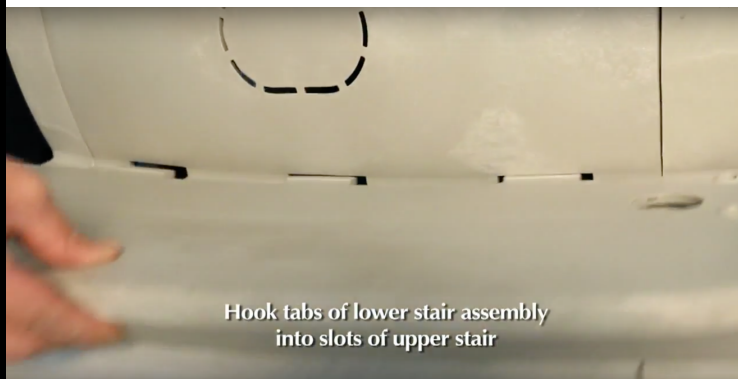
**For Questions Regarding Installation, Please Contact Main Access Customer Service 1-888-333-1134**



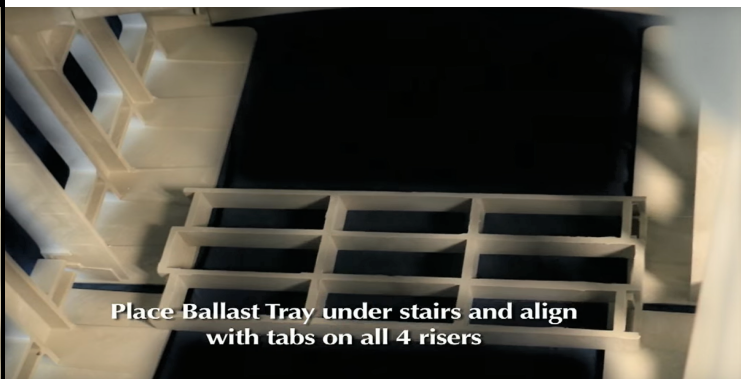
**SMART STEP**

**Model #200600T Assmebly Instructions**

**Step 7: Insert the tabs from lower step assembly into the slots of the upper step assembly.**



**Step 8: Align ballast tray between all four risers under the step.**



**Step 9: Snap tabs from upper and lower risers into the ballast tray with a rubber mallet.**



**Step 10: Insert top step support brace in between upper risers.**



**Step 11: Insert mid riser brace in between risers and over the tabs. May have to tilt side risers to secure.**



**Step 12: Insert a lower handrail into the hole on the second step (lower step tread).**



**Step 13: Insert the second lower handrail into the third step (lower hole on the upper step tread)**



**Step 14: Place upper handrail over both lower handrails and push down until fully seated.**



**Step 15: Use the socket cap provided to plug the unused hole in the upper step tread.**



**Step 16: Drill #14 x 1 1/4" screws into handrails through all upper and lower risers.**



**Step 17: Drill #8 x 1" screws into four dimples on step tread.**



**Step 18: Use two #8 x 1" screws to secure the upper handrail to the two lower handrails.**



**For Questions Regarding Installation, Please Contact Main Access Customer Service 1-888-333-1134**



## Model #200600T Assmeby Instructions

**Step 19: Retrieve Smart Choice Ladder and center Support Feet on top step. Secure feet using (8) 1" screws through hash marks on Support Feet (C).**

**Step 20: Attach Upper Rail (E) to Smart Choice Handrail (A) using Smart Connector (J) and (2) #8 x 1" screws.**



### Step 21: Pool Installation

**Note: Two people are required for installation.**

**A total weight of approximately 100 lbs. is required to keep the step from floating once in place under water. With the assistance of another person, carefully place the step in the pool. Place two sealed bags of sand (not included) into the two ballast bags (M) and place over the ballast tray (D) to wiegh the step down. Walk the step back against the pool wall to prevent swim-behind hazards.**

**\*Optional\* Purchase (2) Anchors (#200888) to weigh down the Smart Step. Sand not included.**



## All Finished!



**For Questions Regarding Installation, Please Contact Main Access Customer Service 1-888-333-1134**

**Be sure to check out these other great products from Main Access!**

# SmartLite

RECHARGABLE UNDERWATER LED LIGHT



Mount it to your step or hang it from the return!

# The Anchor



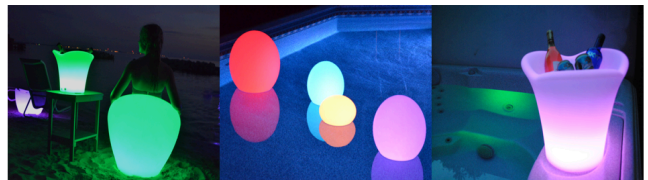
Use them to easily weigh down your pool step!

# AQUA CLOUD

OVERSIZED FLOATING MATTRESS



Luxury Pool Floats!



Light-up Floating Globes and Furniture!

# MAIN ACCESS

33800 Lear Industrial Parkway  
Avon, OH 44011  
1-888-333-1134  
Info@MainAccess.com  
www.MainAccess.com









