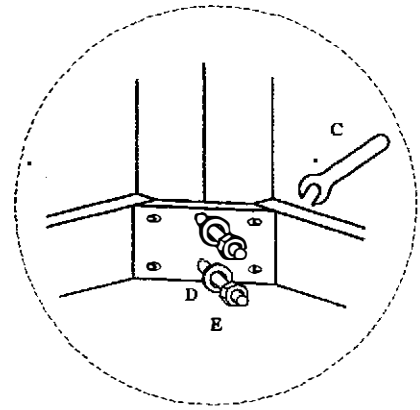
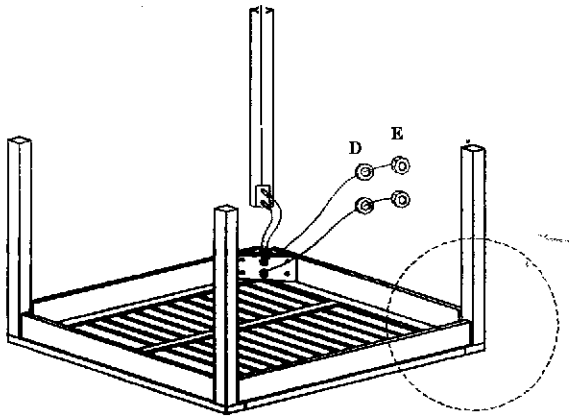


# ASSEMBLY INSTRUCTIONS

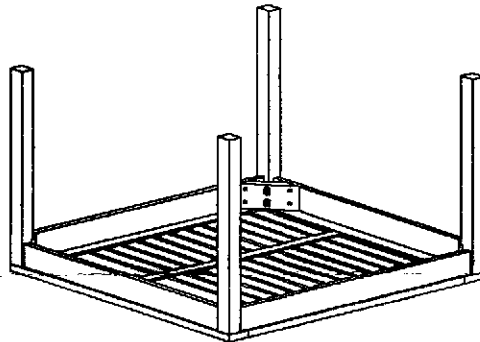
## TEAK WOOD SQUARE TABLE (ATF75)

### STEP 1

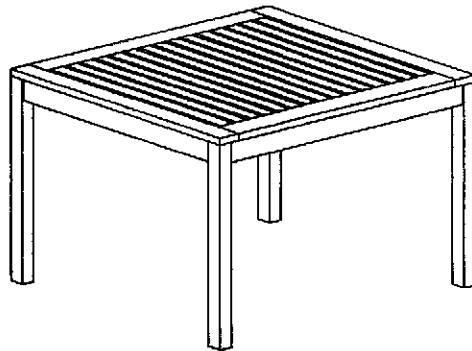


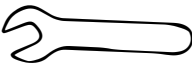


**DETAIL A**

### STEP 2



### STEP 3



NO	PARTS	QTY.
C	<b>WRENCH</b> 	1
D	<b>RING</b> 	8
E	<b>NUT</b> 	8