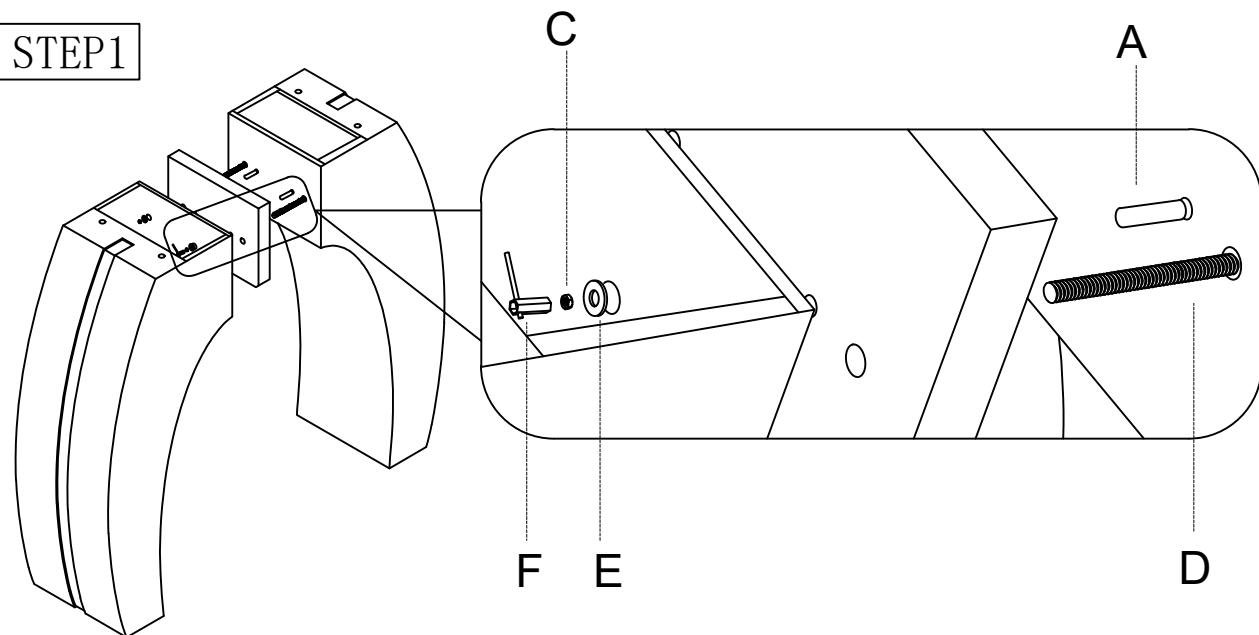
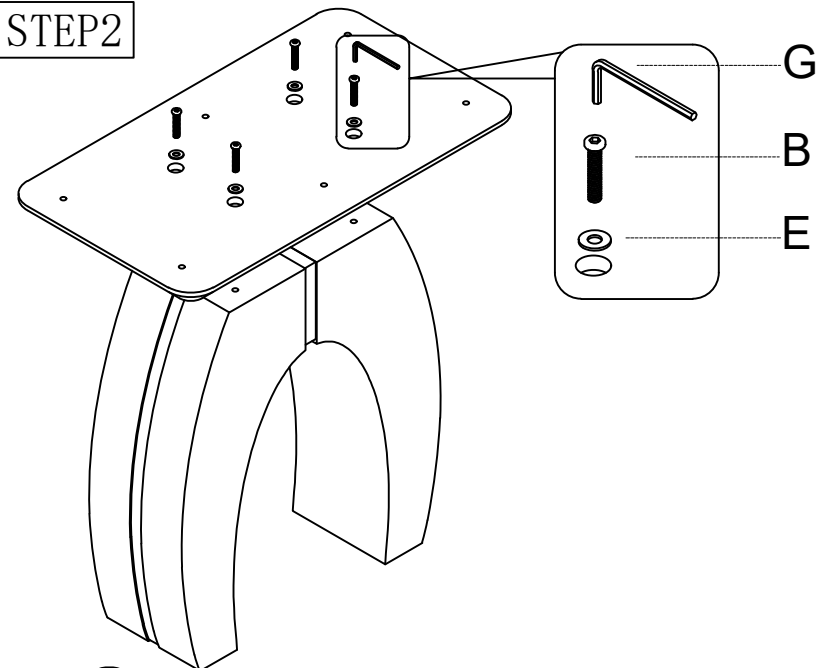


ASSEMBLY INSTRUCTION

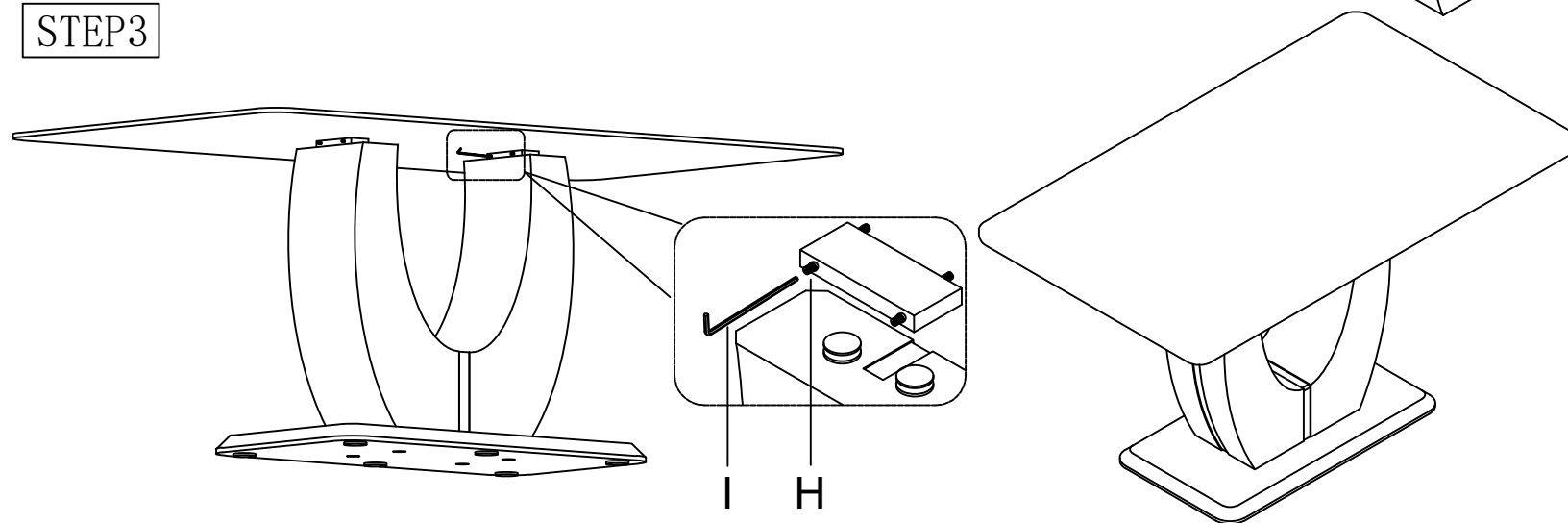
STEP1












STEP2



STEP3



A		∅8*50mm	2pcs
B		M8*50mm	4pcs
C		M8	2pcs
D		M8*90mm	2pcs
E		∅22mm	8pcs
F		17*47mm	1pc
G		5mm	1pc
H		M6*10mm	8pcs
I		3mm	1pc