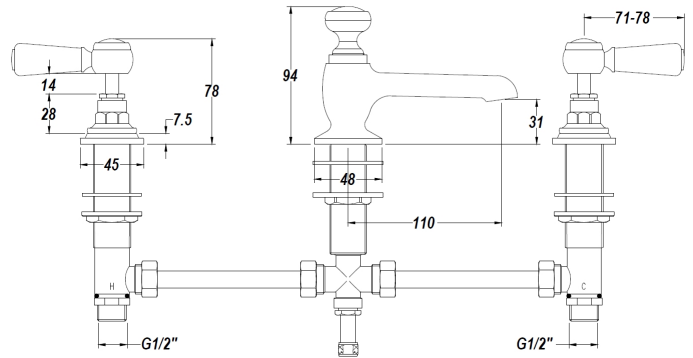


CUSTOMER DATA SHEET - BRASSWARE

SALES CODE: BC307HL

DESCRIPTION: Topaz Lever 3Th Basin Mixer



PRODUCT DIMENSIONS

| Height (mm) | Width (mm) | Depth (mm) | Length (mm) | Nett Wgt Kg |
|-------------|------------|------------|-------------|-------------|
| 94 | 246 | 140 | | 2.8 |

PACKAGING DIMENSIONS

| Height (mm) | Width (mm) | Depth (mm) | Gross Wgt Kg |
|-------------|------------|------------|--------------|
| 75 | 150 | 430 | 3 |

PACKAGING DATA

| | | | |
|------------|---------------------|--------------|-------------|
| Box Colour | White Cardboard Box | | |
| Box Qty | 1 | Label Colour | White Label |
| Label Size | 100 x 50 | Label Qty | 1 |

OUTER BOX DIMENSIONS (If Applicable)

| Height (mm) | Width (mm) | Depth (mm) | Length (mm) | Gross Wgt Kg |
|-------------|---------------|------------|-------------|--------------|
| 495 | 555 | 290 | | 25 |
| Barcode | 5055275871485 | | | |

PRODUCT DETAILS

| | | | |
|--------------------------|-----------------------|--------------|-----|
| Country of Origin | United Kingdom | | |
| Fitting Instruction | Yes | | |
| Product Material | Brass | | |
| Control Type | Manual | | |
| Waste Included | Waste Included | | |
| WRAS Approval | No | Approval No. | N/A |
| Operating Pressure (bar) | 0.1 | | |
| Valve/Cartridge Type | 1/4 Turn Ceramic Disc | | |

| | | | | | | | | | | |
|-----------------------------|------------------|-----|---------|----|-------|------|-------|----|-------|------|
| Colour/Finish | Chrome | | | | | | | | | |
| Mount Type | Deck | | | | | | | | | |
| Waste Type | Pop-Up | | | | | | | | | |
| Flow Rates (Litres Per Min) | 0.1 bar | 5.6 | 0.5 bar | 14 | 1 bar | 20.2 | 2 bar | 29 | 3 bar | 35.4 |
| Pipe Size | 15 mm (1/2" Bsp) | | | | | | | | | |
| Pipe Centres | N/A | | | | | | | | | |