

INSTALLATION

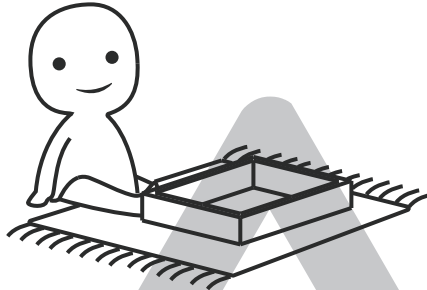
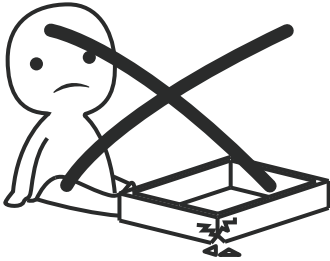
Product Manual

Version: 590026US-01-25A-NG



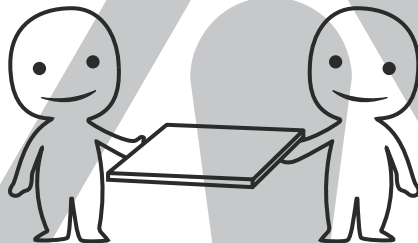
IMPORTANT INFORMATION!

please read the entire manual before starting to assemble and/or using this product. follow the manual thoroughly and keep it for further reference.



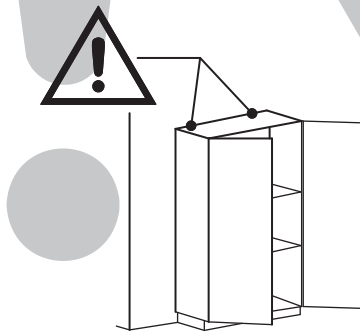
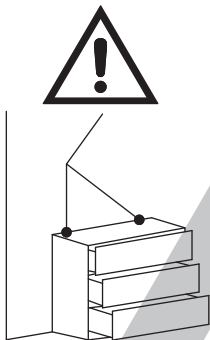
AVOID SCRATCHES!

In order to avoid scratching this furniture should be assembled on a soft layer- could be a rug.



IMPROVE EFFICIENCY !

Try to find a partner to install with you, which can speed up the installation efficiency and shorten the time.



ANTI-TOPPLE WARNING !

Overturnd furniture can cause serious or fatal crush injuries. To prevent tipping over, be sure to use the wall attachment, if not included with this product. Please purchase the wall attachment that fit your wall. If unsure, seek professional advice. Please read and follow each step of the instructions carefully.

IMPORTANT !

It is important that any product which is assembled using any kind of screw is re-tightened 2 weeks after assembly, and once every 3 months - in order to assure stability through-out the lifespan of the product.

For regular maintenance and cleaning of the product, for the frame, please use a rag dipped in neutral detergent to fully wipe it, and then dry it with a clean rag. For glass materials, wipe with a rag dampened with water glass cleaner, and then dry with a dry rag.

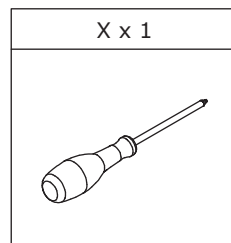
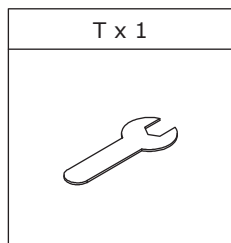
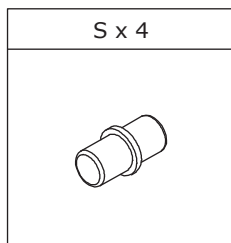
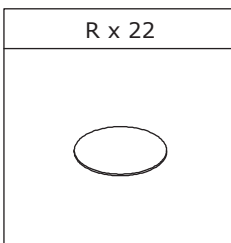
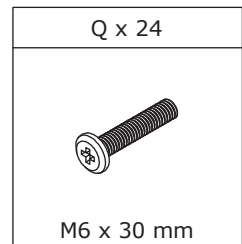
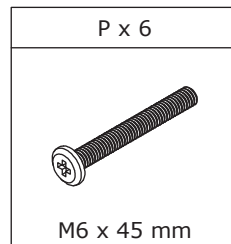
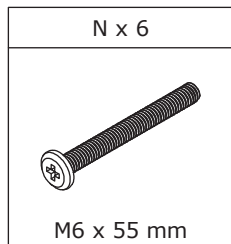
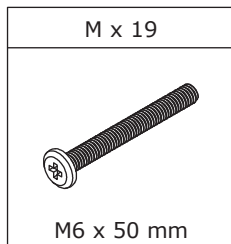
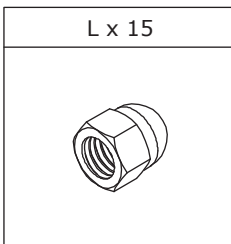
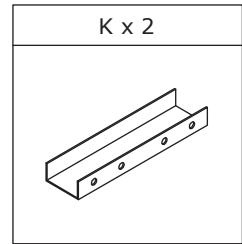
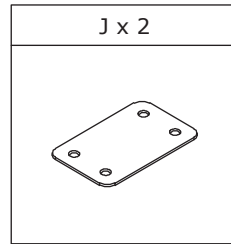
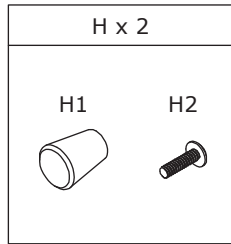
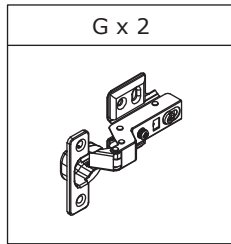
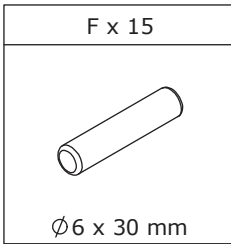
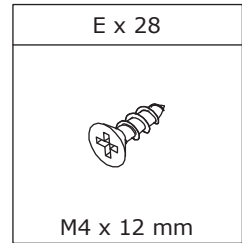
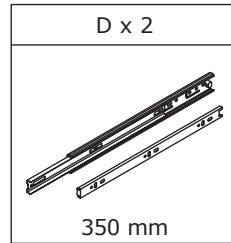
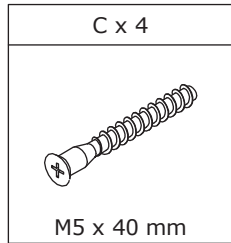
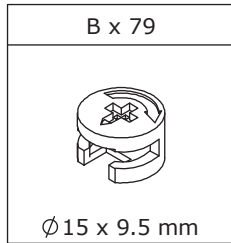
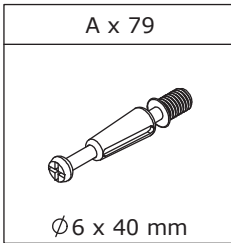
Do not use an electric screwdriver, and do not use too much force when installing, because the board is easy to break.

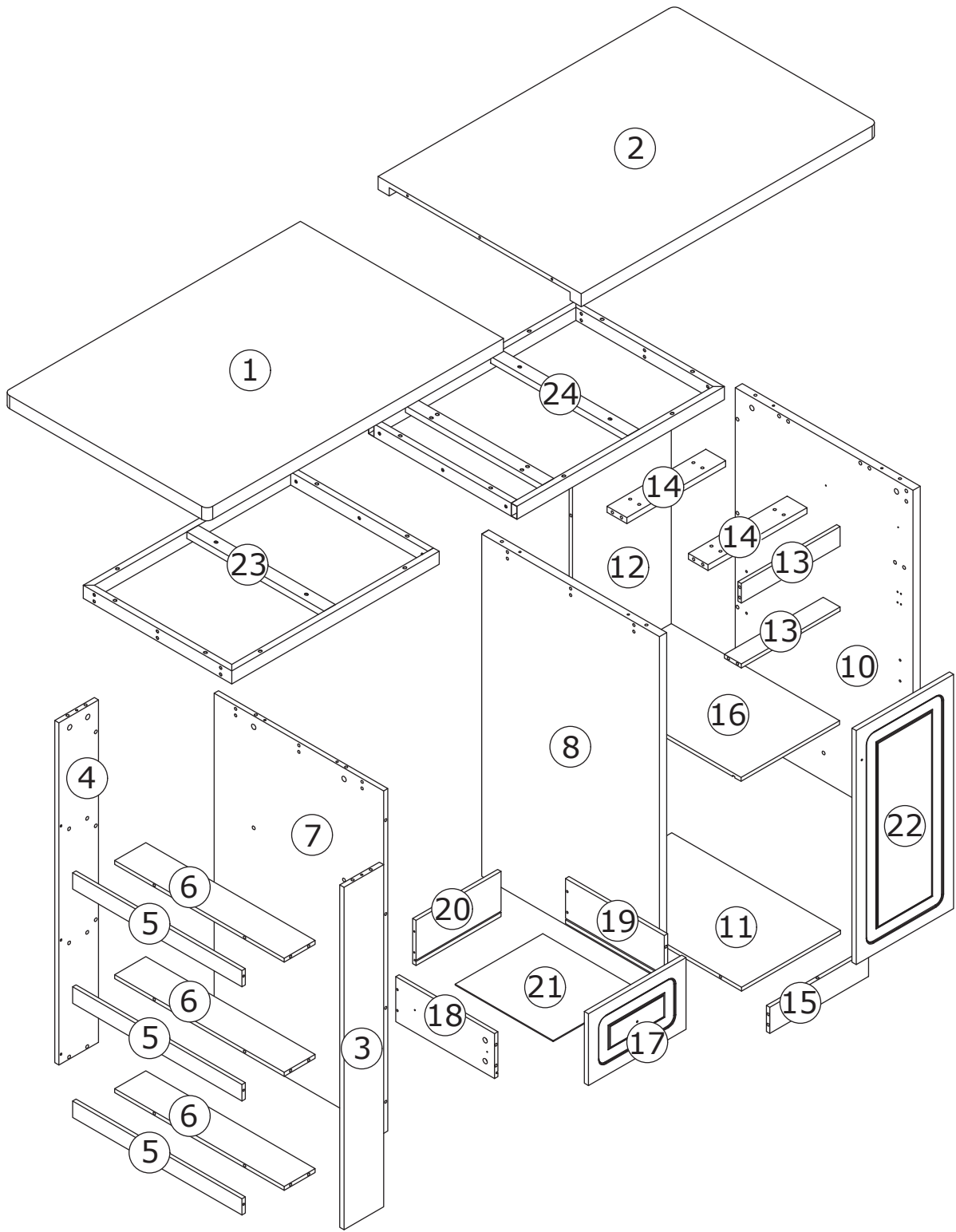


Please prepare the following tools



When installing, please carefully confirm whether each screw corresponds to the manual, accessories with similar shapes can be distinguished by size





⚠ WARNING



Children have died from furniture tipover. To reduce the risk of furniture tipover:

- ALWAYS install Anti-tip device provided.
- NEVER put a TV on this product.
- NEVER allow children to stand, climb or hang on drawers, doors, or shelves.
- NEVER open more than one drawer at a time.
- Place heaviest items in the lowest drawers.



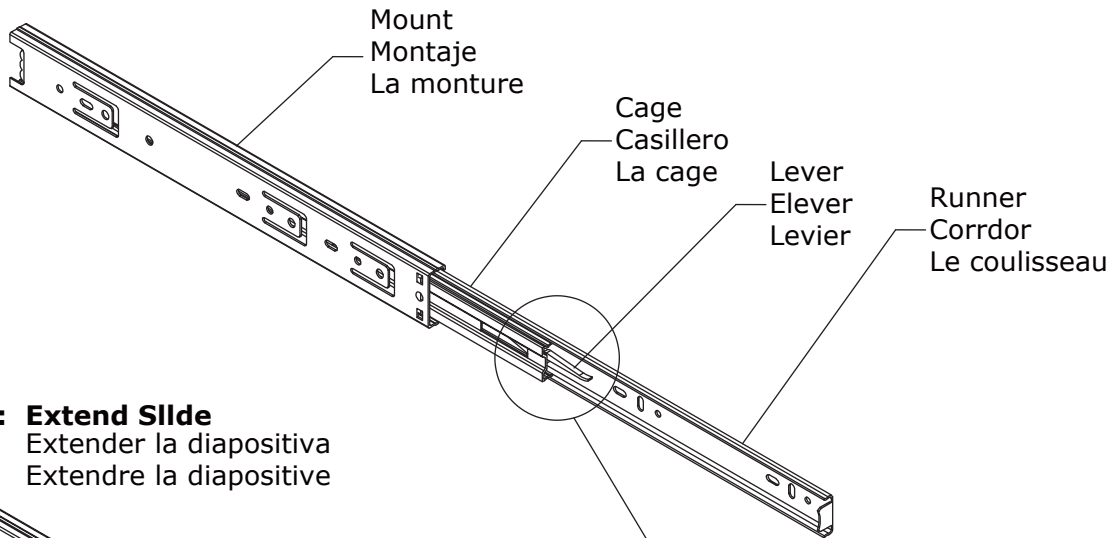
*This is a permanent label.
Do not remove!*



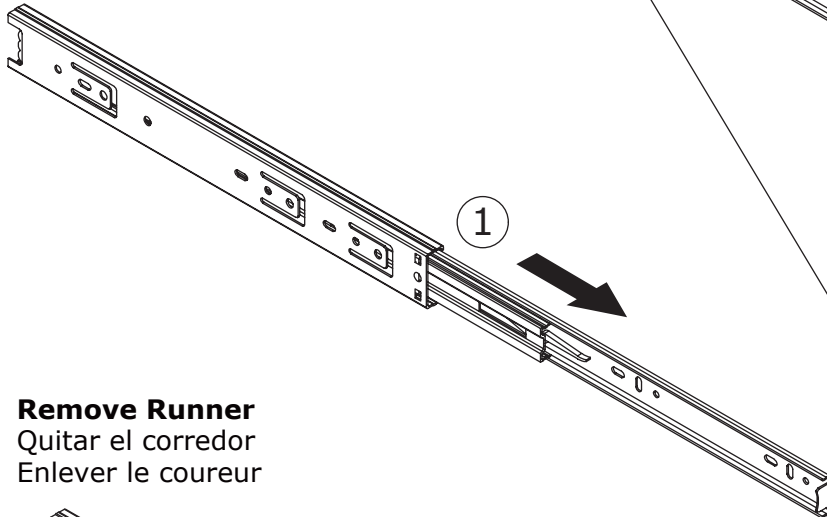
Slides Must Be Separated Before Assembly. After Separated, Set Aside Until Needed for Assembly.

Las diapositivas deben separarse antes del montaje.
Después de la separación, déjelo a un lado hasta que sea necesario.

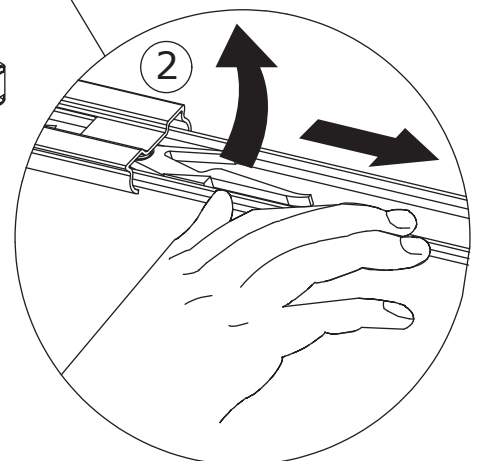
Les glissières doivent être séparées avant l'assemblage.
Après la séparation, mettez de côté jusqu'au moment de l'assemblage.



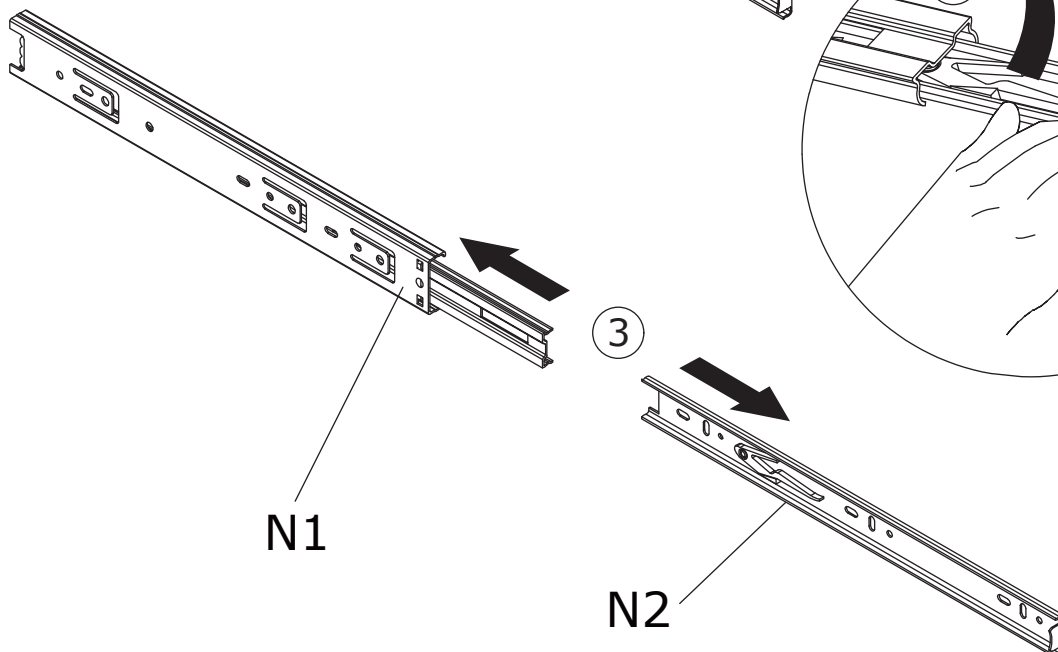
STEP 1: Extend Slide
Extender la diapositiva
Extendre la diapositive



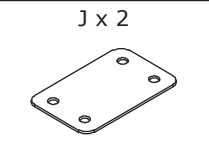
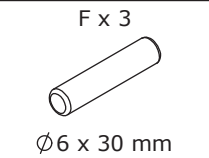
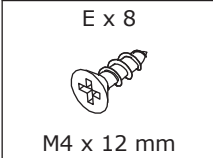
STEP 2: Push Lever UP
Empujar hacia arriba
Lever le levier



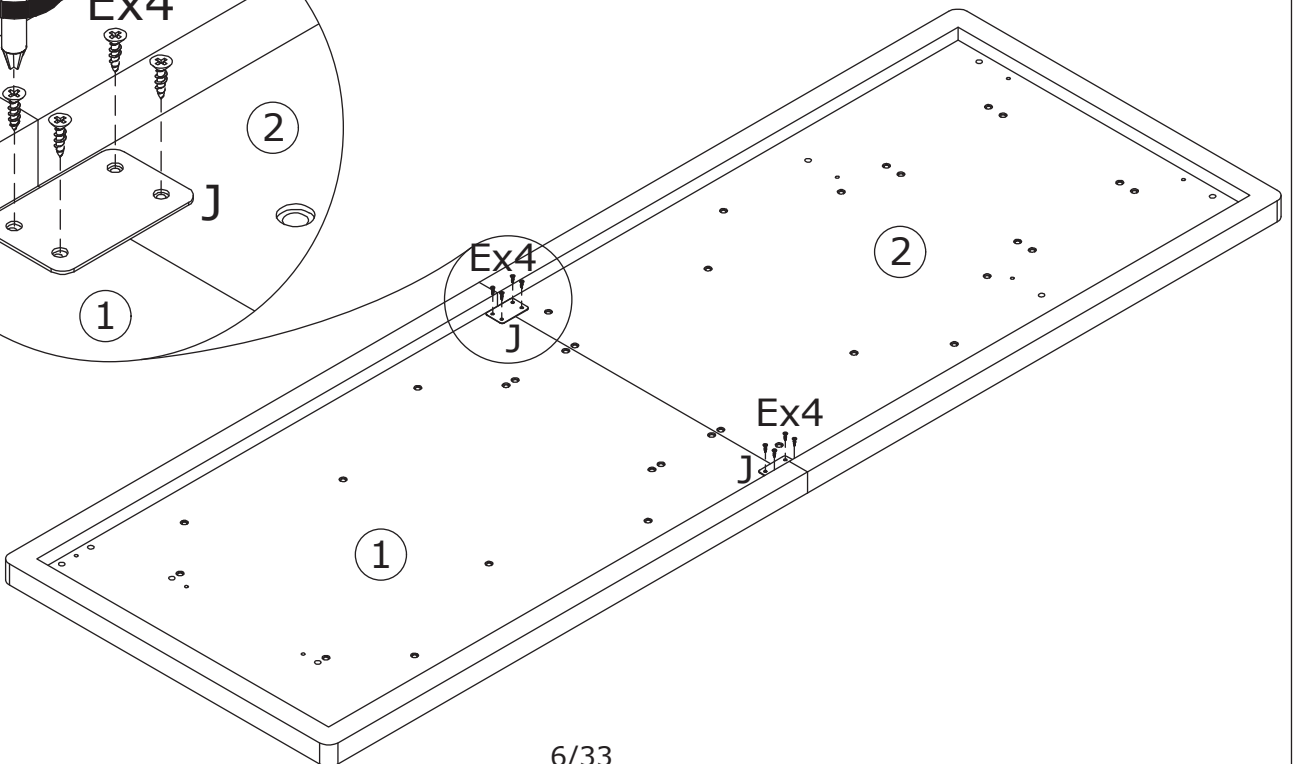
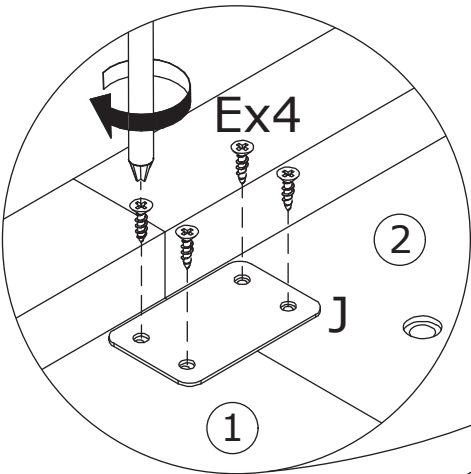
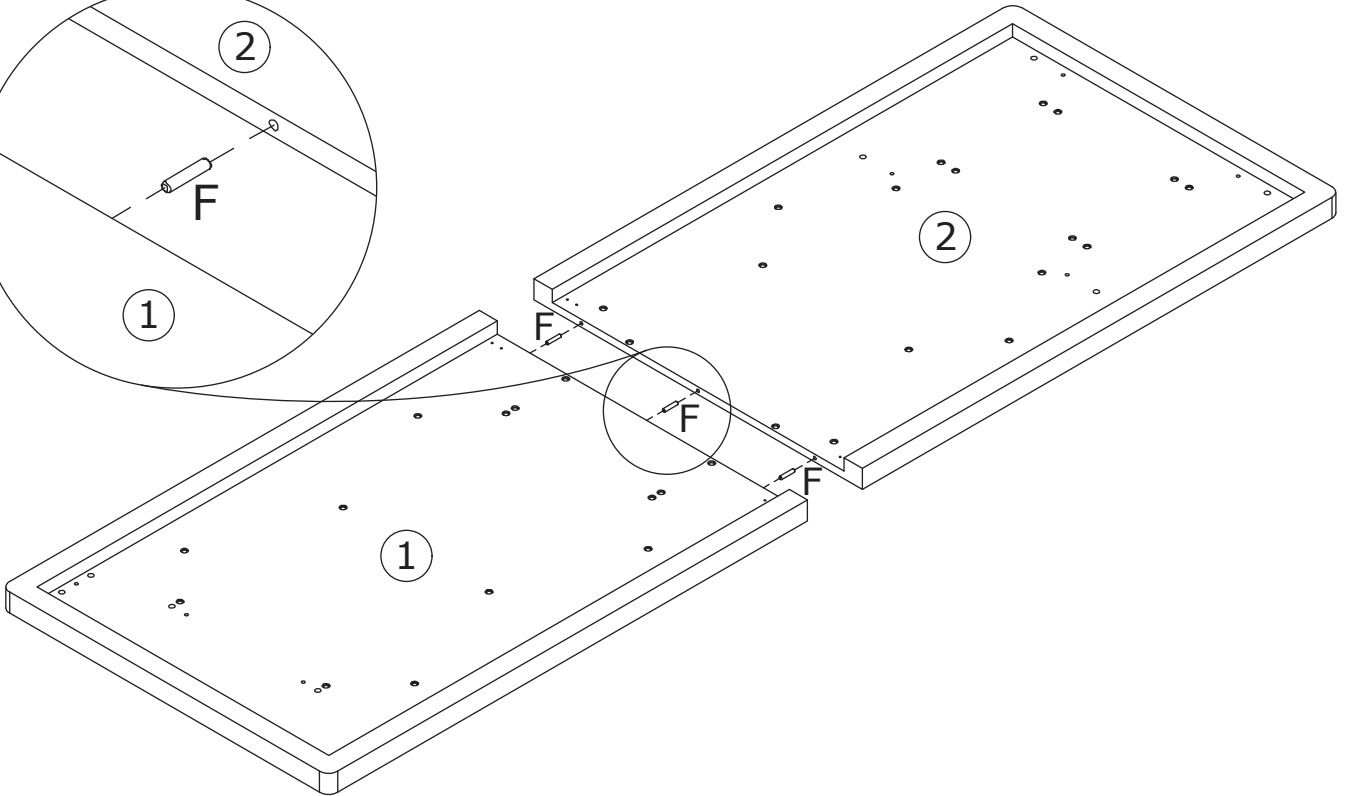
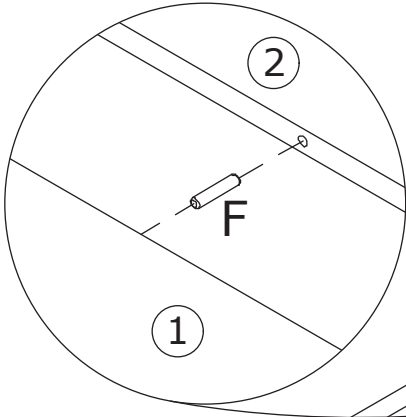
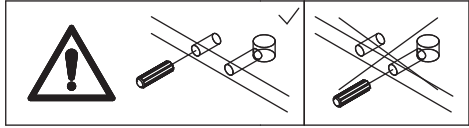
STEP 3: Remove Runner
Quitar el corredor
Enlever le coureur



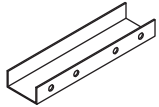




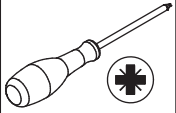
1



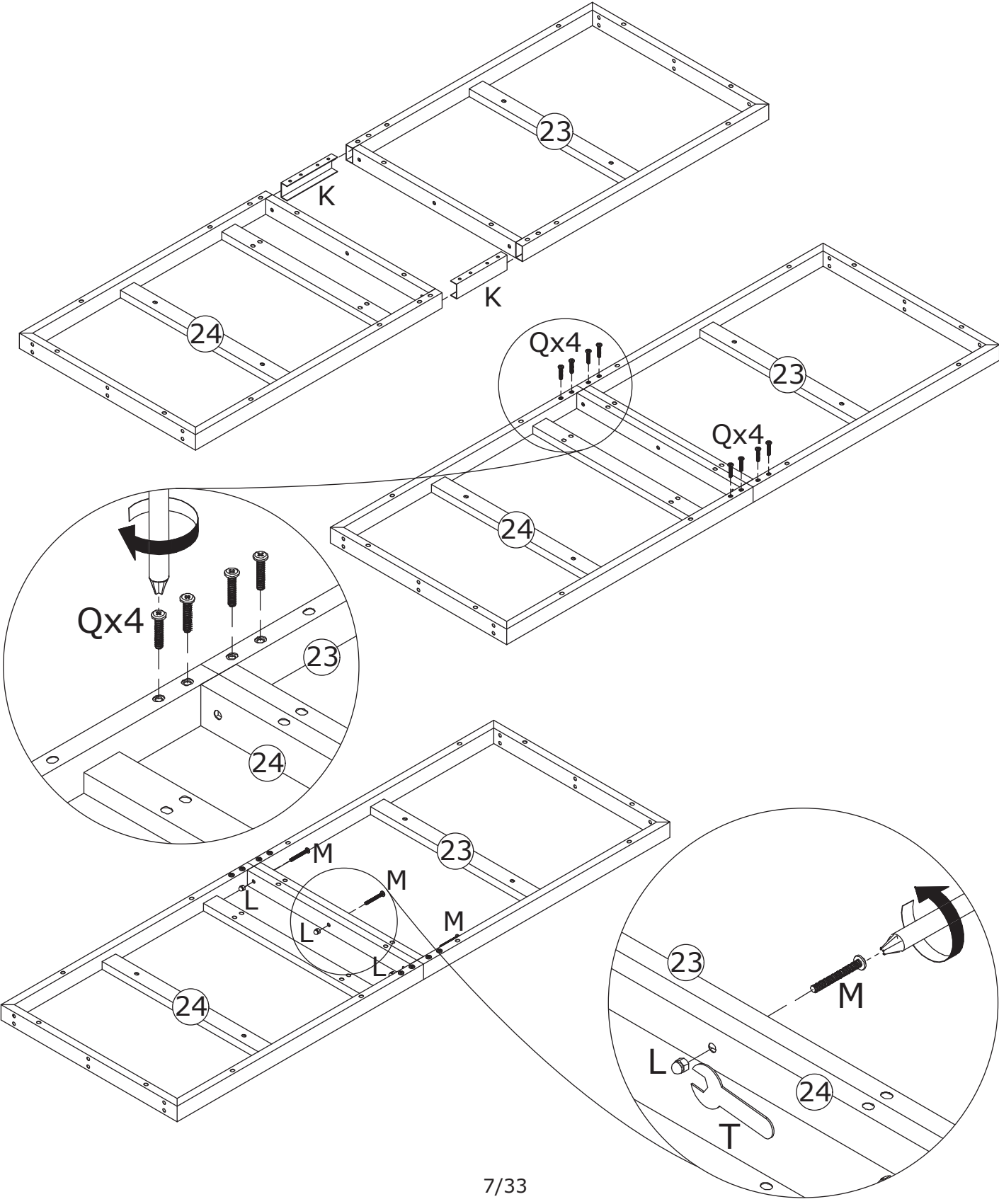
Connect boards 1 and 2 with dowel F, then secure metal plate J to boards 1 and 2 using screw E.



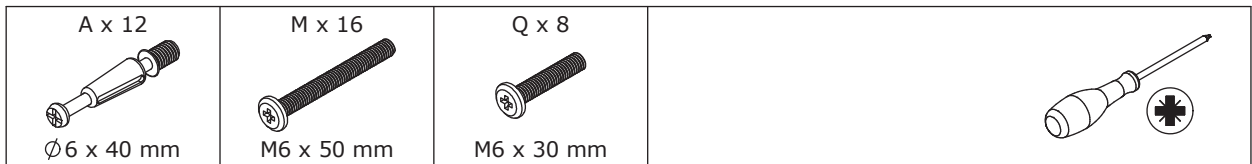
2

K x 2 	L x 3 	M x 3  M6 x 50 mm	Q x 8  M6 x 30 mm	T x 1 	
--	--	--	---	--	---

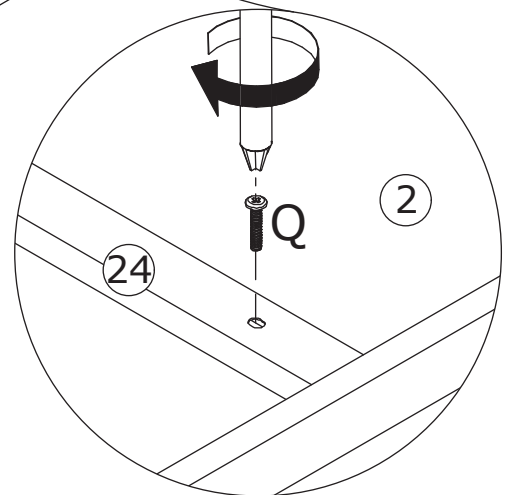
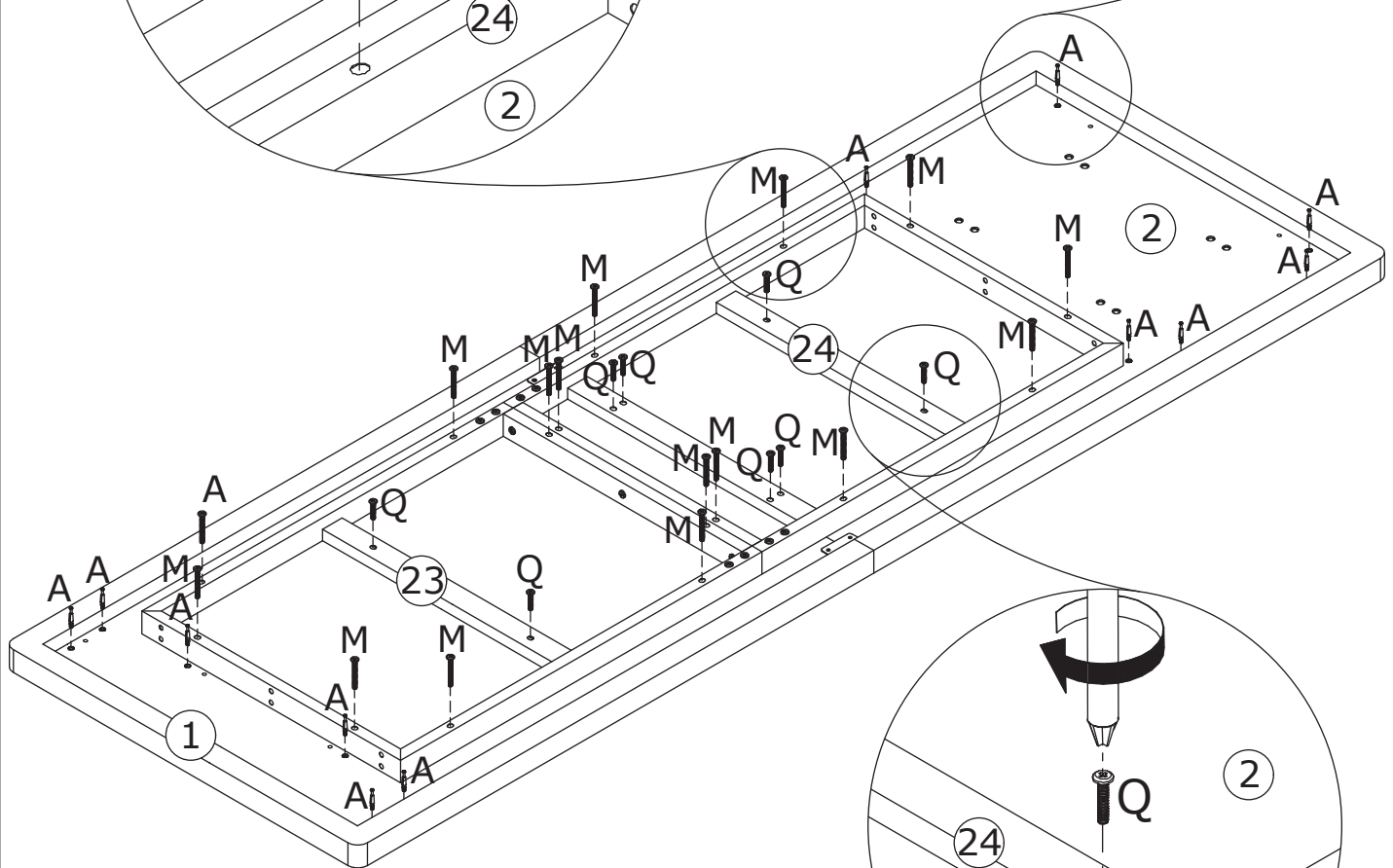
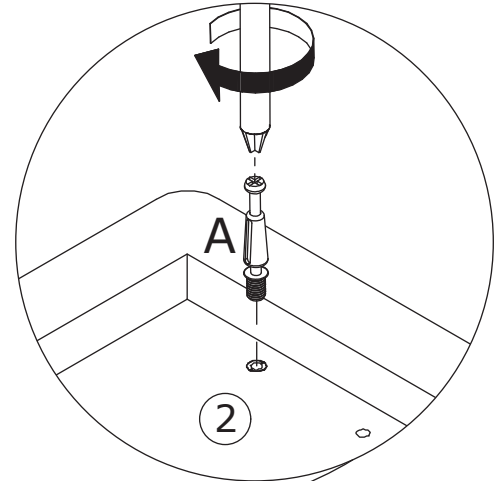
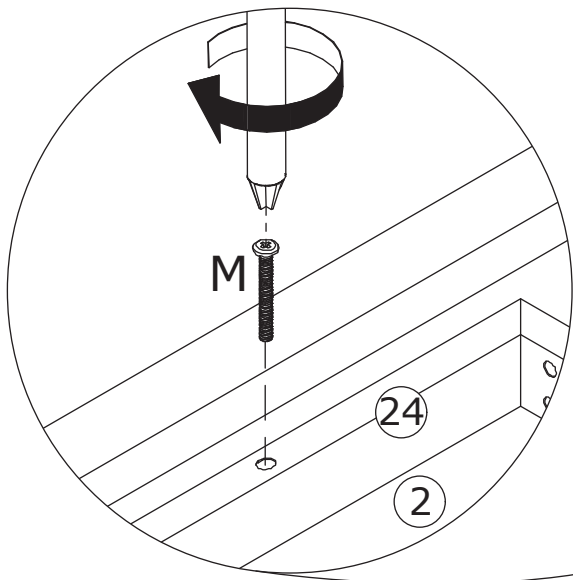
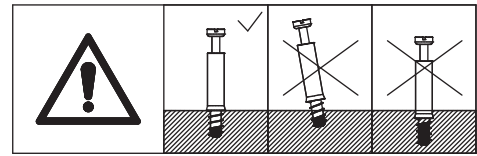
Secure metal part K to metal frame 24 and 23 with screw Q.
Connect metal frame 24 and 23 and secure with screw M and lock nut L.



3

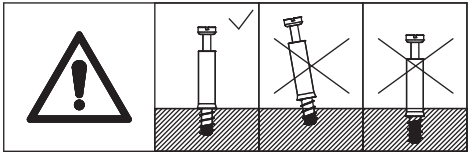


Fix metal frames 23 and 24 to boards 1 and 2 using screws M and Q.
Install threaded rod A onto boards 1 and 2.

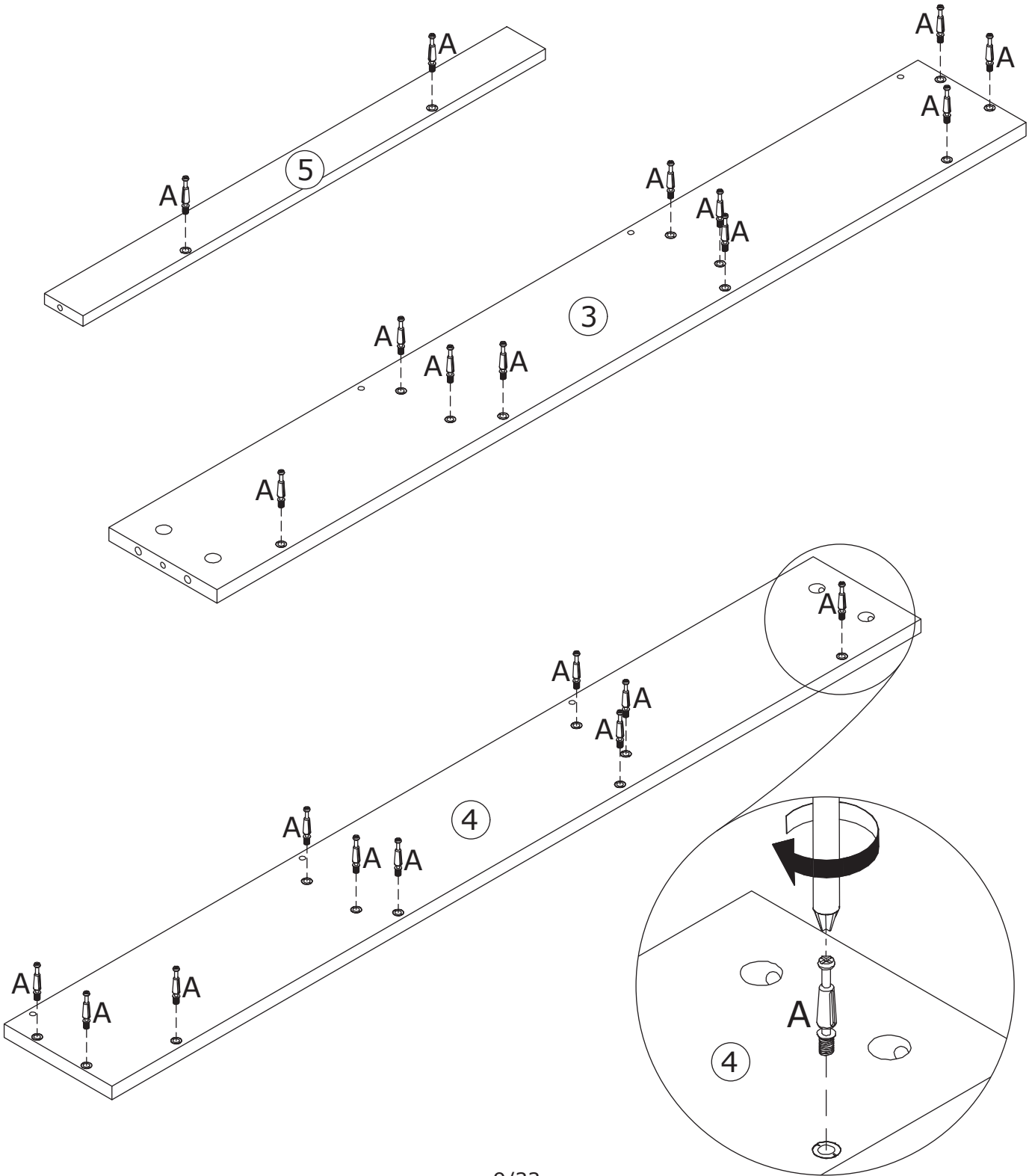


4

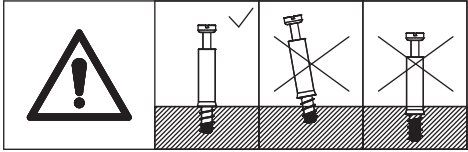
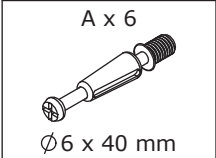
A x 22
Ø6 x 40 mm



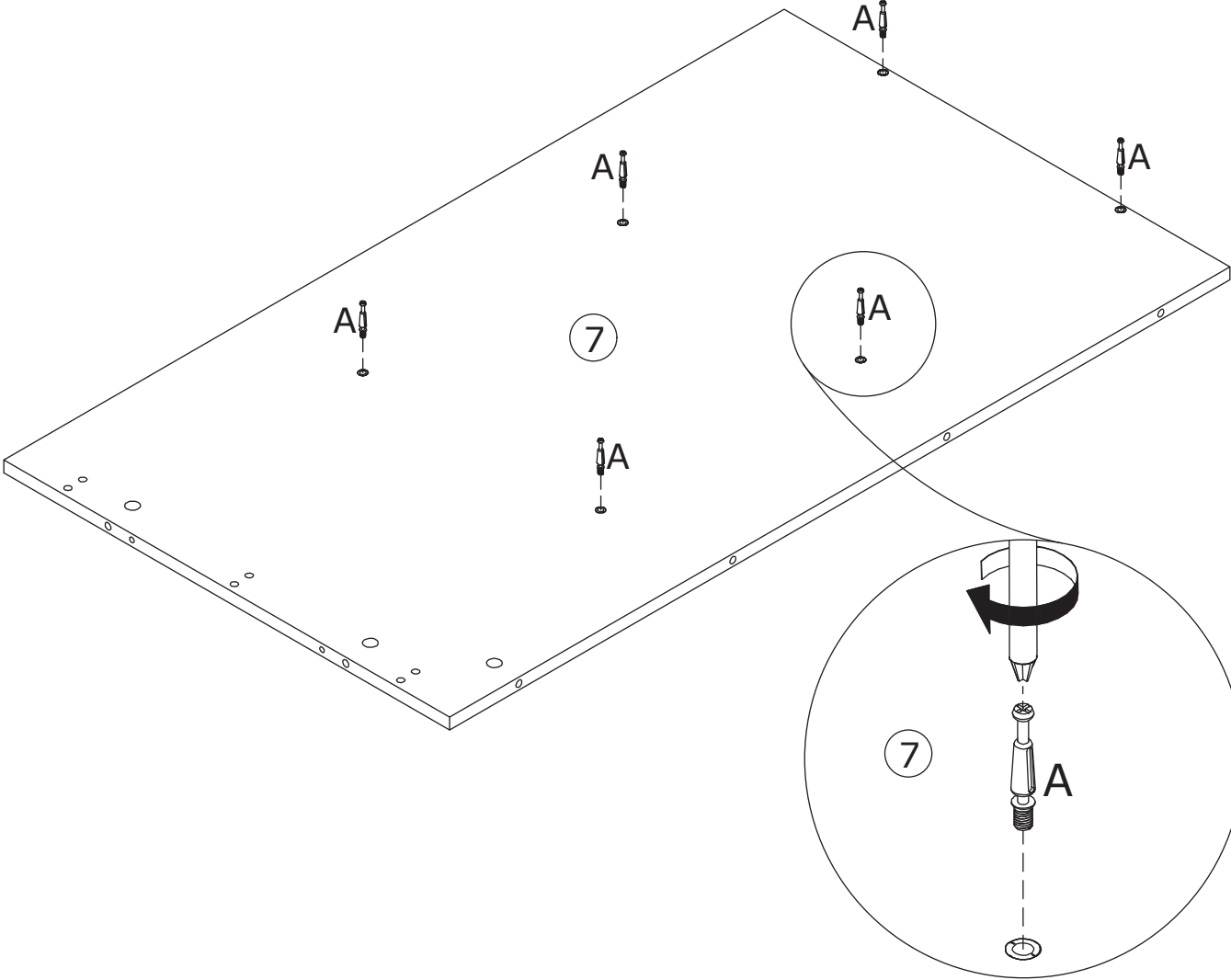
Install threaded rod A onto boards 3, 4, and 5.



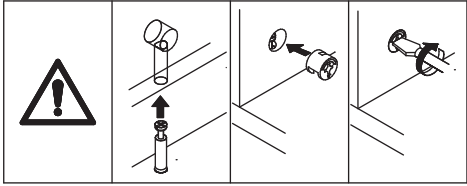
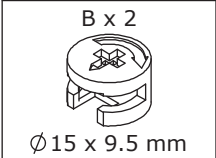
5



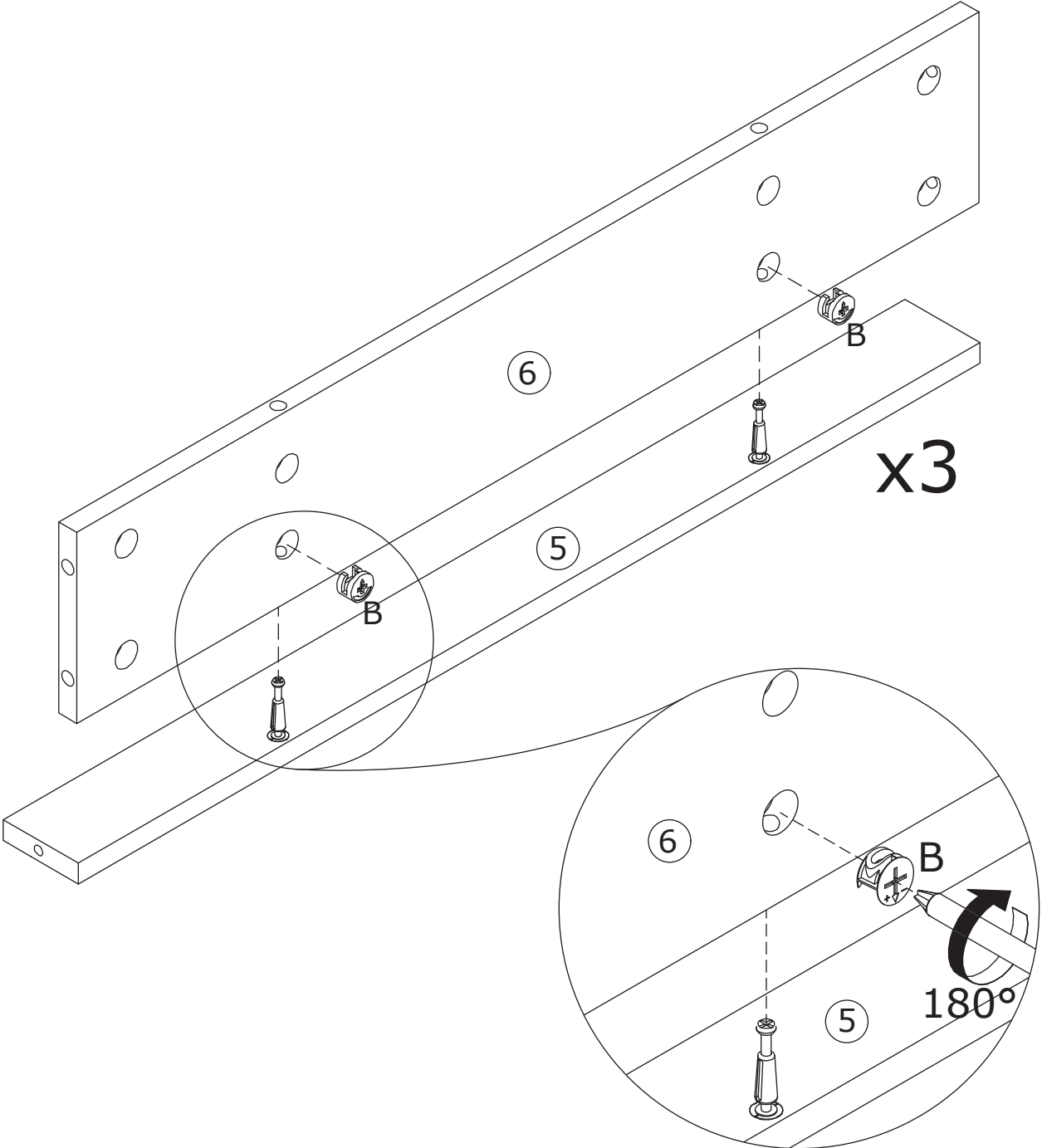
Install threaded rod A onto board 7.



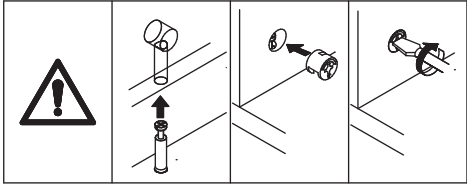
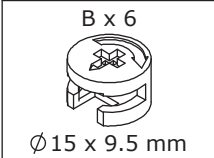
6



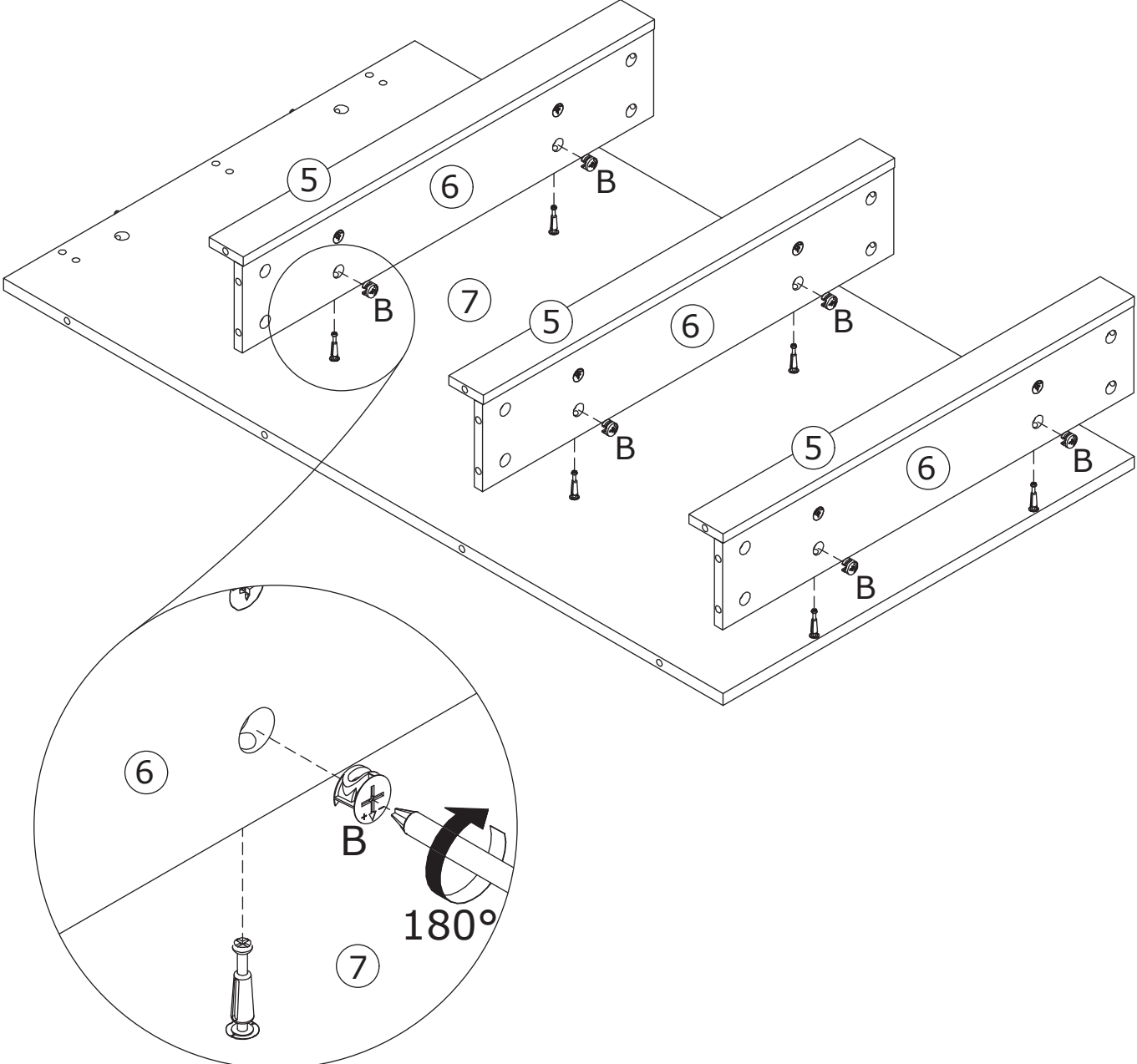
Connect boards 5 and 6, insert cam lock B and tighten.



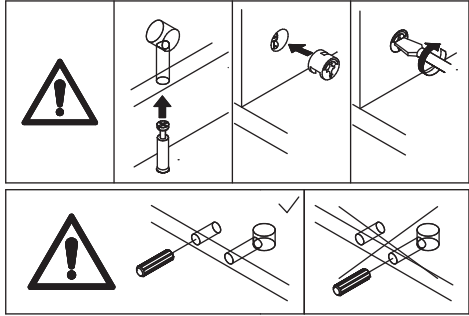
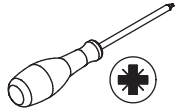
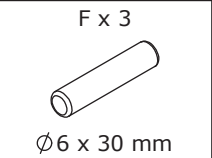
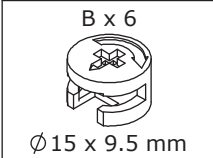
7



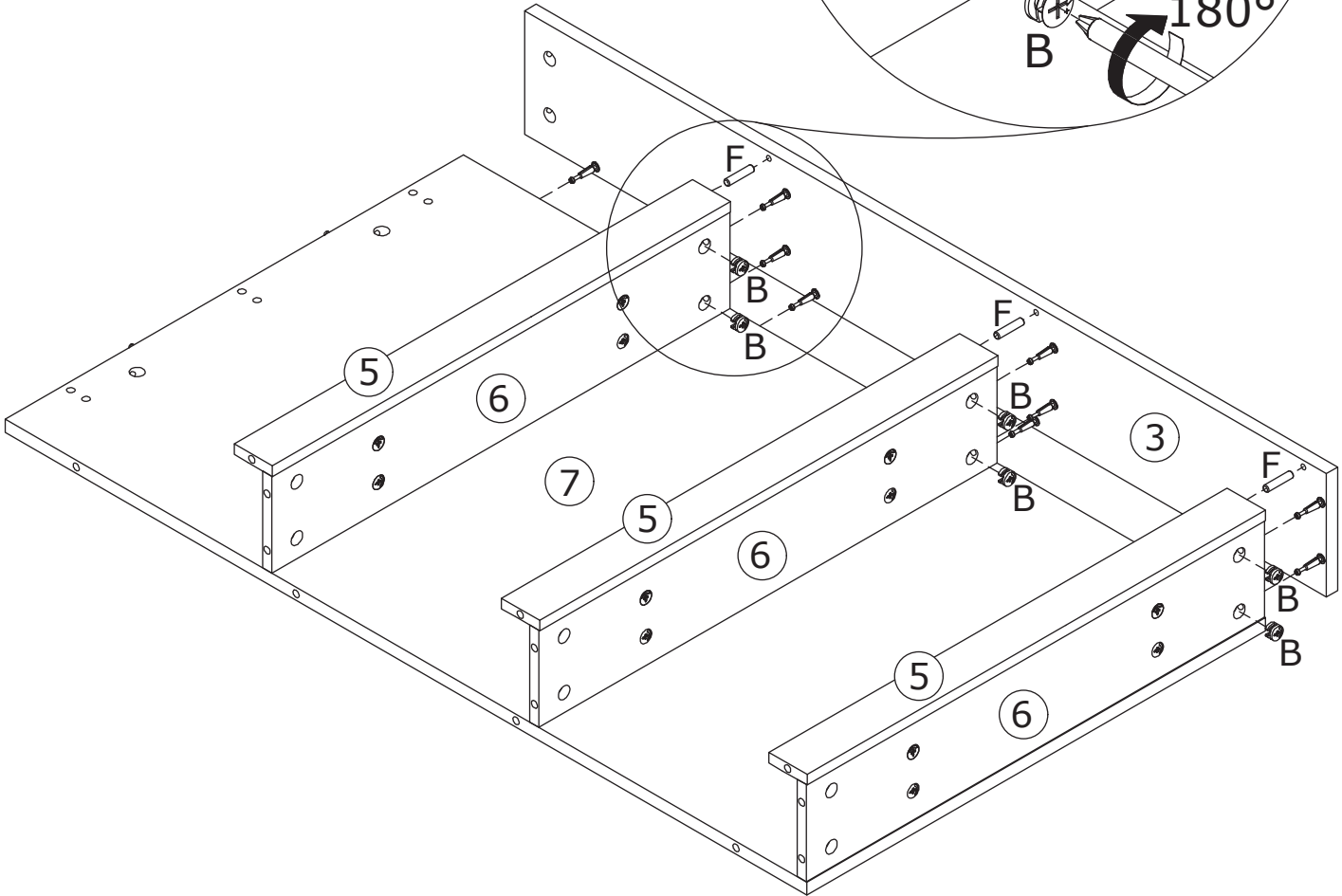
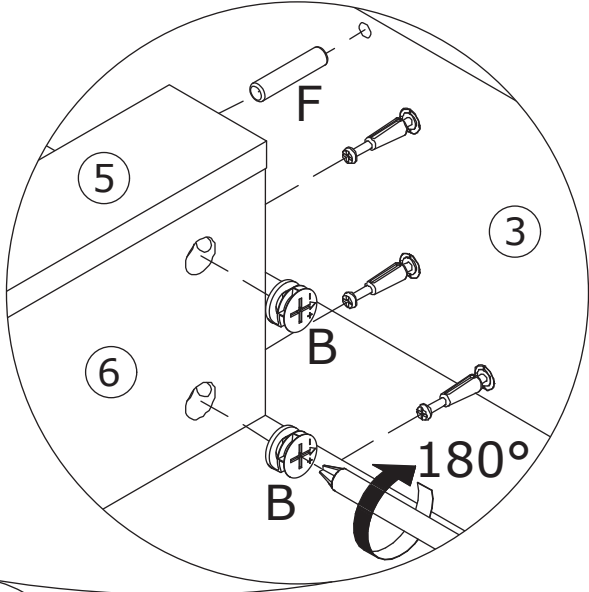
Connect boards 6 and 7, insert cam lock B and tighten.



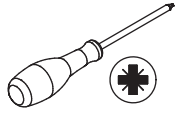
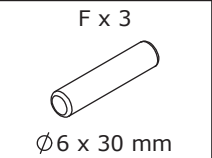
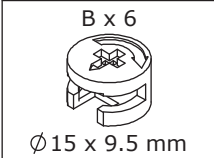
8



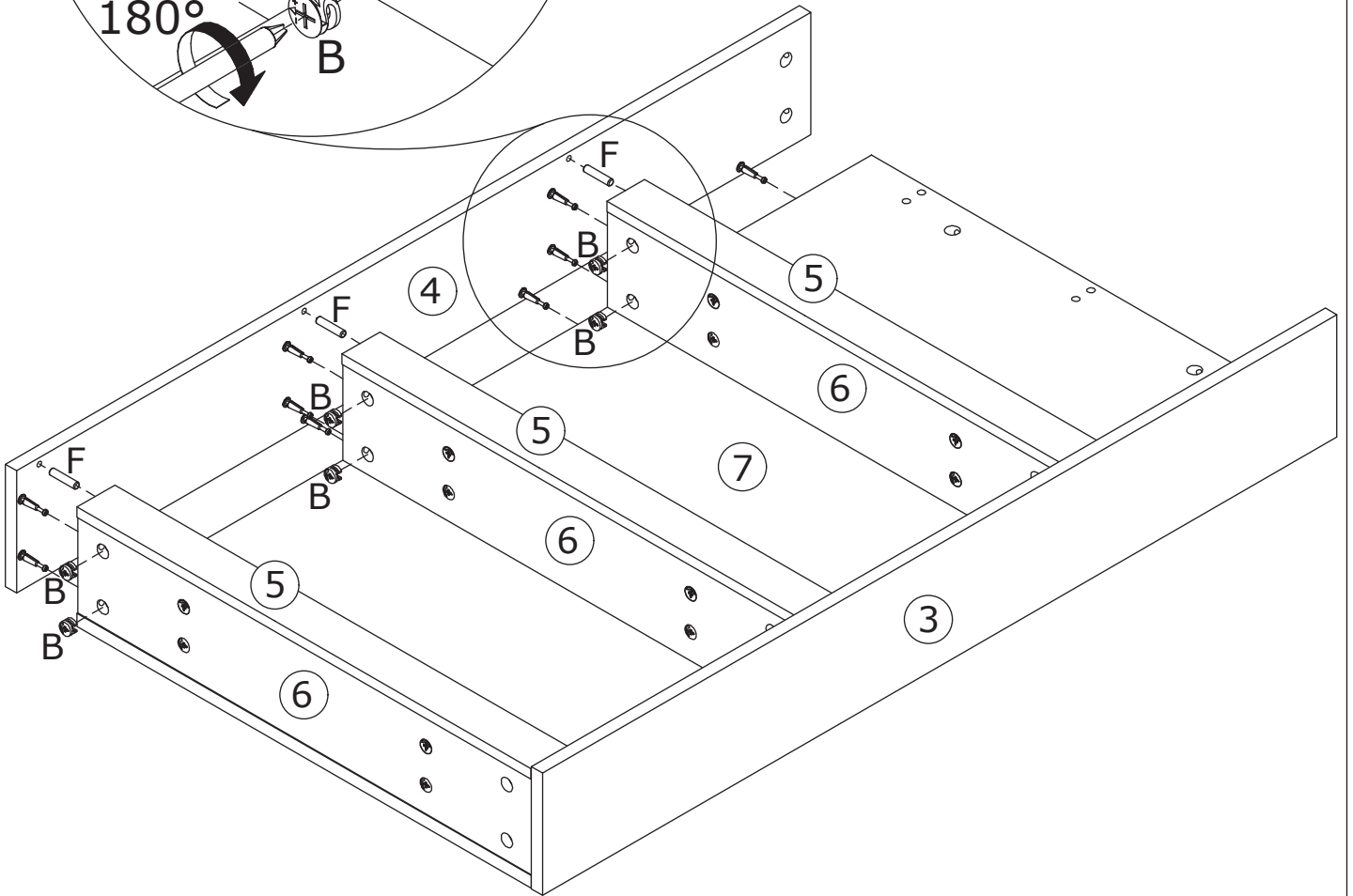
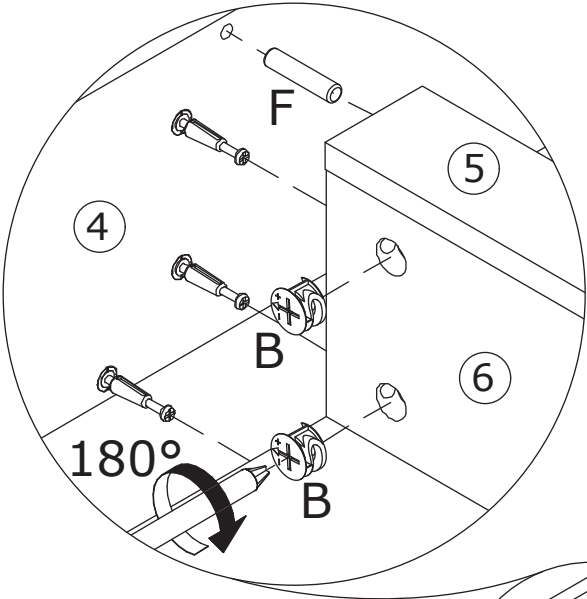
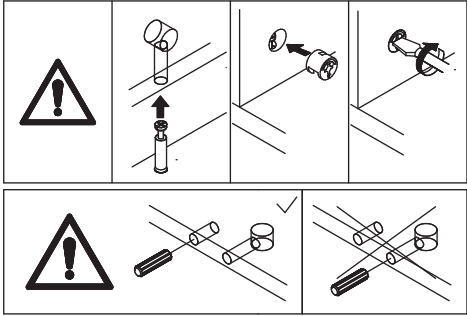
Connect boards 3, 5, and 6 with dowel F, insert cam lock B and tighten.



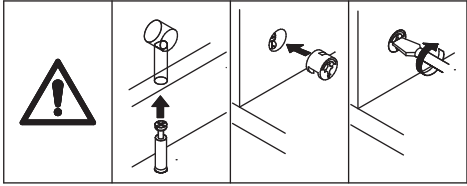
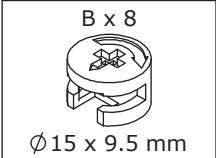
9



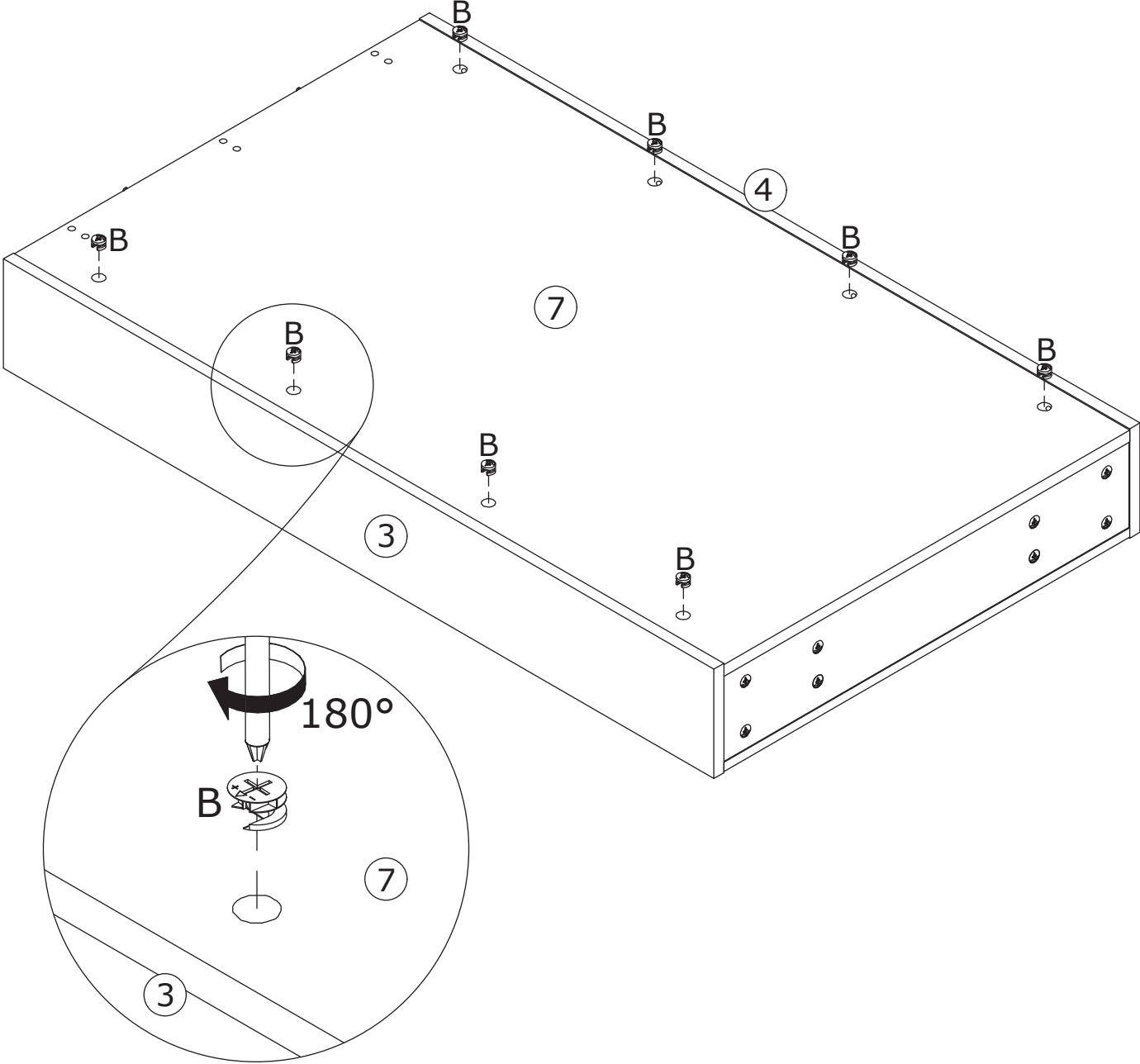
Connect boards 4, 5, and 6 with dowel F, insert cam lock B and tighten.



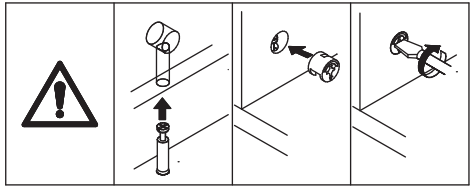
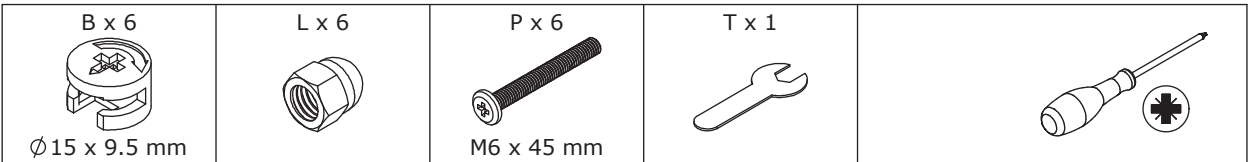
10



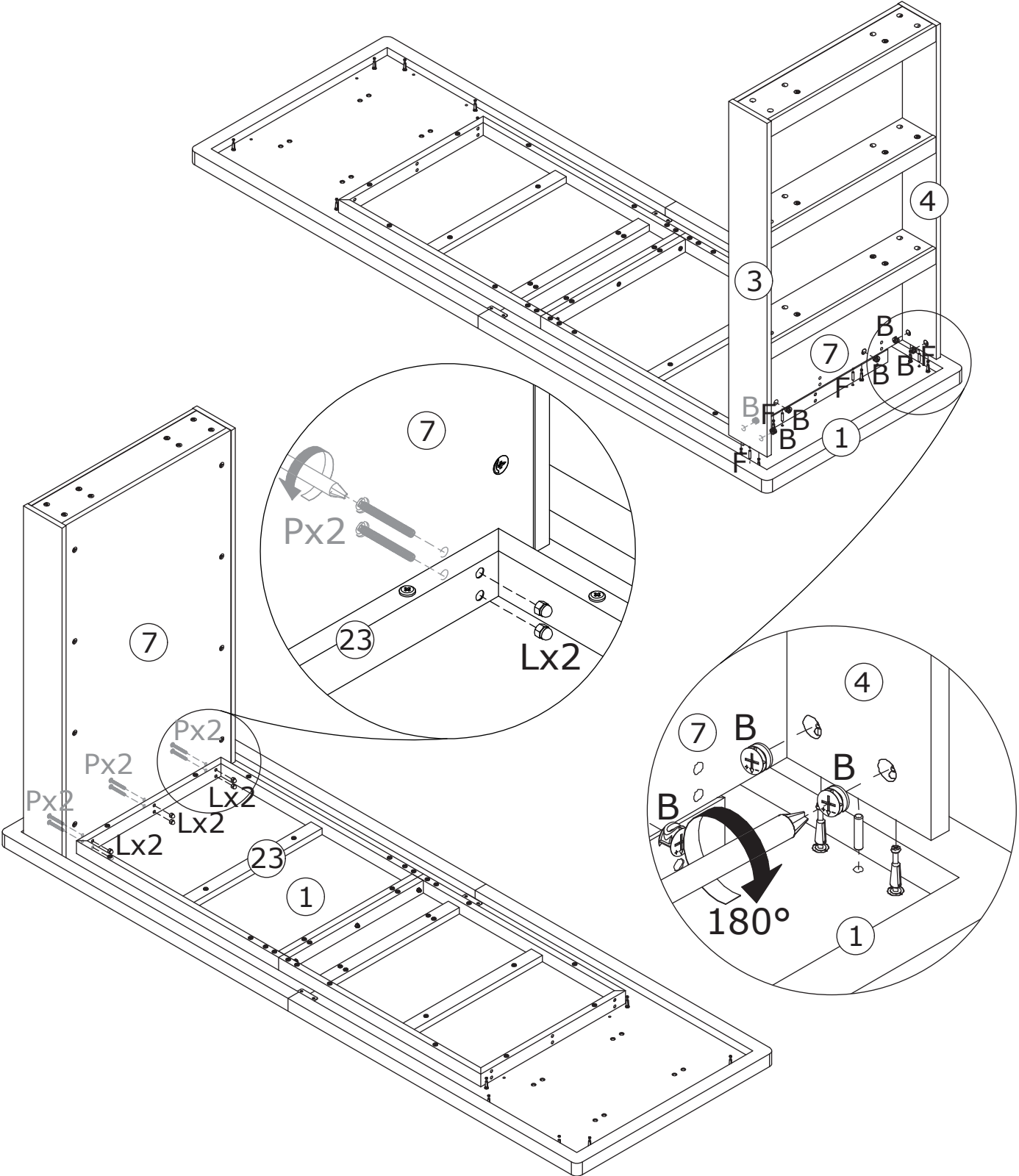
Insert cam lock B into pre-drilled hole on board 7 and tighten.





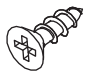
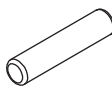
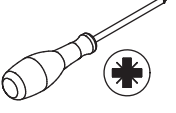
11



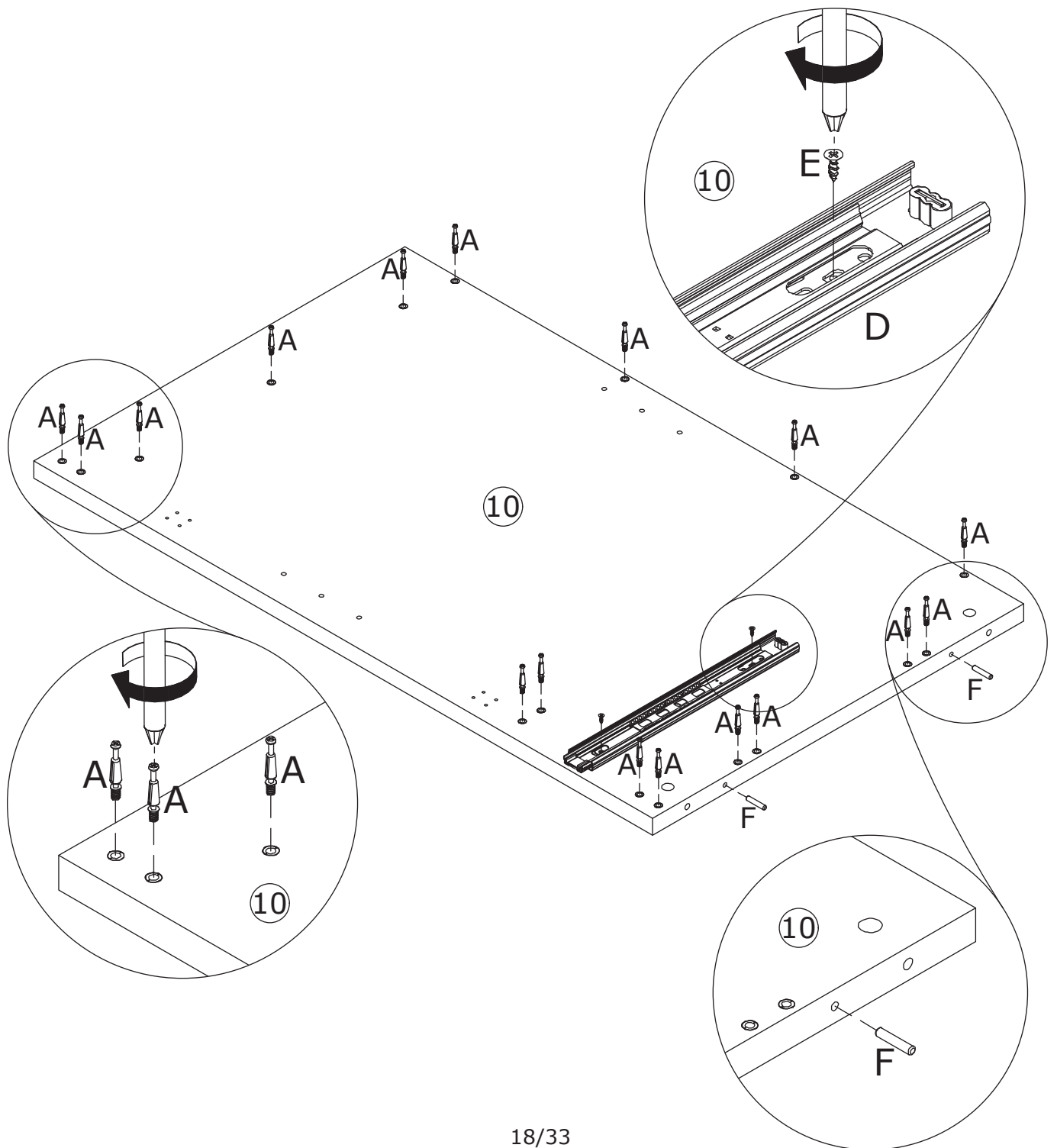
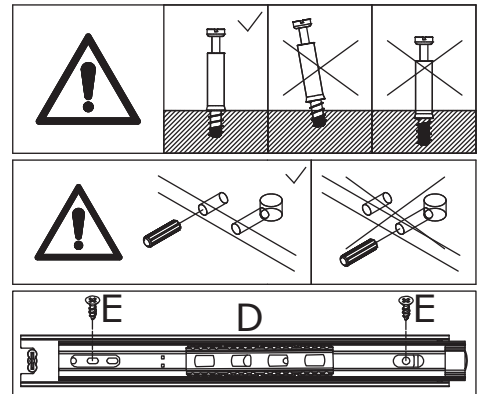
Connect boards 1, 3, 4, and 7 with dowel F, insert cam lock B and tighten.
Secure board 7 to metal frame 23 with screw P and lock nut L.



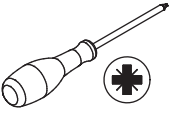
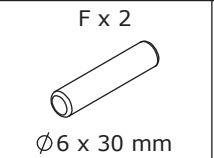
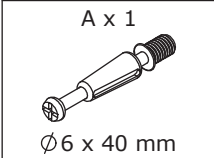
13

<p>A x 17  Ø6 x 40 mm</p>	<p>D x 1  350 mm</p>	<p>E x 2  M4 x 12 mm</p>	<p>F x 2  Ø6 x 30 mm</p>	
--	---	---	--	---

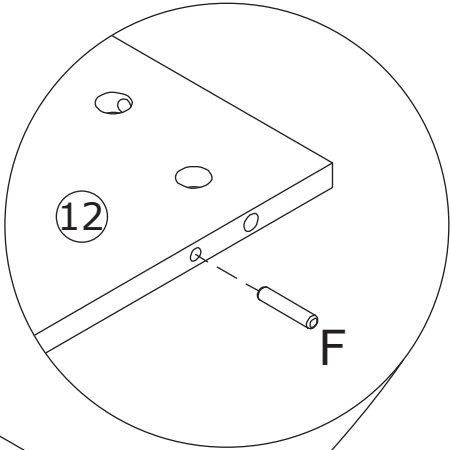
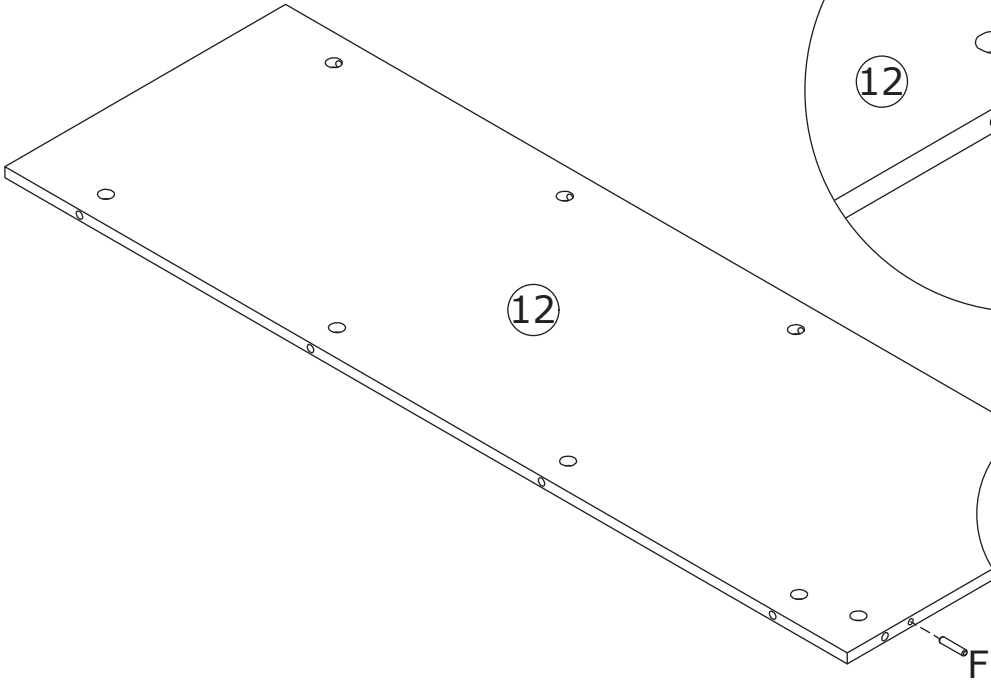
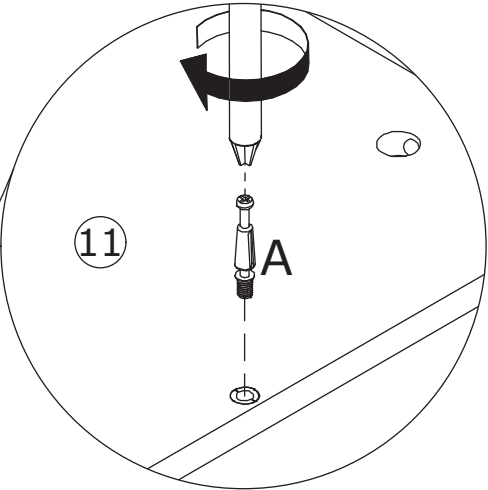
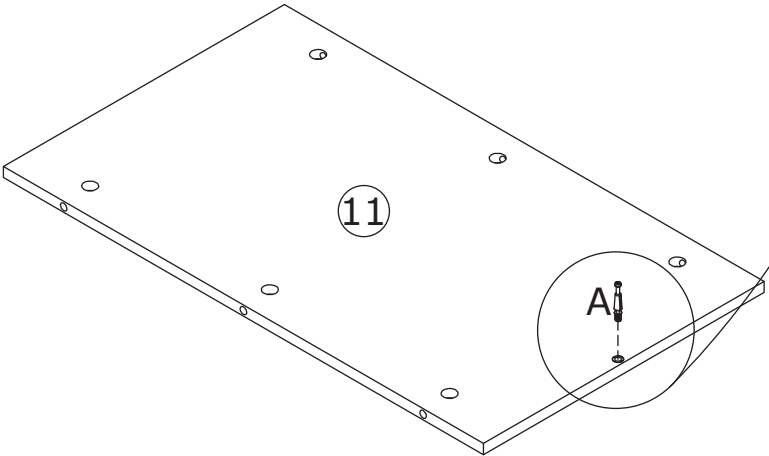
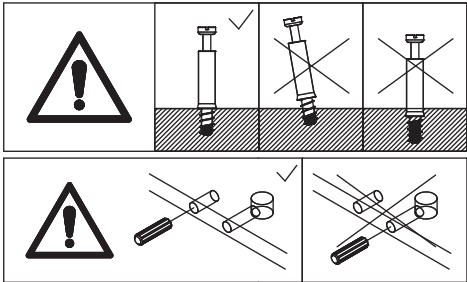
Secure rail D (D1 section) to board 10 with screw E.
Install threaded rod A and dowel F.



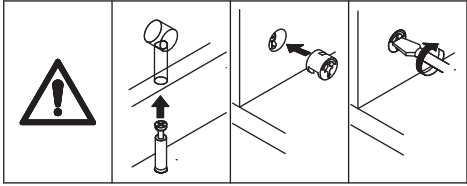
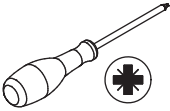
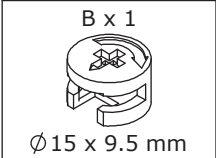
14



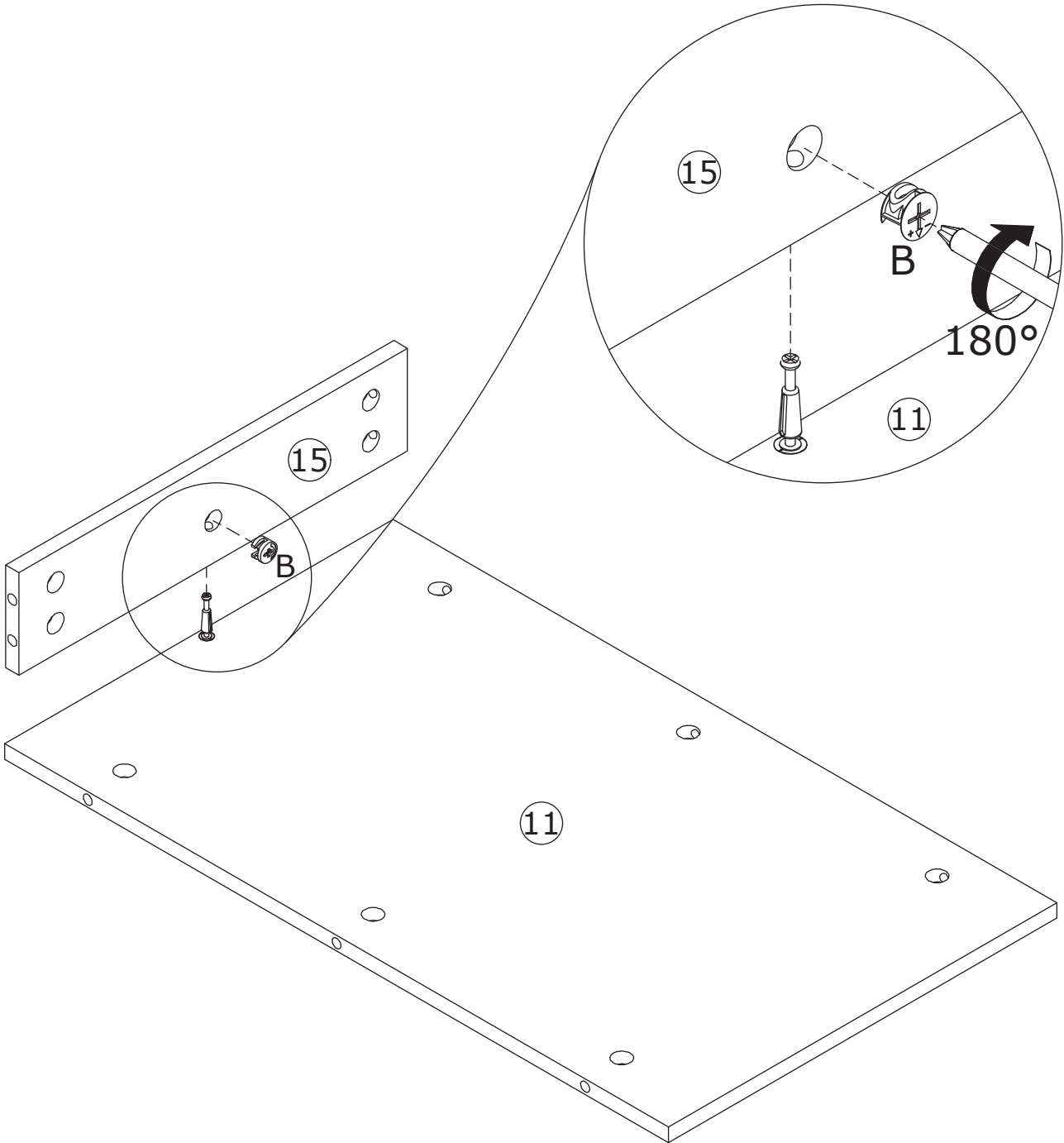
Install threaded rod A onto board 11.
Insert dowel F into pre-drilled holes
on board 12.



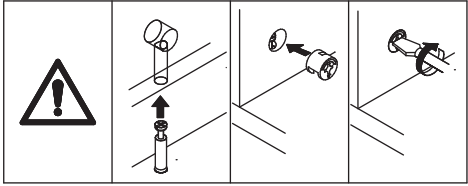
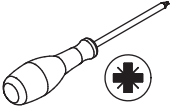
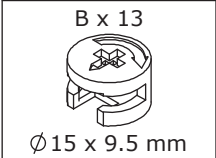
15



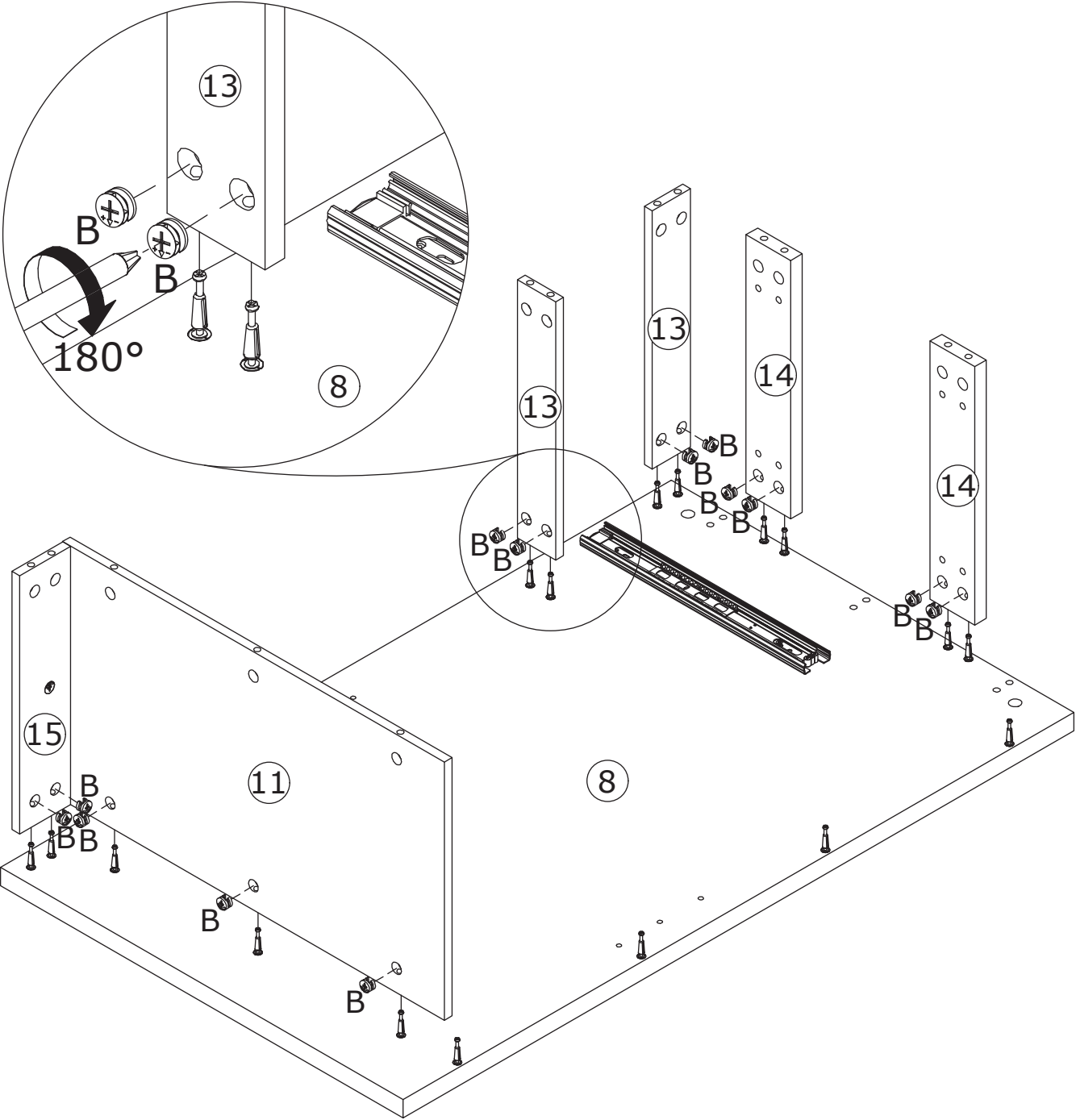
Connect boards 11 and 15, insert cam lock B and tighten.



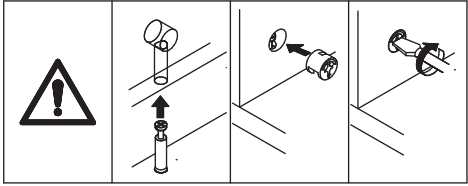
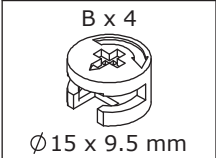
16



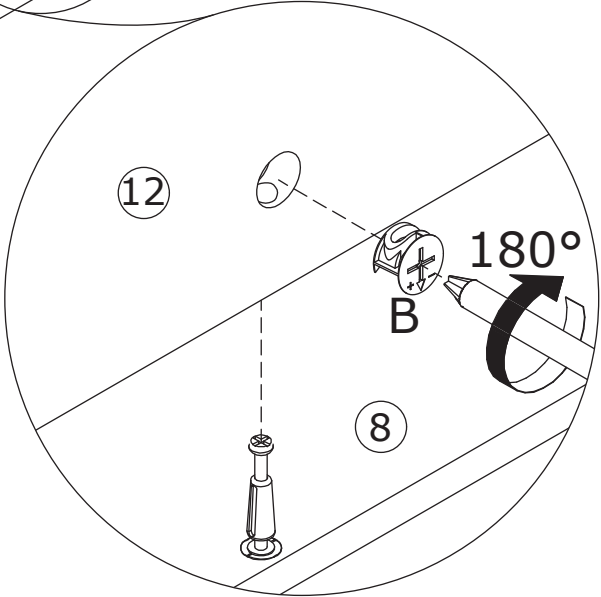
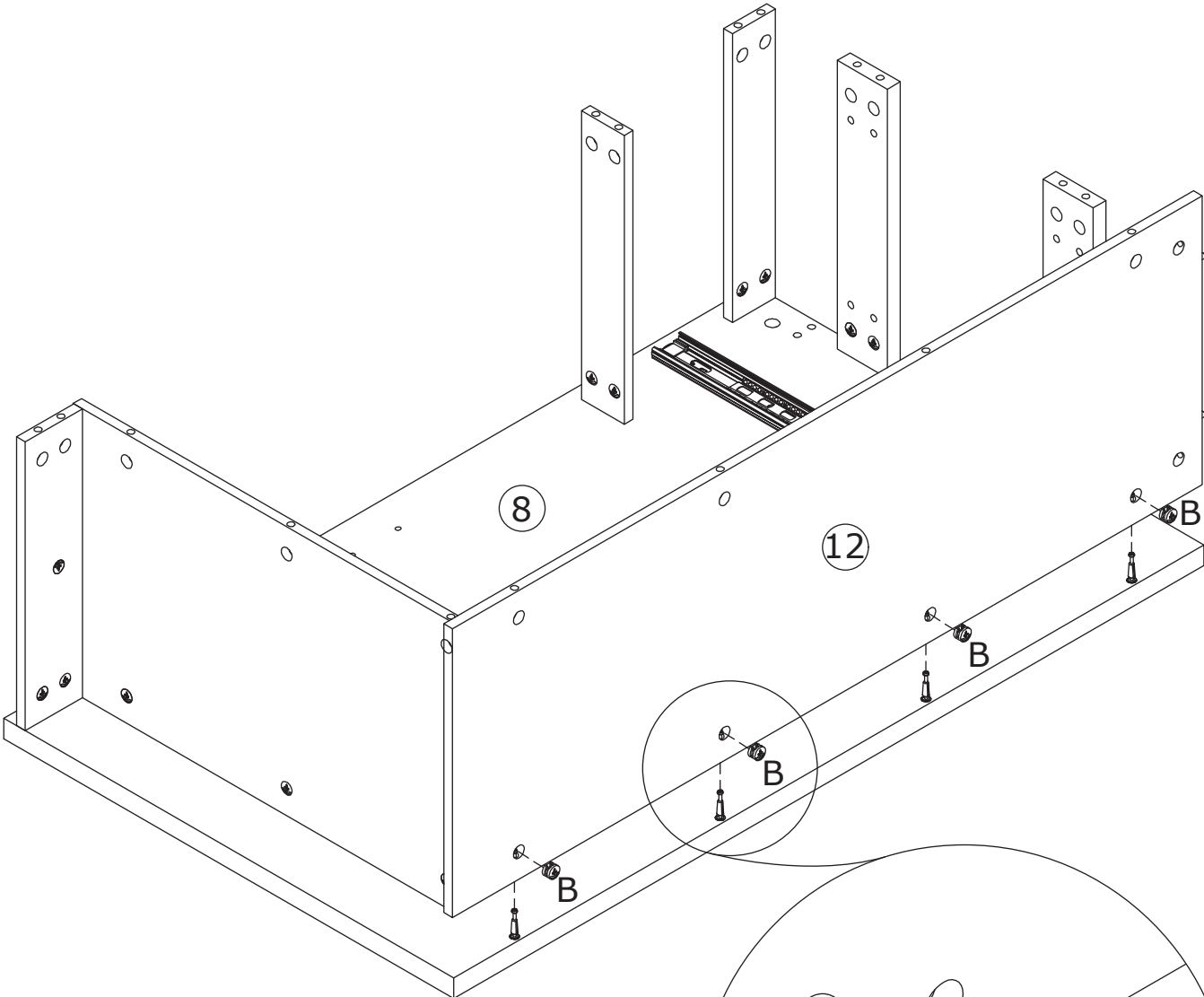
Connect boards 8, 11, 13, 14, and 15, insert cam lock B and tighten.



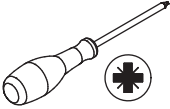
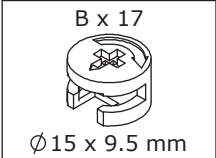
17



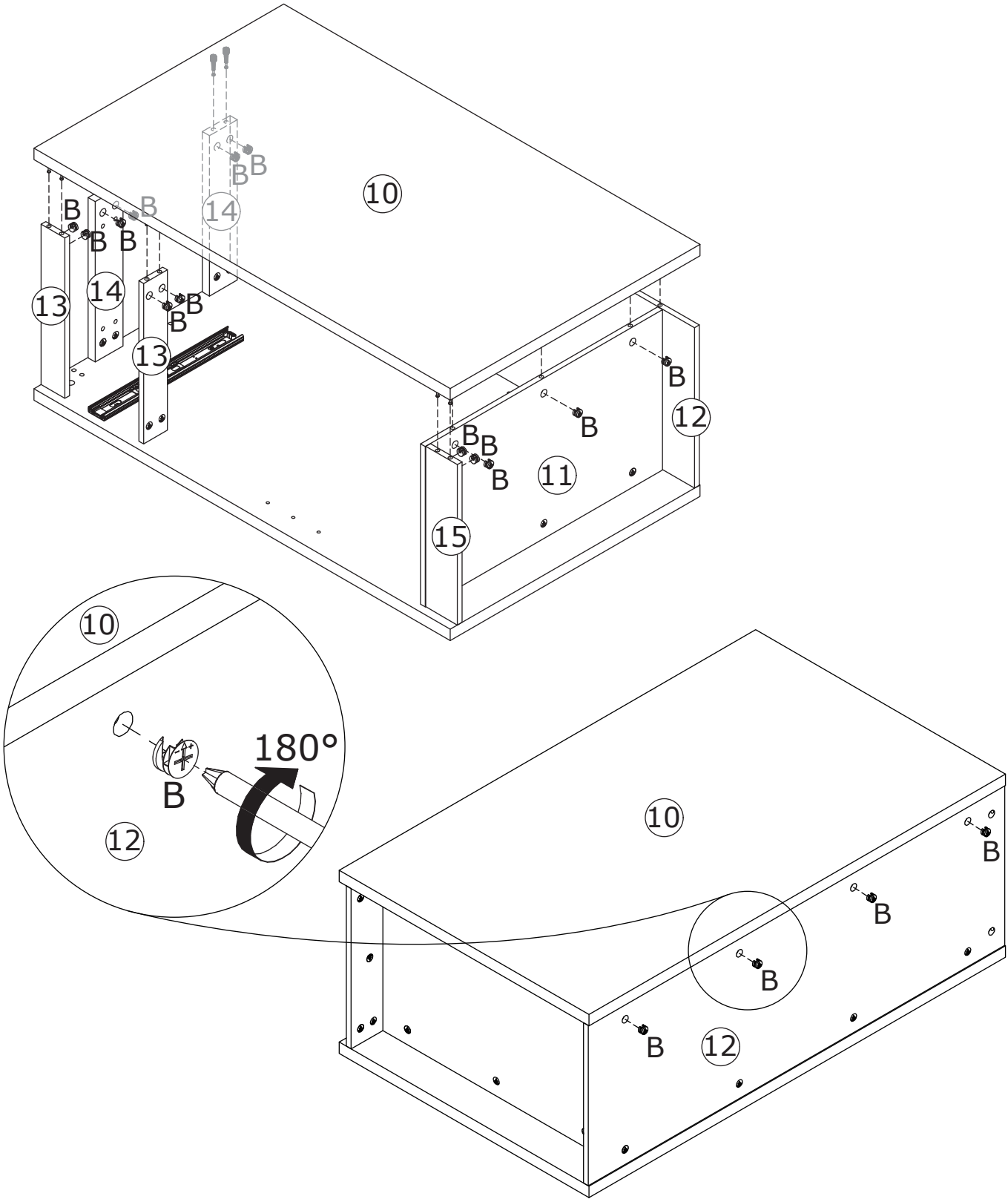
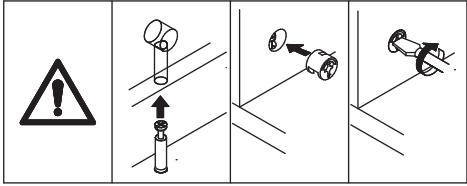
Connect boards 8 and 12, insert cam lock B and tighten.



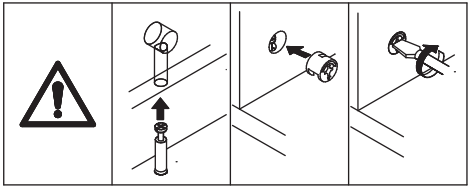
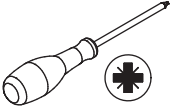
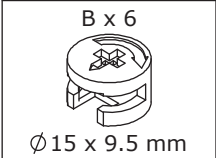
18



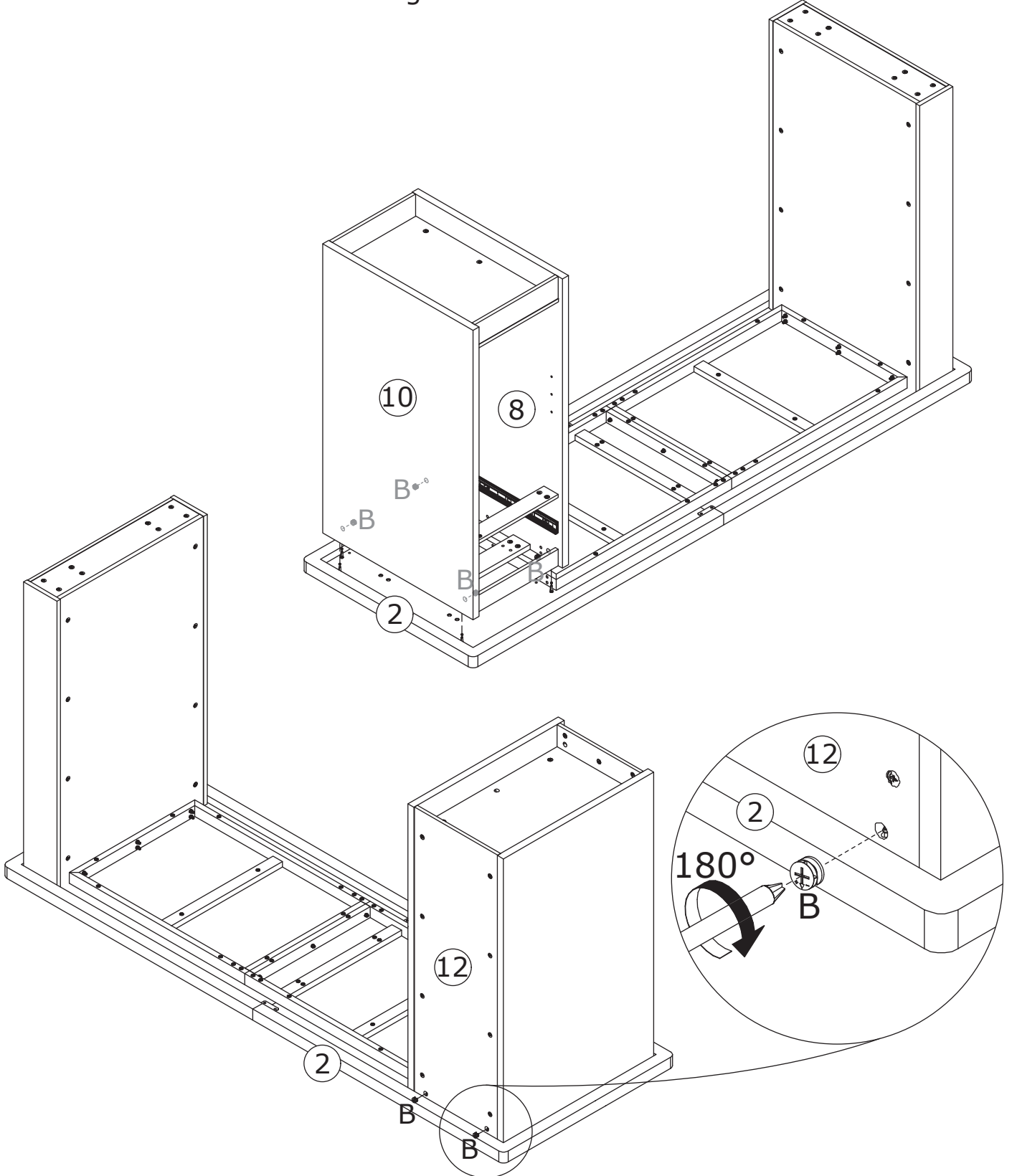
Connect board 10 to boards 11, 12, 13, 14, and 15, insert cam lock B and tighten.







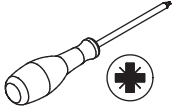
19



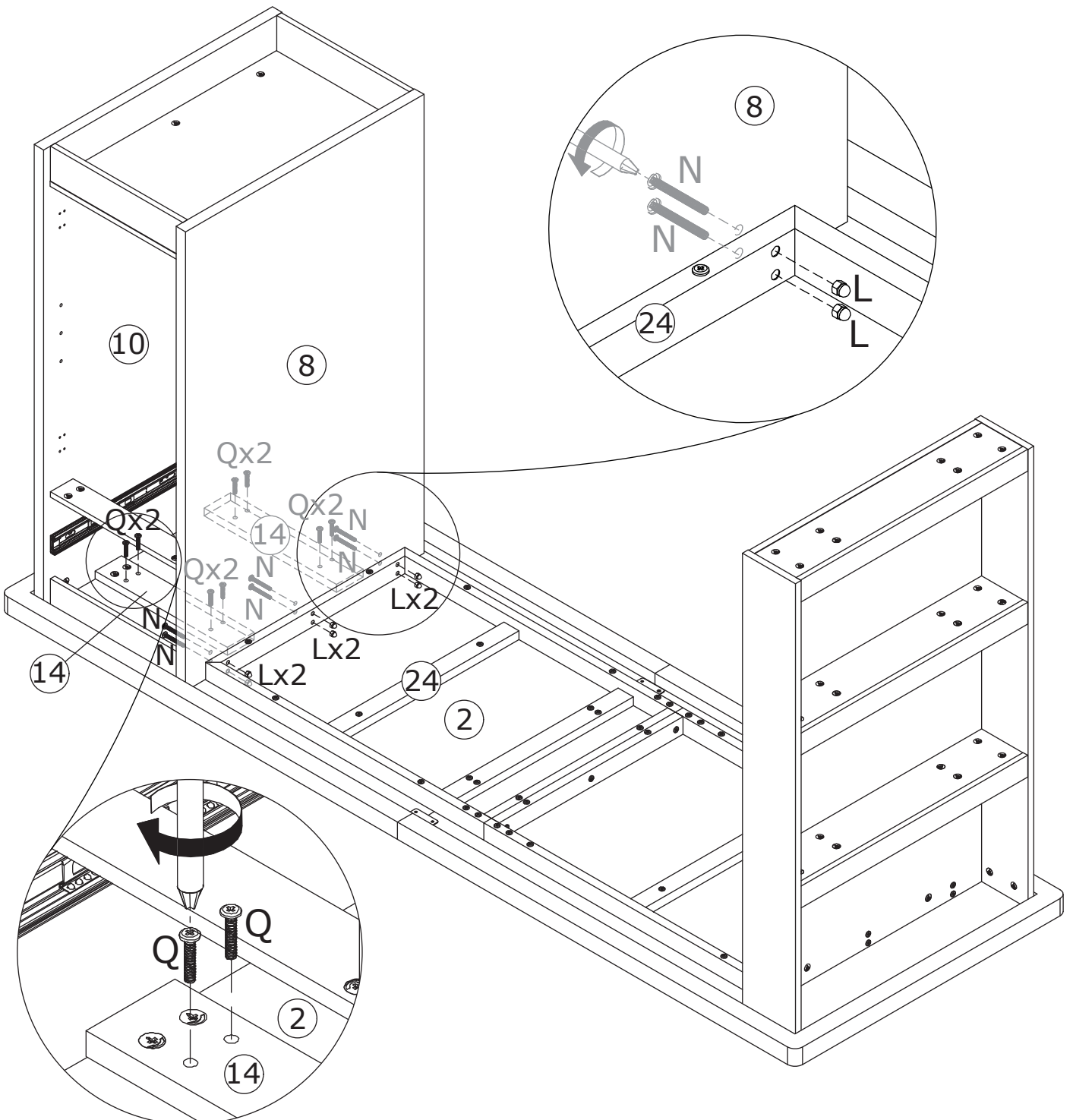
Connect boards 2, 8, 10, and 12,
insert cam lock B and tighten.



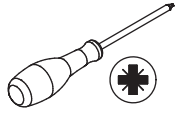
20

<p>L x 6</p> 	<p>N x 6</p> <p>M6 x 55 mm</p> 	<p>Q x 8</p> <p>M6 x 30 mm</p> 	<p>T x 1</p> 	
--	--	--	---	---

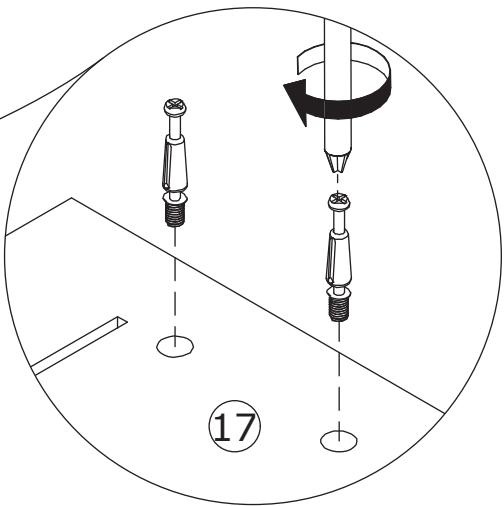
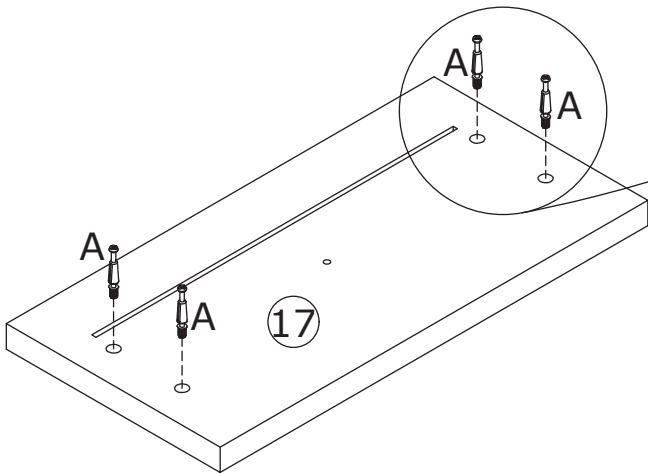
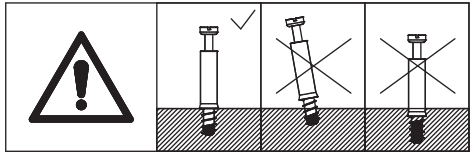
Secure board 14 to board 2 with screw Q.
Fasten board 8 to metal frame 24 with screw N
and lock nut L.



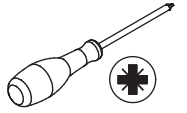
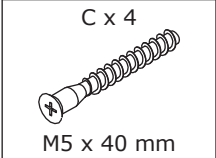
21



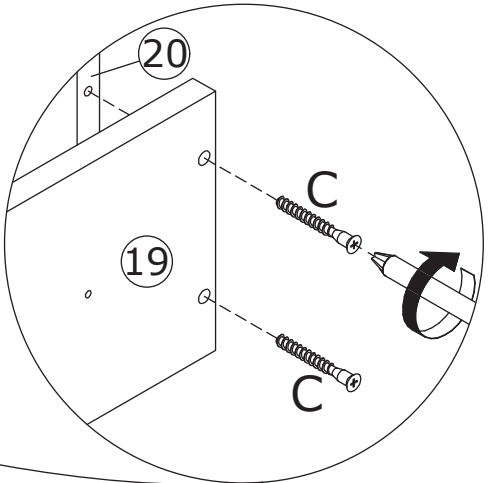
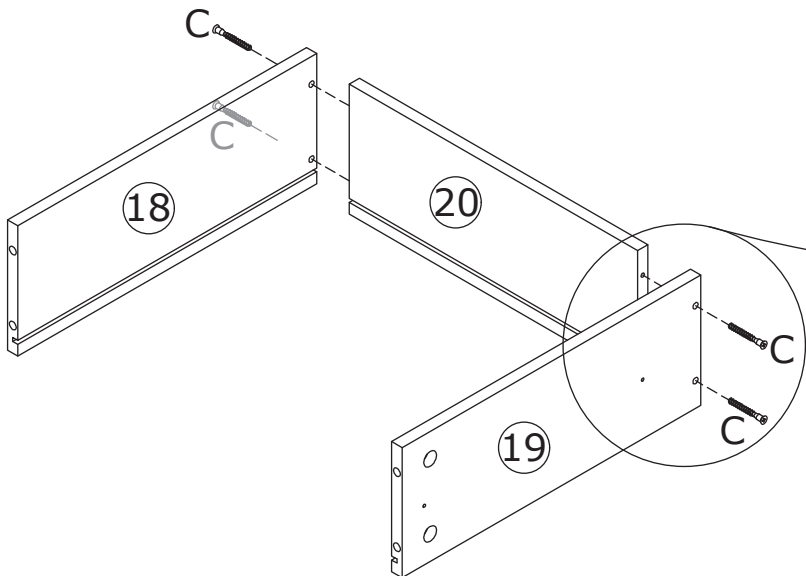
Install threaded rod A onto board 17.



22

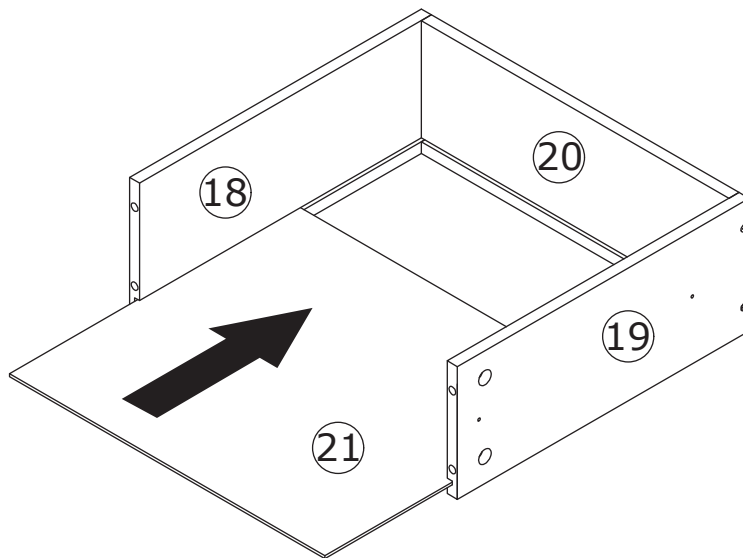


Secure boards 18 and 19 to board 20 with screw C.

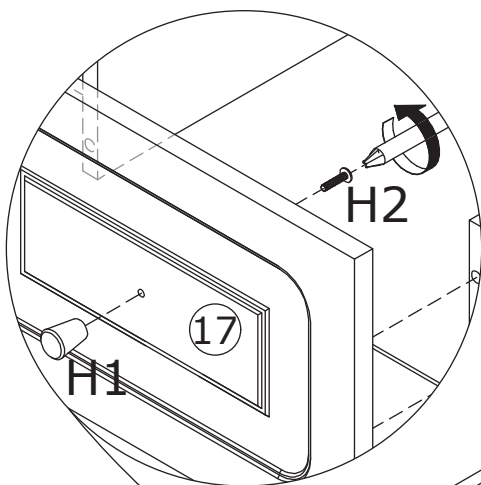
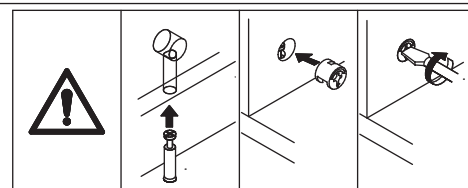
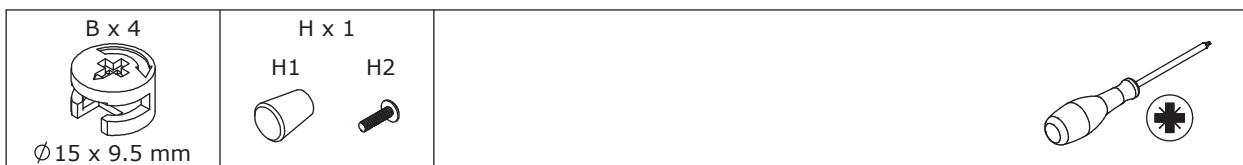


23

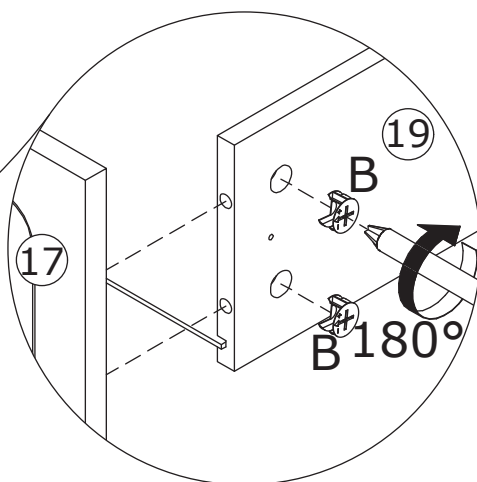
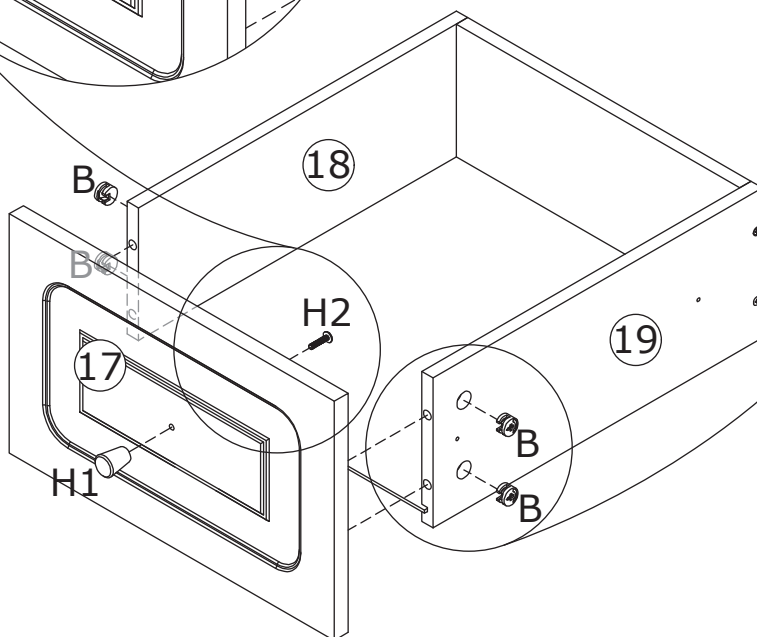
Insert board 21 into slots of boards 18, 19, and 20.



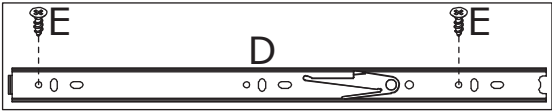
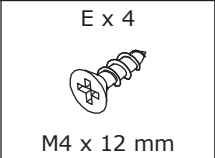
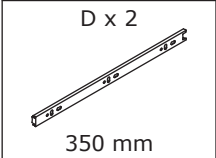
24



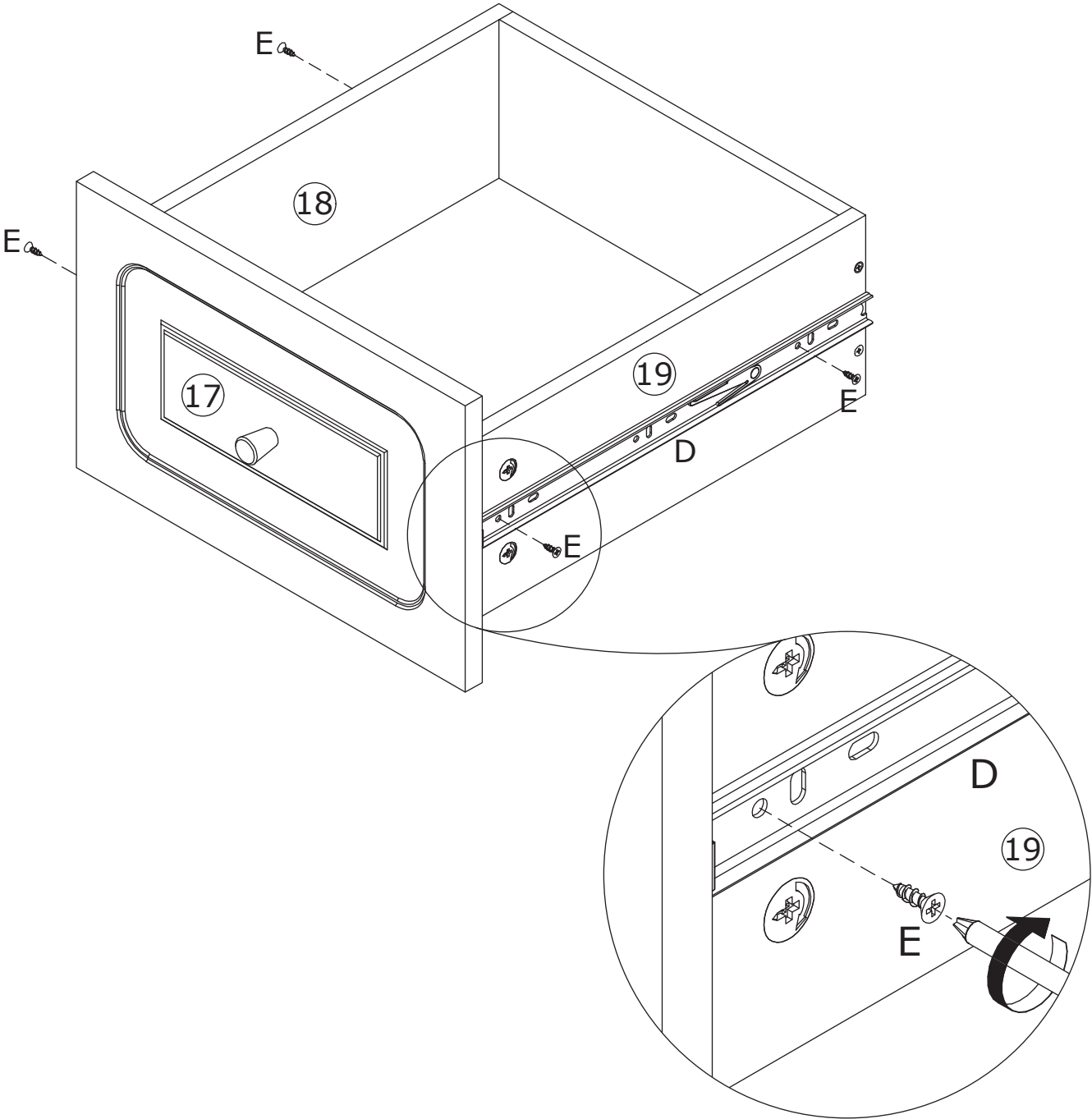
Connect board 17 to boards 18 and 19, insert cam lock B and tighten.
Attach knob H1 to board 17 with screw H2.



25

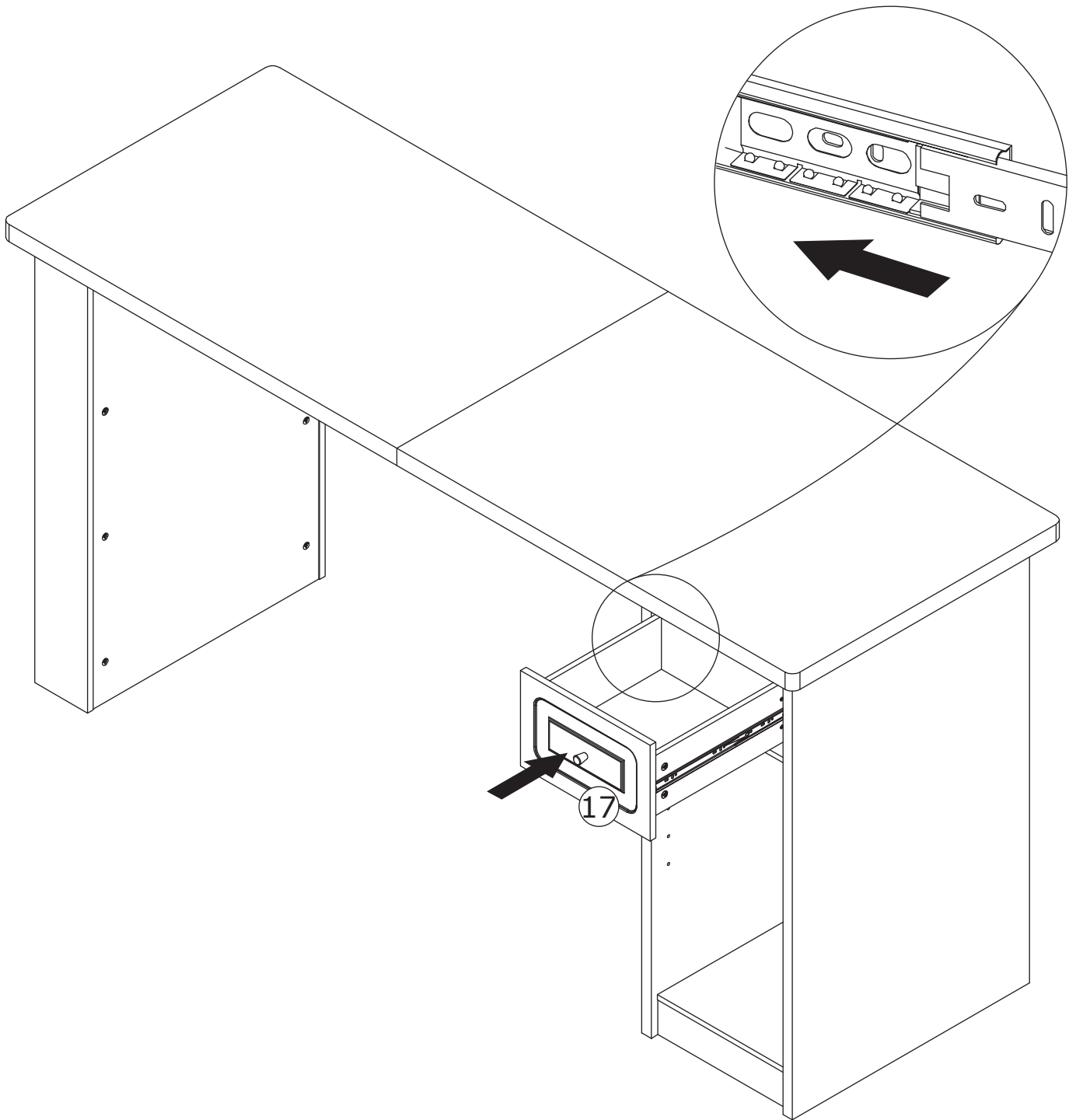


Secure rail D (D2 section) to boards 18 and 19 with screw E.



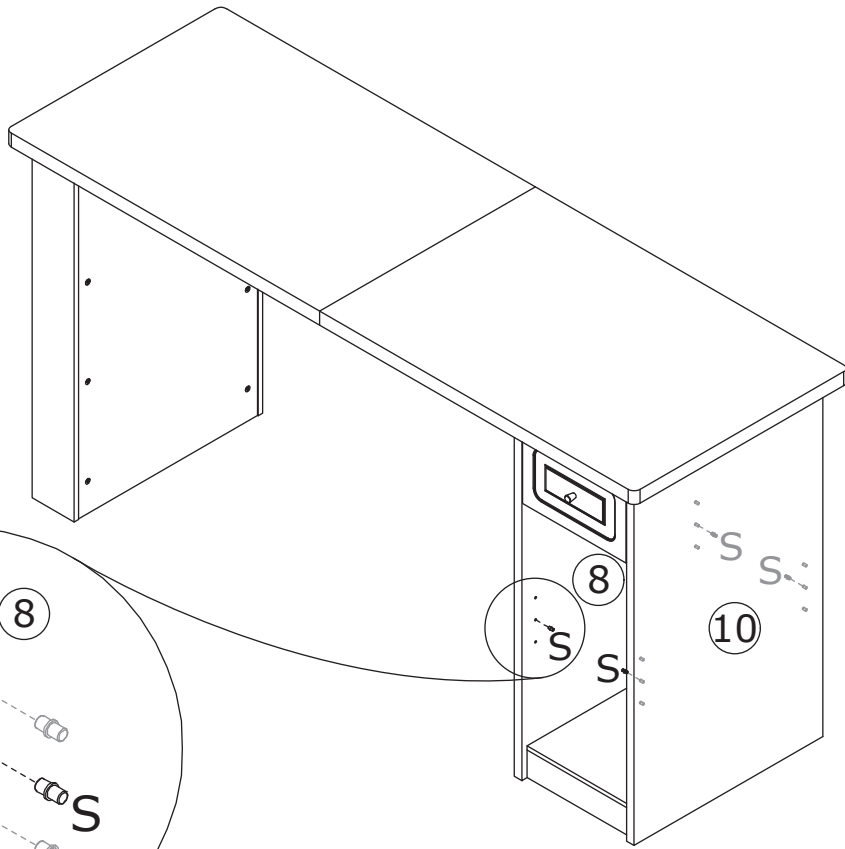
26

Insert assembled drawer into cabinet.

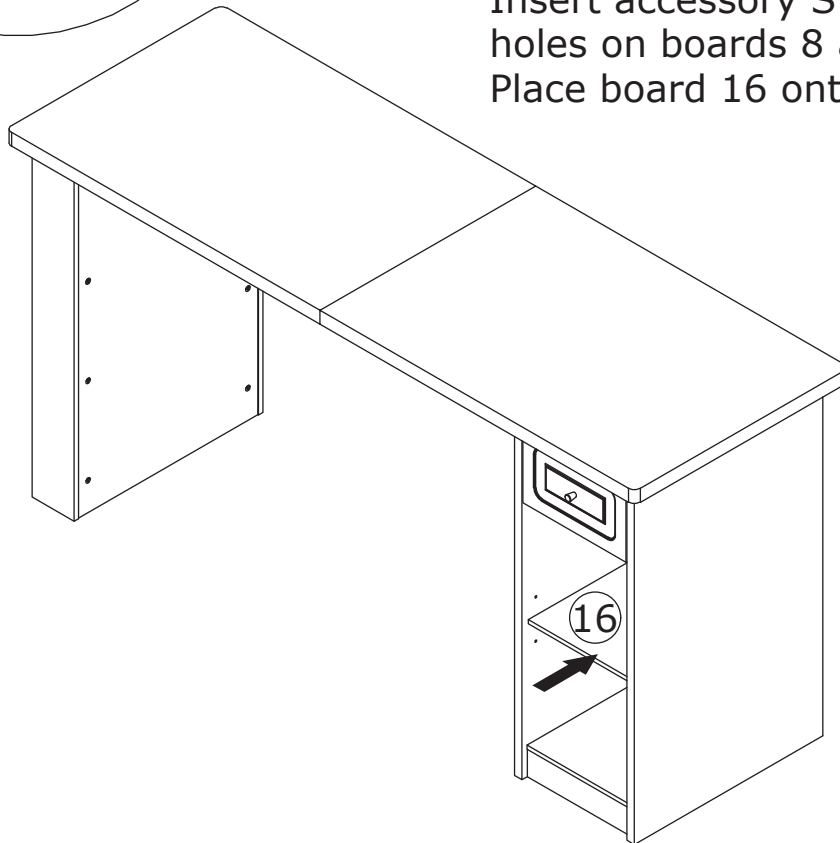


27

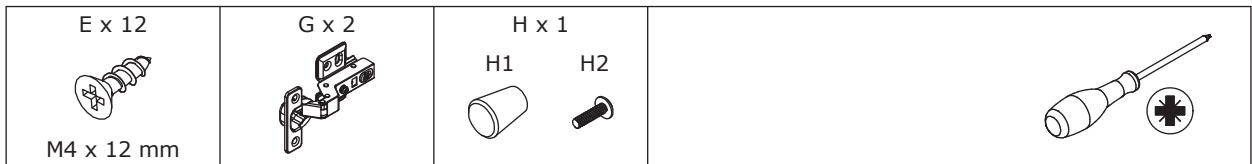
S x 4



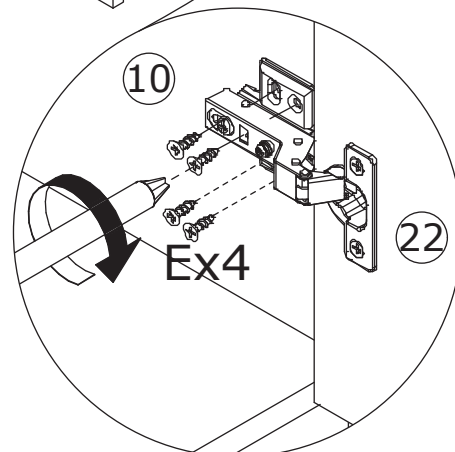
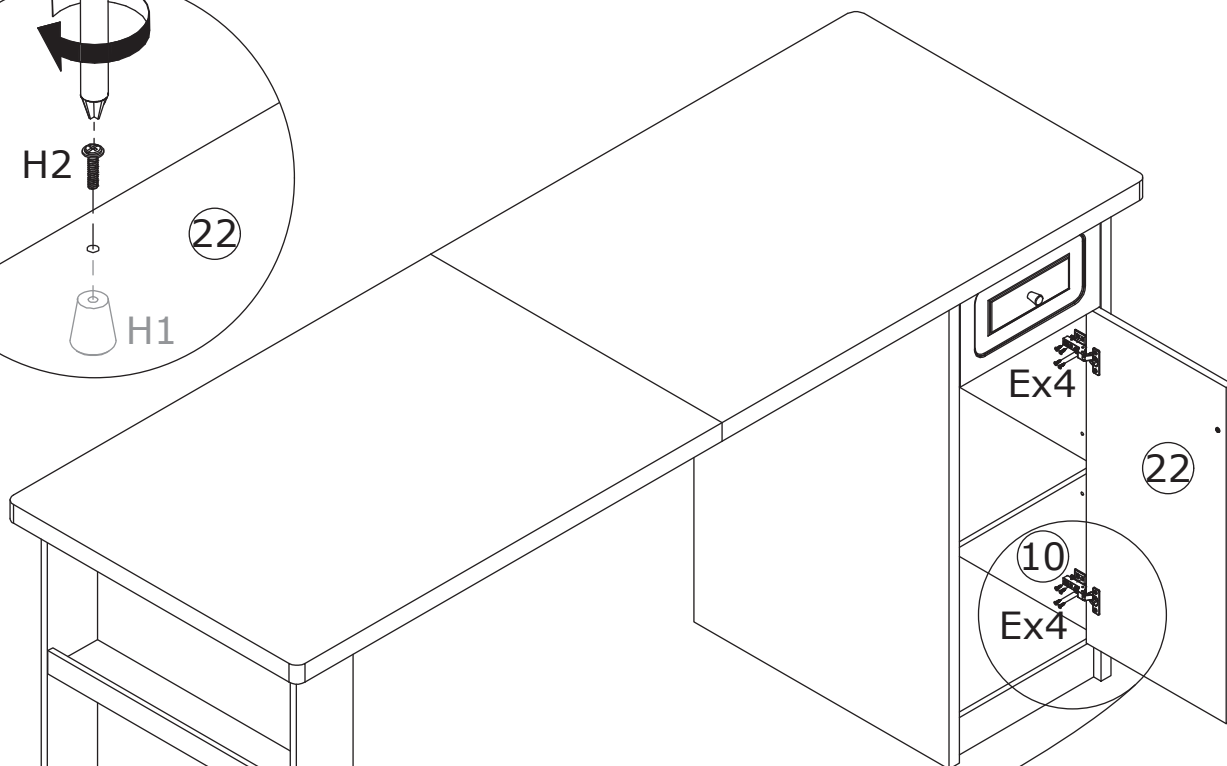
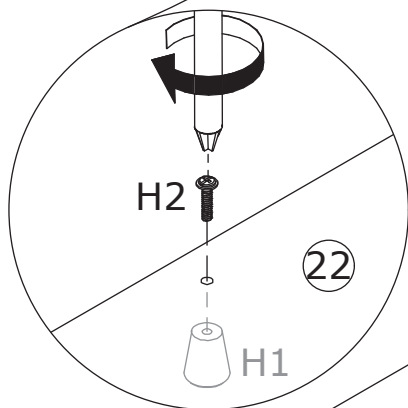
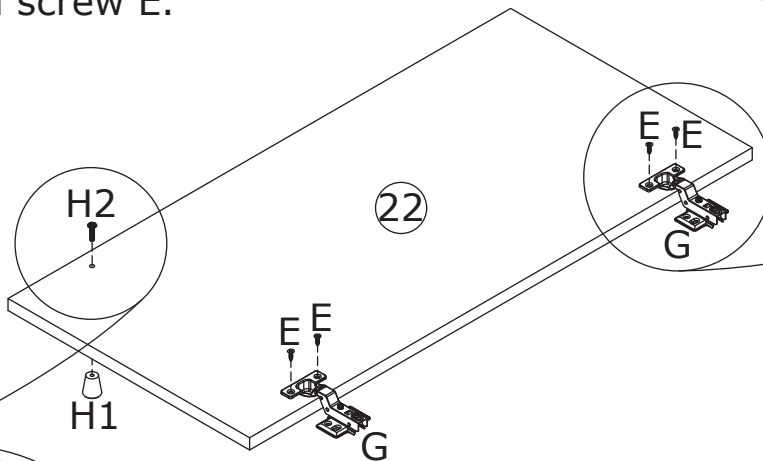
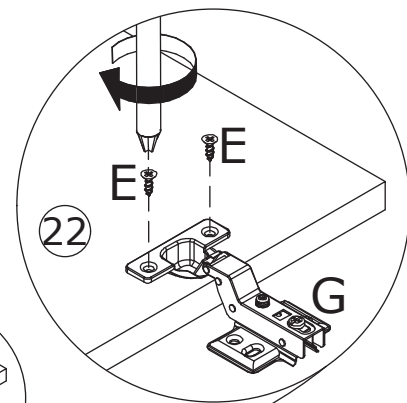
Insert accessory S into pre-drilled holes on boards 8 and 10.
Place board 16 onto accessory S.



28

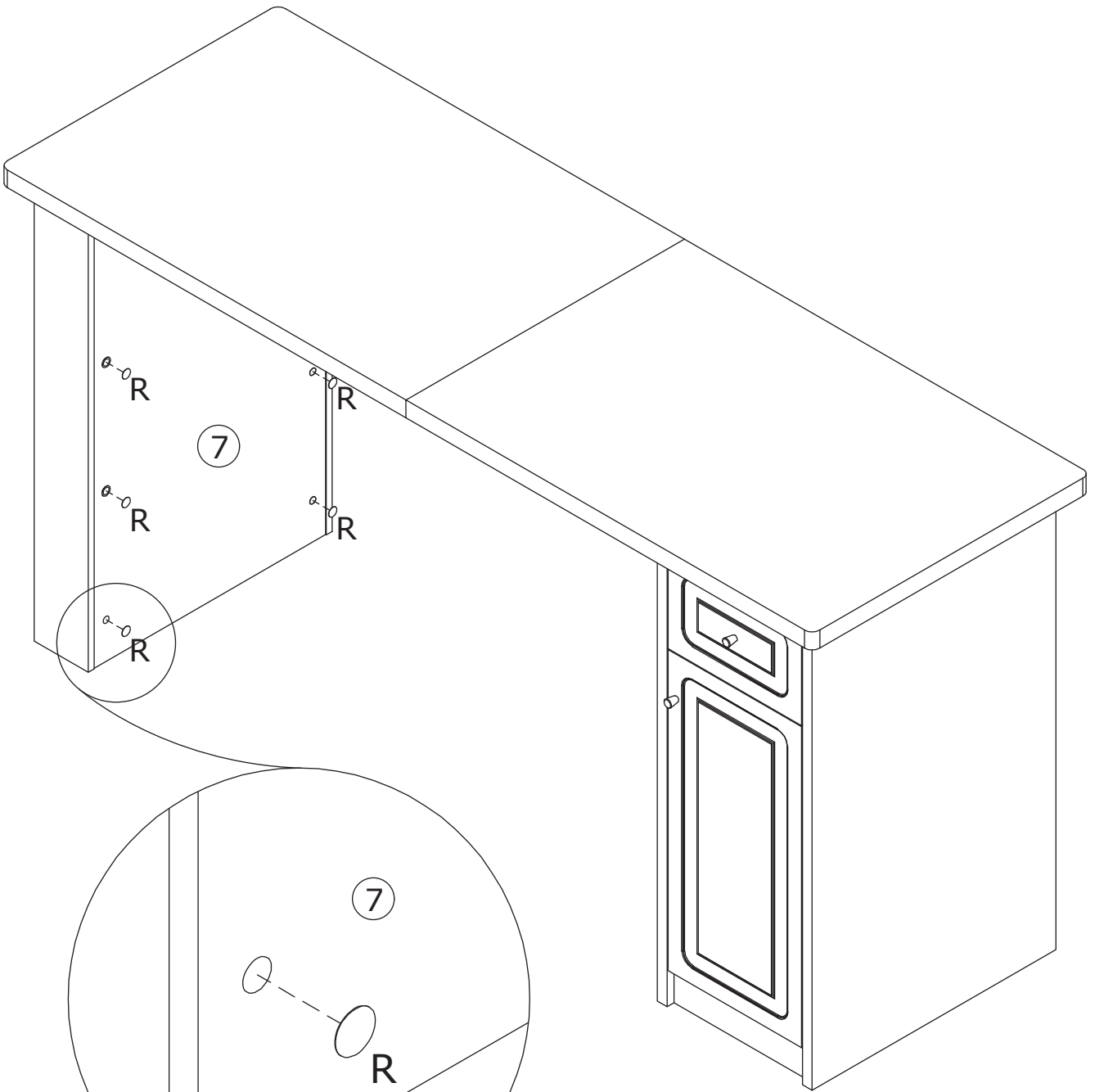


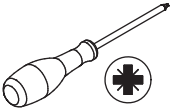
Secure hinge G to board 22 with screw E.
Secure knob H1 with screw H2.
Connect board 22 to board 10 by fixing hinge with screw E.



29

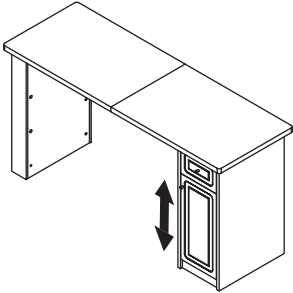
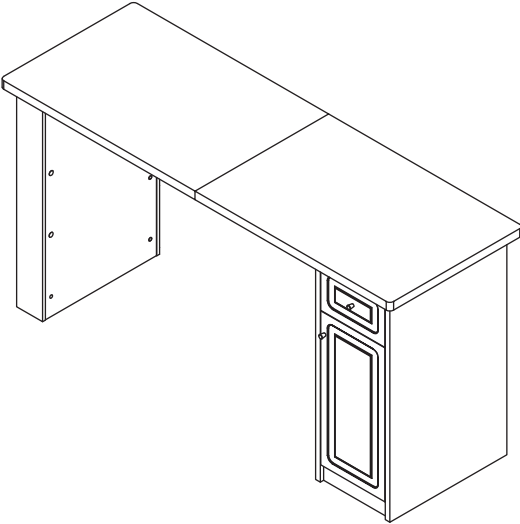
R x 22



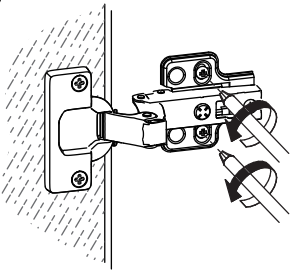


If doors are still not aligned if the hinges are properly installed, please watch the video.

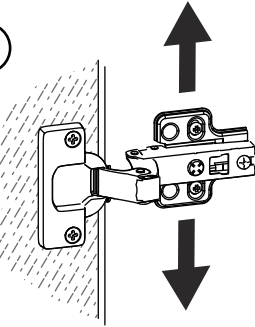
<https://youtu.be/n0Lb36SoODM>



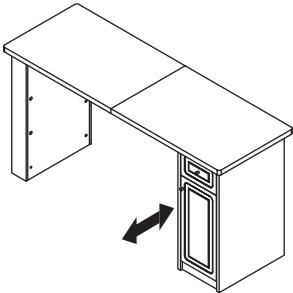
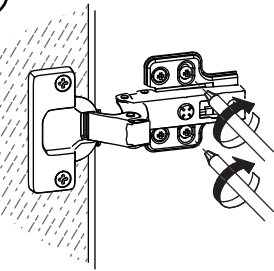
I



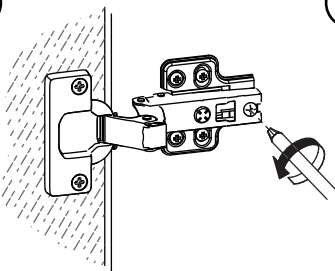
II



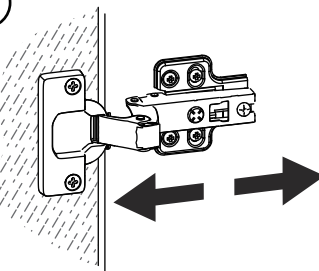
III



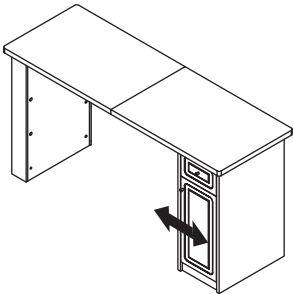
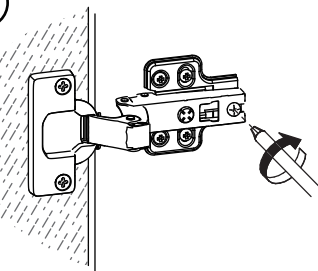
I



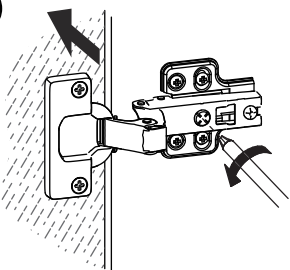
II



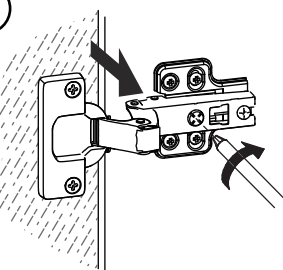
III



I



II



WARRANTY

WARRANTY CLAIMS

- There is a 30-day warranty for broken furniture or any other problems that do not work properly. The warranty will start from the date of purchase which must be verified by proof of purchase.
- Before making a claim, we may be able to answer your query, simply call us. Please leave your purchase order number, along with some details of the problem, if you want a replacement part. We will arrange within 48 hours. If there is out of stock, we will reply with a shipping date.
- The product must be used in accordance with the instructions provided. For health reasons.
- For other reasons, if the furniture needs to be returned, it must be cleaned and dried and operated within 30 days of receipt.

Type of Warranty Claim

- Failure to follow the furniture instructions will invalidate the warranty. Attention please.
- Does not include damage during installation, but includes damage during transportation.

Scope of responsibility

- Shall not bear any responsibility for misuse or user damage and / or loss of parts during the installation of furniture.
- After using, the damage and scratches of the furniture are not covered by the warranty.

The Warranty Relates to All Bought in The Us and Covers The Following Areas

- Sheet parts: 1 month from the date of purchase.
- Electrical parts: 1 month from the date of purchase.

RETURNS

CHANGED YOUR MIND AND NEED TO RETURN YOUR ITEM?

PLEASE FOLLOW THE BELOW INSTRUCTIONS:

- If you have purchased and have simply changed your mind, follow the retailer's instructions for returns.

DEFECTIVE ITEMS

- If your item is defective in any way, i.e. it doesn't work but you can't identify why, in the first instance, please call us.

DAMAGED ITEMS

- If you receive an order with obvious shipping damage from the retailer, then we suggest the delivery is refused. If the delivery has been accepted and then shipping damage is found, please follow the specific instructions advised by the retailer. In all circumstances please save all packaging material and paperwork for the order. Please be aware that if you dispose of packaging material or attempt to return the merchandise without contacting the fulfiller, you jeopardise your chances of making a claim, and you may not receive a credit for the return.

AFTER-SALES CONTACT



adelahu@fufugaga.com



208-820-0068