

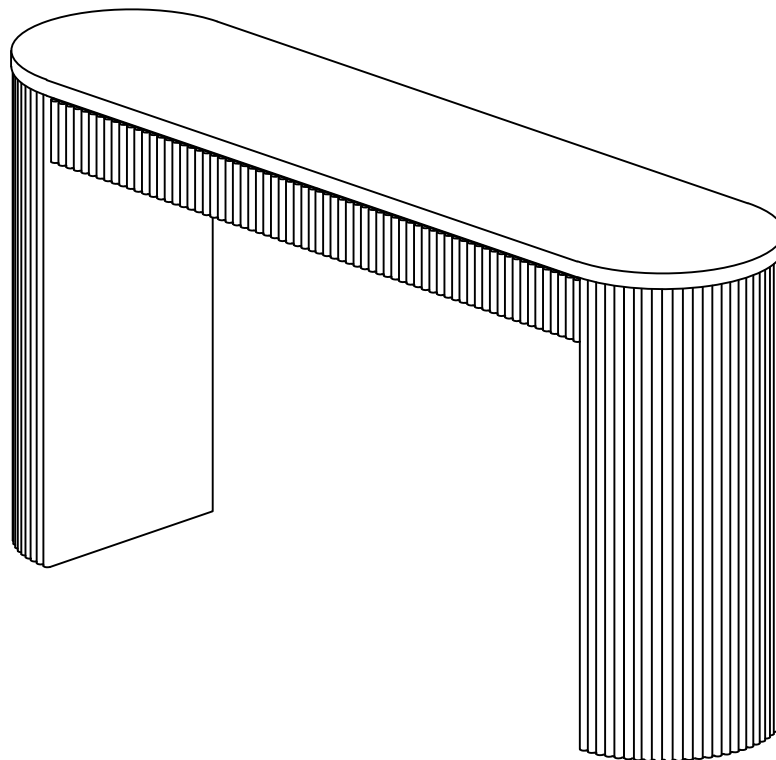
# Assembly Instruction

## CONSOLE TABLE WITH 2 DRAWER

Thank you for purchasing this quality product. Be sure to check all packing materials carefully for small parts, which may have come loose inside the carton during shipment. Identify and count all items and compare with the PARTS LIST and/or HARDWARE LIST shown below.

Caution: Please read the instructions thoroughly before assembly.

1. We recommend that you assemble this product with the assistance of another person; this will make the assembly easier, and will help eliminate damage to the product or injury to persons during assembly.
2. Please do not over tighten screws or bolts until the assembly is completed.
3. Please put all parts on a non-abrasive floor before assembly, and follow the assembly steps to assemble your newly purchased product correctly and efficiently.



### WARNING







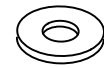
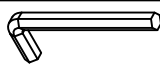
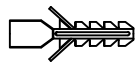




This product is NOT a Clothing Storage Unit (CSU).

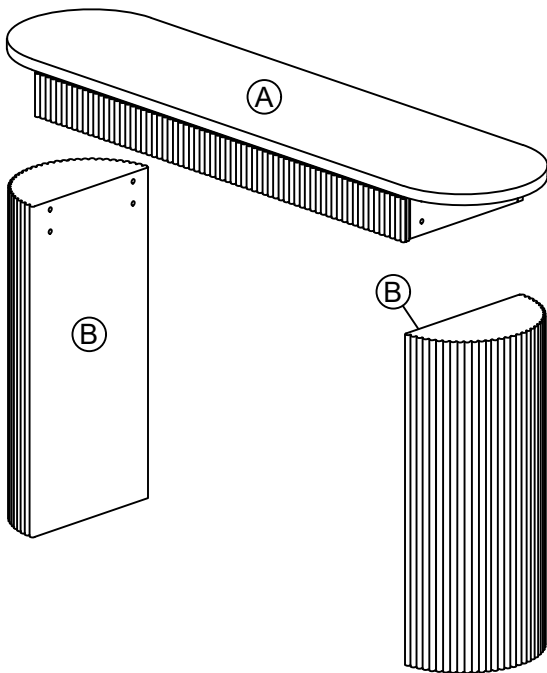
DO NOT use it for clothing storage.

Improper use may cause furniture tipover.

# Assembly Instruction

## CONSOLE TABLE WITH 2 DRAWER

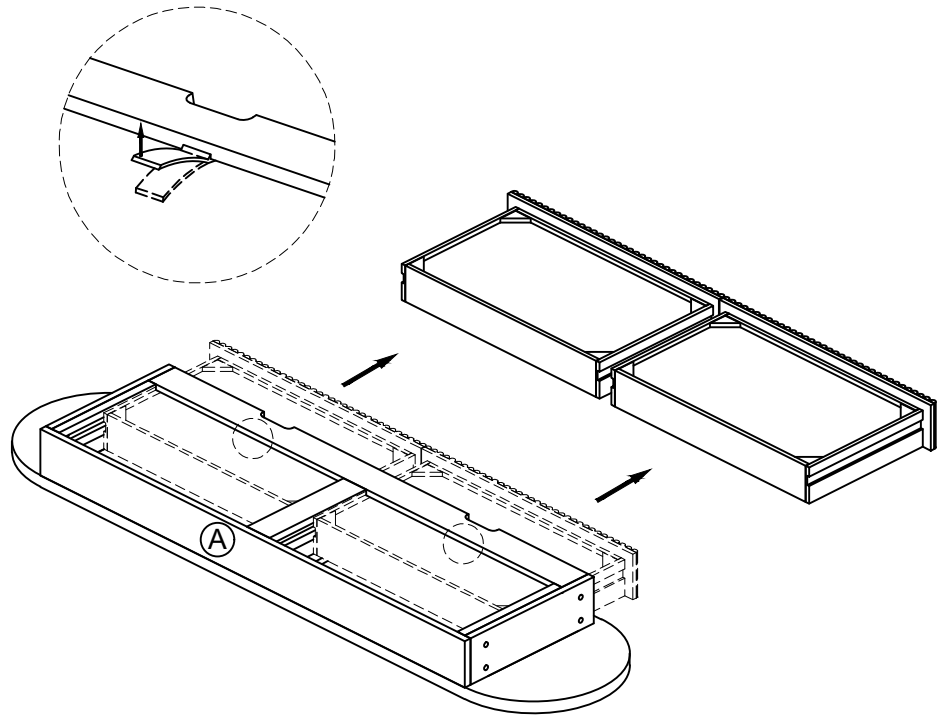
| PART LISTS |             |   |       | HARDWARE LISTS |                           |   |        |
|------------|-------------|---|-------|----------------|---------------------------|---|--------|
| NO         | DESCRIPTION | SKETCH  | Q.TY  | NO             | DESCRIPTION               | SKETCH  | Q.TY   |
| Ⓐ          | Table Top   |  | 1 Pc  | ①              | Bolt 1/4" x 45mm          |    | 08 Pcs |
|            |             |   |       | ②              | Spring Washer 1/4"        |    | 08 Pcs |
| Ⓑ          | Leg Frame   |  | 2 Pcs | ③              | Flat Washer 1/4"          |    | 08 Pcs |
|            |             |   |       | ④              | Allen Key L=60            |    | 1 Pc   |
|            |             |   |       | ⑤              | Anti Tip Kit              |   | 2 sets |
|            |             |   |       | ⑤.1            | Plastic Anchor            |  | 2 Pcs  |
|            |             |   |       | ⑤.2            | Metal Bracket             |  | 4 Pcs  |
|            |             |   |       | ⑤.3            | Long screw<br>M4 x 40 mm  |  | 2 Pcs  |
|            |             |   |       | ⑤.4            | Short screw<br>M4 x 20 mm |  | 2 Pcs  |
|            |             |   |       | ⑤.5            | Steel wire                |  | 2 Pcs  |



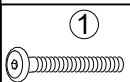
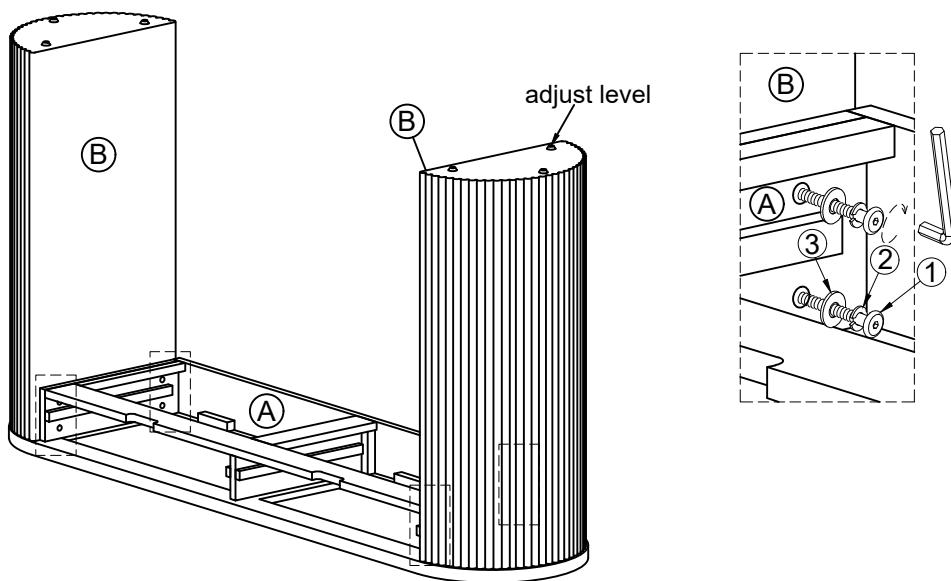
# Assembly Instruction

## STEP 1:

Remove the drawer from the cabinet



## STEP 2:



Q.ty: 8pcs



Q.ty: 8pcs



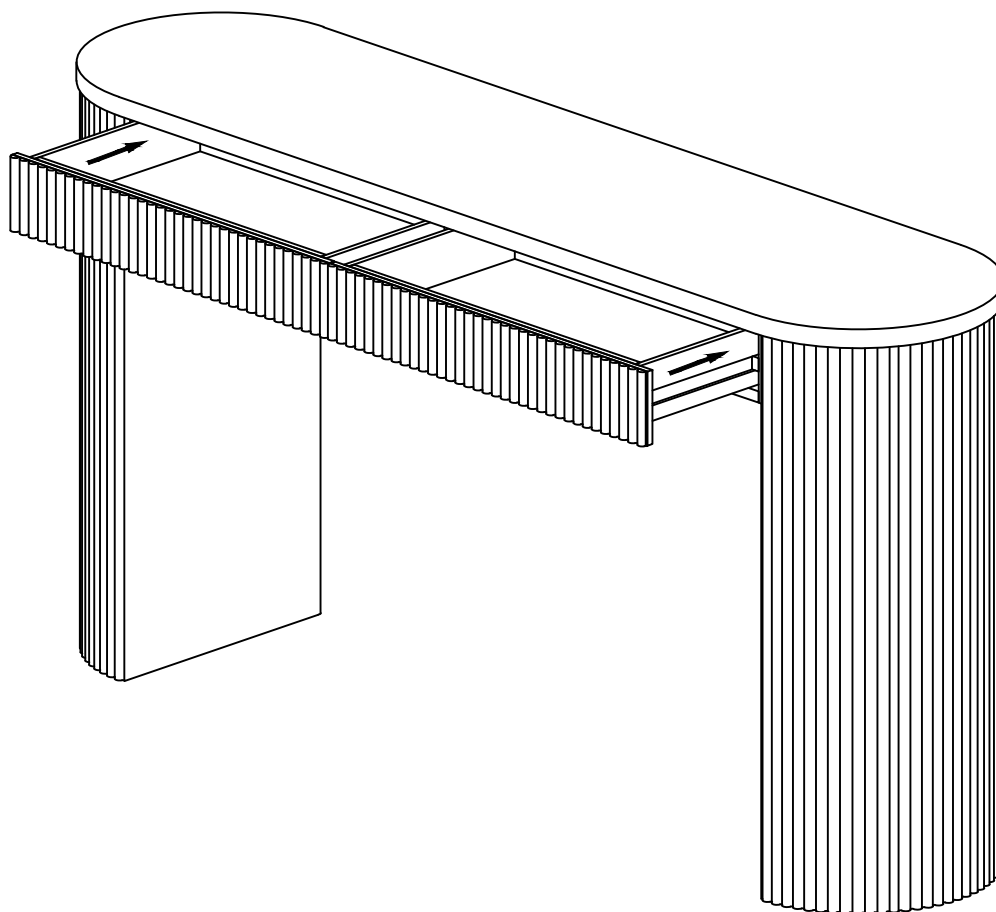
Q.ty: 8pcs

MADE IN VIETNAM

PAGE: 3 OF 5

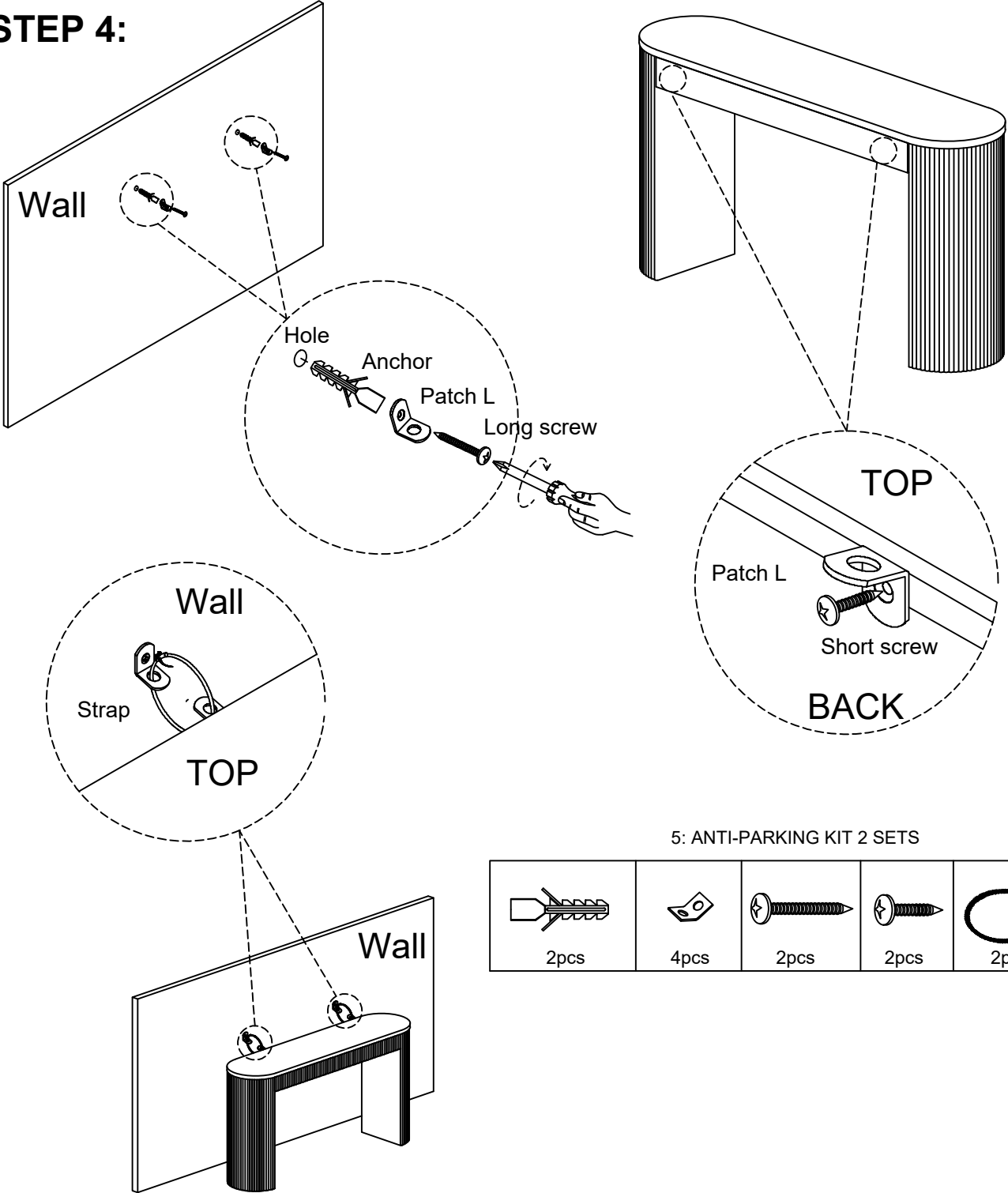
# Assembly Instruction

## STEP 3:








# Assembly Instruction

## STEP 4:



5: ANTI-PARKING KIT 2 SETS

|   |  |   |   |   |
|---|--|---|---|---|
|  |  |  |  |  |
| 2pcs  | 4pcs   | 2pcs  | 2pcs  | 2pcs  |