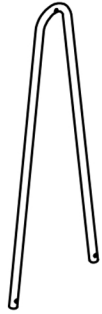
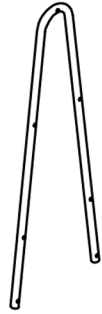
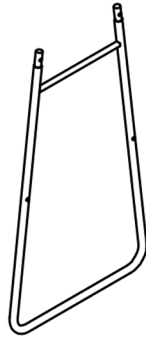
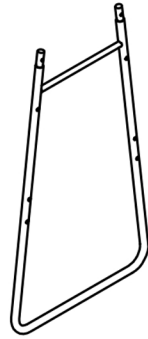

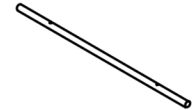
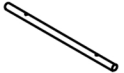
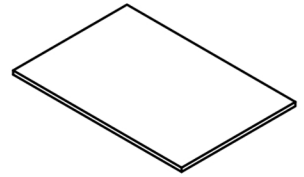
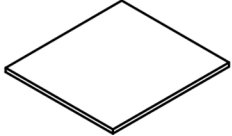
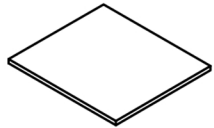
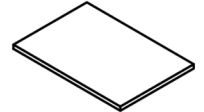
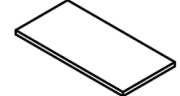
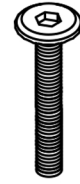
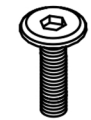
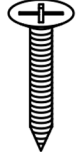




1

PARTS LIST

A	B	C	D	E	F	G	H		
									
2PCS	2PCS	2PCS	2PCS	2PCS	4PCS	8PCS	2PCS		
I	J	K	L	a	b	c	d		
									
1PCS	1PCS	1PCS	1PCS	1/4*28 28PCS	1/4*13 8PCS	24PCS	1PCS		

IMPORTANT:

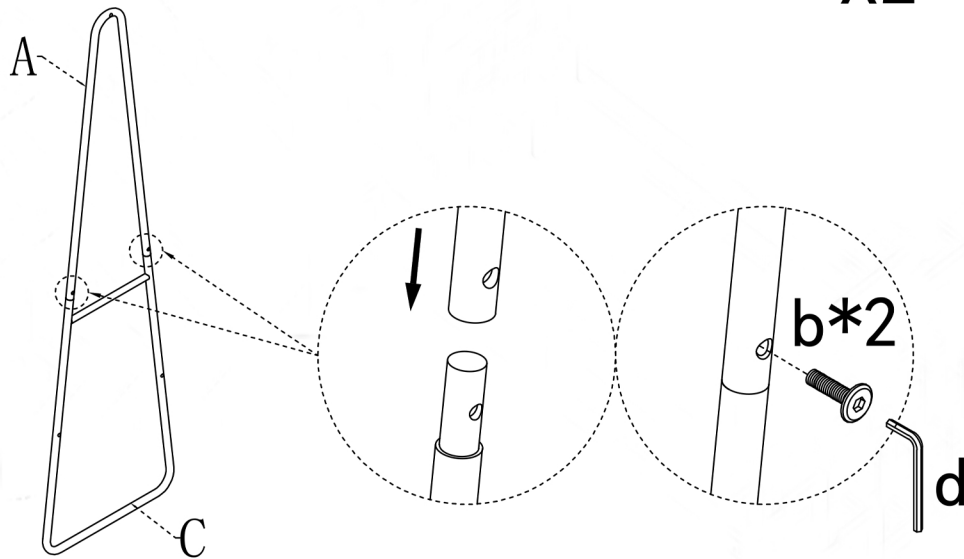
Please check parts list before you start to assembly. If parts damaged or missing. Contact your seller for a FREE REPLACEMENT. Please provide your order number, a brief message about the issue, and your shipping address. Thank you!

2

NOTE: PLEASE DO NOT TIGHTEN THE BOLTS UNTIL ALL FIXED

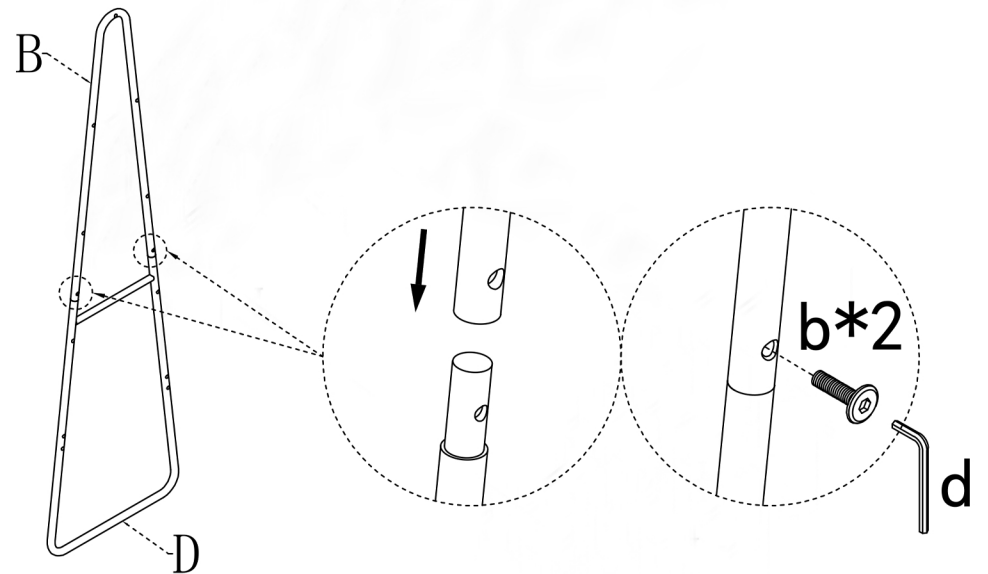
①

X2



②

X2

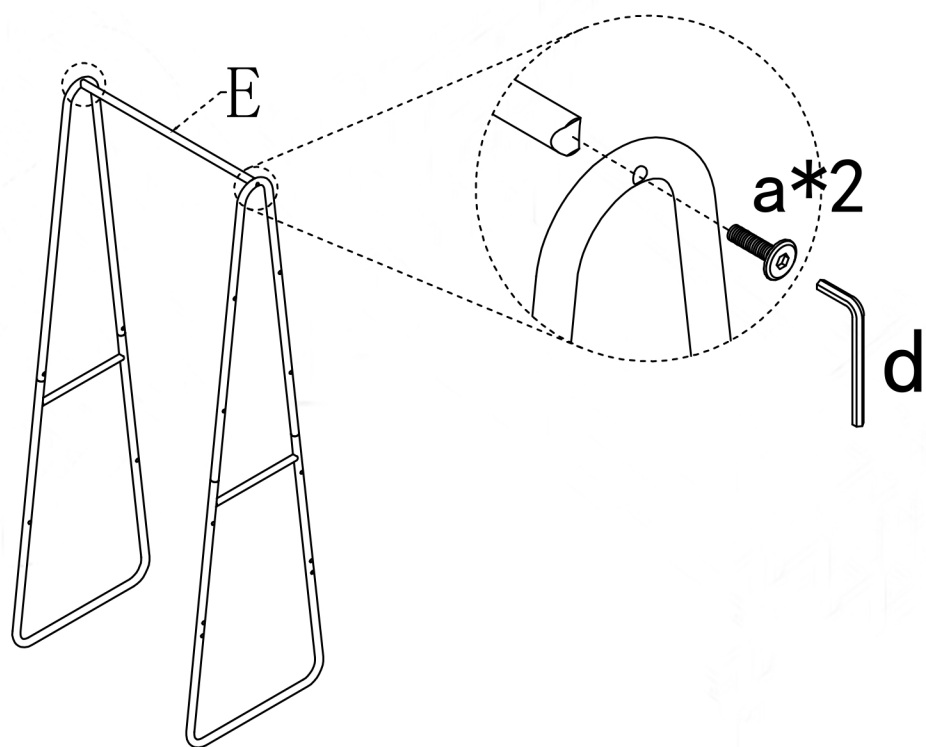


3

NOTE: PLEASE DO NOT TIGHTEN THE BOLTS UNTIL ALL FIXED

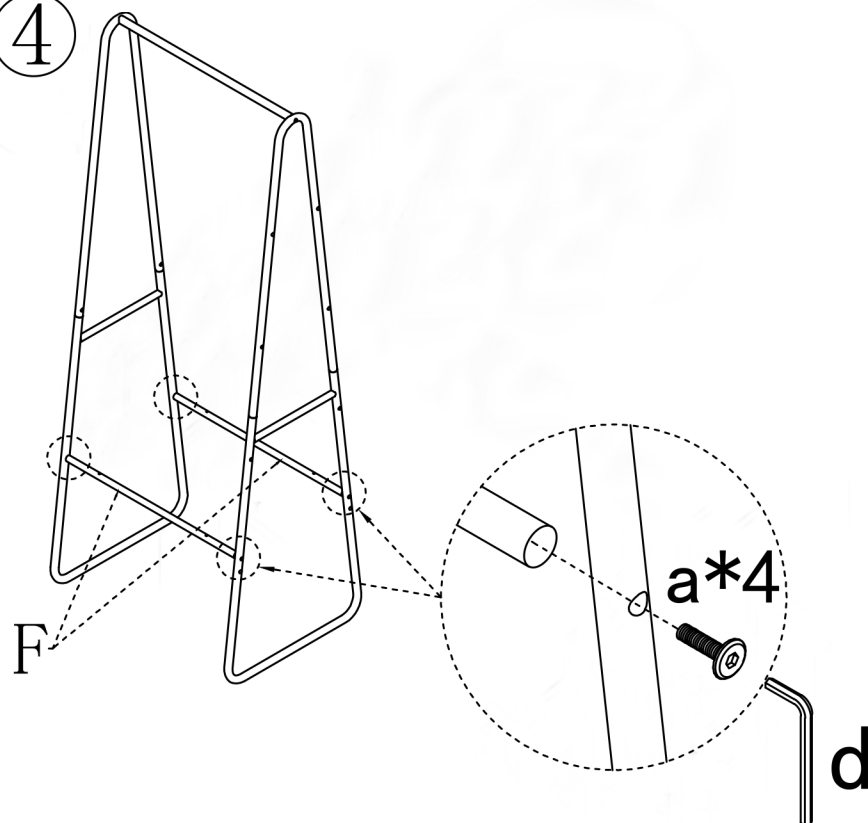
③

X2



④

X2

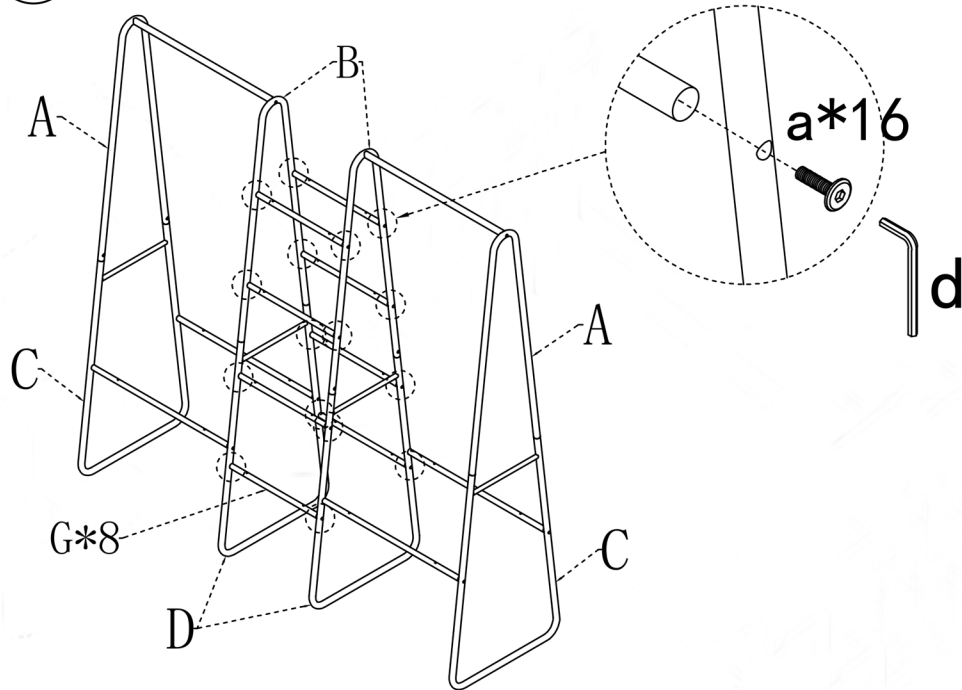


Please keep the concave surface of the " F " fitting hole vertically downward

4

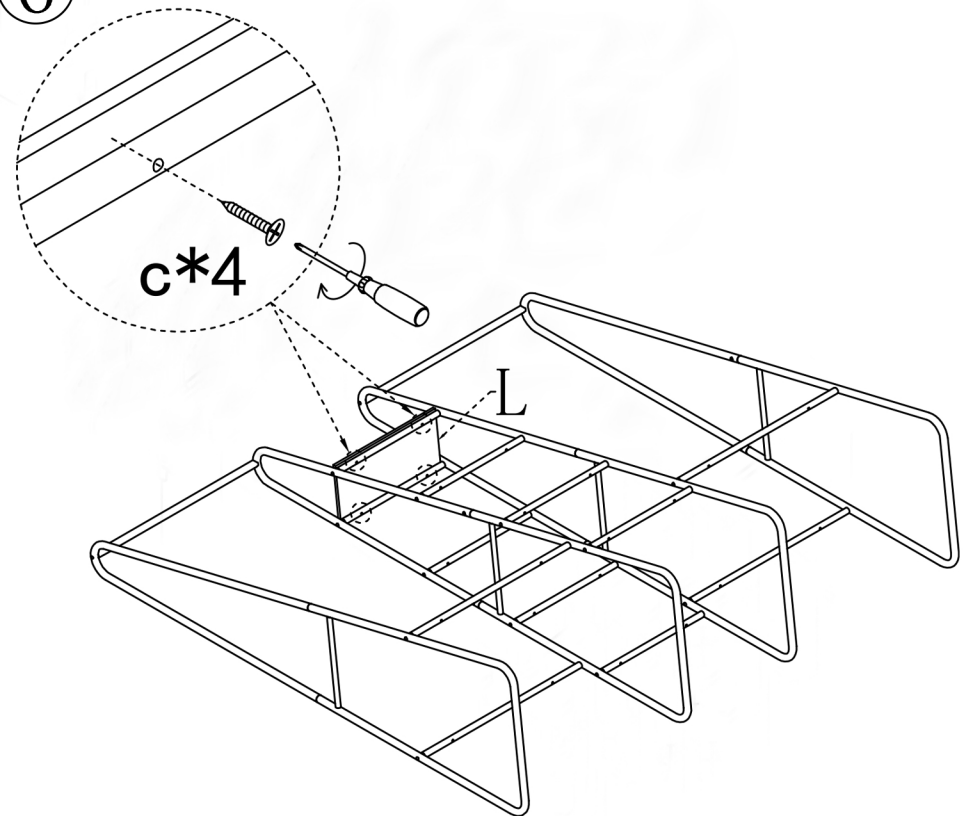
NOTE: PLEASE DO NOT TIGHTEN THE BOLTS UNTIL ALL FIXED

5



Please keep the concave surface of the " G " fitting hole vertically downward

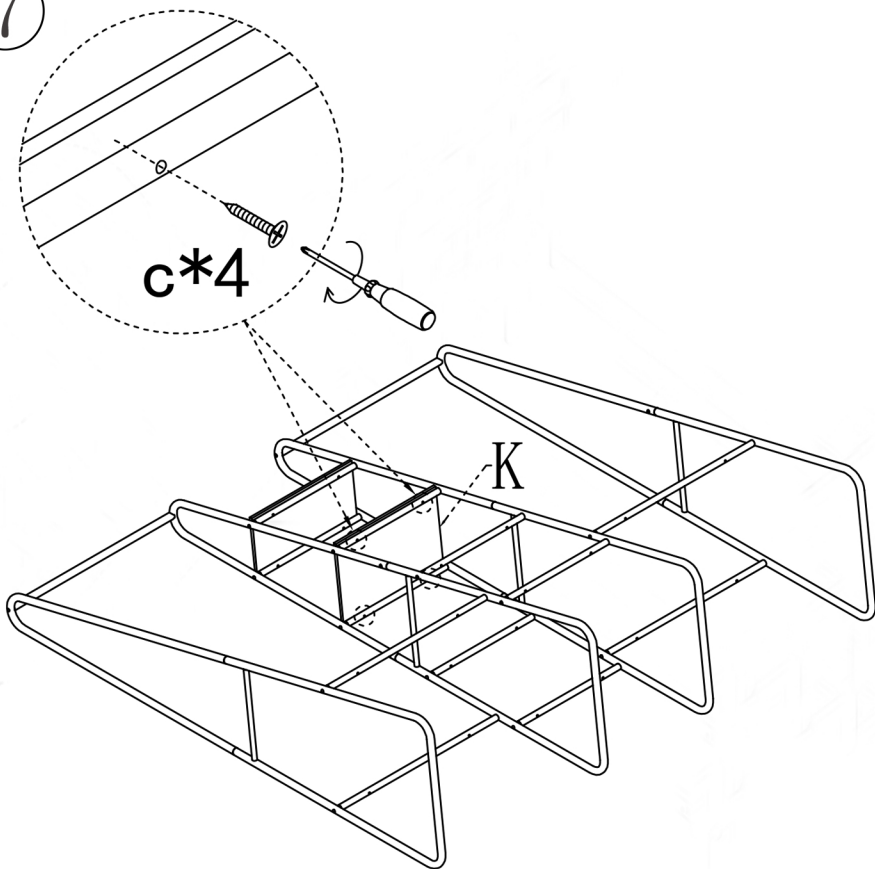
6



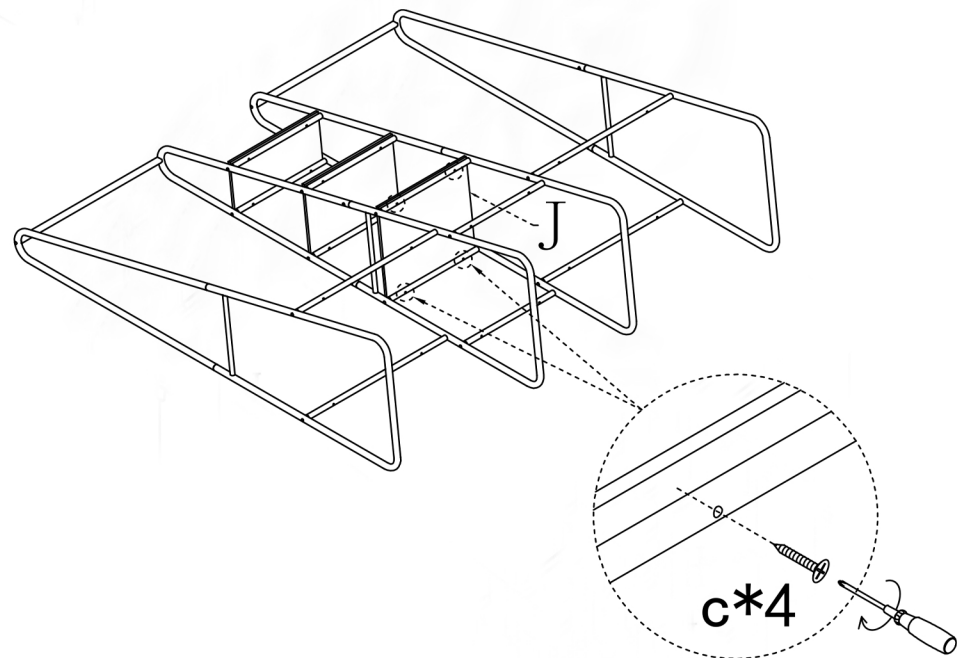
5

NOTE: PLEASE DO NOT TIGHTEN THE BOLTS UNTIL ALL FIXED

7



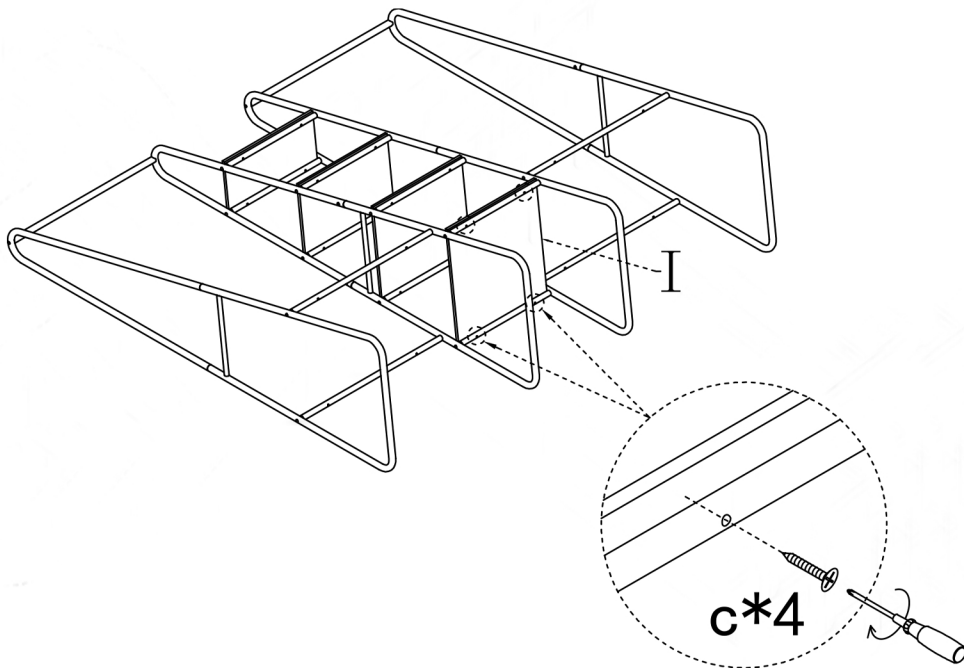
8



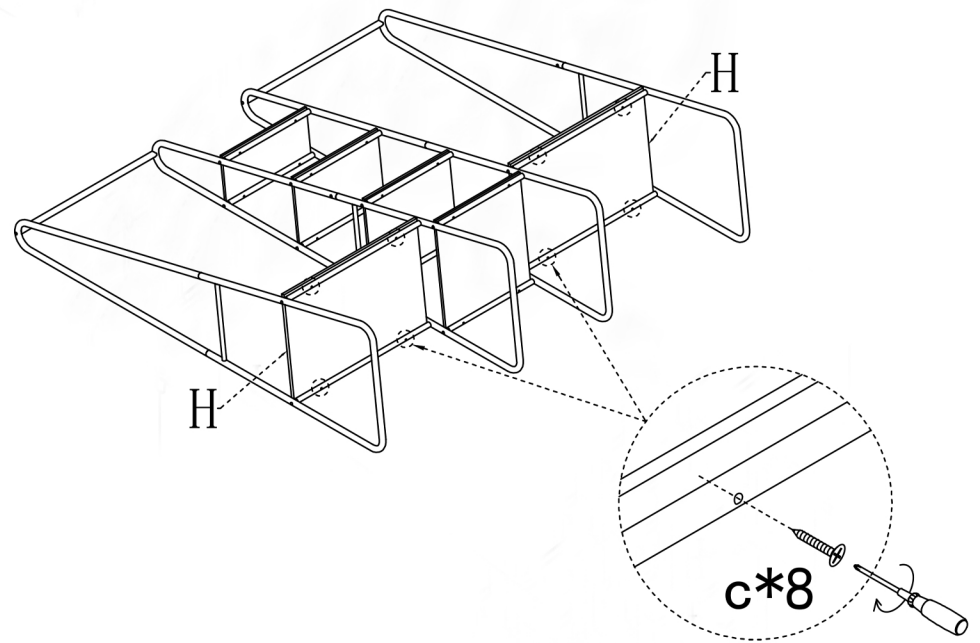
6

NOTE: PLEASE DO NOT TIGHTEN THE BOLTS UNTIL ALL FIXED

9



10



IMPORTANT: Please completely tighten all the bolts and nuts.