

# Instruction Manual

## 2.9m Round Lean Over Parasol



# CONTENTS

---

Safety and care advice	<b>1</b>
Components	<b>2</b>
Assembly instructions	<b>3</b>
Copyright	<b>7</b>

---

# ⚠ SAFETY AND CARE ADVICE ⚠

---

## PLEASE READ THESE INSTRUCTIONS CAREFULLY AND KEEP FOR FUTURE REFERENCE

- **Warning:** This unit weighs approximately 13.5kgs. Please lift with care.
- Check you have all the components and tools listed on page 2.
- Remove all fittings from the plastic bags and separate them into their groups.
- Keep children and animals away from the work area, small parts could choke if swallowed.
- Make sure you have enough space to lay out the parts before starting.
- Do not stand or put weight on the product, this could cause damage.
- Assemble the item as close to its final position (in the same room) as possible.

- Assemble on a soft level surface to avoid damaging the unit or your floor (use opened out unit carton).



- We do not recommend the use of power drill/drivers **for inserting screws**, as this could damage the unit. Only use hand screwdrivers.
- Dispose of all packaging carefully and responsibly.

## CARE AND MAINTENANCE

---

- Only clean using a damp cloth and mild detergent, do not use bleach or abrasive cleaners.
- From time to time check that there are no loose screws on this unit.
- This product should not be discarded with household waste. Take to your local authority waste disposal center.

**Note** *If required the next page can be cut out and used as reference throughout the assembly. Keep this page with these instructions for future reference.*

- We strongly recommend that you store your parasol when not in use, especially during winter months.

We do not recommend leaving your parasol out in poor weather or unattended in furniture when a gust of wind could cause damage.

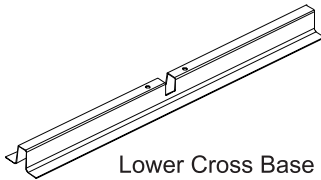
You should ensure your parasol is clean and dry to prevent any mould or mildew forming when folded and stored.

# COMPONENTS

Ensure the following components are in the box before proceeding with assembly:



A x1

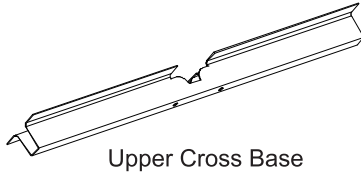


D x 4



Washer M8

B x1

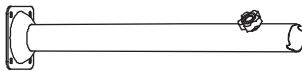


E x 4



Bolt M8\*25mm

C x1



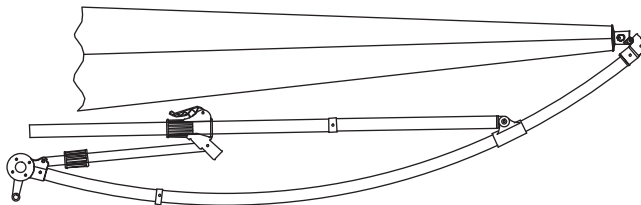
Central Spigot

G x1



Wrench

F x1



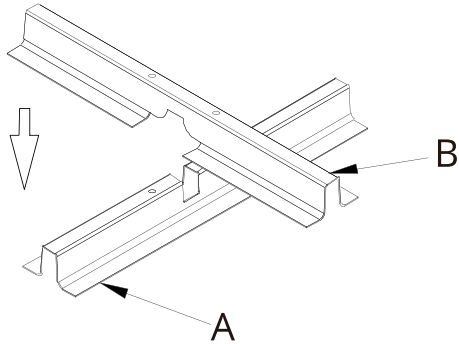
Main Frame and Canopy



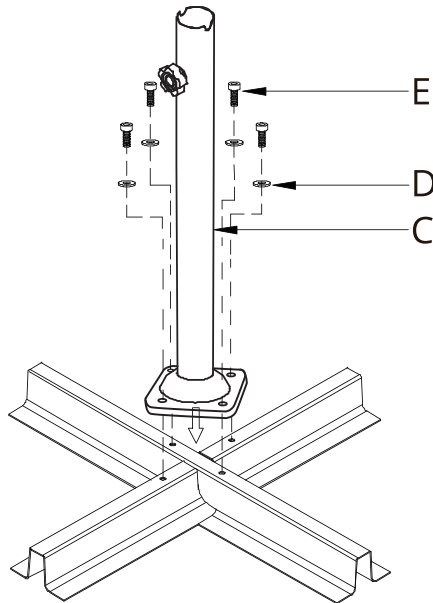
# ASSEMBLY INSTRUCTIONS

---

**Step 1** Place the upper cross base (B) over the lower cross base (A)



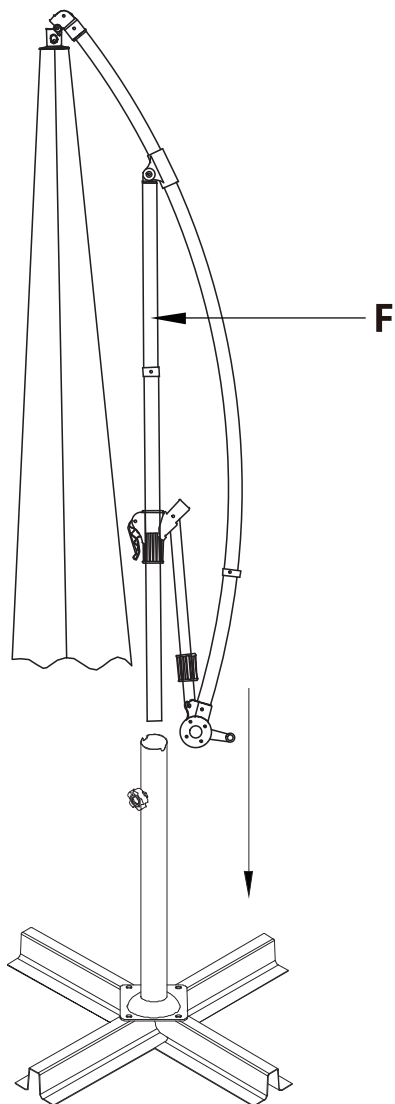
**Step 2** Using the wrench fix the central spigot to the assembled cross base with 25mm hex bolts and washers. Tighten firmly.



# ASSEMBLY INSTRUCTIONS

---

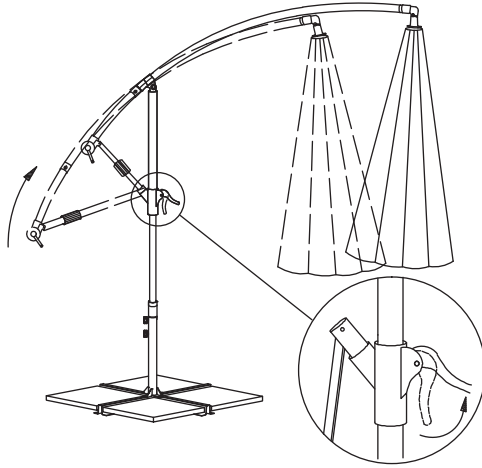
- Step 3** Attach the main frame and canopy to the central spigot, tighten the tension screw firmly.



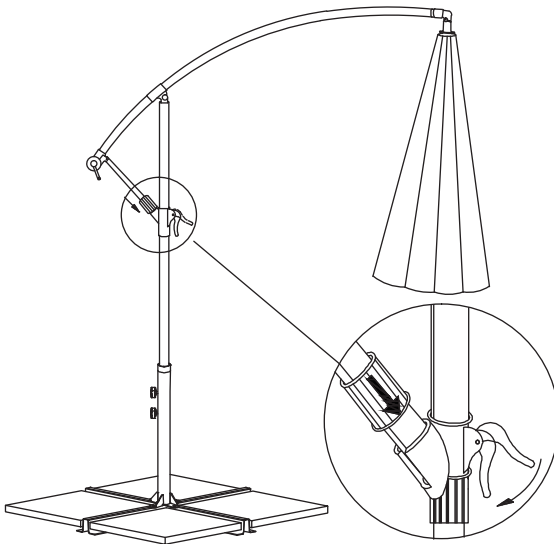
# OPERATING INSTRUCTIONS

---

- Step 1** Unlock the lift clamp. Gently slide the arm upwards to fully extend the umbrella.

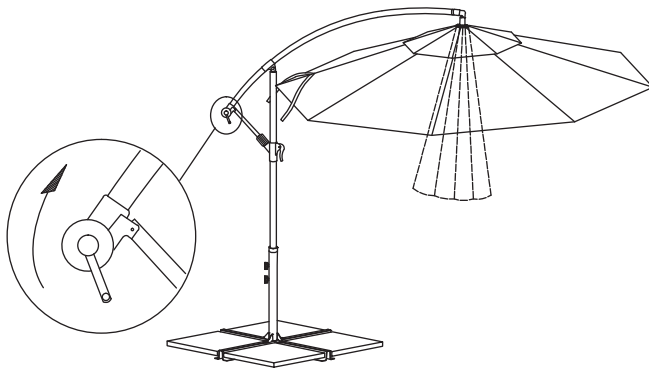


- 
- Step 2** When the umbrella arm is fully extended, lock the lift clamp and slide the lock cover into place as shown.



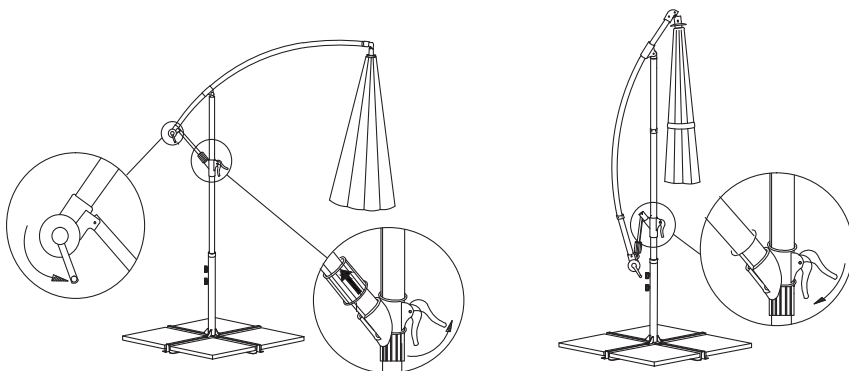
---

**Step 3** Turn the crank handle in a clockwise direction to open the canopy (take care not to keep winding the crank handle once the canopy is fully opened). Use the tie strings provided at the back of the canopy to secure it to the main umbrella pole.



---

**Step 4** To close the umbrella, first undo the tie strings and then wind the crank handle gently in a counter-clockwise direction until the canopy is fully closed. **CRITICAL STEP: Always remember to slide the lock cover away from the vertical lift mechanism BEFORE lowering the umbrella arm.** Unlock the lift clamp and gently slide the arm downwards to fully lower the umbrella. Fasten the Velcro storage straps around the canopy and main frame. **NOTE: A regular application of silicon spray to the sliding mechanisms will assist with smooth operation.**



# **IF YOU FIND A DEFECTIVE PART**

---

We fully stock all parts and components. Any defective part can be quickly replaced. Take note of the defective part number in manual and we will arrange a replacement.