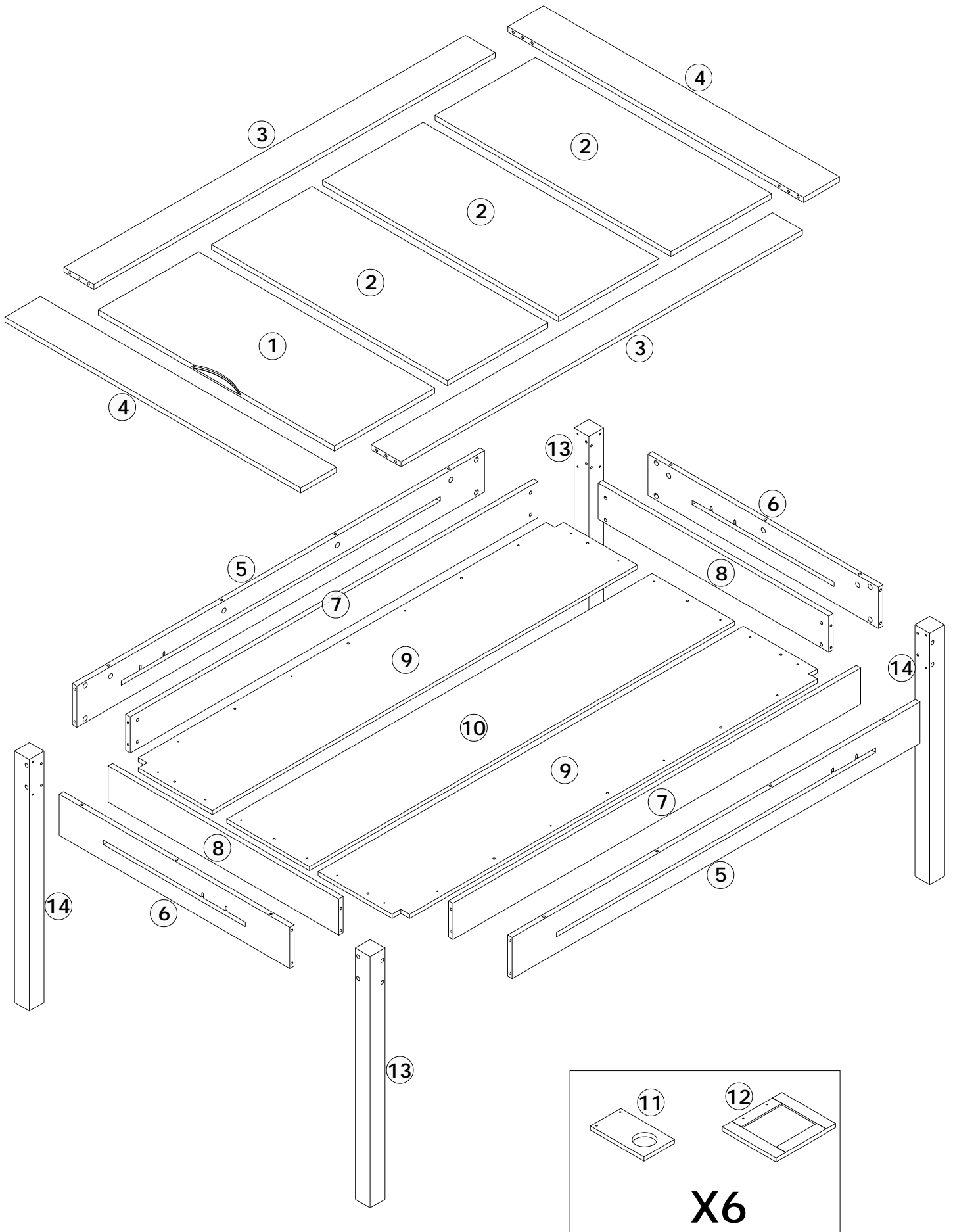
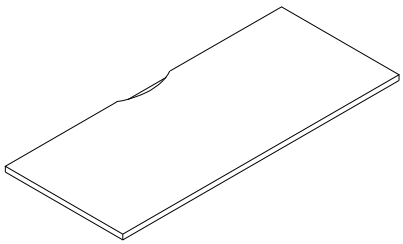
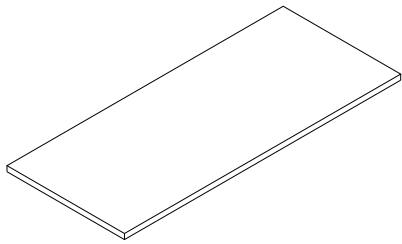
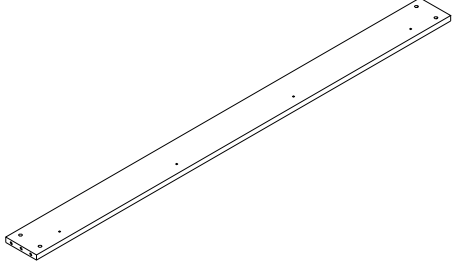
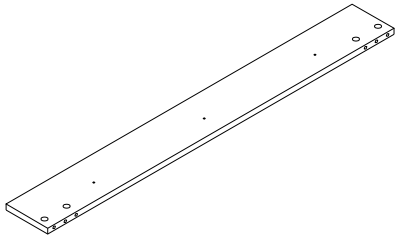
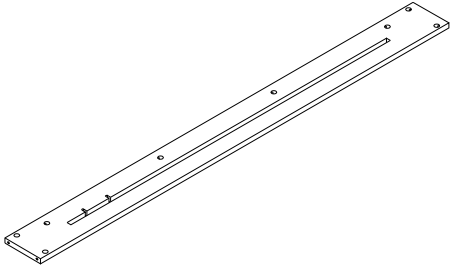
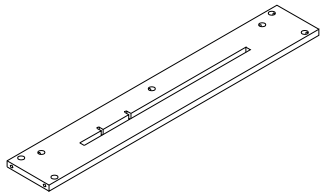
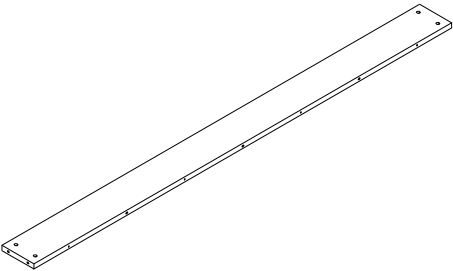
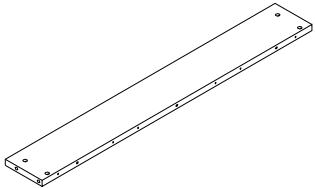
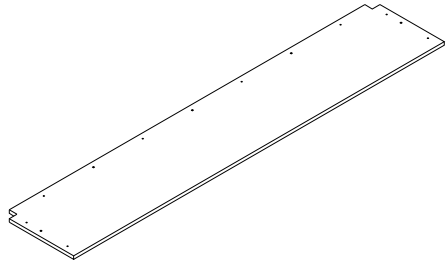
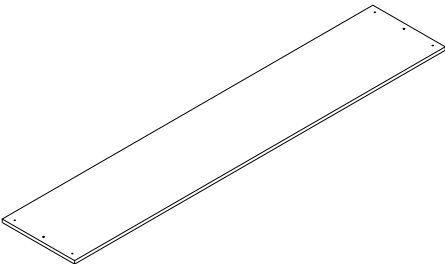
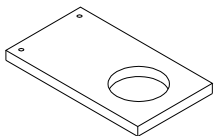
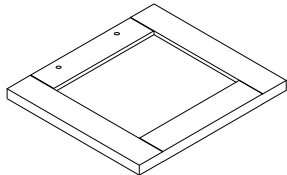
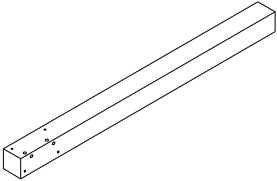
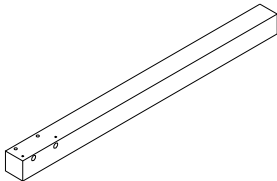


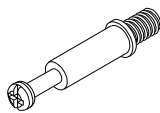

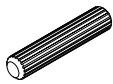
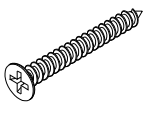

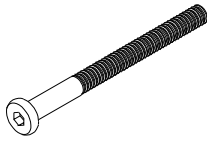

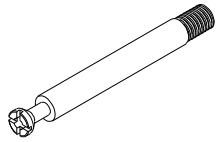
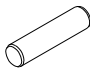
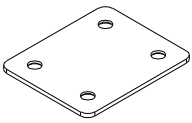
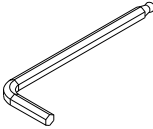

Installation instruction



Parts and Operation Elements

					
①	1pc	②	3pcs	③	2pcs
					
④	2pcs	⑤	2pcs	⑥	2pcs
					
⑦	2pcs	⑧	2pcs	⑨	2pcs
					
⑩	1pc	⑪	6pcs	⑫	6pcs
					
⑬	2pcs	⑭	2pcs		

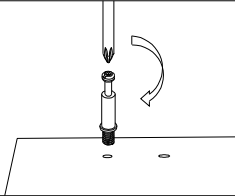
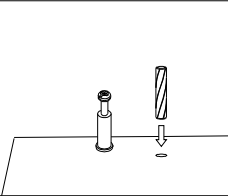
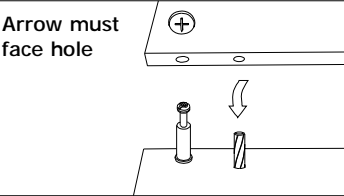
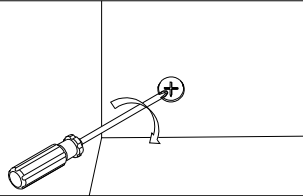
Hardware

							
Cam bolt		Cam lock		Wood dowel Ø6 x 30mm		Ø4 x 35mm screw	
A	30+3pcs	B	38+4pcs	C	16+2pcs	D	20+2pcs
							
Ø4 x 12mm screw		Machine screw Ø6 x 70mm		Barrel nut		Cam bolt	
E	24+3pcs	F	16pcs	G	24+2pcs	H	8pcs
							
Shelf supports				L fitting		Metal cup	
J	24+2pcs	K	6pcs	L	1pc	M	6pcs

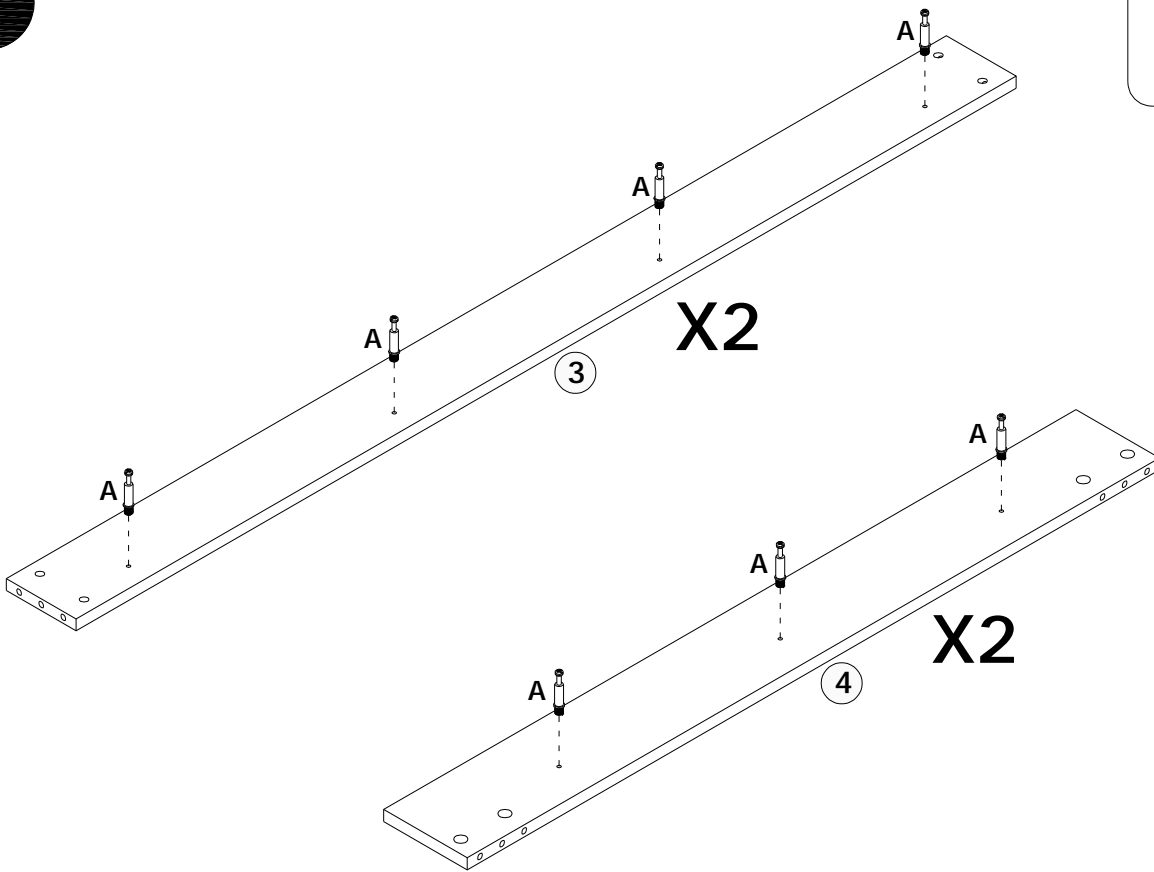


SPARE BAG

THE SPARE BAG INCLUDED EXTRA HARDWARE FOR DAMAGED OR MISSING SMALL HARDWARE WHILE YOU ARE ASSEMBLING

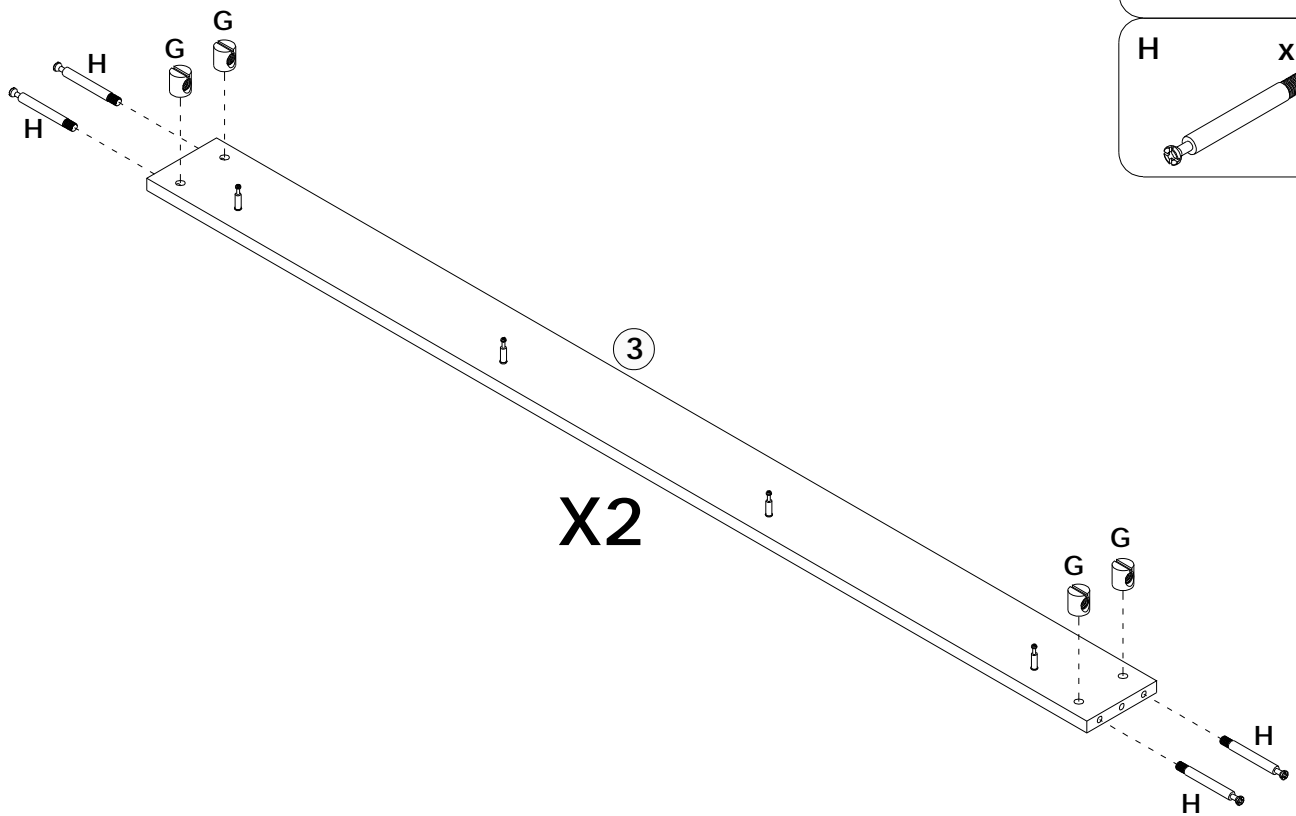
			
Gently screw cam bolt into the threaded anchor.	Insert the wood dowel halfway into hole.	Arrow must face hole	Screw the camlock firmly into locked position.

1



A x14

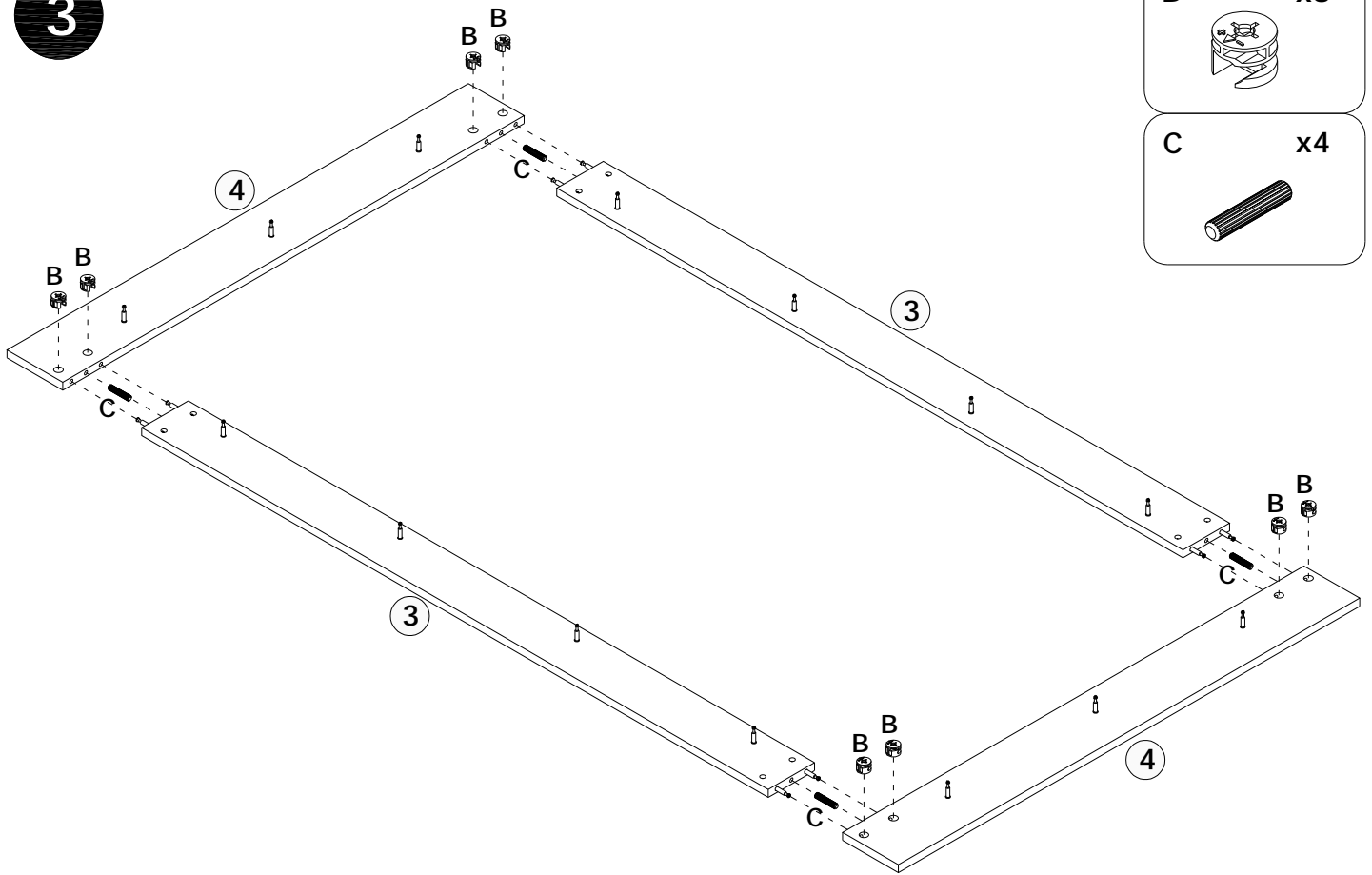
2



G x8

H x8

3



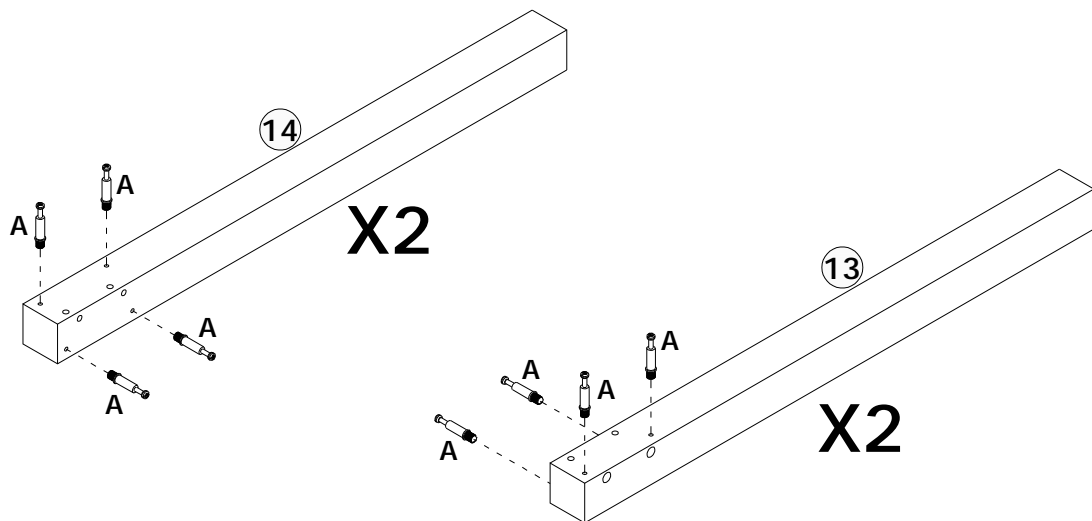
B x8



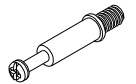
C x4



4

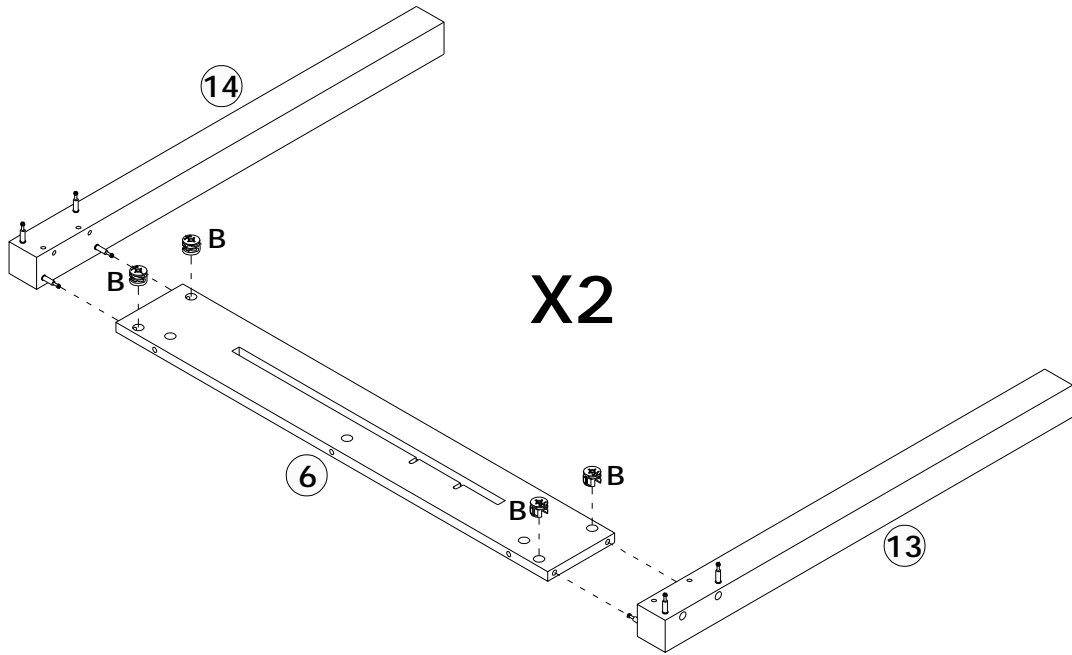



A x16



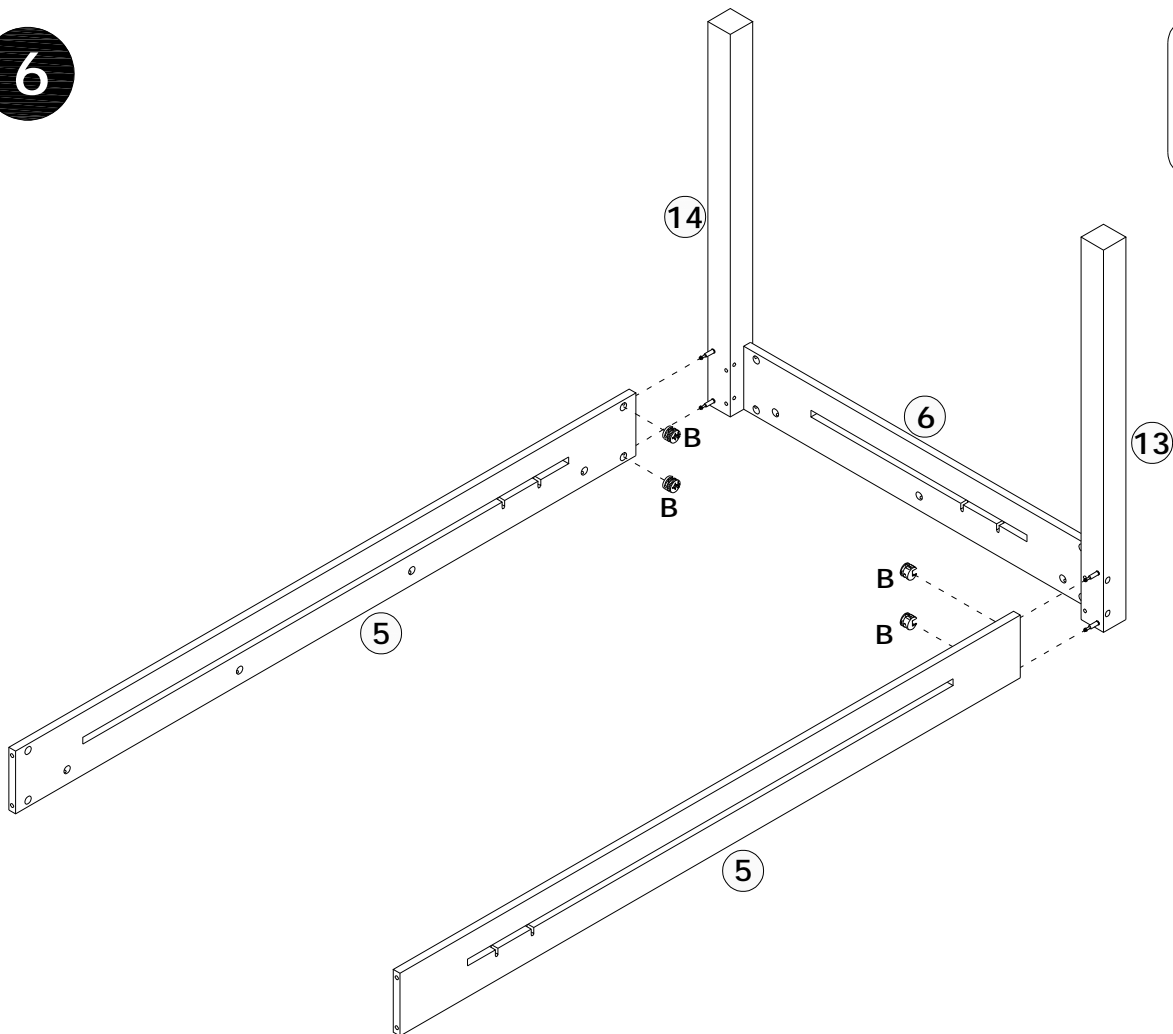

5

B x8



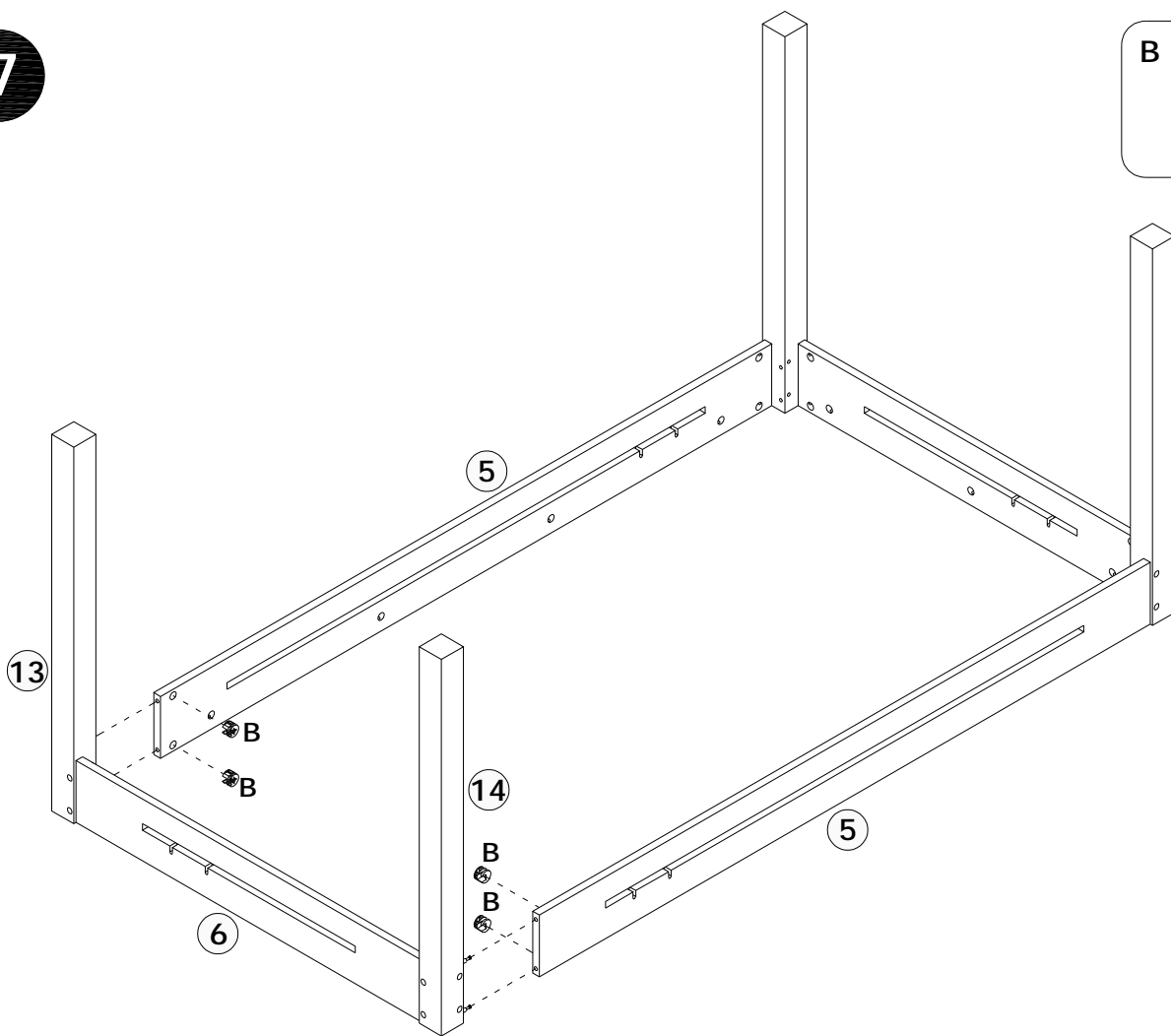
6

B x4



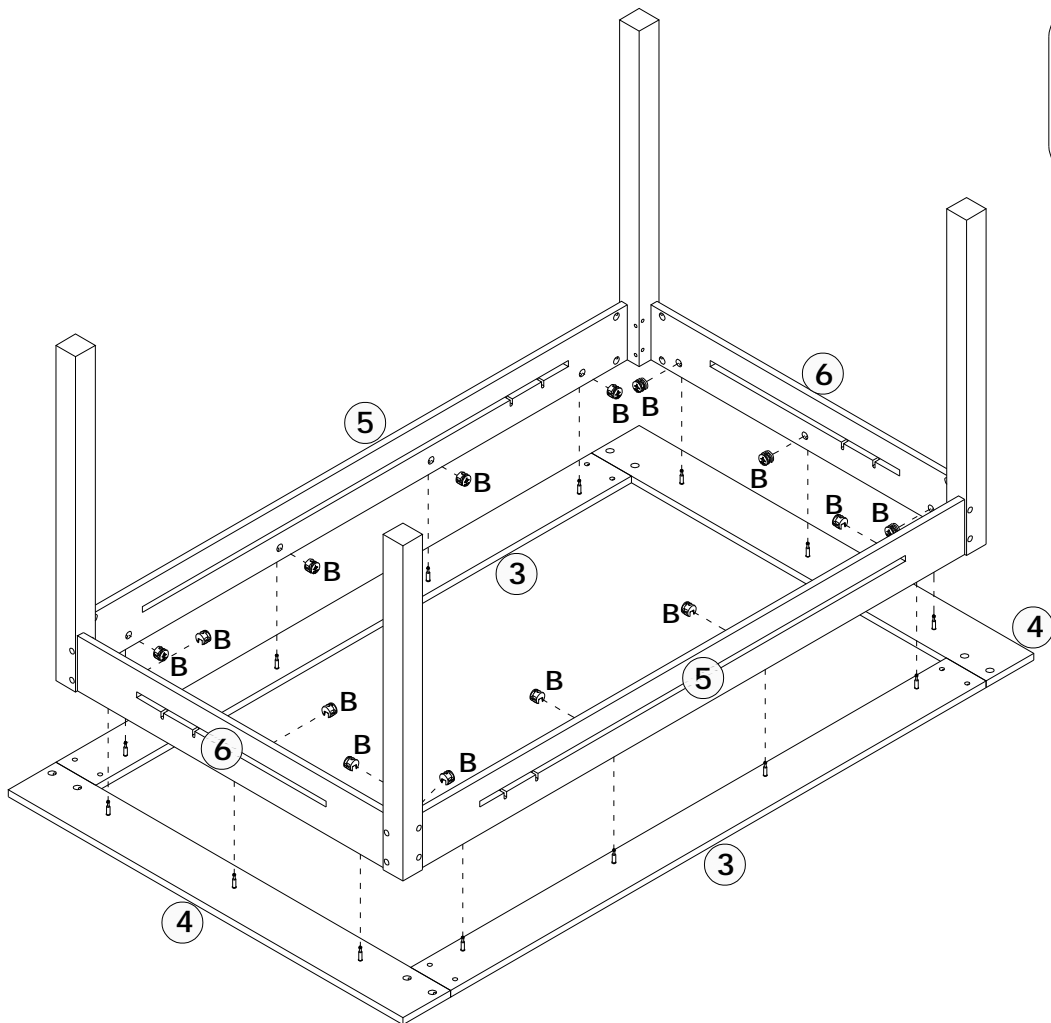
7

B x4

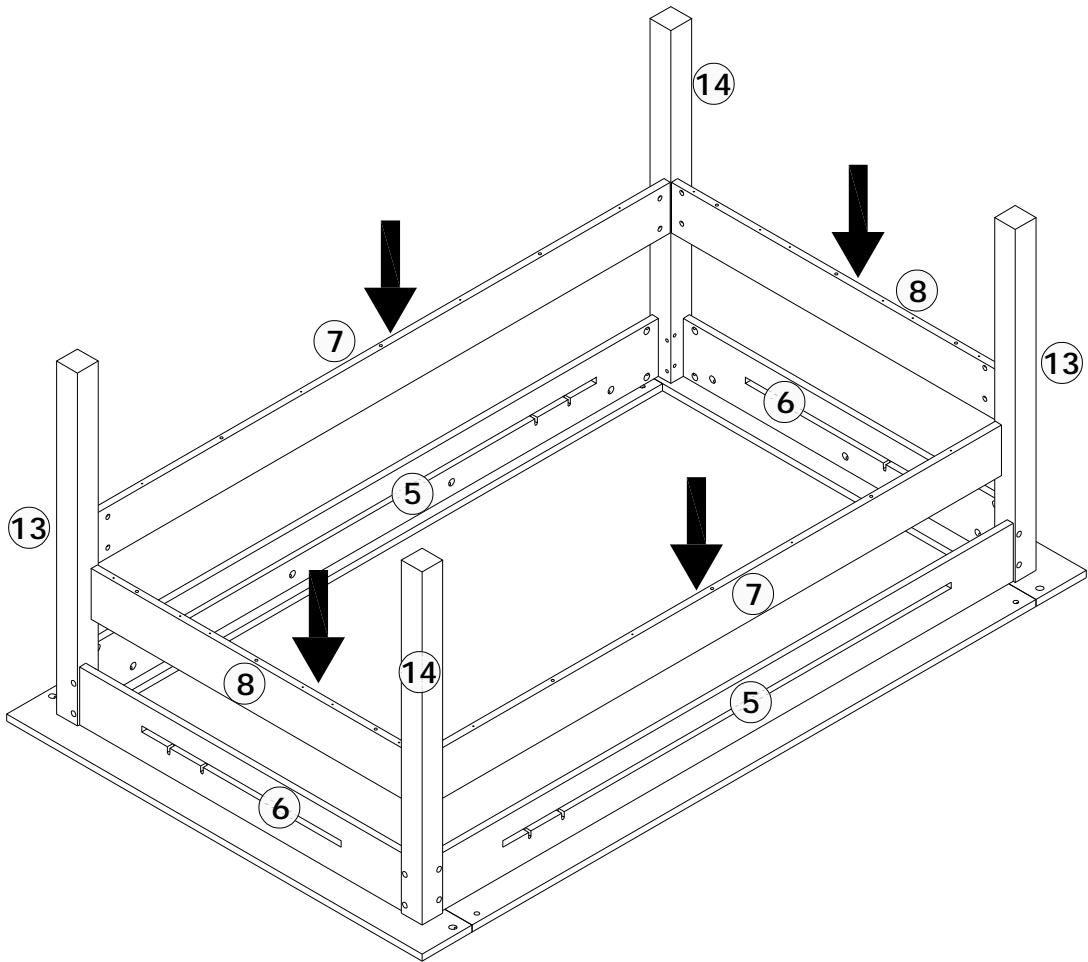


8

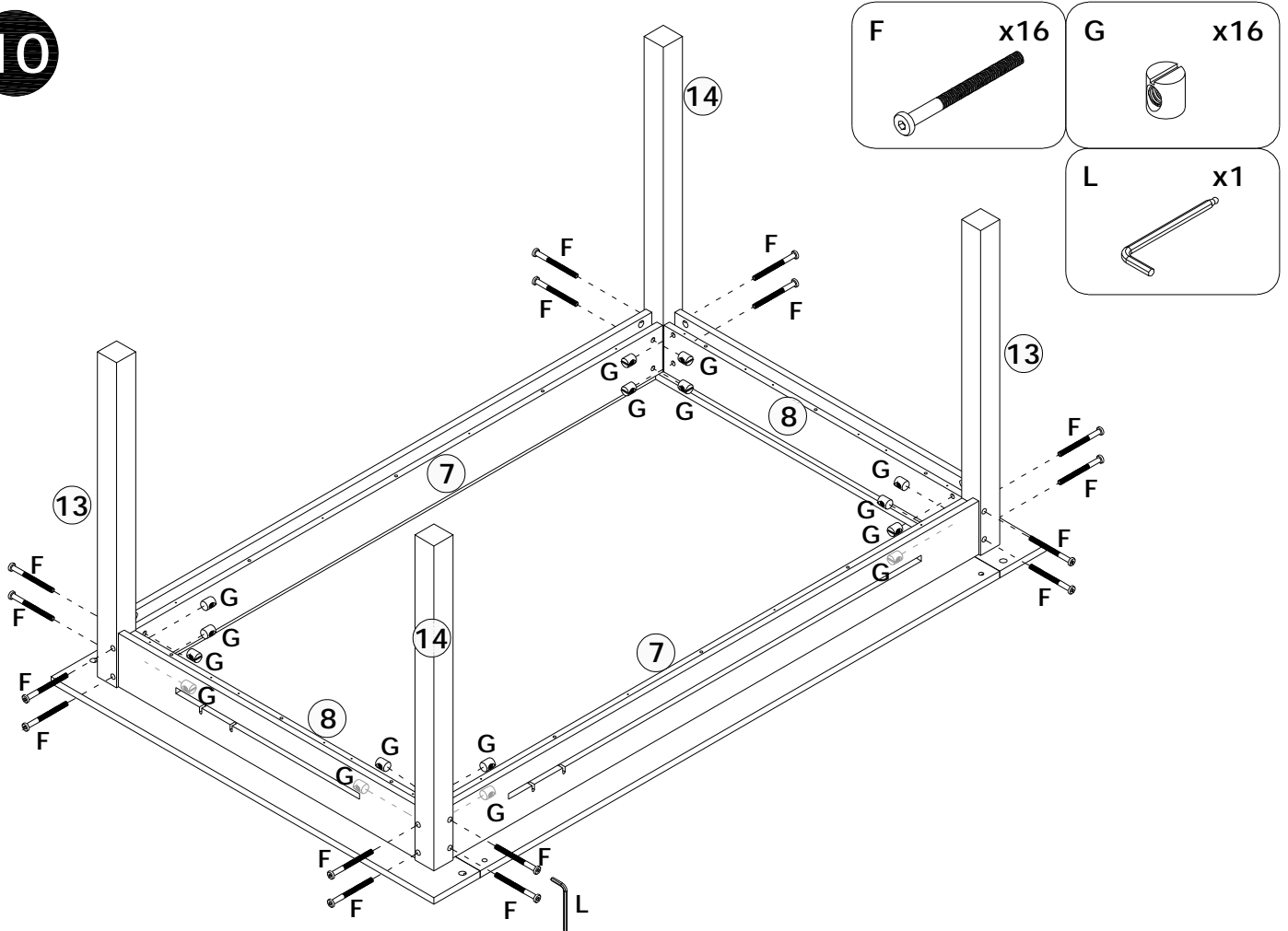
B x14



9

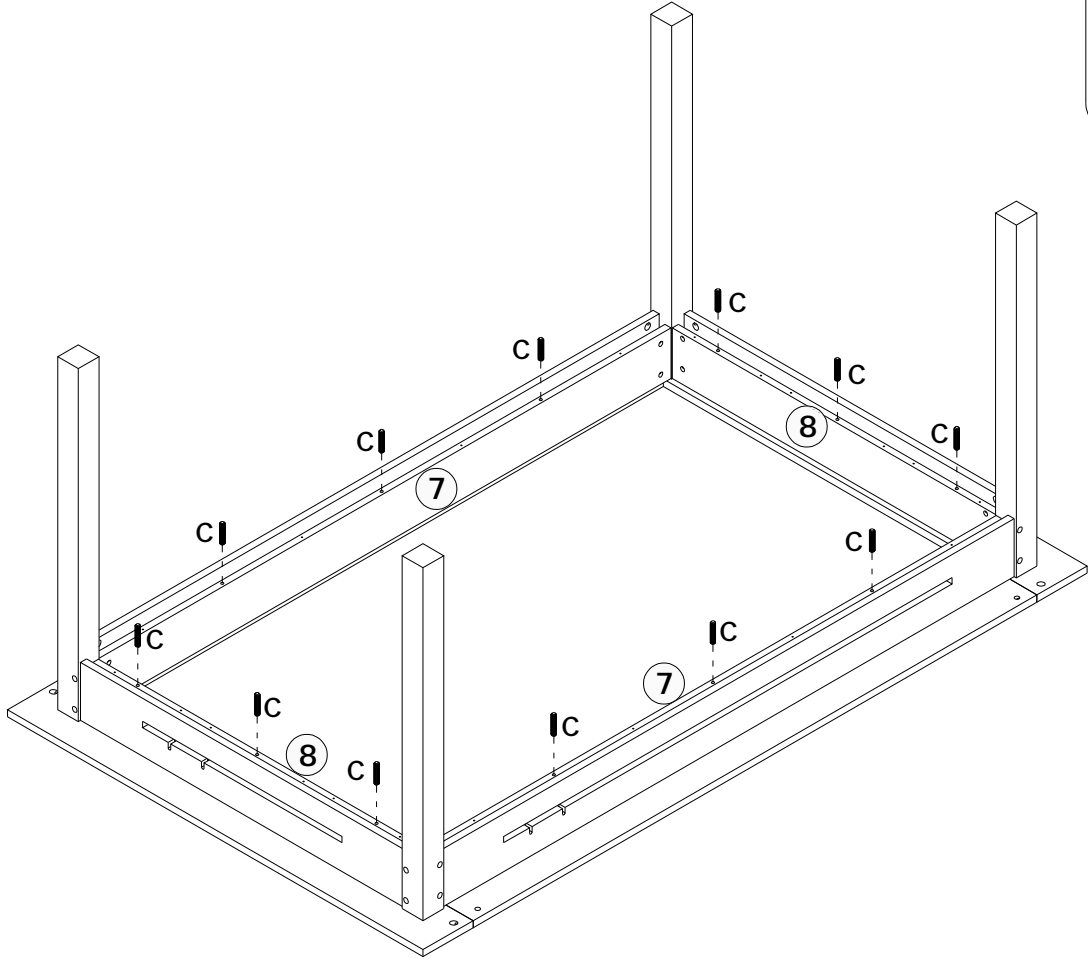
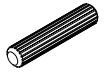


10

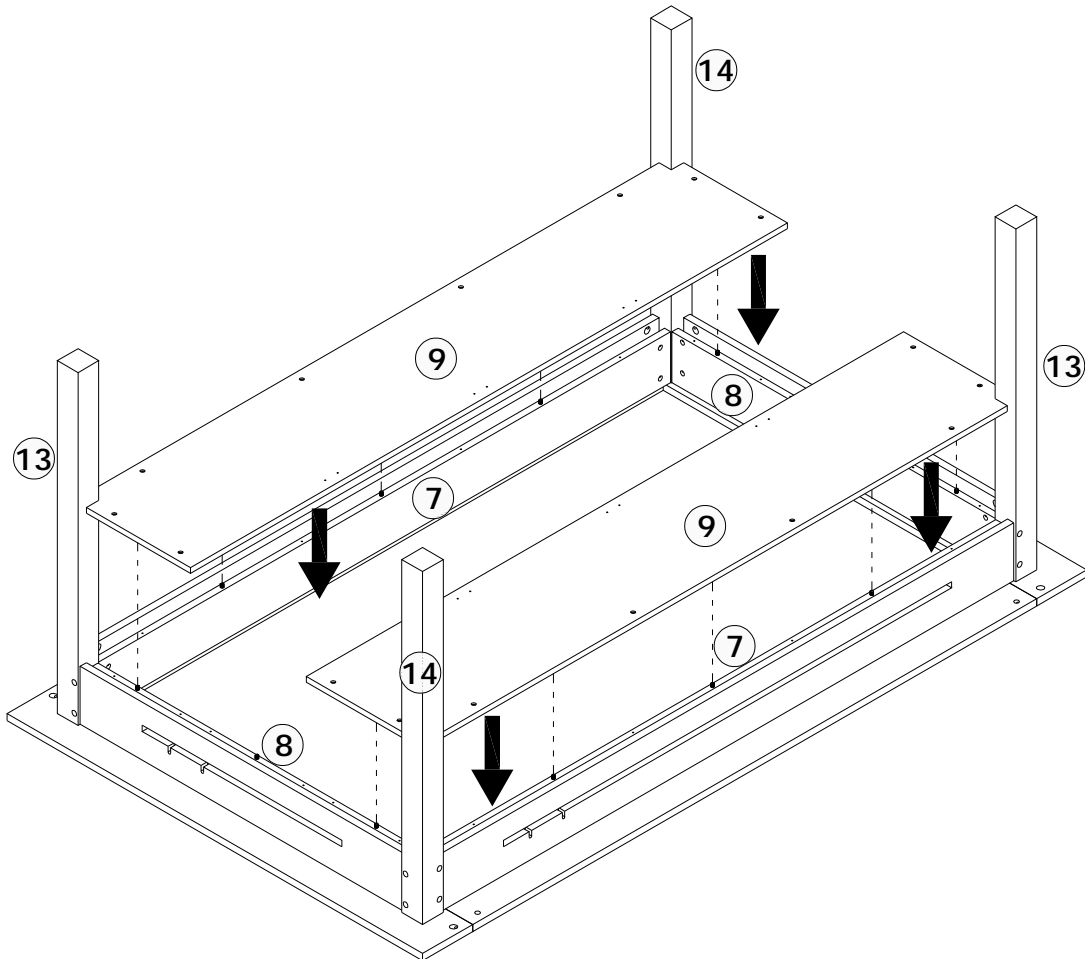


11

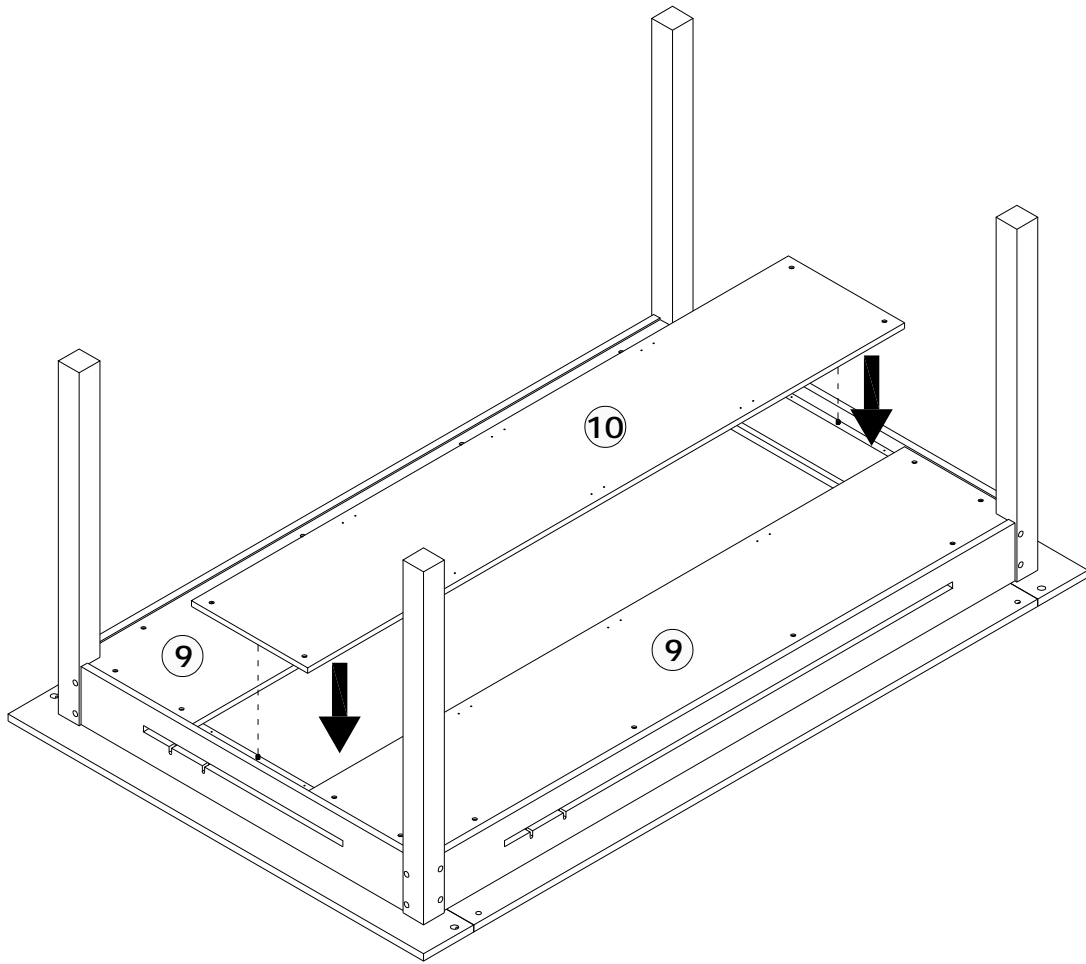
C x12



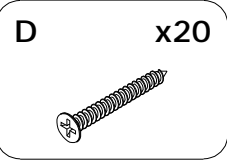
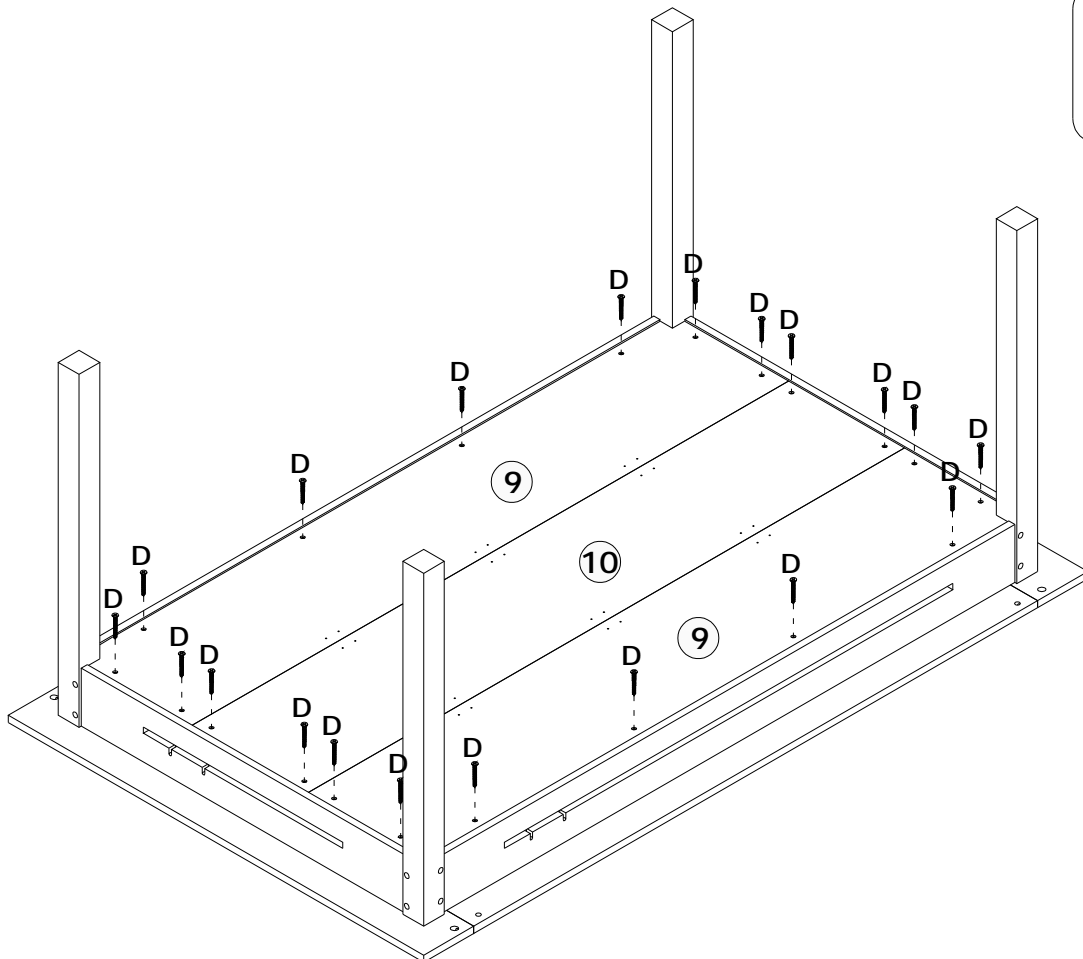
12



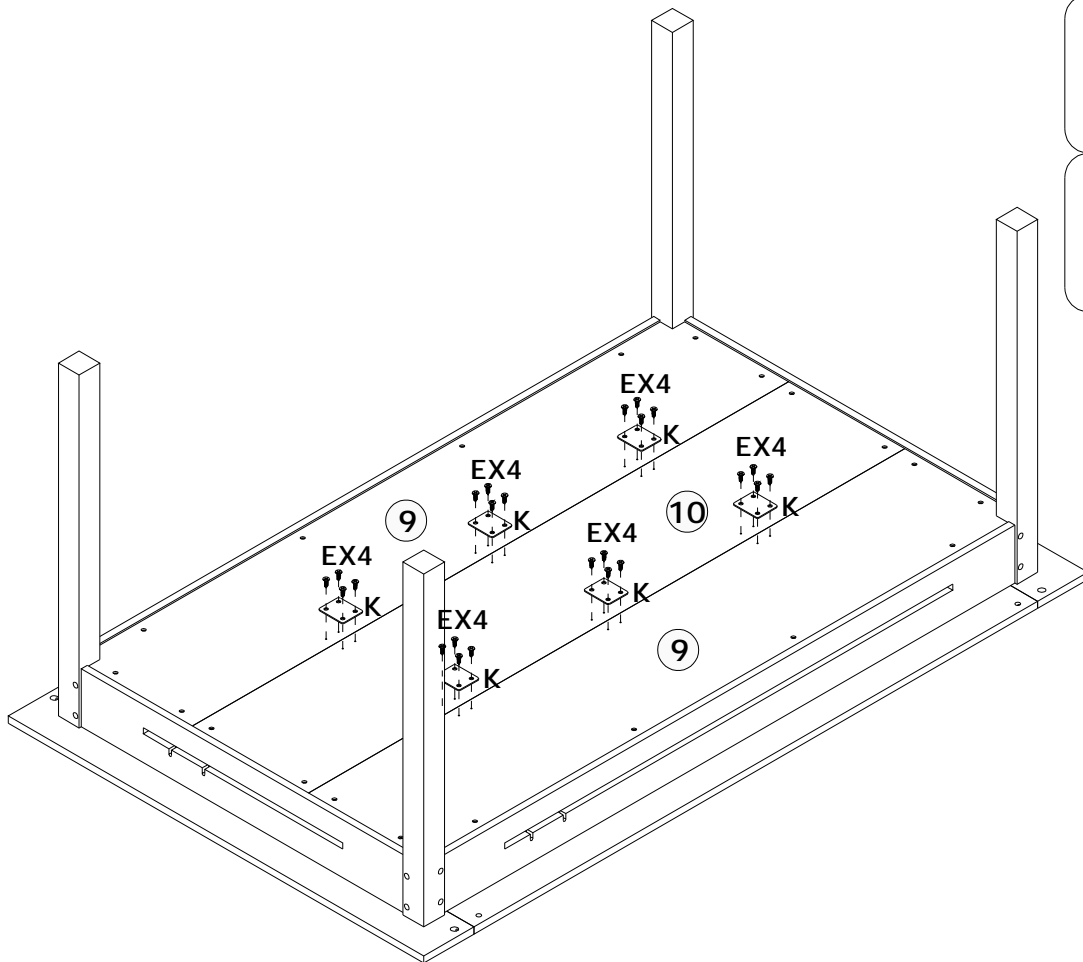
13



14



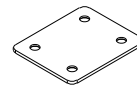
15



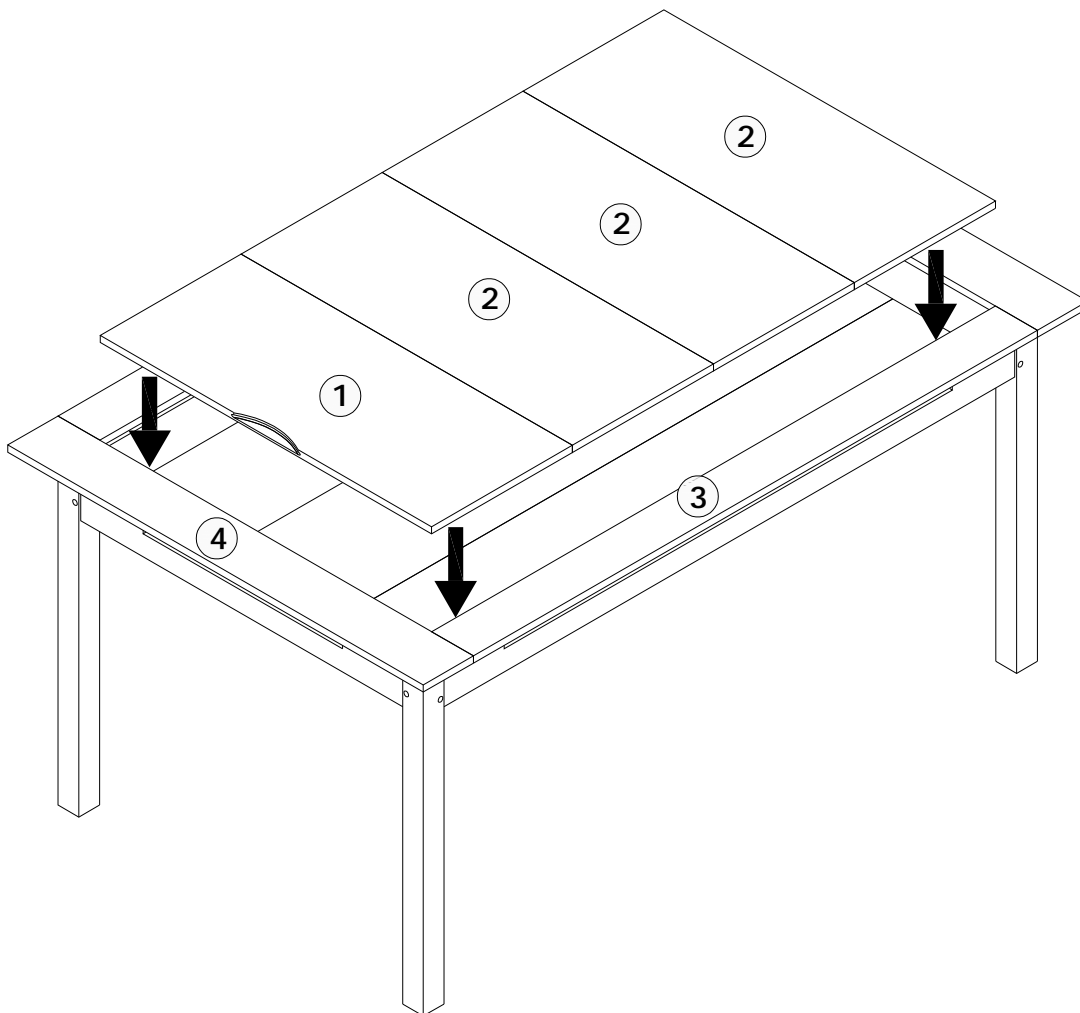
E x24



K x6

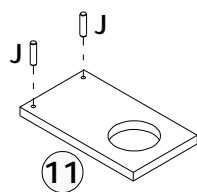
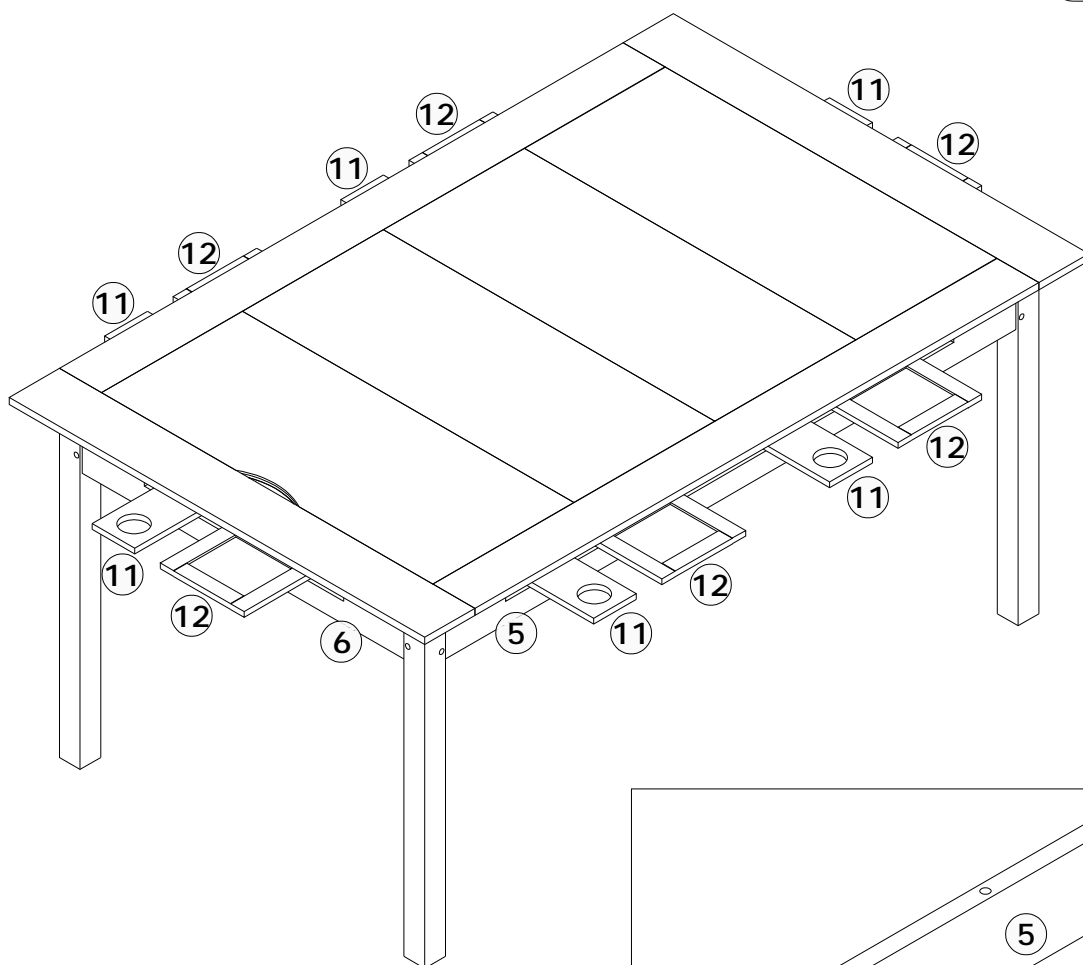


16

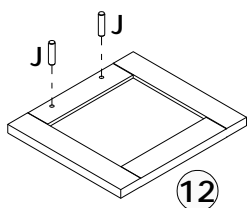


17

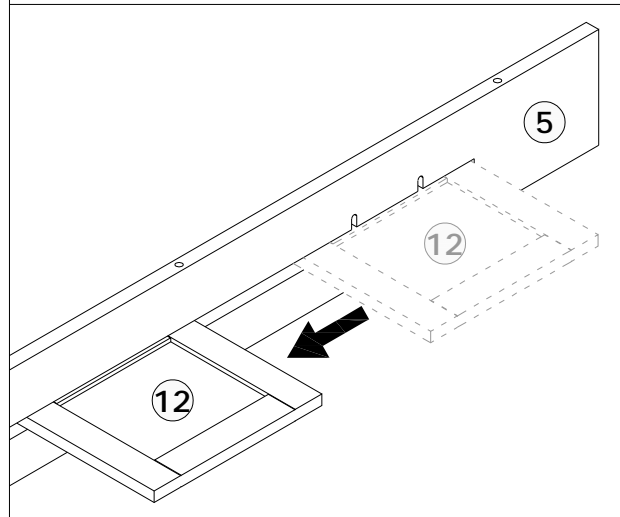
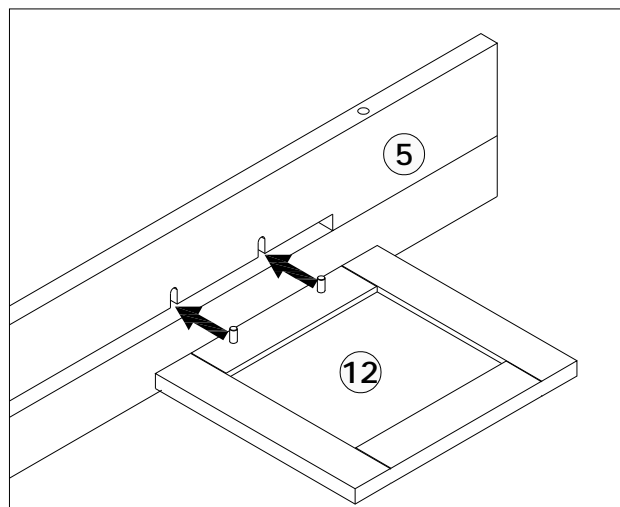
J x24



X6



X6



18

M x6

