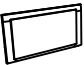

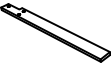
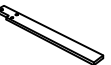

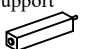






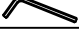



ASSEMBLY INSTRUCTIONS

MODEL : 0407A
B780 E. KING (4+8)

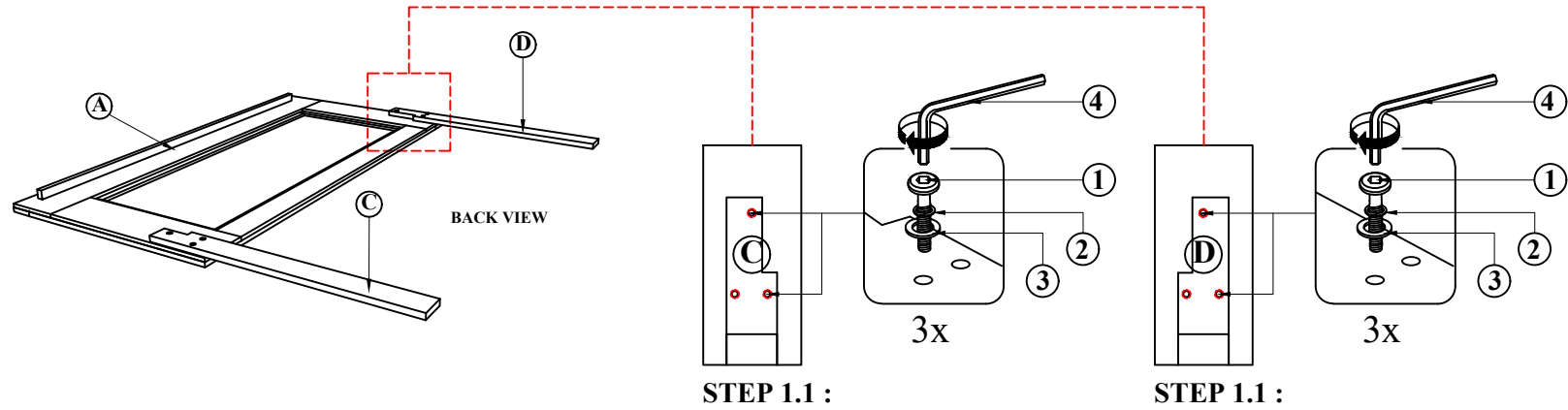
(Box 1)
BOX OF HEADBOARD & FOOTBOARD

No	ITEM	Qty
A	Headboard 	1 pc
B	Footboard 	1 pc
C	Headboard Leg L 	1 pc
D	Headboard Leg R 	1 pc
E	Bed Slat 	4 pcs
F	Bed Slat Support 	8 pcs
G	Side Rails 	2 pcs

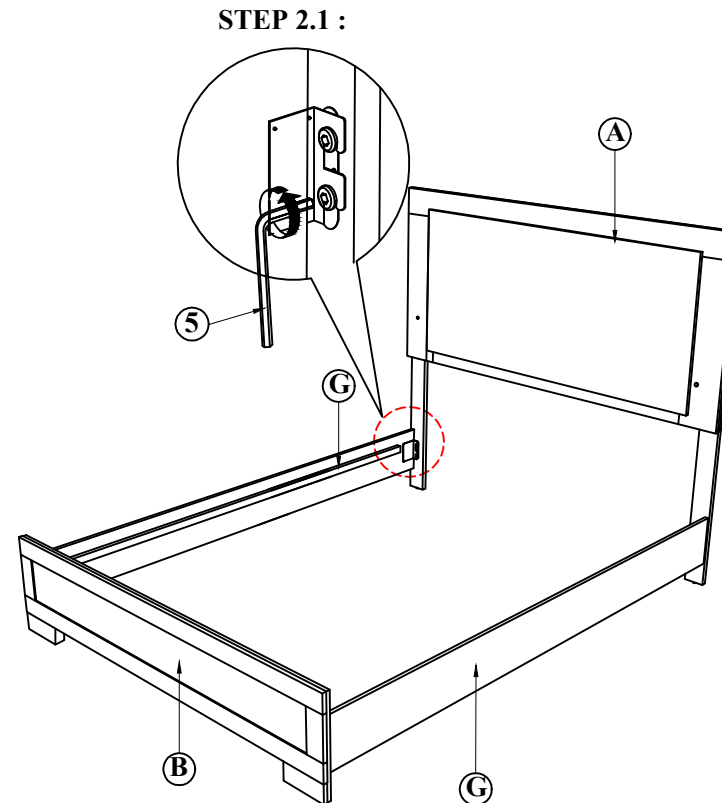
(Box 1)
HARDWARE LIST

No	ITEM	Qty
1	JCBC M6 x 30mm 	6 pcs
2	SPRING WASHER 1/4" Rbw 	6 pcs
3	Flat Washer 1/4"ID x 13mmOD Blk 	6 pcs
4	ALLEN KEY m4x65mm Blk 	1 pc
5	ALLEN KEY m5x65mm Blk 	1 pc
6	Flat Head Chipboard Screw m4x32mm Rbw 	8 pcs
7	12V+12W+1A Adaptor x 1 With ETL Certificate (US) 	1 pc

STEP 1.1 Attach Head Board Leg (C) and (D)L to Head Board (A) as shown. using JCBC BOLT(1)with Spring Washer (2), Flat washer (3)and securing with ALLEN KEY (4).

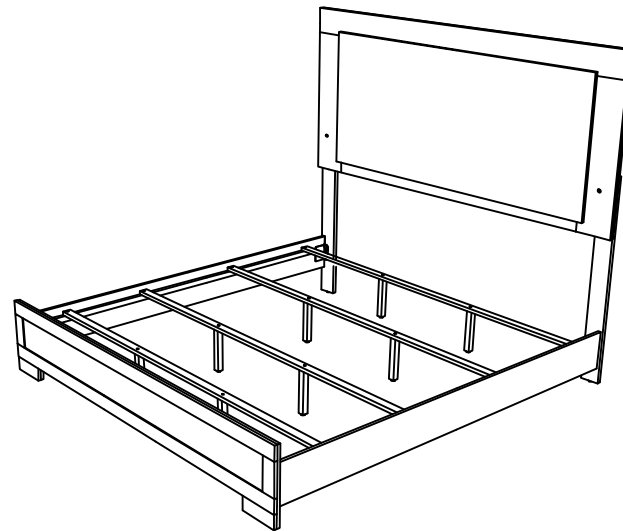
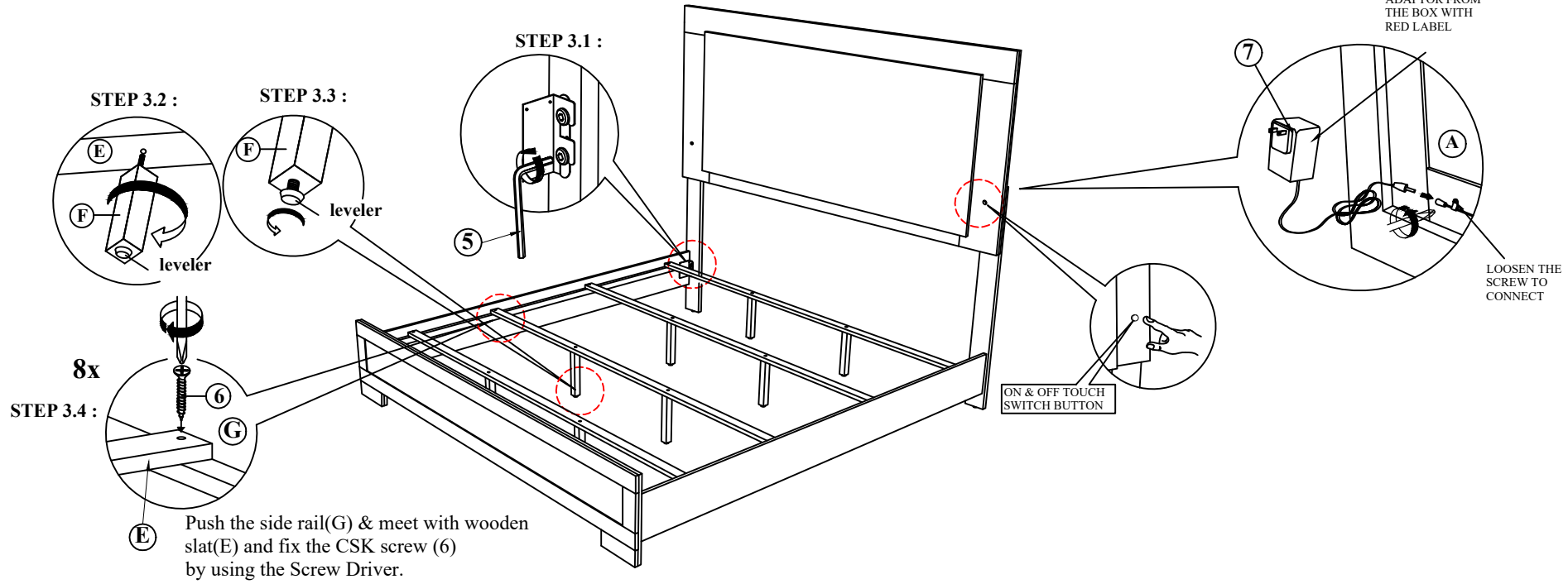


STEP 2 : Loosen the JCBC Bolt from Headboard (A) and Footboard (B) using ALLEN KEY (5). Attach Side Rail (G) to Headboard (A) and Footboard (B) , and push the bracket firmly into place as shown.



ASSEMBLY INSTRUCTIONS

STEP 3 : Tighten the 4 Corner with Allen Key (5). Fix the Bed Slat Support Leg (F), to Bed Slat (E) as shown. Install the bed slat (E) to side rail (G) and tighten with Csk Screw (6) as per diagram shown. (NOTE: THE SETUP MUST BE DONE AT THE DECIDED LOCATION FOR THE BED TO OBTAIN PERFECT STABILITY)



COMPLETE ASSEMBLY