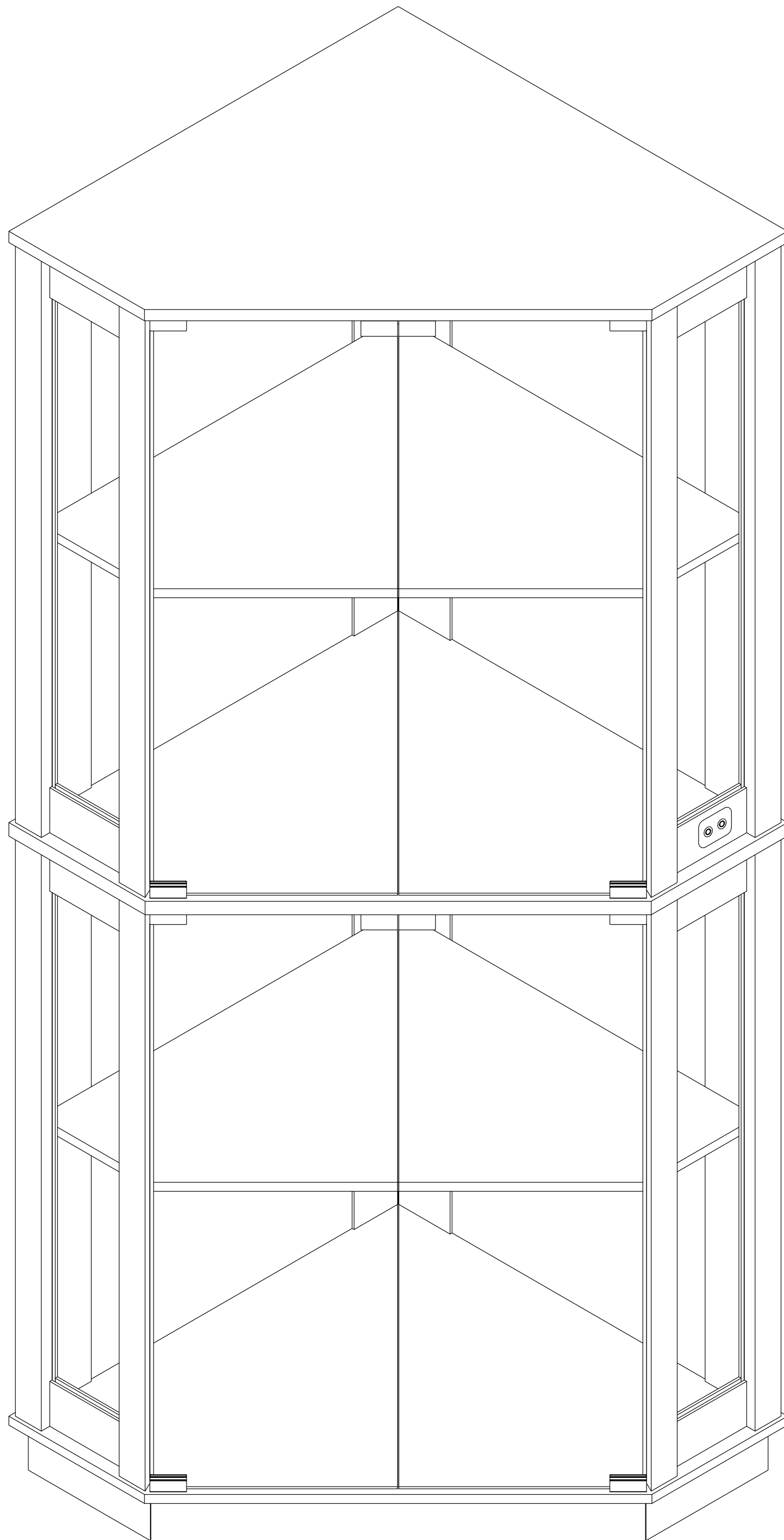
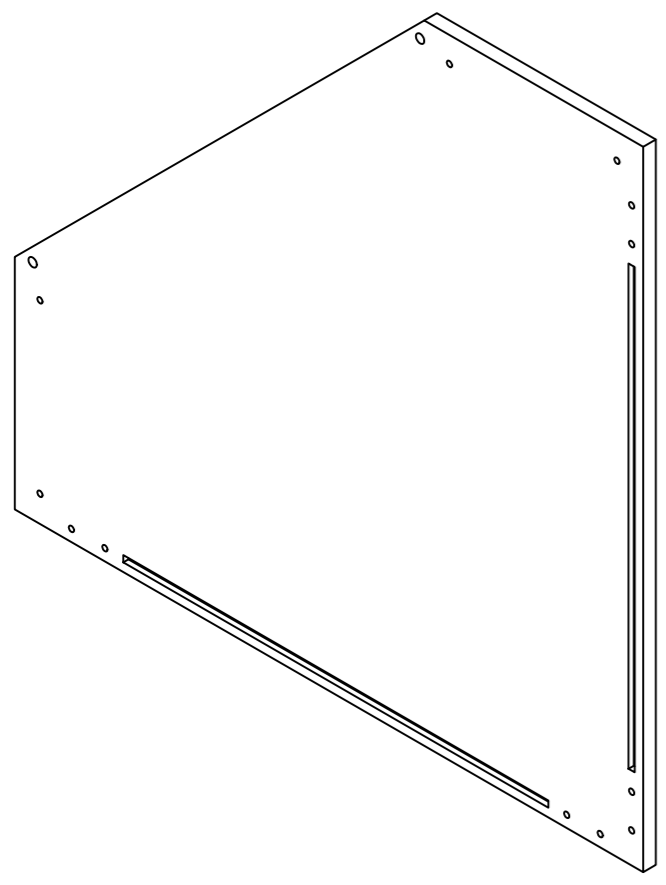
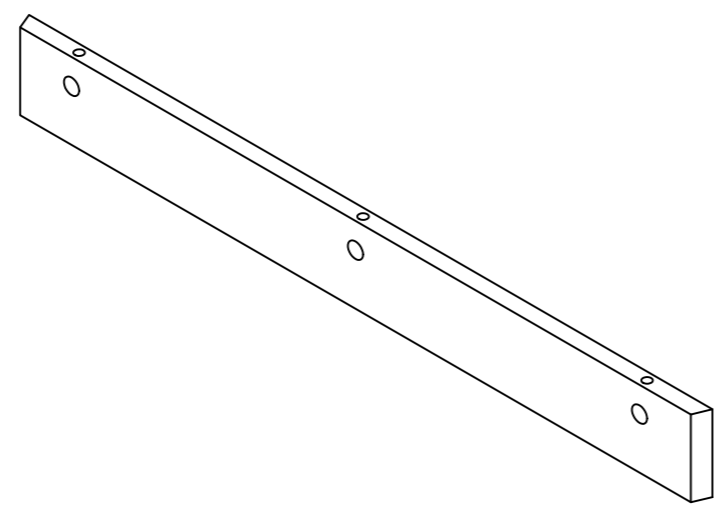


Product Installation Instructions

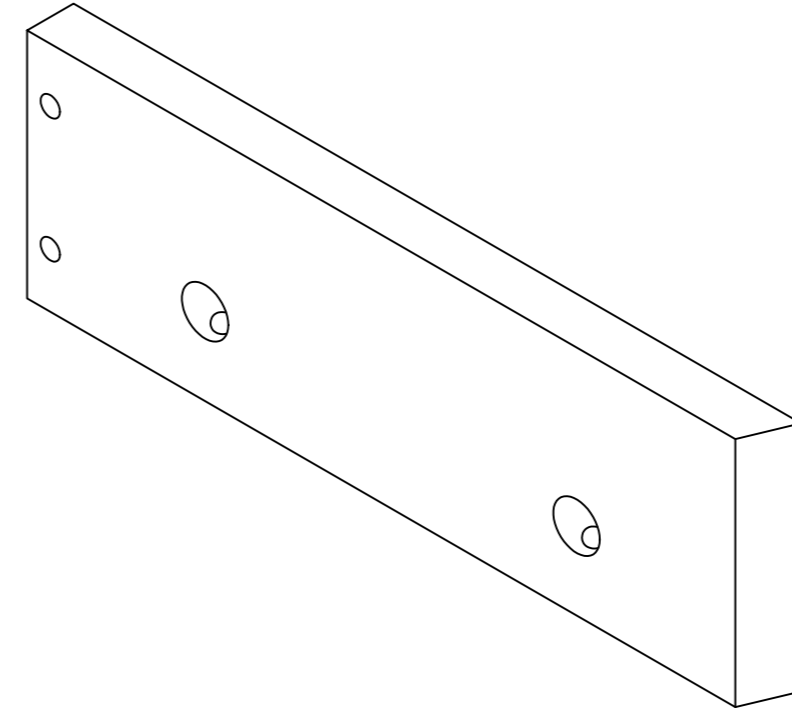




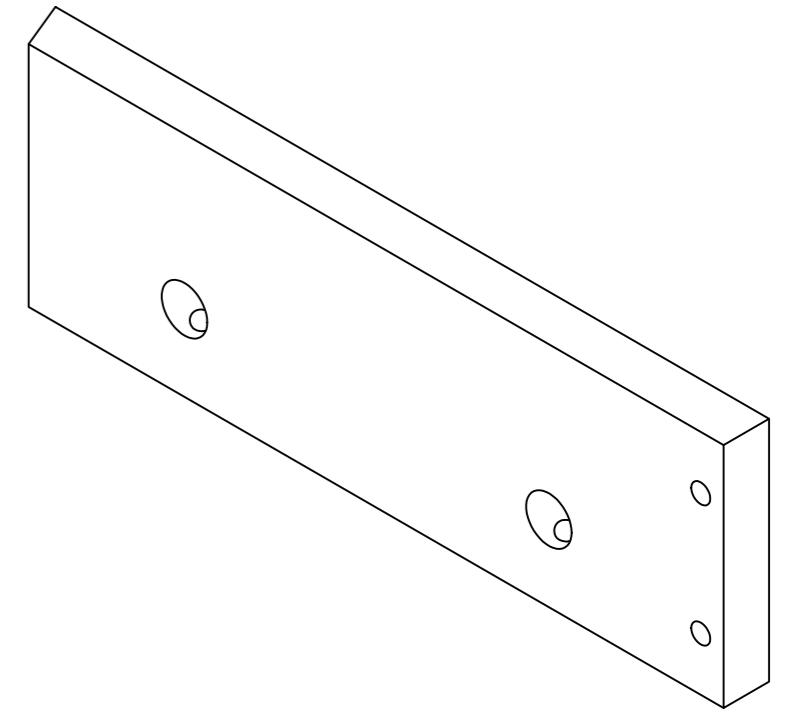
1x1



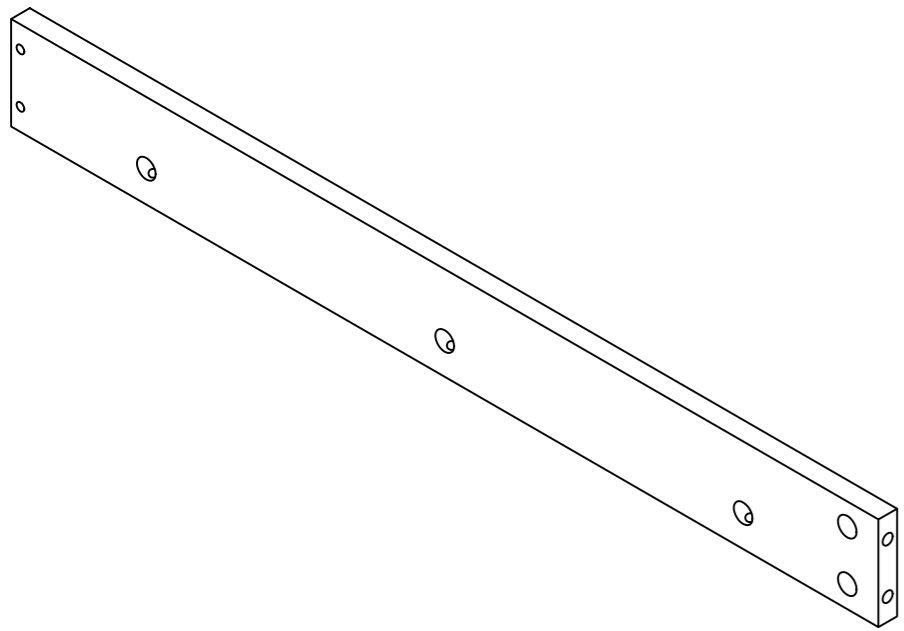
2x1



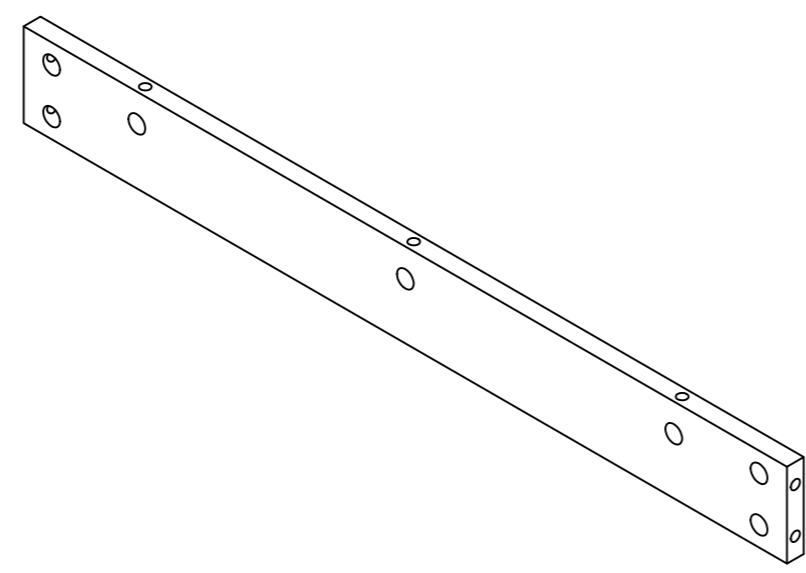
3x1



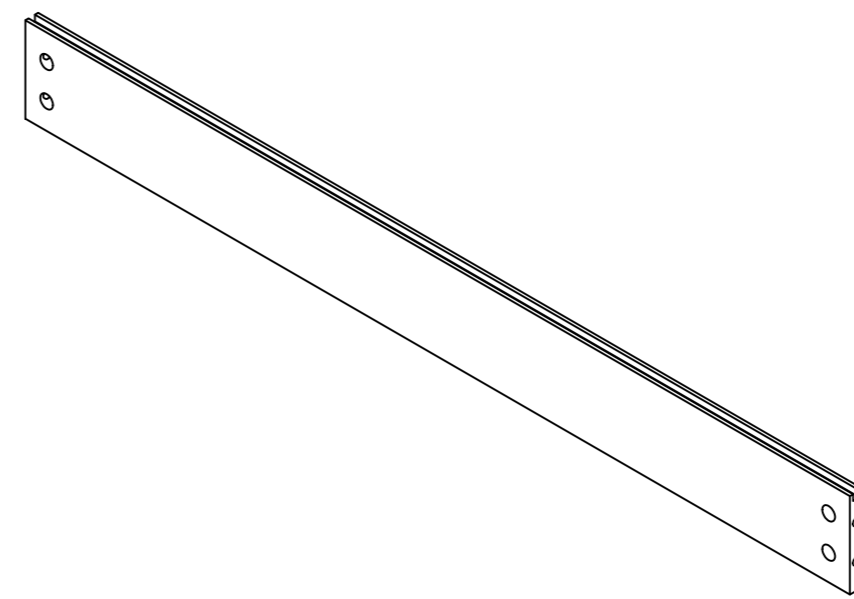
4x1



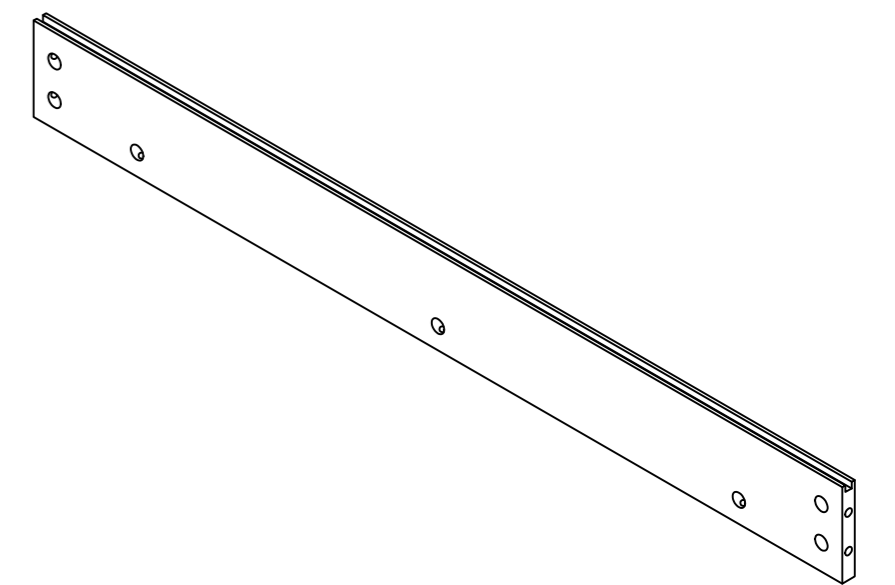
5x1



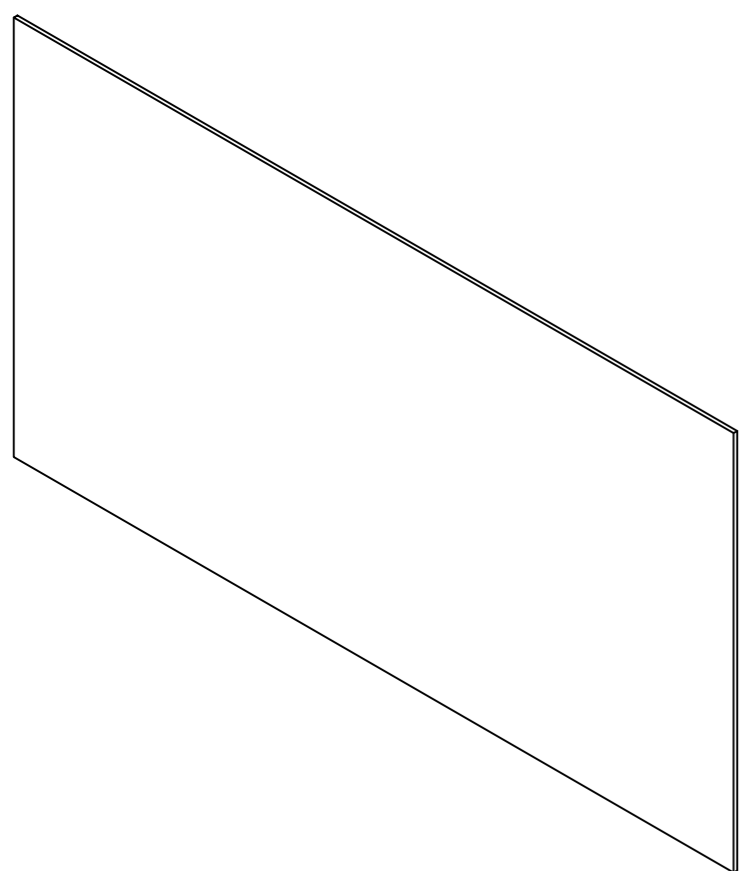
6x1



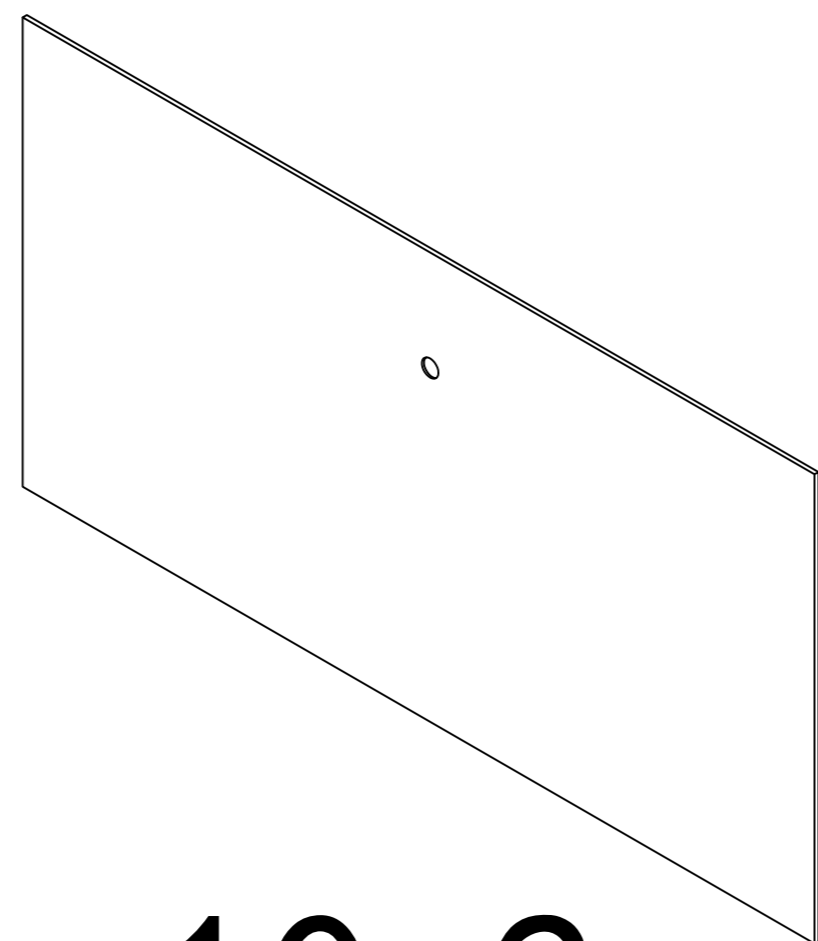
7x2



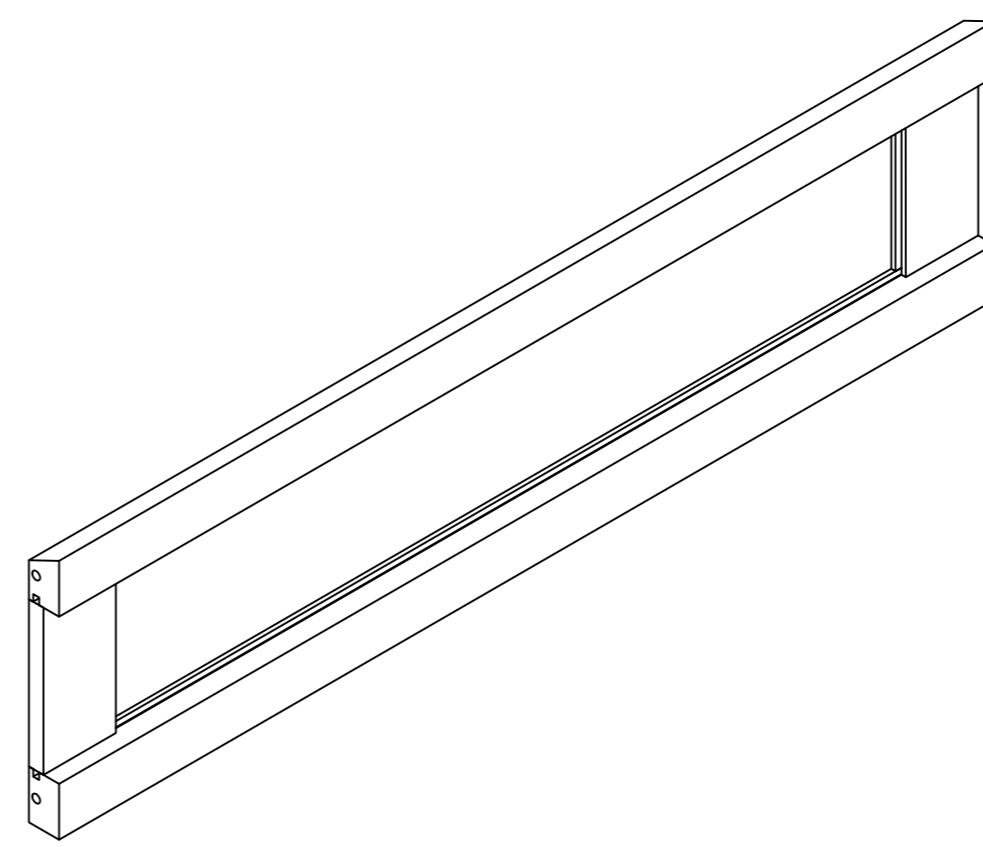
8x6



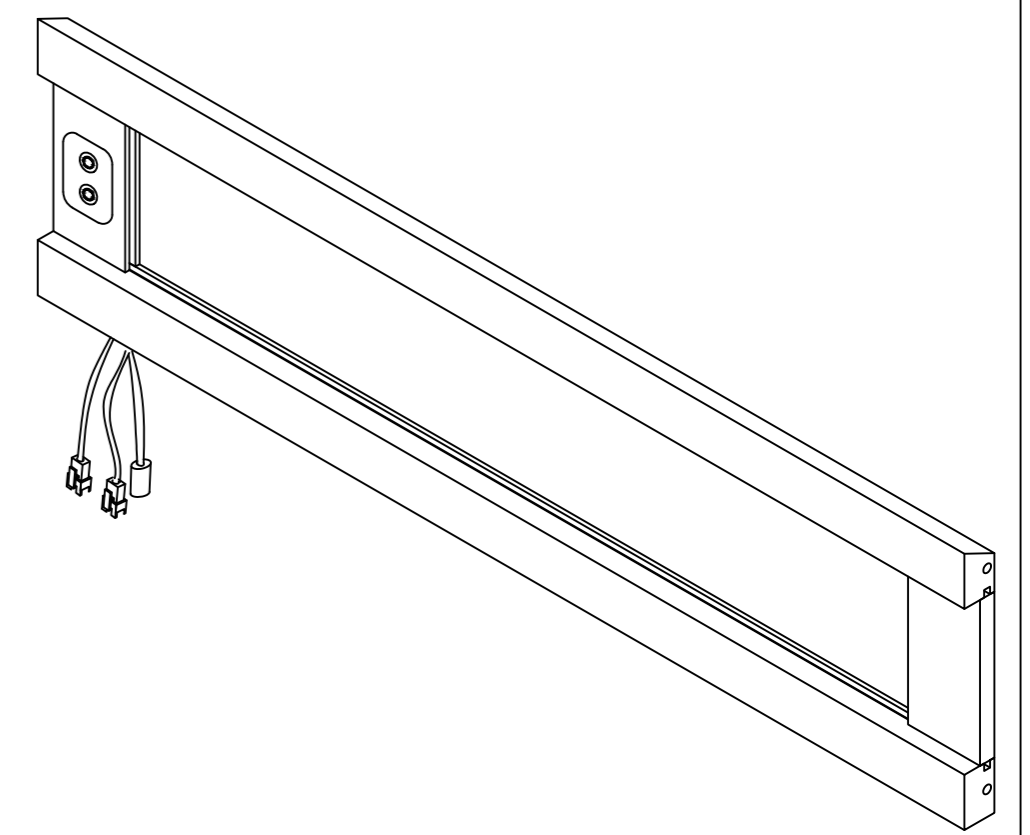
9x2



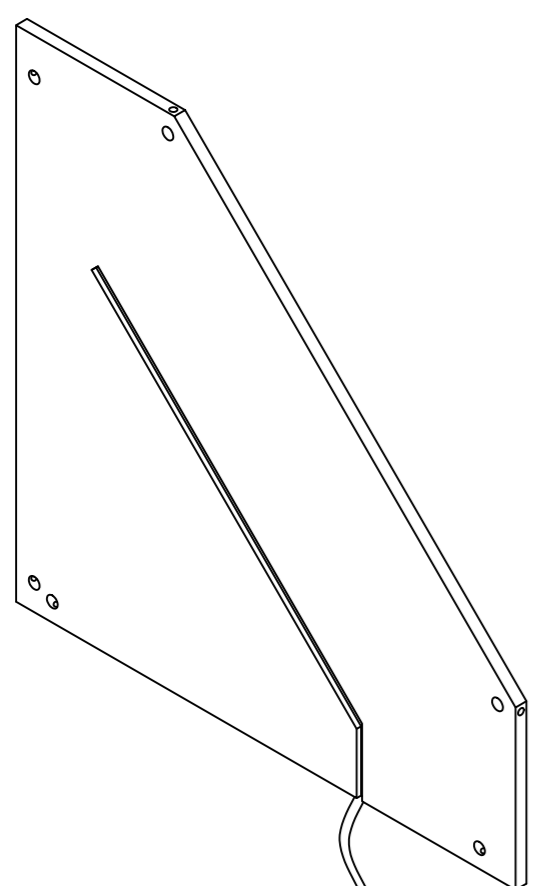
10x2



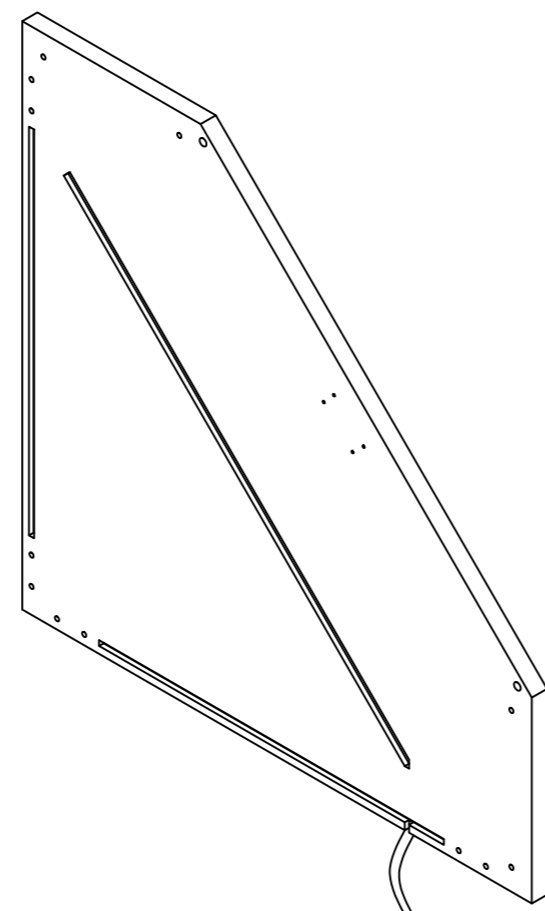
11x3



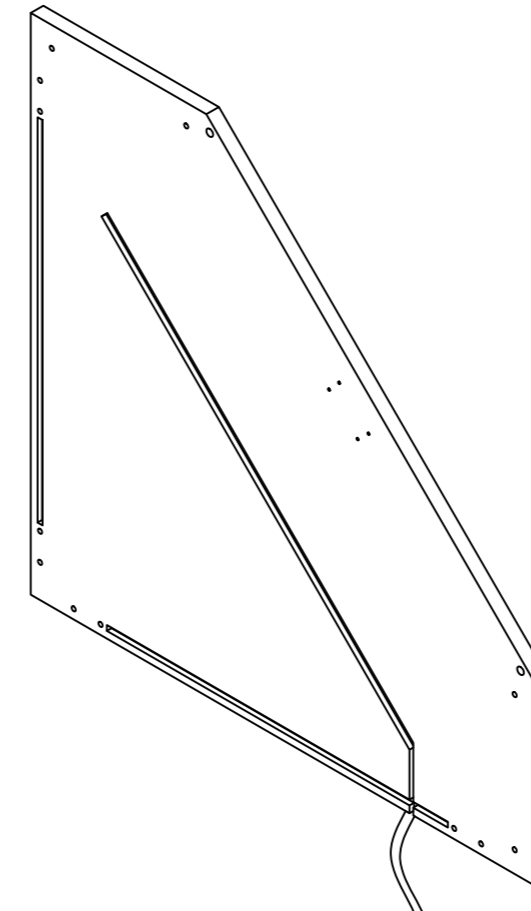
12x1



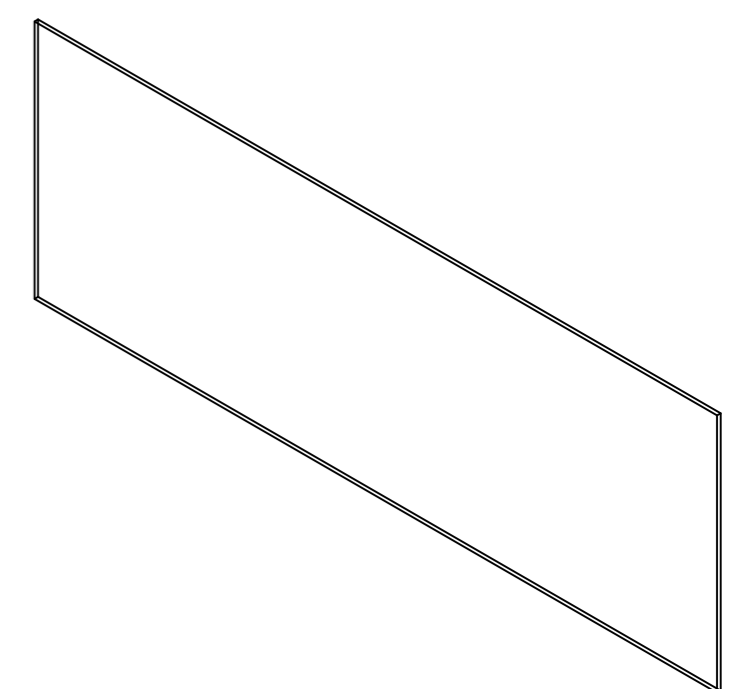
13x2



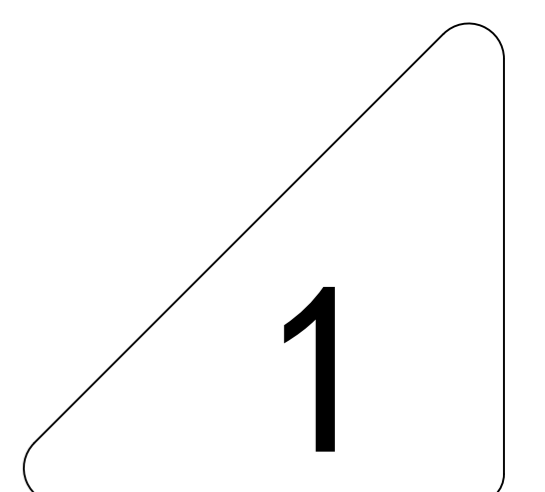
14x1



15x1

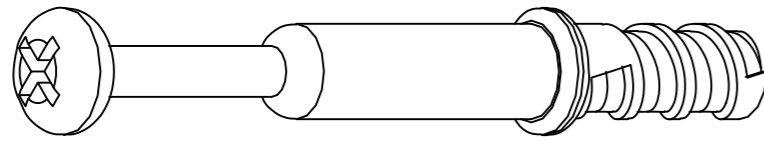
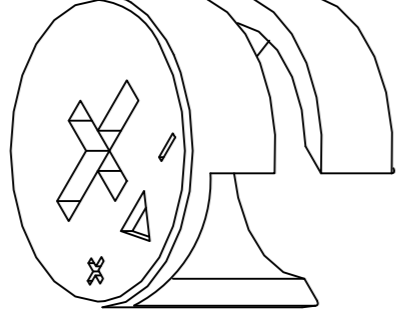
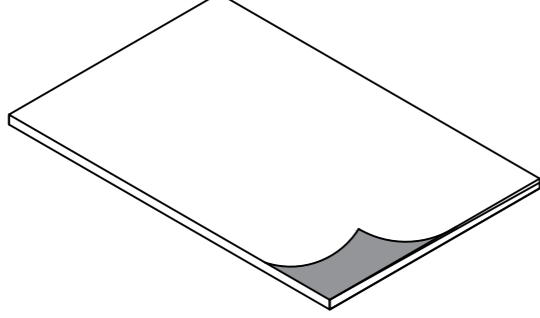
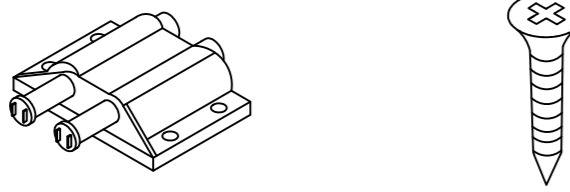
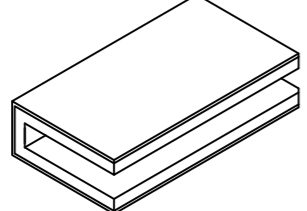
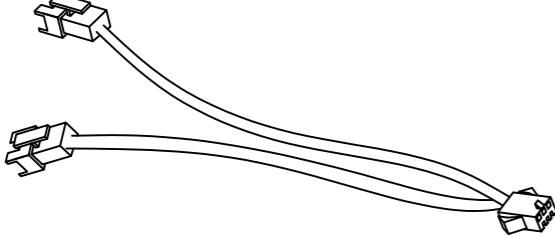
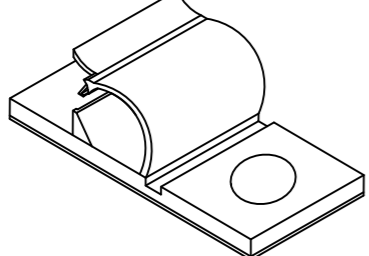
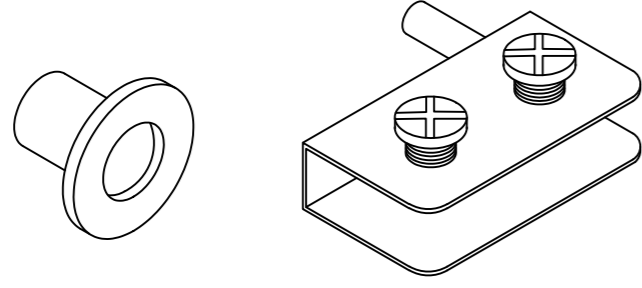
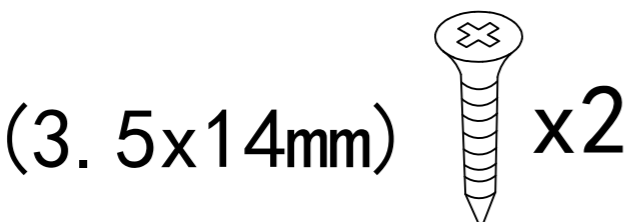

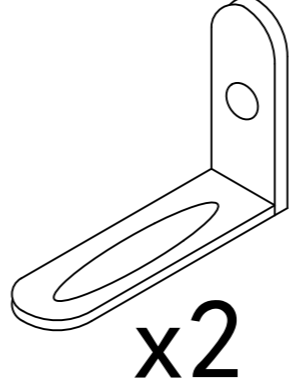

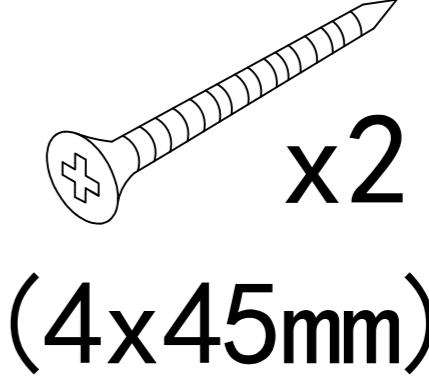
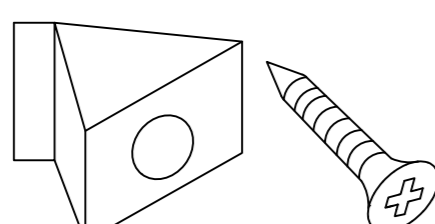
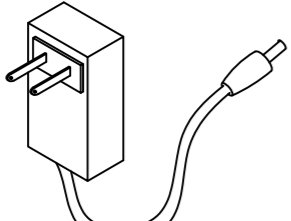


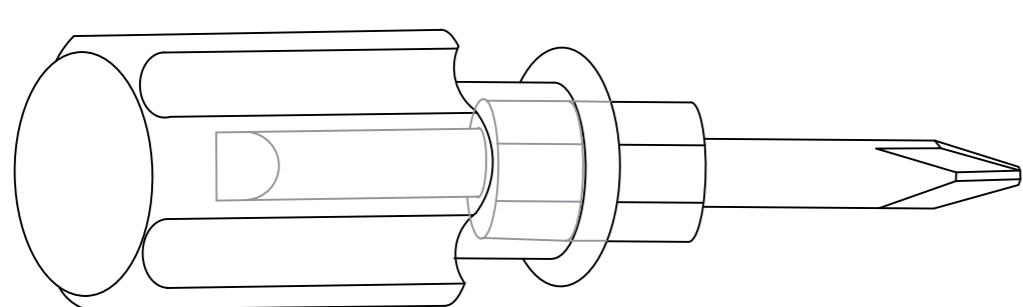
16x4



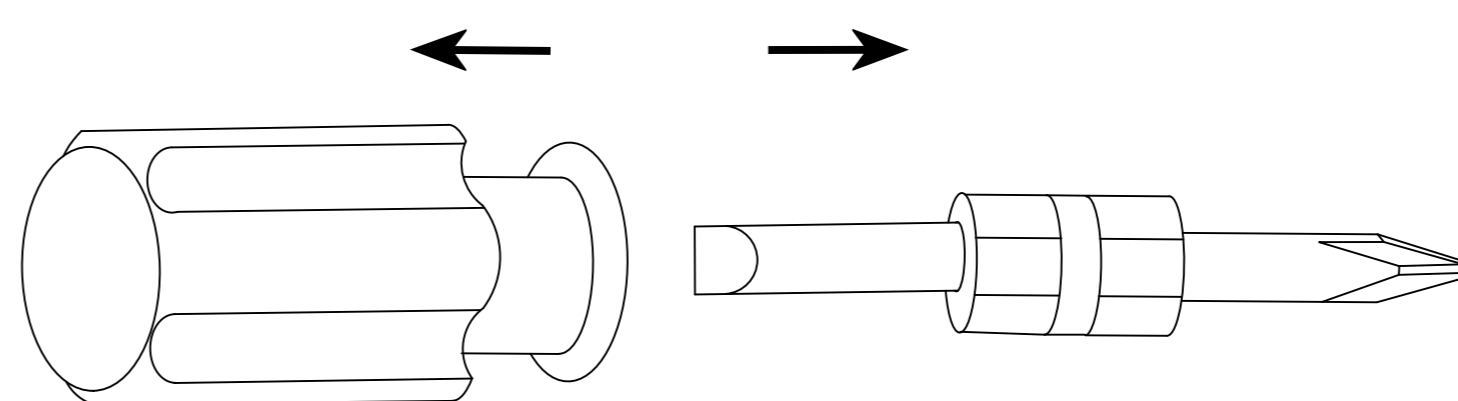
1

Accessories list

A		Two In One Screw (6x28mm)	97pcs +4pcs
B		Two In One Nut (10x12mm)	97pcs +4pcs
C		Non-slip pads	11pcs +1pcs
D	 	Rebound device & Screw (3x16mm) Iron sheet	2pcs 8pcs +2pcs 4pcs
E		Double end connecting line	2pcs
F		Wire clamp	6pcs +2pcs
G		Hinge	8pcs
H	    		
I		Fixing clip & screw (3x16mm)	16pcs +2pcs
		AC/DC Adapter (12V=3.0A)	1pcs



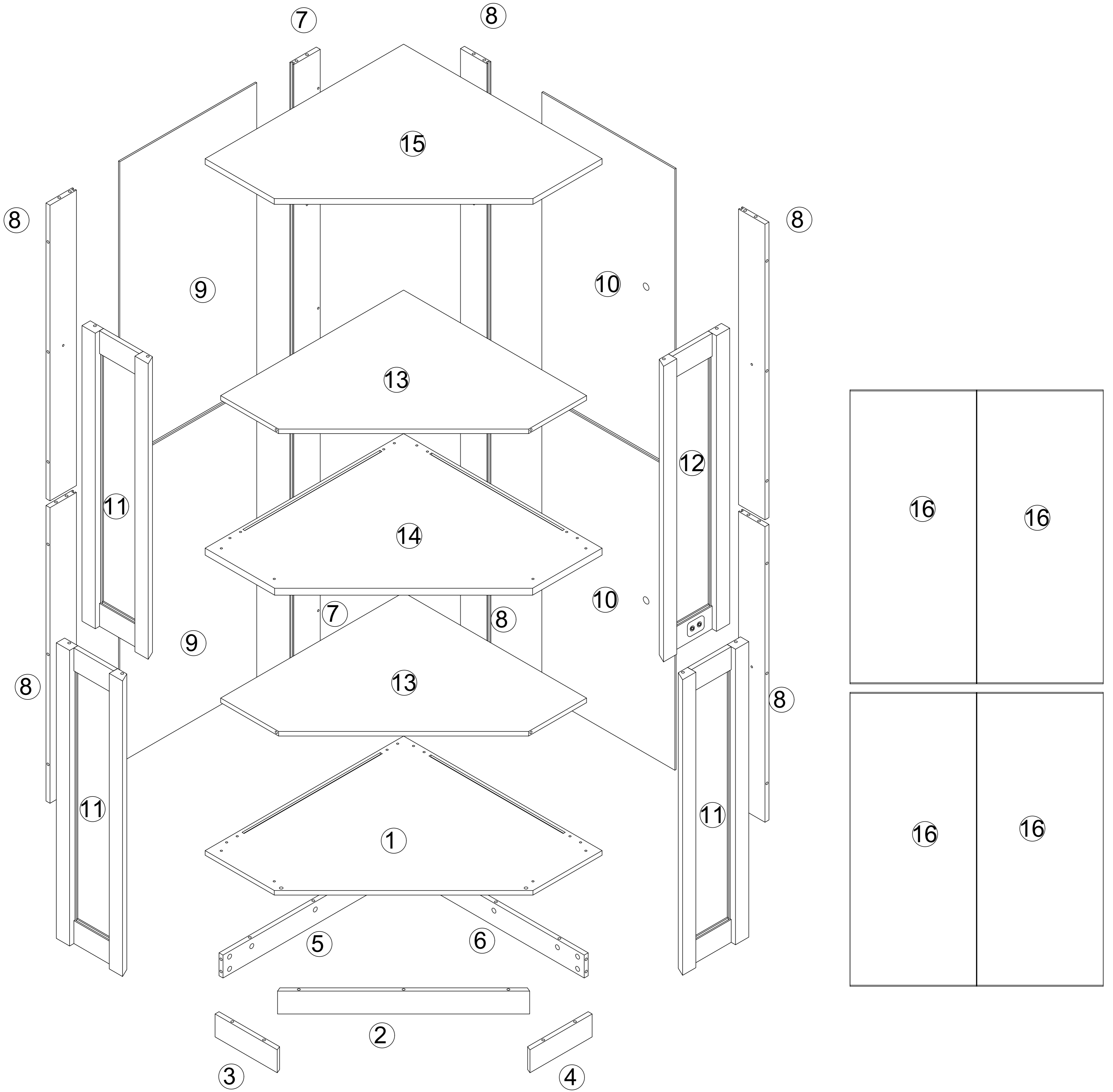
1pcs

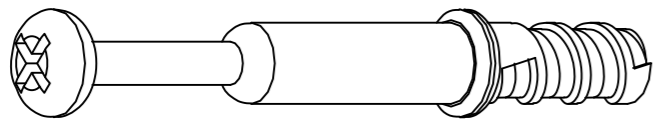
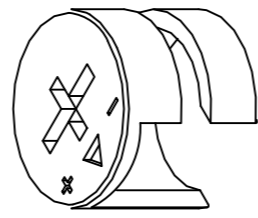
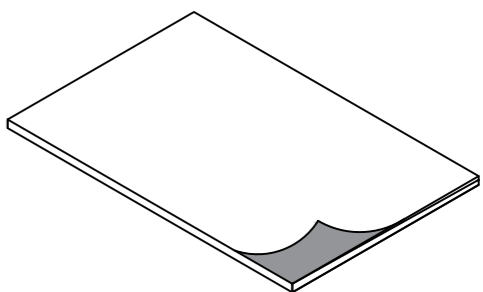
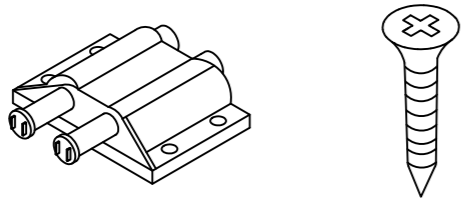
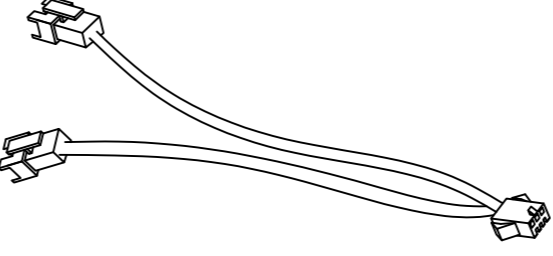
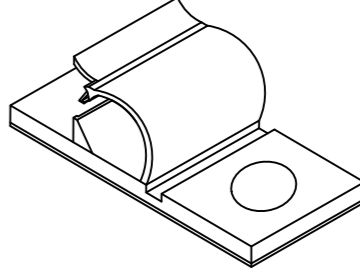
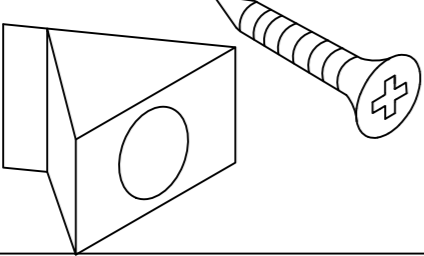


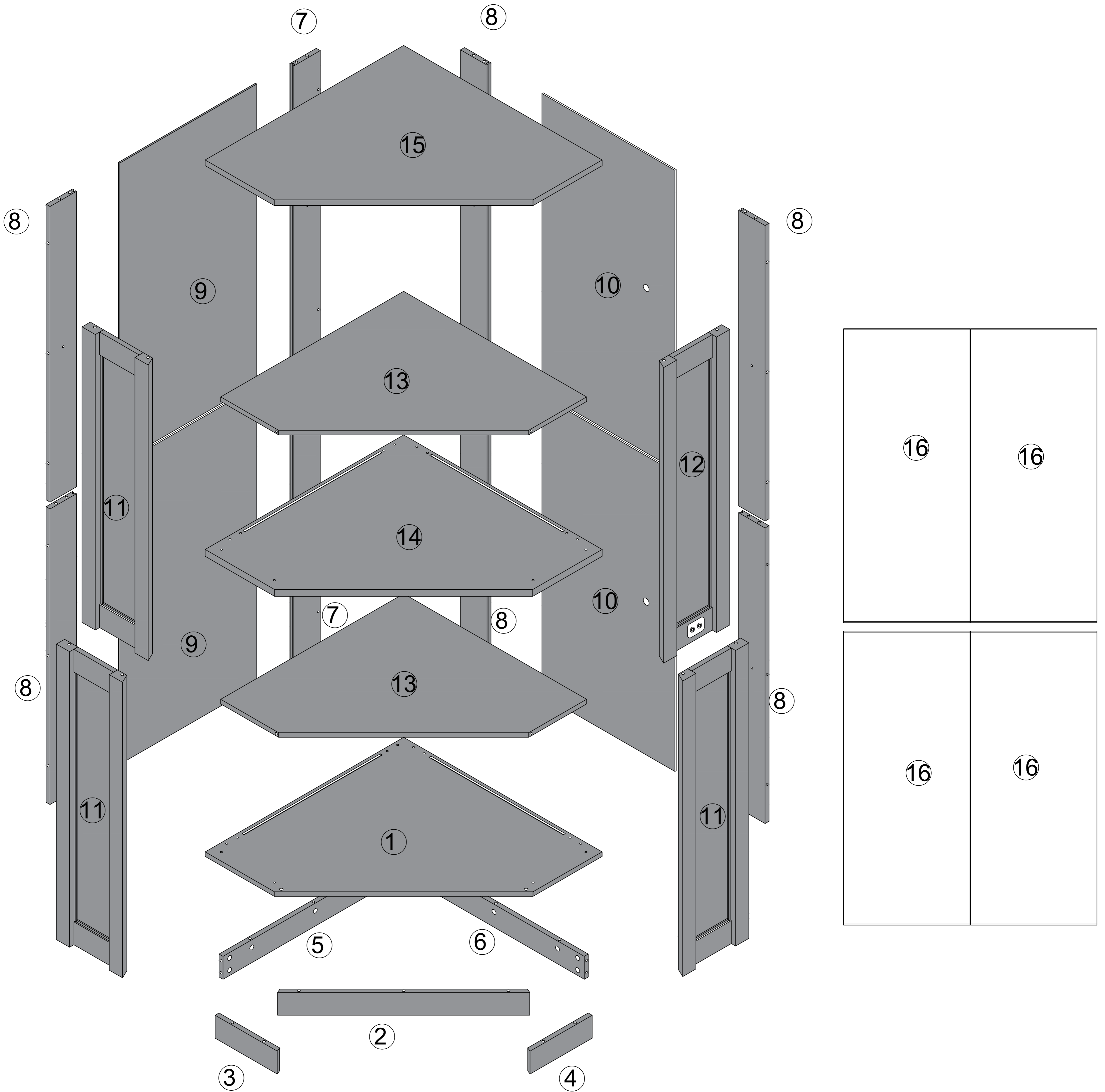
Double-head screwdriver, use as required

2

Product Explosion diagram

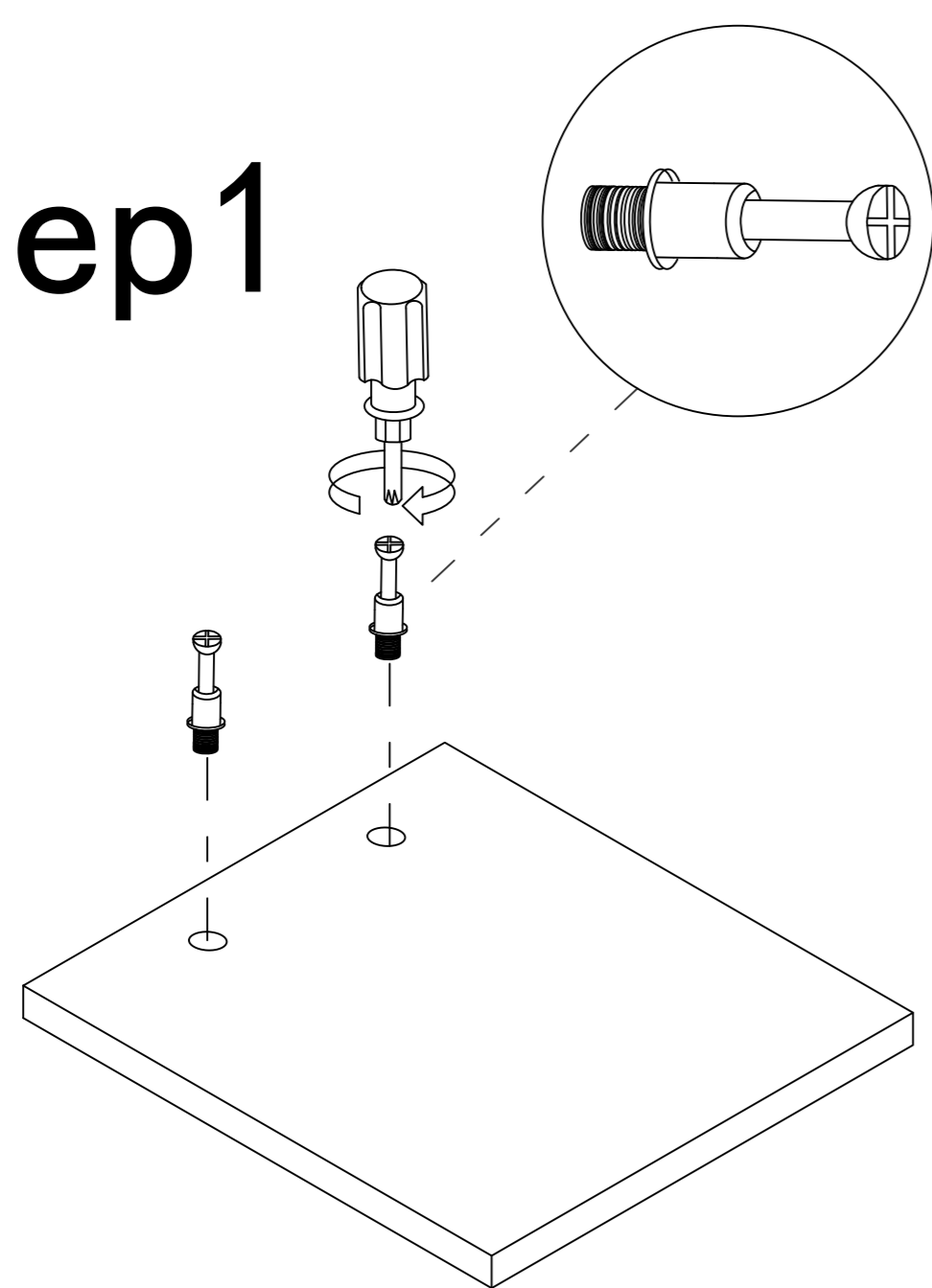


A		28pcs	B		28pcs	C		4pcs
D		2pcs 8pcs	E		2pcs	F		6pcs
I		16pcs						

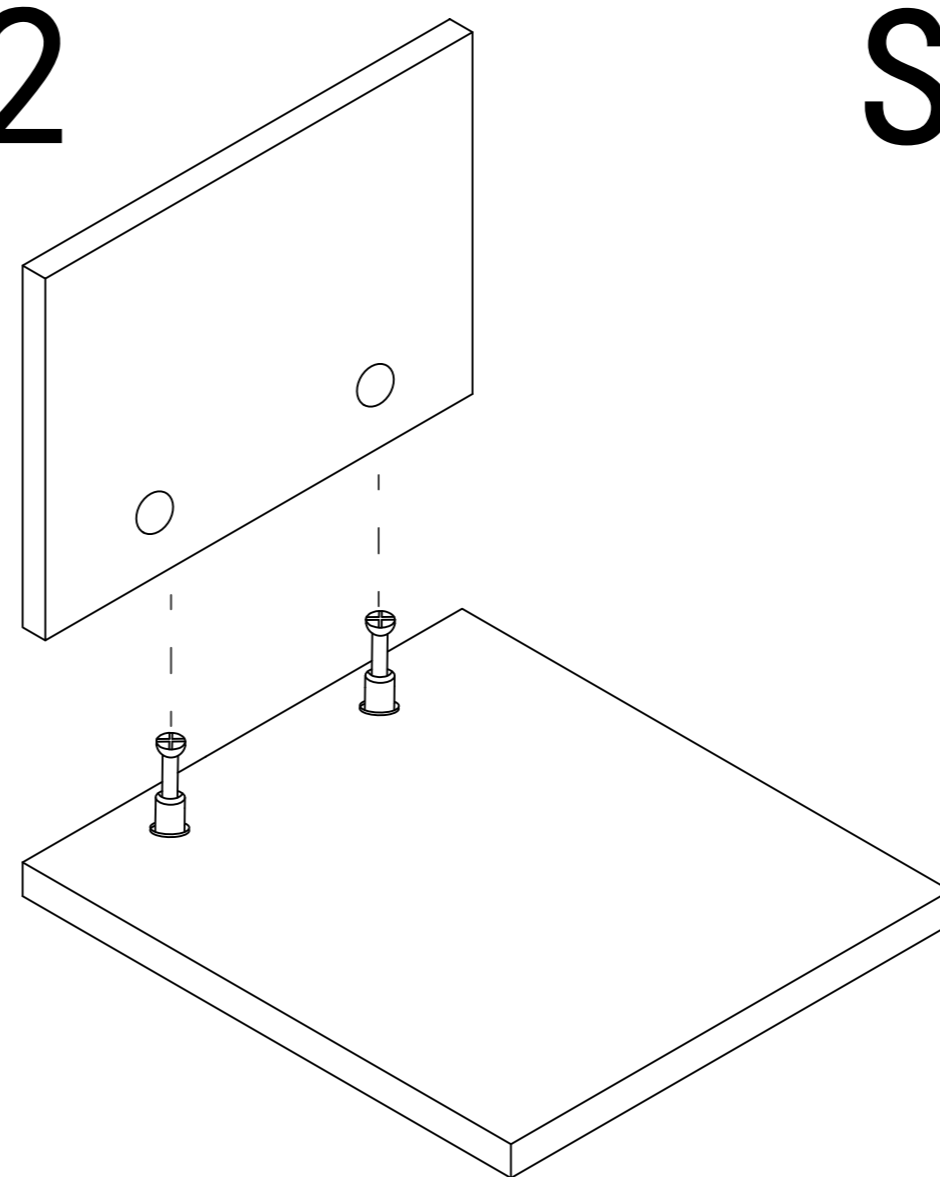


Use parts ① and ②

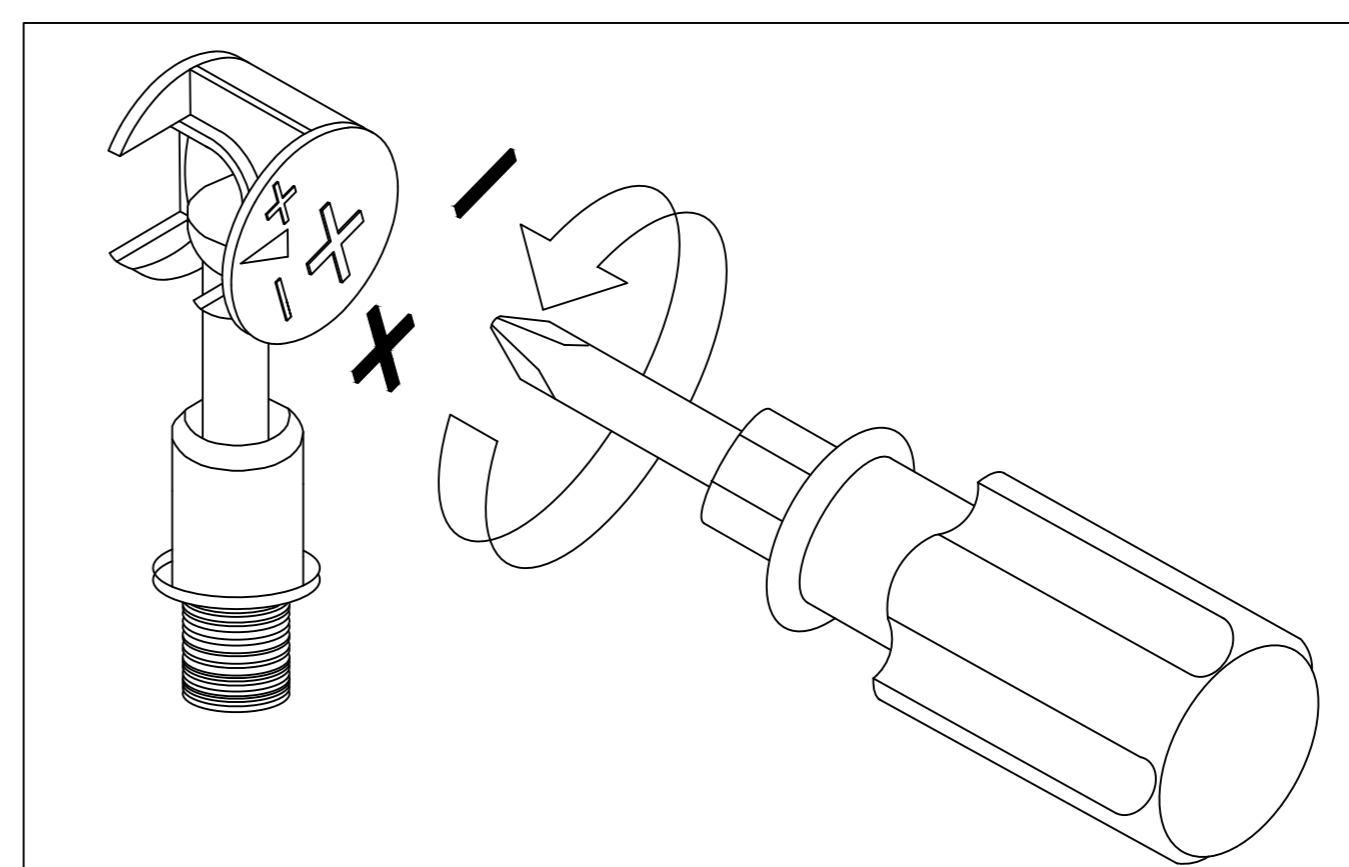
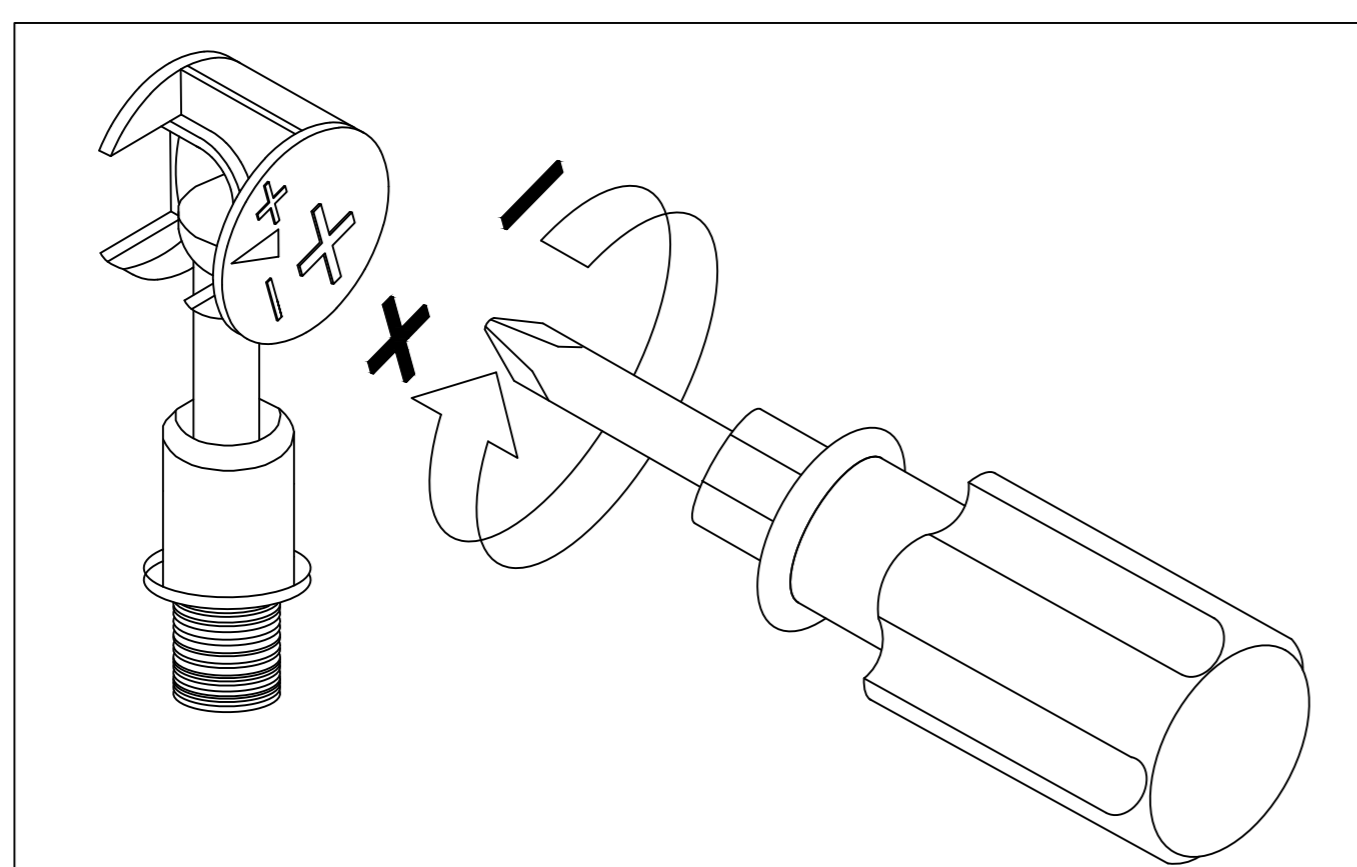
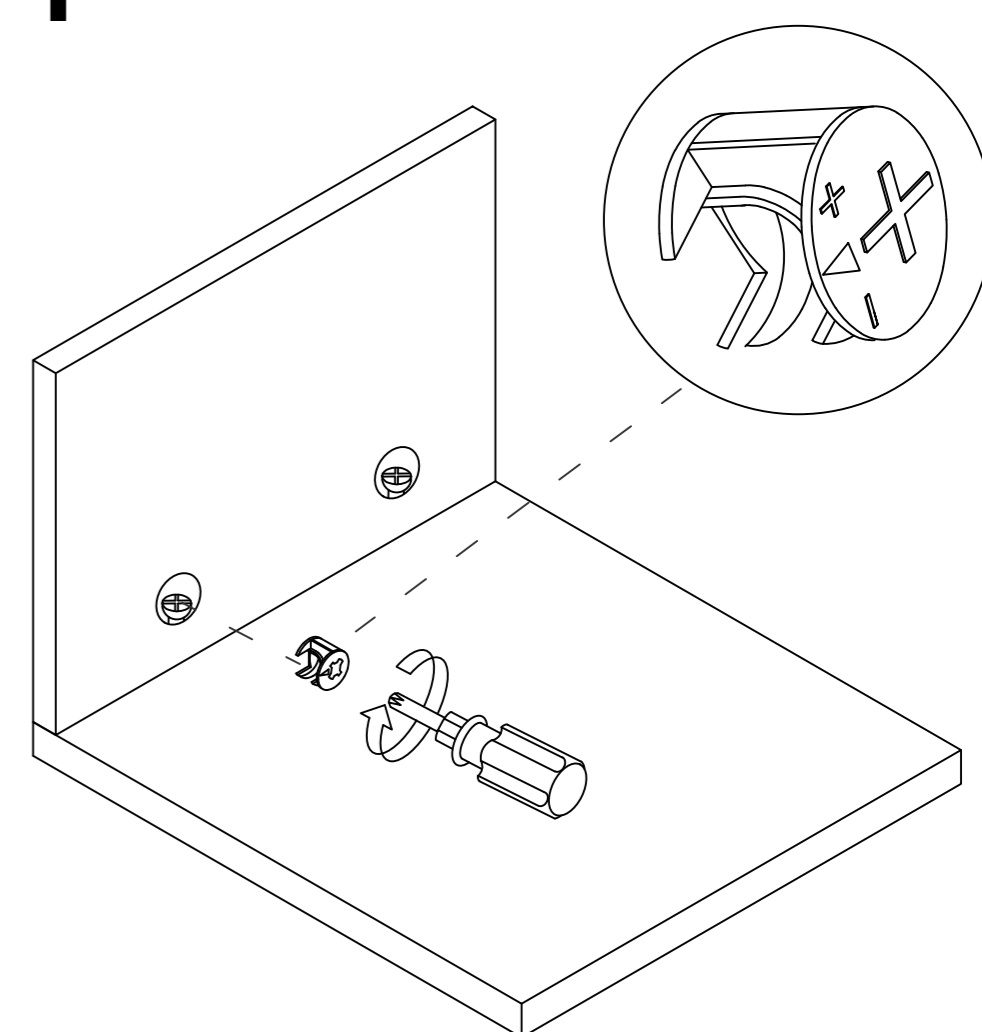
Step 1



Step 2

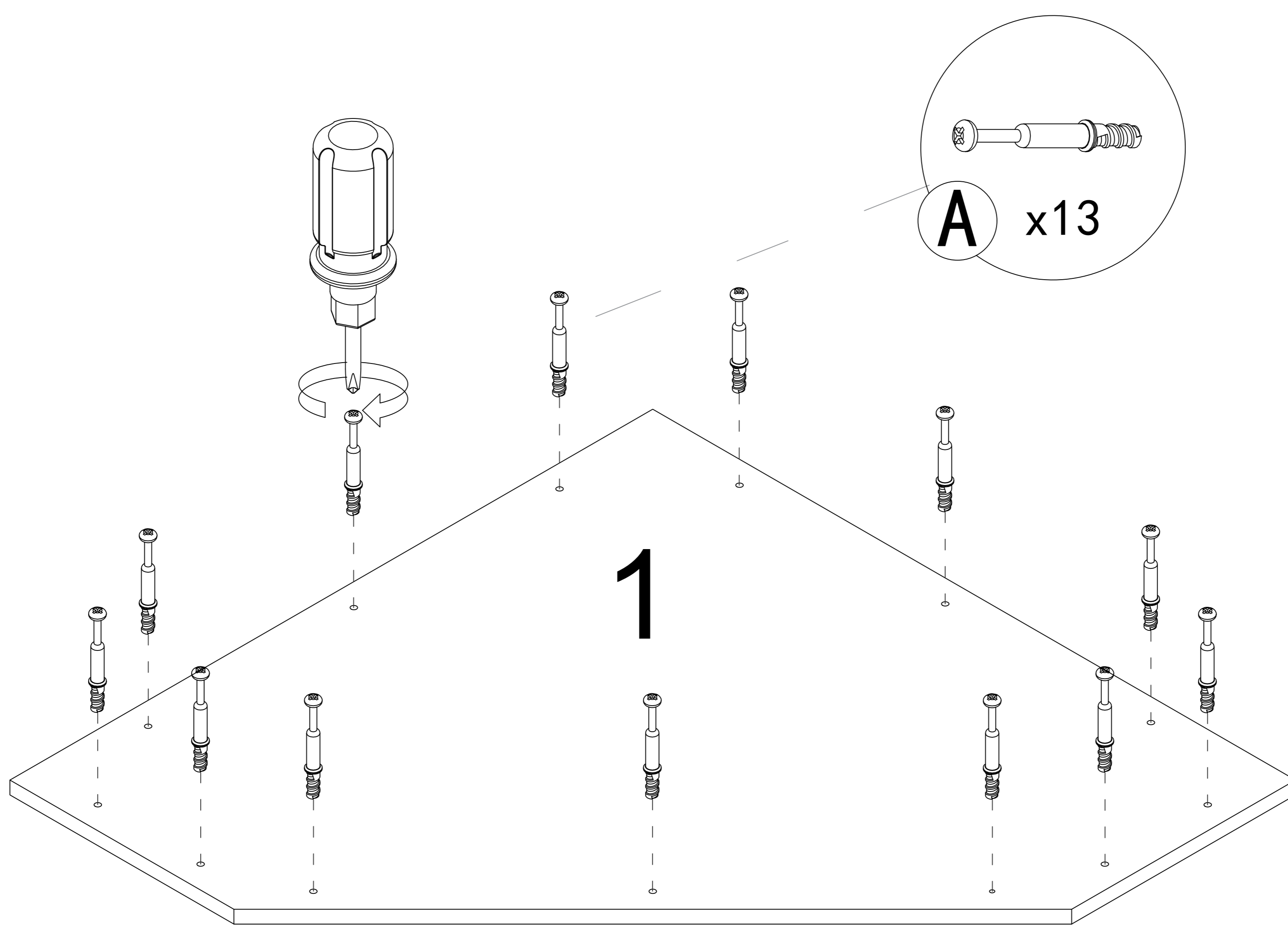
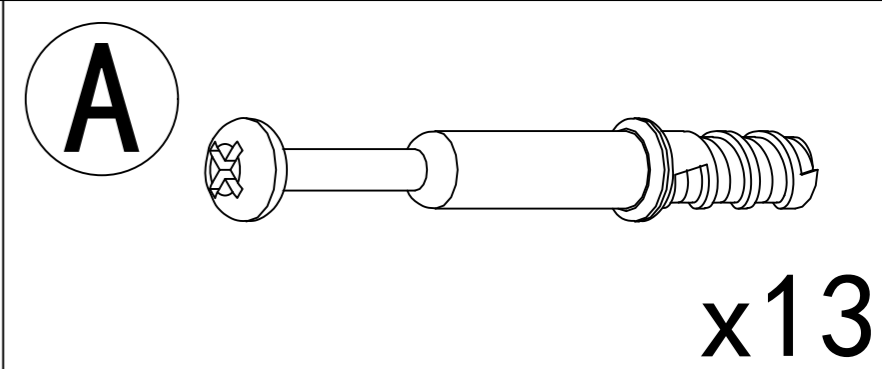


Step 3



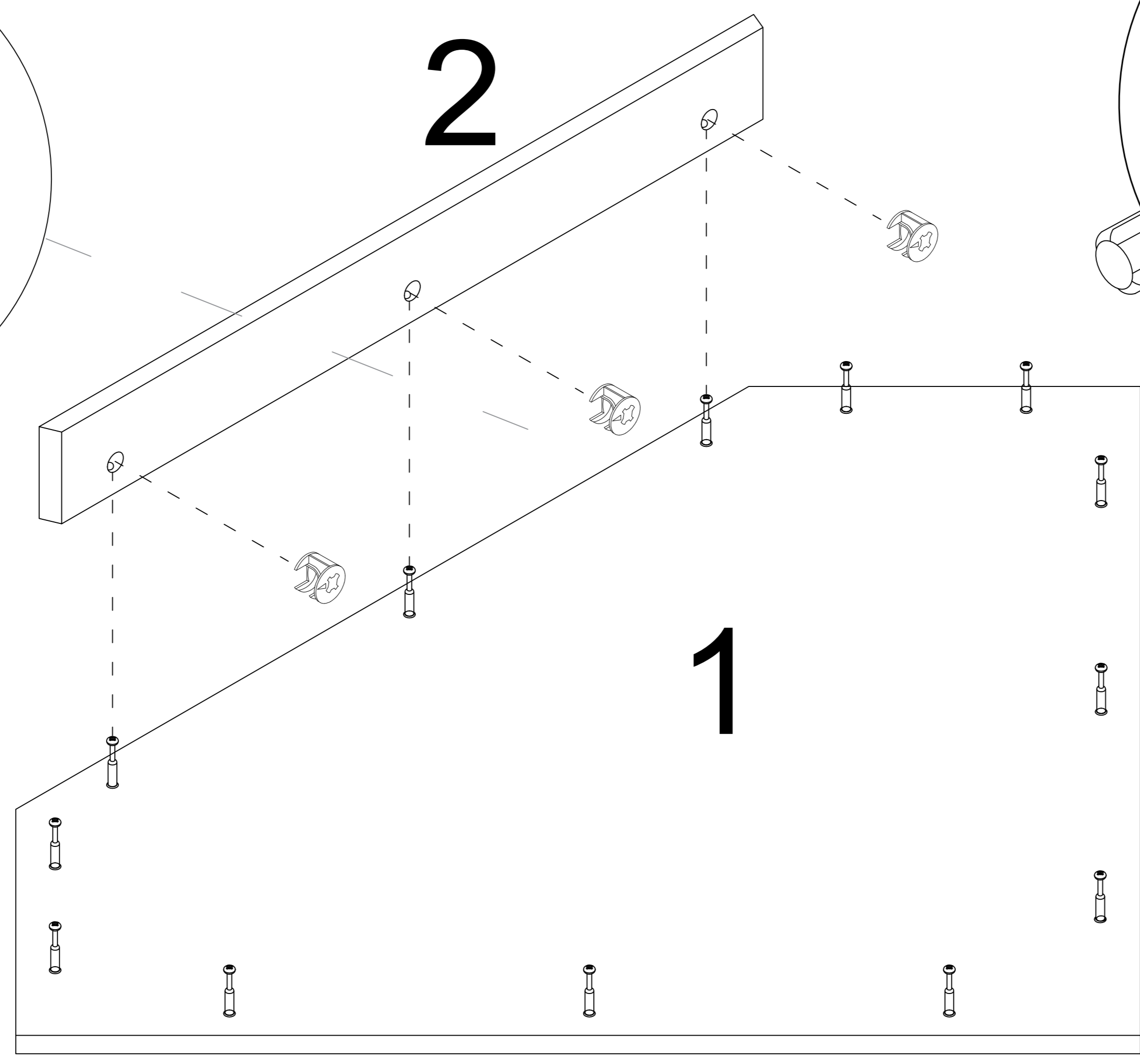
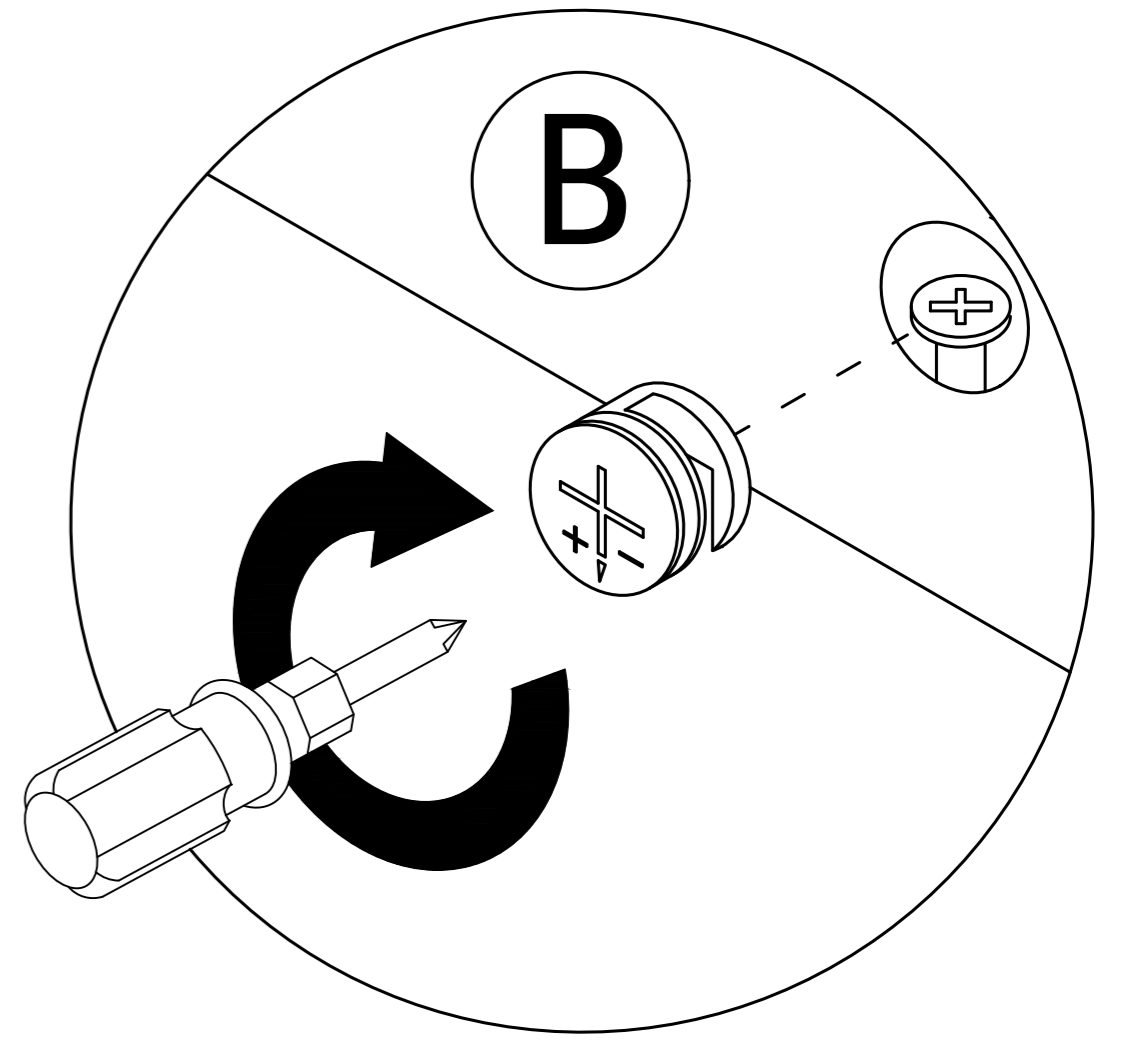
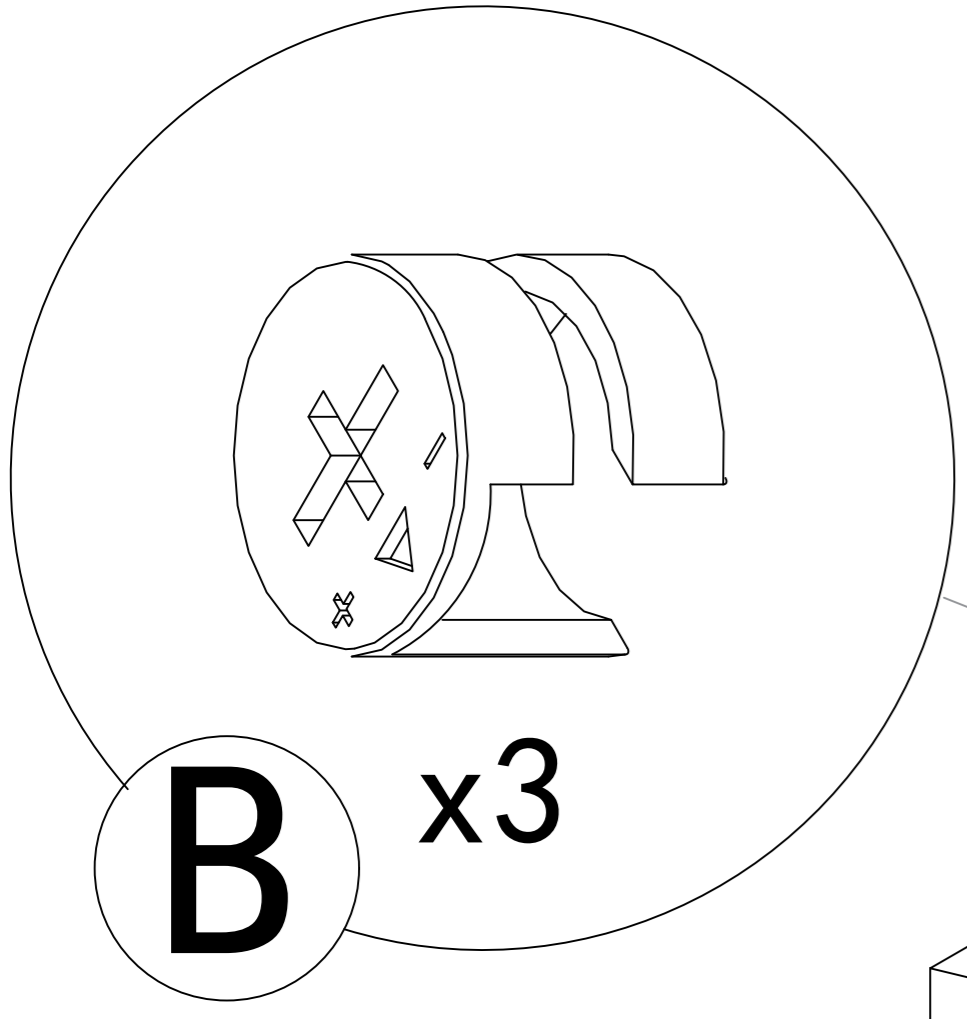
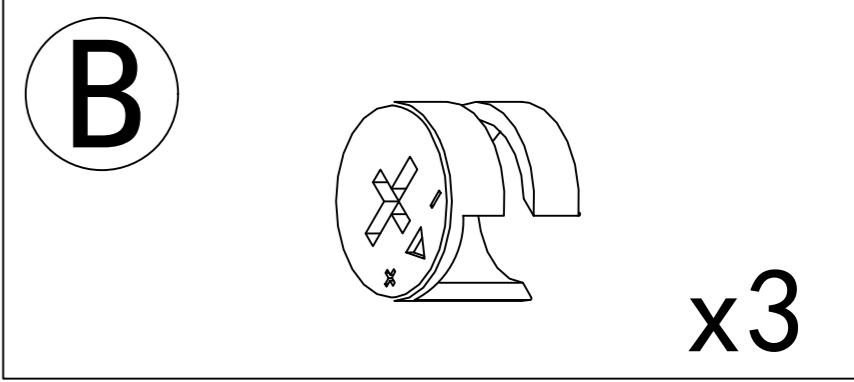
Use a screwdriver to lock in the direction of the "+" sign Disassemble along the direction of "-" sign

Step 1

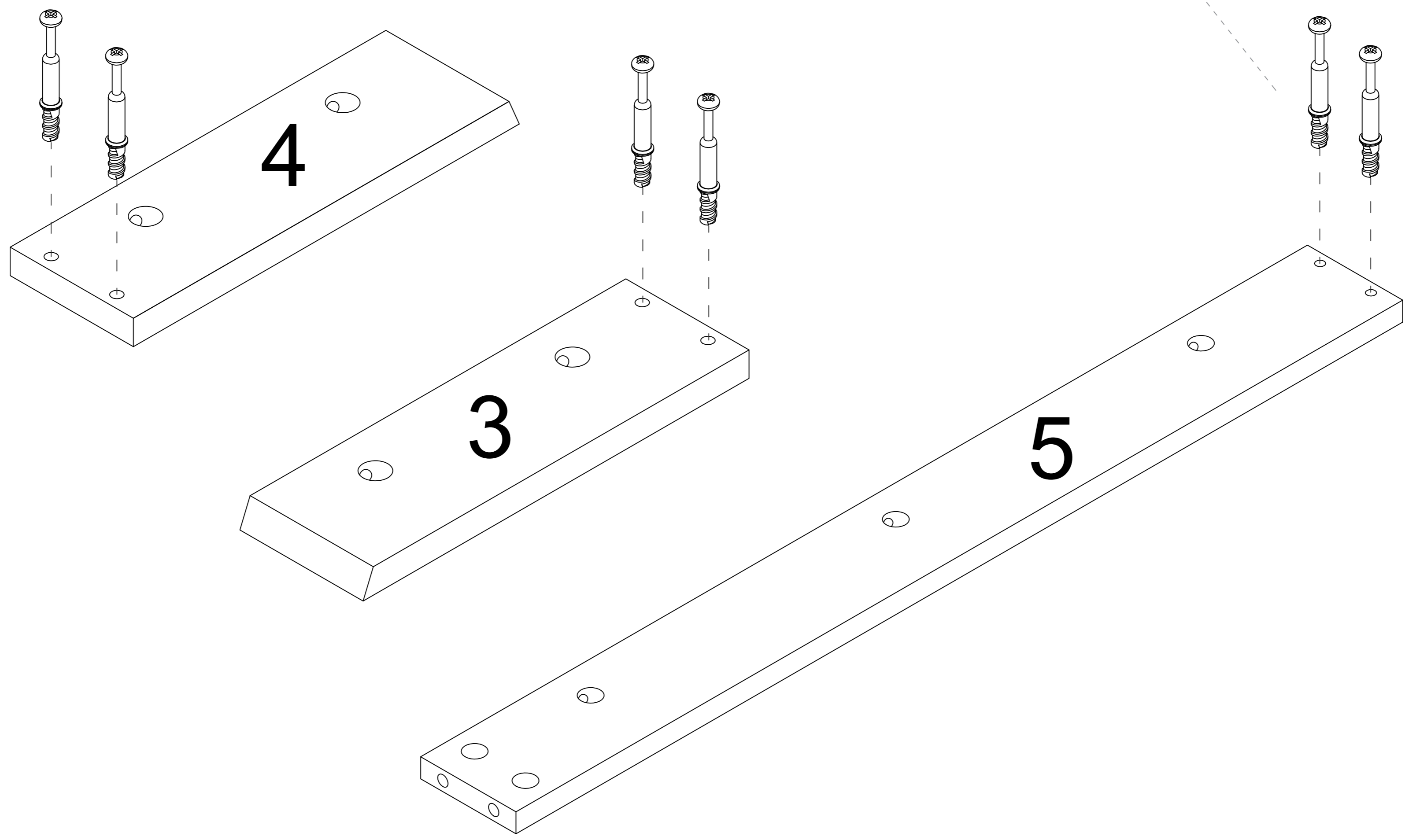
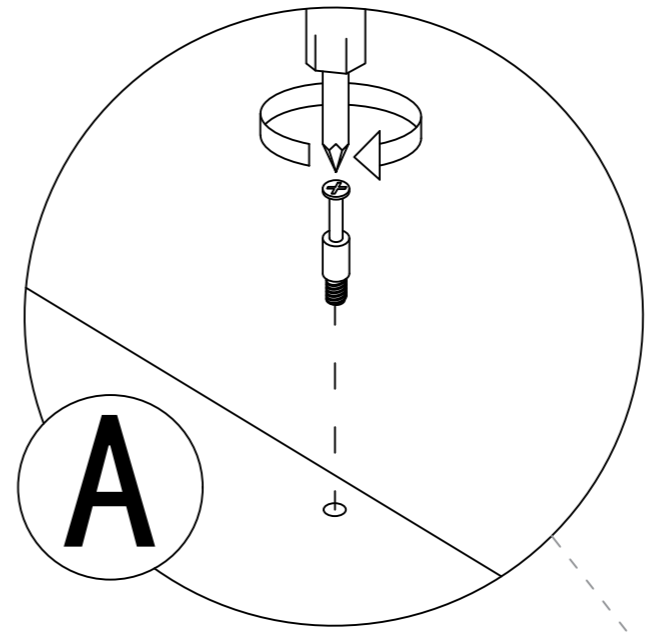
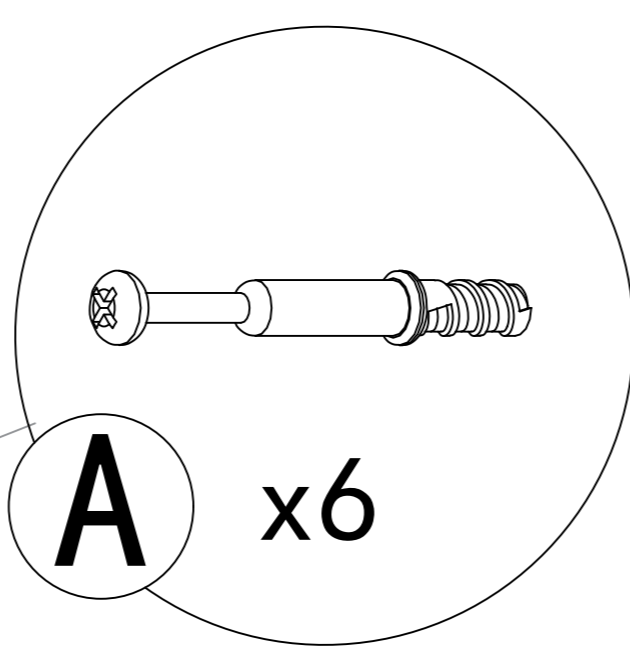
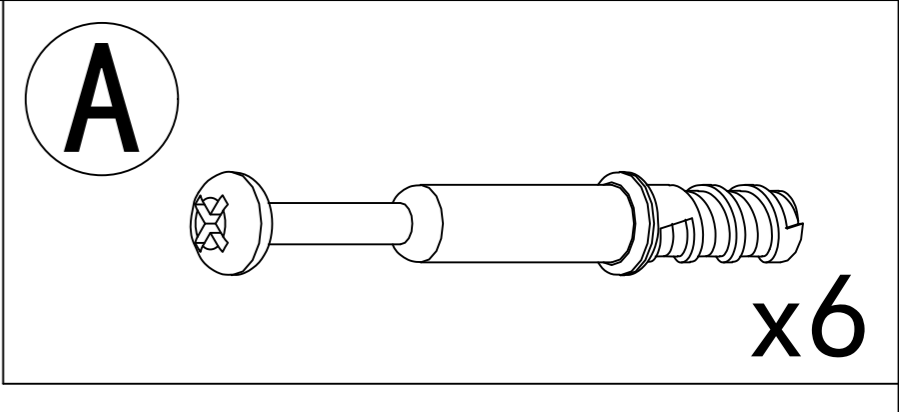


5

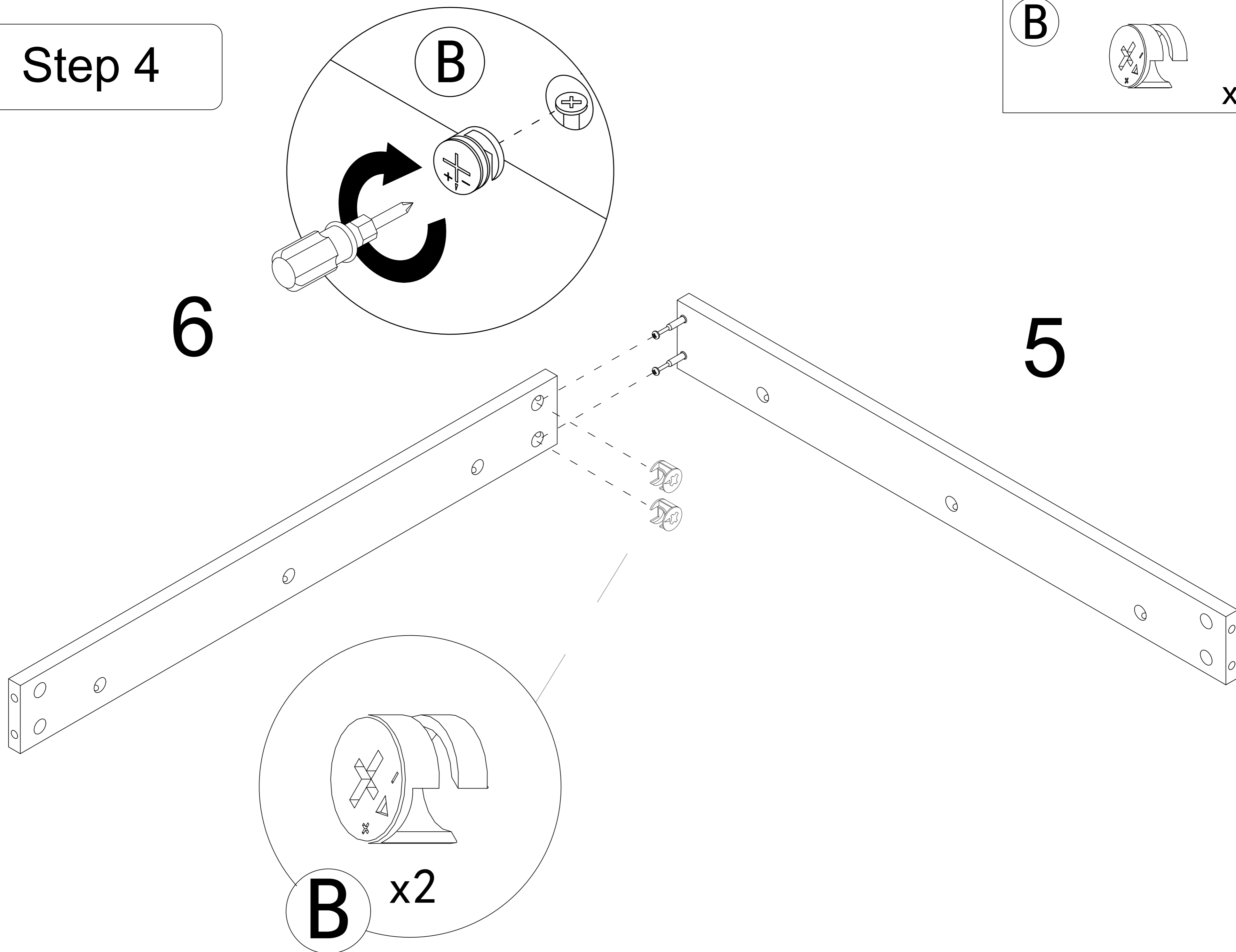
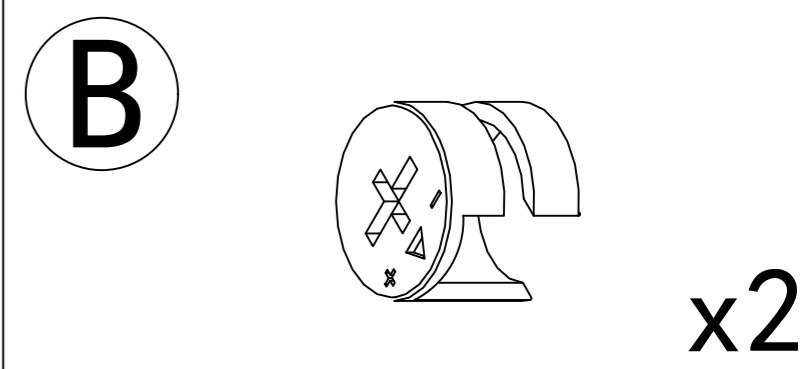
Step 2



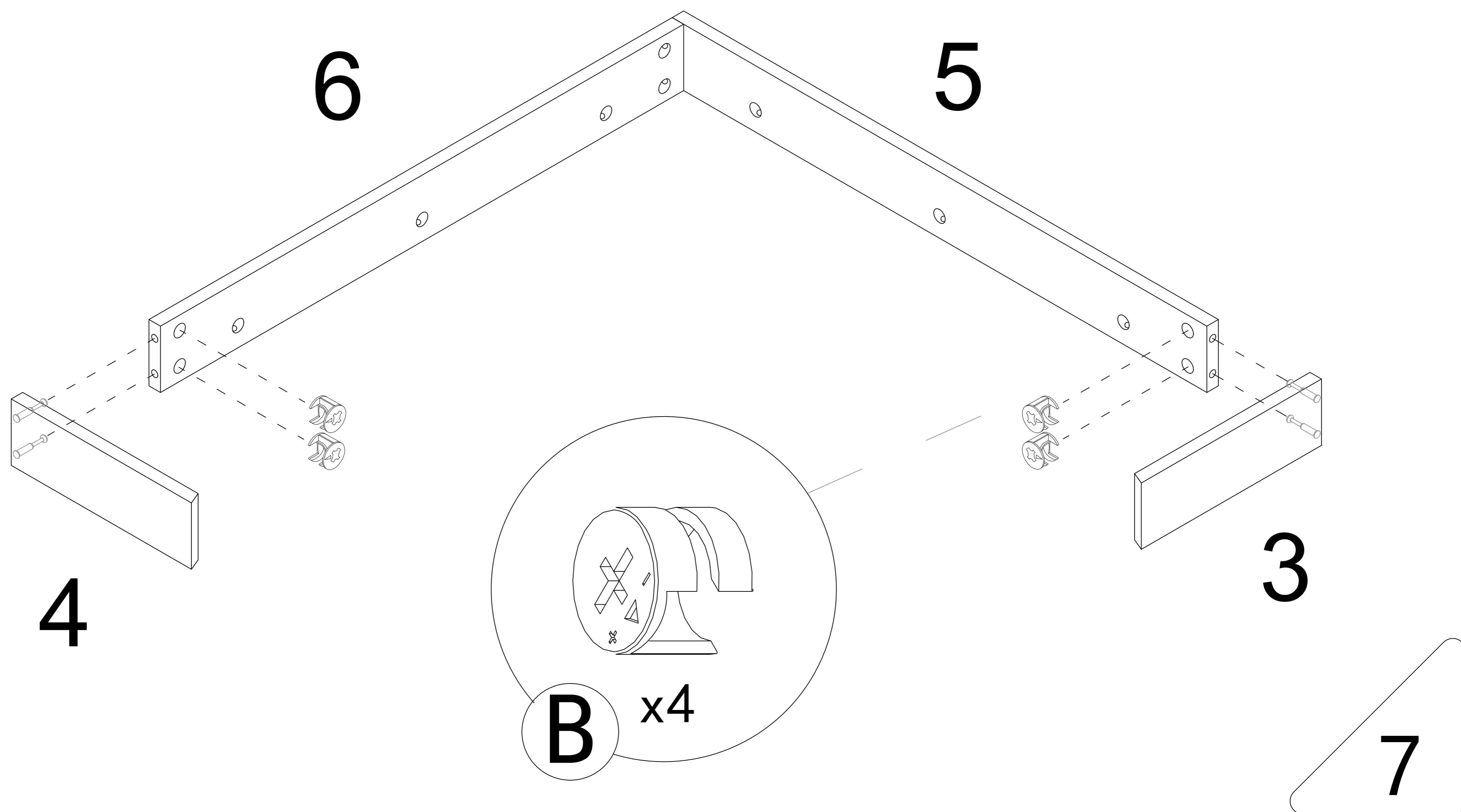
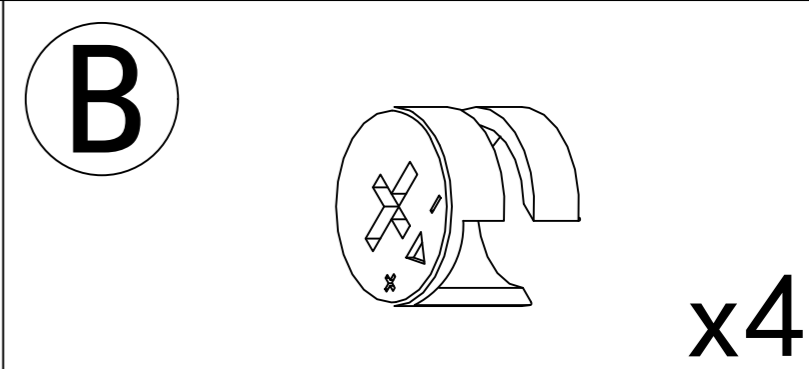
Step 3



Step 4

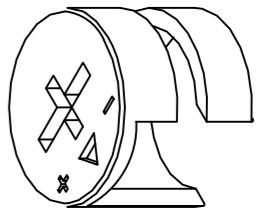
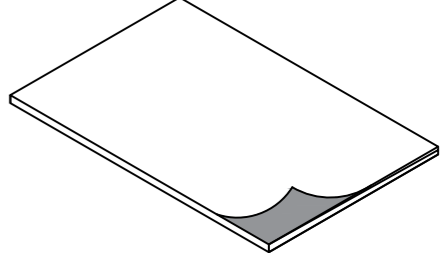


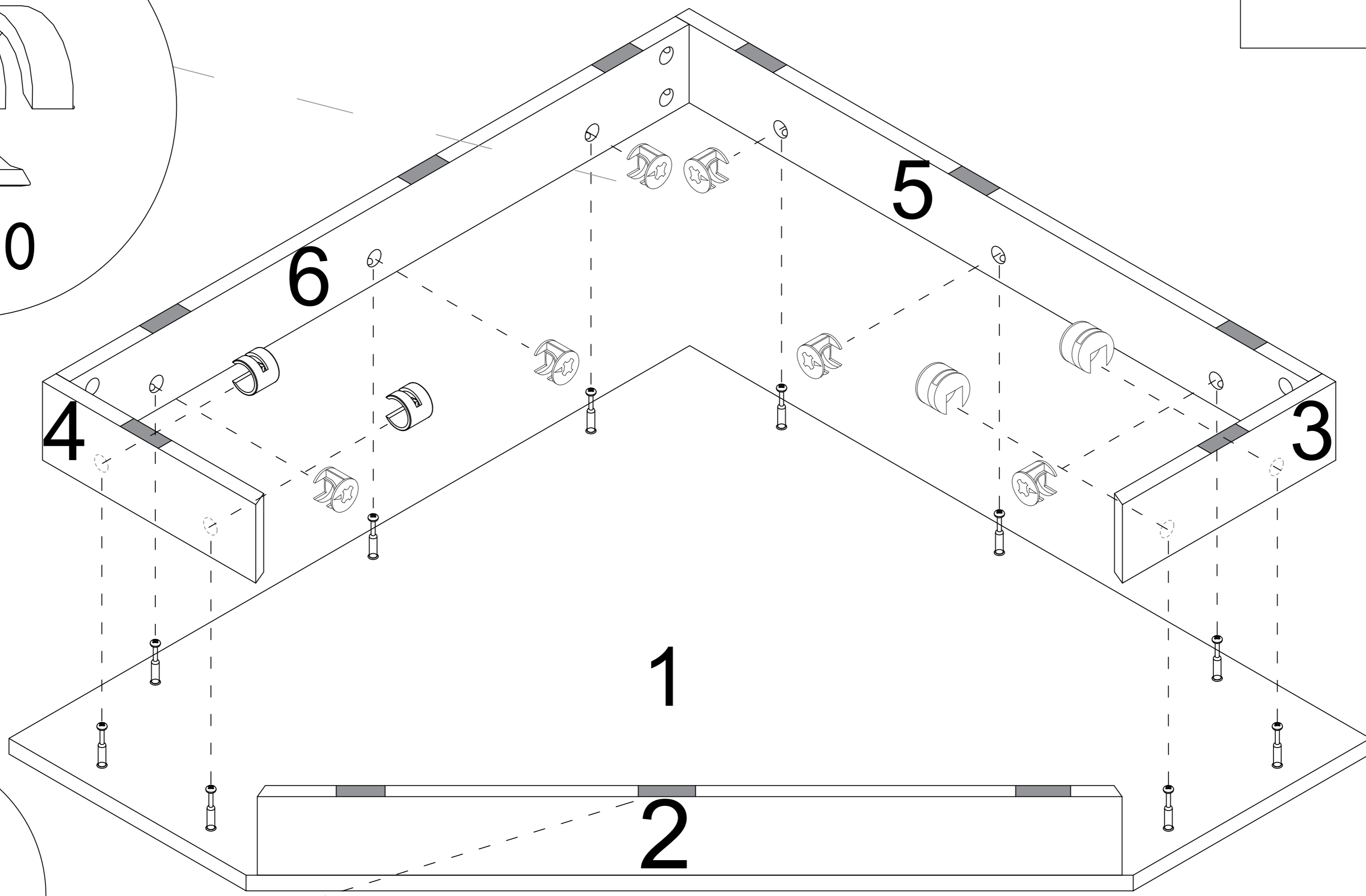
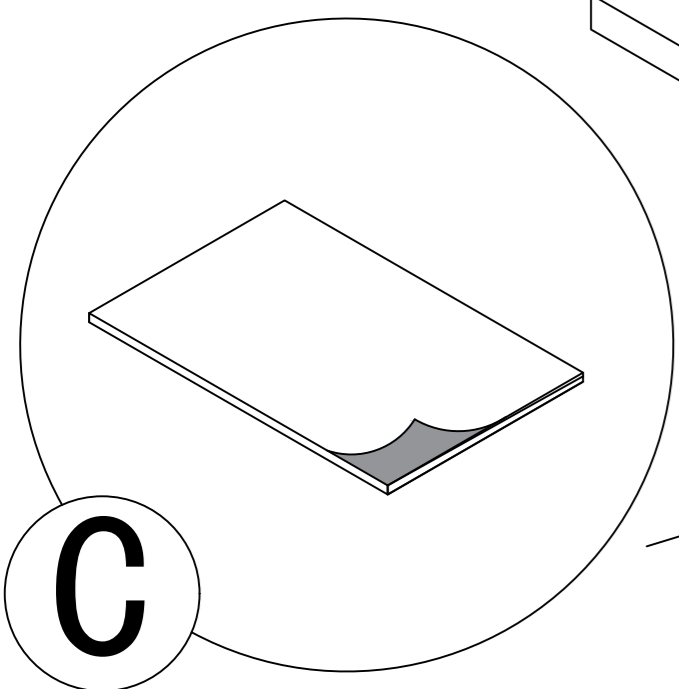
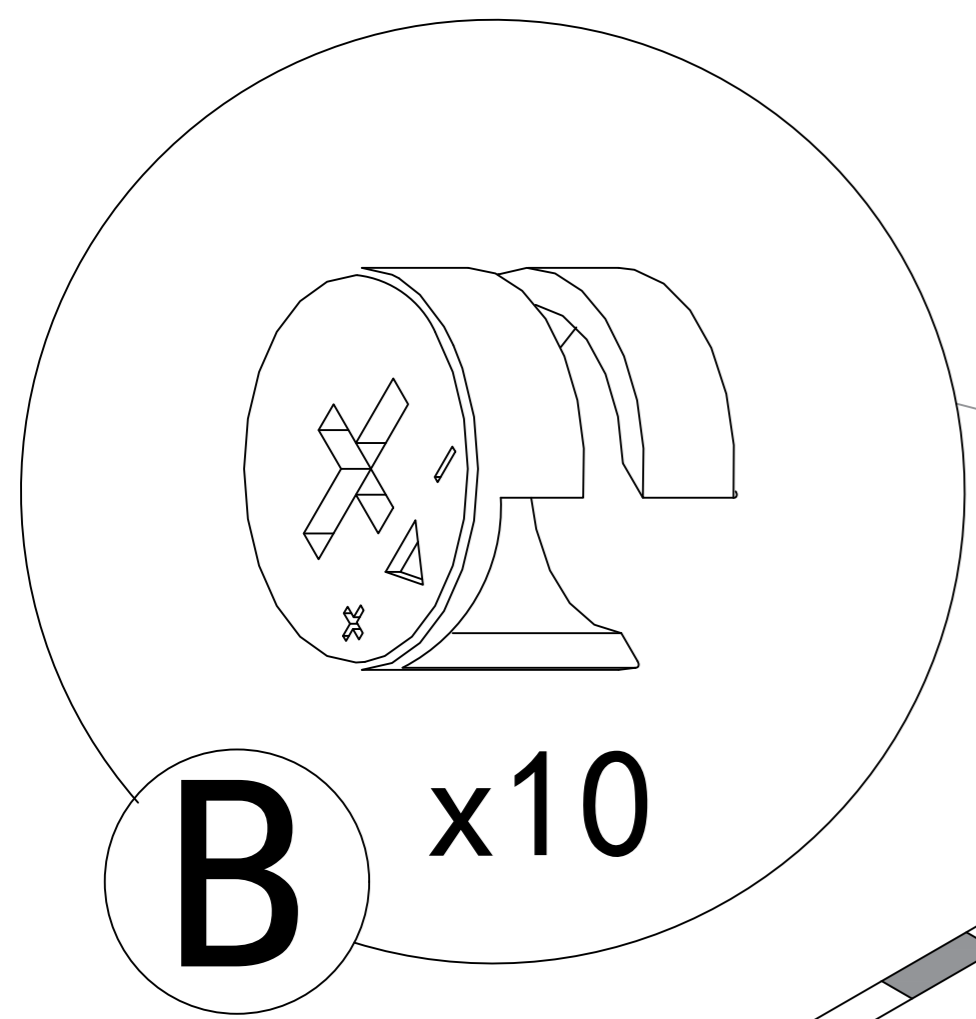
Step 5



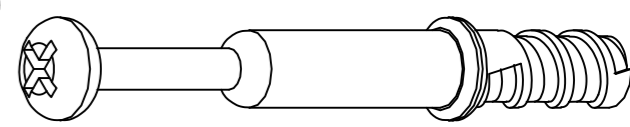
Step 6

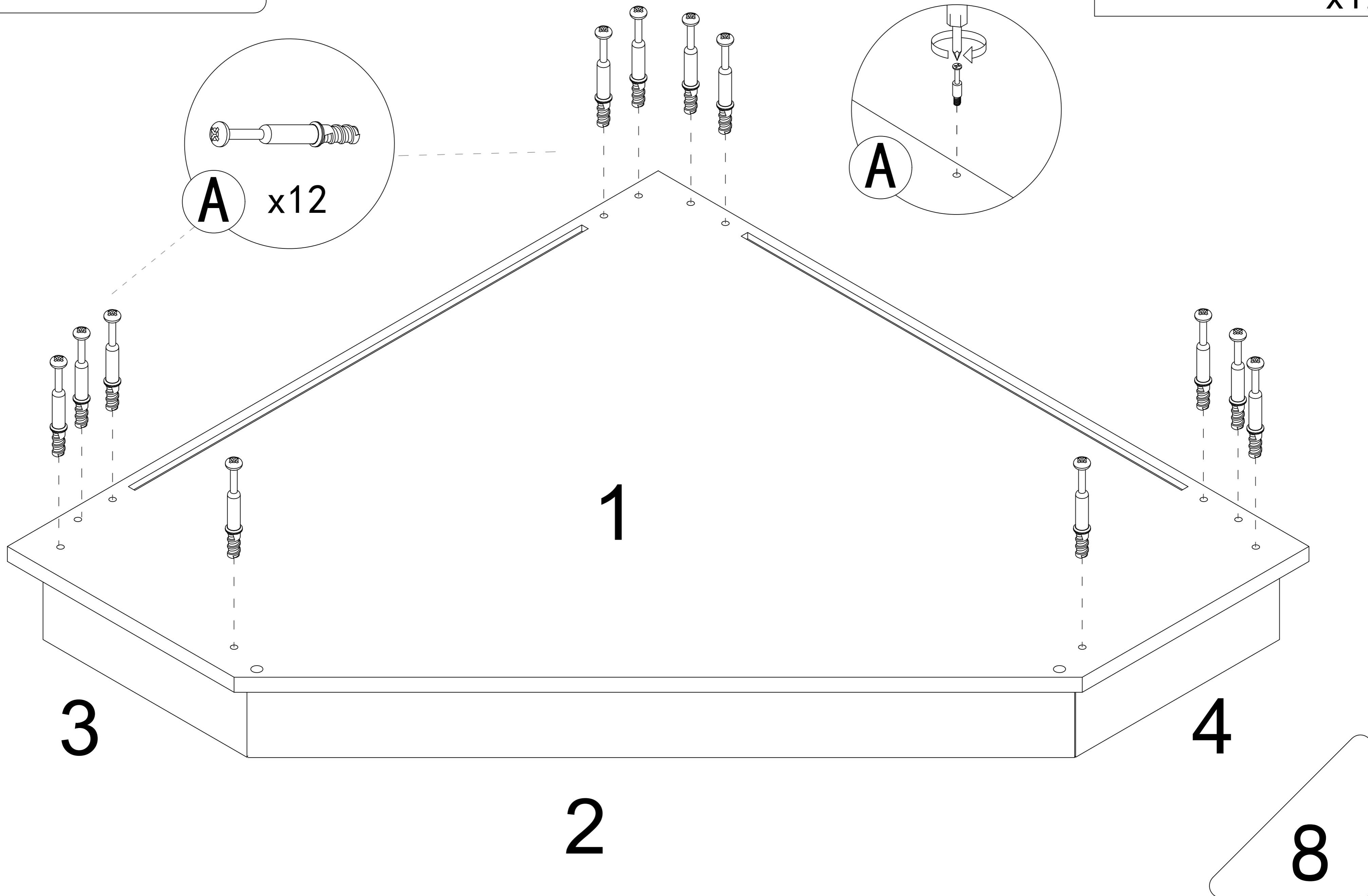
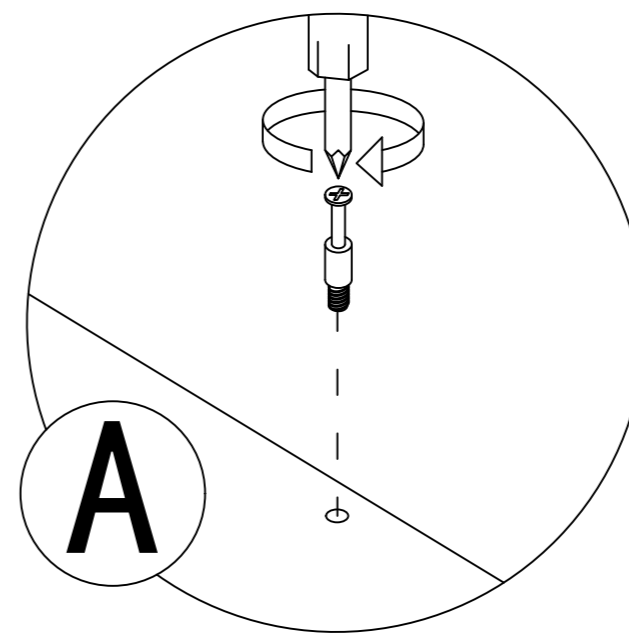
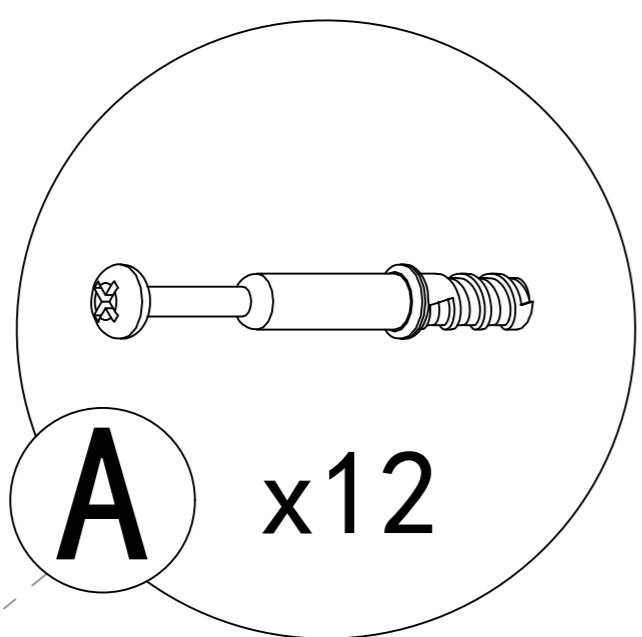
Tear off release paper and stick the black foot pad on the board

- B**  x10
- C**  x11

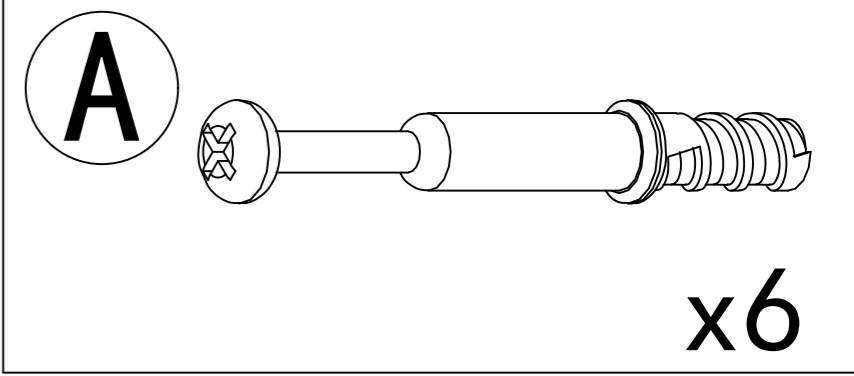
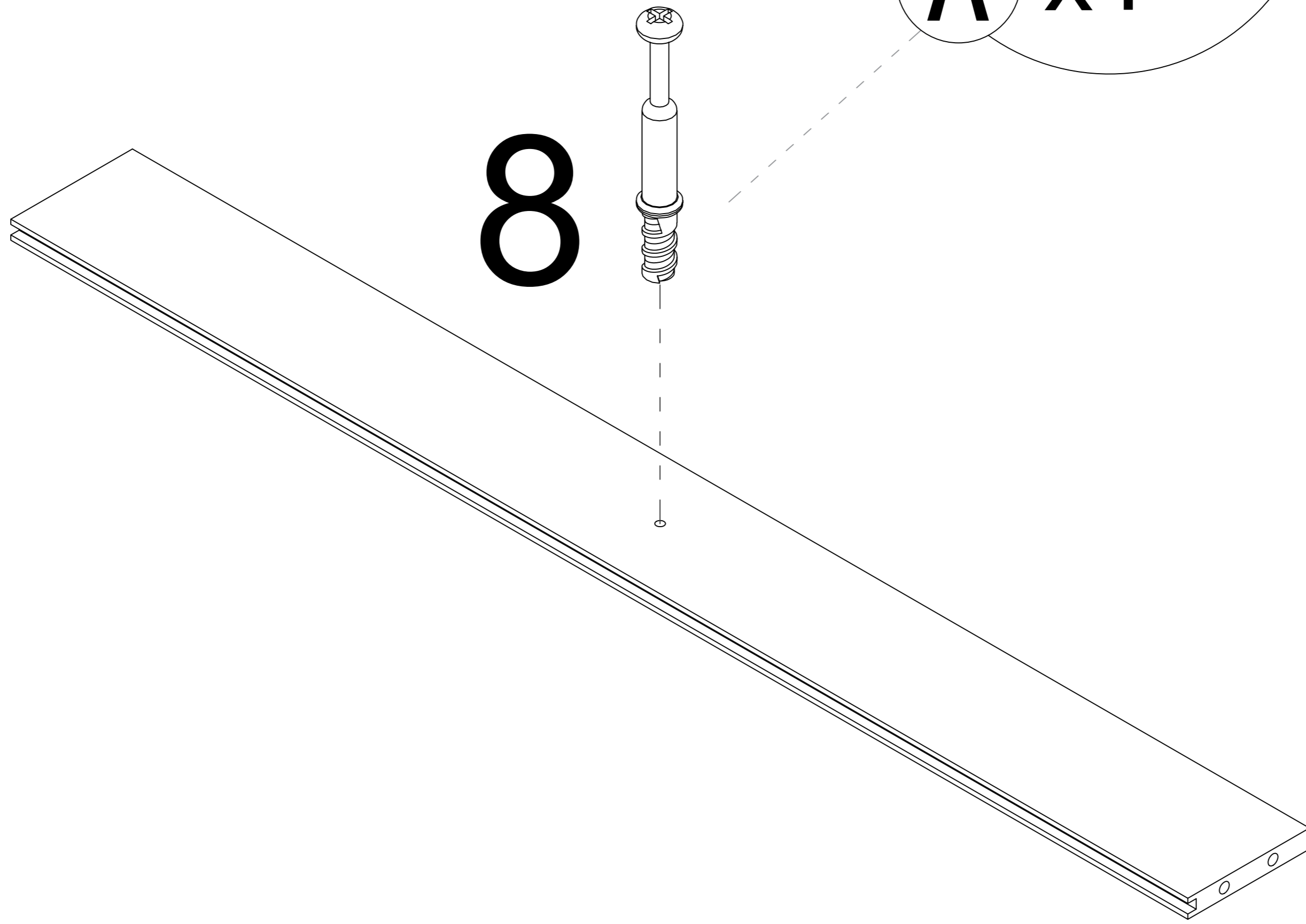


Step 7

- A**  x12

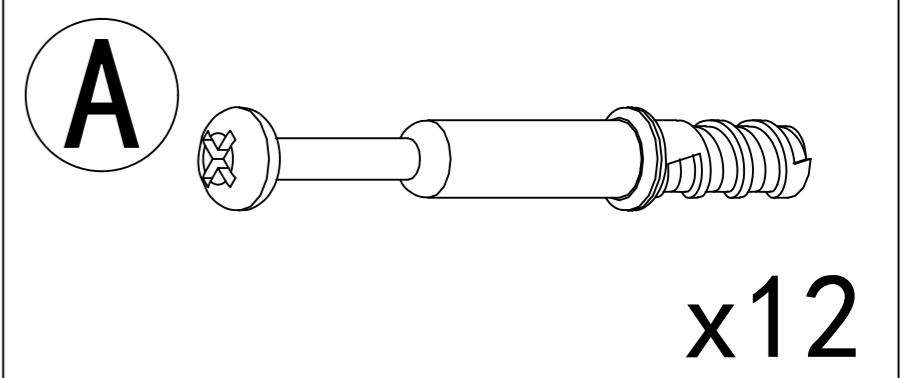
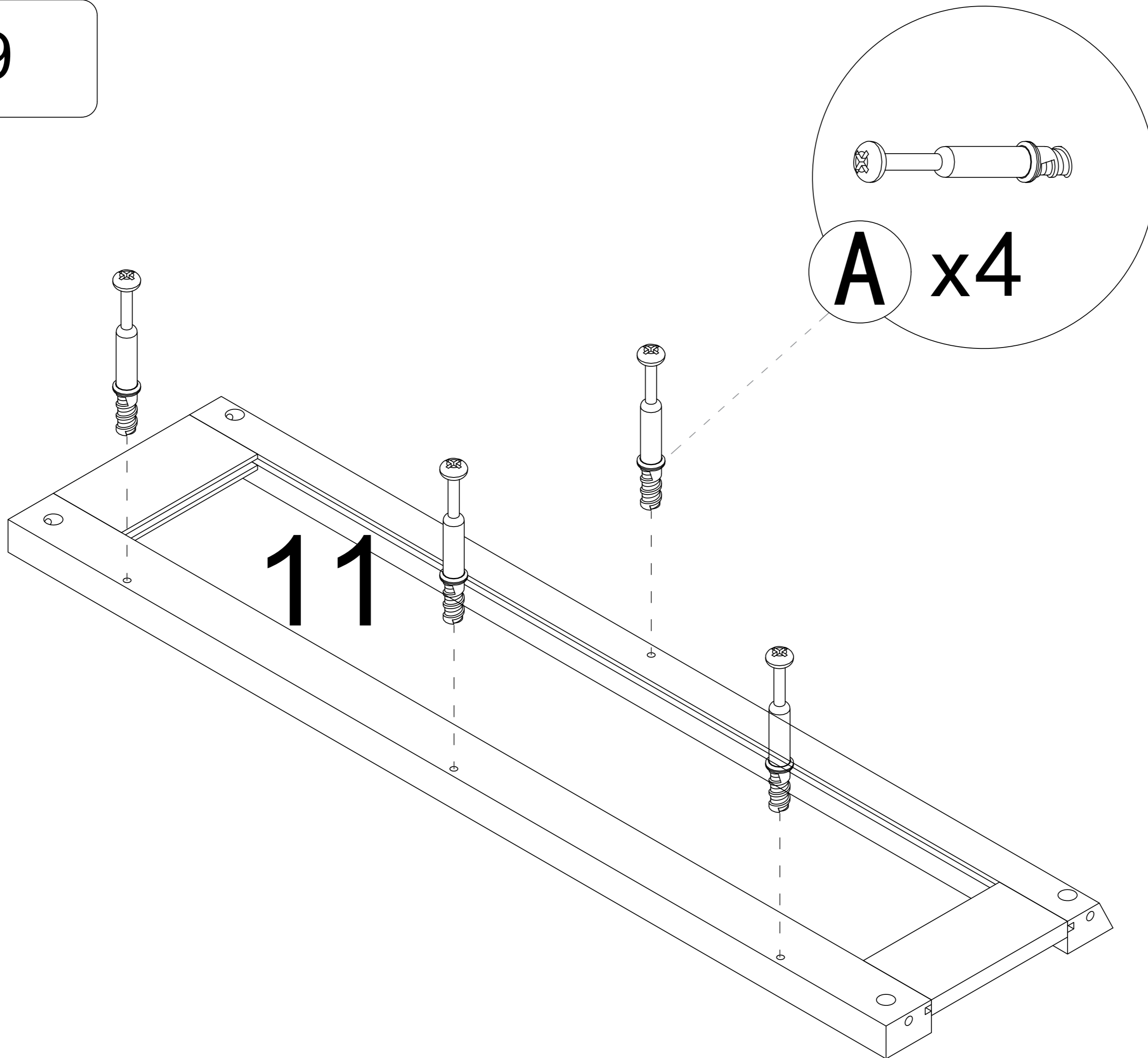


Step 8

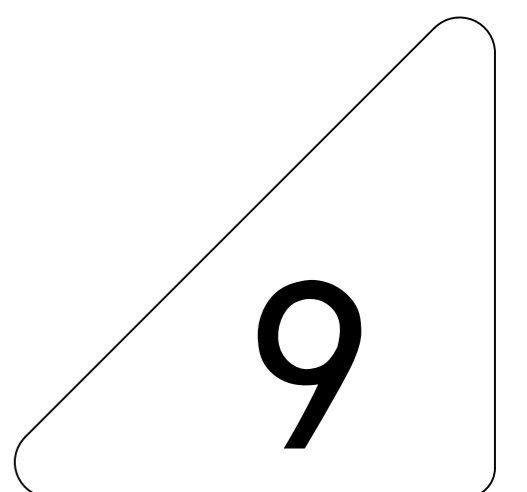


x6

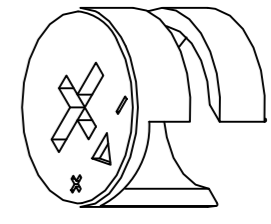
Step 9

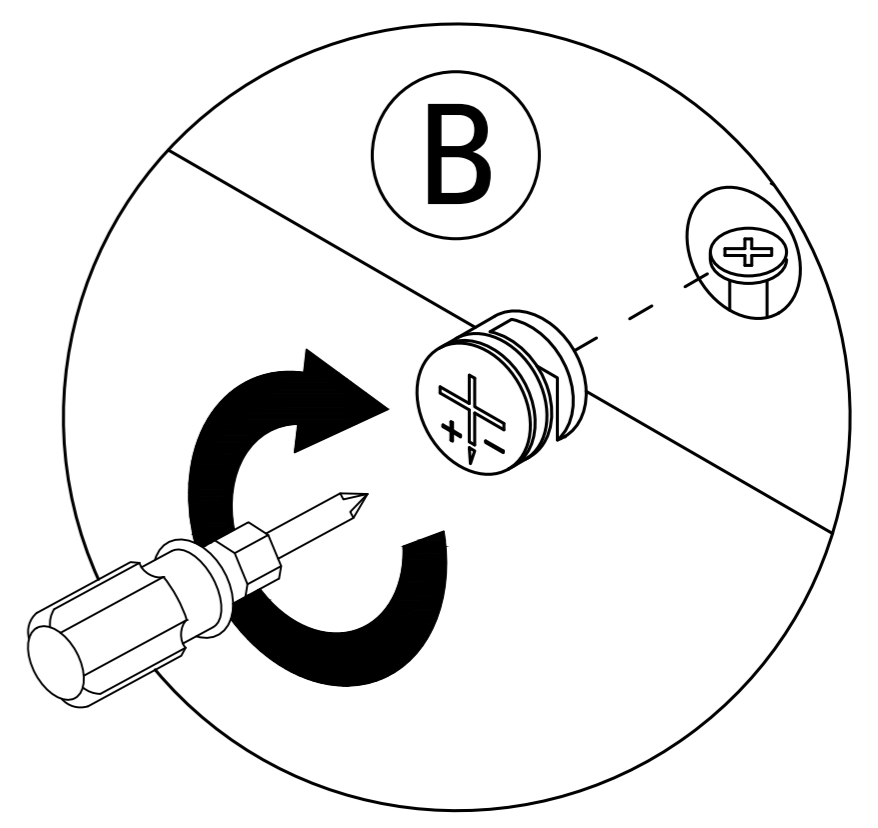
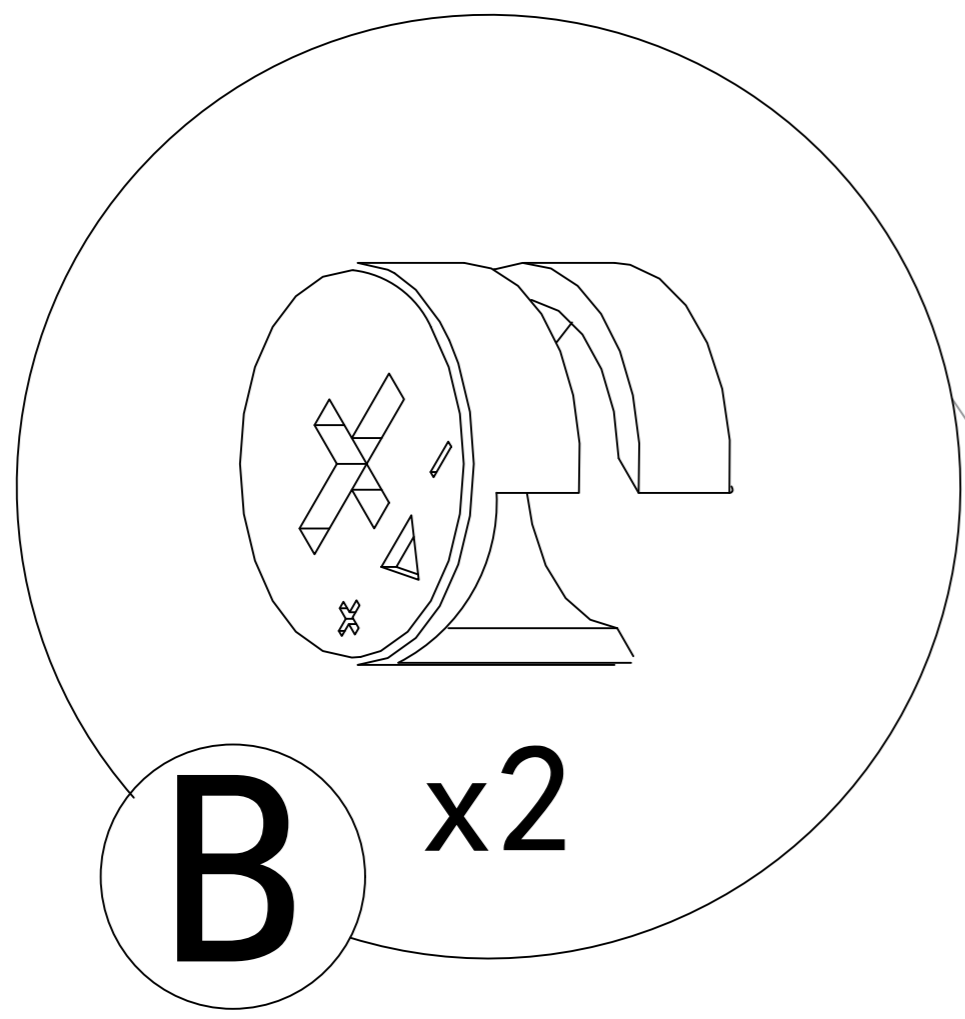


x3



Step 10

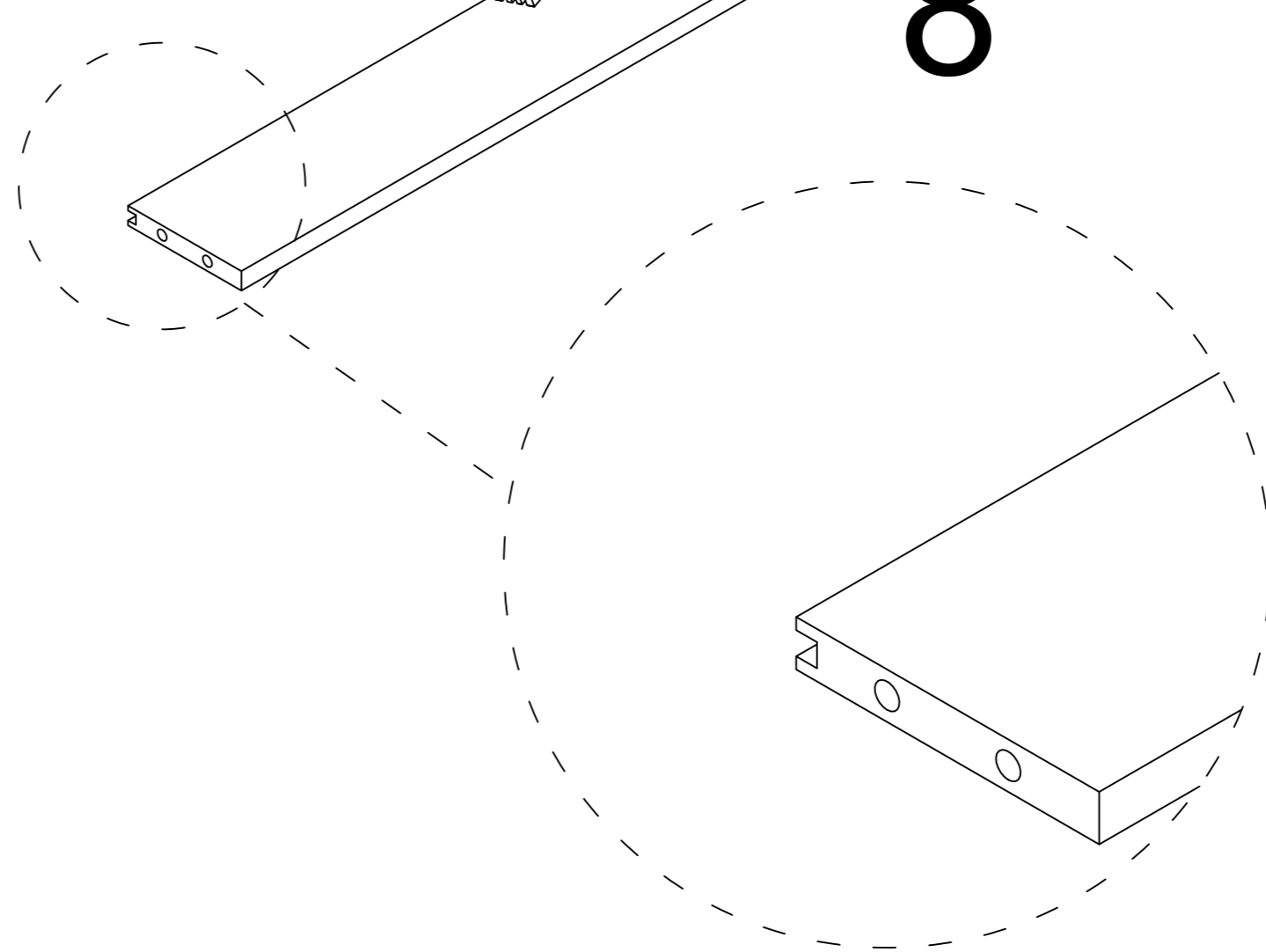
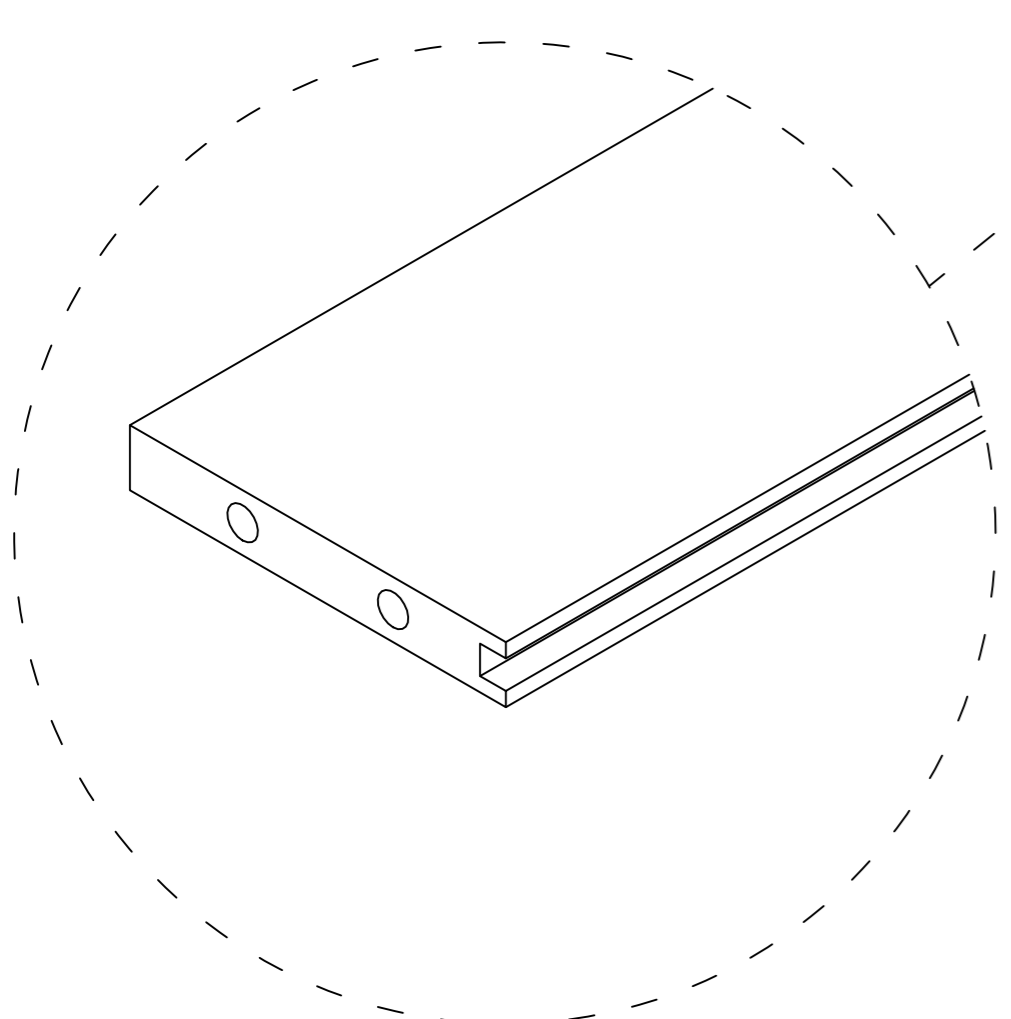
B  x2



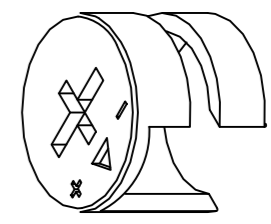
13

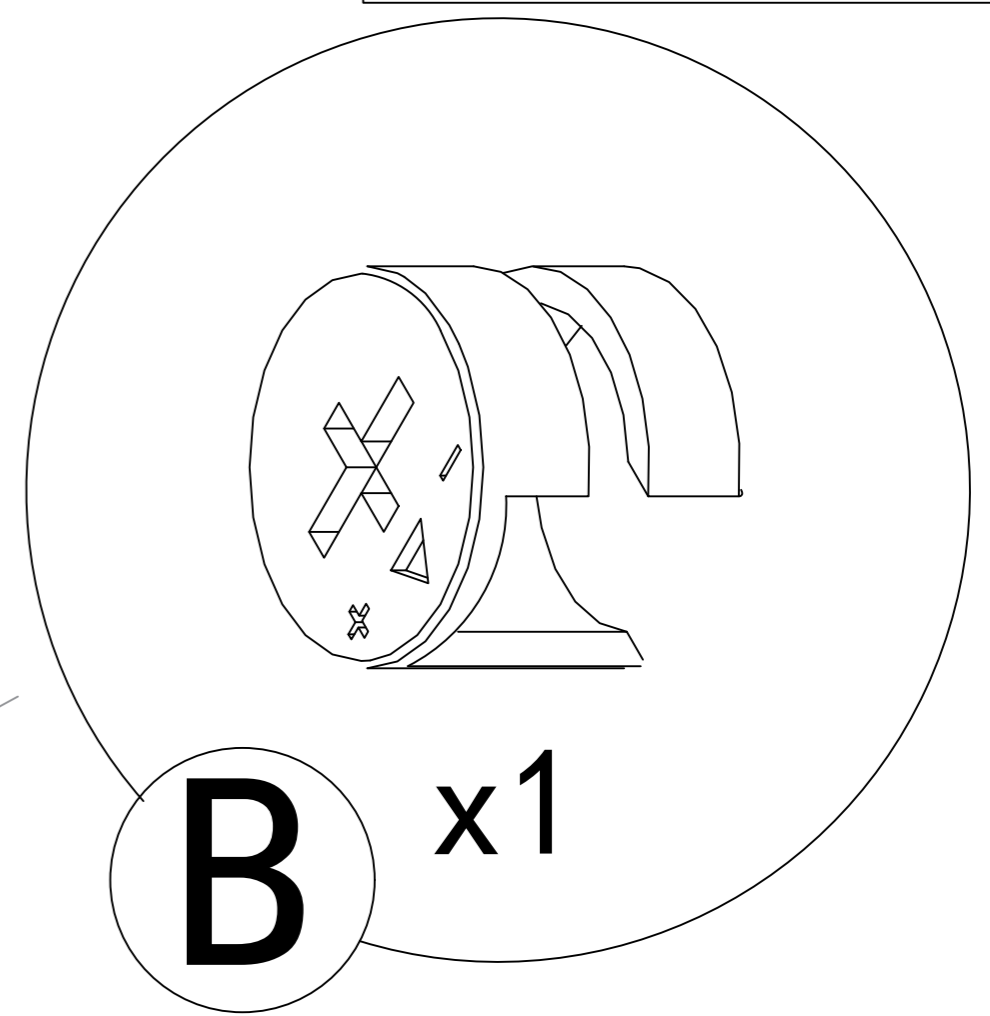
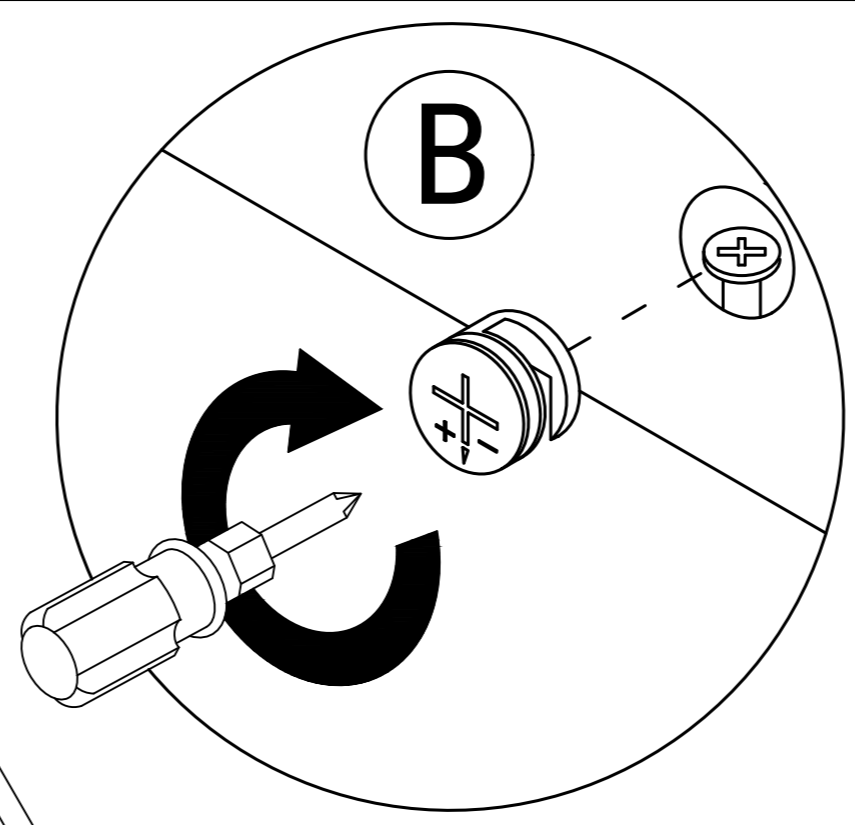
8

8



Step 11

B  x1



13

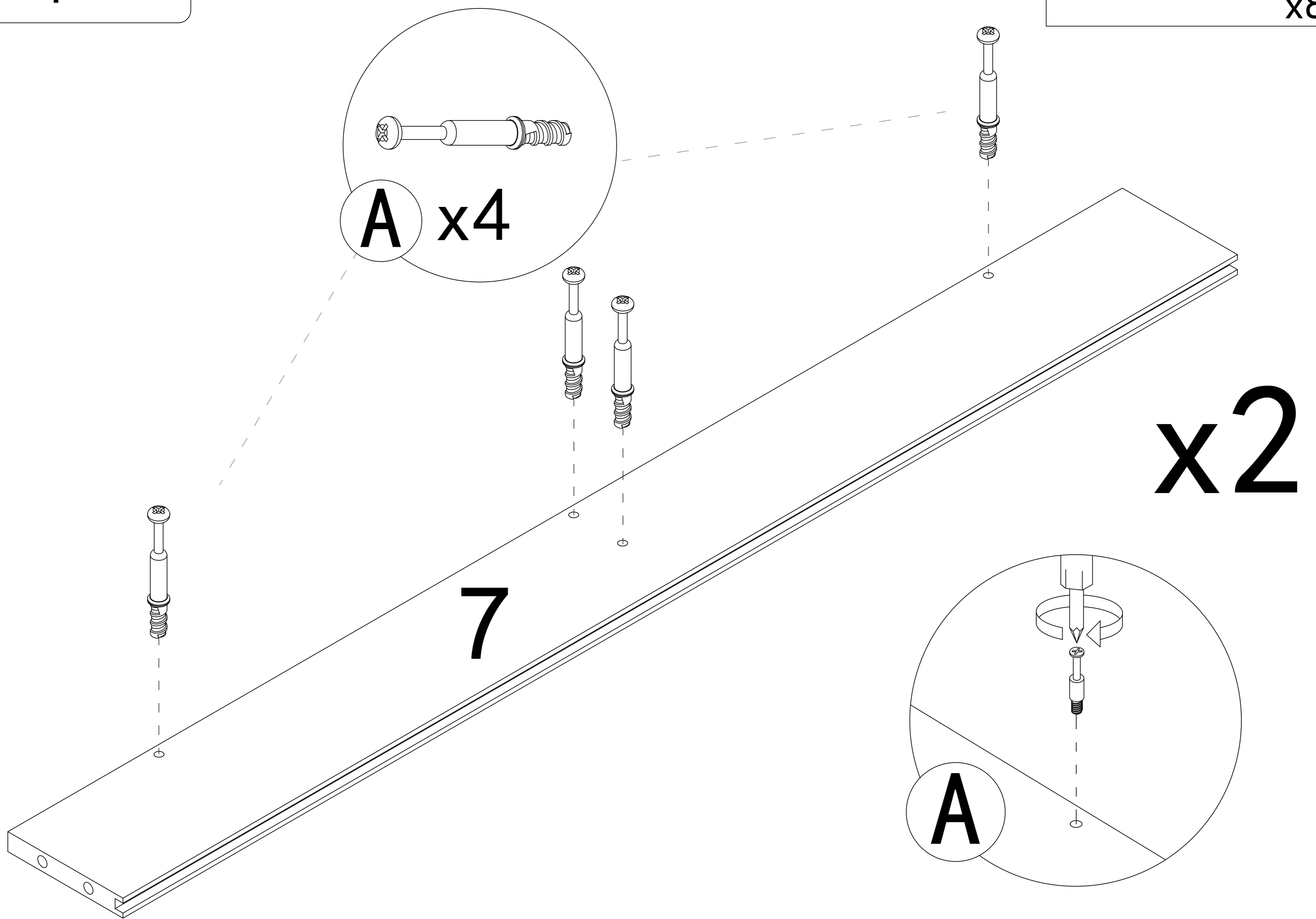
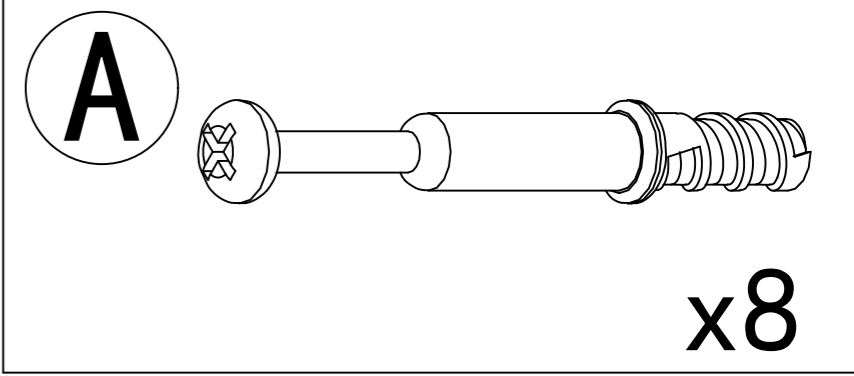
8

8

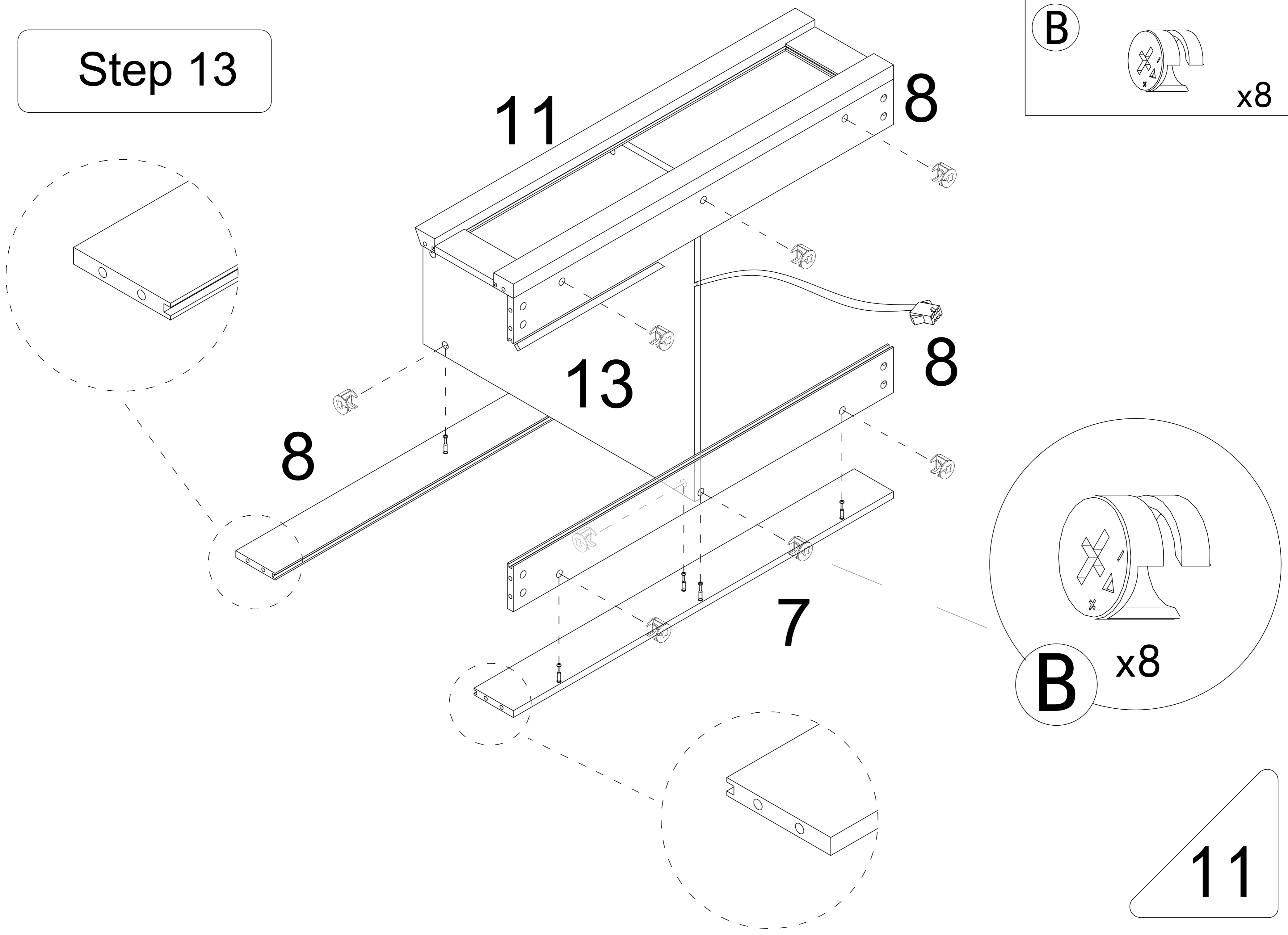
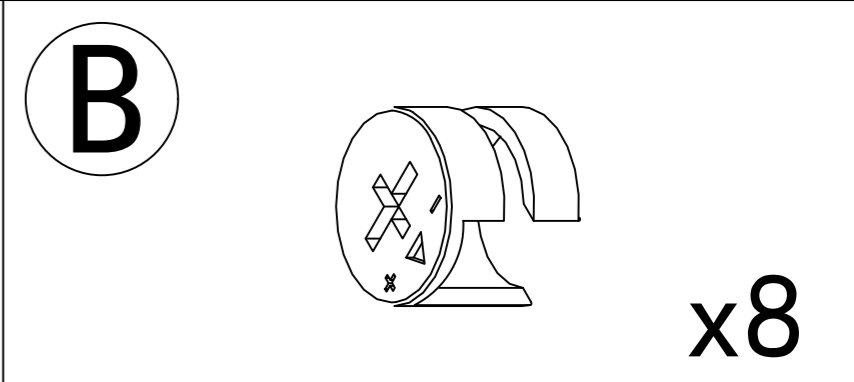
11

10

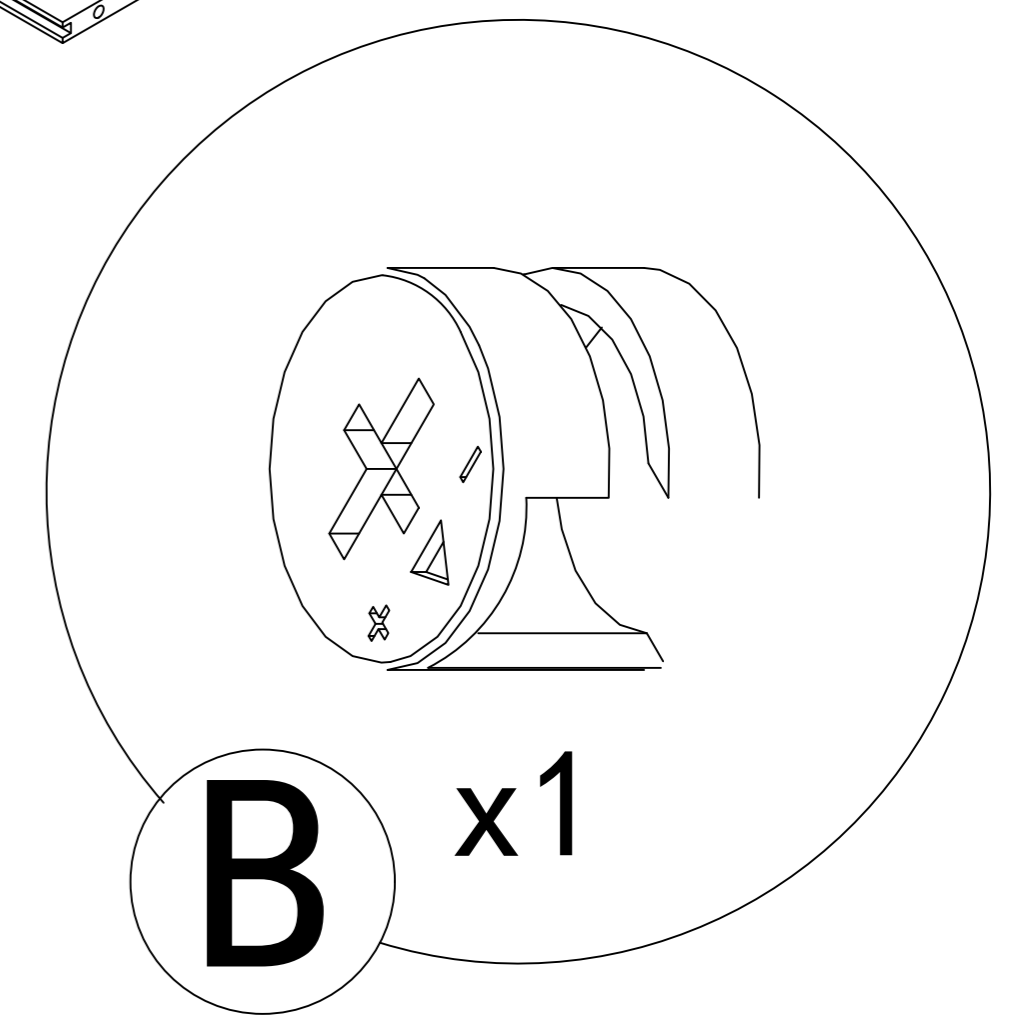
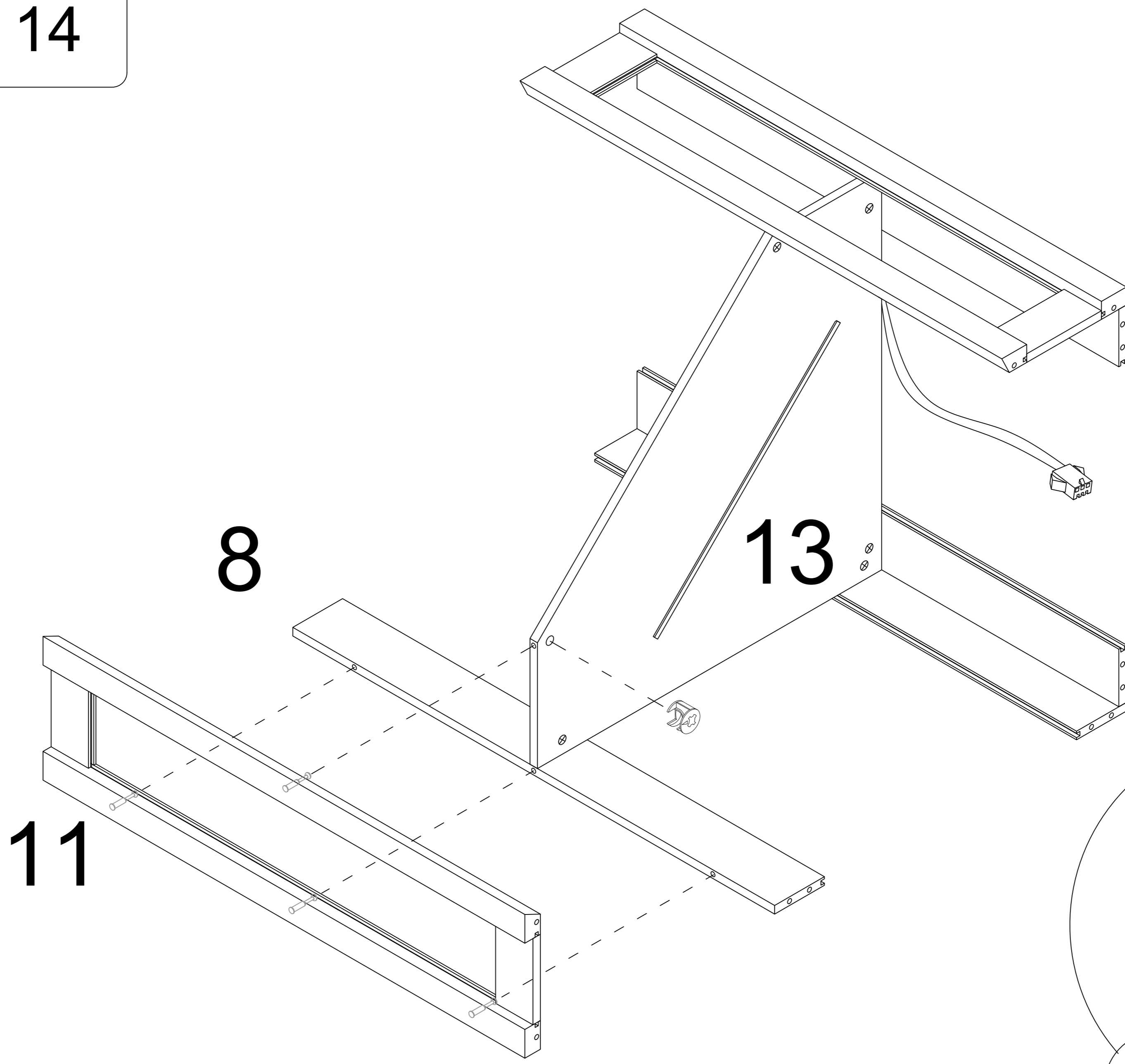
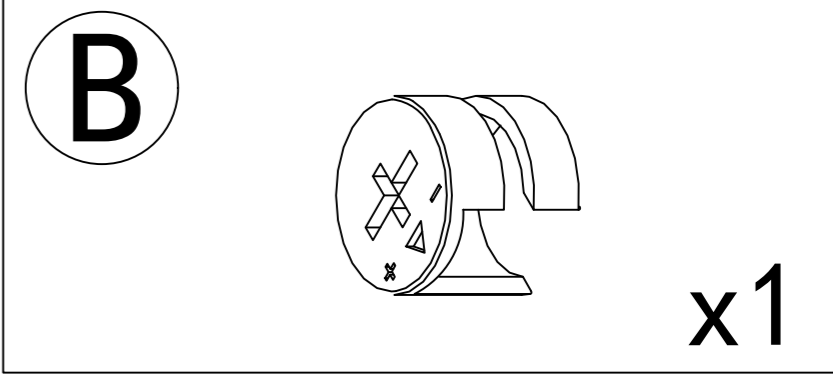
Step 12



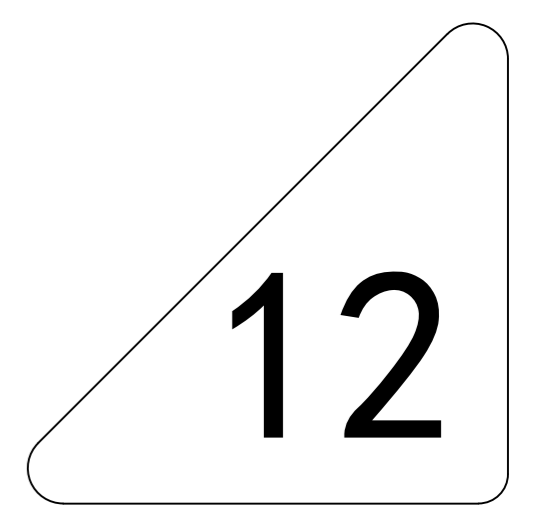
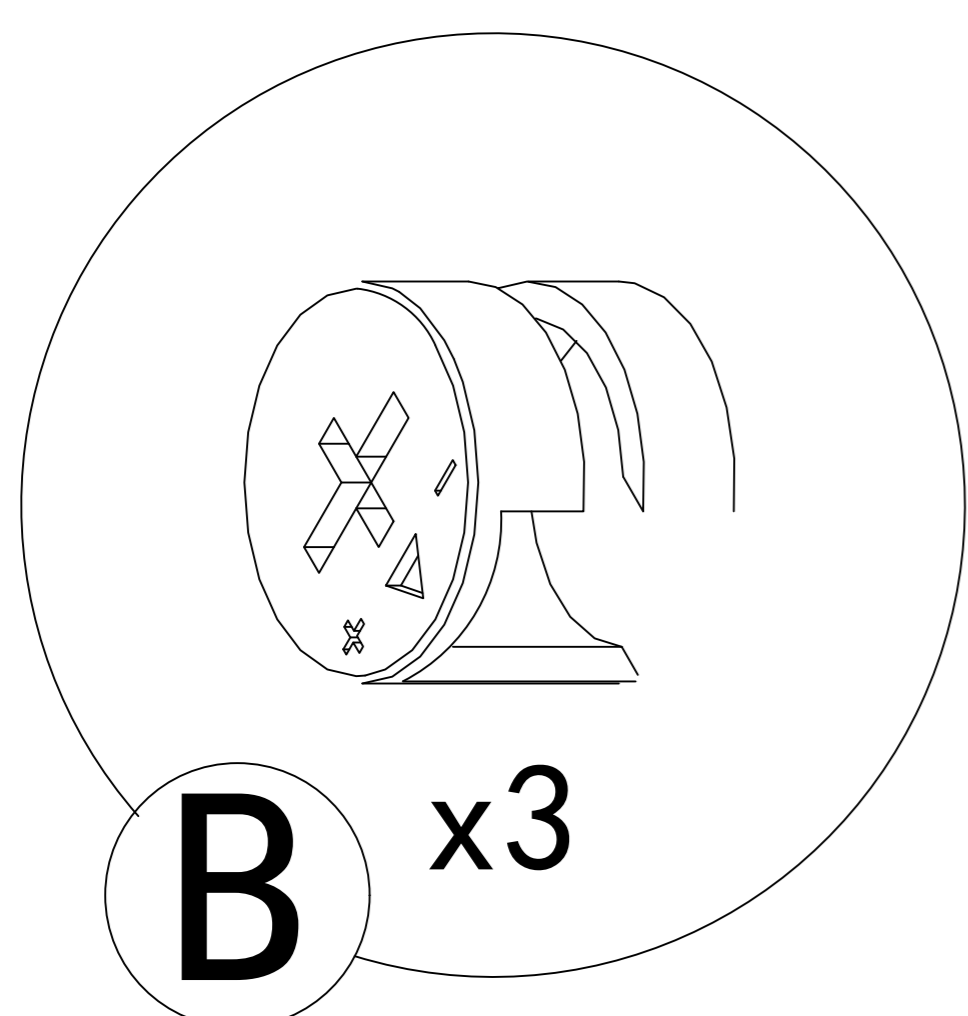
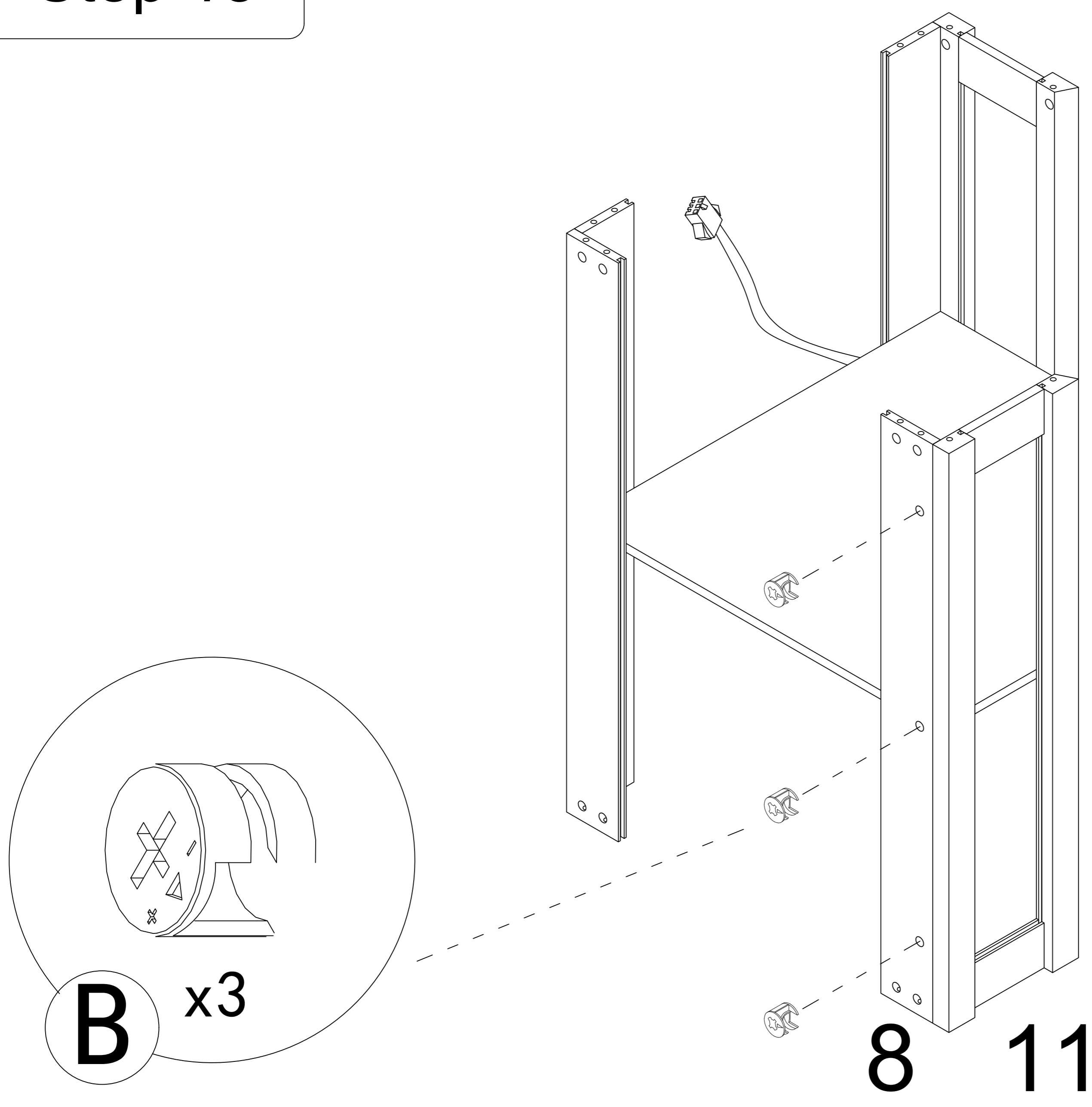
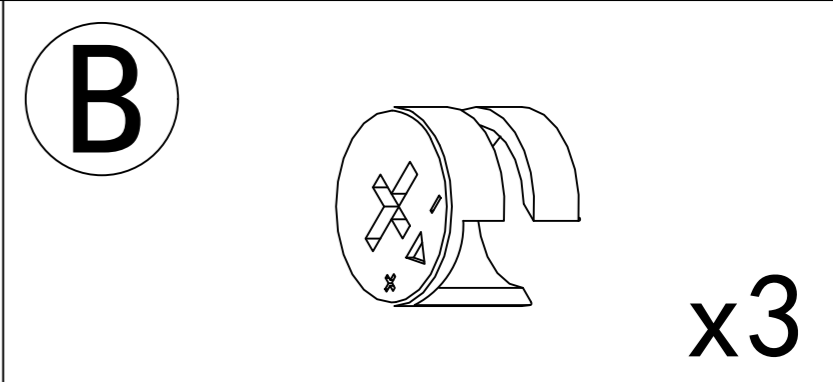
Step 13



Step 14

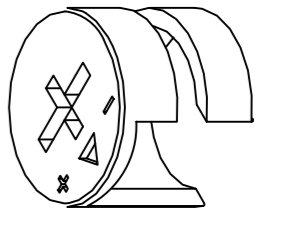


Step 15

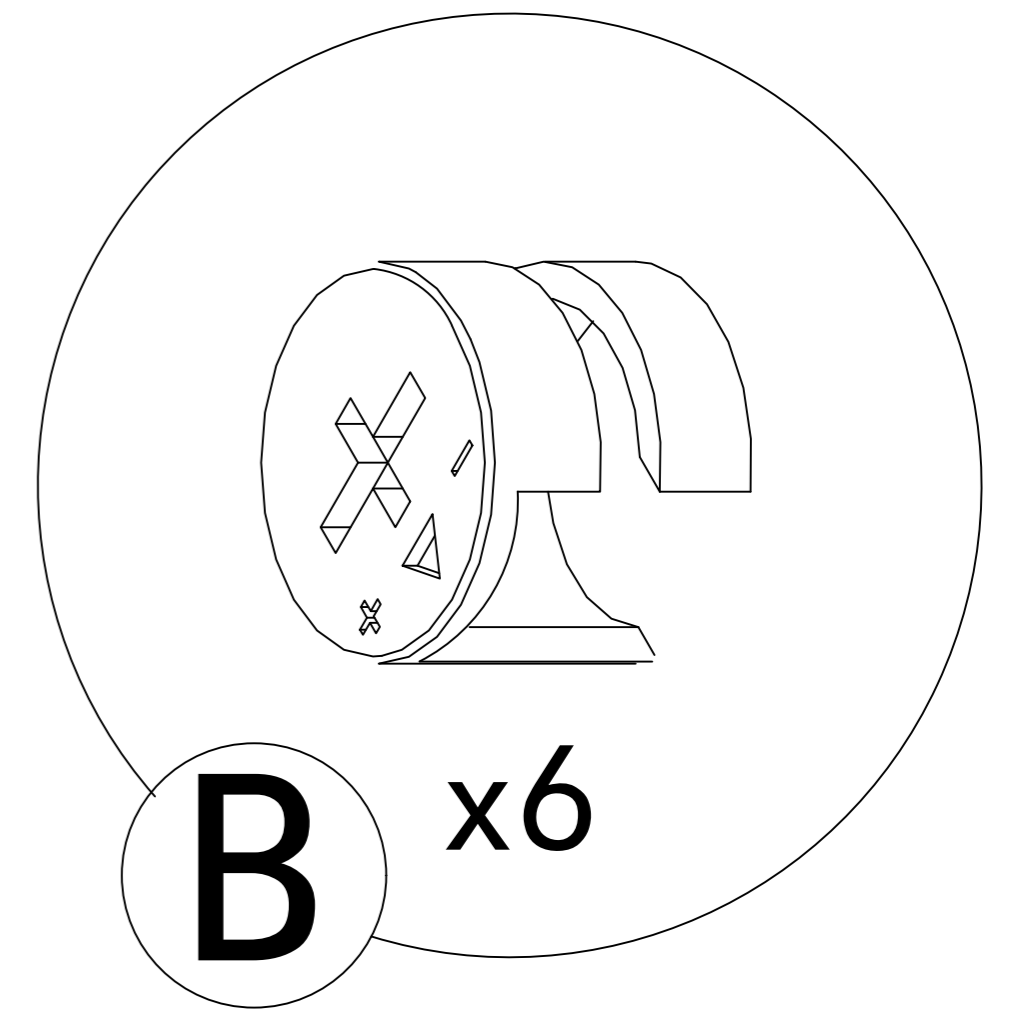
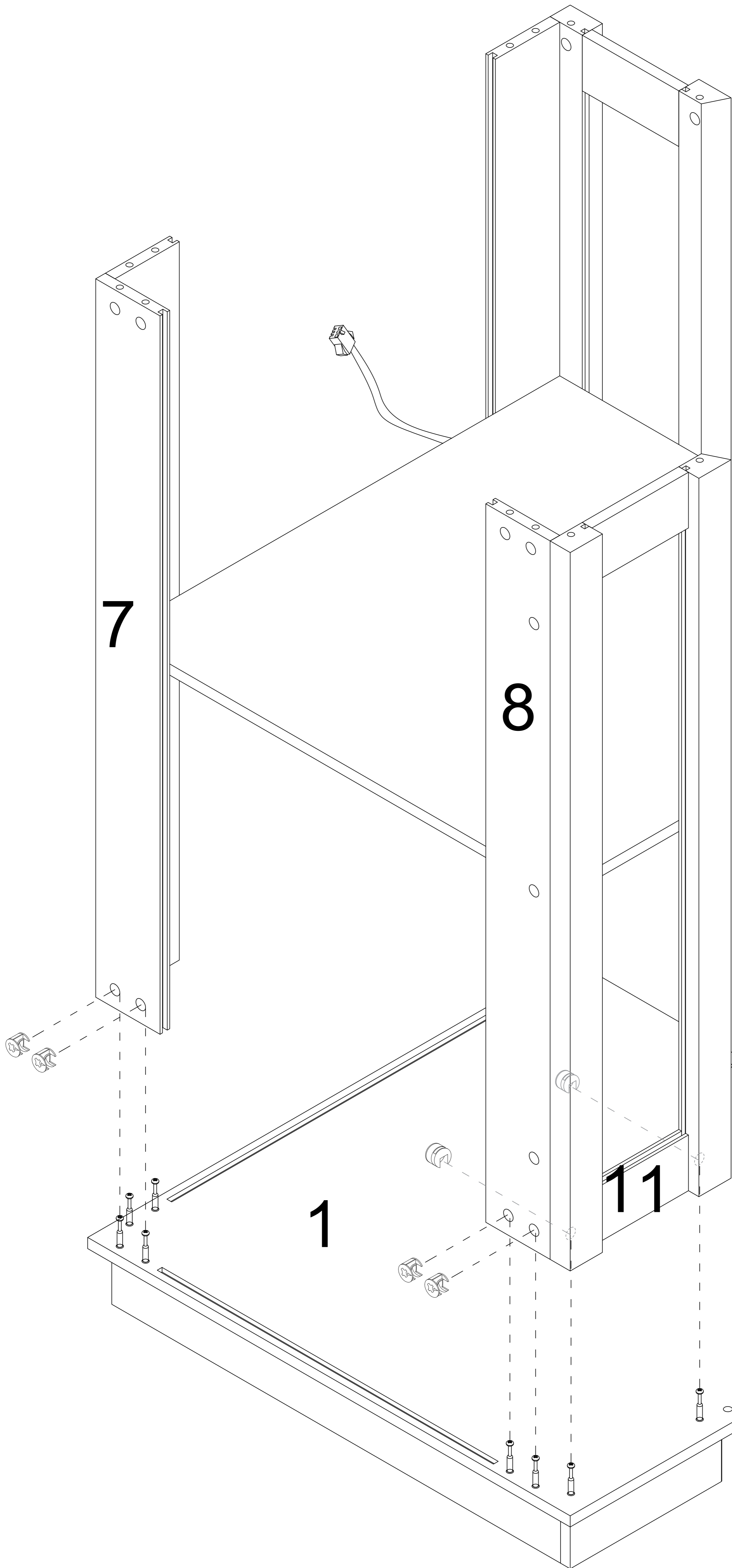


Step 16

B

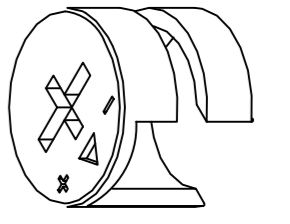


x6

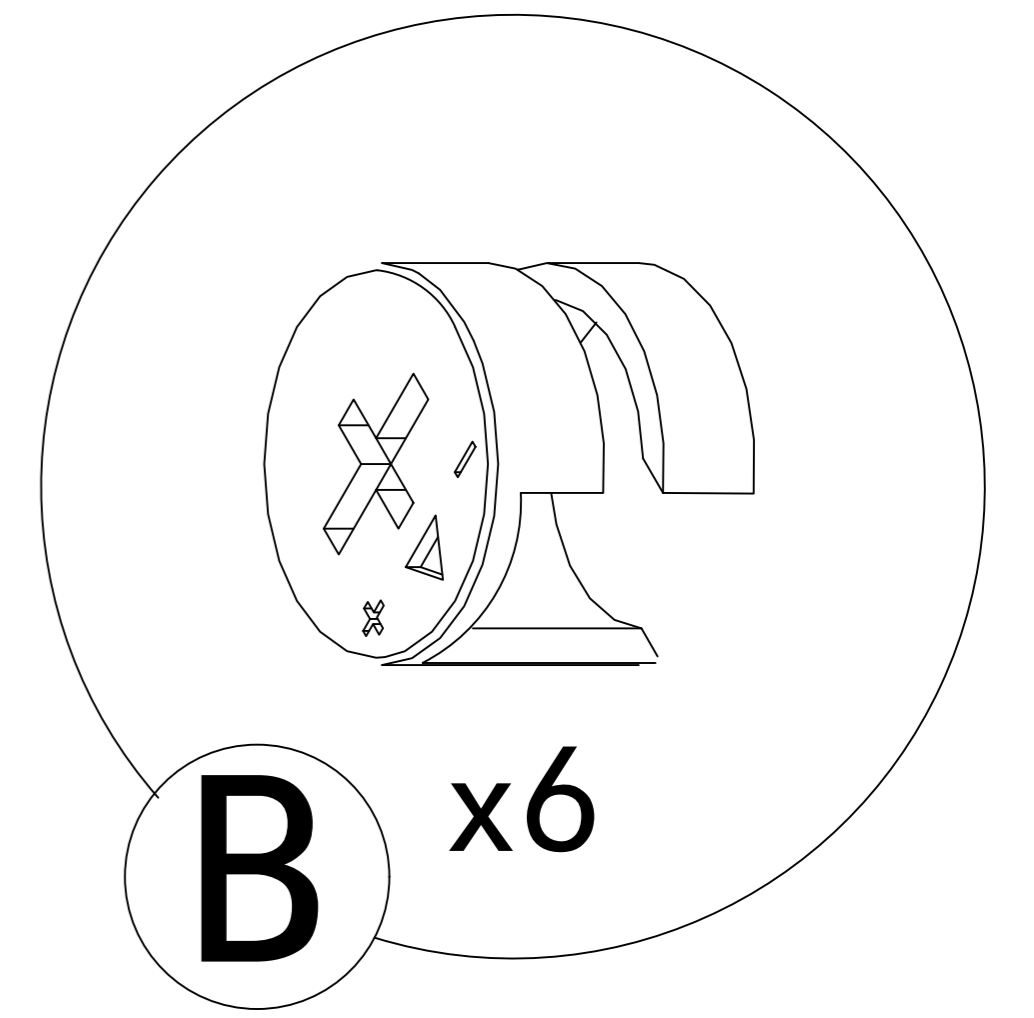
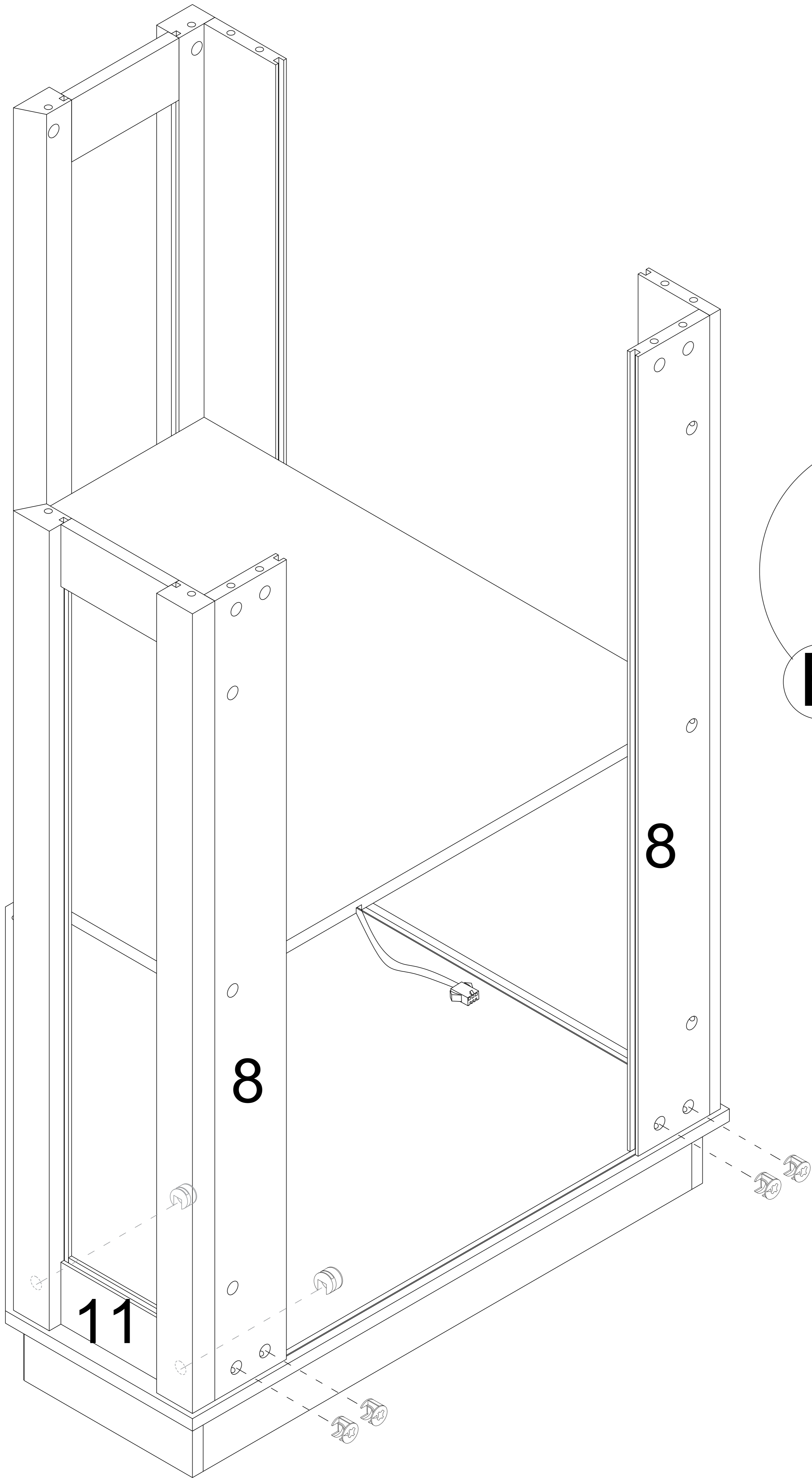


Step 17

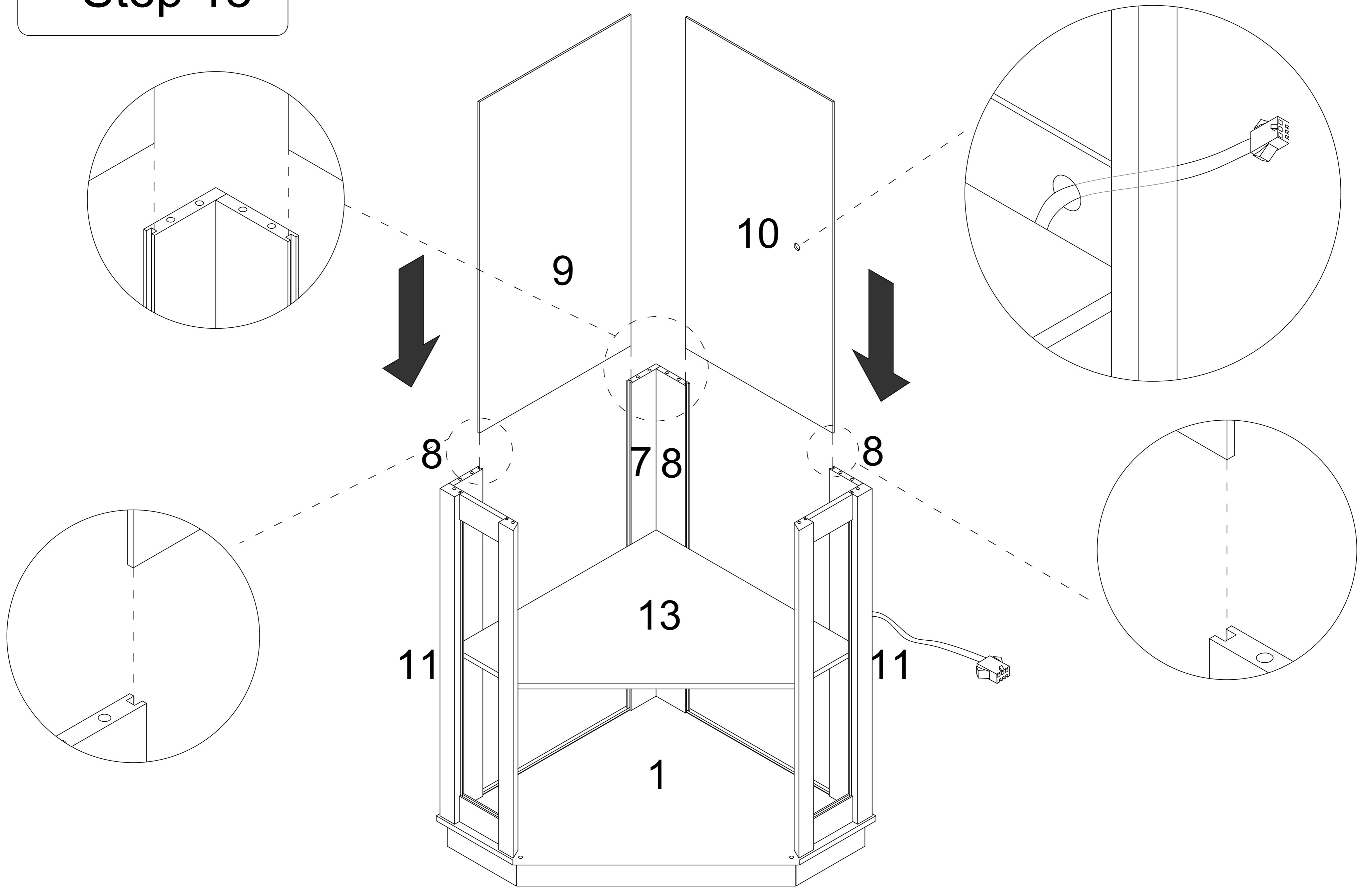
B



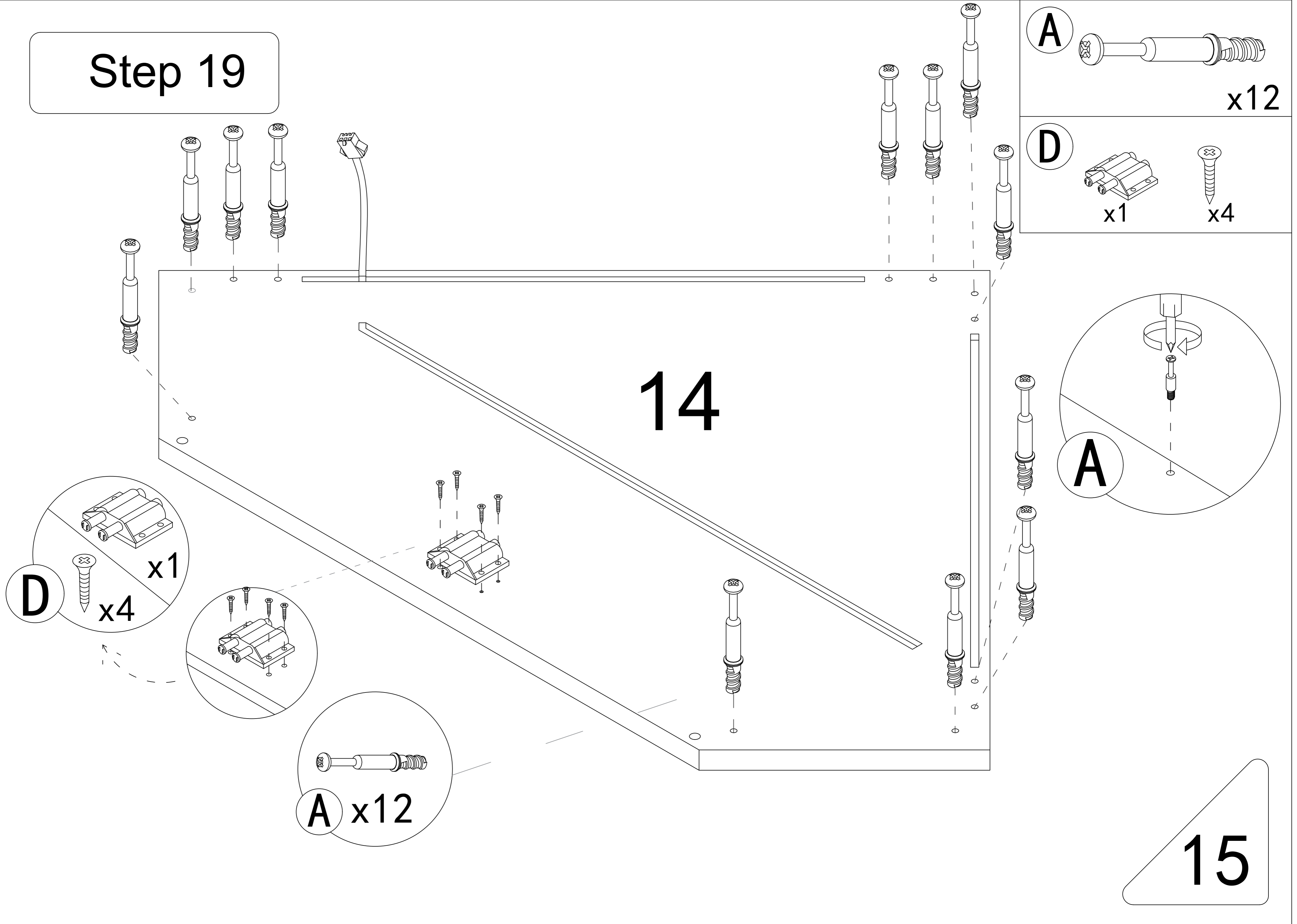
x6



Step 18

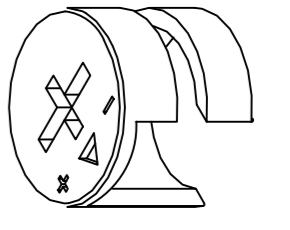


Step 19

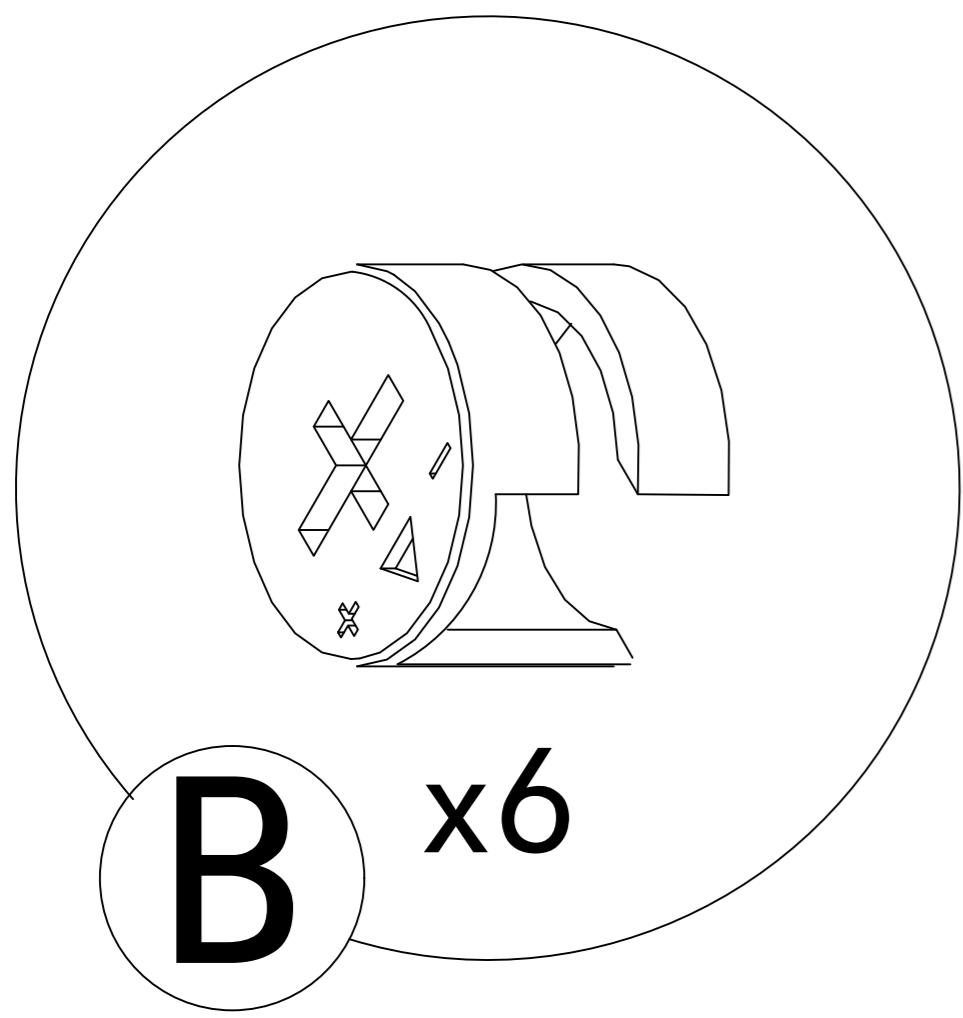


Step 20

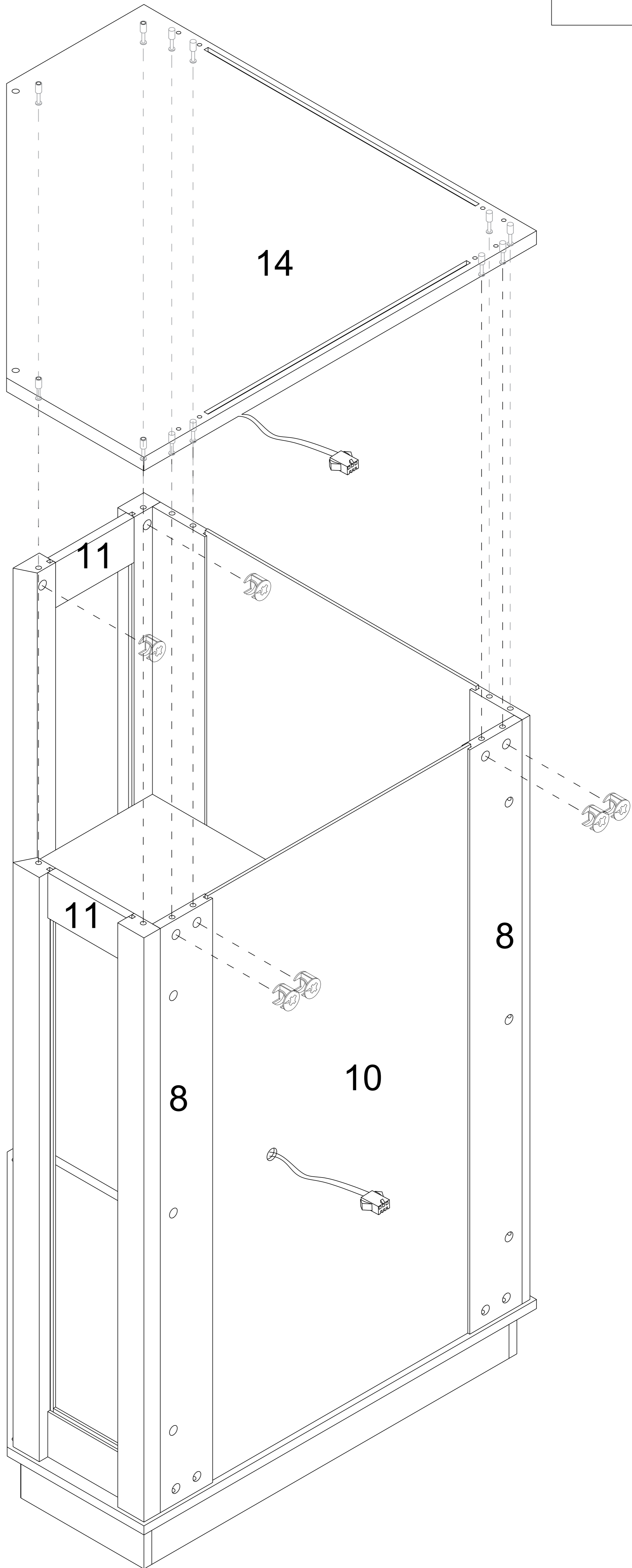
B



x6

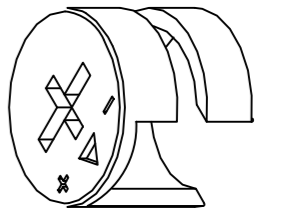


B x6

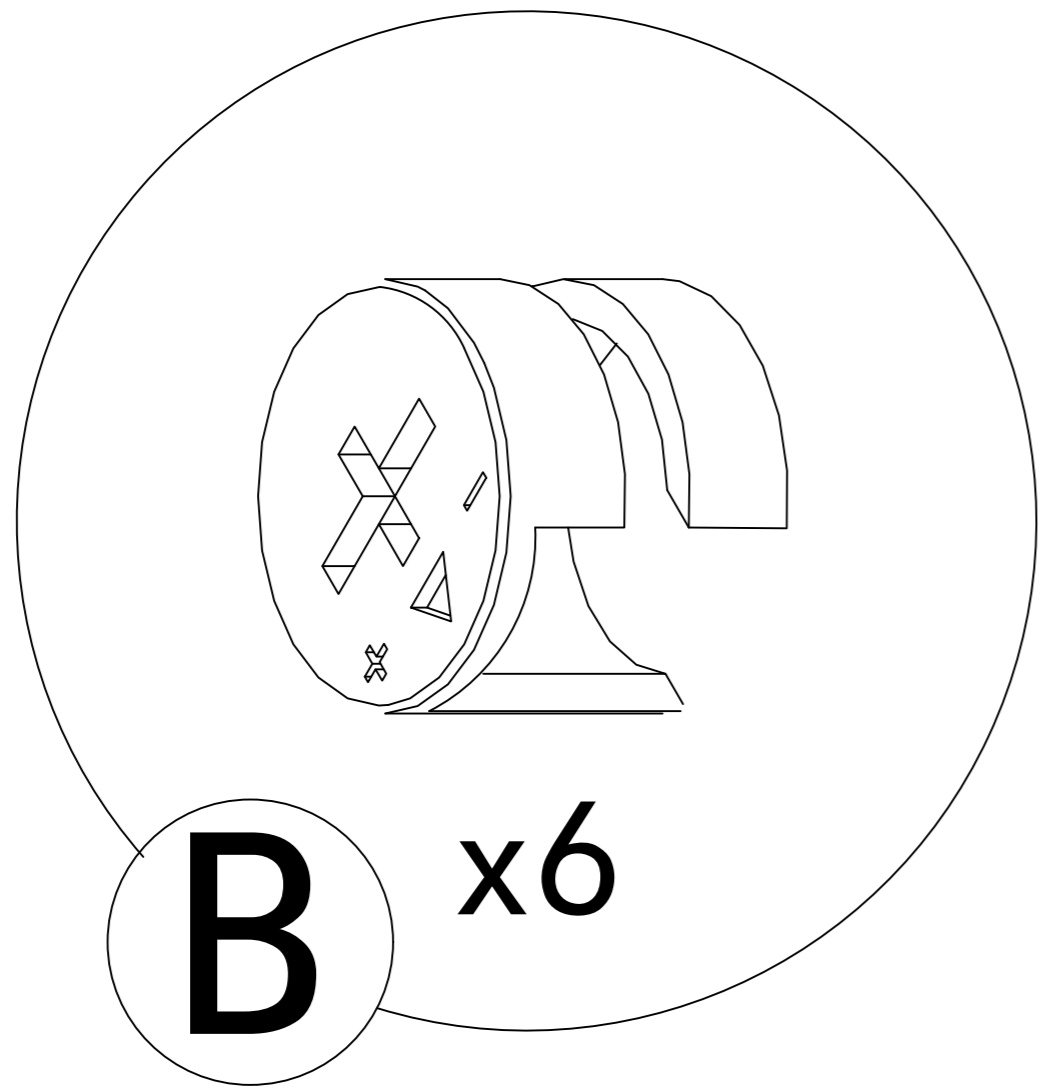


Step 21

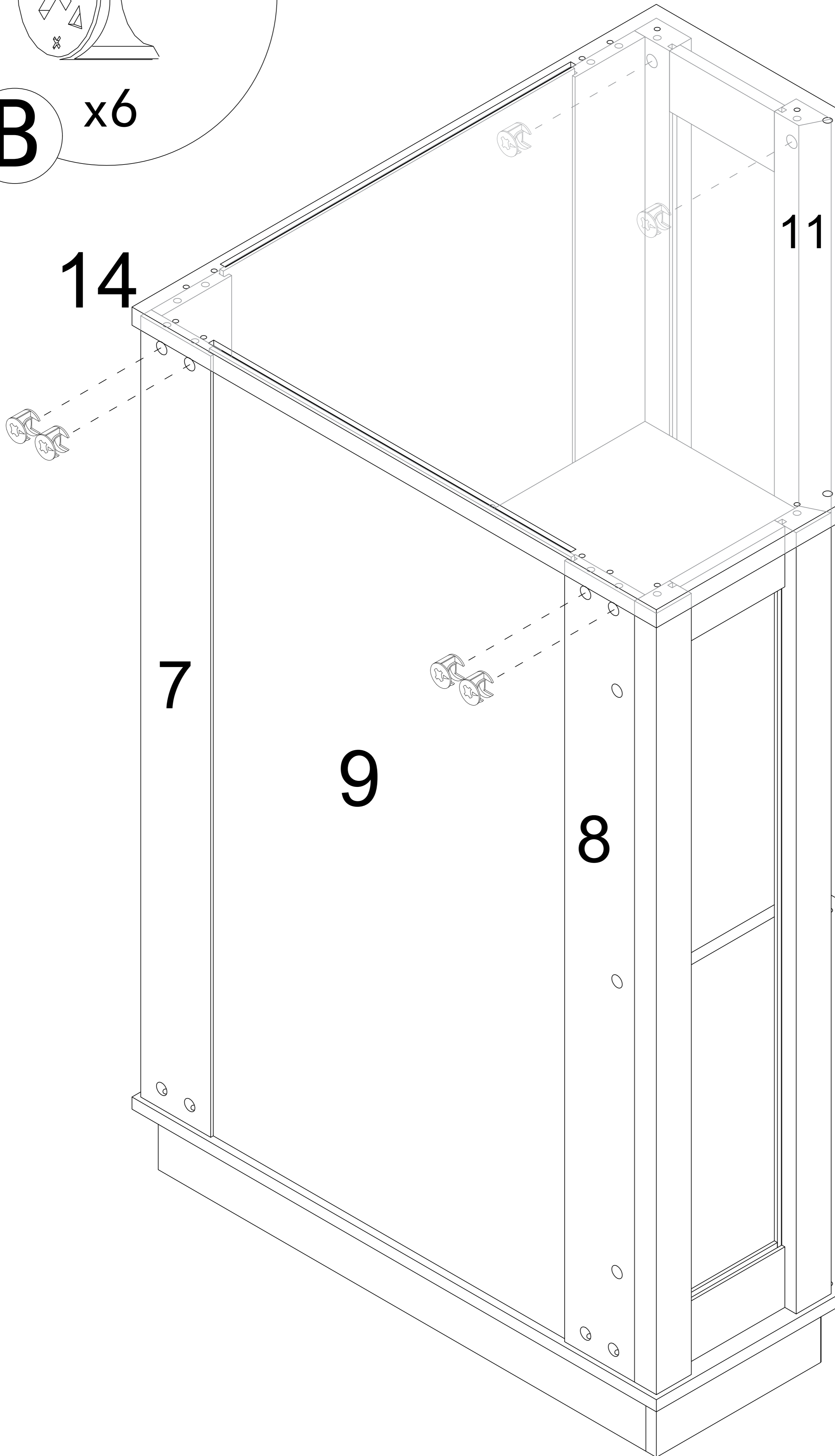
B



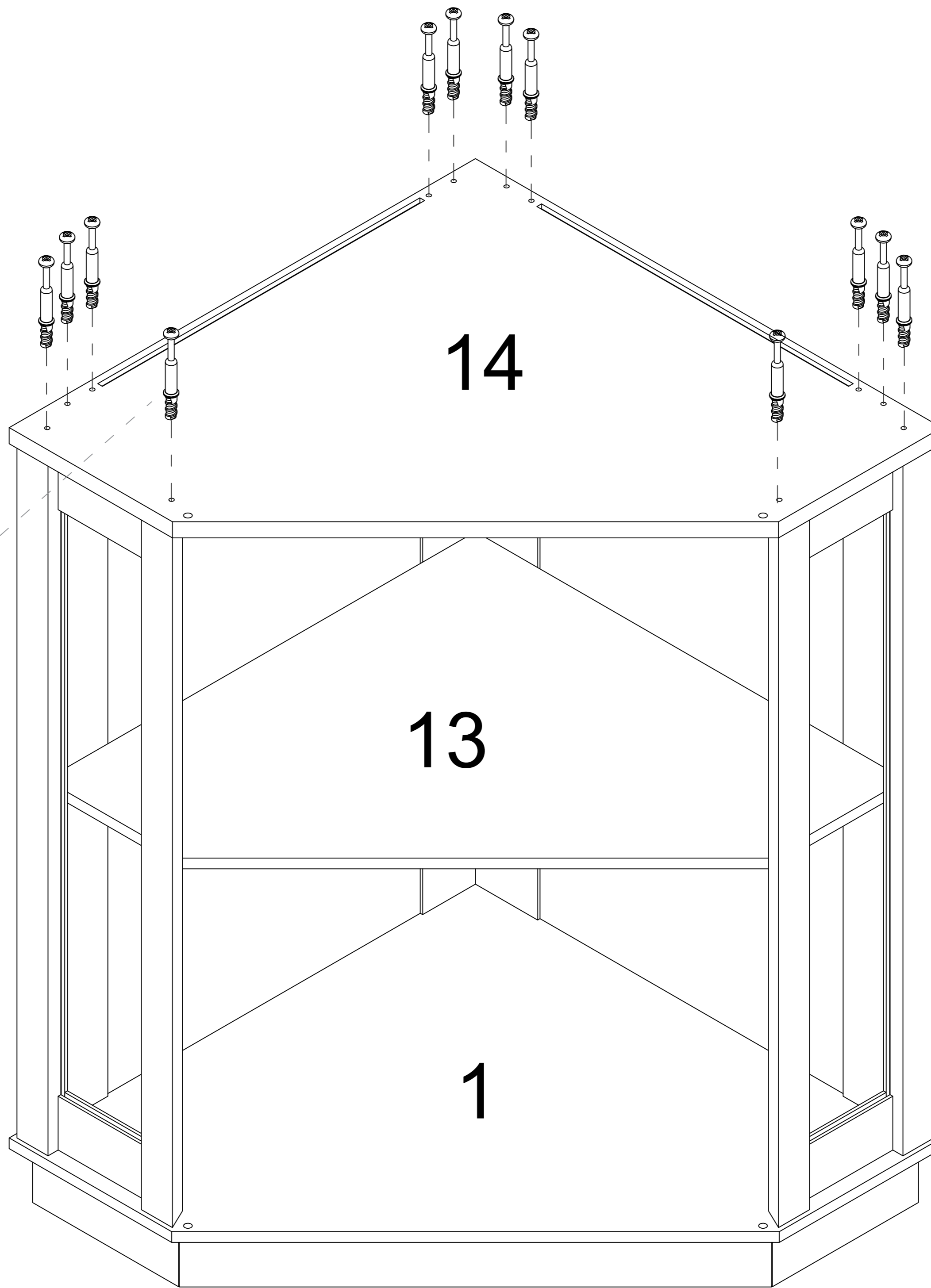
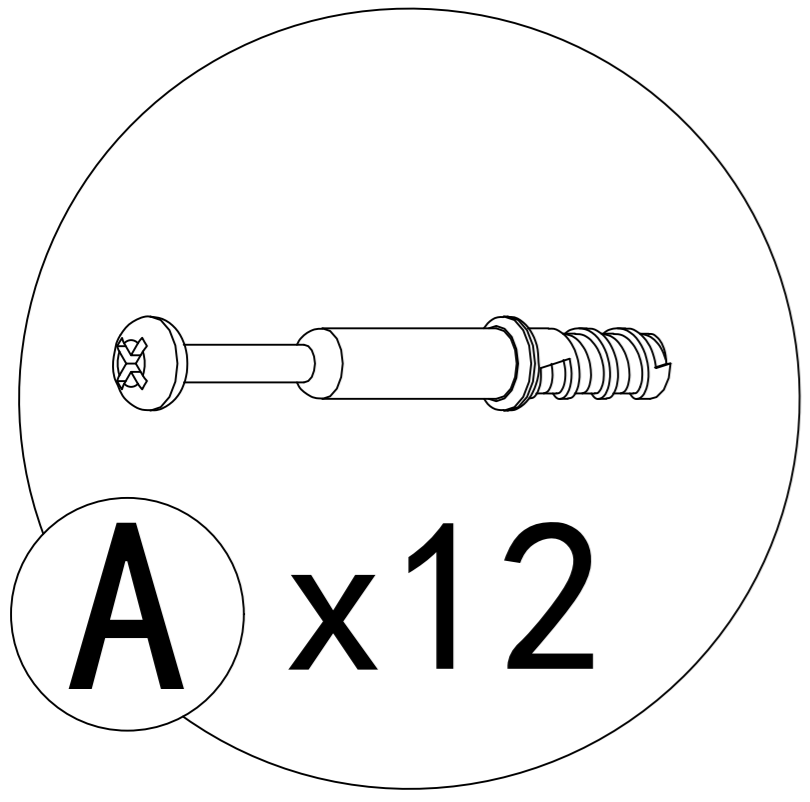
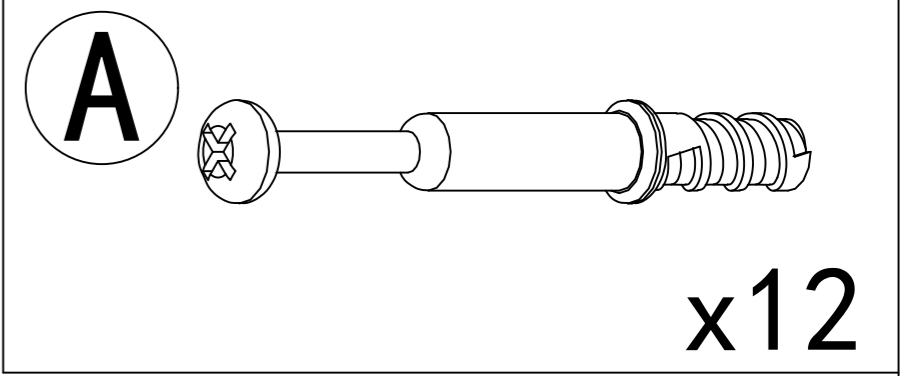
x6



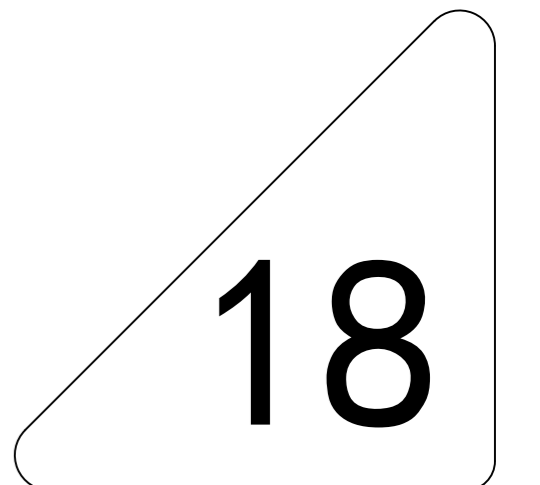
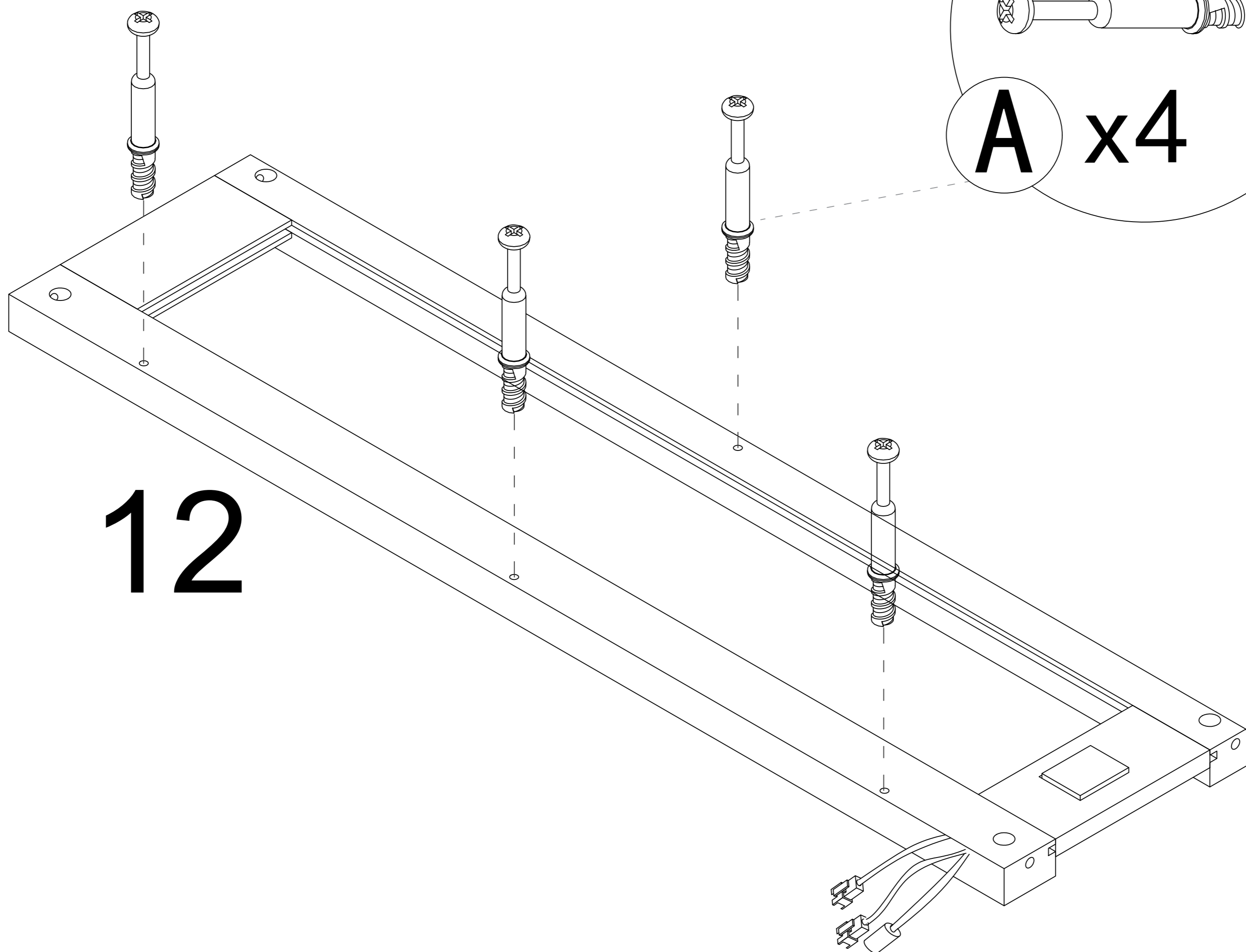
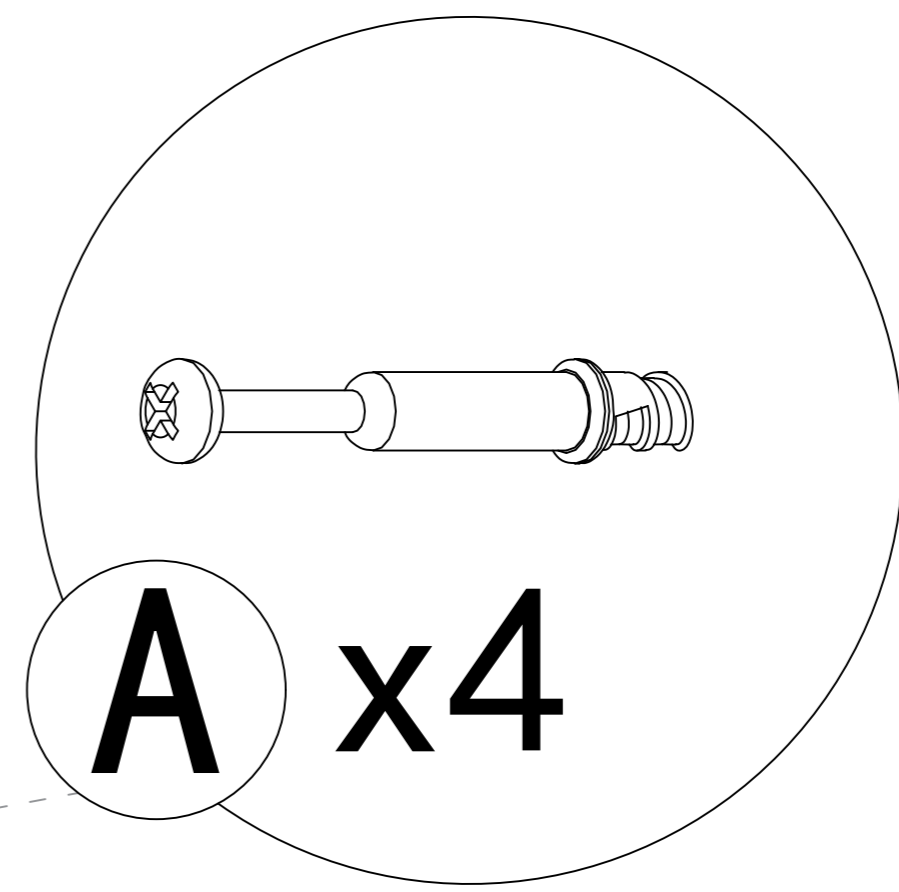
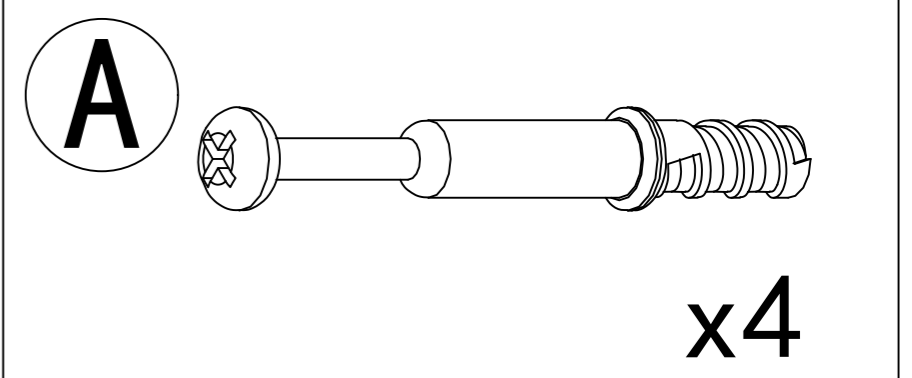
B x6



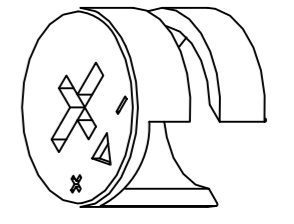
Step 22

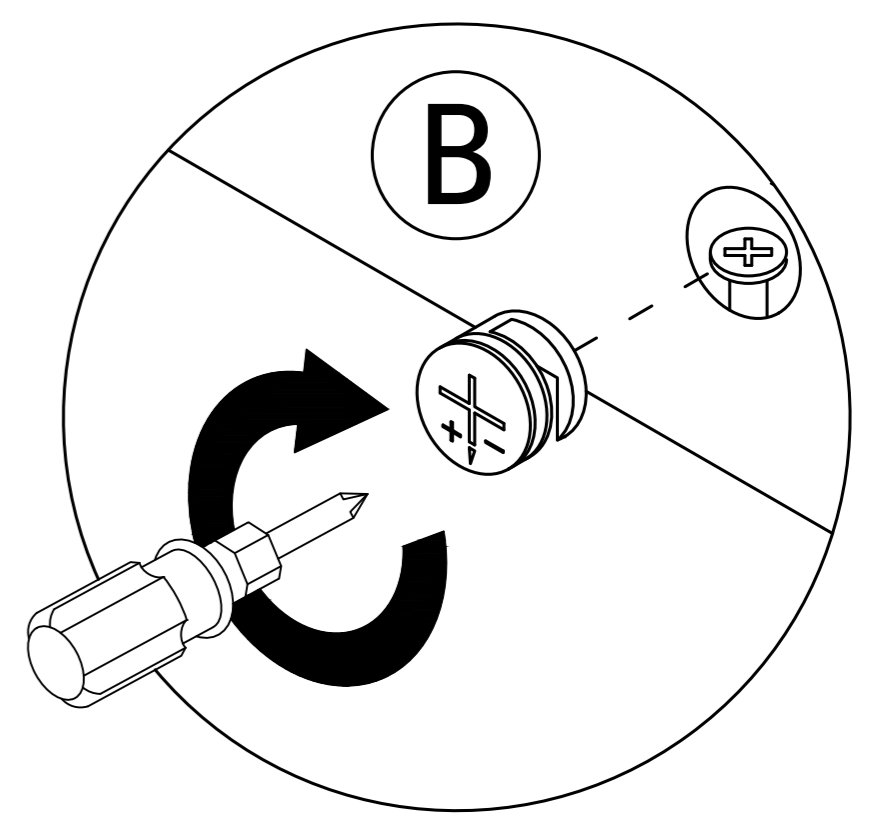
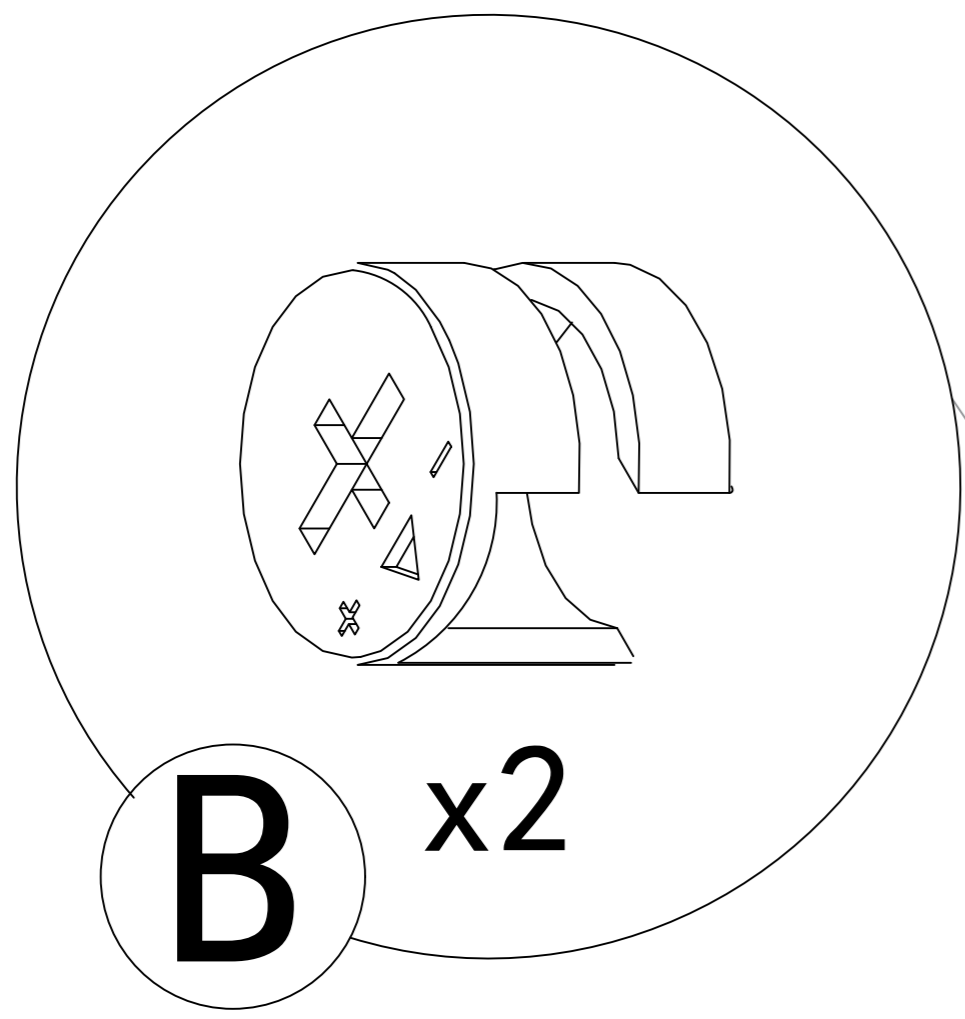


Step 23



Step 24

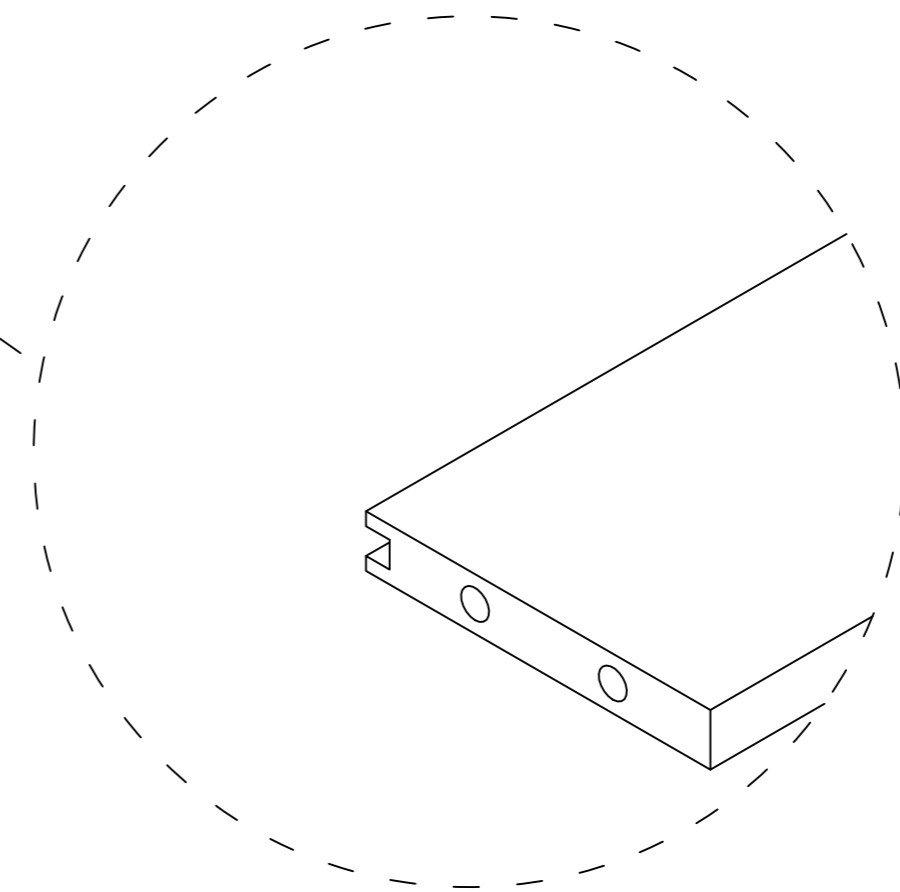
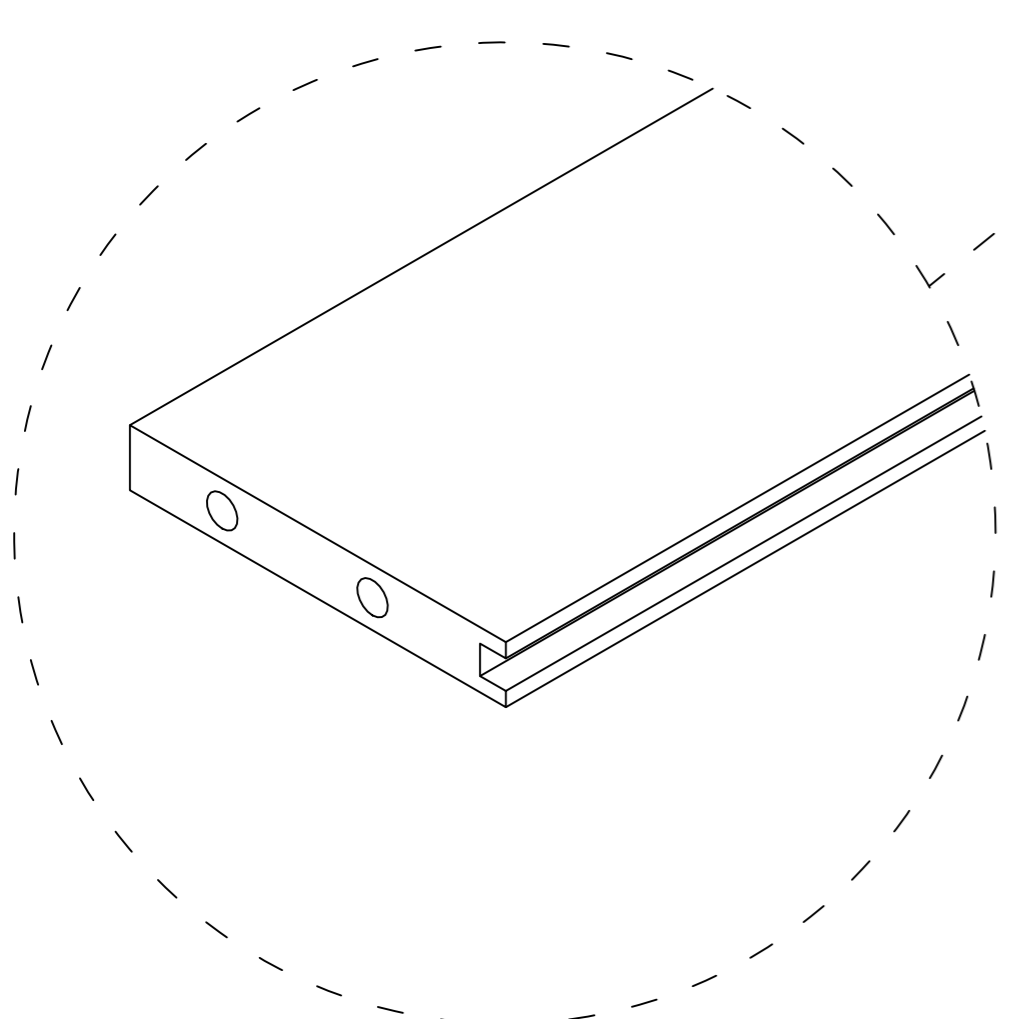
B  x2



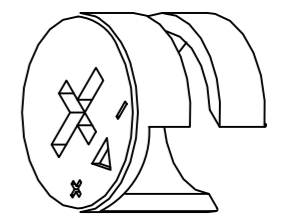
13

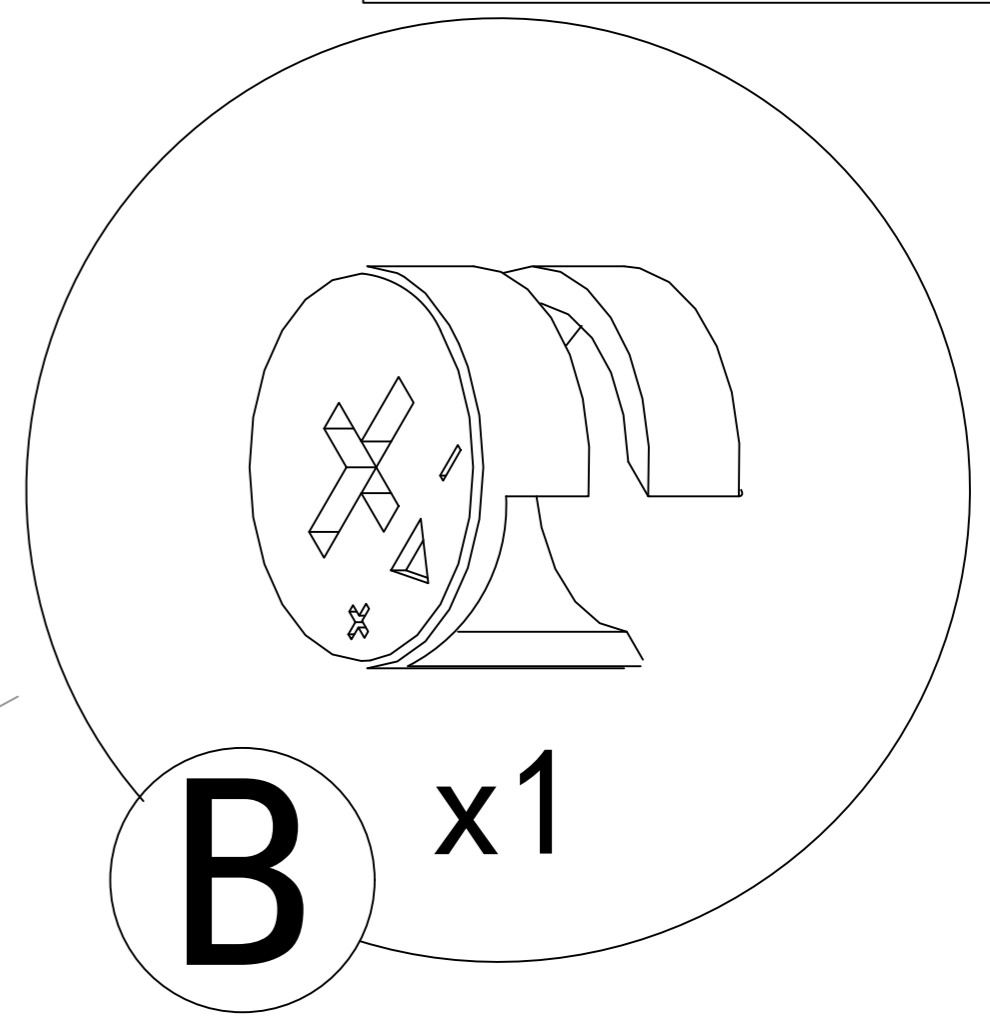
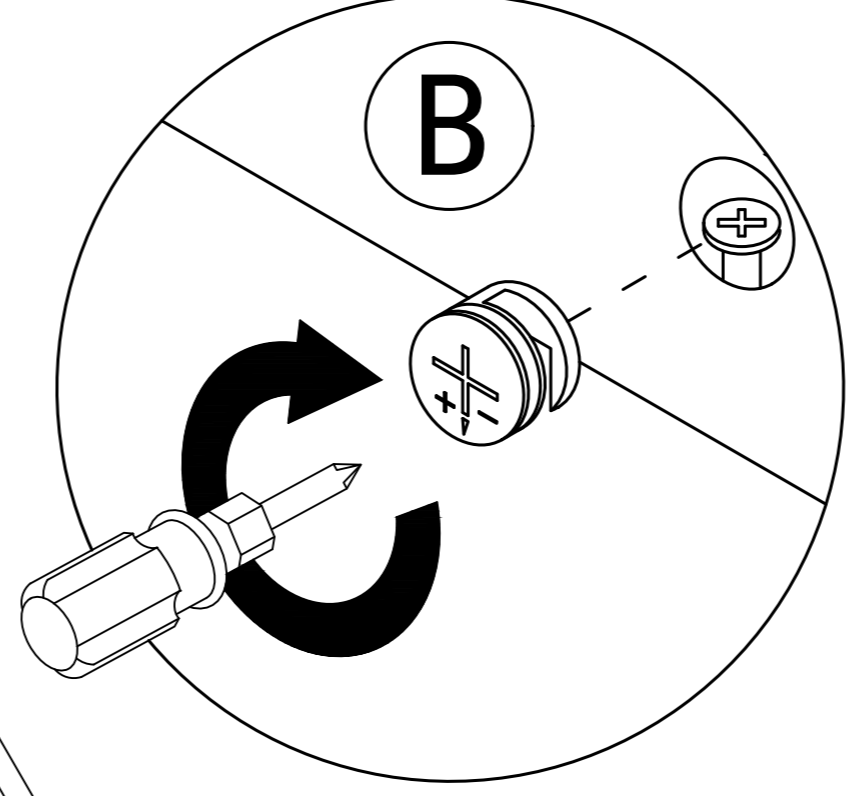
8

8



Step 25

B  x1



13

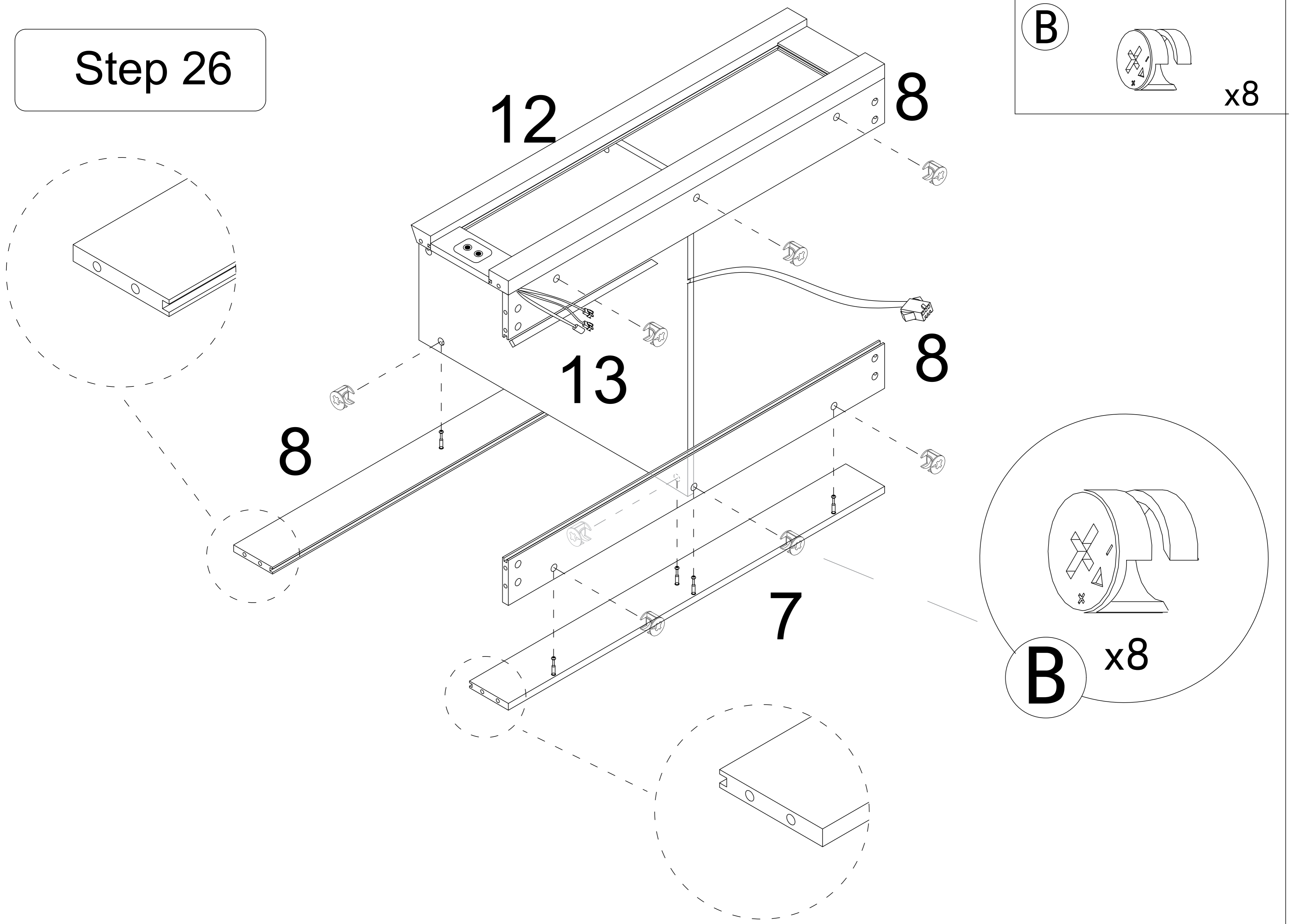
8

8

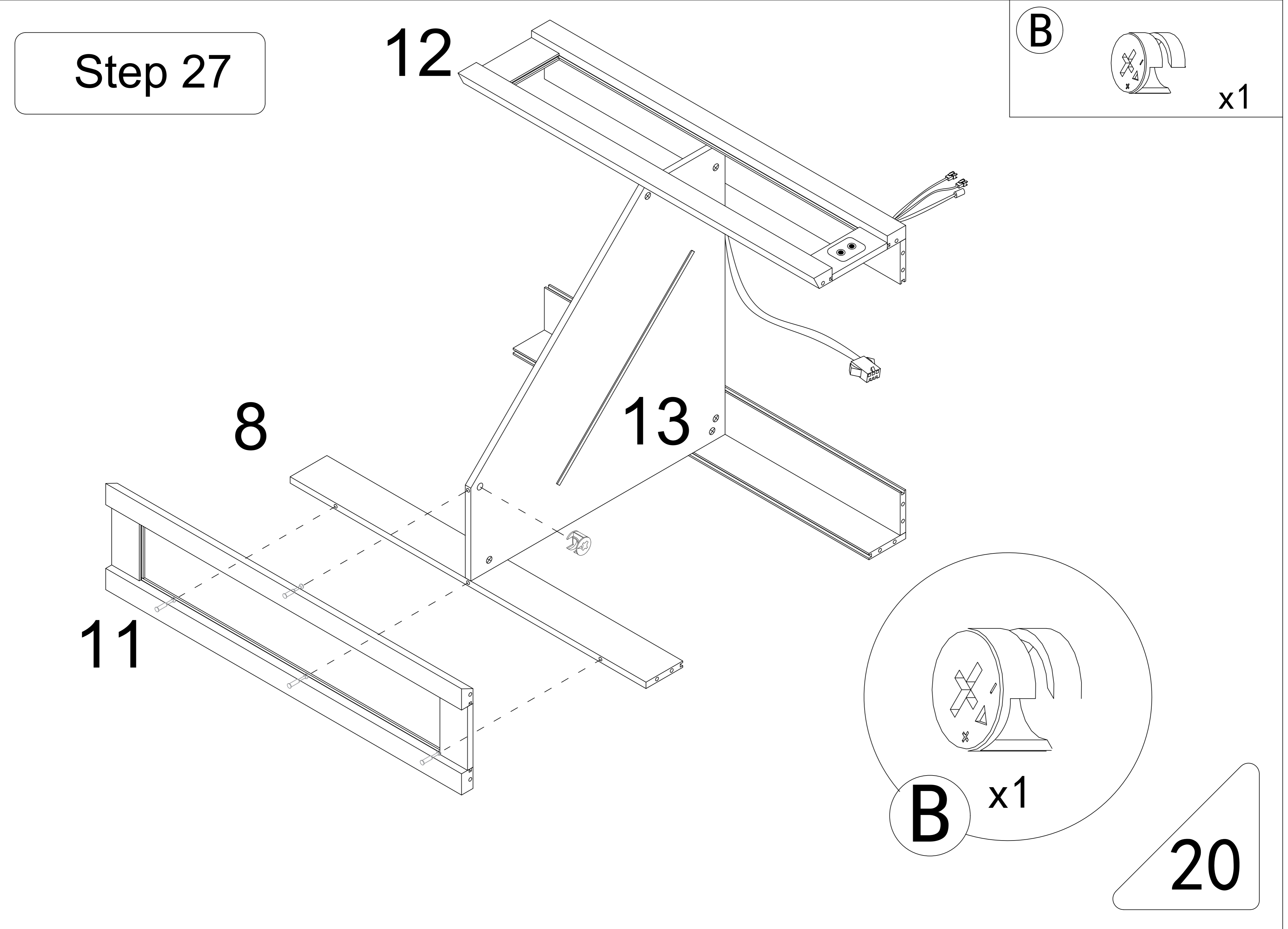
12

19

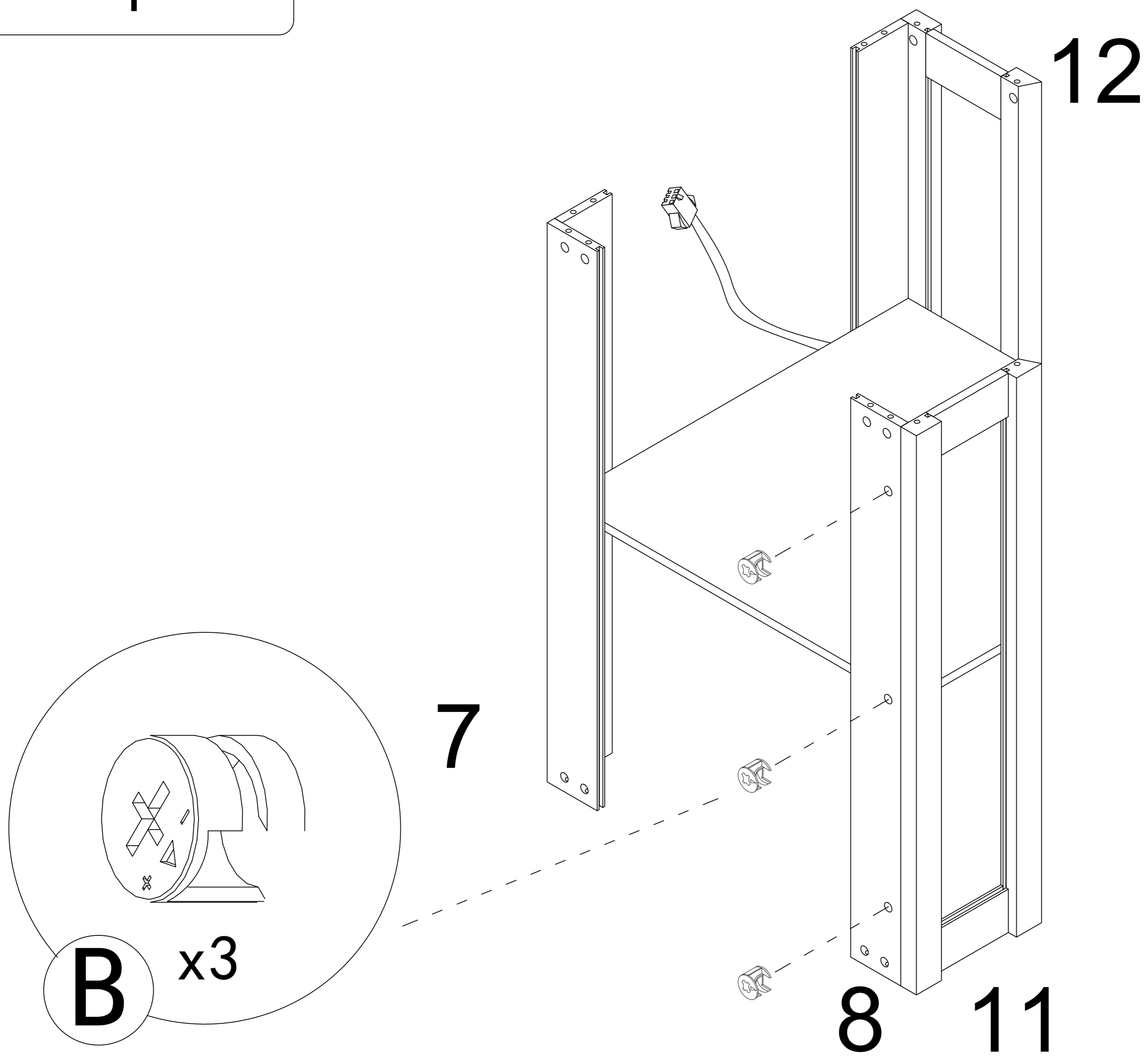
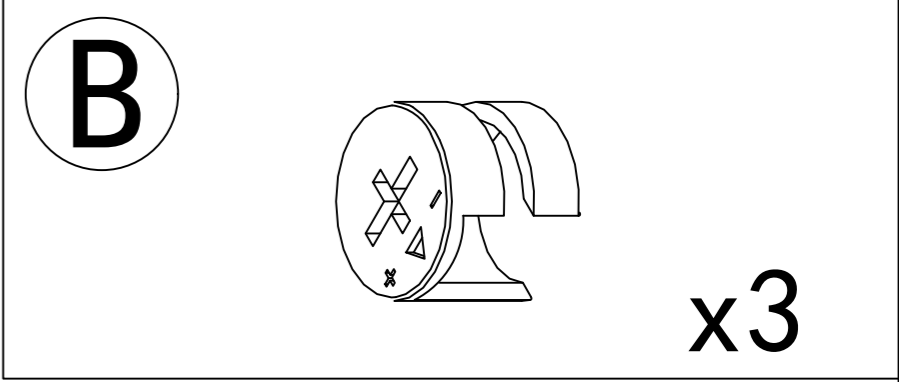
Step 26



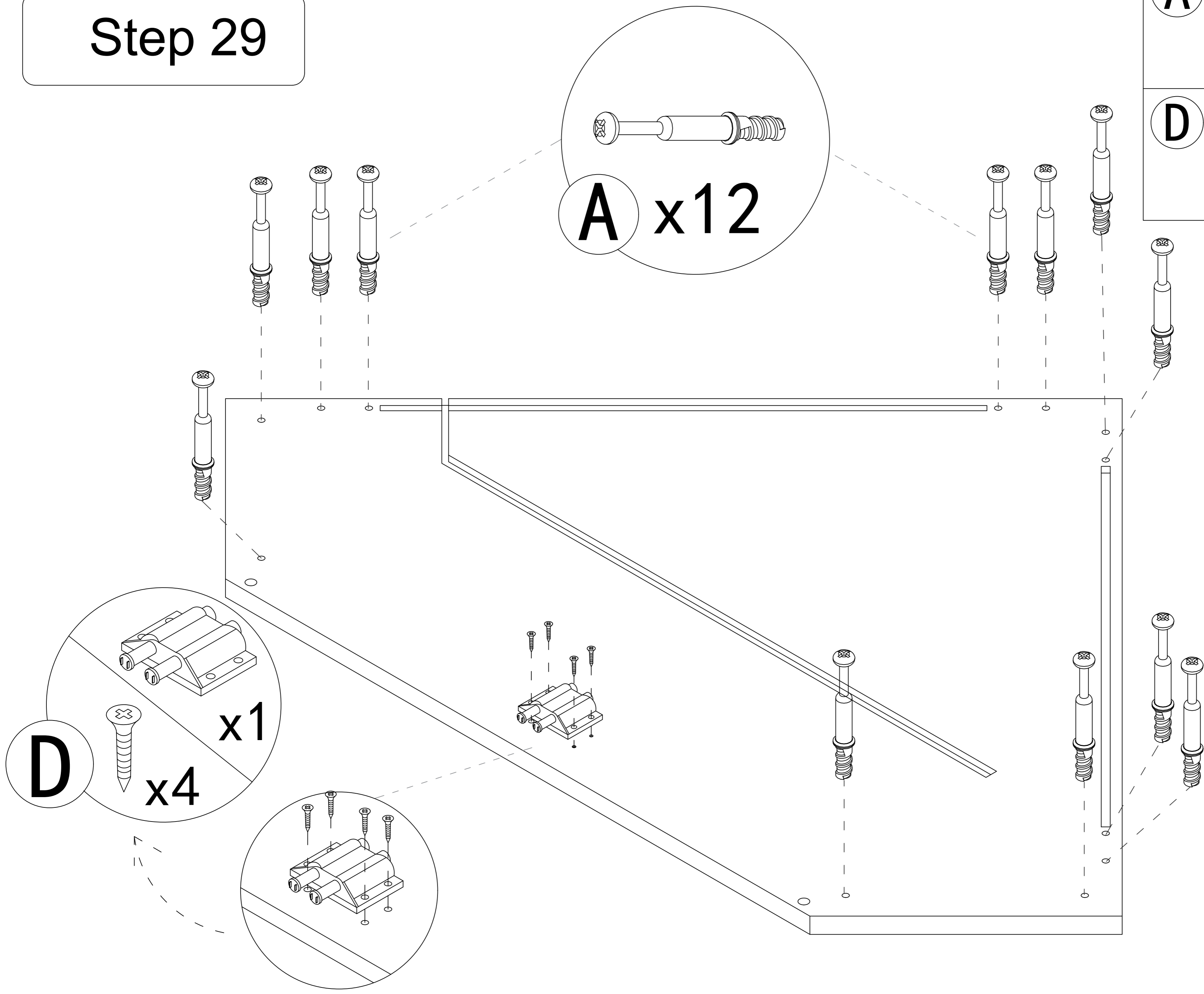
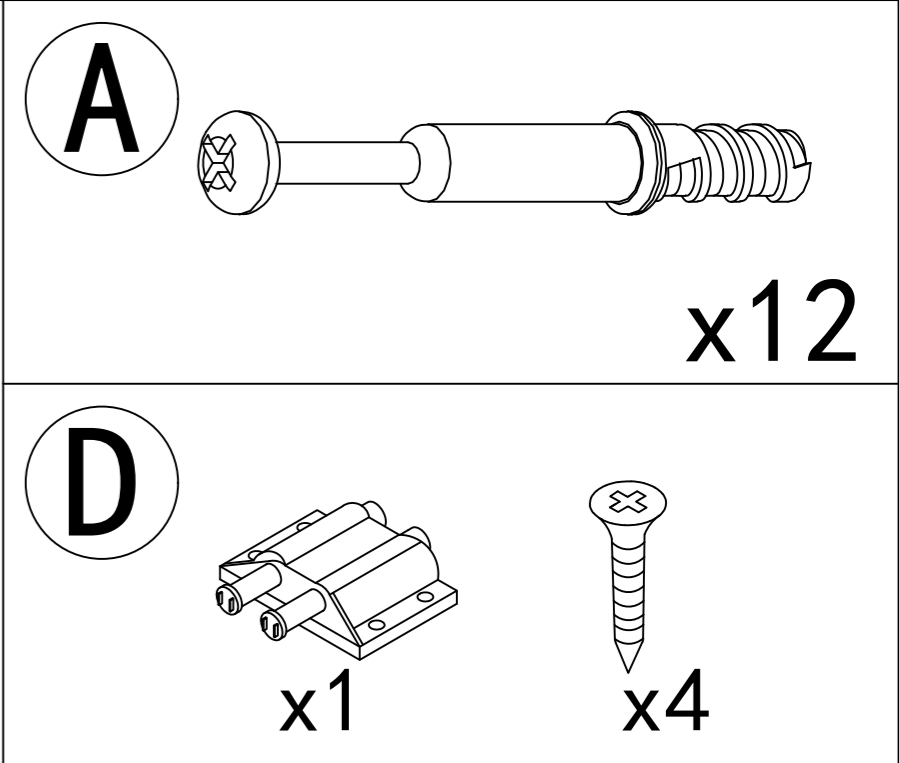
Step 27



Step 28

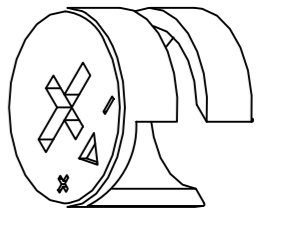


Step 29



Step 30

B



x6

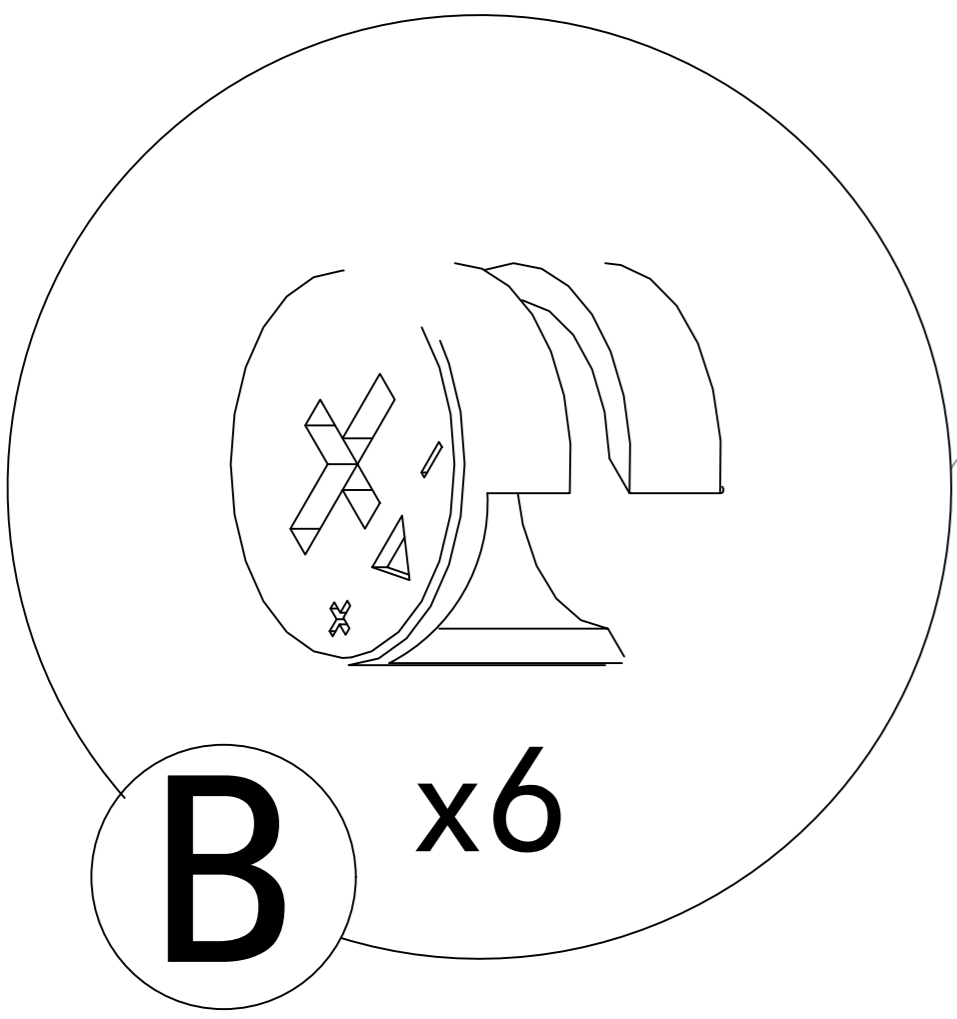
12

7

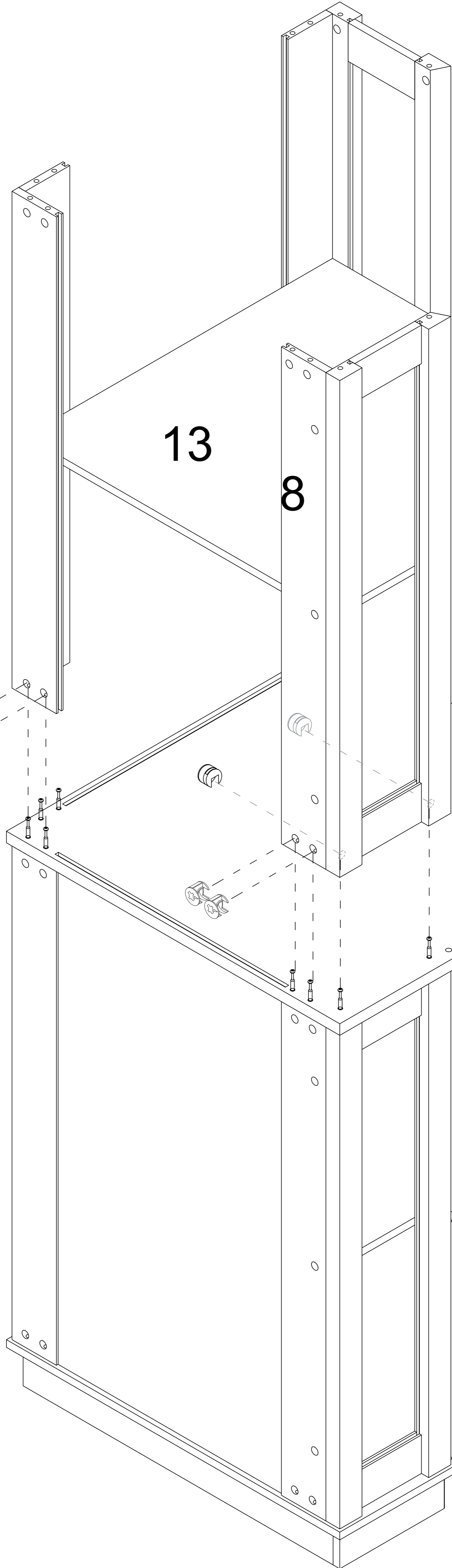
13

8

11

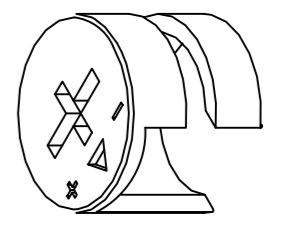


B x6

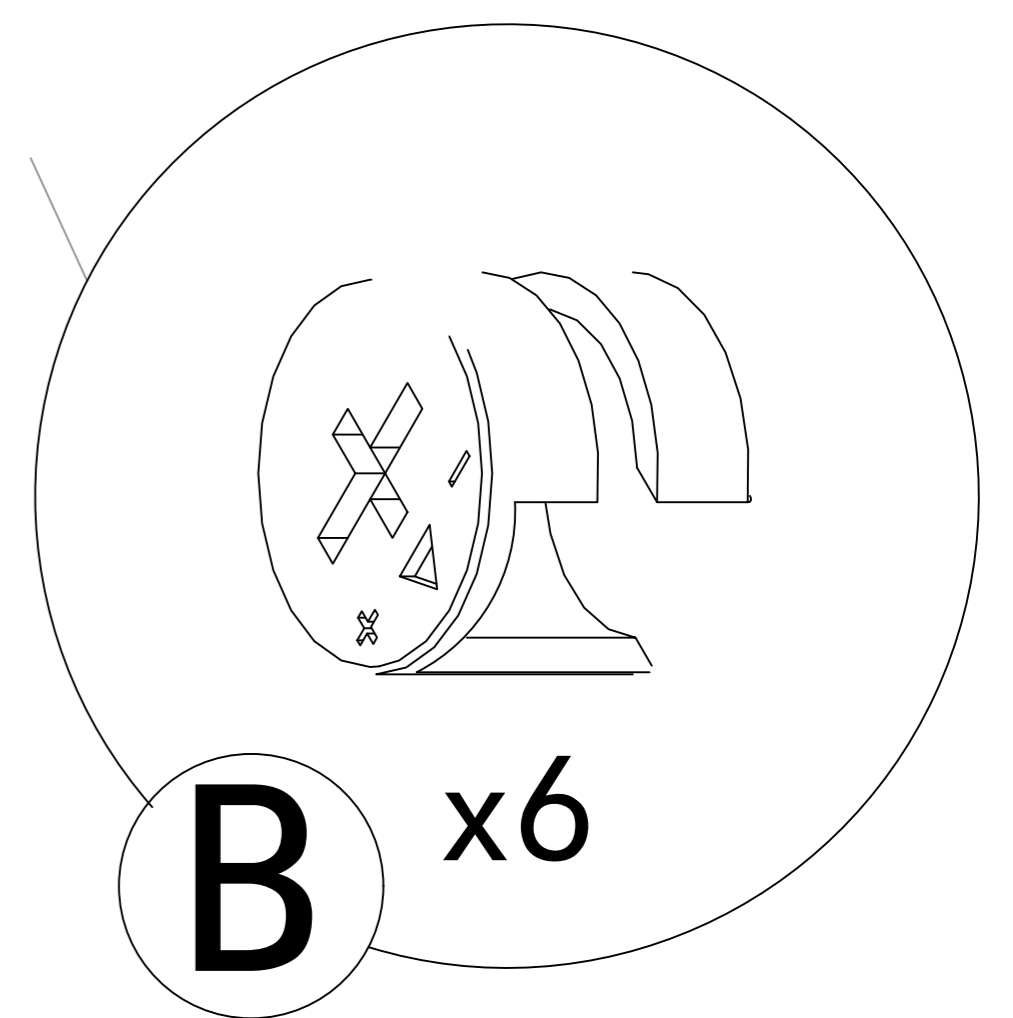
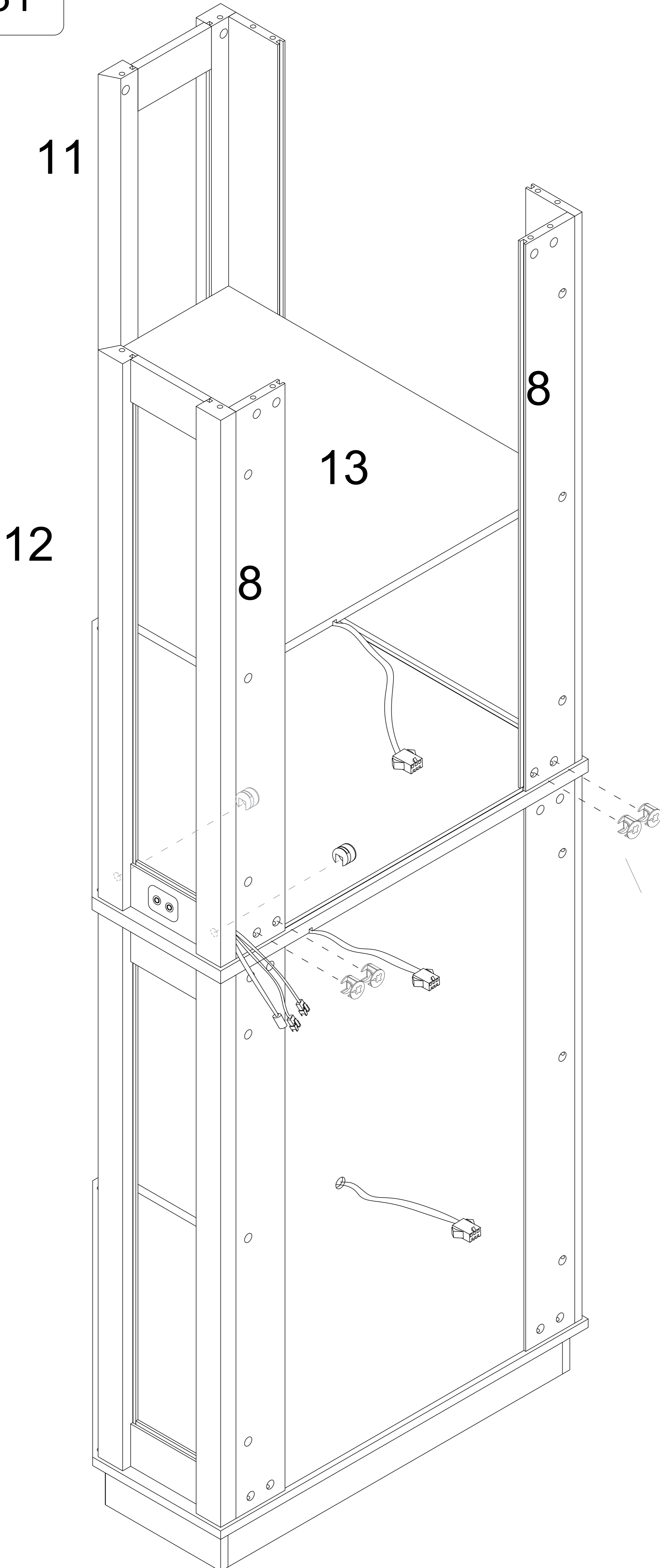


Step 31

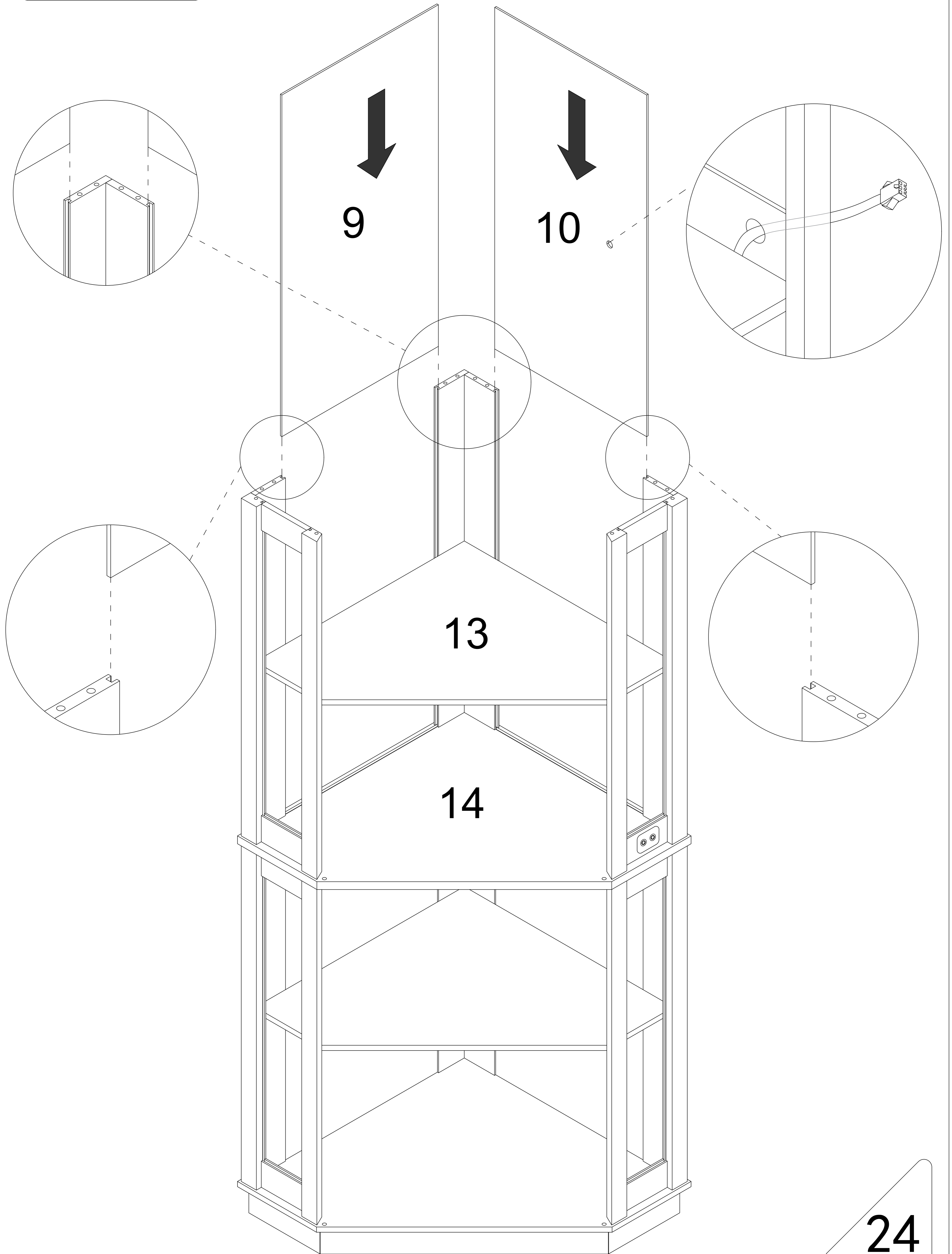
B



x6

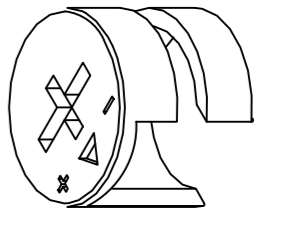


Step 32

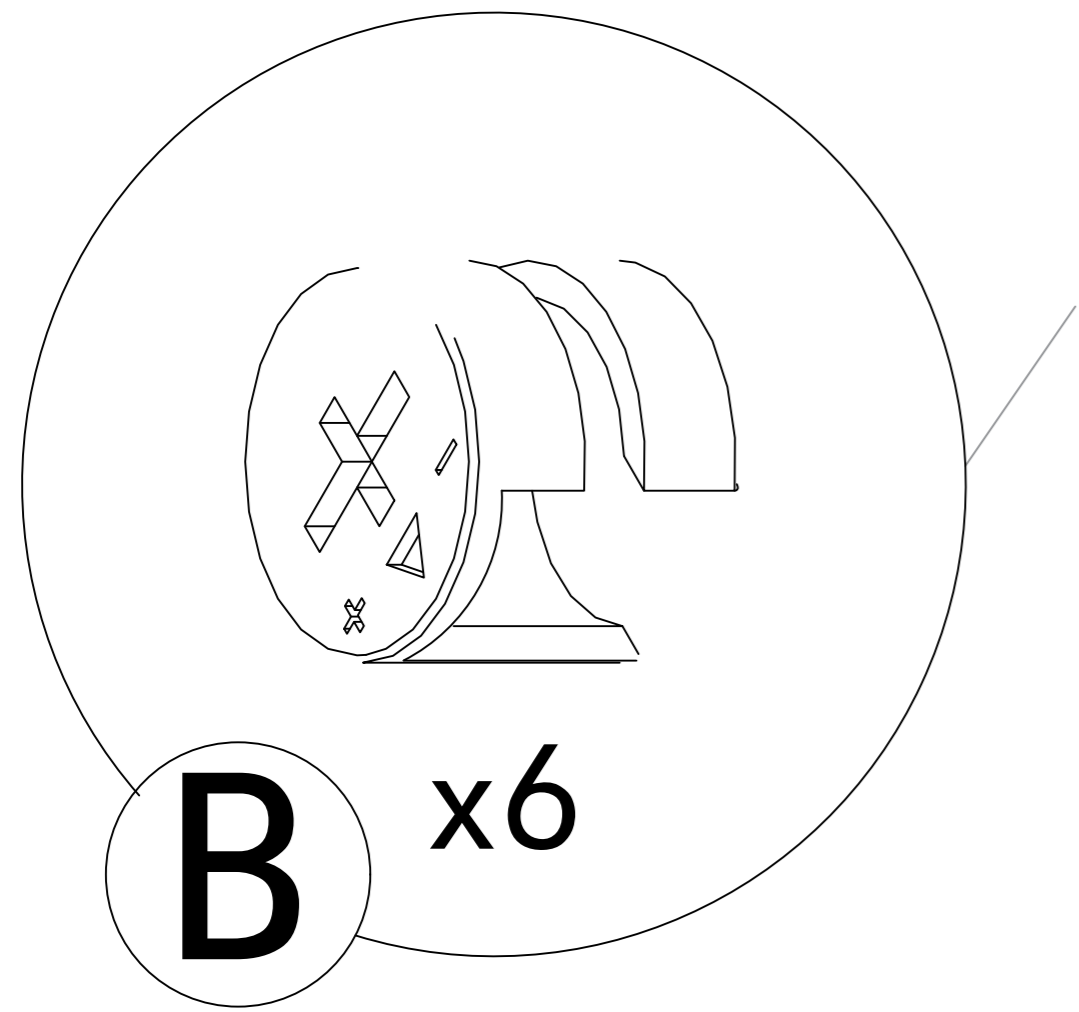
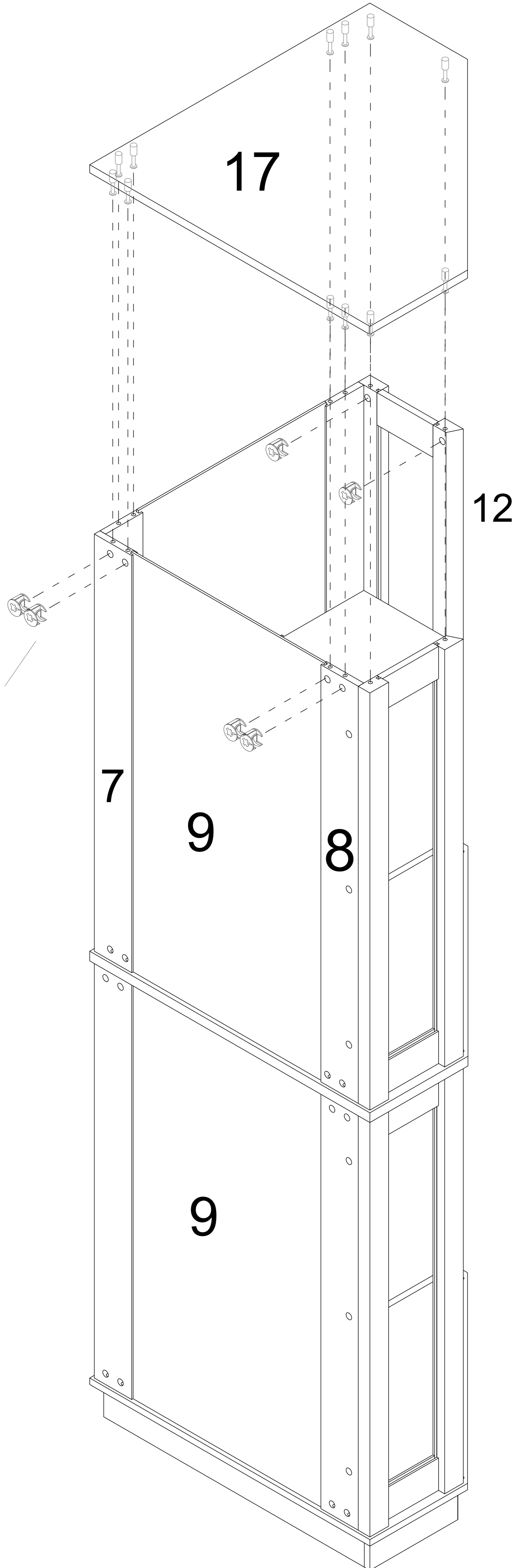


Step 33

B



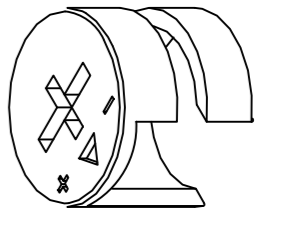
x6



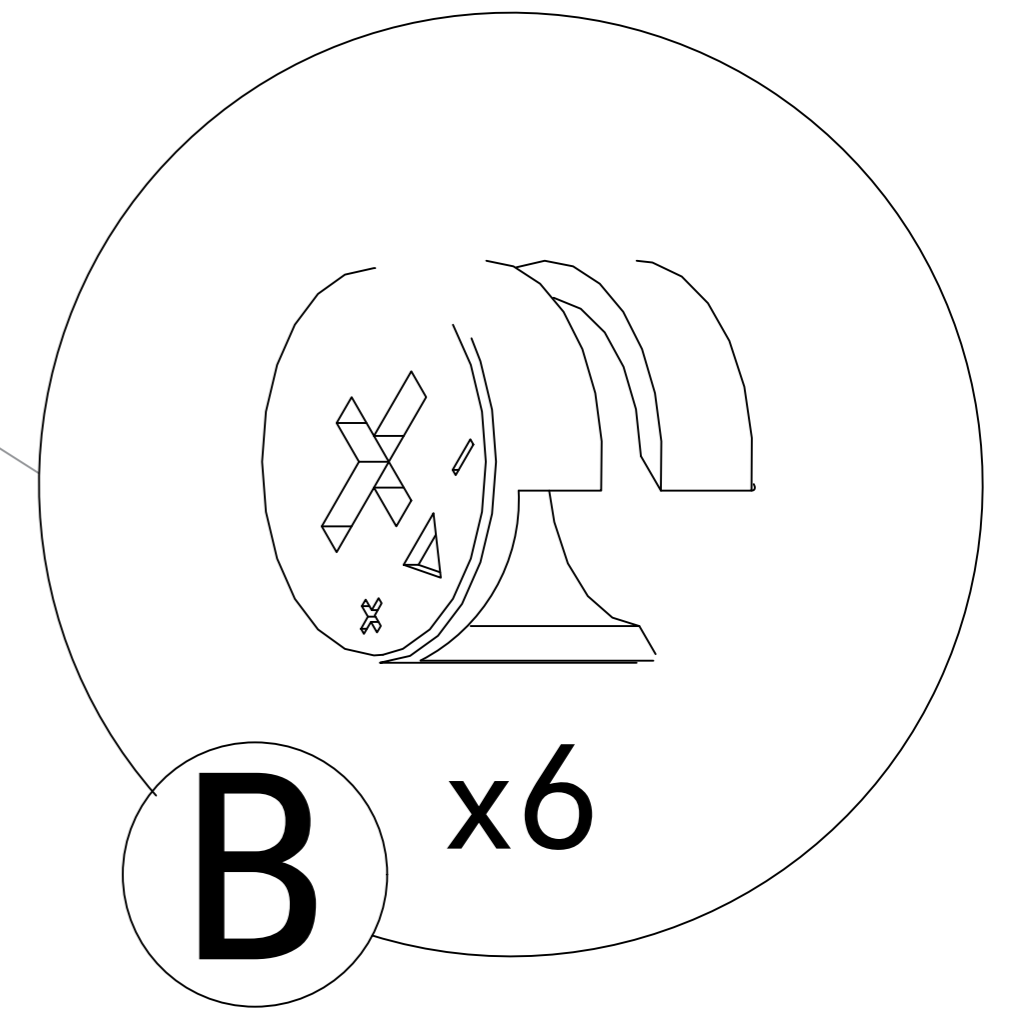
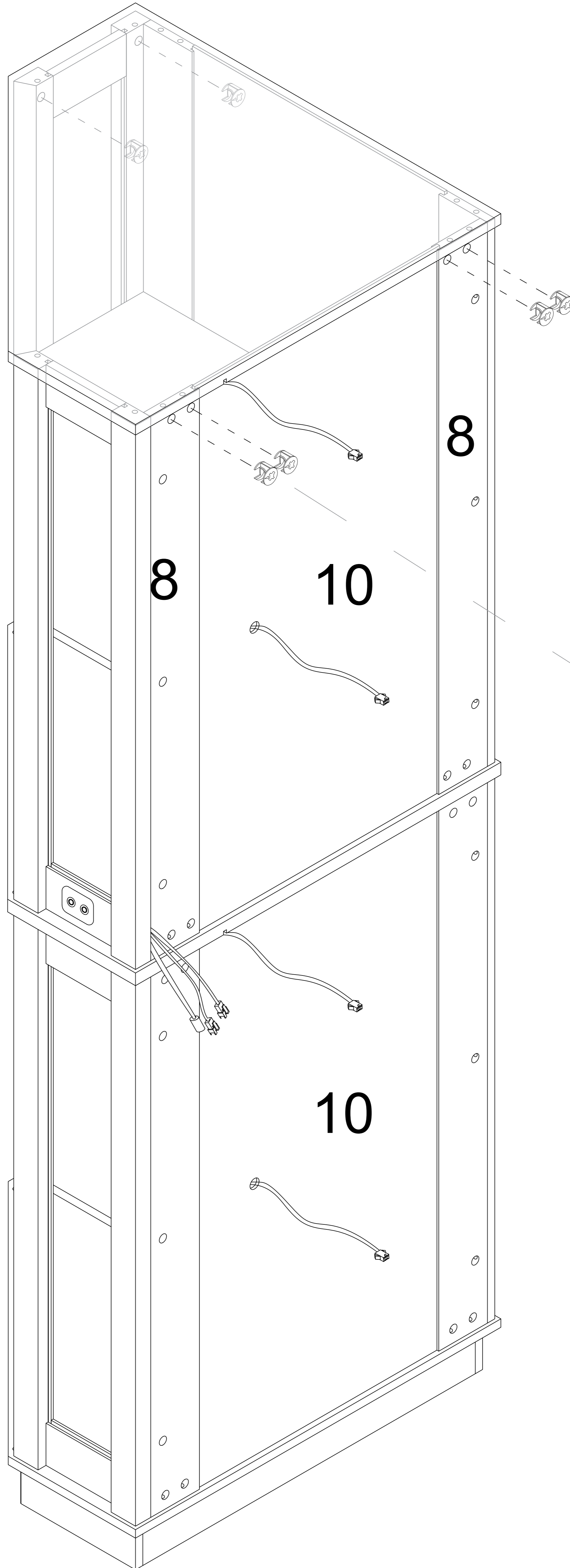
B x6

Step 34

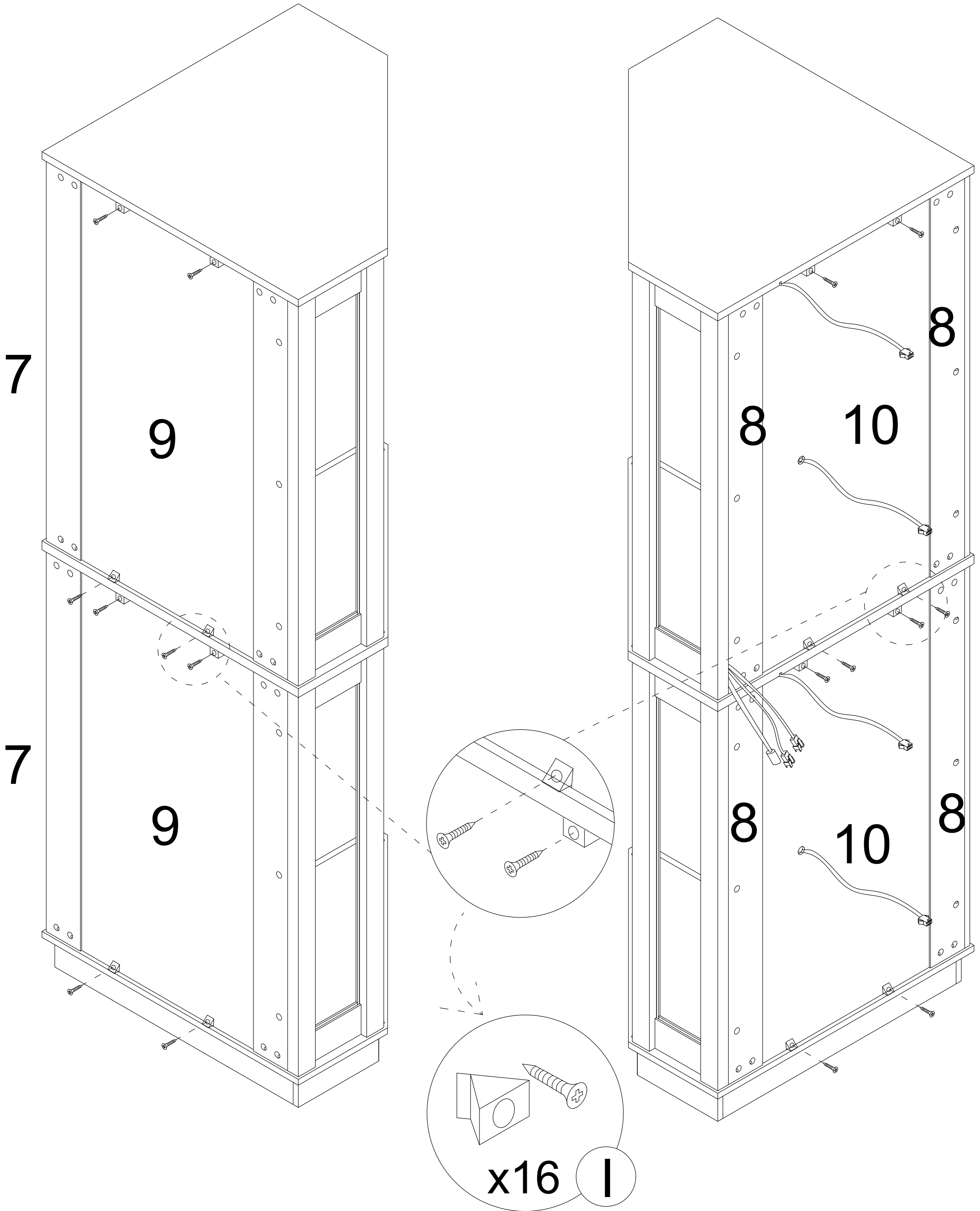
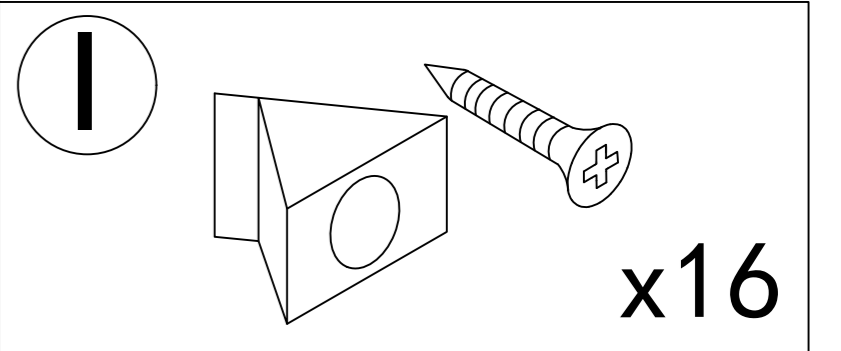
B



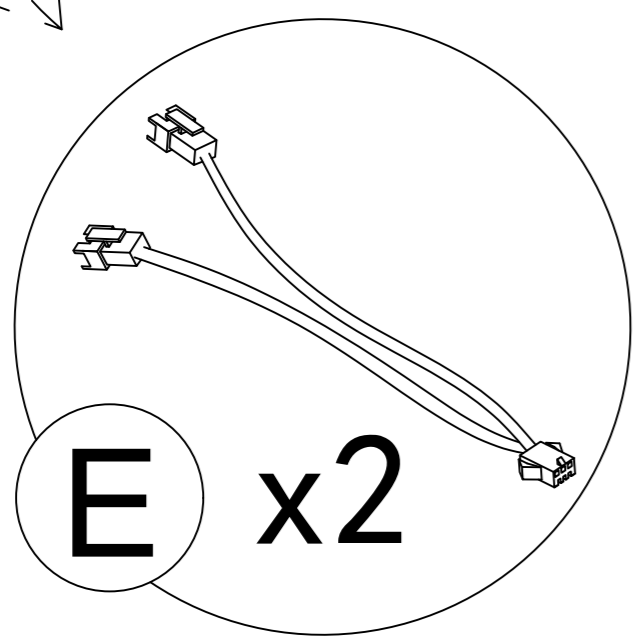
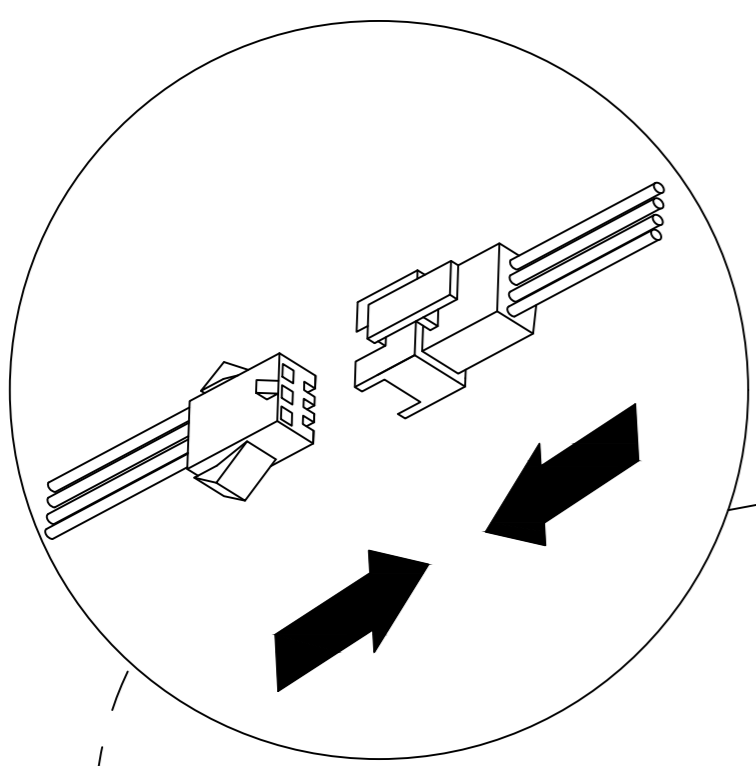
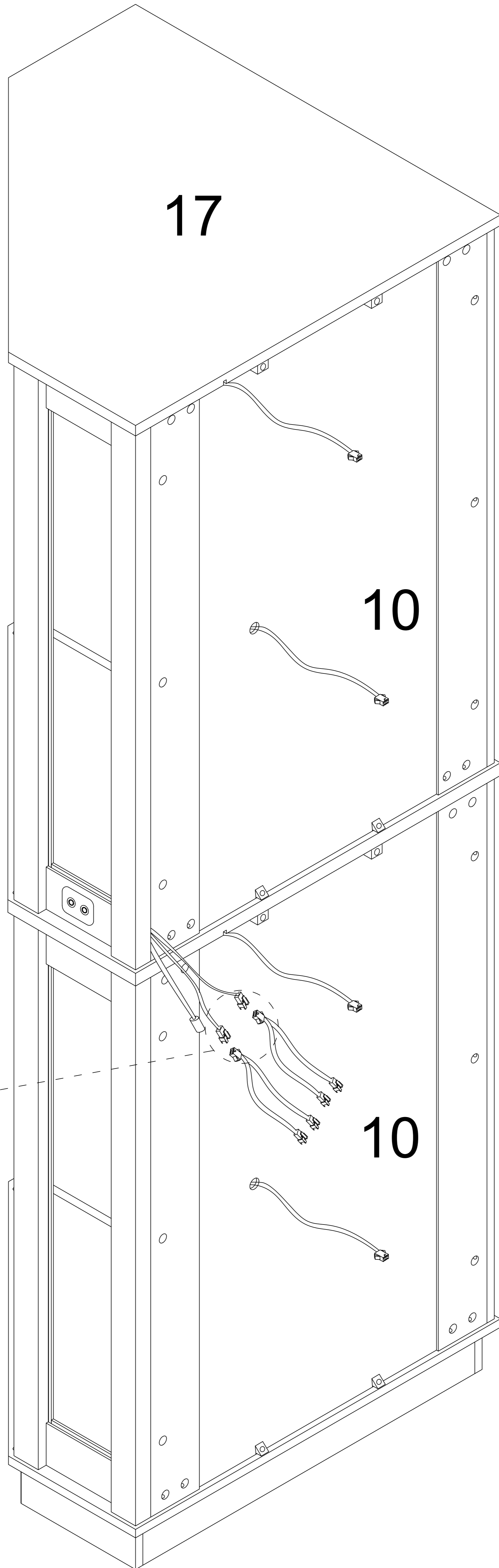
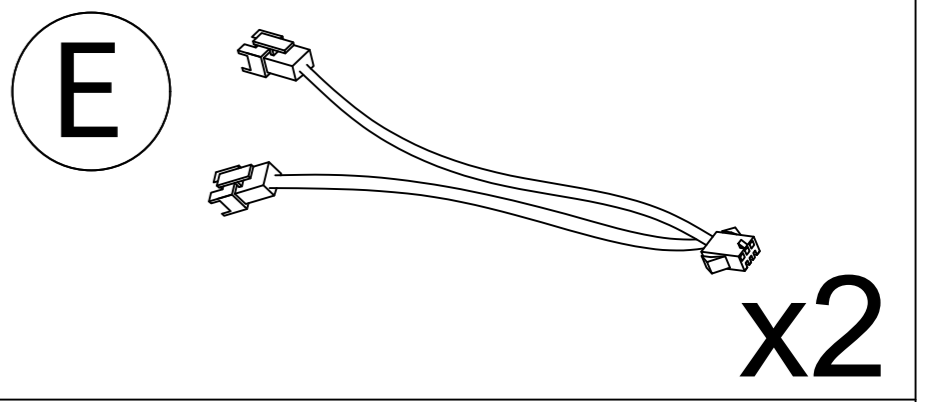
x6



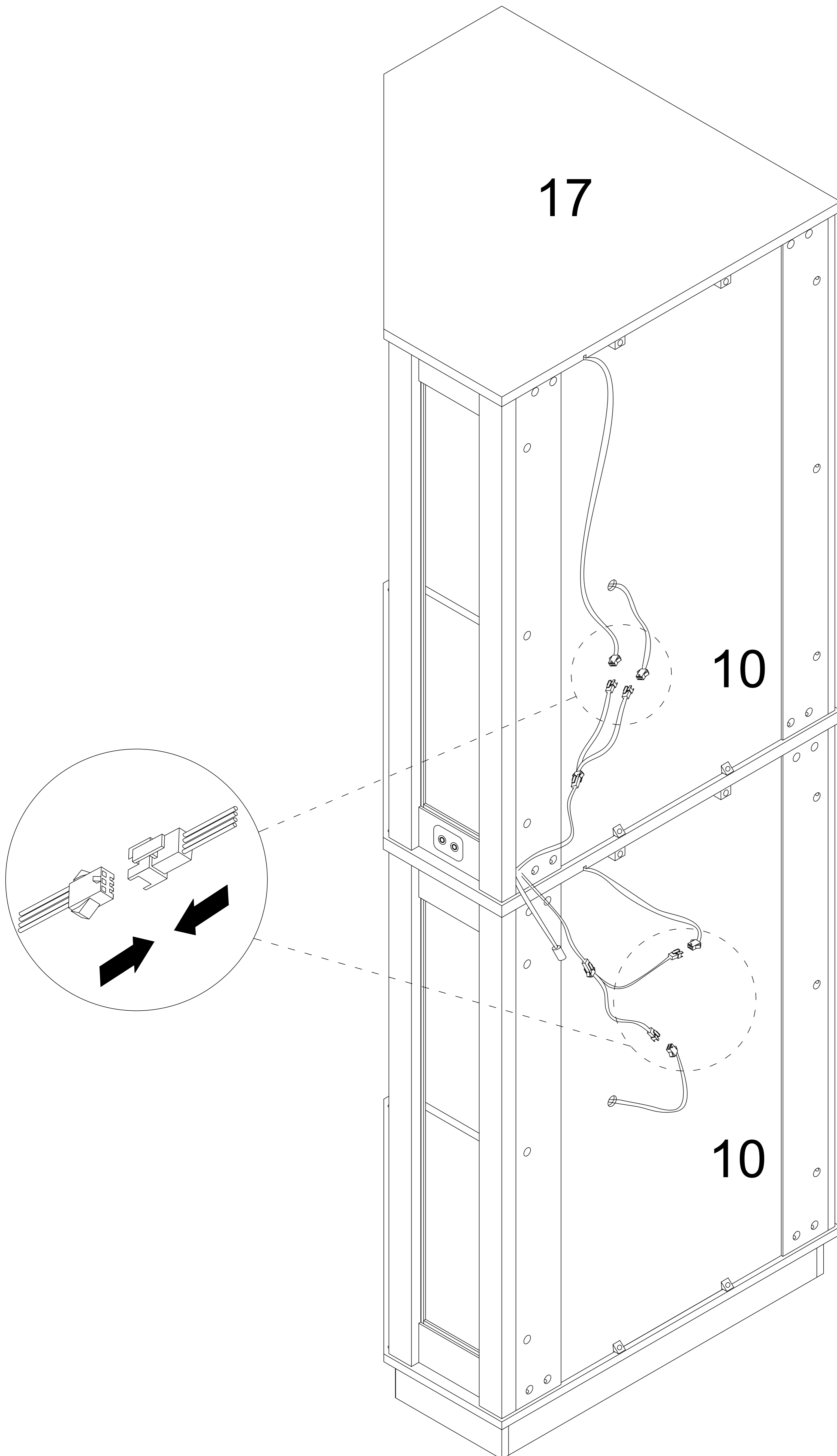
Step 35



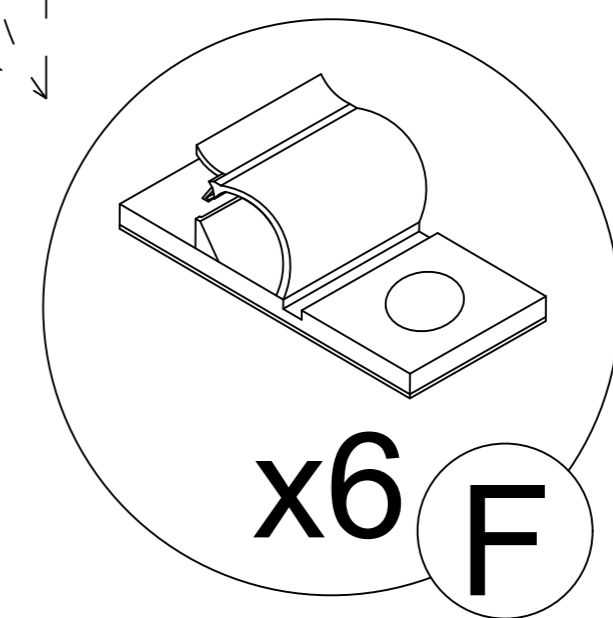
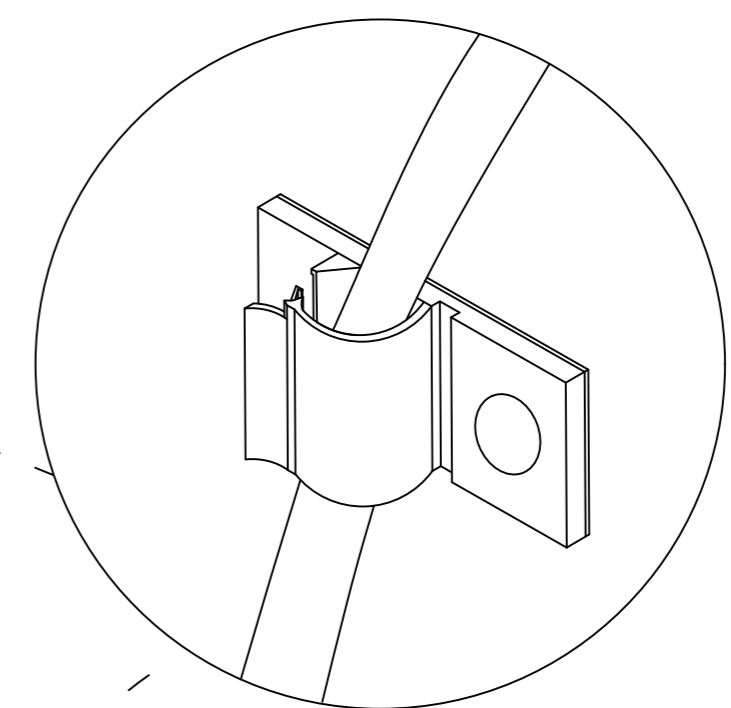
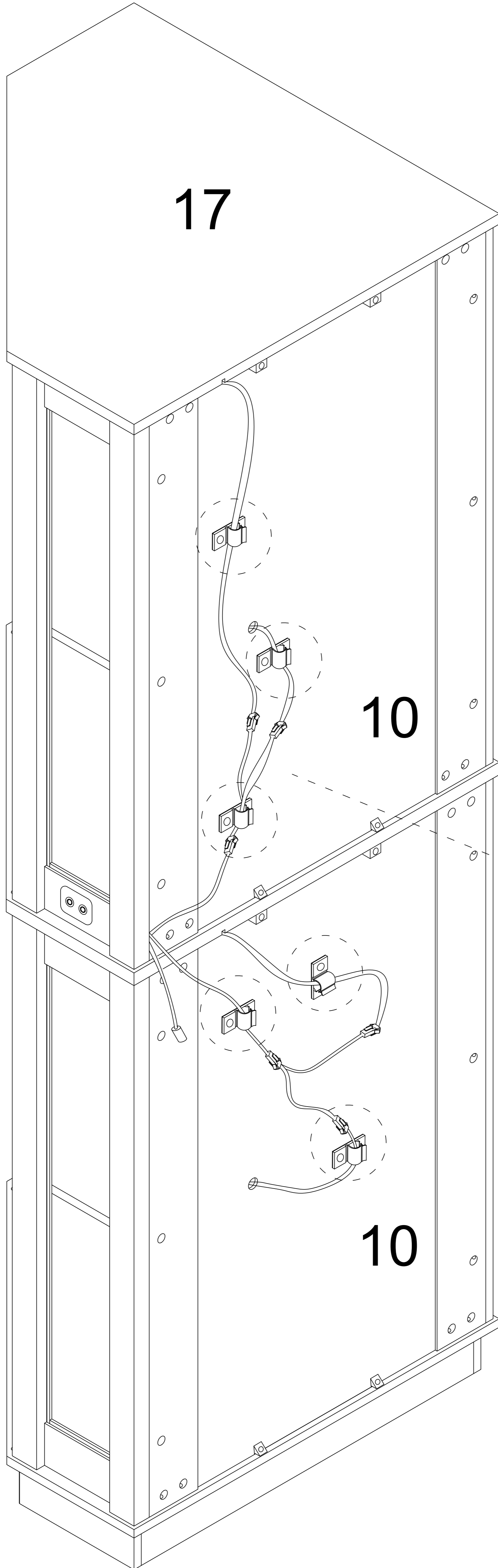
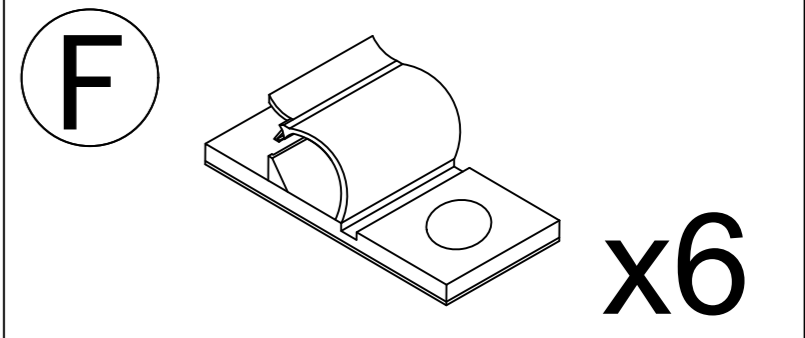
Step 36



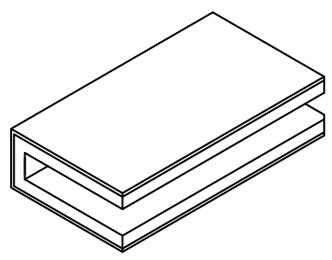
Step 37



Step 38

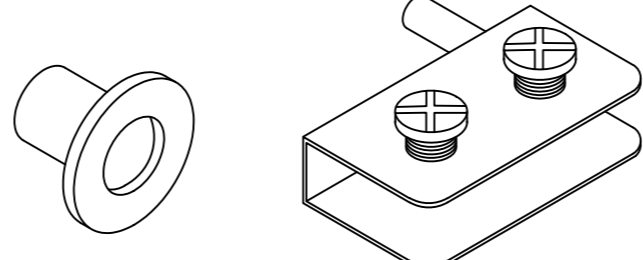


D

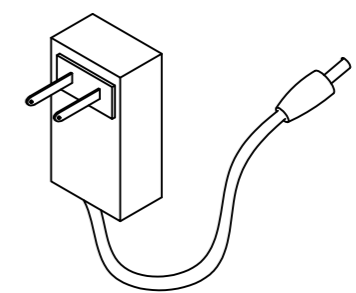


4pcs

G

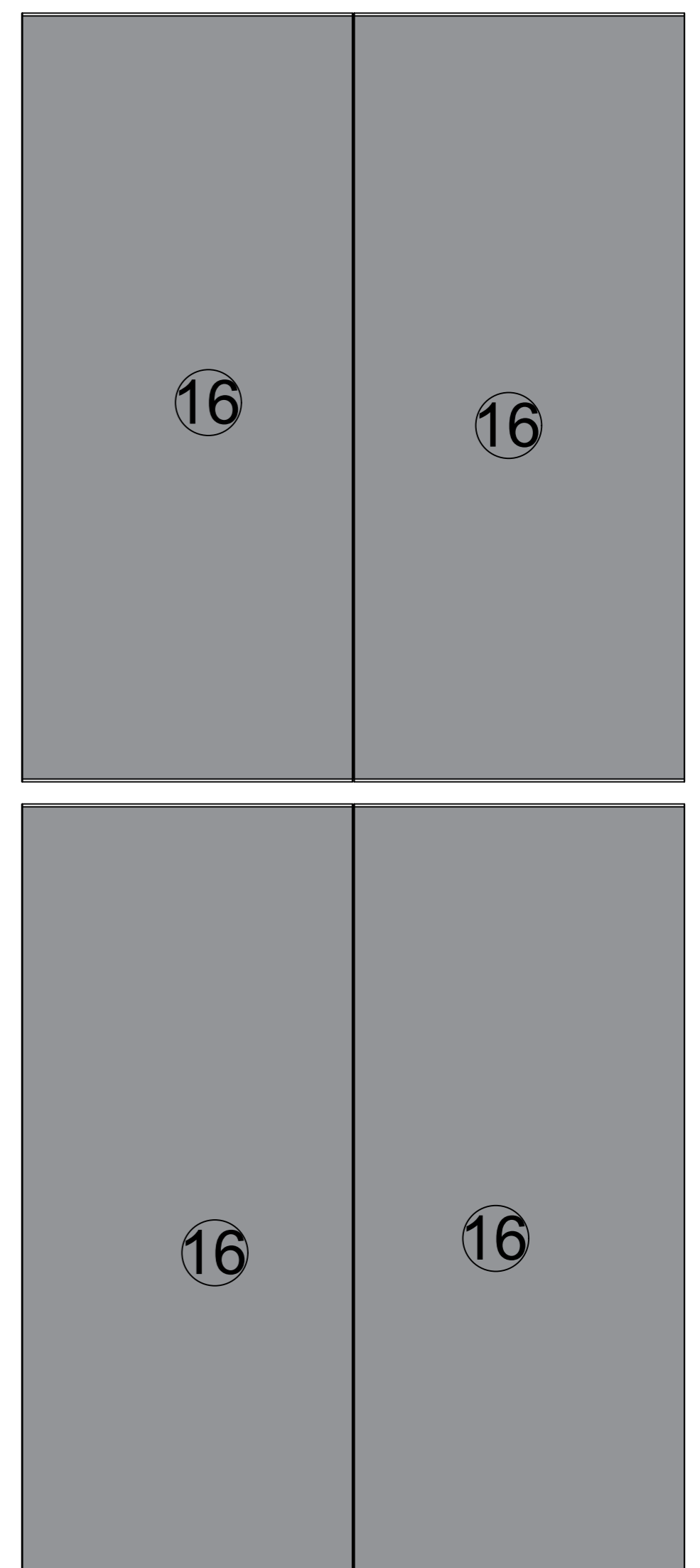
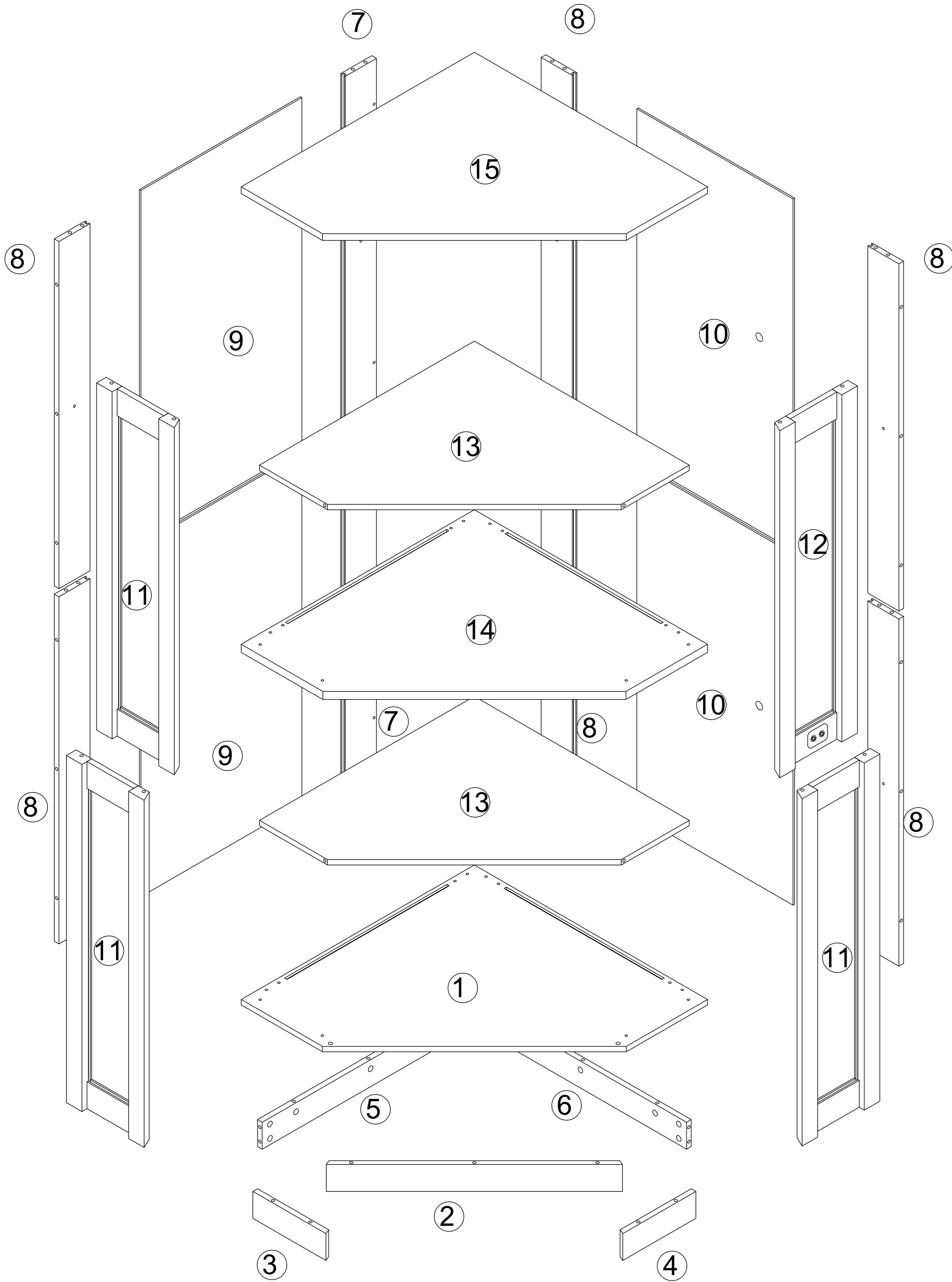
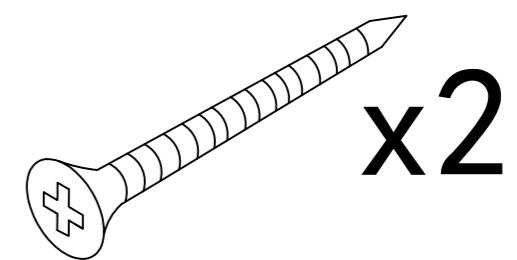
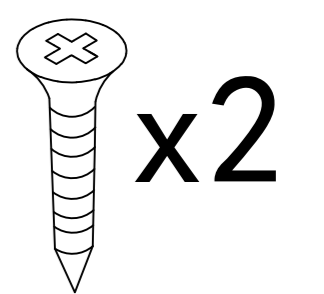
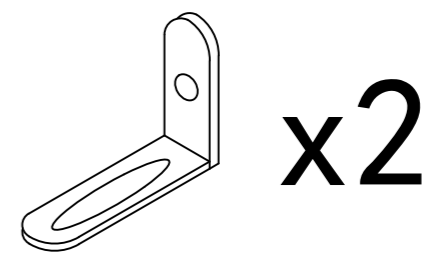


8pcs

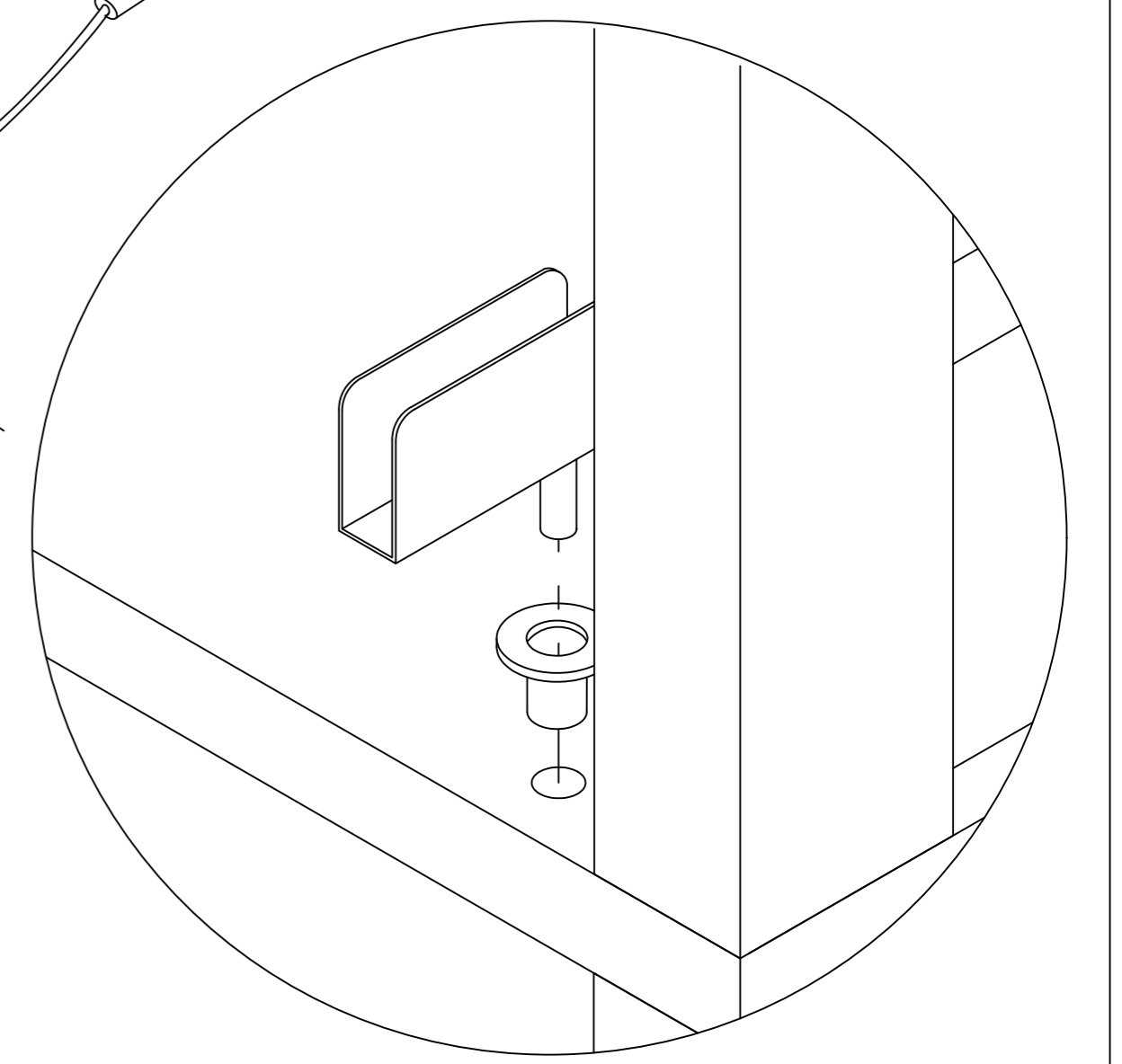
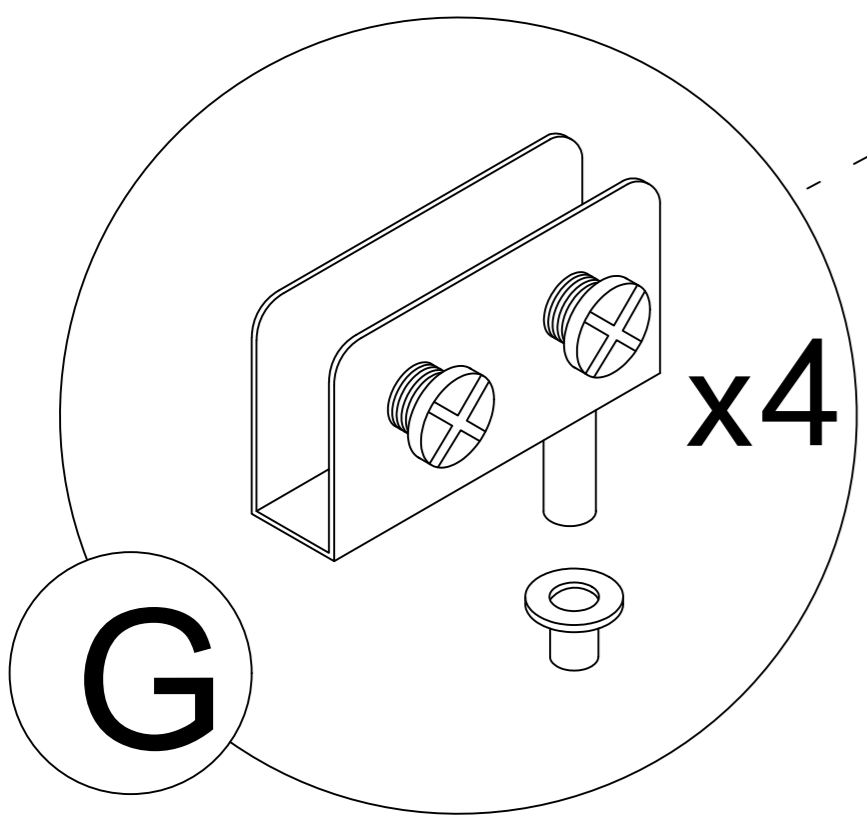
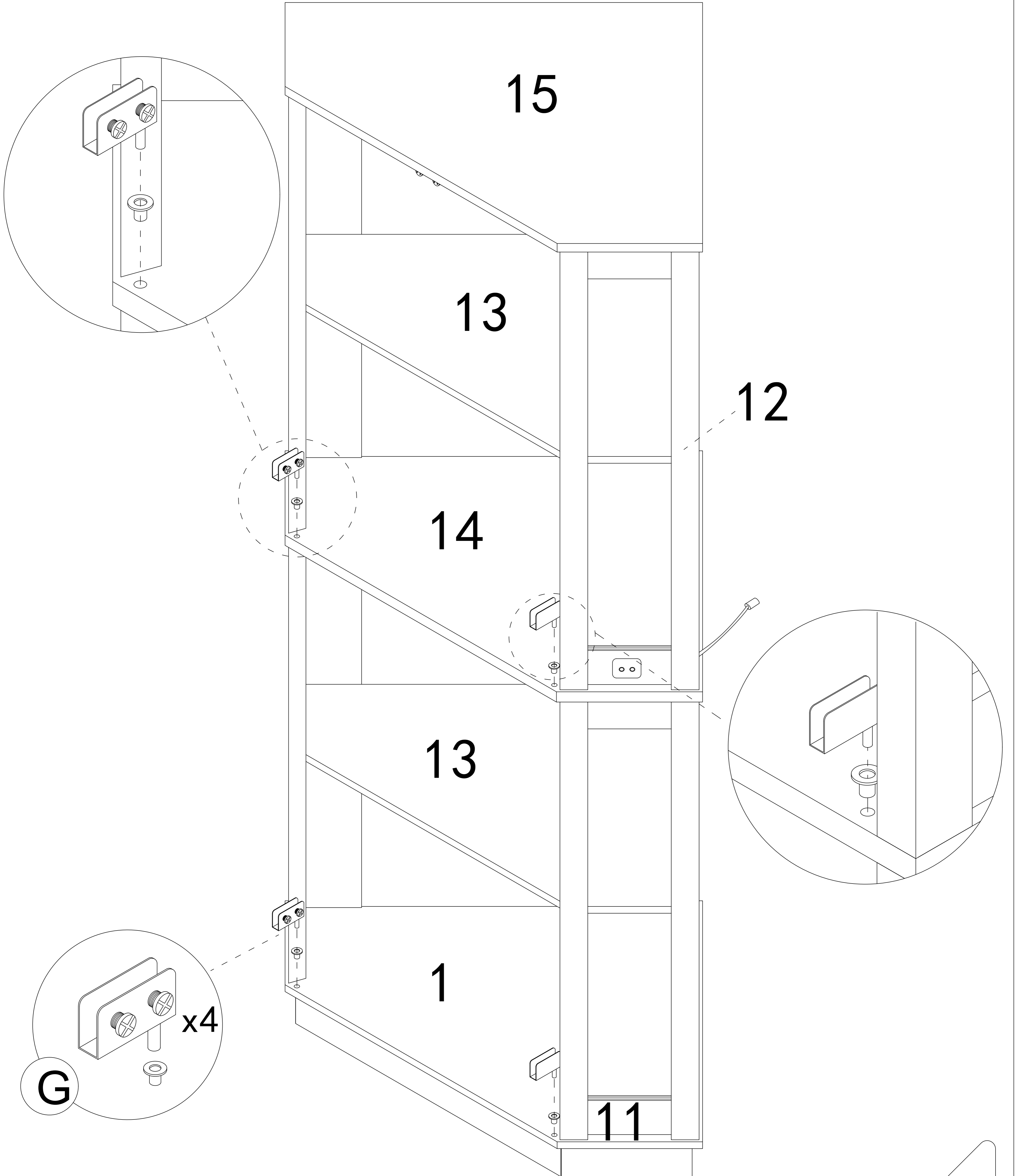
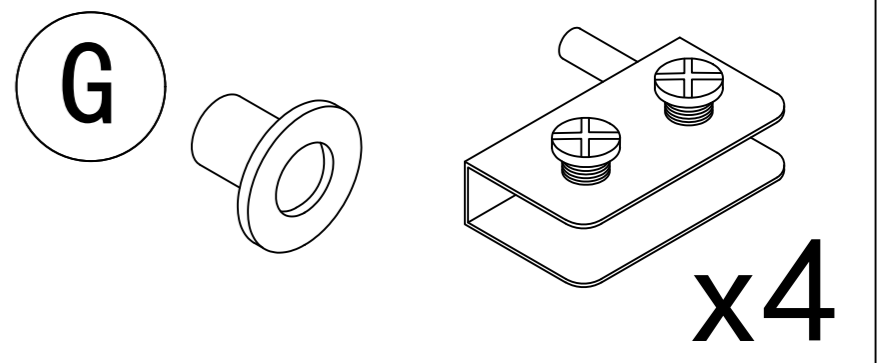


1pcs

H

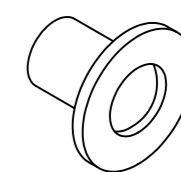


Step 41

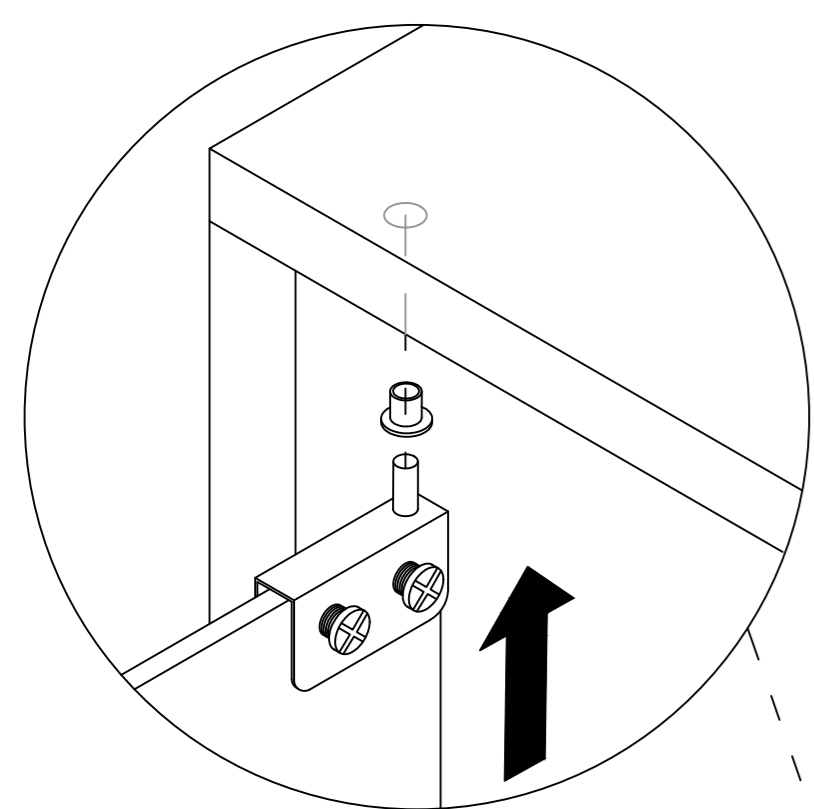


Step 42

G



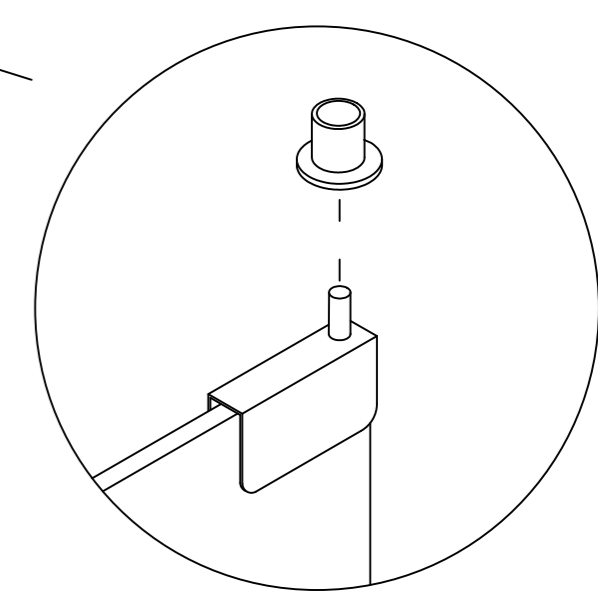
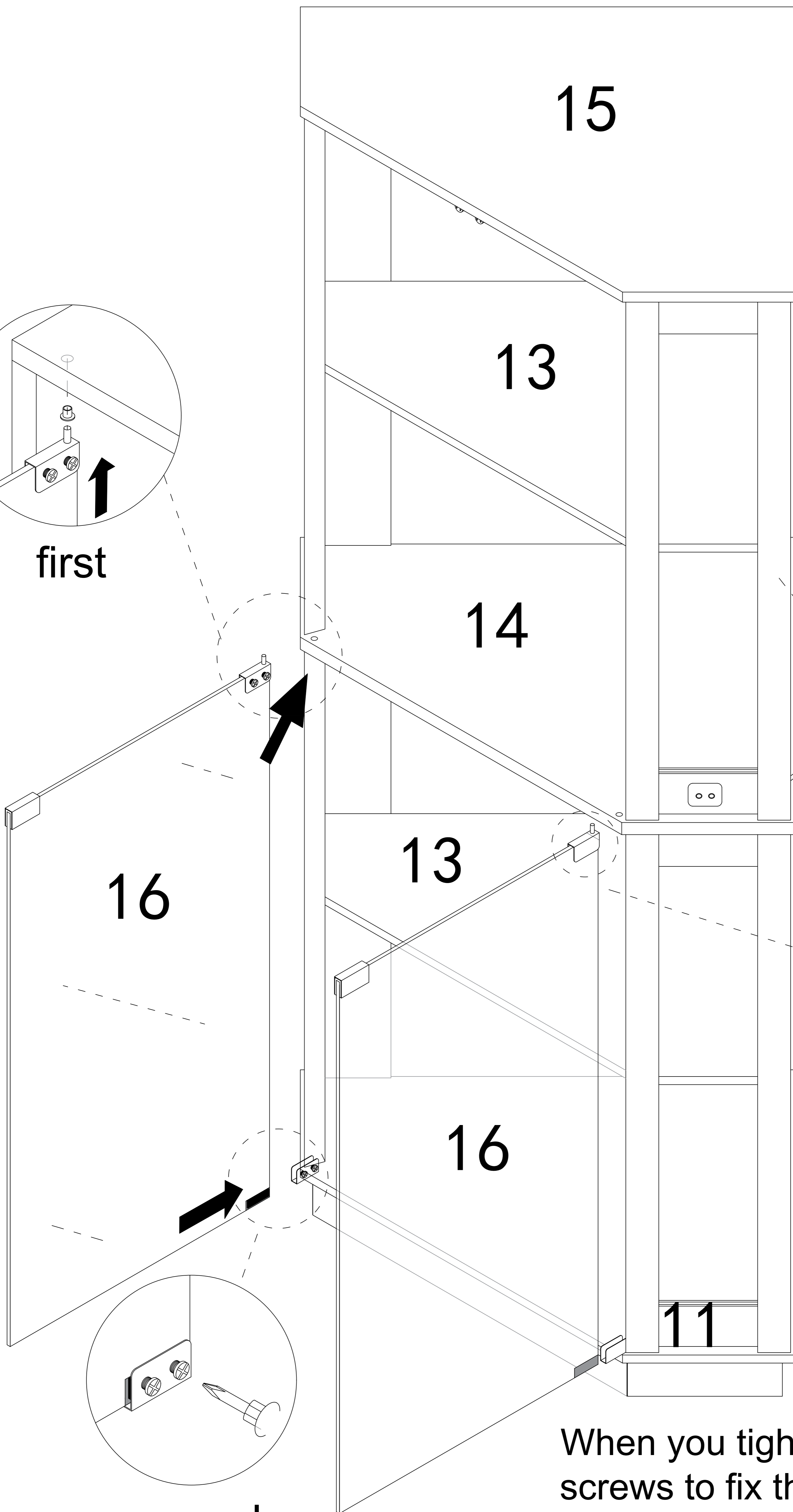
x2



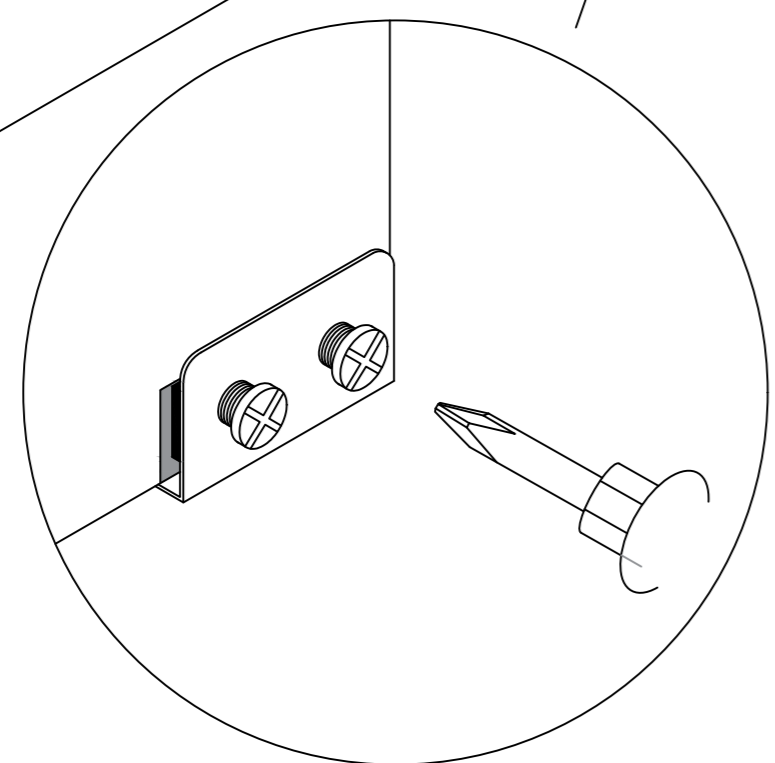
first

When installing a glass door, it is recommended to have two people install it to avoid the glass door colliding or hitting oneself.

12



Pay attention to the direction of the door hinge during installation

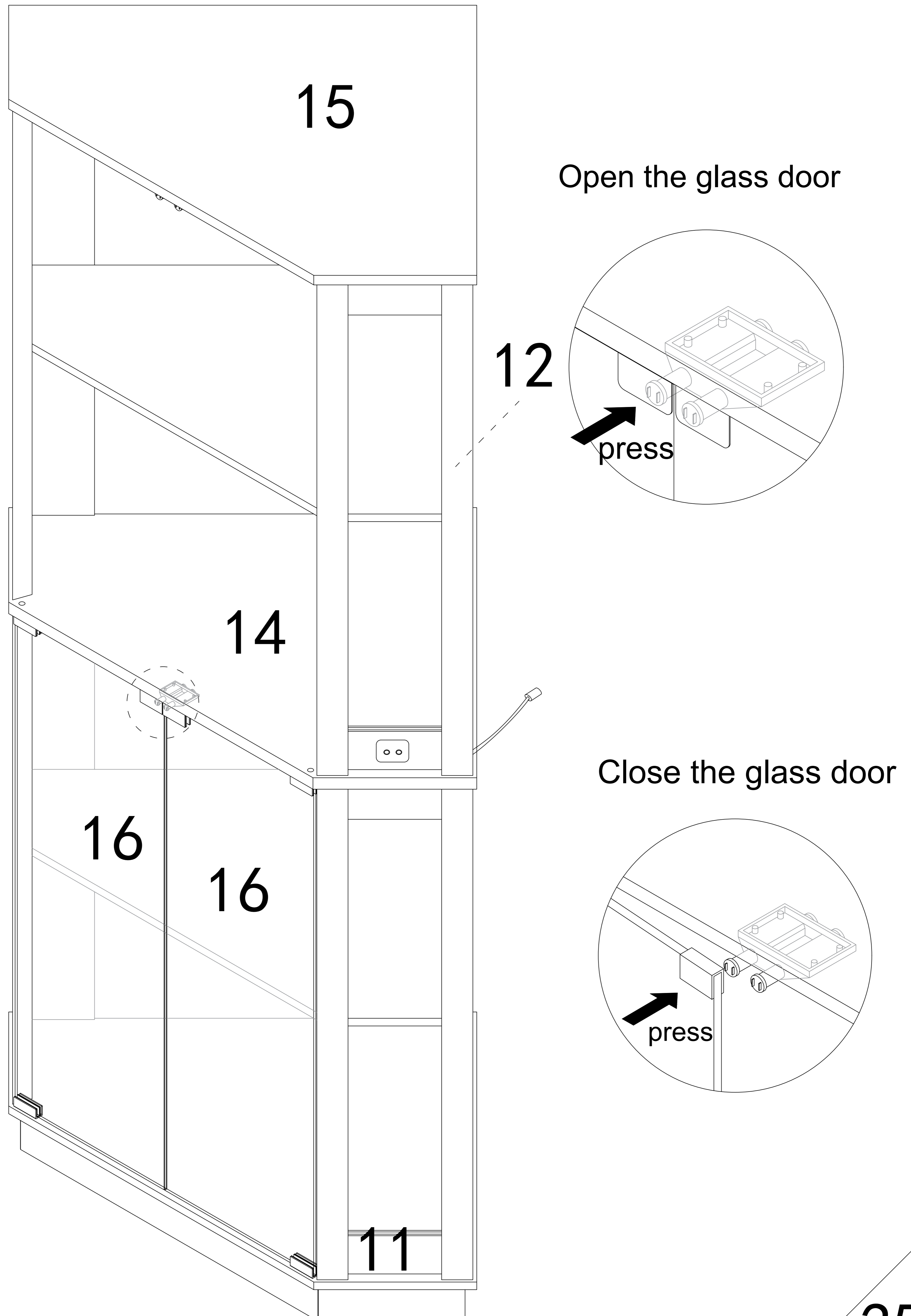


second
Locking screw

When you tighten the screws to fix the glass, be careful not to overtighten and crush the screws

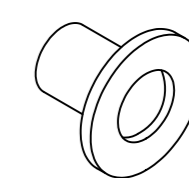
Step 43

The rebound device automatically opens and closes by pressing

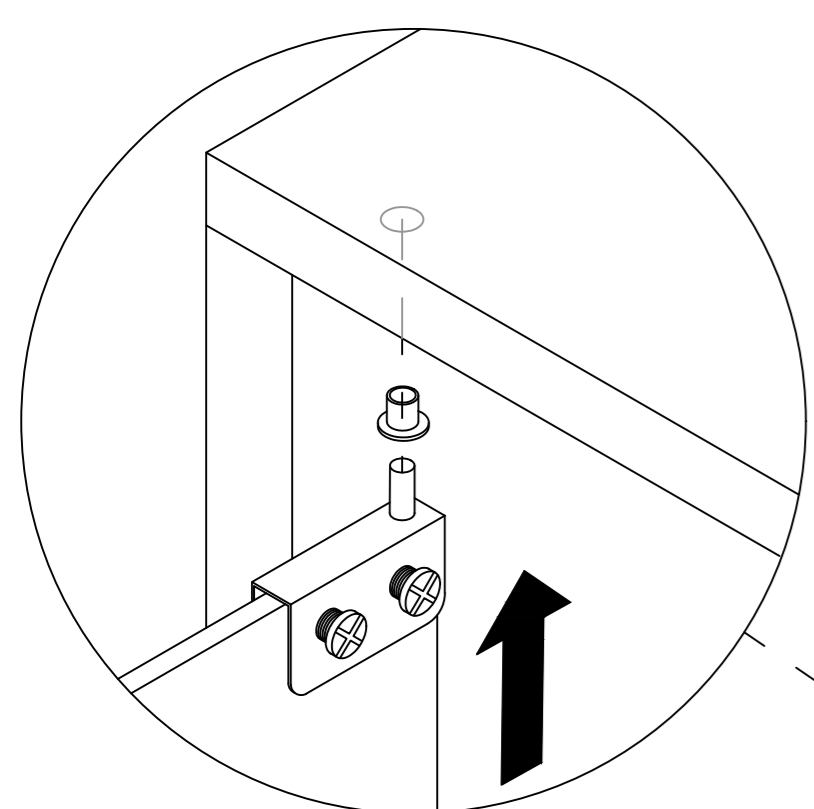


Step 44

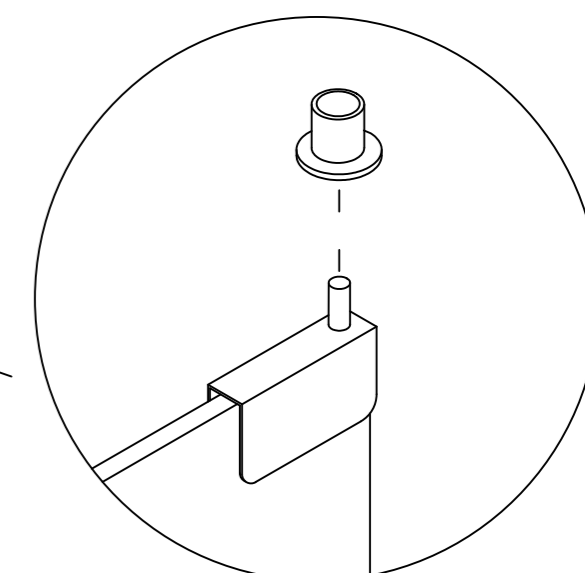
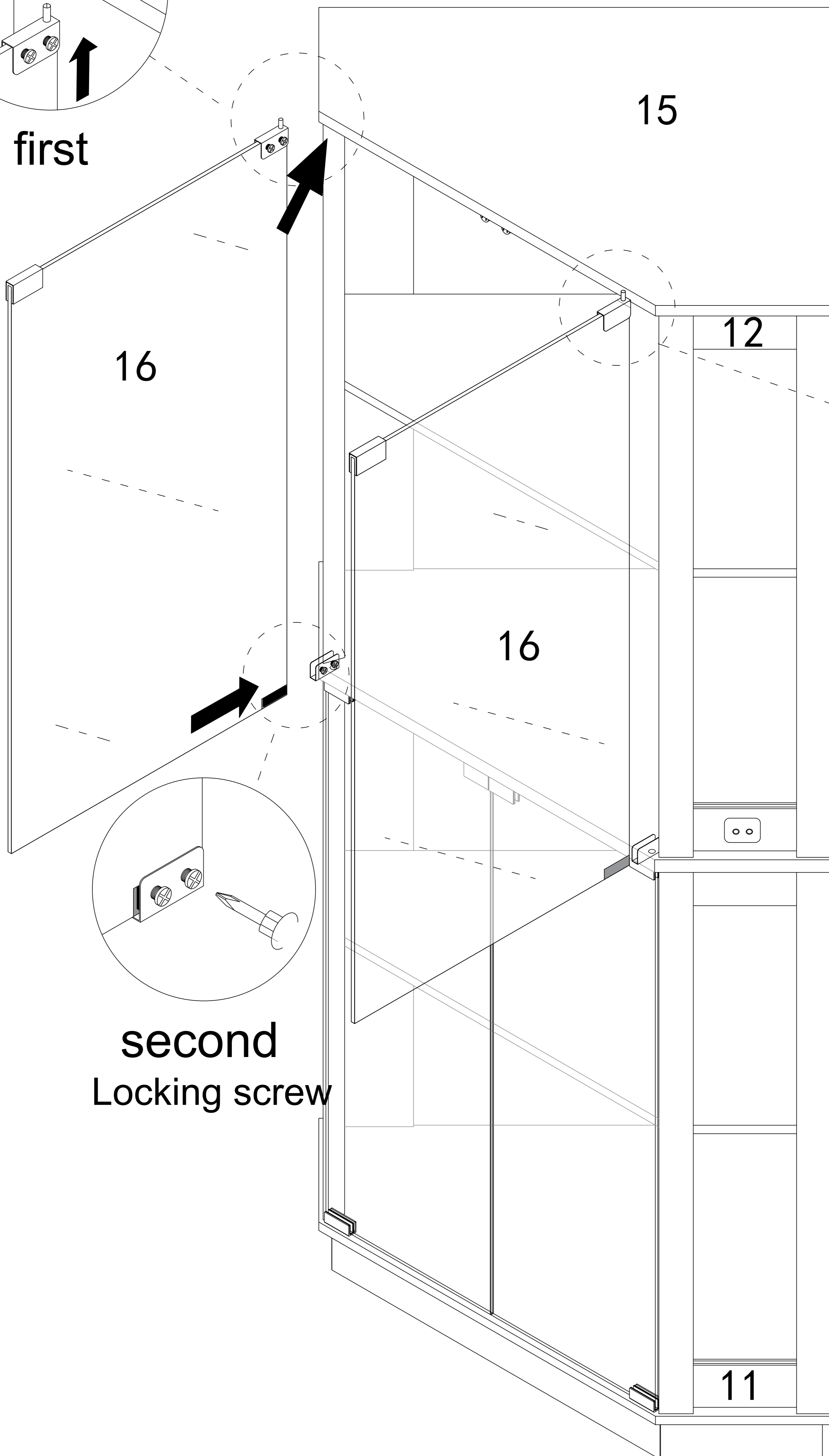
G



x2



first



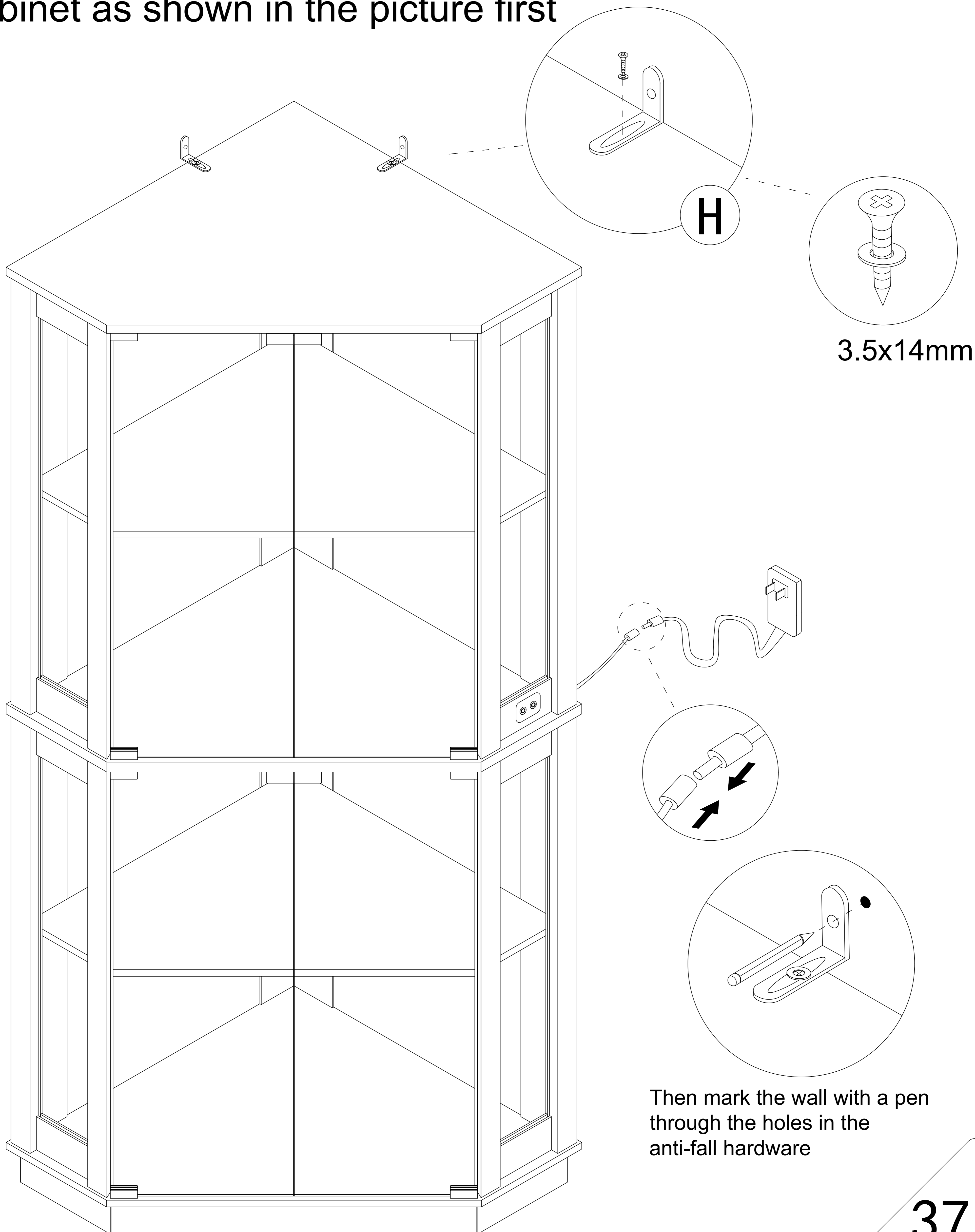
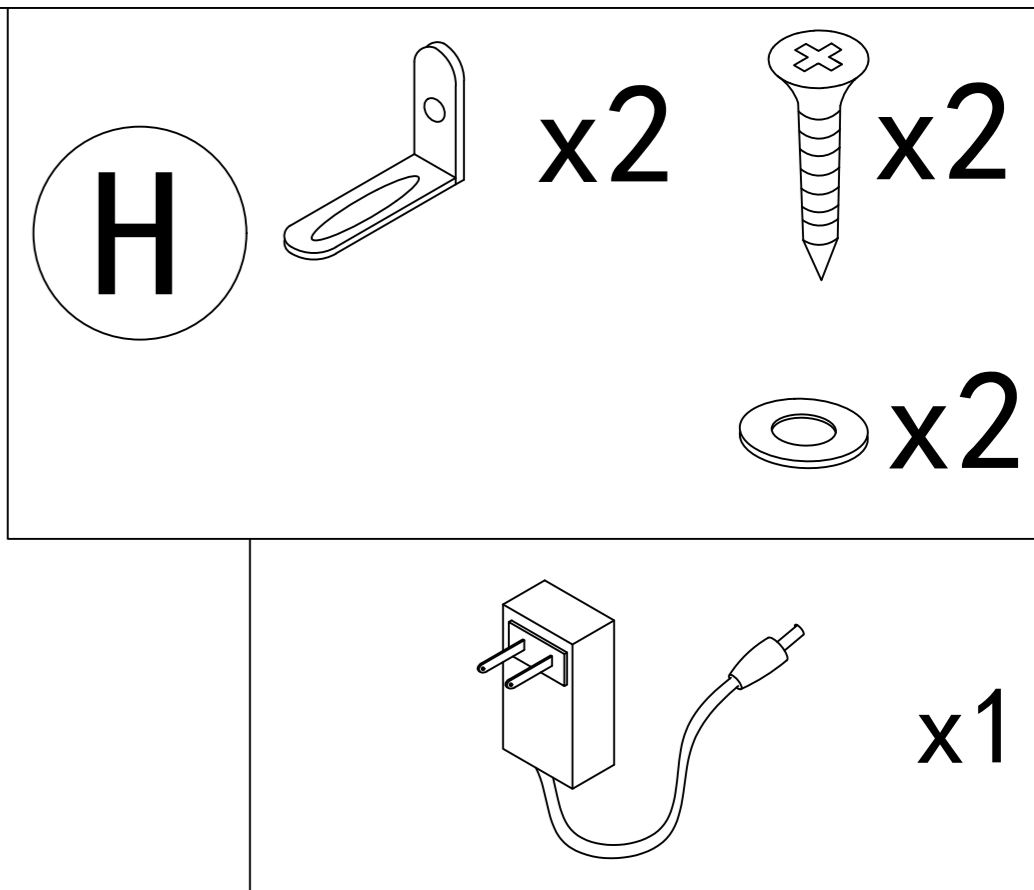
Pay attention to the direction of the door hinge during installation

second
Locking screw

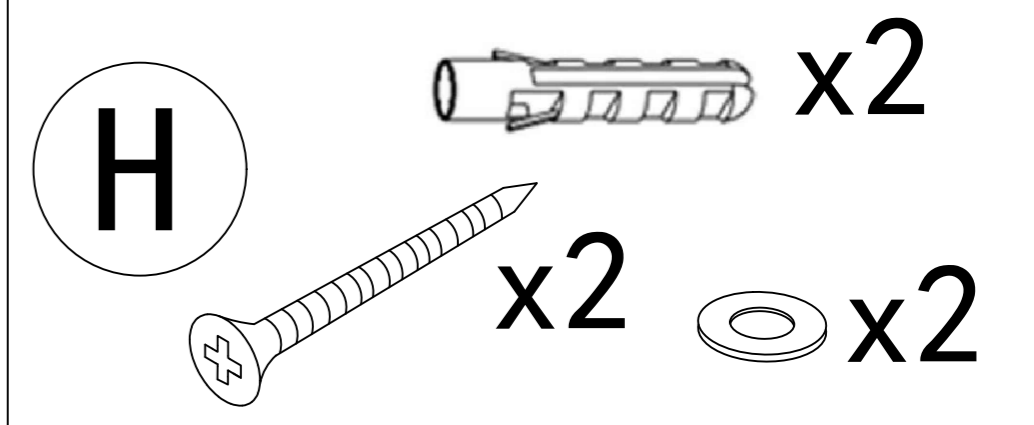
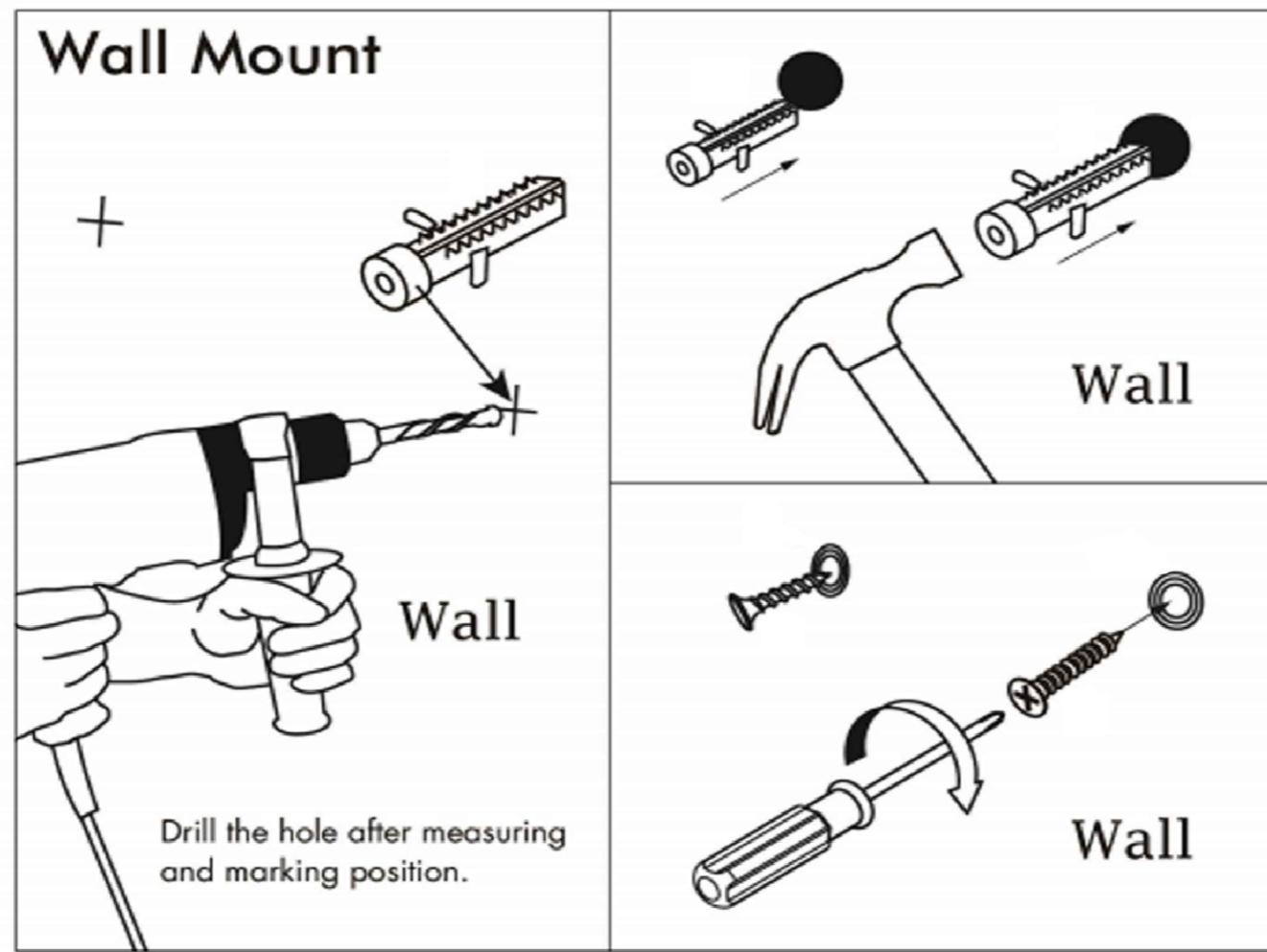
Step 45

Install as required

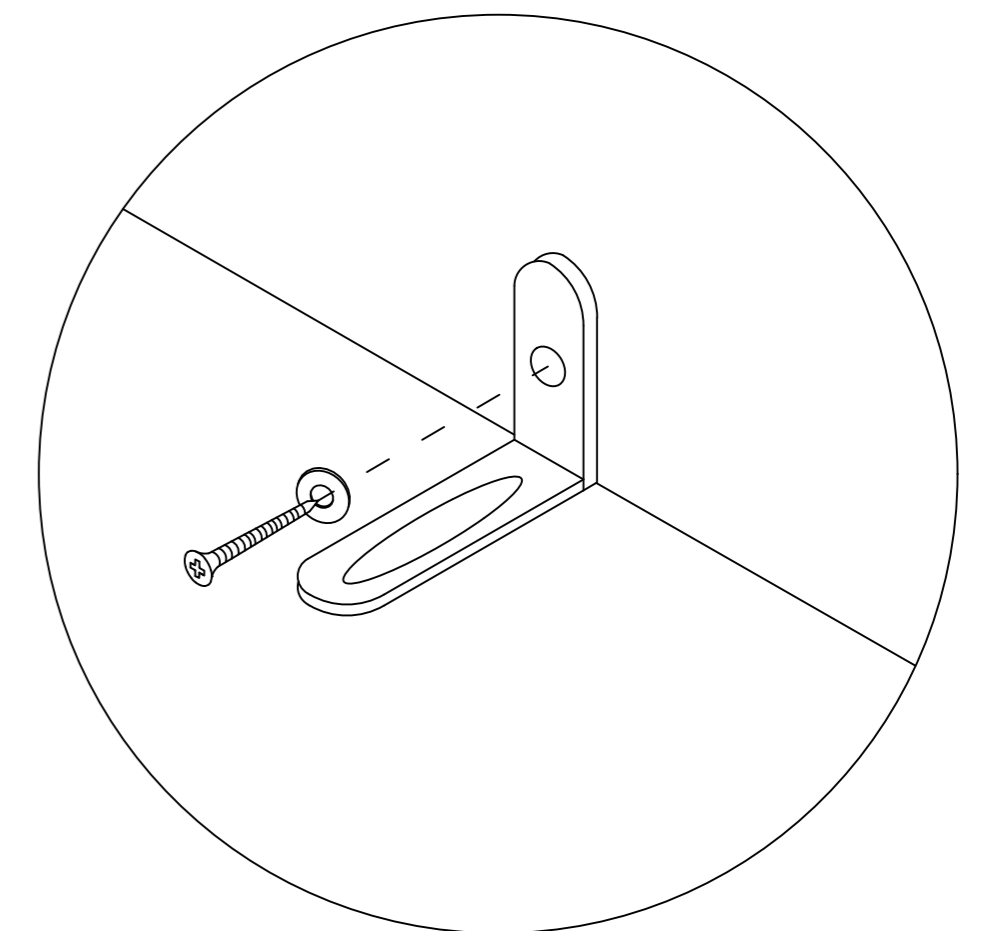
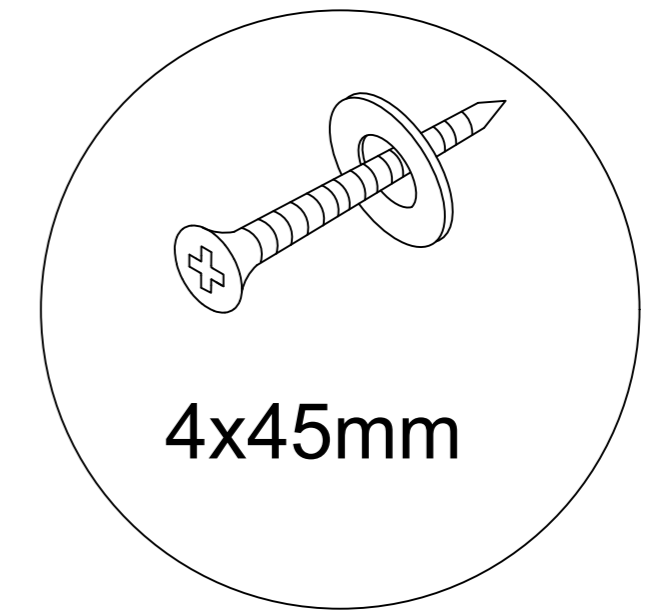
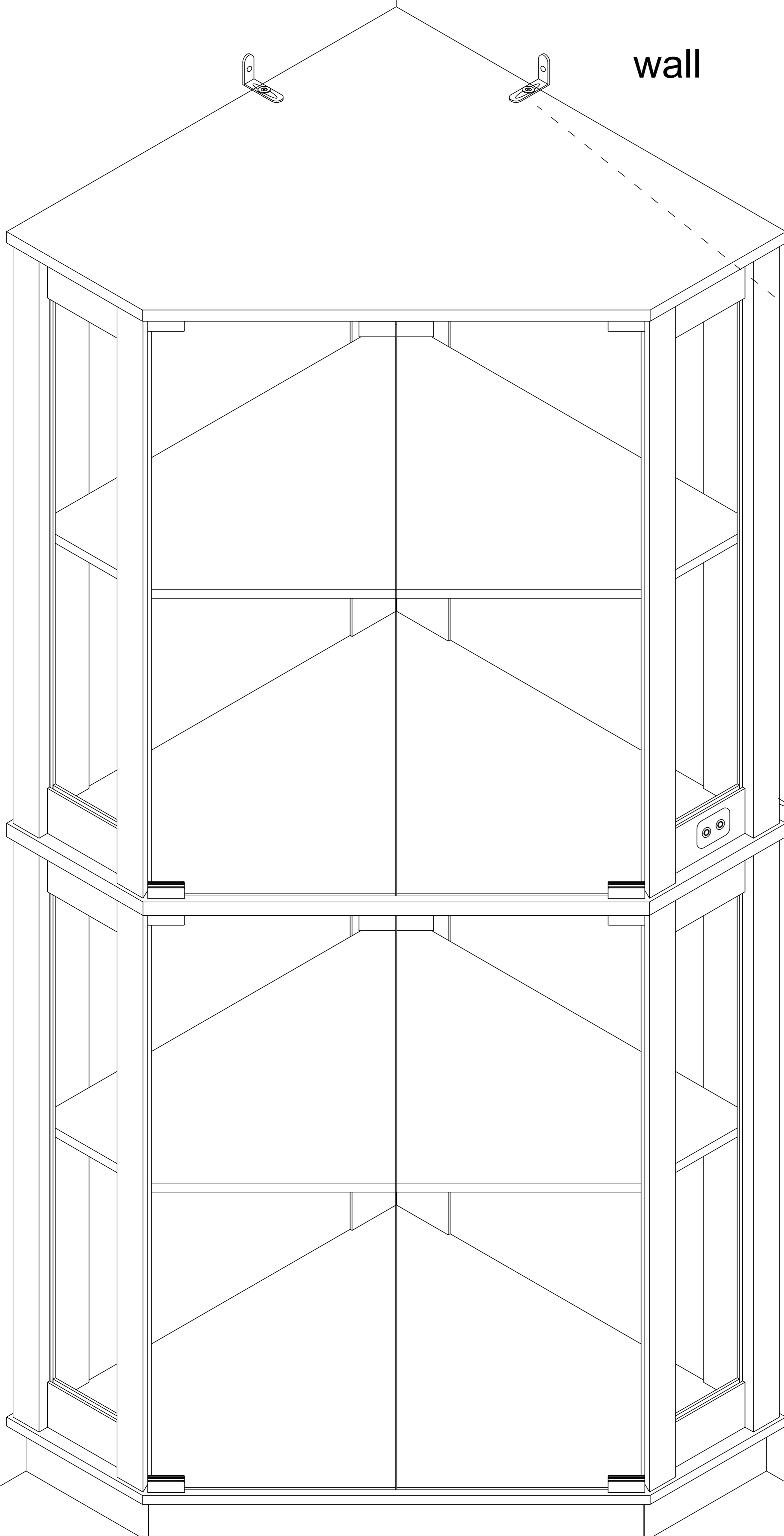
Install the anti fall hardware on the cabinet as shown in the picture first



Step 46



Drill the hole with an electric drill and punch in the colloidal particles



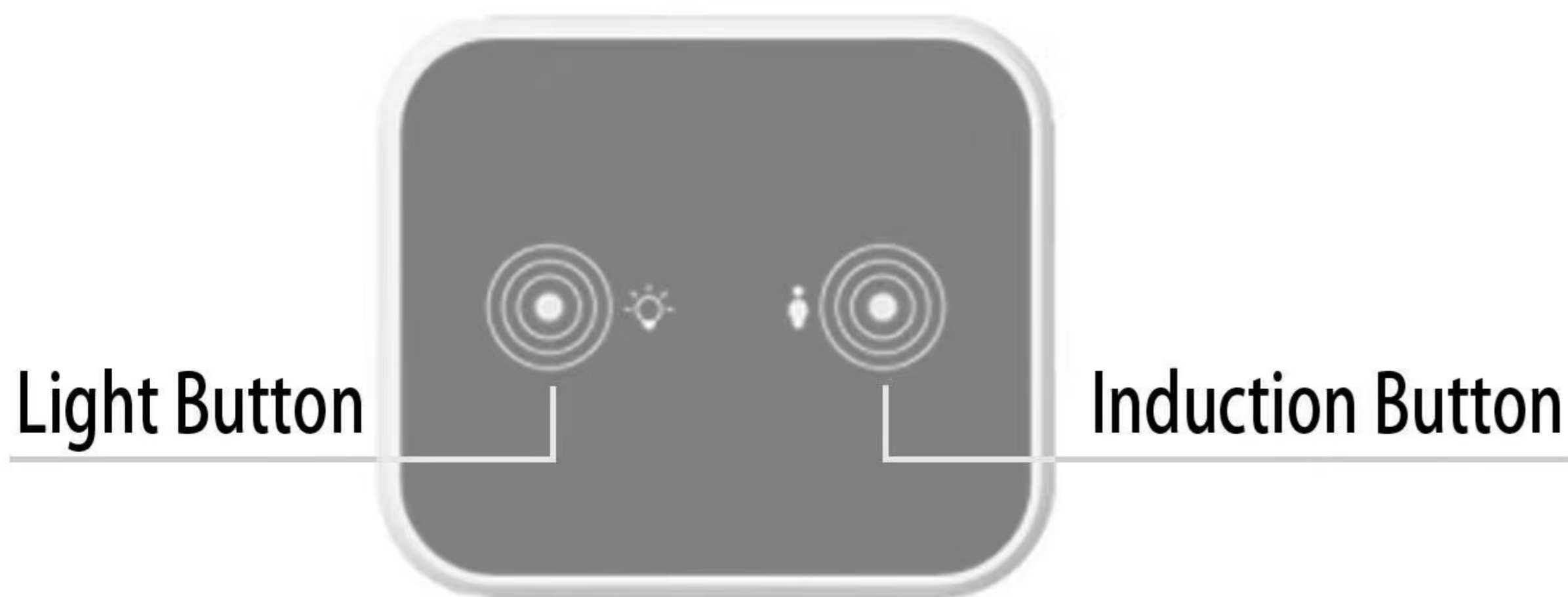
User's Guide

Thank you for purchasing this product. To use this product, please plug it into a 12V DC power supply. Please use if the product works normally after connecting to power.

Introduction

The box is an intelligent controller with 2 touch buttons. It can turn ON/OFF the light, change light colors, and adjust the light luminance.

Product Show



ATTENTION PLEASE

1. If there is no touch response suddenly, Re-plug the power to reset the touch static electricity.
2. If bubbles appear on the panel, remove the protective film.

Operation



This touch button is used to turn on/off, change colors, and adjust brightness.

A. Short touch -> lighting on -> short touch -> change light color -> short touch -> change light color -> short touch -> lighting off. B. Long touch -> adjust the luminance



This touch button is used to turn on/off the induction function.

A. Short touch to turn on the induction function. It can auto-turn on the light when people are close to the controller in 1 meters. It can auto power off the light when the body is far away from the controller after 30 seconds.

B. Long touch to turn off the induction function.

C. Note: When you touch the light button to change the light modes, the induction function will automatically turn off. It is best to turn on this function after selecting the light color and adjusting the brightness you want.